

FIG. A

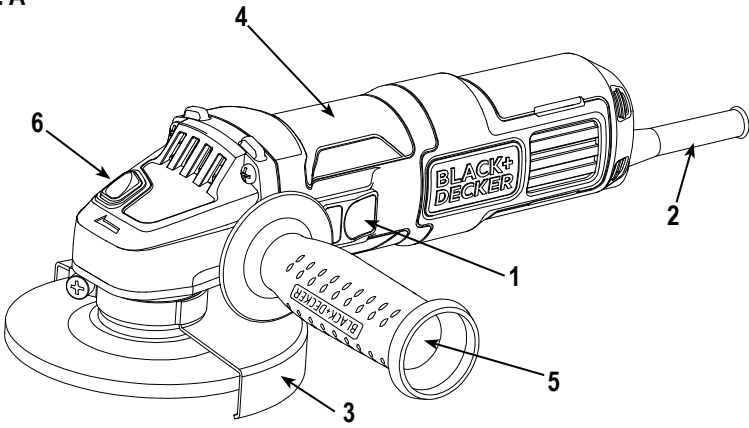


FIG. B

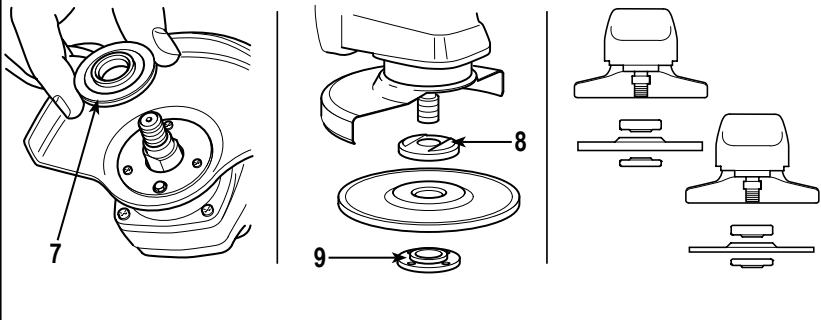


FIG. C

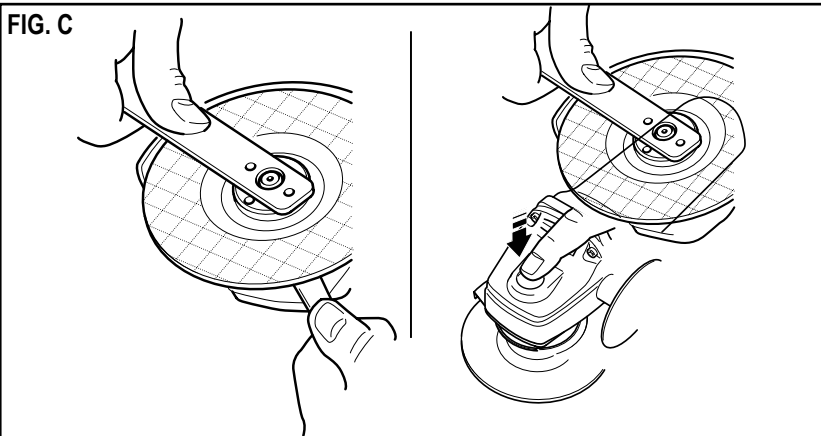


FIG. D

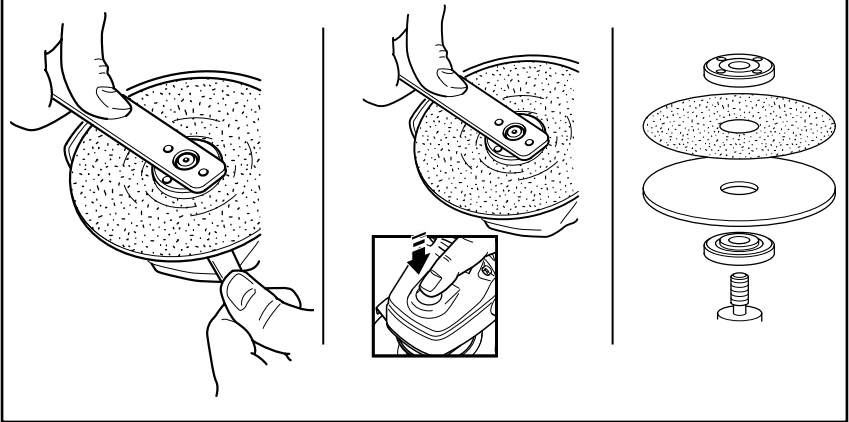
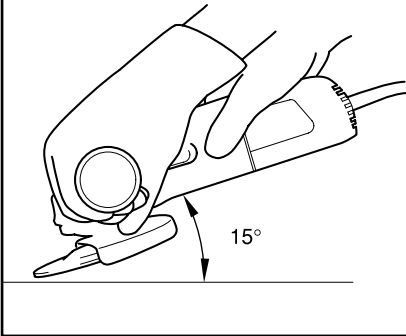


FIG. E



## Intended use

Your BLACK+DECKER™ G650 angle grinder has been designed for grinding metal using the appropriate type of grinding disc. This tool is intended for consumer use only.

**DO NOT RETURN THIS PRODUCT TO THE STORE,** first contact your local BLACK+DECKER office or nearest authorized service center.

## GENERAL SAFETY RULES



**Warning!** Read and understand all instructions. Failure to follow all instructions listed below, may result in electric shock, fire and/or serious personal injury.

## SAVE THESE INSTRUCTIONS

### SAFETY INSTRUCTIONS

#### General power tool safety warnings.

**Warning! Read all safety warnings and all instructions.** Failure to follow the warnings and instructions listed below may result in electric shock, fire and/or serious injury.

**Save all warnings and instructions for future reference.** The term “power tool” in all of the warnings listed below refers to your mains operated (corded) power tool or battery operated (cordless) power tool.

#### 1. Work Area Safety

- a. **Keep work area clean and well lit.**  
Cluttered and dark areas invite accidents.
- b. **Do not operate power tools in explosive atmospheres, such as in the presence of flammable liquids, gases or dust.** Power tools create sparks which may ignite the dust or fumes.
- c. **Keep children and bystanders away while operating a power tool.**  
Distractions can cause you to lose control.

#### 2. Electrical Safety

- a. **Power tool plugs must match the outlet. Never modify the plug in any way. Do not use any adapter plugs with earthed (grounded) power tools.** Unmodified plugs and matching outlets will reduce risk of electric shock.

- b. **Avoid body contact with earthed or grounded surfaces such as pipes, radiators, ranges and refrigerators.** There is an increased risk of electric shock if your body is earthed or grounded.
- c. **Do not expose power tools to rain or wet conditions.** Water entering a power tool will increase the risk of electric shock.
- d. **Do not abuse the cord. Never use the cord for carrying, pulling or unplugging the power tool. Keep cord away from heat, oil, sharp edges or moving parts.** Damaged or entangled cords increase the risk of electric shock.
- e. **When operating a power tool outdoors, use an extension cord suitable for outdoor use.** Use of a cord suitable for outdoor use reduces the risk of electric shock.
- f. **If operating a power tool in a damp location is unavoidable, use a residual current device (RCD) protected supply.** Use of an RCD reduces the risk of electric shock. **Note:** The term “Residual Current Device (RCD)” can be replaced by “Ground Fault Circuit Interrupter (GFCI)” or by “Earth Leakage Circuit Breaker (ELCB)”.

#### 3. Personal Safety

- a. **Stay alert, watch what you are doing and use common sense when operating a power tool. Do not use a power tool while you are tired or under the influence of drugs, alcohol or medication.** A moment of inattention while operating power tools may result in serious personal injury.
- b. **Use personal protective equipment. Always wear eye protection.** Protective equipment such as dust mask, non-skid safety shoes, hard hat, or hearing protection used for appropriate conditions will reduce personal injuries.
- c. **Prevent unintentional starting. Ensure the switch is in the off-position before connecting to power source and/or battery pack, picking up or carrying the tool.** Carrying power tools with your finger on the switch or energising power tools that have the switch on invites accidents.

- d. **Remove any adjusting key or wrench before turning the power tool on.** A wrench or a key left attached to a rotating part of the power tool may result in personal injury.
- e. **Do not overreach. Keep proper footing and balance at all times.** This enables better control of the power tool in unexpected situations.
- f. **Dress properly. Do not wear loose clothing or jewellery. Keep your hair, clothing and gloves away from moving parts.** Loose clothes, jewellery or long hair can be caught in moving parts.
- g. **If devices are provided for the connection of dust extraction and collection facilities, ensure these are connected and properly used.** Use of these devices can reduce dust related hazards.

#### 4. Power Tool Use and Care

- a. **Do not force the power tool. Use the correct power tool for your application.** The correct power tool will do the job better and safer at the rate for which it was designed.
- b. **Do not use the power tool if the switch does not turn it on and off.** Any power tool that cannot be controlled with the switch is dangerous and must be repaired.
- c. **Disconnect the plug from the power source and/or the battery pack from the power tool before making any adjustments, changing accessories, or storing power tools.** Such preventive safety measures reduce the risk of starting the power tool accidentally.
- d. **Store idle power tools out of the reach of children and do not allow persons unfamiliar with the power tool or these instructions to operate the power tool.** Power tools are dangerous in the hands of untrained users.
- e. **Maintain power tools. Check for misalignment or binding of moving parts, breakage of parts and any other condition that may affect the power tools operation. If damaged, have the power tool repaired before use.** Many accidents are caused by poorly maintained power tools.
- f. **Keep cutting tools sharp and clean.** Properly maintained cutting tools with sharp cutting edges are less likely to bind and are easier to control.
- g. **Use the power tool, accessories and tool bits etc., in accordance with these instructions, taking into account the working conditions and the work to be performed.** Use of the power tool for operations different from those intended could result in a hazardous situation.

#### 5. Service

- a. **Have your power tool serviced by a qualified repair person using only identical replacement parts.** This will ensure that the safety of the power tool is maintained.

### SAFETY INSTRUCTIONS FOR ALL OPERATIONS

- a. **This power tool is intended to function as a grinder. Read all safety warnings, instructions, illustrations and specifications provided with this power tool.** Failure to follow all instructions listed below may result in electric shock, fire and/or serious injury.
- b. **Operations such as cutting-off, sander, wire brush or polisher are not recommended to be performed with this power tool.** Operations for which the power tool was not designed may create a hazard and cause personal injury.
- c. **Do not use accessories which are not specifically designed and recommended by the tool manufacturer.** Just because the accessory can be attached to your power tool, it does not assure safe operation.
- d. **The rated speed of the accessory must be at least equal to the maximum speed marked on the power tool.** Accessories running faster than their rated speed can break and fly apart.

- e. The outside diameter and the thickness of your accessory must be within the capacity rating of your power tool.** Incorrectly sized accessories cannot be adequately guarded or controlled.
- f) Threaded mounting of accessories must match the grinder spindle thread. For accessories mounted by flanges, the arbour hole of the accessory must fit the locating diameter of the flange.** Accessories that do not match the mounting hardware of the power tool will run out of balance, vibrate excessively and may cause loss of control.
- g. Do not use a damaged accessory. Before each use inspect the accessory such as abrasive wheel for chips and cracks, backing pad for cracks, tear or excess wear, wire brush for loose or cracked wires. If power tool or accessory is dropped, inspect for damage or install an undamaged accessory. After inspecting and installing an accessory, position yourself and by standers away from the plane of the rotating accessory and run the power tool at maximum no-load speed for one minute.** Damaged accessories will normally break apart during this test time.
- h. Wear personal protective equipment. Depending on application, use face shield, safety goggles or safety glasses. As appropriate, wear dust mask, hearing protectors, gloves and workshop apron capable of stopping small abrasive or workpiece fragments.** The eye protection must be capable of stopping flying debris generated by various operations. The dust mask or respirator must be capable of filtrating particles generated by your operation. Prolonged exposure to high intensity noise may cause hearing loss.
- i. Keep bystanders a safe distance away from work area. Anyone entering the work area must wear personal protective equipment.** Fragments of workpiece or of a broken accessory may fly away and cause injury beyond immediate area of operation.
- j. Hold the power tool by insulated gripping surfaces only, when performing an operation where the cutting accessory may contact hidden wiring or its own cord.** Cutting accessory contacting a “live” wire may make exposed metal parts of the power tool “live” and could give the operator an electric shock.
- k. Position the cord clear of the spinning accessory.** If you lose control, the cord may be cut or snagged and your hand or arm may be pulled into the spinning accessory.
- l. Never lay the power tool down until the accessory has come to a complete stop.** The spinning accessory may grab the surface and pull the power tool out of your control.
- m. Do not run the power tool while carrying it at your side.** Accidental contact with the spinning accessory could snag your clothing, pulling the accessory into your body.
- n. Regularly clean the power tool’s air vents.** The motor’s fan will draw the dust inside the housing and excessive accumulation of powdered metal may cause electrical hazards.
- o. Do not operate the power tool near flammable materials.** Sparks could ignite these materials.
- p. Do not use accessories that require liquid coolants.** Using water or other liquid coolants may result in electrocution or shock.

## FURTHER SAFETY INSTRUCTIONS FOR ALL OPERATIONS

### KICKBACK AND RELATED WARNINGS

Kickback is a sudden reaction to a pinched or snagged rotating wheel, backing pad, brush or any other accessory. Pinching or snagging causes rapid stalling of the rotating accessory which in turn causes the uncontrolled power tool to be forced in the direction opposite of the accessory’s rotation at the point of the binding.

For example, if an abrasive wheel is snagged or pinched by the workpiece, the edge of the wheel that is entering into the pinch point can dig into the surface of the material causing the wheel to climb out or kick out. The wheel may either jump toward or away from the operator, depending on direction of the wheel's movement at the point of pinching. Abrasive wheels may also break under these conditions. Kickback is the result of tool misuse and/or incorrect operating procedures or conditions and can be avoided by taking proper precautions as given below:

- a. **Maintain a firm grip on the power tool and position your body and arm to allow you to resist kickback forces. Always use auxiliary handle, if provided, for maximum control over kickback or torque reaction during start up.** The operator can control torque reaction or kickback forces, if proper precautions are taken.
- b. **Never place your hand near the rotating accessory.** Accessory may kickback over your hand.
- c. **Do not position your body in the area where power tool will move if kickback occurs.** Kickback will propel the tool in direction opposite to the wheel's movement at the point of snagging.
- d. **Use special care when working corners, sharp edges etc. Avoid bouncing and snagging the accessory.** Corners, sharp edges or bouncing have a tendency to snag the rotating accessory and cause loss of control or kickback.
- e. **Do not attach a saw chain woodcarving blade or toothed saw blade.** Such blades create frequent kickback and loss of control.

## SAFETY WARNINGS SPECIFIC FOR GRINDING OPERATIONS

- a. **Use only wheel types that are recommended for your power tool and the specific guard designed for the selected wheel.** Wheels for which the power tool was not designed cannot be adequately guarded and are unsafe.
- b. **The grinding surface of centre depressed wheels must be mounted below the plane of the guard lip.** An improperly mounted wheel that projects through the plane of the guard lip cannot be adequately protected.
- c. **The guard must be securely attached to the power tool and positioned for maximum safety, so the least amount of wheel is exposed towards the operator.** The guard helps to protect operator from broken wheel fragments and accidental contact with wheel and sparks that could ignite clothing.
- d. **Wheels must be used only for recommended applications. For example: do not grind with the side of cut-off wheel.** Abrasive cut-off wheels are intended for peripheral grinding, side forces applied to these wheels may cause them to shatter.
- e. **Always use undamaged wheel flanges that are of correct size and shape for your selected wheel.** Proper wheel flanges support the wheel thus reducing the possibility of wheel breakage. Flanges for cut-off wheels may be different from grinding wheel flanges.
- f. **Do not use worn down wheels from larger power tools.** Wheel intended for larger power tool is not suitable for the higher speed of a smaller tool and may burst.

## ADDITIONAL SAFETY INSTRUCTIONS FOR SMALL ANGLE GRINDERS

- Use the guard and ensure it is fitted correctly.
- Check mounting flanges and the disc are correctly fitted and are undamaged.
- Ensure you are using the correct size and type of disc for the task.
- Ensure the disc, wire brush and sanding accessories are rated in excess of the spindle rpm of your angle grinder. Allow a newly assembled wheel to idle offload for 30 seconds before starting any operation.

## Labels on tool

The label on your tool may include the following symbols:



Read Instructions Manual

Hz ..... Hertz



Class II Construction



Use Eye Protection

W ..... Watts



Earthing Terminal



Use Ear Protection

min ..... minutes



Safety Alert Symbol

~ ..... Alternating Current



Revolutions or Reciprocation per minute

— ..... Direct Current

.../min..

V ..... Volts

n ..... Rated speed

A ..... Amperes

## List of Content

1 Angle Grinder

1 Side Handle

1 Wrench

## Position of date barcode

The Date Code, which also includes the year of manufacture, is printed into the housing. Example:

2017 XX JN  
Year of manufacturing

## Electrical safety



Your tool is double insulated; therefore no earth wire is required. Always check that the main voltage corresponds to the voltage on the rating plate.



**Warning!** If the power cord is damaged, it must be replaced by the manufacturer, authorized BLACK+DECKER Service Center or an equally qualified person in order to avoid damage or injury. If the power cord is replaced by an equally qualified person, but not authorized by BLACK+DECKER, the warranty will not be valid.

## FEATURES (Fig. A)

1. Slider switch
2. Cable
3. Guard
4. Body grip
5. Side handle (2 positions)

6. Spindle lock button

## OPERATION

### Operating your angle grinder (Fig. A)

To switch on, push the slider switch forward (1). To switch off, press the rear of the slider switch.

### Fitting the discs (Fig. B and C)

Proceed as follows:

- Disconnect the plug from the electricity supply.
- Ensure the guard is fitted. Place the inner flange (7) on the spindle. Ensure it is located on the two flats.
- Place the abrasive disc on the spindle and inner flange (8). Ensure it is correctly located.
- Fit the threaded outer flange (9), making sure it is facing in the correct direction for the type of disc fitted. For grinding discs, the flange (9) is fitted with the raised portion facing towards the disc. For cutting discs, the flange (9) is fitted with the inner portion facing away from the disc.
- Hold the spanner on the flats of the spindle to prevent rotation of the disc and tighten the outer flange with the spanner provided.
- Press in the spindle lock button and rotate the spindle until it locks (Fig. C). Keeping the lock button pressed in, tighten the outer flange with the spanner provided.

### Fitting sanding discs (Fig. D)

- Use a sanding disc with the backing pad for sanding with your angle grinder.
- Disconnect the plug from the electricity supply.
- Remove the guard.
- Place the flange on the spindle. Place the backing pad on the spindle and inner flange, ensuring it is correctly located.
- Mount the fibre backed abrasive disc on the backing pad.



- Fit the threaded outer flange and tighten as explained in 'Fitting the discs'.

### Handy hints (Fig. E)

Hold your angle grinder firmly with one hand around the side handle and the other around the body of your angle grinder.

- Always position the guard so that as much of the exposed disc as possible is pointing away from you.
- Be prepared for a stream of sparks when the disc touches the metal.

When grinding, always maintain the correct angle between the disc and the work surface (15°)(Fig. D). This increases the removal capacity of the disc and avoids unnecessary overloading.

### Overload

Overloading will cause damage to the motor of your angle grinder. This can happen if your angle grinder is subjected to heavy duty use for prolonged periods of use. Do not in any circumstances, attempt to exert too much pressure on your angle grinder to speed up your work. The abrasive discs operate more efficiently when a light pressure is exerted, thus avoiding a drop in the speed of your angle grinder.

### MAINTENANCE

Keep guards, air vents and the motor housing as clear as possible of dust and dirt. Wipe with a clean cloth and blow through with a low-pressure air supply. Excessive build-up of metal dust can cause tracking of electrical current from the internal parts to exposed metal parts.

Do not overload your angle grinder. Overloading causes a reduction in speed and efficiency, causing your angle grinder to become too hot. If this happens, operate your angle grinder under no load for one or two minutes until it has cooled to normal operating temperature. Switching your angle grinder off under load will reduce the life of the switch.

**Important!** To assure product **SAFETY** and **RELIABILITY**, repairs, maintenance and adjustment (other than those listed in this manual) should be performed by authorized

service centers or other qualified service personnel, always using identical replacement parts.

### Protecting the environment



Separate collection. This product must not be disposed of with normal household waste.

Should you find one day that your BLACK+DECKER product needs replacement, or if it is of no further use to you, do not dispose of it with household waste. Make this product available for separate collection.



Separate collection of used products and packaging allows materials to be recycled and used again. Reuse of recycled materials helps prevent environmental pollution and reduces the demand for raw materials.

Local regulations may provide for separate collection of electrical products from the household, at municipal waste sites or by the retailer when you purchase a new product.

BLACK+DECKER provides a facility for the collection and recycling of BLACK+DECKER products once they have reached the end of their working life. To take advantage of this service please return your product to any authorised repair agent who will collect them on our behalf.

You can check the location of your nearest authorised repair agent by contacting your local BLACK+DECKER office at the address indicated in this manual. Alternatively, a list of authorised BLACK+DECKER repair agents and full details of our after-sales service and contacts are available on the Internet at: [www.2helpU.com](http://www.2helpU.com).

### SERVICE INFORMATION

BLACK+DECKER offers a full network of company-owned and authorized service locations. All BLACK+DECKER Service Centers are staffed with trained personnel to provide customers with efficient and reliable power tool service. For more information about our authorized service centers and if you need technical advice, repair, or genuine factory replacement parts, contact the BLACK+DECKER location nearest you, or visit us at [www.blackanddecker.com](http://www.blackanddecker.com)

**SPECIFICATIONS**

	<b>G650-B5/ZA</b>	<b>G650-B9</b>
Power	650W	650W
Disc diameter	115mm	100mm
Voltage	220-240V- 50/60 Hz	220-240V- 50/60 Hz
No-load speed	12000/min (rpm)	12000/min (rpm)
Spindle size	M14	M10
Cable length	2m	2m

**Guarantee**

BLACK+DECKER is confident of the quality of its products and offers an outstanding guarantee. This guarantee statement is in addition to and in no way prejudices your statutory rights.

If a BLACK+DECKER product becomes defective due to faulty materials, workmanship or lack of conformity, within 24 months from the date of purchase, BLACK+DECKER guarantees to replace defective parts, repair products subjected to fair wear and tear or replace such products to make sure of the minimum inconvenience to the customer unless:

- The product has been used for trade, professional or hire purposes.
- The product has been subjected to misuse or neglect.
- The product has sustained damage through foreign objects, substances or accidents.
- Repairs have been attempted by persons other than authorised repair agents or Black + Decker service staff.

To claim on the guarantee, you will need to submit proof of purchase to the seller or an authorised repair agent. You can check the location of your nearest authorised repair agent by contacting your local BLACK+DECKER office at the address indicated in this manual. Alternatively, a list of authorised BLACK+DECKER repair agents and full details of our aftersales service and contacts are available on the Internet at: [www.2helpU.com](http://www.2helpU.com)

## Usage prévu

Votre meuleuse d'angle G650 de BLACK+DECKER™ a été spécialement conçue pour meuler du métal avec le type de disque à meuler approprié. Ce produit est destiné à un usage domestique uniquement.

**NE RENVOYEZ PAS CE PRODUIT AU MAGASIN**, contactez tout d'abord votre bureau ou centre de réparation agréé BLACK+DECKER le plus proche.

## CONSIGNES GÉNÉRALES DE SÉCURITÉ



**Avertissement !** Veuillez lire et comprendre toutes les instructions. Le non-respect des instructions répertoriées ci-dessous peut provoquer un choc électrique, un incendie ou des blessures graves.

## CONSERVEZ CES INSTRUCTIONS

### CONSIGNES DE SÉCURITÉ

**Avertissements de sécurité générale à propos de l'appareil.**

**Avertissement ! Lisez toutes les consignes de sécurité et toutes les instructions.** Le non-respect de ces avertissements et de ces instructions peut provoquer un incendie, une électrocution et/ou de graves blessures.

**Conservez ces avertissements et ces instructions à titre de référence ultérieure.**

Le terme « outil électrique » dans les avertissements fait référence à votre outil électrique alimenté par le courant (avec cordon d'alimentation) ou fonctionnant sur batterie (sans cordon).

### 1. Sécurité de l'aire de travail

- a. **Travaillez dans un endroit propre et bien éclairé.** Les zones encombrées et sombres peuvent entraîner des accidents.
- b. **Ne mettez pas en marche votre outil électrique dans un environnement explosif, ou en présence de liquide inflammable, de gaz ou de poussière.** La mise en marche de l'outil crée des étincelles qui peuvent enflammer les poussières ou vapeurs.
- c. **Éloignez les enfants et les personnes**

**présentes de la zone lorsque l'outil est en fonctionnement.** Toute distraction peut vous faire perdre le contrôle de l'outil.

### 2. Sécurité électrique

- a. **Les fiches de l'outil électrique doivent correspondre à la prise secteur. Ne modifiez jamais la fiche, de quelque manière que ce soit. N'utilisez pas d'adaptateurs avec des outils ayant une prise de terre (mis à la terre).** Des fiches non modifiées et raccordées aux prises murales correspondantes réduiront les risques de choc électrique.
  - b. **Éviter le contact direct avec les surfaces mises à la terre ou mises à la masse comme les canalisations, les radiateurs, les cuisinières et les réfrigérateurs.** Le risque de choc électrique augmente si votre corps est mis à la terre ou à la masse.
  - c. **N'utilisez pas d'outils électriques dans des environnements pluvieux ou humides.** Si de l'eau s'introduit dans un outil électrique, le risque de choc électrique augmentera.
  - d. **Ne malmenez pas le cordon d'alimentation. N'utilisez jamais le cordon pour transporter, tirer ou débrancher l'outil électrique. Veillez à garder le cordon éloigné des sources de chaleur, des huiles, des rebords coupants ou des pièces mobiles.** Les câbles endommagés ou entremêlés augmentent le risque de choc électrique.
  - e. **Lorsqu'un appareil est utilisé à l'extérieur, utilisez uniquement une rallonge spécialement prévue à cet effet.** L'usage d'une rallonge adaptée à l'utilisation en extérieur réduit le risque de choc électrique.
  - f. **Si vous devez utiliser un outil électrique dans un endroit humide, utilisez une alimentation protégée par un dispositif à courant différentiel résiduel (DDR).** L'utilisation d'un DDR réduit le risque de choc électrique. Remarque : Le terme « dispositifs à courant résiduel (DCR) » peut être remplacé par « circuit protégé par un disjoncteur DDFT » ou « interrupteur différentiel de sécurité (ELCB) »
- ### 3. Sécurité personnelle

- a. **Soyez vigilant, regardez bien ce que vous faites et faites preuve de bon sens lorsque vous utilisez l'outil électrique. N'utilisez pas d'outil électrique si vous êtes sous l'influence de drogues, d'alcool ou de médicaments.** Un instant d'inattention pendant l'utilisation d'outils électriques peut entraîner des blessures graves.
- b. **Utilisez un équipement de protection individuel.** Utilisez toujours une protection oculaire. L'utilisation d'équipements de protection tels que les masques anti-poussière, les chaussures de sécurité antidérapantes, les casques de sécurité ou les protections auditives dans des conditions appropriées réduiront les risques de blessures corporelles.
- c. **Évitez les démarrages intempestifs. Veillez à ce que l'interrupteur soit en position d'arrêt avant de brancher l'outil à une source d'alimentation et/ou une batterie, de ramasser l'outil ou de le transporter.** Transporter les outils électriques avec le doigt sur l'interrupteur ou brancher les outils électriques avec l'interrupteur en position de marche peut entraîner des accidents.
- d. **Retirez toute clé à molette ou autre clé de réglage avant de mettre l'outil électrique en marche.** Laissez une clé à molette ou une clé sur une partie rotative de l'outil électrique peut engendrer des blessures corporelles.
- e. **Ne vous penchez pas trop. Gardez en permanence une position stable et un bon équilibre.** Cela permet un meilleur contrôle de l'outil électrique dans des situations imprévues.
- f. **Portez des vêtements appropriés. Ne portez pas de vêtements amples ou de bijoux. Tenez vos cheveux, vêtements et gants éloignés des pièces mobiles.** Les vêtements amples, les bijoux ou les cheveux longs peuvent être happés par les pièces mobiles.
- g. **Si des accessoires destinés au raccordement d'installations d'extraction et de recueil de la poussière sont fournis, assurez-vous qu'ils sont correctement raccordés et utilisés.** L'utilisation de ces accessoires peut réduire les dangers associés à la présence de poussière.
4. **Utilisation et entretien de l'outil électrique**
- a. **Ne forcez pas l'outil électrique. Utilisez l'outil électrique adapté à votre travail.** L'outil adapté est plus efficace et moins dangereux s'il est utilisé à la vitesse pour laquelle il a été conçu.
- b. **N'utilisez pas l'outil si l'interrupteur ne le met pas en position de marche et d'arrêt.** Tout outil qui ne peut être contrôlé par l'interrupteur est dangereux et doit être réparé.
- c. **Débranchez la fiche de la source d'alimentation et/ou retirez la batterie de l'outil avant de procéder à tout réglage, de remplacer des accessoires ou de ranger les outils électriques.** Ces mesures de sécurité préventives réduisent le risque de démarrage accidentel de l'outil électrique.
- d. **Conservez les outils électriques inutilisés hors de la portée des enfants et ne laissez pas de personnes non familiarisées avec l'outil ou ces instructions utiliser l'outil électrique.** Les outils électriques sont dangereux pour les utilisateurs inexpérimentés.
- e. **Entretenez les outils électriques. Vérifiez la dérive d'alignement ou l'attache des pièces mobiles, toute possibilité de rupture de pièces et toute autre condition pouvant affecter l'outil lors de son utilisation.** Si l'outil est endommagé, faites-le réparer avant de l'utiliser. De nombreux accidents sont dus à des outils électriques mal entretenus.
- f. **Maintenez les outils de coupe aiguisés et propres.** Les outils de coupe bien entretenus aux arêtes aiguisées sont moins susceptibles de se coincer et plus faciles à contrôler.
- g. **Utilisez l'outil électrique, les accessoires et les disques de l'outil etc., conformément à ces instructions en prenant en compte les conditions de travail et la tâche à réaliser.** L'utilisation de l'outil électrique pour des opérations différentes de celles pour lesquelles il a été conçu peut entraîner une situation dangereuse.

## 5. Réparation

- a. **Faites réparer votre outil électrique par un réparateur agréé utilisant uniquement les pièces de rechange identiques.** Cela permettra de garantir la sécurité de l'outil électrique.

## CONSIGNES DE SÉCURITÉ POUR TOUTE UTILISATION

- a. **Cet outil électrique est destiné à être utilisé comme une meule. Lisez tous les avertissements de sécurité, les instructions et les illustrations accompagnant cet outil.** Le non-respect des instructions énumérées ci-dessous peut entraîner un choc électrique, un incendie ou des blessures graves.
- b. **Cet outil n'est pas destiné à être utilisé comme une tronçonneuse, une ponceuse, une brosse circulaire ou une polisseuse.** Toute utilisation de l'appareil non conforme à l'usage prévu est dangereuse et peut provoquer des blessures corporelles.
- c. **N'utilisez pas d'accessoires autres que ceux spécialement conçus et recommandés par le fabricant de l'outil.** Le simple fait de pouvoir fixer un accessoire à votre outil ne signifie pas que son utilisation est sécurisée.
- d. **La vitesse nominale de l'accessoire doit être au moins égale à la vitesse maximale indiquée sur l'outil électrique.** Les accessoires utilisés à une vitesse supérieure à leur vitesse nominale peuvent se briser et se détacher.
- e. **Le diamètre extérieur et l'épaisseur de votre accessoire doivent être inférieurs à la capacité nominale de votre outil électrique.** Les accessoires de taille incorrecte ne peuvent être correctement protégés ou contrôlés.
- f. **Le filetage des accessoires de montage doit correspondre au filetage du mandrin de la meuleuse. Pour les accessoires montés avec des flasques, le diamètre intérieur de l'accessoire doit correspondre au diamètre extérieur de positionnement du flasque.** Les accessoires qui ne correspondent pas au matériel de montage de l'outil électrique seront déséquilibrés, ce qui entraînera des vibrations excessives pouvant aboutir à une perte de contrôle.
- g. **N'utilisez pas d'accessoire endommagé. Avant chaque utilisation, vérifiez les accessoires pour vous assurer par exemple que le disque abrasif n'est pas ébréché, craquelé ou défectueux, que l'assiette-support n'est pas fissurée ou usée ou encore que la brosse circulaire est bien fixée et que ses fils métalliques sont en bon état. En cas de chute de l'outil électrique ou de l'accessoire, vérifiez qu'il n'est pas endommagé ou installez un accessoire en bon état. Après avoir vérifié et installé un accessoire, placez-vous ainsi que les personnes présentes à distance de la surface tournante de l'accessoire et faites tourner l'outil électrique à vitesse maximale à vide pendant une minute.** Les accessoires endommagés seront normalement détruits pendant ce test.
- h. **Portez un équipement de protection individuelle. En fonction de l'utilisation, utilisez un écran facial, des lunettes protectrices contre les agents chimiques ou des lunettes de sécurité. Si besoin, portez un masque anti-poussière, des protections auditives, des gants et un tablier capables d'arrêter les petits fragments abrasifs ou les copeaux de la pièce meulée.** La protection oculaire doit pouvoir arrêter les projections de débris générés au cours de différentes opérations. Le masque anti-poussière ou le respirateur doivent être capables de filtrer les particules produites par vos travaux. Une exposition prolongée à des bruits de forte intensité peut provoquer une perte de l'audition.
- i. **Les personnes présentes doivent se tenir à distance de la zone de travail. Toute personne entrant dans la zone de travail doit porter un équipement de protection individuelle.** Des fragments de la pièce meulée ou de l'accessoire peuvent être projetés au-delà de la zone d'utilisation immédiate et provoquer des blessures.
- j. **Tenez l'outil électrique uniquement par les surfaces isolées lorsque vous effectuez une opération au cours de laquelle l'accessoire coupant peut être en contact avec des câbles cachés ou avec son propre câble d'alimentation.** Si l'accessoire coupant entre en contact avec un câble « alimenté », les pièces métalliques de l'outil électrique risquent de transmettre le courant et d'exposer ainsi l'opérateur à un choc électrique.

- k. Éloignez le cordon de l'accessoire en rotation.** Si vous perdez le contrôle de l'outil, le cordon peut être coupé ou s'enrouler autour de l'outil, attirant votre main ou bras en contact avec l'accessoire en rotation.
- l. Ne posez jamais l'outil électrique avant que l'accessoire ne soit à l'arrêt complet.** L'accessoire en rotation peut accrocher la surface et vous faire perdre le contrôle de l'outil électrique.
- m. Ne faites pas fonctionner l'outil électrique lorsque vous le transportez sur le côté.** Un contact accidentel avec l'accessoire en rotation peut accrocher vos vêtements et mettre l'accessoire en contact avec votre corps.
- n. Nettoyez régulièrement les orifices d'aération de l'outil électrique.** Le ventilateur du moteur attirera la poussière à l'intérieur du boîtier de l'outil et une accumulation excessive de métaux peut provoquer des dangers électriques.
- o. Ne faites pas fonctionner l'outil électrique à proximité de matériaux inflammables.** Des étincelles pourraient enflammer ces matériaux.
- p. N'utilisez pas d'accessoires qui nécessitent des liquides de refroidissement.** L'usage d'eau ou d'autres liquides de refroidissement peut entraîner une électrocution ou un choc électrique.
- disque au point de pincement. Les disques abrasifs peuvent également se rompre dans ces conditions. Le recul résulte d'un mauvais usage de l'outil et/ou de l'inobservation des procédures d'utilisation et peut être évité en suivant les précautions appropriées indiquées ci-dessous
- a. Maintenez fermement l'outil électrique et placez votre corps et vos bras de manière à résister aux reculs. Utilisez toujours la poignée auxiliaire, s'il y en a une, afin d'avoir une maîtrise maximale du recul ou de la réaction de couple lors du démarrage.** L'opérateur peut maîtriser les réactions de couple ou les forces de recul s'il prend les précautions appropriées.
- b. Ne placez jamais votre main à proximité de l'accessoire en rotation.** L'accessoire peut rebondir sur votre main.
- c. Ne vous placez pas dans la zone où l'outil électrique se déplacera en cas de rebond.** Le recul propulse l'outil dans la direction opposée au mouvement du disque au point d'accrochage.
- d. Soyez particulièrement attentif lorsque vous travaillez sur des angles, des rebords coupants etc. Évitez d'accrocher ou de faire rebondir l'accessoire.** Les coins, les rebords tranchants et les rebonds ont tendance à accrocher l'accessoire en rotation et à provoquer une perte de contrôle ou un recul.
- e. Ne fixez pas de lame à chaîne coupante pour le bois ou toute autre lame de scie dentée.** Ces lames provoquent souvent des retours et des pertes de contrôle.

## CONSIGNES DE SÉCURITÉ ADDITIONNELLES POUR TOUTE UTILISATION

### Recul et mises en garde associées

Le recul est une réaction soudaine provoquée par le pincement ou l'accrochage d'une meuleuse en rotation, d'une plaque, d'une brosse ou de tout autre accessoire. L'accessoire en rotation cale alors rapidement, ce qui projette l'outil électrique dans la direction opposée à la rotation de l'accessoire. Par exemple, si un disque abrasif est accroché ou pincé par la pièce à usiner, le rebord du disque qui entre dans le point de pincement peut accrocher la surface du matériau, provoquant des sauts ou des retours de disque. Le disque peut alors dévier vers l'opérateur ou dans la direction opposée selon la direction du

**Avertissements** de sécurité spécifiques pour les opérations de meulage et de découpage par abrasion

- a. Utilisez uniquement les types de disques recommandés pour votre outil électrique et le protège-disque spécifique conçu pour le disque choisi.** Les disques pour lesquels l'outil électrique n'a pas été conçu ne peuvent être protégés de manière adéquate et sont dangereux.
- b. La surface abrasive de disque renforcé au centre doit être montée au-dessous du plan de la lèvre du protège-disque.** Un disque mal monté qui envoie des projections par le plan de la lèvre du protège-disque ne permet pas de protéger adéquatement l'opérateur.

- c. Le protège-disque doit être solidement attaché à l'outil électrique et positionné pour une sécurité maximale, de façon à exposer l'opérateur à la plus petite surface de disque possible.** Le

protège-disque permet de protéger l'opérateur des fragments de disque cassés, d'un contact accidentel avec le disque et des étincelles qui pourraient enflammer les vêtements.

- d. Les disques doivent être utilisés uniquement pour les applications recommandées. Par exemple, n'utilisez pas le côté d'un disque à découper pour abraiser une surface.** Les disques à découper par abrasion sont destinés au meulage périphérique, l'application de forces latérales peut les faire briser en éclats.

- e. Utilisez toujours des flasques de disque en bon état, de taille et de forme adaptées au disque choisi.** Les flasques doivent être appropriés afin de réduire les risques de rupture du disque. Les flasques de disques à découper par abrasion peuvent être différents des flasques des autres disques abrasifs.

- f. N'utilisez pas de disques usés provenant d'outils électriques plus puissants.** Les disques destinés à des outils électriques plus puissants ne sont pas adaptés à la vitesse supérieure d'un outil plus petit et risquent d'éclater.









## CONSIGNES DE SÉCURITÉ SUPPLÉMENTAIRES CONCERNANT LES PETITES MEULEUSES D'ANGLE

- Utilisez le protège-disque et assurez-vous qu'il est correctement monté.
- Vérifiez que les flasques de montage et le disque sont correctement installés et ne sont pas endommagés.
- Vérifiez que vous utilisez le format et le type de disque adaptés à la tâche à exécuter.
- Assurez-vous que le disque, la brosse circulaire et les accessoires de meulage ont une vitesse de rotation nominale supérieure à celle de votre meuleuse d'angle. Laissez tout disque nouvellement monté tourner au ralenti

sans charge pendant 30 secondes avant de commencer toute opération.

## Étiquettes sur l'outil

L'étiquette apposée sur votre outil peut afficher les symboles suivants :

	Lisez le manuel d'instruction	Hz ..... Hertz		..... Construction de classe II
	Utilisez une protection oculaire	W ..... Watts		..... Borne de terre
	Utilisez une protection auditive	min ..... Minutes		..... Symbole d'avertissement de sécurité
V ..... Volts			.....	Tours ou mouvements alternatifs par minute
A ..... Ampères			.....	
		n <sub>0</sub> ..... Vitesse à vide		

## Contenu


- 1 meuleuse d'angle
- 1 poignée latérale
- 1 clé de serrage

## Position du code de la date

Le code de la date qui comporte également l'année de fabrication est imprimé sur le boîtier.

Exemple :  
2017 XX JN  
Année de fabrication

## Sécurité électrique

 Cet outil dispose d'une double isolation ; aucun fil de terre n'est donc nécessaire. Vérifiez toujours que la tension du secteur correspond à celle de la plaque signalétique.



**Avvertissement !** Si le câble d'alimentation est endommagé, il doit être remplacé par le fabricant ou par un centre de réparation agréé BLACK+DECKER ou un électricien qualifié afin d'éviter tout accident ou blessure. En cas de remplacement du câble d'alimentation par un technicien qualifié mais non agréé par BLACK+DECKER, la garantie ne sera plus valable.



## CARACTÉRISTIQUES (Fig. A)

1. Interrupteur à glissière
2. Cordon
3. Protège-disque
4. Poignée principale
5. Poignée latérale (2 positions)
6. Bouton de verrouillage de la broche

## Utilisation

Allumer/éteindre votre meuleuse d'angle (fig. A)

Pour allumer l'outil, poussez l'interrupteur à glissière vers l'avant (1). Pour l'éteindre, appuyez sur l'arrière de l'interrupteur à glissière.

## Montage des disques (fig. B et C)

Procédez comme suit :

- Déconnectez la fiche de l'alimentation secteur.
- Assurez-vous que le protège-disque est bien installé. Placez le flasque intérieur (7) sur la broche. Assurez-vous qu'il est placé sur les deux méplats.
- Placez le disque abrasif sur la broche et le flasque intérieur (8). Assurez-vous qu'il est bien en place.
- Placez et vissez le flasque extérieur fileté (9), en vous assurant qu'il est orienté dans la bonne direction, selon le type de disque installé. Pour les disques de meulage, le flasque (9) est monté avec la partie surélevée orientée vers le disque. Pour les disques à découper, le flasque (9) est monté avec la partie surélevée orientée du côté opposé au disque.
- Mettez la clé plate sur les méplats de la broche et tenez-la pour empêcher le disque de tourner, puis serrez le flasque extérieur à l'aide de la clé fournie.
- Appuyez sur le bouton de verrouillage de la broche et faites pivoter la broche jusqu'à ce qu'elle se verrouille (fig. C). Maintenez le bouton de verrouillage enfoncé et serrez le flasque extérieur à

l'aide de la clé fournie.

## Montage des disques de meulage (fig. D)

- Utilisez un disque de meulage et une assiette-support avec votre meuleuse d'angle.
- Déconnectez la fiche de l'alimentation secteur.
- Retirez le protège-disque.
- Placez le flasque sur la broche. Placez l'assiette-support sur la broche et le flasque intérieur, en veillant à ce qu'elle soit bien en place.
- Montez le disque à face abrasive sur l'assiette-support.
- Placez le flasque extérieur fileté et serrez-le comme expliqué dans la section « Montage des disques ».

## Conseils utiles (fig. E)

Maintenez votre meuleuse d'angle fermement avec une main tenant fermement la poignée latérale et l'autre la poignée principale de votre meuleuse d'angle.

- Positionnez toujours le protège-disque de façon à minimiser la section du disque exposée qui est orientée vers vous.
- Soyez prêt à voir une gerbe d'étincelles lorsque le disque touche le métal.

Durant le meulage, maintenez toujours le bon angle entre le disque et la surface de travail (15°) (fig. D). Cela augmente la capacité d'évacuation du disque et évite toute surcharge.

## Surcharge

Toute surcharge endommagera le moteur de votre meuleuse d'angle. Cela peut se produire si votre meuleuse d'angle est soumise à une utilisation intensive pendant de longues périodes. N'essayez en aucun cas d'exercer une pression trop forte sur votre meuleuse d'angle pour accélérer votre travail. Les disques abrasifs fonctionnent plus efficacement lorsqu'une pression légère est exercée, évitant ainsi une chute de vitesse de votre meuleuse d'angle.



## ENTRETIEN

Tenez les protège-disque, les aérations et le boîtier du moteur exempts de saletés et de poussière dans la mesure du possible. Essayez avec un chiffon propre et soufflez de l'air à faible pression. Une accumulation excessive de poussières métalliques peut conduire le courant électrique des parties internes vers les parties métalliques exposées.

Ne surchargez pas votre meuleuse d'angle. Toute surcharge réduira la vitesse et l'efficacité, entraînant un échauffement de votre meuleuse d'angle. Si c'est le cas, faites fonctionner votre meuleuse d'angle à vide pendant une ou deux minutes jusqu'à ce qu'elle ait refroidi et qu'elle soit à sa température normale de fonctionnement. Le fait d'éteindre votre meuleuse d'angle durant son utilisation réduira la durée de vie de l'interrupteur.

**Important !** Pour assurer la **FIABILITÉ** et la **SÉCURITÉ** de l'outil, les réparations, l'entretien et le réglage (autres que ceux présentés dans le présent manuel) doivent être effectués par un centre de service agréé ou du personnel qualifié en utilisant toujours les mêmes pièces de rechange.

## Protection de l'environnement



Collecte séparée. Ce produit ne doit pas être mis au rebut avec les ordures ménagères normales.

Si vous décidez de remplacer ce produit BLACK+DECKER, ou si vous n'en avez plus l'utilité, ne le jetez pas avec vos déchets domestiques. Mettez-le dans un point de collecte séparée approprié.



Le tri sélectif de produits usés et d'emballages permet de recycler les matériaux et de les réutiliser. La réutilisation des matériaux recyclés aide à prévenir la pollution de l'environnement et à réduire la demande de matières premières.

Des réglementations locales pourront s'appliquer au tri sélectif de produits électriques ménagers, imposées par les sites d'élimination municipaux ou le revendeur lors de l'achat d'un nouveau produit.

BLACK+DECKER met à disposition un centre de collecte et de recyclage pour les

produits BLACK+DECKER ayant atteint la fin de leur durée de service. Pour profiter de ce service, veuillez retourner votre outil à un agent de service agréé qui se chargera de la collecte.

Vous pouvez trouver l'agent de service agréé le plus proche en contactant votre agence BLACK+DECKER locale à l'adresse indiquée dans ce manuel. Autrement, une liste d'agents de réparation agréés BLACK+DECKER et des informations complètes concernant notre service après-vente, y compris les coordonnées, sont disponibles en ligne à l'adresse suivante : [www.2helpu.com](http://www.2helpu.com).

## INFORMATION CONCERNANT LE CENTRE DE SERVICE

BLACK+DECKER offre un réseau complet de centres de service agréés. Tous les centres de service BLACK+DECKER disposent d'un personnel formé afin de fournir un service de confiance aux clients. Pour plus d'informations sur les centres de service agréés et en cas de besoin de plus d'informations techniques, de réparation, de remplacement de pièces authentiques d'usine, contactez le centre BLACK+DECKER le plus proche ou rendez-vous sur notre site à [www.blackanddecker.com](http://www.blackanddecker.com)

## SPÉCIFICATIONS

	G650-B5/ZA	G650-B9
Puissance	650 W	650 W
Diamètre de disque	115mm	100mm
Tension Approx.	220-240V 50/60 Hz	220-240V 50/60 Hz
Vitesse à vide	12000 tr/min	12000 tr/min
Taille de la broche	M14	M10
Longueur du câble	2 m	2 m

## Garantie

BLACK+DECKER est convaincu de la qualité de ses produits et offre une garantie exceptionnelle. Cette déclaration de garantie s'ajoute et ne porte aucunement préjudice à vos droits statutaires.

Si un produit BLACK+DECKER se révèle défectueux en raison de défauts de matériaux ou de fabrication, ou d'un manque de conformité, dans les 24 mois à compter de la date d'achat, la garantie de BLACK+DECKER permet le remplacement de pièces défectueuses, la réparation ou l'échange de produits soumis à une usure normale afin de garantir un minimum d'inconvénients pour le client, sauf si:

- le produit a été utilisé à des fins commerciales, professionnelles ou de location;
- le produit a été utilisé de manière inadéquate ou avec négligence;
- le produit a subi des dommages provoqués par des objets, substances ou accidents étrangers;
- des tentatives de réparation ont été effectuées par des personnes autres que les agents de service agréés ou le personnel d'entretien de BLACK+DECKER.

Pour réclamer la garantie, vous devrez présenter une preuve d'achat au vendeur ou à un agent de réparation agréé. Vous pouvez trouver l'agent de service agréé le plus proche en contactant votre agence BLACK+DECKER locale à l'adresse indiquée dans ce manuel. Autrement, une liste d'agents de réparation agréés BLACK+DECKER et des informations complètes concernant notre service après-vente, y compris les coordonnées, sont disponibles en ligne à l'adresse suivante: [www.2helpU.com](http://www.2helpU.com).

عن المخلفات المنزلية في مواقع مخلفات البلدية أو تاجر التجزئة عند شراء منتج جديد.

توفر **BLACK+DECKER** منشأة لتجميع وإعادة تدوير منتجات **BLACK+DECKER** عند وصول تلك المنتجات لنهاية عمرها النافع. وللاستفادة من هذه الخدمة، يرجى إعادة المنتج إلى أي وكيل إصلاح معتمد الذي سيقوم بتجميع المنتجات نيابة عنا.

يمكنك معرفة مكان أقرب وكيل إصلاح معتمد بمراجعة مكتب **BLACK+DECKER** المحلي في العنوان المشار إليه في الدليل. كما تتوفر قائمة بوكلاء الإصلاح المعتمدين لدى **BLACK+DECKER** وبيانات خدمات ما بعد البيع والاتصال على الموقع الإلكتروني: [www.2helpU.com](http://www.2helpU.com).

### المواصفات

G650-B9	G650-B5/ZA	
650 وات	650 وات	القدرة
100 ملم	115 ملم	قطر القرص
220-240 فولت	220-240 فولت	الجهد الكهربائي
50/60 هرتز	50/60 هرتز	
12000/دقيقة (دورة في الدقيقة)	12000/دقيقة (دورة في الدقيقة)	سرعة بدون تحميل
M10	M14	مقاس محور الدوران
2 م	2 م	طول السلك

### الضمان

تتفق **BLACK+DECKER** بجودة منتجاتها وتقدم ضماناً مميّزاً. ويكون بيان الضمان هذا بالإضافة ولا يخل بأي حال من الأحوال بالحقوق القانونية.

إذا أصبح منتج **BLACK+DECKER** معيباً بسبب عيوب المواد والصناعة وعدم المطابقة، تضمن **BLACK+DECKER** في غضون 24 شهراً من تاريخ الشراء استبدال الأجزاء المعيبة وإصلاح المنتجات مع مراعاة البلي باستخدام العادي أو استبدال هذه المنتجات للتأكد من رضا العملاء ما لم:

- تم استخدام المنتج لأغراض تجارية أو مهنية أو للتأجير.
- إهمال أو إساءة استخدام المنتج.
- تعرض المنتج لتلف بسبب مواد أو أضرار غريبة أو الحوادث.
- محاولة إجراء عمليات الإصلاح من قبل الأشخاص الآخرين بخلاف وكلاء الإصلاح المصرح بهم أو فريق الخدمة التابع **BLACK+DECKER**.

للمطالبة بالضمان، يجب تقديم إثبات الشراء للبائع أو وكيل البيع المعتمد. ويمكنك معرفة مكان أقرب وكيل إصلاح معتمد بمراجعة مكتب **BLACK+DECKER** المحلي في العنوان المشار إليه في الدليل. كما تتوفر قائمة بوكلاء الإصلاح المعتمدين لدى **BLACK+DECKER** وبيانات خدمات ما بعد البيع والاتصال على الموقع الإلكتروني: [www.2helpU.com](http://www.2helpU.com).

- احرص دائماً على وضع الواقي بحيث يكون أكبر جزء مكشوف من القرص بعيداً عنك بقدر المستطاع.
- استعد لكمية كبيرة من الشرر بمجرد ملامسة القرص للمعدن.

عند الجلك، حافظ دائماً على بقاء الزاوية الصحيحة بين القرص وسطح العمل (15 درجة) (الشكل د). وهذا يزيد من قدرة القرص على الإزالة ويتجنب التحميل الزائد غير الضروري.

### التحميل الزائد

سوف يسبب الحمل الزائد الضرر بمحرك جلاخة الزوايا. هذا يمكن أن يحدث إذا خضعت جلاخة الزوايا الخاصة بك للعمل الشاق لفترات طويلة من الاستخدام. لا تحاول في أي ظرف من الظروف، ممارسة الكثير من الضغط على جلاخة الزوايا الخاصة بك لتسريع عملك. تعمل الأقراص الجالخة بشكل أكثر كفاءة عند ممارسة الضغط الخفيف عليها، لذلك تجنب تخفيف سرعة جلاخة الزوايا.

### الصيانة

حافظ على خلو الواقيات وفتحات التهوية ومبيت المحرك من الأتربة والغبار. امسح الأداة باستخدام قطعة قماش نظيفة وقم بنفخ الأداة باستخدام مصدر هواء منخفض الضغط. حيث إن تراكم الغبار المعدني بشكل زائد عن الحد قد يتسبب في تسرب التيار الكهربائي من الأجزاء الداخلية إلى الأجزاء المعدنية المكشوفة.

لا تزد الحمل على جلاخة الزوايا الخاصة بك. يؤدي التحميل الزائد إلى انخفاض السرعة والكفاءة، مما يؤدي إلى أن تصبح جلاخة الزوايا الخاصة ساخنة جداً. إذا حدث ذلك، شغل جلاخة الزوايا بدون أي حمل لمدة دقيقة أو دقيقتين حتى تبرد وتصل إلى درجة حرارة التشغيل العادية. إيقاف تشغيل جلاخة الزوايا الخاصة بك وهي تحت الحمل سوف يقلل من عمر المفتاح الكهربائي.

هام! لضمان سلامة المنتج ومثابته، يجب أن تتم أعمال الإصلاح والصيانة والضغط (بخلاف تلك المبينة في هذا الدليل) بواسطة مراكز الخدمة المعتمدة أو فنيي الخدمة المعتمدين، باستخدام الأجزاء البديلة المطابقة دائماً.

### حماية البيئة

تجميع منفصل. يجب عدم إلقاء هذا المنتج مع المخلفات المنزلية.



إذا تبين لك في أحد الأيام بأنه يجب تبديل جهاز **BLACK+DECKER** الخاص بك أو لم تعد بحاجة لاستخدامه. لا تتخلص منه مع المخلفات المنزلية. وقم بتوفير هذا المنتج للتجميع المنفصل.

يمكن التجميع المنفصل للمنتجات والعبوات المستخدمة من إعادة تدوير المواد واستخدامها مرة أخرى، إن يساعد إعادة استخدام المواد المعاد تدويرها على منع التلوث البيئي وخفض الطلب على المواد الخام



قد تنص التشريعات المحلية على تجميع منفصل للمنتجات الكهربائية

5. مقبض جانبي (موضعان)

6. زر قفل عمود الدوران

## التشغيل

تشغيل جلاخة الزوايا الخاصة بك

للتشغيل، ادفع المفتاح الجانبي للأمام (1). لإيقاف التشغيل، اضغط على الجزء الخلفي من مفتاح التشغيل/إيقاف التشغيل.

تركيب الأقراص (الشكل ب، ج)

تصرف كالتالي:

- أفضل القابس عن مصدر الكهرباء.
- تأكد أن الواقي المركب بشكل صحيح. ضع الفلانشة الخارجية (7) على المحور. تأكد من وضعه على المسطحات.
- وضع قرص الجليخ على المغزل والفلانشة الداخلية (8). تأكد من وضعها بشكل صحيح.
- قم بوضع الفلانشة الخارجية (9) بشكل سليم، وتأكد من أنها موجهة في الاتجاه الصحيح لنوع القرص المستخدم. لأسطوانات الجليخ، يتم تركيب الفلانشة (9) مع الجزء المرفوع الذي يواجه القرص. لقطع الأقراص، يتم تركيب الفلانشة (9) بحيث يوجه الجزء الداخلي بعيداً عن القرص.
- ضع مفتاح البراغي على مسطحات المغزل لمنع دوران القرص وقم بتضييق الفلانشة الخارجية بواسطة مفتاح البراغي المعطى.
- اضغط على زر قفل المغزل وقم بتدوير محور الدوران إلى أن ينغلق (الشكل ج). احتفظ بالقفل مغلقاً بالضغط عليه، وقم بتضييق الفلانشة الخارجية بواسطة مفتاح البراغي المعطى.
- تركيب لوح سنفرة (الشكل د)
- استخدم قرص سنفرة مع لوحة الدعم للسنفرة باستخدام زاوية الجليخ.
- أفضل القابس عن مصدر الكهرباء.
- أزل الواقي.
- ضع الفلانشة الخارجية (7) على المغزل. وضع بطاقة الدعم على المغزل والفلانشة الداخلية، وضمان أنها موضوعة في المكان الصحيح.
- ركب قرص الجليخ المبطن على بطاقة الدعم.
- قم بوضع الفلانشة الخارجية بشكل سليم وضيقها كما هو موضح في "تركيب الأقراص".

صنائح مفيدة (شكل هـ)

أمسك جلاخة الزاوية الخاصة بك بحزم بيد واحدة من خلال وضعها حول المقبض الجانبي، وضع الأخرى حول هيكل الجلاخة.

## الملصقات الموجودة على الأداة

قد يشتمل الملصق الموجود على الأداة الخاصة بك على الرموز الآتية:

	اقرأ دليل التعليمات	Hz	هرتز		عزل مزدوج من الفئة 2
	استخدم واقي العين	W	واط		طرف أرضي
	استخدام واقي الأذن	min	دقيقة تيار متردد		رمز تنبيه الأمان
	V فولت	min	تيار مستمر		عدد الدورات أو الترددات في الدقيقة
	A مبير	~			
	N0 بدون حمل	==			

## قائمة المحتويات

1 مشحذة زاوية

1 مقبض جانبي

1 مفتاح ربط

مكان الرمز الشريطي الخاص بالتاريخ

يوجد كود التاريخ، والذي يحتوي على سنة الصنع، مطبوعاً على العلبه. مثال:

XX JN 2017

سنة الصنع

## السلامة من مخاطر الكهرباء

هذه الأداة مزدوجة العزل؛ وبالتالي لا حاجة إلى توصيل سلك أرضي. وينبغي التأكد دائماً من توافق جهد مصدر التيار الكهربائي مع الجهد الموضح على لوحة التقنين.



تحذيراً! في حالة تلف سلك الطاقة، يجب استبداله من قبل مُصنّع الجهاز، أو مركز خدمة معتمد لدى شركة "بلاك أند ديكر" BLACK+DECKER. أو أي فني مؤهل على نفس المستوى لتجنب أي تلف أو إصابة. في حالة استبدال سلك الطاقة بواسطة فني مؤهل على نفس المستوى، ولكنه غير معتمد لدى شركة "بلاك أند ديكر" BLACK+DECKER، فسوف تسقط صلاحية الضمان.



## الخصائص (الشكل أ)

1. مفتاح كهربائي جانبي

2. سلك

3. واقي

4. ماسك الأداة

- k. ضع السلك بحيث يكون خاليًا من الملحقات الدوارة. إذا ما فقدت السيطرة فيمكن أن يتعرض السلك للقطع أو التشابك، ومن ثم يتم سحب يدك أو ذراعك إلى داخل قطعة الملحقات الدوارة.
- l. لا تقع مطلقًا بإزالة الأداة الكهربائية قبل أن تتوقف قطعة الملحقات تمامًا عن الحركة. يمكن لقطعة الملحقات الدوارة حفر السطح وإخراج الأداة الكهربائية عن سيطرتك.
- m. لا تقع بتشغيل الأداة الكهربائية أثناء حملها في جانبك. التلامس المفاجئ بينك وبين قطعة الملحقات الدوارة يمكن أن يتسبب في تشابك ملابسك وسحب قطعة الملحقات إلى جسمك.
- n. نظف منافث هواء الأداة الكهربائية بانتظام. مروحة المحرك سوف تقوم بإدخال الغبار إلى المسكن، وقد يسبب التراكم الزائد للغبار المعدني وقوع مخاطر كهربائية.
- o. لا تشغل الأداة الكهربائية بالقرب من مواد قابلة للاشتعال. حيث يمكن أن يشعل الشرر هذه المواد.
- p. لا تستخدم الملحقات التي تتطلب مواد تبريد سائلة. قد يتسبب استخدام الماء أو أية وسائل تبريد أخرى في التعرض لصدمة كهربائية، أو الصعق.

### تعليمات أمان إضافية لكل العمليات

#### الارتداد والتحذيرات المتعلقة به

- d. الارتداد يُقصد به رد الفعل المفاجئ لانزلاق أو تمرقز العجلة الدوارة أو وسادة الدعم أو الفرشاة أو أية ملحقات أخرى. الانزلاق أو التمرقز يتسبب في التوقف السريع لقطعة الملحقات الدوارة والتي بدورها تتسبب في إجبار الأداة الكهربائية غير المتحكم فيها على التحرك في الاتجاه المقابل لاتجاه دوران قطعة الملحقات في نقطة الاتصال.
- على سبيل المثال، إذا انزلقت أو تمرقت عجلة التجليخ بسبب العمل، فإن حافة العجلة الداخلة في نقطة الانزلاق قد تدخل في سطح المادة مما قد يسبب انفناء العجلة أو اعوجاجها. قد تفقر العجلة للأمام أو بعيدًا عن المشغل، بحسب اتجاه حركة العجلة في نقطة الانزلاق. قد تنكسر أيضًا عجلات التجليخ تحت تأثير هذه الظروف. الارتداد يحدث نتيجة لسوء استخدام الأداة و/أو طريقة أو ظروف التشغيل غير الصحيحة، ويمكن تجنب ذلك من خلال اتخاذ الاحتياطات المناسبة، مثل:
- e. احرص دائمًا على استخدام فلانشات عجل غير متضررة لها نفس مقياس وشكل العجلة المختارة. فلانشات العجلة المناسبة توفر الدعم اللازم للعجلة، ومن ثم تقلل احتمالية كسر العجلة. من الممكن أن تكون فلانشات عجل القطع مختلفة عن فلانشات عجل الشحذ.
- f. لا تستخدم العجلات المتآكلة من الأدوات الكهربائية الأكبر. العجلات المخصصة للاستخدام مع الأدوات الكهربائية الأكبر ليست مناسبة للعمل مع سرعات أعلى لأداة أصغر ويمكن أن تنفجر.

#### تعليمات الأمان الإضافية لجلاخات الزوايا الصغيرة

- استخدم الواقي وتأكد من تركيبه بشكل صحيح.
  - تحقق من تركيب الفلانشات وأن القرص مركب بشكل صحيح وأنه غير تالف.
  - تأكد من استخدامك لحجم ونوع القرص الصحيح للمهمة.
  - تأكد من أن الأسطوانة، وفرشاة السالك، وأدوات السنفرة مصنفة بما يزيد عن دورة في الدقيقة لجلاخة الزوايا الخاصة بك. اترك العجلة المجمعة حديثًا تتراح لمدة 30 ثانية قبل البدء في أي عملية.
- a. أحكم قبضتك على الأداة الكهربائية وثبت جسمك وذراعك في وضع يسمح لك بمقاومة قوى الارتداد. احرص دائمًا على استخدام مقبض إضافي، إن وجد، للحصول على أقصى قدر من السيطرة على الارتداد أو رد فعل قوة الدوران التي تحدث عند بدء التشغيل. يمكن للمشغل التحكم في رد فعل قوة الدوران أو قوى الارتداد إذا تم اتخاذ الاحتياطات المناسبة.
- b. لا تضع يدك مطلقًا بالقرب من قطعة الملحقات الدوارة. حيث قد ترتد قطعة الملحقات على يدك.
- c. لا تضع جسمك في المنطقة التي سوف تتجه إليها الأداة الكهربائية في حالة حدوث الارتداد. سوف يدفع الارتداد الأداة في الاتجاه المقابل لحركة العجلة عند نقطة التمرقز.

- g إذا كانت الأجهزة معدة للتوصيل بوسائل إزالة أو تجميع الأتربة، فتأكد من توصيلها واستخدامها بشكل مناسب. حيث أن استخدام وسائل جمع الأتربة قد يقلل من المخاطر المرتبطة بها.
- 4 استخدام الأداة الكهربائية والعناية بها
- a لا ترغم الأداة الكهربائية على العمل. استخدم الأداة الكهربائية المناسبة لاستعمالك. حيث أن الأداة الكهربائية المناسبة سوف تقوم بأداء العمل بشكل أفضل وأكثر أماناً وفقاً للمعدل التي صُممت لأجله.
- b لا تستخدم الأداة الكهربائية إذا لم يتم المفتاح بالتشغيل والإيقاف. أية أداة كهربائية لا يمكن التحكم فيها باستخدام المفتاح تصبح خطرة ويجب إصلاحها.
- c أفضل الفابس عن مصدر الكهرباء و/أو علبه البطارية من الأداة الكهربائية قبل إجراء أية تعديلات، أو تغيير أية ملحقات، أو تخزين الأدوات الكهربائية. تعمل إجراءات السلامة الوقائية هذه على تقليل خطر بدء تشغيل الأداة الكهربائية بدون قصد.
- d خزن الأدوات الكهربائية غير المستخدمة بعيداً عن متناول الأطفال ولا تسمح للأشخاص الغير معتمدين على الأداة الكهربائية أو هذه التعليمات بتشغيل الأداة الكهربائية. تمثل الأدوات الكهربائية خطراً في أيدي المستخدمين غير المتدربين.
- e قم بصيانة الأدوات الكهربائية. تحقق من وجود أي محاذرة خاطئة أو عائق في الأجزاء المتحركة، أو كسر في الأجزاء، وأية حالة أخرى يمكن أن تؤثر على تشغيل الأدوات الكهربائية. في حالة تلفها، يتم إصلاح الأداة الكهربائية قبل استخدامها. تقع العديد من الحوادث جراء صيانة الأدوات الكهربائية بشكل سيء.
- f احرص على أن تظل أدوات القطع حادة ونظيفة. تعمل الصيانة المناسبة لأدوات القطع ذات الحواف الحادة على تقليل احتمالية أن تتلم ويمكن التحكم فيها بشكل أسهل.
- g استخدم الأداة الكهربائية والكماليات ولقم الأداة وما إلى ذلك بما يتوافق مع هذه التعليمات، مع الوضع في الاعتبار ظروف العمل والأعمال المراد تنفيذها. استخدام الأداة الكهربائية لتنفيذ العمليات في الأغراض غير المخصصة يمكن أن يتسبب في التعرض لمواقف خطيرة.
- 5 الخدمة
- a احرص على أن يقوم فني متخصص بإصلاح الأداة الكهربائية الخاصة بك وباستخدام قطع الغيار المتطابقة فقط. وذلك يضمن سلامة صيانة الأداة الكهربائية.
- تعليمات السلامة لكل العمليات
- a هذه الأداة الكهربائية مخصصة للعمل كمشحذ. احرص على قراءة كل تحذيرات وتعليمات الأمان والصور ذات الصلة بها ومواصفاتها المقدمة مع الأداة الكهربائية. أي تصور في اتباع كل التعليمات الموضحة أدناه يمكن أن يتسبب في التعرض لصدمة كهربائية، ونشوب حريق و/أو وقوع إصابات بالغة.
- b العمليات التشغيلية مثل القطع والترميل وقطع الأسلاك أو التنعيم لا
- يوصى بتنفيذها باستخدام هذه الأداة الكهربائية. قد تسبب العمليات التي لم تصمم هذه الأداة الكهربائية لتنفيذها وقوع مخاطر وإصابات شخصية بالغة.
- c لا تستخدم الملحقات غير المخصصة وغير الموصى بها من قبل الجهة المصنعة للأداة. لأن الملحقات يمكن توصيلها بالأداة الكهربائية الخاصة بك، فهي لا تضمن سلامة التشغيل.
- d السرعة الموصى بها للملحقات يجب أن تكون على الأقل مساوية للسرعة القصوى الموضحة على الأداة الكهربائية. الملحقات التي تعمل بمعدل أسرع من سرعتها المقررة يمكن أن تنكسر وتتطاير.
- e يجب أن يكون القطر الخارجي وسك الملحقات الخاصة بك في إطار معدل قدرة الأداة الكهربائية التي تستخدمها. لا يمكن حماية الملحقات غير صحيحة المقاس ولا التحكم فيها بشكل مناسب.
- f التركيب المحرز للملحقات يجب أن يكون متوافقاً مع حوزر عمود المشحذ. بالنسبة للملحقات التي يتم تركيبها بالفالانشات يجب أن يكون ثقب قطعة الملحق متوافقاً مع قطر موقع الفالانش. الملحقات غير المتوافقة مع الأجزاء الرئيسية لتركيب الأداة الكهربائية سوف تخرج من التوازن وتهتز بشدة ويمكن أن تتسبب في فقدان التحكم.
- g لا تستخدم ملحقات تالفة. قبل كل استخدام احرص على فحص الملحقات مثل عجلة التجميع من حيث تعرضها لسقوق وخدوش، أو وسادة الدعم من حيث تعرضها لقطع أو تمزقات، أو البلي الزائد أو فرشة الأسلاك من حيث تعرض السلوك لللك أو القطع. إذا تعرضت الأداة الكهربائية أو الملحقات للسقوط، افحصها للتحقق من عدم تلفها أو ركب ملحق غير متضرر. بعد الانتهاء من فحص وتركيب الملحق، احرص على أن تكون أنت والمرافقين بعيدين عن نطاق الملحق الدوار وقم بتشغيل الأداة الكهربائية على أقصى سرعة بدون حمل لمدة دقيقة. الملحقات التالفة في المعتاد سوف تنكسر أثناء فترة الاختبار هذه.
- h ارتد معدات الحماية الشخصية. وفقاً لنوع التطبيق، يمكنك استخدام واقي الوجه أو نظارات الحماية. وبحسب اللزوم احرص على ارتداء قناع الحماية من الأتربة وواقيات الأذن والقفازات ومئزر ورشة العمل بالشكل الذي يعيق إمكانية وصول قطع العمل الصغيرة الحكاكة إلى الجسم. يجب أن يكون واقي العينين قادر على إيقاف البقايا المتطايرة المتولدة عن العمليات المختلفة. قناع الأتربة أو كمامة التنفس يجب أن تكون قادرة على تنقية الجزيئات المتولدة عن العملية. التعرض المستمر لمستوى عالٍ من الضجيج يمكن أن يتسبب في فقدان السمع.
- i احرص على إبعاد المرافقين عن منطقة العمل بمسافة أمان كافية. يجب على أي شخص يدخل منطقة العمل ارتداء معدات الحماية الشخصية. يمكن أن تتطاير شظايا قطع العمل أو الملحقات المكسورة وتتسبب في إلحاق إصابات في منطقة التشغيل وما حولها.
- j احرص على حمل الأداة الكهربائية فقط باستخدام أسطح إمساك معزولة عند استخدامها حيث يمكن أن تتلامس ملحقات التقطيع والأسلاك الخفية أو سلك الأداة. ملحقات التقطيع التي تلامس سلك "حي" يمكن أن تستهدف الأجزاء المعدنية للأداة الكهربائية "الحية" وتتسبب في حدوث صدمة كهربائية للمشغل.

## الغرض من الاستخدام

جلاخة الزاوية "بلاك أند ديكر" BLACK+DECKER™ G650 الخاصة بك صُممت لقطع وصقل المعادن باستخدام النوع المناسب من قرص التخليج. هذه الأداة مخصصة لاستخدام المستهلك فقط.

لا تقم بإعادة هذا المنتج إلى المتجر، اتصل أولاً بـ "بلاك أند ديكر" BLACK+DECKER المحلي لديك أو بأقرب مركز خدمة معتمد.

## قواعد الأمان العامة



تحذير! احرص على قراءة جميع التعليمات واستيعابها. أي قصور في اتباع تعليمات السلامة الموضحة أدناه يمكن أن يؤدي إلى صدمة كهربائية، أو حرق و/أو إصابة شخصية بالغة.

## احتفظ بهذه التعليمات

## تعليمات الأمان

تحذيرات عامة متعلقة بسلامة أداة الطاقة.

تحذير! اقرأ كل تحذيرات الأمان وكل التعليمات. أي قصور في اتباع التحذيرات والتعليمات المبينة بالأسفل يمكن أن يؤدي إلى صدمة كهربائية، أو حرق و/أو إصابات بالغة.

احتفظ بكل التحذيرات والتعليمات للرجوع إليها في المستقبل. يشير مصطلح "الأداة الكهربائية" الوارد في كل التحذيرات المدرجة أدناه إلى أداة التشغيل الرئيسية (التي تعمل بسلك) أو بطارية (بدون سلك).

## 1. سلامة منطقة العمل

a حافظ على منطقة العمل نظيفة ومضاءة جيداً، فالمناطق غير المرتبة أو المظلمة تستدعي وقوع حوادث.

b لا تشغل الأدوات الكهربائية في أجواء قابلة للانفجار، مثل وجود سوائل أو غازات أو غبار قابلة للاشتعال. تطلق الأدوات الكهربائية شرراً يمكن أن يشعل الغبار أو الأذخنة.

c احرص على إبعاد الأطفال والمتواجدين في منطقة العمل عند تشغيل الأداة الكهربائية. مصادر صرف الانتباه يمكن أن تجعلك تفقد القدرة على التحكم.

## 2. السلامة من مخاطر الكهرباء

a يلزم توافق قوايس الأداة الكهربائية مع مقيس التيار الكهربائي. يُحظر تعديل القابيس بأي طريقة. لا تستخدم قوايس مهايبي مع الأدوات الكهربائية المتصلة بالأرضي (مؤرضة). عدم تعديل القابيس واستخدام مخارج تيار مناسبة يحد من مخاطر الصدمات الكهربائية.

b تجنب ملامسة الجسم مع أسطح مؤرضة أو أرضية، مثل المواسير والمدافئ والأفران والمبردات. يزداد خطر التعرض لصدمة كهربائية إذا كان جسمك في وضع تاريز أو أرضي.

c لا تعرض الأدوات الكهربائية للمطر أو لظروف رطبة. سوف يؤدي

تسرب الماء لداخل الأداة الكهربائية إلى زيادة مخاطر التعرض للصدمة الكهربائية.

d لا تسيء استخدام السلك. لا تستخدم السلك مطلقاً في حمل أو سحب الأداة الكهربائية أو فصلها من المقبس. ابق السلك بعيداً عن الحرارة والزيت والحواف الحادة والأجزاء المتحركة. تزيد الأسلاك التالفة أو المتشابكة من مخاطر التعرض للصدمة الكهربائية.

e عند تشغيل الأداة الكهربائية في الخارج، استخدم سلك إطالة مناسب للاستخدام الخارجي. استخدام سلك مناسب لأغراض الاستخدام الخارجي يقلل من مخاطر التعرض للصدمة الكهربائية. ملاحظة: استخدم أداة تعمل بالتيار المتبقي محمي (RCD). استخدام قاطع الدائرة في حالة تعطل الأرضي (GFCI) أو "قاطع الدائرة في حالة تسريب الأرضي (ELCB)".

f إذا لم يكن هناك مقر من تشغيل الأداة الكهربائية في منطقة رطبة، استخدم أداة تعمل بالتيار المتبقي محمي (RCD). استخدام قاطع الدائرة المتبقية (RCD) يقلل من مخاطر التعرض للصدمة الكهربائية. ملاحظة: يمكن استبدال المصطلح قاطع الدائرة المتبقية (RCD) بالمصطلح "قاطع الدائرة في حالة تعطل الأرضي (GFCI)" أو "قاطع الدائرة في حالة تسريب الأرضي (ELCB)".

## 3. السلامة الشخصية

a كن متيقظاً، وراقب ما تفعل واستخدم حسك العام عند تشغيل الأداة الكهربائية. لا تستخدم الأداة الكهربائية عندما تكون مجهذاً أو تحت تأثير المخدرات أو الكحوليات أو الأدوية. في حالة عدم الانتباه عند تشغيل الأداة الكهربائية يمكن أن تتسبب في وقوع إصابات شخصية بالغة.

b استخدم معدات الحماية الشخصية. احرص دائماً على ارتداء واقي العينين. سوف تعمل معدات الحماية، مثل قناع الغبار وأحذية السلامة المقاومة للانزلاق والخوذة الصلبة وواقي الأذن المستخدمة في ظروف مناسبة على تقليل معدل الإصابات الشخصية.

c تجنب بدء العمل بدون قصد. تحقق من أن المفتاح في وضع الإيقاف قبل التوصيل بمصدر الكهرباء و/أو عليه البطارية أو قبل التقاط أو حمل الأداة. إن حمل الأدوات الكهربائية وإصبعك على مفتاح التشغيل أو بينما توجد الأدوات الكهربائية في وضع التشغيل من شأنه التسبب بوقوع حوادث.

d تخلف من أية مفاتيح ضبط أو ربط قبل تشغيل الأداة الكهربائية. يمكن أن يتسبب أي مفتاح ربط أو ضبط موصل بالجزء الدوار من الأداة الكهربائية في وقوع إصابات شخصية.

e تجنب المبالغة. ضع قدميك في وضع مناسب واحتفظ بتزانك في كل الأوقات. حيث يتيح ذلك إمكانية تحكم أفضل في الأداة الكهربائية في المواقف غير المتوقعة.

f ارتد زياً مناسباً. لا ترتد الملابس الفضفاضة أو الحلى. احرص على إبقاء شعرك وملابسك وقفازانك بعيداً عن الأجزاء المتحركة. فقد تعلق الملابس الفضفاضة أو المجوهرات أو الشعر الطويل في الأجزاء المتحركة.



**WARRANTY REGISTRATION CARD**

YOUR NAME/ VOTRE NOM/الإسم \_\_\_\_\_

\_\_\_\_\_

YOUR ADDRESS/ VOTRE ADRESSE/العنوان \_\_\_\_\_

\_\_\_\_\_

\_\_\_\_\_

POSTCODE/ CODE POSTAL/الرمز البريدي \_\_\_\_\_

DATE OF PURCHASE/ JOUR D'ACHAT/تاريخ الشراء \_\_\_\_\_

DEALER'S NAME & ADDRESS/ NOM ET ADRESSE DU VENDEUR/إسم وعنوان البائع \_\_\_\_\_

\_\_\_\_\_

\_\_\_\_\_

PRODUCT MODEL NO. G650

