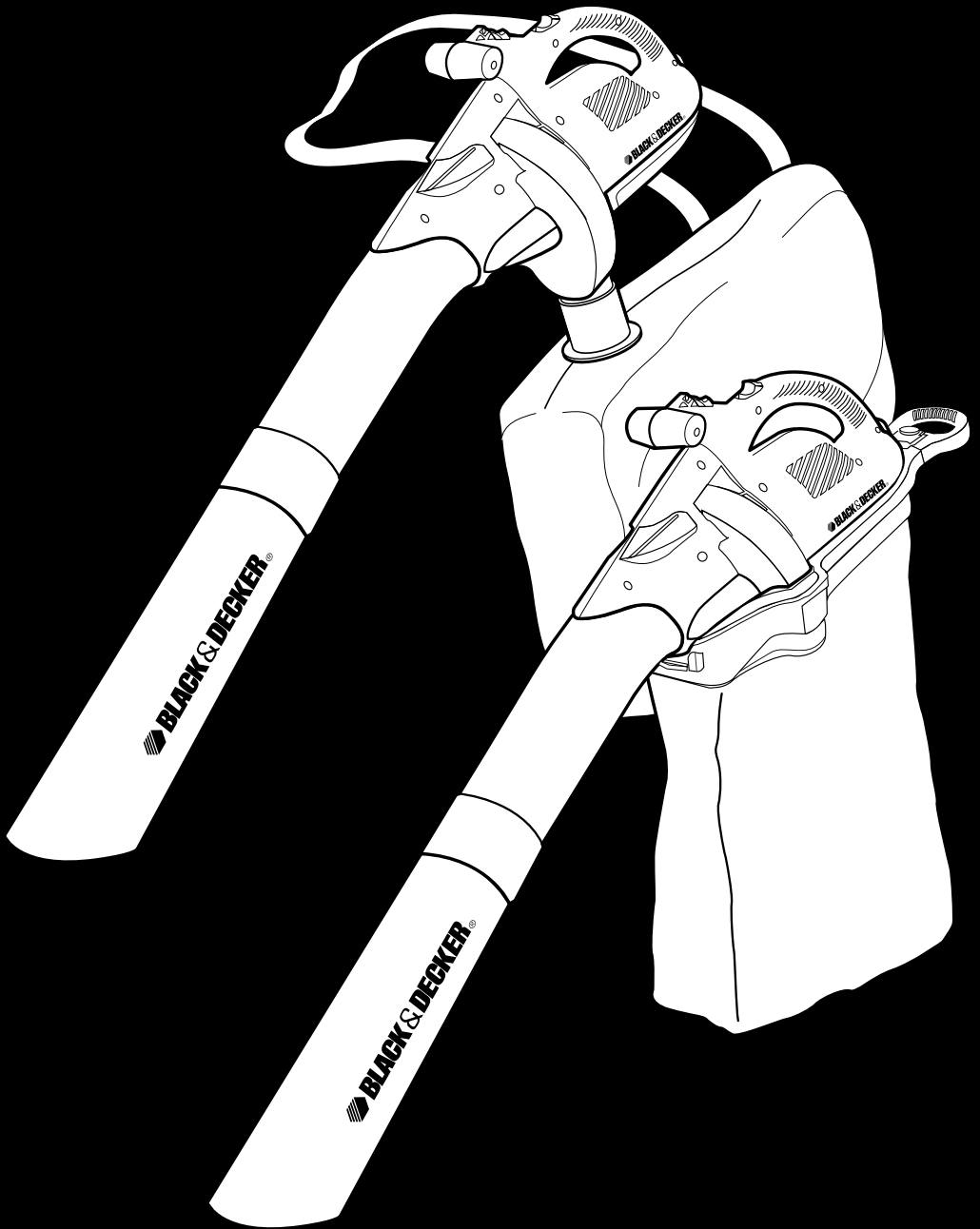
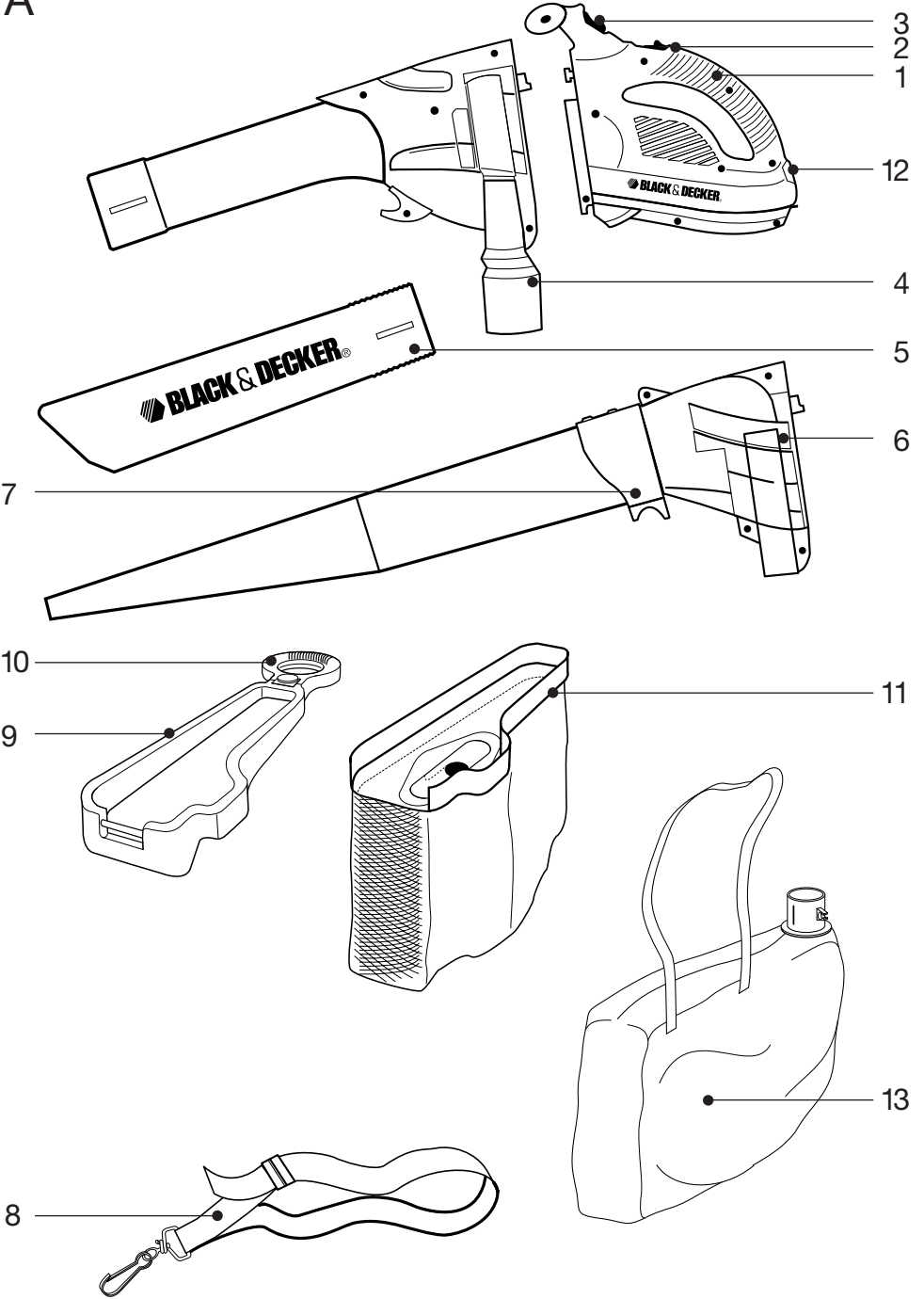
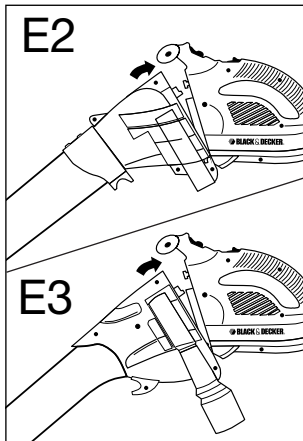
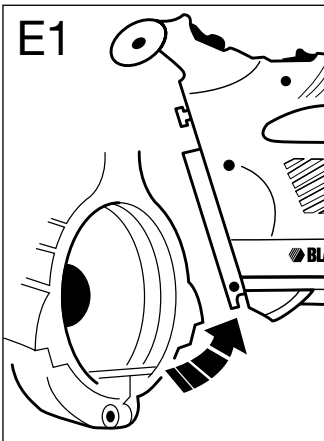
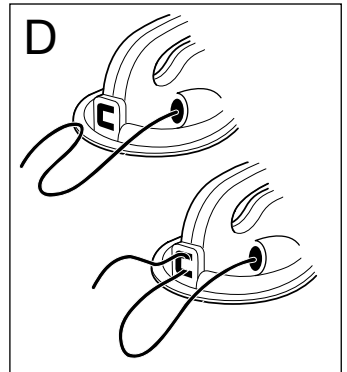
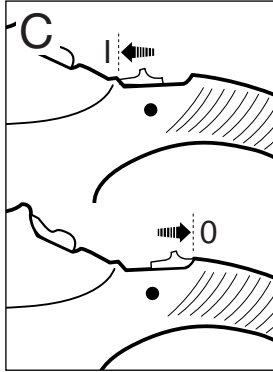
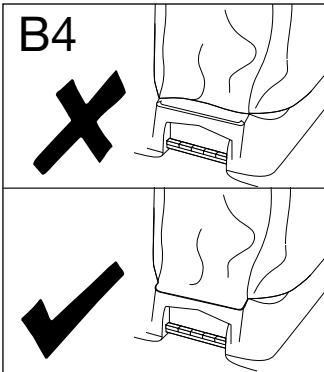
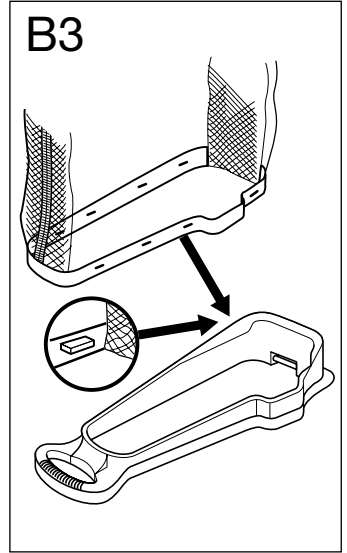
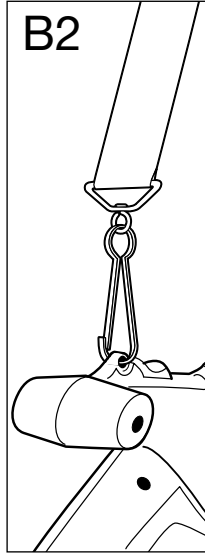
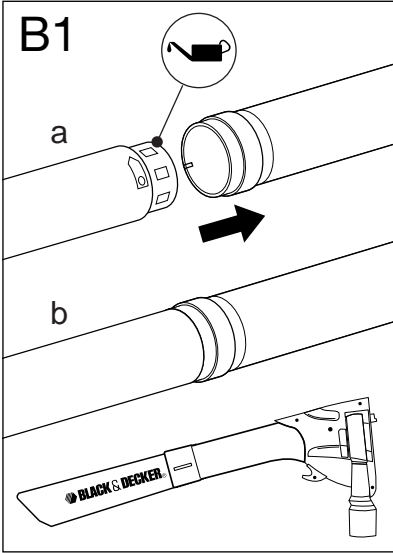


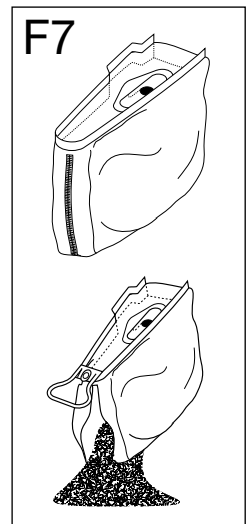
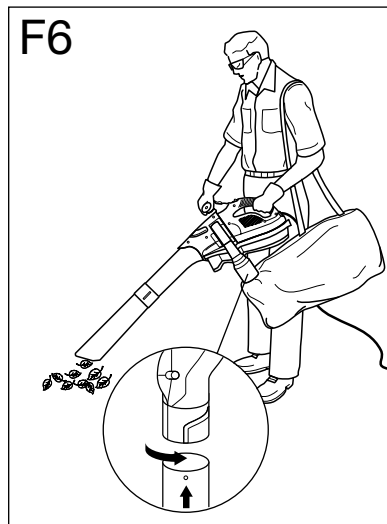
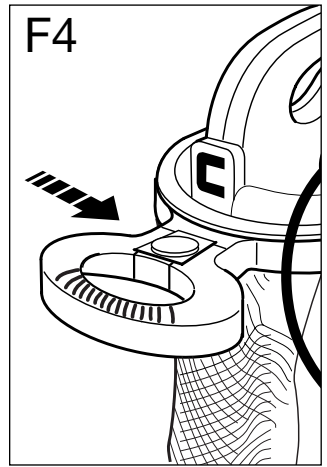
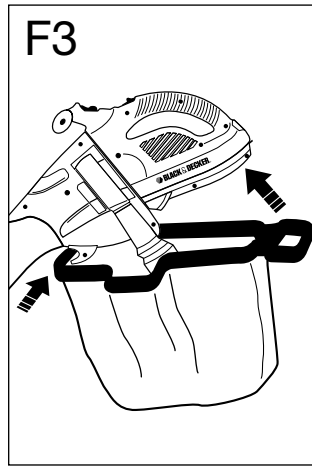
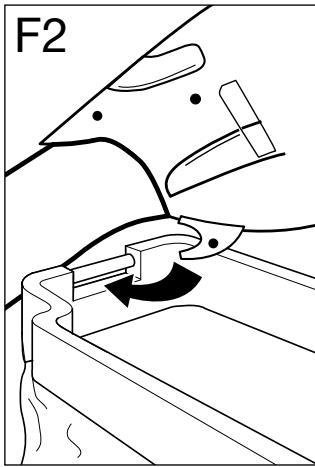
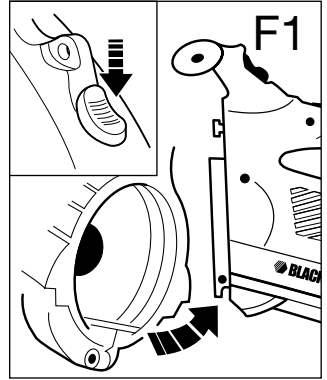
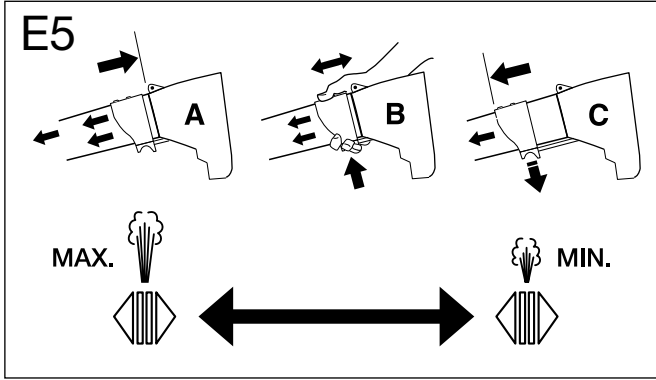
 **BLACK & DECKER®**



A







English



Congratulations!

On purchasing the Black & Decker system which will assure you of problem free leaf clearing.

GW200 - Mastervac

Vacuuuming ✓ Shredding ✓

GW225

Vacuuuming ✓ Shredding ✓ Variable blow speed ✓

GW250 - Mastervac 123

Vacuuuming ✓ Shredding ✓ Variable blow speed ✓

This unit has many features designed for your benefit, including:

- Powerful motor that blows air and will vacuum/mulch.
- Unique 5 blade fan that will shred leaves into small debris in a 7 to 1 ratio.
- Unique blow speed adjuster on blow tube varying blow speed.
- Ergonomic design improves comfort and ease of use.
- Large aperture vacuuming tube to maximise the intake of leaves.
- 35 litre collection bag.

Description (Fig. A)

A Following is a list of parts that will be mentioned in this instruction manual and are shown in the diagrams:

GW200

1. Powerhead
2. On/off switch
3. Release button
4. Vacuum tube upper
5. Vacuum tube lower
8. Carrying strap
9. Bag frame
10. Bag frame release
11. Collection bag
12. Cable restraint

GW225

1. Powerhead
2. On/off switch
3. Release button
4. Vacuum tube upper

5. Vacuum tube lower
6. Blow tube
7. Blow control
12. Cable restraint
13. Collection bag

GW250

1. Powerhead
2. On/off switch
3. Release button
4. Vacuum tube upper
5. Vacuum tube lower
6. Blow tube
7. Blow control
8. Carrying strap
9. Bag frame
10. Bag frame release
11. Collection bag
12. Cable restraint

Know your machine



Read this manual carefully, observing all recommended safety precautions before, during and after using your machine. Maintain your machine in good working order.

Familiarise yourself with the controls on your machine before attempting to operate it, but above all, be sure you know how to stop the machine in an emergency.

Retain this manual and all other literature supplied for future reference.

Safety instructions

Training



- Safe working distance whilst in blow mode.
- Never allow children or persons who are unfamiliar with this type of machine to use it, nor anyone who has not read this manual.
- Do not allow children, animals or other persons near your machine when in use - always keep them at least 6m (20ft) away from the working area.
- Remember that the operator/user is responsible for accidents or hazards occurring to other people or their property.

- Your machine is designed for use on AC (mains) electrical supplies only - do not attempt to use on any other supply.
- Plug your machine into a power point - never a lighting socket. The recommended fuse is 13 amp (UK only).
- Never carry your machine by the cable or jerk the cable. Keep the cable away from heat sources, oils or sharp edges. Check the condition of your cable before use and do not use if damaged.

Preparation

- Do not operate your machine barefoot or in open sandals.
- To protect your feet, always wear stout shoes or boots - freshly cut grass is damp and slippery. Rubber or man made footwear will enhance your safety.
- Use protective equipment. Wear safety spectacles or goggles whilst operating your machine in blow mode.
- Use a face mask if dusty.
- Use ear protection if the sound level seems uncomfortable when using your machine.
- Wear long trousers to protect your legs.



Warning! Secure long hair so it is above shoulder length. Keep loose clothing, ties, tassels and hanging straps away from openings and moving parts.

- The power supply cable should be regularly inspected for signs of damage or ageing, and only used if in good condition.
- Always be sure your machine is in a safe operating condition and all parts are secure before use.
- Do not operate the machine if any parts are defective or worn.
- Do not pick up burning materials such as lit cigarette butts.
- Do not operate the blower/vacuum in a gaseous or explosive atmosphere as motors in these tools normally spark and this may ignite fumes.
- Do not allow the unit to be used by persons under the age of 16 or other persons who have not read this instruction manual. You are responsible if there is an accident.

Operation

- Do not use in vacuum mode without the vacuum tubes and collection bag in place.

Always switch off and remove the plug from the electrical supply when:



- Changing from blower to vacuum.
- The supply cable has become damaged or entangled.
- You leave your machine.
- Clearing a blockage.
- Checking, adjusting, cleaning or working on your machine.
- Do not place the inlet or outlet of the vacuum near eyes or ears when operating.
- Do not use your machine in the rain and do not allow it to get wet. Avoid using the machine in wet conditions.
- Use your machine only in daylight or good artificial light.
- Do not cross gravel paths or roads whilst your machine is switched on during blow/vac mode.
- Always be sure of your footing, particularly on slopes.
- Do not pick up matter that may be contaminated with flammable or combustible liquids such as gasoline, or use in areas where they might be present.
- Do not place any objects into the openings. Never use if the openings are blocked - keep free of hair, lint, dust and anything that may reduce the airflow.



Warning! Always use your machine in the manner outlined in this manual. Your machine is designed to be used in an upright mode and if it is used in any other way it may result in injury. Never run the unit whilst lying on it's side or upside down.

Maintenance and storage

- Store your machine in a dry place when not in use, out of the reach of children.
- Do not use solvents or cleaning fluids to clean your machine - use a blunt scraper to remove grass and dirt. Always disconnect from the electrical supply before cleaning.
- Do not operate your machine if any parts are defective; discard all defective parts and fit new parts before use.
- Keep all nuts, bolts and screws tight to be sure your machine is in a safe working condition.
- Use only Black & Decker recommended replacement parts and accessories.

- Replacement fans are available from a Black & Decker service agent.



Warning! If the supply cord is damaged, it must be replaced by a special cord or assembly available from Black & Decker or a recognised service agent (Black & Decker part number: 372832-01 - UK only and part number: 370017-04 - Australia and New Zealand only).

The Black & Decker policy is one of continuous improvement to their product and as such they reserve the right to change product specification without prior notice.

Double insulation



Your machine is double insulated. This means that all external metal parts are electrically isolated from the power supply. This is achieved by placing an extra insulation barrier between the electrical and mechanical parts. Double insulation means greater electrical safety and obviates the necessity of having the machine earthed.

Electrical safety (UK only)

Your machine should always be switched off at the mains before disconnecting any plug and socket connector or extension cables.

Fuse replacement

If your machine is supplied with cable, fitted with a non-re-wireable plug:

- The plug is fitted with a 13 amp fuse which is the recommended fuse for your machine.
- Only use replacement fuses which are approved to BS1362.
- When changing the fuse in your plug, always ensure the fuse cover is refitted. If the fuse cover is missing or damaged do not use the plug.

Note: Fuses do not give personal protection against electric shock.

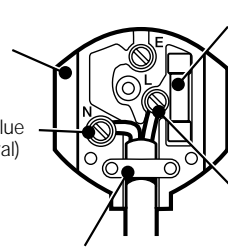
Plug replacement

- Disconnect the plug from the supply.
- Cut off the plug and dispose of immediately. Insertion of a detached plug into a 13 amp socket outlet may result in electric shock.
- Only fit BS1363A approved plugs fitted with the correctly rated fuse.
- The cable wire colours, or a letter, will be marked at the connection points of most good quality plugs. Attach the wires to their respective points in the plug (see above). Brown is for "Live" (L) and blue is for "Neutral" (N).

- Before replacing the top cover of the mains plug ensure that the cable restraint is holding the outer sheath on the cable firmly and that the two leads are correctly fixed at the terminal screws.

Fit a BS1363A approved plug

Connect blue to N (neutral)



Fit the recommended fuse

Connect brown to L (live)

Make sure that the outer sheath of the cable is held firmly by the clamp



240 volts AC only.
Never use a light socket



Warning! Never connect live or neutral wires to the earth pin marked "E" or \perp .

Note: Do not wire an extension cable directly into your machine yourself. Instead, take your machine to your nearest Black & Decker service centre.

Increased safety can be obtained by having a qualified electrician install a high sensitivity (30mA) circuit breaker in the house wiring. If you do not have such a circuit breaker installed, or you do not wish to have one installed, then we strongly recommend that the electrical power to the machine be supplied through a high sensitivity residual current device (RCD). The RCD is designed to provide a high degree of personal protection against harmful electric current should fault conditions occur.



Warning! The use of an RCD or other circuit breaker unit does not release the operator of the machine from the safety instructions and safe working practices given in this manual.

Assembly prior to use (Fig. B & F)

Vacuum tube assembly (Fig. B1)

B

- Vacuum tubes must be assembled together before use.
- To ease assembly apply soapy water solution to joint area.
- Align location ribs on upper (4) and lower (5) tubes.
- Push both parts firmly together until clip is engaged, as per moulded detail. (Never operate apart).
- In the interests of safety, it is not intended for the tubes to be separated once assembled.

Carrying strap assembly (GW200/GW250) (Fig. B2)

- Fit carrying strap to powerhead if required and adjust to suit user.



Warning! The shoulder strap should only be used during vacuum mode. Never use the strap during blow mode.

Bag frame assembly (Figs. B3 & B4)

Secure collection bag (11) to the bag frame (9) as follows:

- Place the frame onto a flat surface with the underside facing upwards.
- Align slots in bag rim with the clip features in the frame, open end of bag rim away from handle.
- Insert rim in groove and push firmly into place until all clips engage.
- Ensure the front edge of the bag is pushed firmly into the channel provided in the bagframe.

Collection bag (GW225) (Fig. F6)

- Attach the collection bag to the vacuum outlet using the bayonet fitting.

F

On/off switch (Fig. C)

C

- The on/off switch (2) is located on the handle of the powerhead.
- To switch the unit on, push the switch forward.
- The switch will not operate if the release button (3) is depressed.
- To switch off, push the switch to the rear.

Cable restraint (Fig. D)

D

- A cable restraint is incorporated into the rear of the powerhead.
- To fix cable, form a loop in the cable and insert as shown.

Using your machine (Fig. E)

When using as a blower or vacuum, always wear safety glasses. If using in dusty conditions, wear a filter mask as well.

Blow mode (GW250)

- Ensure the unit is switched off and disconnected from the mains power supply.

E

- Attach the blow tube (6) to the powerhead (1) (Fig. E1) by locating the tube as shown, then pivot about this point until locking/release catch is fully engaged (Fig. E2).
- Hold the blow tube approximately 7 inches (180mm) above the ground, switch the unit on and using a sweeping motion from side to side, advance slowly

ENGLISH

keeping the accumulated debris/leaves in front of you (Fig. E4).

Blow control (GW225/GW250) (Fig. E5)

- Position A - Maximum blow speed.
- Position B - Blow control can be varied between positions A and C. To do this, depress the latch as shown and slide control forward/backward to obtain desired airspeed, then release the latch to lock.
- Position C - Minimum blow speed.
- Once you have blown the debris/leaves into a pile, you can convert to vacuum mode to collect the debris.

Removing blow/vacuum tube (Fig. F)

F

- Switch off the unit and disconnect from the mains power supply. (If in vac mode, remove the bag).
- To disconnect the tube from the powerhead, depress the release button as shown (Fig. F1), ensuring the tube does not fall to the ground.
- The release button will not depress if on/off switch is in the forward "on" position.

Vacuum mode (Fig. E & F)

E

- Ensure the unit is switched off and disconnected from the mains power supply.
- Attach the vacuum tube in the same way as stated previously for the GW250 blow mode (Fig. E1 & Fig. E3).

F

To fit the bag assembly to the unit:

- Locate the front of the frame into the clip on the underside of the vacuum tube (Fig. F2).
- Lift the handle towards the unit until the latch on the bag frame locates and clicks into position on the rear of the powerhead (Fig. F3). Ensure the bag zip is closed (Fig. F7).
- Position the tube slightly above the debris/leaves. Switch the machine on, then using a sweeping motion the debris/leaves will be sucked up the tube, shredded and thrown into the collection bag (Fig. F5).

- As the bag fills, the power of the suction will decrease, switch off the unit and unplug from the mains power supply.
- Remove the bag frame assembly, depress the bag frame latch (10) as shown in (Fig. F4) and unzip the bag and empty the debris before continuing (Fig. F7).
- Clean your machine regularly.
- Remove any leaves stuck to the inside of the vacuum tube.
- Plastic parts may be cleaned using a mild soap and a cloth dampened with hot water.



Do not use any type of detergent, cleaner or solvent which may contain chemicals that could seriously damage the plastic.

- Self lubricating bearings are used in your machine, therefore lubrication is not required.

Fault finding



Disconnect from the mains power supply before attempting any maintenance.

- Failure to operate**
- (1) Check the connection to the power supply.
 - (2) Check the fuse in the plug, if blown, replace (UK only).
 - (3) Check that the blow/vacuum tube assembly is correctly fitted to the powerhead.
 - (4) If the fuse continues to blow - immediately disconnect from the mains power supply and consult your local Black & Decker service agent.

- Poor vacuum/
high pitched whine**
- (1) Switch off - disconnect from the mains power supply, debris should fall clear of the tube.
 - (2) Remove and empty the collection bag.
 - (3) Check that both the inlet and exit ports on the vacuum tube are clear.
 - (4) Remove any debris from the fan area.
 - (5) If poor vacuuming continues - immediately disconnect from the mains power supply and consult your local Black & Decker service agent.

- Poor shredding**
- (1) Switch off - disconnect from the mains power supply and remove the collection bag.
 - (2) Remove the vacuum tube and inspect the fan.
 - (3) Clean any debris from the fan blades.
 - (4) If the fan is cracked or damaged, do not use - consult your local Black & Decker service agent.

Cleaning your machine



Disconnect from the mains power supply before any cleaning or maintenance is carried out. Keep your machine dry. Under no circumstances spray with water.

What to do if your Black & Decker product needs repair

If your Black & Decker product should need repair the quickest and simplest way is to take or send it back to a Black & Decker service agent, providing proof of purchase if a guarantee repair is required.

If you have any difficulty, please contact our service and information centre at the address towards the back of this manual who will give you every assistance.

Unwanted products and the environment



Should you find one day that your product needs replacement, or is of no further use to you, think of the protection of the environment. Black & Decker service agents will accept your old products and will dispose of them in an environmentally safe way.

Black & Decker lawn and garden guarantee (UK only)

This guarantee provides 36 months parts cover and 12 months labour. Proof of purchase will be required.

If your Black & Decker product becomes defective, within the guarantee period, due to faulty materials and workmanship, we guarantee to either replace all defective parts, or at our discretion, replace the unit free of charge, provided that:

- The product is returned to us or our authorised repairers with evidence of purchase.
- The product has been used within the parameters of its consumer classification.
- The product has not been used for hire purposes.
- Repairs have not been attempted by anyone other than our authorised repair distributors.
- The failure represents normal wear and tear.

This guarantee is offered as an extra benefit and is additional to your statutory rights.

The guarantee policy

Failures due to the following are **not** covered:

- Replacing worn or damaged blades, or cables damaged during storage or use. These are regarded as replacement items which wear during normal usage.
- Failures as a result of sudden impact or obvious abuse.
- Failures due to usage not in accordance with instructions and recommendations contained in this manual.

The use of other than genuine Black & Decker accessories and parts may damage or reduce the performance of your Black & Decker product and may render the guarantee void.

Black & Decker after sales service

Black & Decker offers a nationwide network of authorised service agents.

It is our aim that all Black & Decker customers should be totally satisfied with their Black & Decker product and after sales service, but if help or advice is needed please contact a local Black & Decker authorised repair agent manager who will be happy to help.

Full details of our unique after sales service can be obtained from any of our Black & Decker authorised repair agents.

Other Black & Decker products

Black & Decker has a full range of outdoor power tools that make life easy in the garden. If you would like further information on the following products, please contact our service and information centre at the address towards the back of this manual, or contact your local Black & Decker stockist.

Lawnmowers	Hedgetrimmers
Grass trimmers	Chainsaws
Lawnrakers	Compost shredder

Not every country carries all of these products.

ENGLISH

EC Declaration of Conformity

We declare that units:

GW200, GW225, GW250

conform to 89/392/EEC, 89/336/EEC,
73/23/EEC, EN55104, EN55014, EN60335

A weighted sound pressure 87dB (A)

A weighted sound power 107dB (A)

Hand/arm weighted vibration <2.5m/s²



Brian Cooke

Director of Engineering,
Black & Decker Ltd, Spennymoor, County Durham
DL16 6JG United Kingdom

Australia	Black & Decker (A'asia) Pty Ltd 286-288 Maroondah Highway, North Croydon, Victoria 3136	Tel: 03 9213 8200 Fax: 03 9726 7150
New Zealand	Black & Decker 483 Great South Road Penrose, Auckland	Tel: 09 579 7600 Fax: 09 579 8200
South Africa	Black & Decker South Africa (Pty) Ltd Suite no 107, PostNet X65 Halfway House 1685	Tel: 011 314 4431 Fax: 011 314 4435
United Kingdom	Black & Decker 210 Bath Road, Slough Berkshire SL1 3YD	Tel: 01753 574277 Tlx: 848317 BAND MH Fax: 01753 551155



Address of the dealer where your blowervac was purchased:

Date of your purchase:

Name: _____

House number or name and street: _____

Town: _____

County or state: _____

Postcode: _____

Country: _____

Product catalogue number: **GW2**____

Data protection act: Tick this box if you prefer **not** to receive information from Black & Decker or other companies.

Yes No

Was your blowervac a gift?

Was your blowervac your first purchase?

Was your blowervac bought as a replacement?

What was the price of your blowervac? _____

Address of the dealer where your blowervac was purchased:

GUARANTEE CARD

South Africa: Black & Decker South Africa (Pty) Ltd, Suite no 107, PostNet X65, Halfway House 1685

United Kingdom & Ireland: PO Box 821, Slough, Berkshire, SL1 3AR



Please complete this section immediately after the purchase of your blowervac and post it to the Black & Decker address in your country (above).

If you live in Australia or New Zealand, please register your purchase by using the alternative guarantee card supplied.