

BLACK+ DECKER®

English (<i>original instructions</i>)	4
Deutsch (<i>Übersetzung der Originalanweisung</i>)	8
Français (<i>traduction de la notice d'instructions originale</i>)	12
Italiano (<i>tradotto dalle istruzioni originali</i>)	16
Nederlands (<i>vertaald vanuit de originele instructies</i>)	20
Español (<i>traducido de las instrucciones originales</i>)	24
Português (<i>traduzido das instruções originais</i>)	28
Svenska (<i>översatt från de ursprungliga instruktionerna</i>)	32
Norsk (<i>oversatt fra de originale instruksjonene</i>)	36
Dansk (<i>oversat fra original brugsvejledning</i>)	40
Suomi (<i>käännetty alkuperäisestä käyttöohjeesta</i>)	44
Ελληνικά (<i>μετάφραση από τις πρωτότυπες οδηγίες</i>)	48



Fig. A

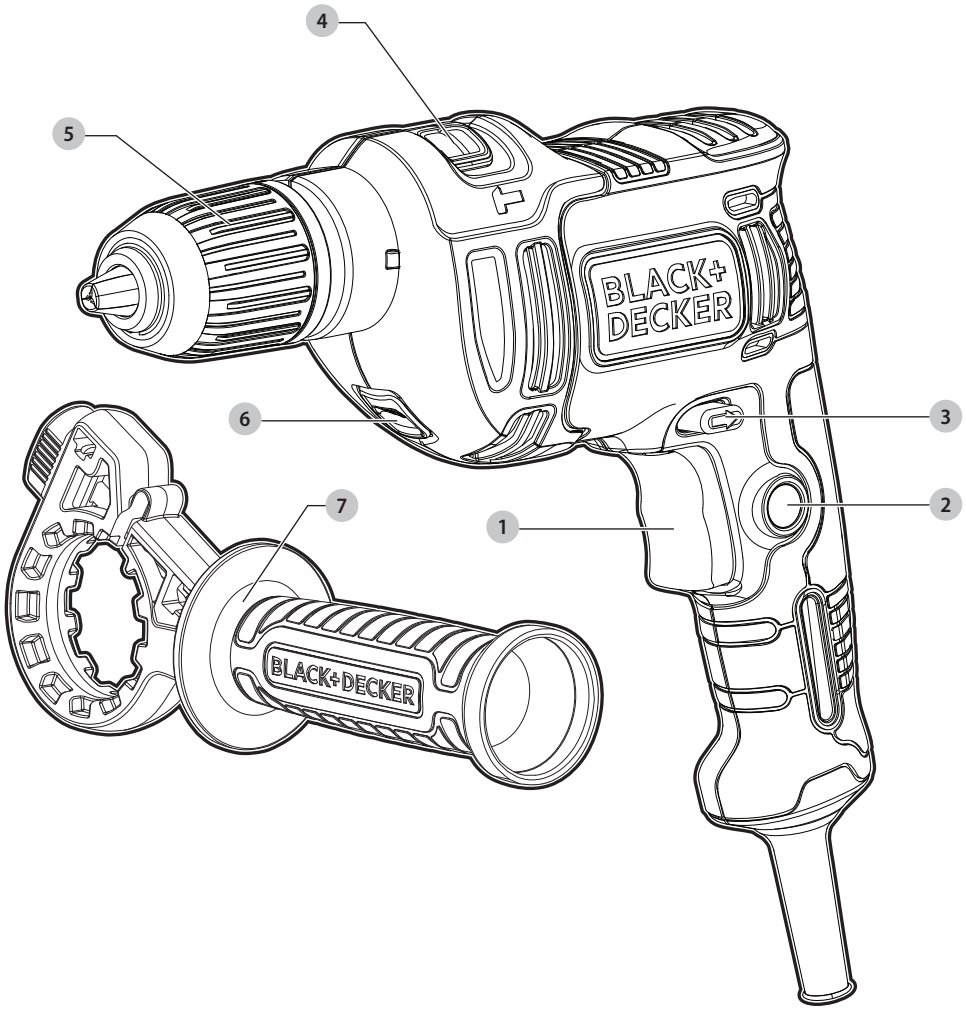


Fig. B

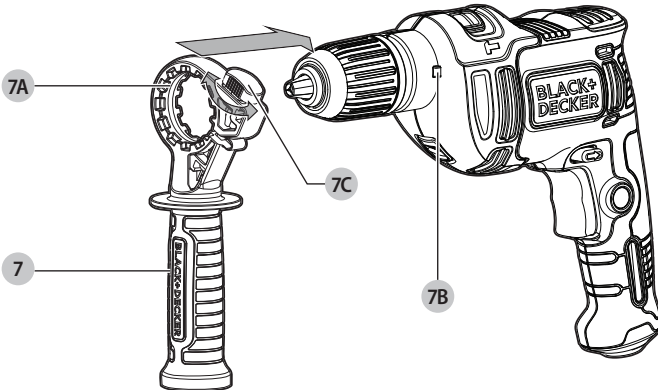


Fig. C

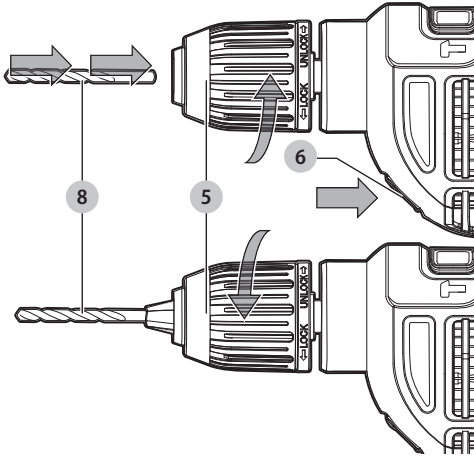


Fig. D

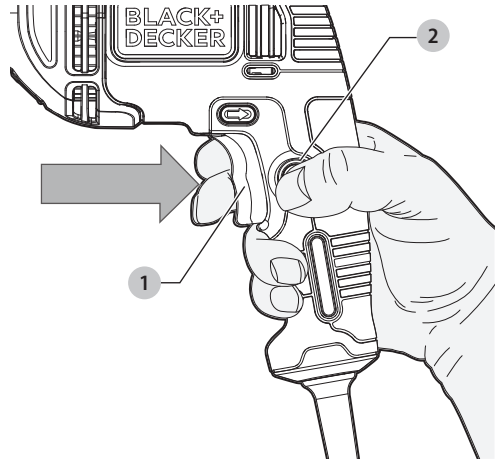


Fig. E

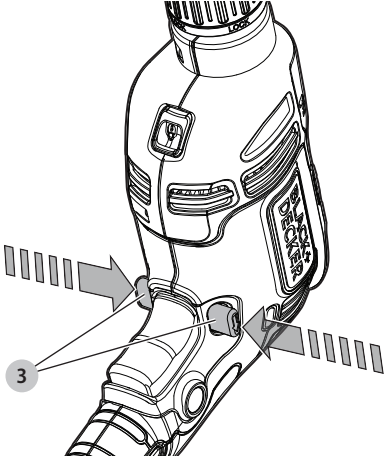


Fig. F

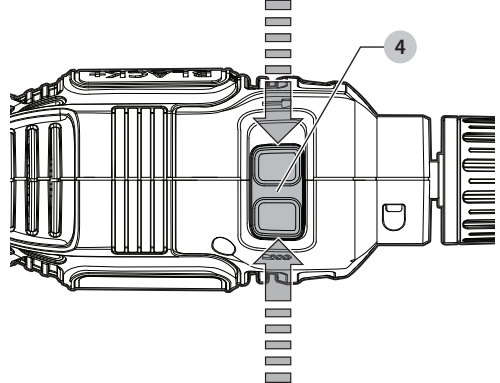
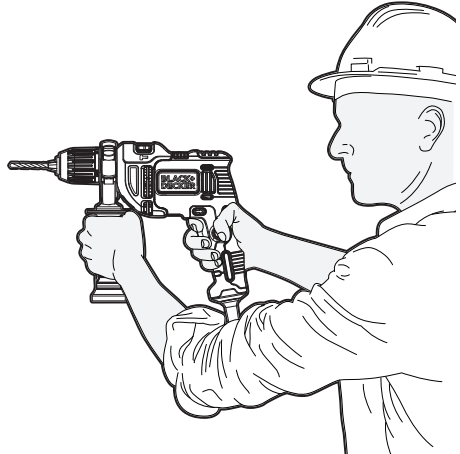


Fig. G



Intended Use

Your BLACK+DECKER BEH550, BEH710 Impact drill has been designed for drilling in wood, metal, plastics, and masonry as well as for screwdriving purposes. This tool is intended for consumer use only.

GENERAL POWER TOOL SAFETY WARNINGS

▲ WARNING: Read all safety warnings, instructions, illustrations and specifications provided with this power tool. Failure to follow all instructions listed below may result in electric shock, fire and/or serious injury.

SAVE ALL WARNINGS AND INSTRUCTIONS FOR FUTURE REFERENCE

The term "power tool" in the warnings refers to your mains-operated (corded) power tool or battery-operated (cordless) power tool.

1) Work Area Safety

- a) **Keep work area clean and well lit.** Cluttered or dark areas invite accidents.
- b) **Do not operate power tools in explosive atmospheres, such as in the presence of flammable liquids, gases or dust.** Power tools create sparks which may ignite the dust or fumes.
- c) **Keep children and bystanders away while operating a power tool.** Distractions can cause you to lose control.

2) Electrical Safety

- a) **Power tool plugs must match the outlet. Never modify the plug in any way. Do not use any adapter plugs with earthed (grounded) power tools.** Unmodified plugs and matching outlets will reduce risk of electric shock.
- b) **Avoid body contact with earthed or grounded surfaces, such as pipes, radiators, ranges and refrigerators.** There is an increased risk of electric shock if your body is earthed or grounded.
- c) **Do not expose power tools to rain or wet conditions.** Water entering a power tool will increase the risk of electric shock.
- d) **Do not abuse the cord. Never use the cord for carrying, pulling or unplugging the power tool. Keep cord away from heat, oil, sharp edges or moving parts.** Damaged or entangled cords increase the risk of electric shock.
- e) **When operating a power tool outdoors, use an extension cord suitable for outdoor use.** Use of a cord suitable for outdoor use reduces the risk of electric shock.
- f) **If operating a power tool in a damp location is unavoidable, use a residual current device (RCD) protected supply.** Use of an RCD reduces the risk of electric shock.

3) Personal Safety

- a) **Stay alert, watch what you are doing and use common sense when operating a power tool. Do not use a power tool while you are tired or under the influence of drugs, alcohol or medication.** A moment of inattention while operating power tools may result in serious personal injury.
- b) **Use personal protective equipment. Always wear eye protection.** Protective equipment such as a dust mask, non-skid safety shoes, hard hat or hearing protection used for appropriate conditions will reduce personal injuries.
- c) **Prevent unintentional starting. Ensure the switch is in the off position before connecting to power source and/or battery pack, picking up or carrying the tool.** Carrying power

tools with your finger on the switch or energising power tools that have the switch on invites accidents.

- d) **Remove any adjusting key or wrench before turning the power tool on.** A wrench or a key left attached to a rotating part of the power tool may result in personal injury.
- e) **Do not overreach. Keep proper footing and balance at all times.** This enables better control of the power tool in unexpected situations.
- f) **Dress properly. Do not wear loose clothing or jewellery. Keep your hair and clothing away from moving parts.** Loose clothes, jewellery or long hair can be caught in moving parts.
- g) **If devices are provided for the connection of dust extraction and collection facilities, ensure these are connected and properly used.** Use of dust collection can reduce dust-related hazards.
- h) **Do not let familiarity gained from frequent use of tools allow you to become complacent and ignore tool safety principles.** A careless action can cause severe injury within a fraction of a second.

4) Power Tool Use and Care

- a) **Do not force the power tool. Use the correct power tool for your application.** The correct power tool will do the job better and safer at the rate for which it was designed.
 - b) **Do not use the power tool if the switch does not turn it on and off.** Any power tool that cannot be controlled with the switch is dangerous and must be repaired.
 - c) **Disconnect the plug from the power source and/or remove the battery pack, if detachable, from the power tool before making any adjustments, changing accessories, or storing power tools.** Such preventive safety measures reduce the risk of starting the power tool accidentally.
 - d) **Store idle power tools out of the reach of children and do not allow persons unfamiliar with the power tool or these instructions to operate the power tool.** Power tools are dangerous in the hands of untrained users.
 - e) **Maintain power tools and accessories. Check for misalignment or binding of moving parts, breakage of parts and any other condition that may affect the power tool's operation. If damaged, have the power tool repaired before use.** Many accidents are caused by poorly maintained power tools.
 - f) **Keep cutting tools sharp and clean.** Properly maintained cutting tools with sharp cutting edges are less likely to bind and are easier to control.
 - g) **Use the power tool, accessories and tool bits, etc. in accordance with these instructions, taking into account the working conditions and the work to be performed.** Use of the power tool for operations different from those intended could result in a hazardous situation.
 - h) **Keep handles and grasping surfaces dry, clean and free from oil and grease.** Slippery handles and grasping surfaces do not allow for safe handling and control of the tool in unexpected situations.
- #### 5) Service
- a) **Have your power tool serviced by a qualified repair person using only identical replacement parts.** This will ensure that the safety of the power tool is maintained.

Safety Instructions for All Operations

- **Wear ear protectors when impact drilling.** *Exposure to noise can cause hearing loss.*
- **Use the auxiliary handle(s).** *Loss of control can cause personal injury.*
- **Brace the tool properly before use.** *This tool produces a high output torque and without properly bracing the tool during operation, loss of control may occur resulting in personal injury.*
- **Hold the power tool by insulated gripping surfaces, when performing an operation where the cutting accessory may contact hidden wiring or its own cord.** *Cutting accessory contacting a "live" wire may make exposed metal parts of the power tool "live" and could give the operator an electric shock.*

Safety Instructions when using long drill bits

- **Never operate at higher speed than the maximum speed rating of the drill bit.** *At higher speeds, the bit is likely to bend if allowed to rotate freely without contacting the workpiece, resulting in personal injury.*
- **Always start drilling at low speed and with the bit tip in contact with the workpiece.** *At higher speeds, the bit is likely to bend if allowed to rotate freely without contacting the workpiece, resulting in personal injury.*
- **Apply pressure only in direct line with the bit and do not apply excessive pressure.** *Bits can bend causing breakage or loss of control, resulting in personal injury.*

Additional safety warnings for drill/driver/hammerdrill

- *Use clamps or other practical way to secure and support the workpiece to a stable platform. Holding the workpiece by hand or against your body is unstable and may lead to loss of control.*
- *Accessories and tool may get hot during operation. Wear gloves when handling them if performing heat producing applications such as drilling metals.*
- *Air vents often cover moving parts and should be avoided. Loose clothes, Jewellery or long hair can be caught in moving parts.*
- *Wear safety goggles or other eye protection. Hammering and drilling operations cause chips to fly. Flying particles can cause permanent eye damage.*
- *Wear ear protectors when impact drilling. Exposure to noise can cause hearing loss.*
- *Use auxiliary handle(s), if supplied with the tool. Loss of control can cause personal injury.*
- *Do not operate this tool for long periods of time. Vibration caused by tool action may be harmful to your hands and arms. Use gloves to provide extra cushion and limit exposure by taking frequent rest periods.*

Safety of others

- *This appliance can be used by children aged from 8 years and above and persons with reduced physical, sensory or mental capabilities or lack of experience and knowledge if they have been given supervision or instruction concerning use of the appliance in a safe way and understand the hazards involved.*
- *Children shall not play with the appliance. Cleaning and user maintenance shall not be made by children without supervision.*

Residual risks

Additional residual risks may arise when using the tool which may not be included in the enclosed safety warnings. These risks can arise from misuse, prolonged use etc.

Even with the application of the relevant safety regulations and the implementation of safety devices, certain residual risks can not be avoided. These include:

- *Injuries caused by touching any rotating/moving parts.*
- *Injuries caused when changing any parts, blades or accessories.*
- *Injuries caused by prolonged use of a tool. When using any tool for prolonged periods ensure you take regular breaks.*
- *Impairment of hearing.*
- *Health hazards caused by breathing dust developed when using your tool (example: working with wood, especially oak, beech and MDF).*

Vibration

The declared vibration emission values stated in the **technical data** and the **declaration of conformity** have been measured in accordance with a standard test method provided by EN62841 and may be used for comparing one tool with another. The declared vibration emission value may also be used in a preliminary assessment of exposure.

▲ WARNING! *The vibration emission value during actual use of the power tool can differ from the declared value depending on the ways in which the tool is used. The vibration level may increase above the level stated.*

When assessing vibration exposure to determine safety measures required by 2002/44/EC to protect persons regularly using power tools in employment, an estimation of vibration exposure should consider, the actual conditions of use and the way the tool is used, including taking account of all parts of the operating cycle such as the times when the tool is switched off and when it is running idle in addition to the trigger time.

Labels on tool

The following pictograms are shown on the tool along with the date code:



WARNING! *To reduce the risk of injury, the user must read the instruction manual.*

Electrical safety



This tool is double insulated; therefore no earth wire is required. Always check that the power supply corresponds to the voltage on the rating plate.

- *If the supply cord is damaged, it must be replaced by the manufacturer or an authorised BLACK+DECKER Service Centre in order to avoid a hazard.*

Features (Fig. A)

This tool includes some or all of the following features.

- 1 Variable speed switch
- 2 Lock on button
- 3 Forward/reverse switch
- 4 Drilling mode selector
- 5 Chuck
- 6 Chuck lock
- 7 Side handle

ASSEMBLY

▲ WARNING! *Before assembly, make sure that the tool is switched off and unplugged.*

Fitting the side handle (Fig. B)

- Turn the knob **7C** counterclockwise until you can slide the side handle **7** onto the front of the tool as shown.
- Rotate the side handle into the desired position ensuring that the notches **7A** engage with the sprocket **7B**.
- Tighten the side handle by turning the knob **7C** clockwise.

NOTE: The side handle can be positioned, depending on personal preference.

Fitting an accessory (Fig. C)

- Press the chuck lock **6**.
- Open the chuck **5** by turning the sleeve counterclockwise.
- Insert the bit shaft **8** into the chuck.
- Tighten the chuck by turning the sleeve clockwise.

USE

▲ WARNING! Let the tool work at its own pace. Do not overload.

▲ WARNING! Before drilling into walls, floors or ceilings, check for the location of wiring and pipes.

Switching on and off (Fig. D, G)

- To switch the tool on, press the variable speed switch **1**. The tool speed depends on how far you press the switch.
- For continuous operation, press the lock-on button **2** and release the variable speed switch. This option does not work in reverse rotation.
- To switch the tool off, release the variable speed switch. To switch the tool off when in continuous operation, press the variable speed switch once more and release it. Always hold the tool as shown in Figures D and G.

Selecting the direction of rotation (Fig. E)

For drilling and tightening screws, use forward (clockwise) rotation. For loosening screws or removing a jammed drill bit, use reverse (counterclockwise) rotation.

- To select forward rotation, push the forward/reverse slider **3** to the left.
- To select reverse rotation, push the forward/reverse slider to the right.

▲ WARNING! Never change the direction of rotation while the motor is running.

Selecting the drilling mode (Fig. F)

For impact drilling in masonry and concrete, set the drilling mode selector **4** to the **T** position.

For drilling in steel, wood and plastics or for screwdriving set the operating mode selector **4** to the **1** position.

Accessories

The performance of your tool depends on the accessory used. BLACK+DECKER accessories are engineered to high quality standards and designed to enhance the performance of your tool. By using these accessories you will get the very best from your tool.

MAINTENANCE

Your BLACK+DECKER corded/cordless appliance/tool has been designed to operate over a long period of time with a minimum of maintenance. Continuous satisfactory operation depends upon proper tool care and regular cleaning.

▲ WARNING! Before performing any maintenance on corded/cordless power tools:

- Switch off and unplug the appliance/tool.
- Or switch off and remove the battery from the appliance/tool if the appliance/tool has a separate battery pack.
- Or run the battery down completely if it is integral and then switch off.
- Unplug the charger before cleaning it. Your charger does not require any maintenance apart from regular cleaning.
- Regularly clean the ventilation slots in your appliance/tool/charger using a soft brush or dry cloth.
- Regularly clean the motor housing using a damp cloth. Do not use any abrasive or solvent-based cleaner.
- Regularly open the chuck and tap it to remove any dust from the interior (when fitted).


Mains plug replacement (U.K. & Ireland only)

If a new mains plug needs to be fitted:

- Safely dispose of the old plug.
- Connect the brown lead to the live terminal in the new plug.
- Connect the blue lead to the neutral terminal.

▲ WARNING! No connection is to be made to the earth terminal. Follow the fitting instructions supplied with good quality plugs. Recommended fuse: 5 A.

Protecting the environment

 Separate collection. Products and batteries marked with this symbol must not be disposed of with normal household waste. Products and batteries contain materials that can be recovered or recycled reducing the demand for raw materials.

Please recycle electrical products and batteries according to local provisions.

Further information is available at www.2helpU.com.

Technical data

		BEH550 Type2	BEH710 Type2
Voltage	V_{AC}	230	230
Rated power	W	550	710
No-load speed	min^{-1}	0 ~ 2800	0 ~ 2800
Impact rate	min^{-1}	0 ~ 47600	0 ~ 47600
Weight	kg	1.7	1.76
Max. drilling capacity			
Concrete	mm	13	13
Steel	mm	13	13
Wood	mm	25	25

BEH550 Level of sound pressure according to EN 62841:

Sound pressure (L_{pA}) 96.5 dB(A), uncertainty (K) 5 dB(A)

Sound power (L_{wA}) 104.5 dB(A), uncertainty (K) 5 dB(A)

BEH710 Level of sound pressure according to EN 62841:

Sound pressure (L_{pA}) 98.5 dB(A), uncertainty (K) 5 dB(A)

Sound power (L_{wA}) 106.5 dB(A), uncertainty (K) 5 dB(A)

BEH550 Vibration total values (triax vector sum) according to EN 62841:

Impact drilling into concrete ($a_{h,v}$) 14.8 m/s^2 , uncertainty (K) 1.5 m/s^2

Drilling into metal ($a_{h,v}$) 1.8 m/s^2 , uncertainty (K) 1.5 m/s^2

**BEH710 Vibration total values (triax vector sum) according to
EN 62841:**Impact drilling into concrete ($a_{h,v}$) 16.2 m/s², uncertainty (K) 1.5 m/s²
Drilling into metal ($a_{h,v}$) 1.9 m/s², uncertainty (K) 1.5 m/s²**Declaration of conformity
The Supply of Machinery (Safety)
Regulations 2008**

BEH550, BEH710 Impact Drill

BLACK+DECKER declares that these products described under
"technical data" are in compliance with:The Supply of Machinery (Safety) Regulations, 2008, S.I.
2008/1597 (as amended),
EN 62841-1:2015+A11:2022,

EN 62841-2-1:2018+A11:2019+A1:2022+A12:2022

These products also conform to the following UK Regulations:
Electromagnetic Compatibility Regulations, 2016,
S.I.2016/1091 (as amended).The Restriction of the Use of Certain Hazardous Substances
in Electrical and Electronic Equipment Regulations 2012, S.I.
2012/3032 (as amended).For more information, please contact BLACK+DECKER at the
following address or refer to the back of the manual.The undersigned is responsible for compilation of the
technical file and makes this declaration on behalf of
BLACK+DECKER.Ed Higgins
Director - Consumer Power Tools
BLACK+DECKER UK, 270 Bath Road,
Slough
Berkshire, SL1 4DX
United Kingdom
02/08/2023**EC declaration of conformity**

MACHINERY DIRECTIVE



BEH550, BEH710 Impact drill

Black & Decker declares that these products described
under "technical data" are in compliance with:

2006/42/EC, EN 62841-1:2015+A11:2022,

EN 62841-2-1:2018+A11:2019+A1:2022+A12:2022

These products also comply with Directive 2014/30/EU and
2011/65/EU. For more information, please contact Black
& Decker at the following address or refer to the back of
the manual.The undersigned is responsible for compilation of the technical
file and makes this declaration on behalf of Black & Decker.Patrick Diepenbach
General Manager, Benelux
BLACK+DECKER,**Guarantee**Black & Decker is confident of the quality of its products
and offers consumers a 24-month guarantee from the date
of purchase.This guarantee is in addition to and in no way prejudices your
statutory rights.The guarantee is valid within the territories of the Member
States of the European Union, the European Free Trade Area and
the United Kingdom.To claim on the guarantee, the claim must be in accordance
with Black & Decker Terms and Conditions and you will need
to submit proof of purchase to the seller or an authorised
repair agent.Terms and conditions of the Black & Decker 2-year guarantee
and the location of your nearest authorised repair agent can
be obtained on the Internet at www.2helpU.com, or by
contacting your local Black & Decker office at the address
indicated in this manual.Please visit our website www.blackanddecker.eu to register
your new Black & Decker product and receive updates on new
products and special offers.

Verwendungszweck

Ihre BLACK+DECKER BEH550, BEH710 Schlagbohrmaschine wurde zum Bohren von Holz, Metall, Kunststoff und Mauerwerk sowie für Schraubarbeiten entwickelt. Dieses Gerät ist nicht für den gewerblichen Einsatz vorgesehen.

ALLGEMEINE SICHERHEITSWARNHINWEISE FÜR ELEKTROWERKZEUGE

▲ WARNUNG: Beachten Sie alle Sicherheitshinweise, Anweisungen, Darstellungen und Daten, die Sie mit dem Gerät erhalten. Wenn Sie die folgenden Anweisungen nicht beachten, kann es zu elektrischem Schlag, Feuer und/oder schweren Verletzungen kommen.

BEWAHREN SIE ALLE WARNHINWEISE UND ANWEISUNGEN ZUM SPÄTEREN NACHSCHLAGEN AUF

Der Begriff „Elektrowerkzeug“ in den Warnhinweisen bezieht sich auf Ihr netzbetriebenes Elektrowerkzeug (mit Kabel) oder auf Ihr akkubetriebenes (kabelloses) Elektrowerkzeug.

1) Sicherheit im Arbeitsbereich

a) **Halten Sie den Arbeitsbereich sauber und gut ausgeleuchtet.** Unaufgeräumte oder dunkle Bereiche begünstigen Unfälle.

b) **Betreiben Sie das Elektrowerkzeug nicht in explosionsgefährdeten Umgebungen, in denen sich z. B. brennbare Flüssigkeiten, Gase oder Staub befinden.** Elektrowerkzeuge erzeugen Funken, die den Staub oder die Dämpfe entzünden können.

c) **Halten Sie Kinder und Zuschauer fern, während Sie ein Elektrogerät betreiben.** Ablenkung kann dazu führen, dass Sie die Kontrolle über das Gerät verlieren.

2) Elektrische Sicherheit

a) **Der Stecker des Elektrogerätes muss in die Steckdose passen. Ändern Sie niemals den Stecker in irgendeiner Form. Verwenden Sie keinerlei Adapterstecker an geerdeten Elektrogeräten.** Unveränderte Stecker und passende Steckdosen mindern die Gefahr eines elektrischen Schlages.

b) **Vermeiden Sie Körperkontakt mit geerdeten Flächen, wie Rohre, Radiatoren, Herde und Kühlgeräte.** Es besteht eine erhöhte Gefahr für einen elektrischen Schlag, wenn Ihr Körper geerdet ist.

c) **Setzen Sie Elektrogeräte keinem Regen oder feuchter Umgebung aus.** Wenn Wasser in das Elektrogerät eindringt, erhöht sich die Gefahr eines elektrischen Schlages.

d) **Überlasten Sie das Kabel nicht. Verwenden Sie niemals das Kabel, um das Elektrogerät zu tragen oder durch Ziehen vom Netz zu trennen. Halten Sie das Kabel fern von Hitze, Öl, scharfen Kanten oder beweglichen Teilen.** Beschädigte oder verhedderte Kabel erhöhen die Gefahr eines elektrischen Schlages.

e) **Wenn Sie ein Elektrogerät im Freien betreiben, verwenden Sie ein für den Außeneinsatz geeignetes Verlängerungskabel.** Die Verwendung von für den Außeneinsatz geeigneten Kabeln mindert die Gefahr eines elektrischen Schlages.

f) **Wenn der Betrieb eines Elektrogerätes in feuchter Umgebung unumgänglich ist, verwenden Sie eine durch einen Fehlerstromschutzschalter (FI-Schalter oder Rcd) geschützte Stromversorgung.** Der Einsatz eines Fehlerstromschutzschalters mindert die Gefahr eines elektrischen Schlages.

3) Sicherheit von Personen

a) **Seien Sie aufmerksam, achten Sie darauf, was Sie tun, und gehen Sie mit Vernunft an die Arbeit mit einem Elektrowerkzeug. Benutzen Sie kein Elektrowerkzeug, wenn Sie müde sind oder unter dem Einfluss von Drogen, Alkohol oder Medikamenten stehen.** Ein Moment der Unachtsamkeit beim Betrieb eines Elektrogerätes kann zu schweren Verletzungen führen.

b) **Tragen Sie persönliche Schutzausrüstung und immer eine Schutzbrille.** Das Tragen persönlicher Schutzausrüstung, wie Staubmaske, rutschfeste Sicherheitsschuhe, Schutzhelm oder Gehörschutz, je nach Art und Einsatz des Elektrowerkzeuges, verringert das Risiko von Verletzungen.

c) **Vermeiden Sie unbeabsichtigtes Starten. Vergewissern Sie sich, dass der Schalter in der AUS-Position ist, bevor Sie das Gerät an die Stromversorgung und/oder an den Akku anschließen oder wenn Sie das Gerät aufnehmen oder tragen.** Wenn Sie beim Tragen des Elektrowerkzeuges den Finger am Schalter haben oder das Gerät eingeschaltet an die Stromversorgung anschließen, kann dies zu Unfällen führen.

d) **Entfernen Sie alle Einstellschlüssel oder Werkzeuge, bevor Sie das Elektrogerät einschalten.** Werkzeuge oder Schlüssel, die an rotierenden Teilen des Elektrogerätes angebracht sind, können zu Verletzungen führen.

e) **Vermeiden Sie eine abnormale Körperhaltung. Sorgen Sie für einen sicheren Stand und halten Sie jederzeit das Gleichgewicht.** Dadurch können Sie das Elektrowerkzeug in unerwarteten Situationen besser kontrollieren.

f) **Tragen Sie geeignete Kleidung. Tragen Sie keine weite Kleidung und keinen Schmuck. Halten Sie Ihre Haare, Kleidung und Handschuhe von beweglichen Teilen fern.** Lose sitzende Kleidung, Schmuck oder lange Haare können sich in den beweglichen Teilen verfangen.

g) **Wenn Geräte für den Anschluss an eine Staubabsaugung und Staubsammlung vorgesehen sind, vergewissern Sie sich, dass diese richtig angeschlossen sind und verwendet werden.** Der Einsatz von Staubsammlern kann staubbedingte Gefahren mindern.

h) **Vermeiden Sie, durch die häufige Nutzung des Werkzeugs in einen Trott zu verfallen und Prinzipien für die Werkzeugsicherheit zu ignorieren.** Eine unachtsame Aktion kann im Bruchteil einer Sekunde zu schweren Verletzungen führen.

4) Verwendung und Pflege des Elektrogerätes

a) **Überlasten Sie das Elektrogerät nicht. Verwenden Sie das für Ihre Arbeit passende Elektrogerät.** Das richtige Gerät wird die Aufgabe besser und sicherer erledigen, wenn es bestimmungsgemäß verwendet wird.

b) **Benutzen Sie kein Elektrowerkzeug, dessen Schalter defekt ist.** Ein Elektrowerkzeug, das sich nicht mehr ein- oder ausschalten lässt, ist gefährlich und muss repariert werden.

c) **Trennen Sie den Stecker vom Netz und/oder den Akku (sofern abnehmbar) vom Elektrowerkzeug, bevor Sie Einstellungen am Gerät vornehmen, Zubehör wechseln oder es aufbewahren.** Diese Vorbeugemaßnahmen mindern die Gefahr, dass das Elektrogerät unbeabsichtigt startet.

d) **Bewahren Sie nicht verwendete Elektrogeräte für Kinder unerreikbaar auf und lassen Sie nicht zu, dass Personen ohne Erfahrung mit dem Elektrogerät oder mit diesen Anweisungen das Elektrogerät bedienen.** Elektrogeräte sind in den Händen nicht geschulter Personen gefährlich.

e) **Warten Sie die Elektrogeräte. Prüfen Sie, ob bewegliche Teile verzogen oder ausgeschlagen, ob Teile gebrochen oder in einem Zustand sind, der den Betrieb des Elektrogerätes beeinträchtigen kann. Bei Beschädigungen lassen Sie das Elektrogerät reparieren, bevor Sie es verwenden.** Viele Unfälle entstehen wegen mangelnder Wartung der Elektrogeräte.

f) **Halten Sie Schneidwerkzeuge scharf und sauber.** Richtig gewartete Schneidwerkzeuge mit scharfen Klingen blockieren seltener und sind leichter unter Kontrolle zu halten.

g) **Verwenden Sie Elektrogeräte, Zubehör und Einsätze (Bits) usw. gemäß diesen Anweisungen und unter Berücksichtigung der Arbeitsbedingungen und der Aufgabe.** Wenn Sie das Elektrogerät für Aufgaben verwenden, die nicht bestimmungsgemäß sind, kann dies zu gefährlichen Situationen führen.

h) **Halten Sie die Griffe trocken, sauber und frei von Öl und Fett.** Rutschige Griffe und Oberflächen unterbinden die sichere Bedienbarkeit und Kontrolle über das Werkzeug in unerwarteten Situationen.

5) Service

a) **Lassen Sie Ihr Elektrowerkzeug nur von qualifiziertem Fachpersonal und nur mit Original- Ersatzteilen reparieren.** Damit wird sichergestellt, dass die Sicherheit des Gerätes erhalten bleibt.

Sicherheitsvorschriften für alle Betriebsarten

• **Tragen Sie bei der Arbeit mit einem Schlagbohrer einen Gehörschutz.** Lärm kann Gehörschäden verursachen.

• **Verwenden Sie den oder die Zusatzgriffe.** Der Verlust der Kontrolle kann Verletzungen verursachen.

• **Spannen Sie das Werkzeug vor Gebrauch richtig fest.** Dieses Werkzeug erzeugt ein hohes Ausgangsdrehmoment. Wenn das Werkzeug während des Betriebs nicht ordnungsgemäß festgespannt ist, kann es zu einem Kontrollverlust und dadurch zu Verletzungen kommen.

• **Halten Sie das Gerät an den isolierten Griffflächen, wenn Sie Arbeiten ausführen, bei denen das Werkzeug ein verdecktes Kabel oder das Geräte Kabel berühren könnte.** Der Kontakt mit stromführenden Leitungen kann auch offen liegende Metallteile am Gerät unter Strom setzen und zu einem Stromschlag führen.

Sicherheitshinweise bei Verwendung langer Bohrerbits

• **Niemals mit einer höheren Drehzahl als der maximalen Drehzahl des Bohrers arbeiten.** Bei höheren Drehzahlen kann sich der Bohrer leicht verbiegen, wenn er sich frei drehen kann, ohne das Werkstück zu berühren, was zu Verletzungen führen kann.

• **Beginnen Sie beim Bohren immer mit niedriger Drehzahl und so, dass die Bohrspitze in Kontakt mit dem Werkstück ist.** Bei höheren Drehzahlen kann sich der Bohrer leicht verbiegen, wenn er sich frei drehen kann, ohne das Werkstück zu berühren, was zu Verletzungen führen kann.

• **Üben Sie Druck nur in direkter Linie mit dem Bohrerbit aus und üben Sie keinen übermäßigen Druck aus.** Bits können sich verbiegen, was zu einem Bruch oder Kontrollverlust und dadurch zu Verletzungen führen kann.

Zusätzliche Sicherheitshinweise für Bohrer/ Schrauber/Bohrhammer

• **Sichern Sie das Werkstück zum Beispiel mit Einspannvorrichtungen auf einer stabilen Plattform.**

• **Das Werkstück ist instabil, wenn es mit der Hand oder dem Körper abgestützt wird, was zum Verlust der Kontrolle führen kann.**

• **Zubehör und Werkzeug können während des Betriebs heiß werden.** Tragen Sie beim Umgang damit Handschuhe, wenn wärmeerzeugende Anwendungen wie Bohren in Metall durchgeführt werden.

• **Luftöffnungen decken häufig bewegliche Teile ab und sollten freigehalten werden.** Lose sitzende Kleidung, Schmuck oder lange Haare können sich in den beweglichen Teilen verfangen.

• **Tragen Sie eine Schutzbrille oder anderen Augenschutz.** Beim Hämmer- und Bohrbetrieb werden Späne in die Luft befördert. Fliegende Partikel können zu Augenverletzungen führen.

• **Tragen Sie bei der Arbeit mit einem Schlagbohrer einen Gehörschutz.** Lärm kann Gehörschäden verursachen.

• **Benutzen Sie die mit dem Werkzeug gelieferten Zusatzgriffe.** Der Verlust der Kontrolle kann Verletzungen verursachen.

• **Betreiben Sie dieses Werkzeug nicht über lange Zeiträume.** Durch das Werkzeug verursachte Vibrationen können für Ihre Hände und Arme schädlich sein. Tragen Sie Handschuhe als zusätzlichen Dämpfer und legen Sie häufig Pausen ein, um den Schwingungen nicht zu lange Zeit ausgesetzt zu sein.

Sicherheit anderer Personen

• **Dieses Gerät darf von Kindern ab 8 Jahren und Personen mit eingeschränkter körperlicher, sensorischer oder geistiger Fähigkeiten sowie mangelnder Erfahrung und Wissen in Bezug auf dessen Gebrauch bedient werden, wenn sie bei der Verwendung des Geräts beaufsichtigt oder angeleitet werden und die möglichen Gefahren verstehen.**

• **Kinder dürfen nicht mit dem Gerät spielen.** Reinigung und Wartungsarbeiten dürfen von Kindern nur unter Aufsicht durchgeführt werden.

Restrisiken

Beim Gebrauch dieses Geräts verbleiben zusätzliche Restrisiken, die möglicherweise nicht in den Sicherheitswarnungen genannt werden. Diese Risiken bestehen beispielsweise bei Missbrauch oder längerem Gebrauch.

Auch bei der Einhaltung der entsprechenden Sicherheitsvorschriften und der Verwendung aller Sicherheitsgeräte bestehen weiterhin bestimmte Restrisiken. Diese sind:

• **Verletzungen, die durch das Berühren von sich drehenden/ bewegenden Teilen verursacht werden.**

• **Verletzungen, die durch das Ausstauschen von Teilen, Sägeblättern oder Zubehör verursacht werden.**

• **Verletzungen, die durch längeren Gebrauch eines Geräts verursacht werden.** Legen Sie bei längerem Gebrauch regelmäßige Pausen ein.

• **Schwerhörigkeit.**

• **Gesundheitsrisiken durch das Einatmen von Staub bei Verwendung des Geräts (z. B. bei Holzarbeiten, insbesondere Eiche, Buche und Pressspan).**

Vibration

Sie in den Abschnitten „**Technische Daten**“ und „**EU-Konformitätserklärung**“ angegebenen Werte für die Vibrationsemission wurden mit einer Standard-Prüfmethode nach EN62841 ermittelt und können zum Vergleich verschiedener Geräte herangezogen werden. Außerdem kann mit Hilfe dieses Werts die Belastung bei Verwendung des Geräts schon im Voraus eingeschätzt werden.

▲ WARNUNG! Die bei Verwendung des Geräts auftretende Vibrationsemission hängt von der Art des Gerätegebrauchs ab und kann dementsprechend von dem angegebenen Wert abweichen. Gegebenenfalls kann die Vibration über dem angegebenen Wert liegen.

Für die Ermittlung der Vibrationsbelastung müssen die tatsächlichen Einsatzbedingungen und Verwendungen des Geräts während des gesamten Arbeitsgangs berücksichtigt werden, einschließlich der Zeiten, wenn das Gerät nicht verwendet oder im Leerlauf betrieben wird. Diese Werte werden benötigt, um die gemäß 2002/44/EG erforderlichen Sicherheitsmaßnahmen zum Schutz von Personen festlegen zu können.

Etiketten am Werkzeug

Am Gerät sind die folgenden Piktogramme inkl. Datumscode angebracht:



WARNUNG! Lesen Sie vor Gebrauch die Anleitung. Andernfalls besteht Verletzungsgefahr.

Elektrische Sicherheit



Dieses Gerät ist schutzisoliert, daher ist keine Erdleitung erforderlich. Überprüfen Sie immer, dass die Stromversorgung der Spannung auf dem Typenschild entspricht.

- Bei einer Beschädigung des Netzkabels muss dieses durch den Hersteller oder eine BLACK+DECKER-Vertragswerkstatt ausgetauscht werden, um mögliche Gefahren zu vermeiden.

Merkmale (Abb. [Fig.] A)

Dieses Werkzeug verfügt über einige oder alle der folgenden Merkmale:

- 1 Drehzahl-Regelschalter
- 2 Feststellknopf
- 3 Vor-/Zurückwahlschalter
- 4 Betriebsmodussschalter
- 5 Bohrfutter
- 6 Bohrfuttersicherung
- 7 Zusatzhandgriff

MONTAGE

▲ WARNUNG! Vergewissern Sie sich vor der Montage, dass das Gerät ausgeschaltet ist und der Netzstecker gezogen wurde.

Anbringen des seitlichen Haltegriffs (Abb. B)

- Drehen Sie den Knopf **7C** entgegen dem Uhrzeigersinn, bis Sie den seitlichen Haltegriff **7** wie dargestellt über die Vorderseite des Geräts schieben können.
- Drehen Sie den seitlichen Haltegriff in die gewünschte Position und stellen Sie dabei sicher, dass die Kerben **7A** im Zahnrad **7B** einrasten.
- Befestigen Sie den seitlichen Haltegriff, indem Sie den Knopf **7C** im Uhrzeigersinn drehen.

HINWEIS: Der seitliche Haltegriff kann je nach Wunsch wie positioniert werden.

Anbringen eines Zubehörs (Abb. C)

- Drücken Sie die Bohrfuttersicherung **6**.
- Öffnen Sie das Bohrfutter **5**, indem Sie das Bohrfutter gegen den Uhrzeigersinn drehen.
- Führen Sie den Bit **8** in das Bohrfutter ein.

- Ziehen Sie das Bohrfutter durch Drehen des Bohrfutters im Uhrzeigersinn fest.

VERWENDUNG

▲ WARNUNG! Beschleunigen Sie den Arbeitsvorgang nicht mit Gewalt. Vermeiden Sie eine Überlastung.

▲ WARNUNG! Prüfen Sie vor dem Bohren in Wände, Fußböden oder Decken diese Stellen auf dahinter liegende Kabel oder Rohre.

Ein- und Ausschalten (Abb. D, G)

- Um das Gerät einzuschalten, drücken Sie den Ein-/Ausschalter mit Geschwindigkeitsregler **1**. Die Leistung des Geräts ist davon abhängig, wie tief Sie den Schalter hineindrücken.
- Für das Arbeiten im Dauerbetrieb drücken Sie den Feststellknopf **2** und lassen den Geschwindigkeitsregler los. Diese Option kann bei der Rückwärtsdrehung nicht verwendet werden.
- Um das Gerät auszuschalten, lassen Sie den Geschwindigkeitsregler los. Wenn sich das Gerät im Dauerbetrieb befindet, müssen Sie zum Ausschalten den Geschwindigkeitsregler erneut drücken und loslassen. Halten Sie das Gerät immer wie in Abbildungen D und G dargestellt.

Auswählen der Drehrichtung (Abb. E)

Verwenden Sie zum Bohren und Anziehen von Schrauben die Vorwärtsdrehung (im Uhrzeigersinn). Verwenden Sie zum Entfernen von Schrauben und verklemmten Bohreinsätzen die Rückwärtsdrehung (gegen den Uhrzeigersinn).

- Drücken Sie den Vor-/Zurückwahlschalter **3** nach links, um die Vorwärtsdrehung einzustellen.
- Drücken Sie den Vor-/Zurückwahlschalter nach rechts, um die Rückwärtsdrehung einzustellen.

▲ WARNUNG! Wechseln Sie auf keinen Fall die Drehrichtung, während der Motor läuft.

Auswahl des Bohrmodus (Abb. F)

- Stellen Sie für Schlagbohrarbeiten in Mauerwerk und Beton den Bohrmodussschalter **4** auf die Einstellung **T**.
- Wenn Sie in Stahl, Holz oder Kunststoffe bohren oder Schraubarbeiten ausführen möchten, stellen Sie den Betriebsmodussschalter **4** auf die Einstellung **1**.

Zubehör

Das verwendete Zubehör hat wesentlichen Einfluss auf die Leistung des Geräts. Zubehörteile von BLACK+DECKER erfüllen höchste Qualitätsstandards und wurden speziell für die Verwendung mit Ihrem Gerät entwickelt. Bei Verwendung dieses Zubehörs erhalten Sie stets optimale Ergebnisse.

WARTUNG

Ihr BLACK+DECKER Gerät (mit und ohne Netzkabel) wurde im Hinblick auf eine lange Lebensdauer und einen möglichst geringen Wartungsaufwand entwickelt. Ein kontinuierlicher, zufriedenstellender Betrieb hängt von der richtigen Pflege des Gerätes und seiner regelmäßigen Reinigung ab.

▲ WARNUNG! Vor dem Ausführen jeglicher Wartungsarbeiten an Geräten mit und ohne Netzkabel:

- Schalten Sie das Gerät aus und ziehen Sie den Netzstecker.
- Wenn das Gerät über einen separaten Batteriepack oder Akku verfügt, schalten Sie das Gerät ab und entnehmen Sie die Batterien aus dem Gerät.
- Wenn der Akku integriert ist, entladen Sie diesen vor dem Abschalten vollständig.

- Ziehen Sie das Ladegerät aus der Netzsteckdose, bevor Sie es reinigen. Das Ladegerät benötigt keine Wartung, es sollte jedoch regelmäßig gereinigt werden.
- Reinigen Sie regelmäßig die Lüftungsschlitze des Geräts und des Ladegeräts mit einer weichen Bürste oder einem trockenen Tuch.
- Reinigen Sie das Motorgehäuse regelmäßig mit einem feuchten Tuch. Verwenden Sie keine scheuernden Reinigungsmittel oder Reinigungsmittel auf Lösungsmittelbasis.
- Öffnen Sie regelmäßig das Spannfutter, und entfernen Sie durch Klopfen ggf. Staub aus dem Inneren des Geräts.

Umweltschutz



Getrennte Entsorgung. Produkte und Akkus mit diesem Symbol dürfen nicht mit dem normalen Hausmüll entsorgt werden. Produkte und Akkus enthalten Materialien, die wiederverwertet werden können, um den Bedarf an Rohstoffen zu verringern.

Bitte recyceln Sie elektrische Produkte und Akkus gemäß den örtlichen Bestimmungen.

Weitere Informationen finden Sie auf www.2helpU.com.

Technische Daten

		BEH550 Typ2	BEH710 Typ2
Spannung	V_{AC}	230	230
Leistungsaufnahme	W	550	710
Leerlaufdrehzahl	min ⁻¹	0 ~ 2800	0 ~ 2800
Schlagzahl	min ⁻¹	0 ~ 47600	0 ~ 47600
Gewicht	kg	1,7	1,76
Maximale Bohrtiefe			
Beton	mm	13	13
Stahl	mm	13	13
Holz	mm	25	25

BEH550 Schalldruckpegel gemäß EN 62841:

Schalldruck (L_{pA}) 96,5 dB(A), Unsicherheitsfaktor (K) 5 dB(A)

Schallleistung (L_{WA}) 104,5 dB(A), Unsicherheitsfaktor (K) 5 dB(A)

BEH710 Schalldruckpegel gemäß EN 62841:

Schalldruck (L_{pA}) 98,5 dB(A), Unsicherheitsfaktor (K) 5 dB(A)

Schallleistung (L_{WA}) 106,5 dB(A), Unsicherheitsfaktor (K) 5 dB(A)

BEH550 Gesamtvibration (Triax-Vektorsumme) gemäß EN 62841:

Schlagbohren in Beton (a_{hV}) 14,8 m/s², Unsicherheitsfaktor (K) 1,5 m/s²

Metallbohren (a_{hV}) 1,8 m/s², Unsicherheitsfaktor (K) 1,5 m/s²

BEH710 Gesamtvibration (Triax-Vektorsumme) gemäß EN 62841:

Schlagbohren in Beton (a_{hV}) 16,2 m/s², Unsicherheitsfaktor (K) 1,5 m/s²

Metallbohren (a_{hV}) 1,9 m/s², Unsicherheitsfaktor (K) 1,5 m/s²

EU-Konformitätserklärung

MASCHINENRICHTLINIE



BEH550, BEH710 Schlagbohrmaschine
Black & Decker erklärt, dass die unter „Technische Daten“
beschriebenen Geräte übereinstimmen mit:

2006/42/EC, EN 62841-1:2015+A11:2022,
EN 62841-2-1:2018+A11:2019+A1:2022+A12:2022

Diese Produkte entsprechen außerdem den Richtlinien,
2014/30/EU und 2011/65/EU. Weitere Informationen erhalten
Sie von Black & Decker unter der folgenden Adresse. Diese
befindet sich auch auf der Rückseite dieser Anleitung.

Der Unterzeichnete ist verantwortlich für die Zusammenstellung
des technischen Dossiers und gibt diese Erklärung im Namen
von Black & Decker ab.

Patrick Diepenbach

Patrick Diepenbach
General Manager, Benelux
Black and Decker,
Egide Walschaertsstraat 14-18
2800 Mechelen, Belgien
02/08/2023

Garantie

Black & Decker vertraut auf die Qualität der eigenen Geräte und bietet dem Käufer eine außergewöhnliche Garantie von 24 Monaten ab Kaufdatum. Diese Garantie versteht sich unbeschadet der gesetzlichen Gewährleistungsansprüche und schränkt diese keinesfalls ein. Diese Garantie gilt innerhalb der Staatsgebiete der Mitgliedstaaten der Europäischen Union, der Europäischen Freihandelszone und des Vereinigten Königreichs. Zur Inanspruchnahme dieser Garantie muss sie den allgemeinen Geschäftsbedingungen von Black & Decker entsprechen und dem Verkäufer bzw. der Vertragswerkstatt ist ein Kaufnachweis vorzulegen.

Die Bedingungen für die 2-jährige Garantie von Black & Decker und den Standort Ihrer nächstgelegenen Vertragswerkstatt finden Sie im Internet unter www.2helpU.com oder indem Sie sich an die lokale Black & Decker-Niederlassung wenden, deren Adresse Sie in dieser Anleitung finden.

Bitte besuchen Sie unsere Website unter www.blackanddecker.eu, um Ihr neues Black & Decker Produkt zu registrieren und um Updates zu neuen Produkten und Sonderangeboten zu erhalten.

Utilisation Prévüe

Votre perceuse à percussion BLACK+DECKER BEH550, BEH710 a été conçue pour percer le bois, le métal, le plastique, la maçonnerie ainsi que pour effectuer des opérations de vissage. Cet outil est destiné à un usage grand public uniquement.

CONSIGNES DE SÉCURITÉ GÉNÉRALES PROPRES AUX OUTILS ÉLECTRIQUES

▲ AVERTISSEMENT : veuillez lire tous les avertissements de sécurité, toutes les instructions, illustrations et spécifications fournies avec cet outil électrique. Le non respect des instructions listées ci-dessous peut conduire à des chocs électriques, des incendies et/ou de graves blessures.

CONSERVER TOUTES CES DIRECTIVES ET CONSIGNES À TITRE DE RÉFÉRENCE

Le terme « outil électrique » mentionné dans les avertissements ci-après se rapporte aux outils alimentés sur secteur (avec fil) ou par piles (sans fil).

1) Sécurité – Aire de Travail

- a) **Maintenir l'aire de travail propre et bien éclairée.** Les lieux sombres ou encombrés sont propices aux accidents.
- b) **Ne pas utiliser un outil électrique dans un milieu déflagrant, comme en présence de liquides, gaz ou poussières inflammables.** Les outils électriques peuvent produire des étincelles qui pourraient enflammer toute émanation ou poussière ambiante.
- c) **Maintenir à l'écart les enfants, ou toute autre personne, lors de l'utilisation d'un outil électrique.** Toute distraction pourrait faire perdre la maîtrise de l'appareil.

2) Sécurité – Électricité

- a) **La fiche électrique de l'outil doit correspondre à la prise murale. Ne modifier la fiche en aucune façon. Ne pas utiliser de fiche d'adaptation avec un outil électrique mis à la terre (masse).** L'utilisation de fiches d'origine et de prises appropriées réduira tout risque de décharges électriques.
- b) **Éviter tout contact corporel avec des éléments mis à la terre comme : tuyaux, radiateurs, cuisinières ou réfrigérateurs.** Les risques de décharges électriques augmentent lorsque le corps est mis à la terre.
- c) **Ne pas exposer les outils électriques à la pluie ou à l'humidité.** Tout contact d'un outil électrique avec un liquide augmente les risques de décharges électriques.
- d) **Ne pas utiliser le cordon de façon abusive. Ne jamais utiliser le cordon pour transporter, tirer ou débrancher un outil électrique. Protéger le cordon de toute source de chaleur, de l'huile, et de tout bord tranchant ou pièce mobile.** Les cordons endommagés ou emmêlés augmentent les risques de décharges électriques.
- e) **En cas d'utilisation d'un outil électrique à l'extérieur, utiliser systématiquement une rallonge conçue à cet effet.** Cela diminuera tout risque de décharges électriques.
- f) **Si on ne peut éviter d'utiliser un outil électrique en milieu humide, utiliser un circuit protégé par un dispositif de courant résiduel (RCD).** Cela réduira tout risque de décharges électriques.

3) Sécurité Individuelle

- a) **Rester systématiquement vigilant et faire preuve de jugement lorsqu'on utilise un outil électrique. Ne pas utiliser**

d'outil électrique en cas de fatigue ou sous l'influence de drogues, d'alcool ou de médicaments. Tout moment d'inattention pendant l'utilisation d'un outil électrique comporte des risques de dommages corporels graves.

- b) **Porter un équipement de protection individuel. Porter systématiquement un dispositif de protection oculaire.** Le fait de porter un masque anti-poussières, des chaussures antidérapantes, un casque de sécurité ou un dispositif de protection auditive, lorsque la situation le requiert, réduira les risques de dommages corporels.
 - c) **Prévenir tout démarrage accidentel. S'assurer que l'interrupteur est en position d'arrêt avant de brancher l'outil sur le secteur et/ou à la batterie, ou de le ramasser ou le transporter.** Transporter un outil le doigt sur l'interrupteur ou brancher un outil électrique alors que l'interrupteur est en position de marche invite les accidents.
 - d) **Retirer toute clé de réglage avant de démarrer l'outil.** Une clé laissée sur une pièce rotative d'un outil électrique comporte des risques de dommages corporels.
 - e) **Adopter une position stable. Maintenir les pieds bien ancrés au sol et conserver son équilibre en permanence.** Cela permettra de mieux maîtriser l'outil électrique en cas de situations imprévues.
 - f) **Porter des vêtements appropriés. Ne porter aucun vêtement ample ou bijou. Maintenir cheveux, vêtements et gants à l'écart des pièces mobiles, car ils pourraient s'y faire prendre.**
 - g) **Lorsqu'un dispositif de connexion à un système de dépoussiérage ou d'élimination est fourni, s'assurer qu'il est branché et utilisé correctement.** L'utilisation de ces dispositifs peut réduire les risques engendrés par les poussières.
 - h) **Ne pensez pas être à ce point familiarisé avec l'outil après l'avoir utilisé à de nombreuses reprises, au point de ne plus rester vigilant et d'en oublier les consignes de sécurité.** Toute action imprudente peut engendrer de graves blessures en une fraction de seconde.
- #### 4) Utilisation et Entretien des Outils Électriques
- a) **Ne pas forcer un outil électrique. Utiliser l'outil approprié au travail en cours.** L'outil approprié effectuera un meilleur travail, de façon plus sûre et à la vitesse pour laquelle il a été conçu.
 - b) **Ne pas utiliser un outil électrique dont l'interrupteur est défectueux.** Tout appareil dont l'interrupteur est défectueux est dangereux et doit être réparé.
 - c) **Débranchez la prise du secteur et/ou retirez le bloc-batterie, s'il est amovible, de l'outil électrique avant d'effectuer tout réglage, de changer un accessoire ou de ranger l'outil électrique.** Ces mesures de sécurité préventives réduisent le risque de démarrage accidentel de l'outil électrique.
 - d) **Après utilisation, ranger les outils électriques hors de portée des enfants et ne permettre à aucune personne non familière avec son fonctionnement (ou sa notice d'instructions) de l'utiliser.** Les outils peuvent être dangereux entre des mains inexpérimentées.
 - e) **Entretien les outils électriques. Vérifier les pièces mobiles pour s'assurer qu'elles sont bien alignées et tournent librement, qu'elles sont en bon état et ne sont affectées d'aucune condition susceptible de nuire au bon fonctionnement de l'outil. En cas de dommage, faire réparer l'outil électrique avant toute nouvelle utilisation.** De nombreux accidents sont causés par des outils mal entretenus.

f) **Maintenir tout organe de coupe propre et bien affûté.** Les outils de coupe bien entretenus et affûtés sont moins susceptibles de se coincer et sont plus faciles à contrôler.

g) **Utiliser un outil électrique, ses accessoires, mèches, etc., conformément aux présentes directives et suivant la manière prévue pour ce type particulier d'outil électrique, en tenant compte des conditions de travail et de la tâche à effectuer.** L'utilisation d'un outil électrique à des fins autres que celles prévues est potentiellement dangereuse.

h) **Maintenez toutes les poignées et surfaces de préhension sèches, propres et exemptes d'huile et de graisse.** Des poignées et des surfaces de préhension glissantes ne permettent pas de manipuler et de contrôler l'outil correctement en cas de situations inattendues.

5) Réparation

a) **Faire entretenir les outils électriques par un réparateur qualifié en n'utilisant que des pièces de rechange identiques.** Cela permettra de préserver l'intégrité de l'outil électrique et la sécurité de l'utilisateur.

Consignes de sécurité pour toutes les opérations

- **Portez des protections auditives pour le perçage à percussion.** L'exposition au bruit peut provoquer la perte de l'ouïe.
- **Utilisez la-les poigné-e-s auxiliaire-s.** La perte de contrôle peut provoquer des blessures.
- **Tenez correctement l'outil avant de l'utiliser.** Cet outil génère un couple élevé et s'il n'est pas correctement tenu, une perte de contrôle pouvant provoquer des blessures est possible.
- **Tenez l'outil électrique par ses surfaces de préhension isolées lorsque vous réalisez une opération au cours de laquelle l'accessoire de coupe pourrait entrer en contact avec des fils électriques cachés ou son propre cordon.** Tout contact de l'accessoire de coupe avec un fil sous tension peut mettre les parties métalliques exposées de l'outil sous tension et provoquer une décharge électrique à l'utilisateur.

Consignes de sécurité pour l'utilisation de mèches longues

- **Ne les utilisez jamais à une vitesse supérieure à leur vitesse nominale maximum.** À grande vitesse, la mèche peut plier si elle tourne dans le vide, sans être en contact avec l'ouvrage et des blessures sont possibles.
- **Commencez toujours à percer à faible vitesse alors que la pointe de la mèche est en contact avec l'ouvrage.** À grande vitesse, la mèche peut plier si elle tourne dans le vide, sans être en contact avec l'ouvrage et des blessures sont possibles.
- **N'exercez qu'une faible pression, toujours perpendiculaire sur la mèche.** Les mèches peuvent plier et casser provoquant une perte de contrôle et des blessures.

Avertissements de sécurité supplémentaires propres aux perceuses/visseuses/marteaux perforateurs

- Utilisez des pinces ou tout autre moyen pratique pour fixer et soutenir l'ouvrage sur une plateforme stable. Tenir l'ouvrage dans vos mains ou contre vos corps le rend instable et peut conduire à une perte de contrôle.
- Les accessoires et les outils peuvent devenir chauds pendant l'utilisation. Portez des gants pour les manipuler lorsque vous réalisez des opérations qui produisent de la chaleur comme le perçage du métal par exemple.
- Les événements d'aération recouvrent souvent les pièces mobiles et doivent être évités. Les vêtements amples, les bijoux ou les cheveux longs peuvent être happés par les pièces mobiles.

- Portez des lunettes de protection ou un autre moyen de protection oculaire. Les opérations de perçage et de perçage à percussion peuvent projeter des éclats. Les particules volantes peuvent endommager vos yeux de façon permanente.
- Portez des protections auditives pour le perçage à percussion. L'exposition au bruit peut provoquer la perte de l'ouïe.
- Utilisez les poignées auxiliaires, si fournies avec l'outil. La perte de contrôle peut provoquer des blessures.
- N'utilisez pas cet outil de manière prolongée. Les vibrations engendrées par l'outil peuvent être nocives pour les mains et les bras. Utilisez des gants pour les amortir et limitez l'exposition en faisant régulièrement des pauses.

Sécurité des personnes

- Cet appareil peut être utilisé par des enfants âgés de 8 ans ou plus et par des personnes aux capacités physiques, sensorielles ou intellectuelles réduites ou qui manquent d'expérience ou de connaissance s'ils sont supervisés ou ont été formés sur l'utilisation sûre de l'appareil et qu'ils sont conscients des risques potentiels.
- Ne laissez pas les enfants jouer avec l'appareil. Le nettoyage et les opérations de maintenance à réaliser par l'utilisateur ne doivent pas être exécutés par des enfants sans surveillance.

Risques résiduels

Certains risques résiduels autres que ceux mentionnés dans les avertissements sur la sécurité peuvent survenir en utilisant l'outil. Ces risques peuvent être dus à une utilisation incorrecte, prolongée, etc.

Malgré le respect de toutes les réglementations pertinentes sur la sécurité et la mise en œuvre de dispositifs de sécurité, certains risques résiduels ne peuvent pas être évités. Ils comprennent :

- Les blessures dues au contact avec des pièces mobiles/ en rotation.
- Les blessures dues au changement de pièces, de lame ou d'accessoires.
- Les blessures dues à l'utilisation prolongée d'un outil. Lorsque vous utilisez un outil quel qu'il soit pendant de longues périodes, veillez à faire des pauses régulières.
- Les troubles de l'ouïe.
- Les risques pour la santé dus à l'inhalation de poussières produites pendant l'utilisation de l'outil (exemple : travail avec du bois, surtout le chêne, le hêtre et les panneaux en MDF).

Vibrations

La valeur des émissions de vibrations déclarée dans les **caractéristiques techniques** et la **déclaration de conformité** a été mesurée conformément à la méthode de test normalisée établie par la norme EN62841 et elle peut être utilisée pour comparer un outil à un autre. La valeur des vibrations émises déclarée peut aussi être utilisée pour une évaluation préliminaire à l'exposition.

⚠ AVERTISSEMENT ! en fonction de la manière dont l'outil est utilisé, la valeur réelle des vibrations émises pendant son utilisation peut différer de la valeur déclarée. Le niveau des vibrations peut dépasser le niveau déclaré. Quand l'exposition aux vibrations est évaluée afin de déterminer les mesures de sécurité requises par la norme 2002/44/CE pour protéger les personnes utilisant régulièrement des outils électriques, l'estimation doit tenir compte des conditions réelles d'utilisation et de la façon dont l'outil est utilisé. Il faut également tenir compte de toutes les composantes du cycle de fonctionnement comme la durée pendant laquelle l'outil est arrêté et quand il fonctionne au ralenti, ainsi que la durée du déclenchement.

Étiquettes apposées sur l'outil

Les pictogrammes qui suivent figurent sur l'outil avec le code date :



AVERTISSEMENT! afin de réduire le risque de blessures, l'utilisateur doit lire le manuel d'utilisation.

Sécurité électrique



Cet outil est doublement isolé, il ne nécessite donc aucun fil de liaison à la terre. Assurez-vous toujours que l'alimentation électrique correspond à la tension mentionnée sur la plaque signalétique.

- Si le câble d'alimentation est endommagé, il doit être remplacé par le fabricant ou par un centre d'assistance agréé BLACK+DECKER afin d'éviter tout risque.

Caractéristiques (Fig. A)

Cet outil dispose de tout ou partie des éléments suivants.

- 1 Interrupteur variateur de vitesse
- 2 Bouton de verrouillage
- 3 Bouton de sélection du sens de rotation Avant/Arrière
- 4 Sélecteur mode Perçage
- 5 Mandrin
- 6 Dispositif de verrouillage du mandrin
- 7 Poignée latérale

ASSEMBLAGE

▲ AVERTISSEMENT! avant l'assemblage, assurez-vous que l'outil est éteint et débranché.

Installation de la poignée latérale (Fig. B)

- Tournez le bouton **7C** dans le sens inverse des aiguilles d'une montre jusqu'à ce que la poignée latérale **7** puisse glisser sur l'avant de l'outil, comme le montre l'illustration.
- Pivotez la poignée latérale jusqu'à la position voulue en vous assurant que les encoches **7A** s'engagent dans le pignon **7B**.
- Serrez la poignée latérale en tournant le bouton **7C** dans le sens des aiguilles d'une montre.

REMARQUE : la poignée latérale peut être positionnée, en fonction de vos préférences.

Mise en place d'un accessoire (Fig. C)

- Appuyez sur le dispositif de verrouillage du mandrin **6**
- Ouvrez le mandrin **5** en tournant le manchon dans le sens inverse des aiguilles d'une montre.
- Insérez la tige de la mèche **8** dans le mandrin.
- Serrez le mandrin en tournant le manchon dans le sens des aiguilles d'une montre.

UTILISATION

▲ AVERTISSEMENT! laissez l'outil fonctionner à son propre rythme. Ne le poussez pas au-delà de sa capacité.

▲ AVERTISSEMENT! avant de percer les murs, les plafonds ou les plafonds, vérifiez l'emplacement des fils électriques et des canalisations.

Mise en marche et extinction (Fig. D, G)

- Pour mettre l'outil en marche, appuyez sur l'interrupteur variateur de vitesse **1**. La vitesse de l'outil dépend du degré d'enfoncement de l'interrupteur.
- Pour faire fonctionner l'outil en continu, appuyez sur le bouton de verrouillage **2** et relâchez l'interrupteur variateur

de vitesse. Cette option ne fonctionne pas en sens de rotation arrière.

- Pour éteindre l'outil, relâchez l'interrupteur variateur de vitesse.

Pour arrêter l'outil quand il fonctionne en mode continu, appuyez une nouvelle fois sur le variateur de vitesse puis relâchez-le. Tenez toujours l'outil comme illustré par la Figures D et G.

Sélection du sens de rotation (Fig. E)

Pour percer et visser, utilisez le sens de rotation avant (sens des aiguilles d'une montre). Pour desserrer des vis ou pour retirer une mèche coincé, utilisez le sens de rotation arrière (sens inverse des aiguilles d'une montre).

- Pour sélectionner le sens de rotation avant, poussez le curseur de réglage du sens de rotation **3** vers la gauche.
- Pour sélectionner le sens de rotation arrière, poussez le curseur de réglage du sens de rotation vers la droite.

▲ AVERTISSEMENT! ne modifiez jamais le sens de rotation quand le moteur tourne.

Choix du mode de perçage (Fig. F)

- Pour le perçage à choc des matériaux de maçonnerie et du béton, réglez le sélecteur de mode de perçage **4** sur la position **T**.
- Pour percer l'acier, le bois et le plastique ou pour le vissage, placez le sélecteur de mode **4** sur la position **1**.

Accessoires

Les performances de votre outil dépendent de l'accessoire utilisé. Les accessoires BLACK+DECKER sont élaborés selon des normes de qualité supérieures et ils sont conçus pour améliorer les performances de votre outil. L'utilisation de ces accessoires vous permet de tirer pleinement profit de votre outil.

MAINTENANCE

Votre appareil/outil sans fil/avec fil BLACK+DECKER a été conçu pour fonctionner pendant avec un minimum d'entretien. Le fonctionnement continu et satisfaisant de l'outil dépend de son bon entretien et de son nettoyage régulier.

▲ AVERTISSEMENT! avant de procéder à la maintenance des outils électriques avec ou sans fil :

- Éteignez l'appareil/outil et débranchez-le.
 - Ou, éteignez l'appareil/outil et retirez la batterie de l'appareil/outil si celui-ci est muni d'un bloc-batterie séparé.
 - Ou déchargez complètement la batterie si elle est intégrée, puis éteignez l'appareil/outil.
 - Débranchez le chargeur avant de le nettoyer. Votre chargeur ne nécessite aucun entretien particulier, à l'exception d'un nettoyage régulier.
 - Nettoyez régulièrement les orifices d'aération de votre appareil/outil/chargeur à l'aide d'une brosse souple ou d'un chiffon sec.
 - Nettoyez régulièrement le bloc-moteur à l'aide d'un chiffon humide.
- N'utilisez pas de détergents abrasifs ou à base de solvants.
- Ouvrez régulièrement le mandrin et retirez la poussière à l'intérieur en le tapotant (si installé).

Protection de l'environnement



Tri sélectif. Les produits et piles/batteries marqués de ce symbole ne doivent pas être jetés avec les déchets ménagers. Les produits et les piles/batteries contiennent

des matières qui peuvent être récupérées et recyclées afin de réduire la demande en matières premières.

Veillez à recycler les produits électriques et les piles/batteries conformément aux prescriptions locales en vigueur.

Pour plus d'informations, consultez le site www.2helpU.com.

Caractéristiques techniques

		BEH550 Type2	BEH710 Type2
Tension	V_{CA}	230	230
Puissance nominale	W	550	710
Vitesse à vide	min ⁻¹	0 ~ 2800	0 ~ 2800
Cadence de l'impact	min ⁻¹	0 ~ 47600	0 ~ 47600
Poids	kg	1,7	1,76
Capacité maxi de perçage			
Béton	mm	13	13
Acier	mm	13	13
Bois	mm	25	25

BEH550 Niveau de pression sonore selon la norme EN 62841 :

Pression sonore (L_{pA}) 96,5 dB(A), incertitude (K) 5 dB(A)

Puissance sonore (L_{WA}) 104,5 dB(A), incertitude (K) 5 dB(A)

BEH710 Niveau de pression sonore selon la norme EN 62841 :

Pression sonore (L_{pA}) 98,5 dB(A), incertitude (K) 5 dB(A)

Puissance sonore (L_{WA}) 106,5 dB(A), incertitude (K) 5 dB(A)

BEH550 Valeurs totales des vibrations (somme vectorielle triaxiale) selon la norme EN 62841 :

Perçage à percussion dans le béton ($a_{h,v}$) 14,8 m/s², incertitude (K) 1,5 m/s²

Perçage du métal ($a_{h,v}$) 1,8 m/s², incertitude (K) 1,5 m/s²

BEH710 Valeurs totales des vibrations (somme vectorielle triaxiale) selon la norme EN 62841 :

Perçage à percussion dans le béton ($a_{h,v}$) 16,2 m/s², incertitude (K) 1,5 m/s²

Perçage du métal ($a_{h,v}$) 1,9 m/s², incertitude (K) 1,5 m/s²

Déclaration de conformité CE

DIRECTIVES MACHINES



BEH550, BEH710 Perceuse à percussion

Black & Decker déclare que les produits décrits dans les «Données techniques» sont conformes aux normes :

2006/42/EC, EN 62841-1:2015+A11:2022,

EN 62841-2-1:2018+A11:2019+A1:2022+A12:2022

Ces produits sont aussi conformes aux directives, 2014/30/UE et 2011/65/UE. Pour plus de détails, veuillez contacter Black & Decker à l'adresse suivante ou vous reporter au dos du manuel.

Le soussigné est responsable de la compilation du fichier technique et fait cette déclaration au nom de
Black & Decker.

Patrick Diepenbach

Patrick Diepenbach
General Manager, Benelux
Black and Decker,
Egide Walschaertsstraat 14-18
2800 Mechelen, Belgique
02/08/2023

Garantie

Black & Decker est sûr de la qualité de ses produits et offre une garantie de 24 mois aux utilisateurs, à partir de la date d'achat. Cette garantie s'ajoute à vos droits légaux auxquels elle ne porte aucunement préjudice. Cette garantie est valable au sein des territoires des États membres de l'Union européenne et au sein de la Zone européenne de libre-échange.

Pour prétendre à la garantie, la réclamation doit être en conformité avec les conditions générales de Black & Decker et vous devez fournir une preuve d'achat au vendeur ou au réparateur agréé. Les conditions générales de la garantie de 2 ans Black & Decker ainsi que l'adresse du réparateur agréé le plus proche sont disponibles sur le site Internet www.2helpU.com ou en contactant votre agence Black & Decker locale à l'adresse indiquée dans ce manuel.

Veillez consulter notre site Internet www.blackanddecker.eu pour enregistrer votre nouveau produit Black & Decker et pour être tenu informé des nouveaux produits et offres spéciales.

Uso Previsto

Il trapano a percussione BLACK+DECKER BEH550, BEH710 è stato progettato per trapanare legno, metallo, plastica e murature oltre che per avvitare. Questo utensile è destinato esclusivamente all'uso privato.

AVVERTENZE GENERALI DI SICUREZZA PER APPARATI ELETTRICI

▲ AVVERTENZA: leggere attentamente tutte le avvertenze, istruzioni, illustrazioni e specifiche fornite con l'apparato.

La mancata osservanza delle istruzioni seguenti può dar luogo a scossa elettrica, incendio e/o lesioni gravi.

CONSERVARE LE AVVERTENZE E LE ISTRUZIONI PER RIFERIMENTI FUTURI

Il termine "apparato elettrico" utilizzato nelle avvertenze fa riferimento sia agli apparati alimentati a corrente (con cavo elettrico), sia a quelli a batteria (senza cavo).

1) Sicurezza Dell'area di Lavoro

a) **Mantenere l'area di lavoro pulita e ben illuminata.**

Gli ambienti disordinati o scarsamente illuminati favoriscono gli incidenti.

b) **Non azionare gli apparati in ambienti con atmosfera esplosiva, come quelli in presenza di liquidi, gas o polveri infiammabili.** Gli apparati elettrici creano scintille che possono incendiare le polveri o i fumi.

c) **Durante l'uso di un apparato elettrico, tenere lontani i bambini e chiunque si trovi nelle vicinanze.** Le distrazioni possono provocare la perdita di controllo.

2) Sicurezza Elettrica

a) **Le spine dell'apparato elettrico devono essere adatte alla presa di alimentazione. Non modificare la spina in alcun modo. Non collegare un adattatore alla spina di un apparato elettrico dotato di scarico a terra.** Per ridurre il rischio di scossa elettrica evitare di modificare le spine e utilizzare sempre le prese appropriate.

b) **Evitare il contatto con superfici collegate con la terra, quali tubature, termosifoni, fornelli e frigoriferi.** Se il proprio corpo è collegato con la terra, il rischio di scossa elettrica aumenta.

c) **Non esporre gli apparati elettrici alla pioggia o all'umidità.** Se l'acqua entra nell'apparato elettrico aumenta il rischio di scossa elettrica.

d) **Non utilizzare il cavo elettrico in modo improprio. Non utilizzare mai il cavo per spostare, tirare o scollegare l'apparato elettrico. Tenere il cavo elettrico lontano da fonti di calore, olio, bordi taglienti o parti in movimento.** Se il cavo è danneggiato o impigliato, il rischio di scossa elettrica aumenta.

e) **Quando l'apparato elettrico viene impiegato all'aperto, utilizzare unicamente cavi di prolunga previsti per esterni.** L'uso di un cavo elettrico adatto ad ambienti esterni riduce il rischio di scossa elettrica.

f) **Se è non è possibile evitare l'uso di un apparato elettrico in ambienti umidi, usare una fonte di corrente protetta da un interruttore differenziale (salvavita).** L'uso di un interruttore differenziale riduce il rischio di scossa elettrica.

3) Sicurezza Personale

a) **Quando si utilizza un apparato elettrico evitare di distrarsi. Prestare attenzione a quello che si sta facendo e utilizzare il buon senso. Non utilizzare l'apparato elettrico quando si è stanchi o sotto l'effetto di droghe, alcool o**

medicinali. Un solo attimo di distrazione durante l'uso di tali apparati potrebbe provocare gravi lesioni personali.

b) **Indossare abbigliamento di protezione adeguato.**

Utilizzare sempre protezioni oculari. L'uso di abbigliamento di protezione quali mascherine antipolvere, scarpe antinfortunistiche antiscivolo, caschi di sicurezza o protezioni uditive, in condizioni opportune consente di ridurre le lesioni personali.

c) **Evitare avvii involontari. Assicurarsi che l'interruttore sia in posizione di spento prima inserire l'alimentazione elettrica e/o il blocco batteria e prima di afferrare o trasportare l'apparato.** Il trasporto di apparati elettrici tenendo il dito sull'interruttore o quando sono collegati alla rete elettrica con l'interruttore nella posizione di accesso provoca incidenti.

d) **Prima di accendere l'apparato elettrico, rimuovere eventuali chiavi o utensili di regolazione.** Un utensile di regolazione o una chiave fissati su una parte rotante dell'apparato elettrico possono provocare lesioni personali.

e) **Non sporgersi. Mantenere sempre una buona stabilità al suolo ed equilibrio.** Ciò consente un migliore controllo dell'apparato nelle situazioni impreviste.

f) **Indossare vestiario adeguato. Non indossare abiti lenti o gioielli. Tenere capelli, vestiti e guanti lontano dalle parti in movimento.** Abiti lenti, gioielli o capelli lunghi possono impigliarsi nelle parti in movimento.

g) **Se i dispositivi sono forniti di collegamento con l'attrezzatura di aspirazione e raccolta delle polveri, assicurarsi che siano collegati e utilizzati correttamente.** La raccolta delle polveri può ridurre i pericoli legati a queste ultime.

h) **Non lasciare che la familiarità acquisita dall'uso frequente degli utensili induca a cedere alla tentazione di ignorare i principi di utilizzo sicuro degli stessi.** Un'azione imprudente potrebbe provocare lesioni gravi in una frazione di secondo.

4) Uso e Manutenzione Dell'apparato Elettrico

a) **Non forzare l'apparato. Utilizzare un apparato adatto al lavoro da eseguire.** L'apparato lavora meglio e con maggior sicurezza se utilizzato secondo quanto è stato previsto.

b) **Non utilizzare l'apparato se l'interruttore non permette l'accensione o lo spegnimento.** Qualsiasi apparato elettrico che non possa essere controllato tramite l'interruttore è pericoloso e deve essere riparato.

c) **Scollegare la spina dalla presa di corrente e/o la batteria dall'elettrotensile, se staccabile, prima di effettuare qualsiasi tipo di regolazione, cambiare gli accessori o riporlo.** Queste misure di sicurezza preventive riducono il rischio di azionare l'apparato accidentalmente.

d) **Riporre gli apparati non utilizzati fuori dalla portata dei bambini ed evitarne l'uso da parte di persone che hanno poca familiarità con l'apparato elettrico e con le presenti istruzioni.** Gli apparati elettrici sono pericolosi in mano a persone inesperte.

e) **Eseguire una manutenzione adeguata degli apparati elettrici. Verificare il cattivo allineamento e inceppamento di parti mobili, la rottura di componenti e ogni altra condizione che possa influire sul funzionamento degli apparati. Se danneggiato, far riparare l'apparato elettrico prima dell'uso.** Molti incidenti sono provocati da apparati elettrici su cui non è stata effettuata la corretta manutenzione.

f) **Tenere gli utensili da taglio affilati e puliti.** La manutenzione corretta degli utensili da taglio con bordi affilati riduce le probabilità di inceppamento e ne facilita il controllo.

g) **Utilizzare l'apparato elettrico, gli accessori, le punte ecc., rispettando le presenti istruzioni e tenendo in considerazione le condizioni di funzionamento e il lavoro da eseguire.** L'utilizzo dell'apparato elettrico per impieghi diversi da quelli previsti può provocare situazioni di pericolo.

h) **Mantenere le impugnature e le superfici di presa asciutte, pulite e senza tracce di olio o grasso.** Impugnature e superfici di presa scivolose non consentono di maneggiare e controllare in modo sicuro l'utensile nel caso di imprevisti.

5) Assistenza

a) **L'apparato elettrico deve essere riparato da personale qualificato, che utilizzi ricambi originali identici alle parti da sostituire.** In questo modo viene garantita la sicurezza dell'apparato elettrico.

Istruzioni di sicurezza per tutte le operazioni

- **Indossare sempre protezioni per l'udito quanto si eseguono lavori di foratura a percussione.** L'esposizione al rumore può causare la perdita dell'udito.
- **Utilizzare impugnature ausiliarie.** La perdita di controllo può causare lesioni a persone.
- **Prima dell'uso sostenere l'elettrotensile in modo adeguato.** Questo elettrotensile produce una coppia di uscita elevata e se non viene sorretto correttamente durante l'uso potrebbe provocare lesioni personali.
- **Tenere l'elettrotensile afferrando le superfici di presa isolate, se si sta eseguendo un'operazione dove esiste la possibilità che l'accessorio di taglio possa venire a contatto di cavi nascosti o del filo di alimentazione.** Se un accessorio di taglio dovesse venire a contatto con un cavo sotto tensione trasmetterebbe la corrente elettrica anche alle parti metalliche esposte dell'elettrotensile, con il pericolo di provocare la folgorazione dell'utilizzatore.

Istruzioni di sicurezza durante l'utilizzo di punte lunghe

- **Non azionare mai il trapano/avvitatore a una velocità superiore alla velocità massima nominale della punta.** A velocità superiori è probabile che la punta si pieghi se viene lasciata ruotare liberamente senza toccare il pezzo da lavorare, con la possibilità di conseguenti lesioni personali.
- **Iniziare sempre a eseguire un foro a bassa velocità e con la punta a contatto con il pezzo in lavorazione.** A velocità superiori è probabile che la punta si pieghi se viene lasciata ruotare liberamente senza toccare il pezzo da lavorare, con la possibilità di conseguenti lesioni personali.
- **Applicare pressione solo in linea diretta con la punta (non esercitare una pressione eccessiva).** Le punte potrebbero piegarsi e rompersi o provocare la perdita di controllo del trapano con la possibilità di conseguenti lesioni personali.

Avvertenze di sicurezza aggiuntive per trapani/avvitatori/trapani a percussione

- Usare morse o altri metodi pratici per fissare e bloccare il pezzo in lavorazione a una piattaforma stabile. Tenere il pezzo in lavorazione con le mani o contro il corpo non ne assicura la stabilità e potrebbe comportare la perdita di controllo.
- Durante l'uso l'elettrotensile e gli accessori possono scaldarsi. Per maneggiarli indossare dei guanti se si devono eseguire lavori che generano calore, come la foratura di metalli.

- Le prese d'aria spesso coprono le parti mobili e devono essere evitate. Abiti larghi, gioielli o capelli lunghi possono impigliarsi nelle parti in movimento.
- Indossare occhiali di sicurezza o altre protezioni per gli occhi. La foratura con l'uso del trapano può emettere schegge. Tali schegge possono causare danni permanenti alla vista.
- Indossare sempre protezioni per l'udito quanto si eseguono lavori di foratura a percussione. L'esposizione al rumore può causare la perdita dell'udito.
- Usare l'impugnatura ausiliaria/le impugnature ausiliarie di cui è provvisto l'elettrotensile. La perdita di controllo può causare lesioni a persone.
- Non utilizzare questo utensile per periodi prolungati. La vibrazione provocata dal funzionamento dell'utensile può essere dannosa per le mani e le braccia dell'operatore. Servirsi di guanti per fornire un supporto in più e limitare l'esposizione prendendo delle pause frequenti.

Sicurezza altrui

- Questo elettrotensile può essere usato da bambini dagli 8 anni in su e da persone portatrici di handicap fisici, psichici o sensoriali o che non possiedono la dovuta esperienza o conoscenza, purché siano seguiti o opportunamente istruiti sull'uso sicuro e comprendano i pericoli inerenti.
- Non lasciare che i bambini giochino con l'elettrotensile. Gli interventi di pulizia e di manutenzione da parte dell'utilizzatore non devono essere eseguiti da bambini senza supervisione.

Rischi residui

L'utilizzo dell'elettrotensile può comportare rischi residui non necessariamente riportati nelle presenti avvertenze di sicurezza. Tali rischi possono sorgere a seguito di un uso prolungato o improprio, ecc.

Malgrado il rispetto delle norme di sicurezza pertinenti e l'implementazione di dispositivi di sicurezza, alcuni rischi residui non possono essere evitati. Tali rischi includono:

- lesioni personali causate dal contatto con parti rotanti/ in movimento;
- lesioni personali subite durante la sostituzione di parti, lame o accessori;
- lesioni personali causate dall'impiego prolungato di un elettrotensile (quando si utilizza qualsiasi elettrotensile per lunghi periodi, accertarsi di fare regolarmente delle pause);
- menomazioni uditive;
- rischi per la salute causati dall'aspirazione di polveri generate dall'utilizzo dell'elettrotensile (ad esempio quando si lavora con il legno, in modo particolare quello di quercia, faggio, o con l'MDF.)

Vibrazione

I valori di emissione di vibrazione dichiarati, indicati al paragrafo **Dati tecnici** e nella **Dichiarazione di conformità**, sono stati misurati in base al metodo di prova standard previsto dalla normativa EN62841 e possono essere usati come parametri di confronto tra due elettrotensili. Il valore di emissione di vibrazione dichiarato può anche essere usato per una valutazione preliminare dell'esposizione.

▲ AVVERTENZA! Il valore di emissione di vibrazione durante l'impiego effettivo dell'elettrotensile può variare da quello dichiarato a seconda delle modalità d'uso. Il livello di vibrazione può aumentare oltre quello dichiarato.

Quando si valuta l'esposizione alla vibrazione per stabilire le misure di sicurezza richieste, in conformità alla

normativa 2002/44/CE destinata alla protezione delle persone che usano regolarmente elettrotensili nello svolgimento delle proprie mansioni lavorative, è necessario prendere in considerazione le condizioni effettive di utilizzo e il modo in cui l'elettrotensile viene usato, oltre che tenere conto di tutte le componenti del ciclo operativo, vale a dire i periodi in cui l'elettrotensile è spento, quelli in cui è acceso ma a riposo e quelli in cui viene effettivamente utilizzato.

Etichette sull'elettrotensile

Sull'elettrotensile sono presenti i seguenti simboli assieme al codice data:



AVVERTENZA! per ridurre il rischio di lesioni personali, leggere attentamente il manuale di istruzioni.

Sicurezza elettrica



Il doppio isolamento di cui è provvisto l'elettrotensile rende superfluo il filo di terra. Verificare sempre che l'alimentazione corrisponda alla tensione riportata sulla targhetta dei valori nominali.

• In caso di danneggiamento del cavo di alimentazione, farlo sostituire dal produttore o presso un Centro di assistenza BLACK+DECKER autorizzato, in modo da evitare pericoli.

Caratteristiche (Fig. A)

Questo elettrotensile presenta alcune o tutte le seguenti caratteristiche.

- 1 Interruttore di azionamento a velocità variabile
- 2 Pulsante di blocco
- 3 Interruttore avanti/indietro
- 4 Selettore modalità operativa
- 5 Mandrino
- 6 Blocco del mandrino
- 7 Impugnatura laterale

ASSEMBLAGGIO

AVVERTENZA! prima di assemblare l'elettrotensile, assicurarsi che sia spento e scollegato dalla presa di corrente.

Montaggio dell'impugnatura laterale (Fig. B)

- Ruotare il manico **7C** in senso antiorario fino a quando è possibile infilare l'impugnatura laterale **7** sulla parte anteriore dell'elettrotensile come illustrato.
- Ruotare l'impugnatura laterale nella posizione desiderata assicurandosi che le tacche **7A** si inseriscano nella ruota dentata **7B**.
- Serrare l'impugnatura laterale ruotando il manico **7C** in senso orario.

NOTA: l'impugnatura laterale può essere posizionata a seconda della preferenza personale.

Montaggio di un accessorio (Fig. C)

- Premere il blocco del mandrino **6**.
- Aprire il mandrino portapunta **5** ruotando il manicotto in senso antiorario.
- Inserire il codolo della punta **8** nel mandrino.
- Serrare il mandrino portapunta ruotando il manicotto in senso orario.

USO

AVVERTENZA! lasciare che l'elettrotensile funzioni al proprio ritmo. Non sovraccaricarlo.

AVVERTENZA! prima di trapanare pareti, pavimenti o soffitti, controllare l'ubicazione di fili e tubazioni.

Accensione e spegnimento (Fig. D, G)

- Per accendere l'elettrotensile, premere l'interruttore a velocità variabile **1**. La velocità dell'elettrotensile dipende dalla pressione esercitata sull'interruttore.
- Per il funzionamento continuo, premere il pulsante di bloccaggio **2** e rilasciare l'interruttore a velocità variabile. Questa opzione non funziona con la rotazione indietro.
- Per spegnere l'elettrotensile, rilasciare l'interruttore di accensione a velocità variabile. Per spegnere l'elettrotensile durante il funzionamento continuo, premere ancora una volta l'interruttore a velocità variabile e rilasciarlo. Tenere sempre l'elettrotensile così come indicato in Figure D e G.

Selezione della direzione di rotazione (Fig. E)

- Per la trapanatura e per l'avvitatura usare la rotazione in avanti (senso orario). Per allentare le viti o per rimuovere punte da trapano incastrate, usare la rotazione indietro (senso antiorario).
- Per selezionare la rotazione in avanti, spingere il cursore avanti/indietro **3** verso sinistra.
 - Per selezionare la rotazione indietro, spingere il cursore avanti/indietro verso destra.

AVVERTENZA! non cambiare mai la direzione di rotazione quando il motore è in funzione.

Selezione della modalità di trapanatura (Fig. F)

- Pcalcestruzzo, regolare il selettore della modalità operativa **4** sulla posizione **T**.
- Per la trapanatura di acciaio, legno e plastica o per l'avvitatura, regolare il selettore della modalità operativa **4** sulla posizione **1**.

Accessori

Le prestazioni dell'elettrotensile dipendono dall'accessorio usato. Gli accessori BLACK+DECKER sono stati fabbricati in base a standard qualitativi elevati e sono stati progettati per ottenere le migliori prestazioni dall'elettrotensile. Utilizzando questi accessori si otterrà il meglio dall'elettrotensile.

MANUTENZIONE

Questo apparecchio/elettrotensile BLACK+DECKER, con o senza filo, è stato progettato per funzionare a lungo con una manutenzione minima. Prestazioni sempre soddisfacenti dipendono da una cura appropriata e da una pulizia regolare.

AVVERTENZA! prima di eseguire interventi di manutenzione su elettrotensili con o senza cavo procedere come descritto di seguito.

- Spegner e scollegare l'apparecchio/elettrotensile dalla presa di corrente.
- Oppure spegnere ed estrarre la batteria, se l'apparecchio/elettrotensile è dotato una batteria separata.
- Oppure lasciare scaricare completamente la batteria se è integrata nell'elettrotensile, quindi spegnerlo.
- Scollegare il caricabatterie dalla spina prima di pulirlo. Il caricabatterie non richiede alcuna manutenzione, salvo una regolare pulizia.
- Pulire regolarmente le prese di ventilazione dell'apparecchio/elettrotensile/alimentatore con un pennello o con un panno morbido e asciutto.

- Pulire regolarmente l'alloggiamento del motore con un panno umido. Non usare materiali abrasivi o detersivi a base di solventi.
- Aprire regolarmente il mandrino e batterlo leggermente per eliminare la polvere dall'interno (se montato).

Tutela ambientale



Raccolta differenziata. I prodotti e le batterie contrassegnati con questo simbolo non devono essere smaltiti con i rifiuti domestici normali. Prodotti e batterie contengono materiali che possono essere recuperati o riciclati, riducendo la domanda di materie prime.

Riciclare i prodotti elettrici e le batterie attenendosi alle disposizioni locali vigenti.

Ulteriori informazioni sono disponibili all'indirizzo

www.2helpU.com.

Dati tecnici

		BEH550 Tipo2	BEH710 Tipo2
Tensione	V_{CA}	230	230
Potenza nominale	W	550	710
Velocità a vuoto	min^{-1}	0 ~ 2800	0 ~ 2800
Forza di percussione	min^{-1}	0 ~ 47600	0 ~ 47600
Peso	kg	1,7	1,76
Capacità di perforazione max.			
Calcestruzzo	mm	13	13
Acciaio	mm	13	13
Legno	mm	25	25

BEH550 Livello di pressione sonora misurato in base a EN 62841:

Pressione sonora (L_{pA}) 96,5 dB(A), incertezza (K) 5 dB(A)

Potenza acustica (L_{WA}) 104,5 dB(A), incertezza (K) 5 dB(A)

BEH710 Livello di pressione sonora misurato in base a EN 62841:

Pressione sonora (L_{pA}) 98,5 dB(A), incertezza (K) 5 dB(A)

Potenza acustica (L_{WA}) 106,5 dB(A), incertezza (K) 5 dB(A)

BEH550 Valori totali vibrazioni (somma vettoriale triassiale) in base a EN 62841:

Trapanatura a percussione nel calcestruzzo (a_{hV}) 14,8 m/s^2 , incertezza (K) 1,5 m/s^2

Perforazione di metallo (a_{hV}) 1,8 m/s^2 , incertezza (K) 1,5 m/s^2

BEH710 Valori di emissione totali di vibrazioni (somma vettoriale triassiale) in conformità alla norma EN 62841:

Trapanatura a percussione nel calcestruzzo (a_{hV}) 16,2 m/s^2 , incertezza (K) 1,5 m/s^2

Perforazione di metallo (a_{hV}) 1,9 m/s^2 , incertezza (K) 1,5 m/s^2

Dichiarazione di conformità CE

DIRETTIVA MACCHINE



Trapano a percussione BEH550, BEH710

Black & Decker dichiara che i prodotti descritti al paragrafo "Dati tecnici" sono conformi alle seguenti normative:

2006/42/EC, EN 62841-1:2015+A11:2022,

EN 62841-2-1:2018+A11:2019+A1:2022+A12:2022

Questi prodotti sono conformi alle Direttive 2014/30/UE e 2011/65/UE. Per ulteriori informazioni contattare Black & Decker al seguente indirizzo oppure consultare l'ultima di copertina del manuale.

Il firmatario è responsabile della compilazione del documento tecnico e rende questa dichiarazione per conto di Black & Decker.

Patrick Diepenbach

Patrick Diepenbach
Direttore generale, Benelux
Black and Decker,
Egide Walschaertsstraat 14-18
2800 Mechelen, Belgio

02/08/2023

Garanzia

Black & Decker è certa della qualità dei propri prodotti e offre ai consumatori una garanzia di 24 mesi dalla data di acquisto. Tale garanzia è complementare ai diritti legali e non li pregiudica in alcun modo. La garanzia è valida nei territori degli stati membri dell'Unione europea, dell'EFTA (Associazione europea di libero scambio) e del Regno Unito.

Per usufruire della garanzia, il difetto di conformità deve essere comunicato in accordo con i Termini e condizioni Black & Decker e sarà necessario presentare la prova di acquisto al venditore o al tecnico riparatore di un centro di assistenza autorizzato.

I Termini e condizioni della garanzia Black & Decker di 2 anni e la sede del tecnico riparatore autorizzato più vicino sono consultabili su Internet all'indirizzo www.2helpU.com, o contattando il proprio ufficio di zona all'indirizzo indicato in questo manuale.

Visitare il nostro sito www.blackanddecker.eu per registrare il prodotto Black & Decker appena acquistato e ricevere gli aggiornamenti su nuovi prodotti e offerte speciali.

Bedoeld Gebruik

De BLACK+DECKER-slagboormachines van het type BEH550, BEH710 zijn ontworpen voor het boren in hout, metaal, kunststof en metselwerk, maar kan ook worden gebruikt als schroevendraaier. Dit gereedschap is uitsluitend bestemd voor consumentengebruik.

ALGEMENE VEILIGHEIDSWAARSCHUWINGEN VOOR ELEKTRISCH GEREEDSCHAP

▲ WAARSCHUWING: Lees alle veiligheidswaarschuwingen, instructies, illustraties en specificaties die bij dit gereedschap zijn meegeleverd. Het niet opvolgen van alle onderstaande instructies kan leiden tot een elektrische schok, brand en/of ernstig persoonlijk letsel.

BEWAAR ALLE WAARSCHUWINGEN EN INSTRUCTIES ALS TOEKOMSTIG REFERENTIEMATERIAAL

De term „elektrisch gereedschap“ in de waarschuwingen verwijst naar uw (met een snoer) op de netspanning aangesloten elektrische gereedschap of naar (draadloos) elektrisch gereedschap met een accu.

1) Veiligheid Werkplaats

- Houd het werkgebied schoon en goed verlicht.** Rommelige of donkere gebieden zorgen voor ongelukken.
- Bedien elektrische gereedschappen niet in een explosieve omgeving, zoals in de nabijheid van ontvlambare vloeistoffen, gassen of stof.** Elektrische gereedschappen veroorzaken vonken die het stof of de dampen kunnen doen ontbranden.
- Houd kinderen en omstanders op een afstand terwijl u een elektrisch gereedschap bedient.** Als u wordt afgeleid kunt u de controle over het gereedschap verliezen.

2) Elektrische Veiligheid

- Stekkers van elektrisch gereedschap moeten in het stopcontact passen. Pas de stekker nooit op enige manier aan. Gebruik geen adapterstekkers samen met geaard elektrisch gereedschap.** Niet aangepaste stekkers en passende contactdozen verminderen het risico op een elektrische schok.
- Vermijd lichamelijk contact met geaarde oppervlaktes zoals buizen, radiatoren, fornuizen en ijskasten.** Er bestaat een verhoogd risico op een elektrische schok als uw lichaam geaard is.
- Stel elektrisch gereedschap niet bloot aan regen of natte omstandigheden.** Als er water in een elektrisch gereedschap terecht komt, verhoogt dit het risico op een elektrische schok.
- Behandel het stroomsnoer voorzichtig. Gebruik het stroomsnoer nooit om het elektrische gereedschap te dragen of te trekken, of de stekker uit het stopcontact te halen. Houd het snoer uit de buurt van warmte, olie, scherpe randen, of bewegende onderdelen.** Beschadigde snoeren of snoeren die in de war zijn verhogen het risico op een elektrische schok.
- Als u een elektrisch gereedschap buitenshuis gebruikt, gebruikt u een verlengsnoer dat geschikt is voor gebruik buitenshuis.** Het gebruik van een verlengsnoer dat geschikt is voor buitenshuis, vermindert het risico op een elektrische schok.
- Als het gebruik van een elektrisch gereedschap op een vochtige locatie onvermijdelijk is, gebruikt u een stroomvoorziening die beveiligd is met een aardlekschakelaar.** Het gebruik van een aardlekschakelaar vermindert het risico op een elektrische schok.

3) Persoonlijke Veiligheid

- Blijf alert, kijk wat u doet en gebruik uw gezonde verstand als u een elektrisch gereedschap bedient. Gebruik het gereedschap niet als u vermoeid bent of onder de invloed van drugs, alcohol of medicatie bent.** Een moment van onoplettendheid tijdens het bedienen van elektrische gereedschappen kan leiden tot ernstig persoonlijk letsel.
- Gebruik een beschermende uitrusting. Draag altijd oogbescherming.** Beschermende uitrusting zoals een stofmasker, antislip veiligheidschoenen, een helm, of gehoorbescherming gebruikt in de juiste omstandigheden zal het risico op persoonlijk letsel verminderen.
- Vermijd onbedoeld starten. Zorg ervoor dat de schakelaar in de „off“ (uit) stand staat voordat u het gereedschap aansluit op de stroombron en/of accu, het oppakt of ronddraagt.** Het rondragen van elektrische gereedschappen met uw vinger op de schakelaar of het aanzetten van elektrische gereedschappen waarvan de schakelaar aan staat, zorgt voor ongelukken.
- Verwijder alle stelsleutels of moersleutels voordat u het elektrische gereedschap aan zet.** Een moersleutel of stelsleutel die in een ronddraaiend onderdeel van het elektrische gereedschap is achtergelaten kan leiden tot persoonlijk letsel.
- Rek u niet te ver uit. Blijf altijd stevig en in balans op de grond staan.** Dit zorgt voor betere controle van het elektrische gereedschap in onverwachte situaties.
- Draag geschikte kleding. Draag geen loszittende kleding of sieraden. Houd uw haar, kleding en handschoenen uit de buurt van bewegende onderdelen.** Loszittende kleding, sieraden of lang haar kunnen door bewegende delen worden gegrepen.
- Als er in apparaten wordt voorzien voor het aansluiten van stofverwijdering- of verzamelapparatuur, zorg er dan voor dat deze correct worden aangesloten en gebruikt.** Het gebruik van een stofverzamelaar kan aan stof gerelateerde gevaren verminderen.
- Denk niet dat u, doordat u het gereedschap veel hebt gebruikt, het allemaal wel weet en dat u de veiligheidsbeginselen kunt negeren.** Een onvoorzichtige actie kan in een fractie van een seconde ernstig letsel tot gevolg hebben.

4) Gebruik en Verzorging van Elektrisch Gereedschap

- Forceer het gereedschap niet. Gebruik het juiste elektrische gereedschap voor uw toepassing.** Het juiste elektrische gereedschap voert de werkzaamheden beter en veiliger uit waarvoor het is ontworpen.
- Gebruik het gereedschap niet als de schakelaar het niet aan en uit kan zetten.** Leder gereedschap dat niet met de schakelaar kan worden bediend is gevaarlijk en moet worden gerepareerd.
- Trek de stekker uit het stopcontact en/of neem de accu, als deze kan worden losgenomen, uit het elektrisch gereedschap en voer daarna pas aanpassingen uit, wissel daarna pas accessoires of berg daarna pas het gereedschap op.** Dergelijke preventieve veiligheidsmaatregelen verminderen het risico dat het elektrisch gereedschap per ongeluk opstart.
- Bewaar gereedschap dat niet wordt gebruikt buiten het bereik van kinderen en laat niet toe dat personen die onbekend zijn met het elektrische gereedschap of deze instructies het gereedschap bedienen.** Elektrische gereedschappen zijn gevaarlijk in handen van ongetrainde gebruikers.

e) **Onderhoud elektrische gereedschappen. Controleer op verkeerde uitlijning en het grijpen van bewegende onderdelen, breuk van onderdelen en andere omstandigheden die de werking van het gereedschap nadelig kunnen beïnvloeden. Zorg dat het gereedschap voor gebruik wordt gerepareerd als het beschadigd is.** Veel ongelukken worden veroorzaakt door slecht onderhouden gereedschap.

f) **Houd snijdgereedschap scherp en schoon.** Correct onderhouden snijdgereedschappen met scherpe snijdranden lopen minder snel vast en zijn gemakkelijker te beheersen.

g) **Gebruik het elektrische gereedschap, de accessoires en gereedschapsonderdelen enz. in overeenstemming met deze instructies, waarbij u rekening houdt met de werkomstandigheden en de werkzaamheden die dienen te worden uitgevoerd.** Gebruik van het elektrische gereedschap voor werkzaamheden die anders zijn dan het bedoelde gebruik, kunnen leiden tot een gevaarlijke situatie.

h) **Houd de handgrepen en oppervlakken die u beet pakt, droog, schoon en vrij van olie en vet.** Door gladde handgrepen en oppervlakken die u beet pakt, kan veilig werken en bedienen van het gereedschap in onverwachte situaties onmogelijk worden.

5) Service

a) **Zorg dat u gereedschap wordt onderhouden door een erkende reparateur die uitsluitend identieke vervangende onderdelen gebruikt.** Dit zorgt ervoor dat de veiligheid van het gereedschap blijft gegarandeerd.

Veiligheidsvoorschriften voor alle handelingen

- **Draag gehoorbescherming wanneer u de boorhamer gebruikt.** Blootstelling aan lawaai kan gehoorverlies veroorzaken.
- **Gebruik de hulphandgreep/hulphandgrepen.** Verlies van controle kan leiden tot persoonlijk letsel.
- **Pak het gereedschap goed vast wanneer u het gaat gebruiken.** Dit gereedschap produceert een krachtig koppel en wanneer u het gereedschap niet stevig vast heeft tijdens de werkzaamheden, kunt u de controle verliezen en dat kan persoonlijk letsel tot gevolg hebben.
- **Houd het elektrisch gereedschap vast aan de geïsoleerde greepoppervlakken, wanneer u werkzaamheden uitvoert waarbij de boorbit in aanraking kan komen met verborgen bedrading of het eigen snoer.** Accessoires van elektrisch gereedschap die in contact komen met bedrading waar spanning op staat, kunnen metalen onderdelen van het gereedschap onder stroom zetten en de gebruiker een elektrische schok geven.

Veiligheidsinstructies wanneer u lange boren gebruikt

- **Werk nooit op een hogere snelheid dan de maximale nominale snelheid op de boor-bit.** Bij hogere snelheden zal de boor misschien doorbuigen als deze vrij kan draaien zonder contact met het werkstuk, wat persoonlijk letsel tot gevolg heeft.
- **Begin altijd met woorden op een lagere snelheid met de boor-bit in contact met het werkstuk.** Bij hogere snelheden zal de boor misschien doorbuigen als deze vrij kan draaien zonder contact met het werkstuk, wat persoonlijk letsel tot gevolg heeft.
- **Oefen alleen in een directe lijn met het boortje druk uit en oefen niet al te veel druk uit.** Bits kunnen doorbuigen waardoor de bit kan breken of de gebruiker de controle kan verliezen, wat persoonlijk letsel tot gevolg heeft.

Aanvullende veiligheidsvoorschriften voor boormachine/schroevendraaier/hamerboor

- **Zet het werkstuk met klemmen of op een andere praktische manier vast en ondersteun het op een stabiele ondergrond.** Wanneer u het werkstuk vasthoudt met de hand of tegen uw lichaam gedrukt houdt, is het instabiel en kunt u de controle verliezen.
- **Accessoires en het gereedschap kunnen tijdens het werken heet worden.** Draag wanneer u ze hanteert handschoenen als u toepassingen uitvoert waarbij warmte vrijkomt, zoals werken met de hamerboor en het boren in metaal.
- **Ventilatieopeningen bedekken vaak bewegende onderdelen en kunnen beter niet worden aangeraakt.** Loszittende kleding, sieraden of lang haar kunnen door bewegende delen worden gegrepen.
- **Draag een veiligheidsbril of andere bescherming van uw ogen.** Tijdens het werken met de boor of hamerboor kunnen er kleine stukjes materiaal in het rond vliegen. Vliegende deeltjes kunnen permanente beschadiging van de ogen veroorzaken.
- **Draag gehoorbescherming wanneer u de boorhamer gebruikt.** Blootstelling aan lawaai kan gehoorverlies veroorzaken.
- **Gebruik de hulphandgreep/hulphandgrepen als die bij het gereedschap wordt/worden geleverd.** Verlies van controle kan leiden tot persoonlijk letsel.
- **Werk niet lange tijd achtereenvolgend met dit gereedschap.** Trilling die wordt veroorzaakt door de werking van het gereedschap kunnen schadelijk zijn voor uw handen en armen. Draag handschoenen zodat de trillingen worden opgevangen en beperk de blootstelling door regelmatig rustperiodes in te lassen.

Veiligheid van anderen

- **Dit gereedschap mag worden gebruikt door kinderen van 8 jaar en ouder en personen die lichamelijk of geestelijk minder valide zijn of die geen ervaring met of kennis van dit gereedschap hebben, mits zij onder toezicht staan of instructies krijgen voor een veilige manier van gebruiken van het gereedschap en begrijpen welke gevaren het gebruik met zich meebrengt.**
- **Kinderen mogen niet met het apparaat spelen.** Laat kinderen nooit zonder toezicht het gereedschap schoonmaken of onderhouden.

Overige risico's

Er kunnen zich bij het gebruik van dit gereedschap nog meer risico's voordoen, die mogelijk niet in de bijgesloten veiligheidsaankeringen worden beschreven. Deze risico's kunnen zich voordoen door onoordeelkundig gebruik, langdurig gebruik, enz.

Zelfs wanneer de veiligheidsvoorschriften in acht worden genomen en de veiligheidsvoorzieningen worden gebruikt, kunnen bepaalde risico's niet worden uitgesloten. Dit zijn onder meer:

- **Verwondingen die worden veroorzaakt door het aanraken van draaiende of bewegende onderdelen.**
- **Verwondingen die worden veroorzaakt bij het vervangen van onderdelen, bladen of accessoires.**
- **Letsel dat wordt veroorzaakt door langdurig gebruik van gereedschap.** Wanneer u langere periodes met gereedschap werkt, kunt u het beste regelmatig een pauze nemen.
- **Gehoorschadiging.**
- **Gezondheidsrisico's door het inademen van stof dat vrijkomt tijdens het gebruik van het gereedschap (bijvoorbeeld: het werken met hout, met name eiken, beuken en MDF).**

Trillingen

De aangegeven waarden voor trillingsemissie in de **technische gegevens** en de **conformiteitsverklaring**, zijn gemeten conform een standaardtestmethode die door EN62841 wordt verstrekt. Hiermee kan het ene gereedschap met het andere worden vergeleken. De aangegeven waarde voor trillingsemissie kan ook worden gebruikt bij een voorlopige bepaling van blootstelling.

▲ WAARSCHUWING! De waarde voor trillingsemissie tijdens het werkelijke gebruik van het elektrisch gereedschap kan verschillen van de aangegeven waarde afhankelijk van de manieren waarop het gereedschap wordt gebruikt. Het trillingsniveau kan toenemen tot boven het aangegeven niveau. Bij beoordeling van de blootstelling aan trillingen met het doel vast te stellen welke veiligheidsmaatregelen 2002/44/EG vereist ter bescherming van personen die tijdens hun werk regelmatig elektrisch gereedschap gebruiken, moet bij een inschatting van de blootstelling aan trillingen rekening worden gehouden met de werkelijke gebruiksomstandigheden en de manier waarop het gereedschap wordt gebruikt. Daarbij moet ook rekening worden gehouden met alle onderdelen van de bedrijfsacyclus, zoals wanneer het gereedschap wordt uitgeschakeld en wanneer het gereedschap stationair loopt en ook de aanlooptijd.

Etiketten op het gereedschap

Naast de datumcode is het gereedschap voorzien van de volgende symbolen:



WAARSCHUWING! De gebruiker moet de instructiehandleiding lezen zodat het risico van letsel wordt beperkt.

Elektrische veiligheid



Dit gereedschap is dubbel geïsoleerd, daarom is een aardeaansluiting niet vereist. Controleer altijd dat de stroomvoorziening overeenkomt met de voltage op het typeplaatje.

• Als het netsnoer is beschadigd, moet het worden vervangen door de fabrikant of een geautoriseerd BLACK+DECKER-servicecentrum zodat gevaarlijke situaties worden voorkomen.

Funcies (Afb. [Fig.] A)

Dit gereedschap omvat enkele of alle van de volgende functies.

- 1 Variabele-snelheidsschakelaar
- 2 Knop voor vergrendeling in de Aan-stand
- 3 Schakelaar voor vooruit/achteruit
- 4 Selectieschakelaar voor boorstand
- 5 Spankop
- 6 Spankopvergrendeling
- 7 Zijhandgreep

MONTAGE

▲ WAARSCHUWING! Controleer, voor montage, dat het gereedschap is uitgeschakeld en de stekker uit het stopcontact is getrokken.

Bevestigen van de zijhandgreep (Afb. B)

- Draai de knop **7C** naar rechts tot u de zijhandgreep op de voorzijde van het gereedschap kunt schuiven, zoals wordt getoond.
- Draai de zijhandgreep in de gewenste positie en let er daarbij op dat de nokken **7A** ingrijpen in de vertanding **7B**.

- Zet de zijhandgreep vast door de knop **7C** naar rechts te draaien.

NB: U kunt de zijhandgreep plaatsen, afhankelijk van uw persoonlijke voorkeur.

Een hulpstuk bevestigen (Afb. C)

- Druk de vergrendeling **6** van de spankop in.
- Open de spankop **5** door de kraag naar links te draaien.
- Plaats de bitschacht **8** in de spankop.
- Draai de spankop vast door de kraag naar rechts te draaien.

GEbruIK

▲ WAARSCHUWING! Laat het gereedschap op z'n eigen snelheid werken. Overbelast het gereedschap niet.

▲ WAARSCHUWING! Controleer waar zich bedrading en leidingen bevinden voordat u in muren, vloeren of plafonds boort.

In- en uitschakelen (Afb. D, G)

- Schakel het gereedschap in door op de schakelaar **1** voor variabele snelheid te drukken. De snelheid van het gereedschap hangt af van hoe ver u de schakelaar indrukt.
- Activeer de stand voor de ononderbroken werking door de knop **2** voor vergrendeling in de Aan-stand in te drukken en de schakelaar voor variabele snelheid los te laten. Deze optie werkt niet bij achterwaartse rotatie.
- U schakelt het gereedschap uit door de schakelaar voor de variabele snelheid los te laten. U kunt het gereedschap wanneer het ononderbroken werkt uitschakelen door weer op de schakelaar voor variabele snelheid te trekken en deze vervolgens los te laten. Houd het gereedschap altijd vast zoals in Afbeeldingen D en G wordt getoond.

De draairichting selecteren (Afb. E)

Voor boren en het vastdraaien van schroeven, gebruikt u de voorwaartse draairichting (rechtsom). Gebruik voor het losdraaien van schroeven of het losmaken van een vastgelopen boorbit de tegengestelde draairichting (linksom).

- Duw, als u vooruit draaien wilt selecteren, de schuifknop voor vooruit/achteruit **3** naar links.
- Duw, als u achteruit draaien wilt selecteren, de schuifknop voor vooruit/achteruit naar rechts.

▲ WAARSCHUWING! Verander de draairichting nooit terwijl de motor loopt.

De boorstand selecteren (Afb. F)

- Zet voor gebruik als hamerboor in metselwerk of beton, de selectieknop **4** in de positie **T**.
- Zet voor boren in staal, hout of kunststof of voor gebruik als schroevendraaier de selectieschakelaar **4** voor de bedrijfsstand in de stand **1**.

Accessoires

De prestaties van het gereedschap zijn afhankelijk van de gebruikte accessoires. Accessoires van BLACK+DECKER zijn ontworpen om aan hoge kwaliteitsnormen te voldoen en de prestaties van uw gereedschap te verhogen. Door deze accessoires te gebruiken kunt u uw gereedschap nog beter laten presteren.

ONDERHOUD

Uw BLACK+DECKER-apparaat/-gereedschap (met netsnoer/snoerloos) is ontworpen om gedurende lange tijd te functioneren met een minimum aan onderhoud. Het continu naar tevredenheid functioneren hangt af van de juiste zorg voor het gereedschap en regelmatig schoonmaken.

⚠ WAARSCHUWING! Ga als volgt te werk voor u onderhoud aan elektrisch gereedschap met of zonder snoer uitvoert:

- Schakel het gereedschap/apparaat uit en trek de stekker uit het stopcontact.
- Of schakel het gereedschap/apparaat als het een afzonderlijke accu heeft, uit en neem de accu uit.
- Of laat de accu volledig ontladen, als de accu is ingebouwd en schakel het gereedschap uit.
- Trek de stekker van de lader uit het stopcontact voor u de lader schoonmaakt. Behalve regelmatige reiniging vraagt de lader geen onderhoud.
- Reinig regelmatig de ventilatieopeningen van het gereedschap/apparaat/lader met een zachte borstel of droge doek.
- Reinig de behuizing van de motor regelmatig met een vochtige doek. Gebruik niet een schurend schoonmaakmiddel of een schoonmaakmiddel op basis van een oplosmiddel.
- Open regelmatig de spankop, tik erop en verwijder zo eventueel stof uit het binnenste (indien van toepassing).

Het milieu beschermen

 Gescheiden afvalinzameling. Producten en accu's waarop dit symbool is aangebracht, mogen niet bij het normale huishoudafval worden weggegooid. Producten en accu's bevatten materialen die kunnen worden

teruggewonnen of gerecycled en dat doet de vraag naar grondstoffen afnemen.

Recycle elektrische producten en accu's volgens de ter plaatse geldende bepalingen.

Nadere informatie is beschikbaar op www.2helpU.com.

Technische gegevens

		BEH550 Type2	BEH710 Type2
Spanning	V_{AC}	230	230
Nominaal vermogen	W	550	710
Snelheid onbelast	min^{-1}	0 ~ 2800	0 ~ 2800
Slagfrequentie	min^{-1}	0 ~ 47600	0 ~ 47600
Gewicht	kg	1,7	1,76
Max. boorcapaciteit			
Beton	mm	13	13
Staal	mm	13	13
Hout	mm	25	25

BEH550 Geluidsrukniveau volgens EN 62841:

Geluidsdruk (L_{pA}) 96,5 dB(A), meetonzekerheid (K) 5 dB(A)

Geluidsvermogen (L_{WA}) 104,5 dB(A), meetonzekerheid (K) 5 dB(A)

BEH710 Geluidsrukniveau volgens EN 62841:

Geluidsdruk (L_{pA}) 98,5 dB(A), meetonzekerheid (K) 5 dB(A)

Geluidsvermogen (L_{WA}) 106,5 dB(A), meetonzekerheid (K) 5 dB(A)

BEH710 Totale trillingswaarden (som triaxvector) volgens EN 62841:

Met slagboor in beton boren ($a_{h,v}$) 16,2 m/s^2 , meetonzekerheid (K) 1,5 m/s^2

In metaal boren ($a_{h,v}$) 1,9 m/s^2 , meetonzekerheid (K) 1,5 m/s^2

EG Conformiteitsverklaring

RICHTLIJN VOOR MACHINES



BEH550, BEH710 slagboormachine

Black & Decker verklaart dat deze producten, beschreven bij 'Technische gegevens', voldoen aan:

2006/42/EC, EN 62841-1:2015+A11:2022,
EN 62841-2-1:2018+A11:2019+A1:2022+A12:2022

Deze producten voldoen tevens aan richtlijn 2014/30/EU en 2011/65/EU. Neem voor meer informatie contact op met Black & Decker op het volgende adres of raadpleeg de achterzijde van de handleiding.

De ondergetekende is verantwoordelijk voor de samenstelling van het technische bestand en legt deze verklaring af namens Black & Decker.

Patrick Diepenbach

Patrick Diepenbach
General Manager, Benelux
Black and Decker,
Egide Walschaertsstraat 14-18
2800 Mechelen, België
02/08/2020

Garantie

Black & Decker heeft vertrouwen in zijn producten en biedt consumenten een garantie van 24 maanden vanaf de aankoopdatum. Deze garantie vormt een aanvulling op uw wettelijke rechten en beperkt deze op geen enkele manier. De garantie is geldig binnen de gebieden van de lidstaten van de Europese Unie, het Europese vrijhandelsgebied en het Verenigd Koninkrijk.

Voor een garantie-aanspraak moet uw aanspraak in overeenstemming zijn met de Voorwaarden en Condities van Black & Decker en moet u een bewijs van aankoop overleggen aan de verkoper of aan een geautoriseerde reparatiemonteur. Voorwaarden en condities van de 2-jarige garantie van Black & Decker en het adres van de vestiging van het geautoriseerde reparatiecentrum bij u in de buurt, kunt u vinden op internet op www.2helpU.com, of door contact op te nemen met het Black & Decker-kantoor ter plaatse op het adres dat in deze handleiding wordt vermeld.

Ga naar onze website www.blackanddecker.eu om uw nieuw Black & Decker-product te registreren en het laatste nieuws vindt over nieuwe producten en speciale aanbiedingen te ontvangen.

Uso Previsto

El taladro percutor BLACK+DECKER BEH550, BEH710 ha sido diseñado para taladrar madera, metal, plásticos y mampostería, así como para atornillar. Esta herramienta ha sido concebida únicamente para uso doméstico.

ADVERTENCIAS DE SEGURIDAD GENERALES PARA HERRAMIENTAS ELÉCTRICAS

▲ ADVERTENCIA: Lea todas las advertencias de seguridad, instrucciones, ilustraciones y especificaciones suministradas con esta herramienta eléctrica. El incumplimiento de las instrucciones que se indican a continuación puede causar descargas eléctricas, incendios y/o lesiones graves.

CONSERVE TODAS LAS ADVERTENCIAS E INSTRUCCIONES PARA FUTURAS CONSULTAS

El término "herramienta eléctrica" que aparece en las advertencias se refiere a la herramienta eléctrica que funciona a través de la red eléctrica (con cable) o a la herramienta eléctrica que funciona con batería (sin cable).

1) Seguridad en el Área de Trabajo

a) **Mantenga el área de trabajo limpia y bien iluminada.**

Las áreas de desorden u oscuras pueden provocar accidentes.

b) **No utilice herramientas eléctricas en atmósferas explosivas, como ambientes donde haya polvo, gases o líquidos inflamables.** Las herramientas eléctricas originan chispas que pueden inflamar el polvo o los gases.

c) **Mantenga alejados a los niños y a las personas que estén cerca mientras utiliza una herramienta eléctrica.** Las distracciones pueden ocasionar que pierda el control.

2) Seguridad Eléctrica

a) **Los enchufes de las herramientas eléctricas deben corresponderse con la toma de corriente. No modifique nunca el enchufe de ninguna forma. No utilice ningún enchufe adaptador con herramientas eléctricas conectadas a tierra.** Los enchufes no modificados y las tomas de corriente correspondientes reducirán el riesgo de descarga eléctrica.

b) **Evite el contacto del cuerpo con superficies conectadas a tierra como tuberías, radiadores, cocinas económicas y frigoríficos.** Existe un mayor riesgo de descarga eléctrica si tiene el cuerpo conectado a tierra.

c) **No exponga las herramientas eléctricas a la lluvia ni a condiciones húmedas.** Si entra agua a una herramienta eléctrica aumentará el riesgo de descarga eléctrica.

d) **No someta el cable de alimentación a presión innecesaria. No use nunca el cable para transportar, tirar de la herramienta eléctrica o desenchufarla. Mantenga el cable alejado del calor, aceite, bordes afilados y piezas en movimiento.** Los cables dañados o enredados aumentan el riesgo de descarga eléctrica.

e) **Cuando esté utilizando una herramienta eléctrica al aire libre, use un cable alargador adecuado para uso en exteriores.** La utilización de un cable adecuado para el uso en exteriores reduce el riesgo de descarga eléctrica.

f) **Si no puede evitar utilizar una herramienta eléctrica en un lugar húmedo, use un suministro protegido con un dispositivo de corriente residual.** El uso de un dispositivo de corriente residual reduce el riesgo de descarga eléctrica.

3) Seguridad Personal

a) **Manténgase alerta, esté atento a lo que hace y use el sentido común cuando utilice una herramienta eléctrica. No maneje una herramienta eléctrica cuando esté cansado o bajo los efectos de drogas, medicamentos o alcohol.** Un momento de falta de atención cuando se manejan las herramientas eléctricas puede ocasionar lesiones personales graves.

b) **Use un equipo protector personal. Utilice siempre protección ocular.** El uso del equipo protector como mascarillas antipolvo, calzado antideslizante, casco o protección auditiva para condiciones apropiadas reducirá las lesiones personales.

c) **Evite la puesta en funcionamiento involuntaria. Asegúrese de que el interruptor esté en posición de apagado antes de conectar con la fuente de alimentación y/o la batería, de levantar o transportar la herramienta.** El transportar herramientas eléctricas con el dedo puesto en el interruptor o herramientas eléctricas activadoras que tengan el interruptor encendido puede provocar accidentes.

d) **Saque toda llave de ajuste o llave inglesa antes de encender la herramienta eléctrica.** Una llave inglesa u otra llave que se deje puesta en una pieza en movimiento de la herramienta eléctrica pueden ocasionar lesiones personales.

e) **No intente extender las manos demasiado. Mantenga un apoyo firme sobre el suelo y conserve el equilibrio en todo momento.** Esto permite un mejor control de la herramienta eléctrica en situaciones inesperadas.

f) **Vístase debidamente. No se ponga ropa suelta o joyas. Mantenga el pelo, la ropa y los guantes alejados de las piezas móviles.** La ropa suelta, las joyas y el pelo largo pueden quedar atrapados en las piezas en movimiento.

g) **Si se suministran dispositivos para la conexión del equipo de extracción y recogida de polvo, asegúrese de que estén conectados y de que se usen adecuadamente.** El uso de equipo de recogida de polvo puede reducir los riesgos relacionados con el polvo.

h) **No deje que la familiaridad adquirida con el uso frecuente de las herramientas le lleve a fiarse demasiado y a descuidar las principales normas de seguridad de la herramienta.** Los descuidos pueden causar lesiones graves en una fracción de segundo.

4) Uso y cuidado de las herramientas Eléctricas

a) **No fuerce la herramienta eléctrica. Use la herramienta eléctrica correcta para su trabajo.** La herramienta eléctrica correcta funcionará mejor y con mayor seguridad si se utiliza de acuerdo con sus características técnicas.

b) **No utilice la herramienta eléctrica si no puede encenderse y apagarse con el interruptor.** Toda herramienta eléctrica que no pueda controlarse con el interruptor es peligrosa y debe ser reparada.

c) **Desconecte el enchufe de la fuente de alimentación y/o extraiga la batería de la herramienta eléctrica, si es desmontable, antes de realizar cualquier ajuste, cambiar accesorios o guardar las herramientas eléctricas.** Dichas medidas de seguridad preventivas reducen el riesgo de poner en marcha accidentalmente la herramienta eléctrica.

d) **Guarde las herramientas eléctricas que no esté utilizando fuera del alcance de los niños y no permita que utilicen la herramienta eléctrica las personas que no estén familiarizadas con ella o con estas instrucciones.** Las herramientas eléctricas son peligrosas en manos de personas no capacitadas.

e) **Ocúpese del mantenimiento de las herramientas eléctricas. Compruebe si hay desalineación o bloqueo de las piezas en movimiento, rotura de piezas y otras condiciones que puedan afectar al funcionamiento de la herramienta eléctrica. Si la herramienta eléctrica está dañada, llévela para que sea reparada antes de utilizarla.**

Se ocasionan muchos accidentes por el mal mantenimiento de las herramientas eléctricas.

f) **Mantenga las herramientas para cortar afiladas y limpias.** Hay menos probabilidad de que las herramientas para cortar con bordes afilados se bloqueen y son más fáciles de controlar.

g) **Use la herramienta eléctrica, los accesorios y las brocas de la herramienta etc., conforme a estas instrucciones teniendo en cuenta las condiciones de trabajo y el trabajo que vaya a realizarse.** El uso de la herramienta eléctrica para operaciones que no sean las previstas puede ocasionar una situación peligrosa.

h) **Mantenga todas las empuñaduras y superficies de agarre secas, limpias y libres de aceite y grasa.**

Las empuñaduras y superficies de agarre resbaladizas impiden el agarre y el control seguro de la herramienta en situaciones imprevistas.

5) Servicio

a) **Lleve su herramienta eléctrica para que sea reparada por una persona cualificada para realizar las reparaciones que use sólo piezas de recambio idénticas.** Así se asegurará que se mantenga la seguridad de la herramienta eléctrica.

Instrucciones de seguridad para todas las operaciones

• **Lleve protección acústica al realizar operaciones de perforación de impacto.** La exposición al ruido puede provocar pérdida de audición.

• **Uso de la o las empuñaduras auxiliares.** La pérdida de control puede provocar lesiones personales.

• **Agarre bien la herramienta correctamente antes de usarla.** Esta herramienta produce un alto par de salida y, si no se apunta correctamente durante el funcionamiento, puede perder el control y provocar lesiones personales.

• **Sujete la herramienta eléctrica por la superficie de agarre aislada cuando realice una operación en la que el accesorio de corte pueda entrar en contacto con un cableado oculto o con su propio cable.** El contacto de los accesorios de corte con un cable cargado, puede cargar las partes metálicas expuestas de la herramienta eléctrica y producir una descarga eléctrica al operador.

Indicaciones de seguridad para el uso de brocas largas

• **Nunca utilice una velocidad superior a la velocidad nominal máxima indicada para la broca.** A velocidades más altas, la broca podría doblarse si se la deja girar libremente sin entrar en contacto con la pieza de trabajo, y podría ocasionar lesiones personales.

• **Empiece a taladrar siempre a baja velocidad y poniendo la punta de la broca en contacto con la pieza de trabajo.** A velocidades más altas, la broca podría doblarse si se la deja girar libremente sin entrar en contacto con la pieza de trabajo, y podría ocasionar lesiones personales.

• **Aplique una presión no demasiado excesiva y solo en línea directa con la broca.** Las brocas pueden doblarse causando rotura o pérdida de control y lesiones personales.

Advertencias de seguridad adicionales para taladros/atornilladores/martillos

• **Utilice fijaciones u otro tipo de método para fijar y apoyar la pieza de trabajo en una plataforma estable.** Si sostiene la pieza de trabajo con las manos o con el cuerpo, la pieza quedará inestable y puede hacerle perder el control.

• **Los accesorios y la herramienta pueden alcanzar altas temperaturas durante el funcionamiento.** Lleve guantes cuando los manipule si realiza operaciones que produzcan calor como el taladrado de metales.

• **Las ventilaciones cubren a menudo las piezas móviles y deberán evitarse.** La ropa suelta, las joyas y el pelo largo pueden quedar atrapados en las piezas móviles.

• **Lleve gafas de seguridad u otro tipo de protección visual.** Las operaciones de taladrado y perforado provoca el vuelo de astillas. Las partículas en vuelo pueden provocar daños oculares permanentes.

• **Lleve protección acústica al realizar operaciones de perforación de impacto.** La exposición al ruido puede provocar pérdida de audición.

• **Utilice la o las empuñaduras auxiliares, si la herramienta las tiene.** La pérdida de control puede provocar lesiones personales.

• **No utilice esta herramienta durante largos periodos de tiempo.** Las vibraciones provocadas por la acción del taladro pueden resultar perjudicial para los brazos y las manos. Utilice guantes para ofrecer una protección adicional y limite la exposición tomando periodos de descansos frecuentes.

Seguridad de otras personas

• **Esta herramienta puede ser usada por niños a partir de 8 años de edad y por personas con capacidades físicas, sensoriales o mentales disminuidas, o que carezcan de experiencia y conocimientos, si están supervisadas o han recibido formación con respecto al uso del aparato de una forma segura y que comprenden los peligros que entraña su uso.**

• **Los niños no deben jugar con el aparato.** Los niños no deberán realizar las tareas de limpieza y mantenimiento de usuario, salvo que lo hagan bajo supervisión.

Riesgos residuales

El uso de esta herramienta puede producir riesgos residuales adicionales no incluidos en las advertencias de seguridad adjuntas. Estos riesgos se pueden generar por un uso incorrecto, demasiado prolongado, etc.

El cumplimiento de las normas de seguridad correspondientes y el uso de dispositivos de seguridad no evitan ciertos riesgos residuales. Dichos riesgos incluyen:

• **Lesiones producidas por el contacto con piezas móviles o giratorias.**

• **Lesiones producidas al cambiar cualquier pieza, hoja o accesorio.**

• **Lesiones producidas al usar una herramienta durante un tiempo demasiado prolongado.** Si utiliza una herramienta durante periodos de tiempo demasiado prolongados, asegúrese de realizar pausas con frecuencia.

• **Deterioro auditivo.**

• **Riesgos para la salud producidos al respirar el polvo que se genera cuando se utiliza la herramienta (ejemplo: en los trabajos con madera, especialmente si son de roble, haya y tableros de densidad mediana).**

Vibración

Los valores de emisión de vibraciones declarados en el apartado de **datos técnicos** y en la **declaración de conformidad** se han calculado según un método de prueba estándar proporcionado por la norma EN62841 y pueden utilizarse para comparar una herramienta con otra. El valor de emisión de vibraciones especificado también puede utilizarse en una evaluación preliminar de la exposición.

⚠ ¡ADVERTENCIA! *El valor de emisión de vibraciones durante el funcionamiento real de la herramienta eléctrica puede diferir del valor declarado en función de cómo se utilice dicha herramienta. El nivel de las vibraciones puede aumentar por encima del nivel declarado.*

Al evaluar la exposición a las vibraciones con el fin de determinar las medidas de seguridad que exige la directiva 2002/44/CE para proteger a las personas que utilizan periódicamente herramientas eléctricas en el entorno laboral, deberá tenerse en cuenta una estimación de la exposición a las vibraciones, las condiciones de uso reales y el modo de empleo de la herramienta, así como los pasos del ciclo operativo como, por ejemplo, el número de veces que la herramienta se apaga, el tiempo que está parada y el tiempo de activación.

Etiquetas en la herramienta

Junto con el código de la fecha, en la herramienta aparecen los siguientes pictogramas:



¡ADVERTENCIA! *Para reducir el riesgo de lesiones, el usuario debe leer el manual de instrucciones.*

Seguridad eléctrica



Esta herramienta lleva un doble aislamiento; por lo tanto, no requiere una toma de tierra. Compruebe siempre que el voltaje suministrado corresponda al indicado en la placa de características.

- Si el cable de alimentación se daña, deberá ser sustituido por el fabricante o un centro de servicio técnico autorizado de BLACK+DECKER para evitar riesgos.

Características (Fig. A)

Esta herramienta incluye alguna de las siguientes características o todas ellas.

- 1 Interruptor de velocidad variable
- 2 Botón de funcionamiento continuo
- 3 Interruptor de avance/retroceso
- 4 Selector de modo de perforación
- 5 Portabroca
- 6 Bloqueo del mandril
- 7 Empuñadura lateral

MONTAJE

⚠ ¡ADVERTENCIA! *Antes de proceder al montaje, compruebe que la herramienta está apagada y desenchufada.*

Montaje de la empuñadura lateral (Fig. B)

- Gire la perilla **7C** hacia la izquierda hasta que pueda deslizar la empuñadura lateral **7** hacia la parte frontal de la herramienta como se muestra.

- Gire la empuñadura lateral hacia la posición deseada y compruebe que las muescas **7A** encajen en los salientes de la herramienta **7B**.

- Apriete la empuñadura lateral girando la perilla **7C** en sentido horario.

NOTA: La empuñadura lateral puede colocarse según las preferencias personales.

Montaje de un accesorio (Fig. C)

- Pulse el bloqueo del portabroca **6**.
- Abra el portabroca **5** girando en sentido antihorario el manguito.
- Inserte el mango de la broca **8** en el portabroca.
- Gire el manguito en sentido antihorario para apretar el portabroca.

USO

⚠ ¡ADVERTENCIA! *Deje que la herramienta funcione a su ritmo. No la sobrecargue.*

⚠ ¡ADVERTENCIA! *Antes de perforar paredes, suelos o techos, compruebe la ubicación de los cables y tuberías.*

Encendido y apagado (Fig. D, G)

- Para encender la herramienta, pulse el interruptor de velocidad variable **1**. La velocidad de la herramienta depende de lo lejos que presione el interruptor.
- Pulse el botón de bloqueo **2** para un funcionamiento continuo y suelte el interruptor de velocidad variable. Esta opción no funciona con la rotación de retroceso.
- Para apagar la herramienta, suelte el interruptor de velocidad variable. Para apagar la herramienta mientras esté activado el funcionamiento continuo, vuelva a pulsar el interruptor de velocidad variable y suéltelo. Sujete siempre la herramienta como se muestra en Figuras D y G.

Selección del sentido de la rotación (Fig. E)

Para perforar y apretar tornillos, utilice la rotación hacia delante (en el sentido de las agujas del reloj). Para aflojar tornillos o extraer una broca atascada, utilice la rotación de retroceso (sentido antihorario).

- Para seleccionar la rotación hacia delante, empuje el control deslizante de avance/retroceso **3** hacia la izquierda.
- Para seleccionar la rotación de retroceso, empuje el control deslizante de avance/retroceso hacia la derecha.

⚠ ¡ADVERTENCIA! *No cambie nunca la dirección de la rotación mientras el motor está en marcha.*

Selección del modo de taladrado (Fig. F)

- Para efectuar taladros de impacto en mampostería y hormigón, ajuste el selector de modo de taladro **4** en la posición **T**.
- Para taladrar en acero, madera y plástico, o para atornillar, ajuste el selector de modo de funcionamiento **4** en la posición **1**.

Accesorios

El funcionamiento de la herramienta dependerá del accesorio que se utilice. Los accesorios de BLACK+DECKER se han fabricado siguiendo estándares de alta calidad y se han diseñado para mejorar el funcionamiento de la herramienta. Con estos accesorios, sacará el máximo provecho a su herramienta.

MANTENIMIENTO

Su aparato o herramienta con o sin cable de BLACK+DECKER ha sido diseñado para funcionar durante un largo período de tiempo con un mantenimiento mínimo. El funcionamiento satisfactorio y continuo depende del buen cuidado de la herramienta y de una limpieza frecuente.

⚠ ¡ADVERTENCIA! Antes de realizar el mantenimiento de herramientas eléctricas con o sin cables:

- Apague y desenchufe el aparato/herramienta.
- O apague y extraiga la batería del aparato/herramienta en caso de que tenga batería independiente.
- O deje que la batería se agote por completo, si es integral, y apague el aparato.
- Desenchufe el cargador antes de limpiarlo. El cargador no requiere ningún mantenimiento especial excepto la limpieza periódica.
- Limpie periódicamente las ranuras de ventilación de la herramienta/aparato/cargador con un cepillo suave o un paño seco.
- Limpie periódicamente la carcasa del motor con un paño húmedo. No utilice limpiadores abrasivos o a base de disolventes.
- Abra regularmente el portabroca y golpéelo suavemente para eliminar los restos de polvo que pudiese contener en su interior (si está colocado).

Protección del medioambiente



Recogida selectiva. Los productos y las baterías marcadas con este símbolo no se deben eliminar con los residuos domésticos normales. Los productos y las baterías que contienen materiales que se puedan recuperar o reciclar reducen la demanda de materias primas. Recicle los productos eléctricos y las baterías de conformidad con la normativa local.

Puede obtener más información en www.2helpU.com.

Datos técnicos

		BEH550 Typo2	BEH710 Typo2
Tensión	V_{CA}	230	230
Potencia nominal	W	550	710
Velocidad en vacío	min^{-1}	0 ~ 2800	0 ~ 2800
Índice de impactos	mín.^{-1}	0 ~ 47600	0 ~ 47600
Peso	kg	1.7	1.76
Capacidad máxima de perforación			
Hormigón	mm	13	13
Acero	mm	13	13
Madera	mm	25	25

BEH550 Nivel de presión acústica conforme a la norma EN 62841:

Presión acústica (L_{pA}) 96,5 dB (A), incertidumbre (K) 5 dB (A)

Potencia acústica (L_{WA}) 104.5 dB (A), incertidumbre (K) 5 dB (A)

BEH710 Nivel de presión acústica conforme a la norma EN 62841:

Presión acústica (L_{pA}) 98,5 dB (A), incertidumbre (K) 5 dB (A)

Potencia acústica (L_{WA}) 106.5 dB (A), incertidumbre (K) 5 dB (A)

BEH550 Valores totales de vibración (suma vectorial triaxial) de acuerdo con la norma EN 62841:

Perforación de impacto en hormigón ($a_{h,w}$) 14,8 m/s^2 , incertidumbre (K) de 1,5 m/s^2

Perforación en metal ($a_{h,m}$) 1,8 m/s^2 , incertidumbre (K) de 1,5 m/s^2

BEH710 Valores totales de vibración (suma vectorial triaxial) de acuerdo con la norma EN 62841:

Perforación de impacto en hormigón ($a_{h,w}$) 16,2 m/s^2 , incertidumbre (K) de 1,5 m/s^2

Perforación en metal ($a_{h,m}$) 1,9 m/s^2 , incertidumbre (K) de 1,5 m/s^2

Declaración de conformidad CE

DIRECTIVA DE MÁQUINAS



Taladro percutor BEH550, BEH710

A Black & Decker declara que os produtos desheitos nos "dados técnicos" estão em conformidade com:

2006/42/EC, EN 62841-1:2015+A11:2022,

EN 62841-2-1:2018+A11:2019+A1:2022+A12:2022

Estes produtos estão também em conformidade com as Directivas 2014/30/UE e 2011/65/UE. Para mais informações, contacte a Black & Decker no endereço indicado em seguida ou consulte o verso do manual.

O abaixo assinado é responsável pela compilação do ficheiro técnico e faz esta declaração em nome da Black & Decker.

Patrick Diepenbach

Patrick Diepenbach
Director General, Benelux
Black & Decker,
Egide Walschaertsstraat 14 - 18
2800 Malinas, Bélgica
02/08/2023

Garantía

Black & Decker confía en la calidad de sus productos y ofrece a los consumidores una garantía de 24 meses a partir de la fecha de compra. Esta garantía es adicional a sus derechos legales y no los menoscaba en modo alguno. La garantía es válida dentro de los territorios de los Estados Miembros de la Unión Europea y del Área de Libre Comercio Europea.

Para reclamar la garantía, la reclamación se debe presentar de conformidad con las condiciones de Black & Decker. Tendrá que adjuntar un justificante de compra al vendedor o al agente técnico autorizado.

Las condiciones de la garantía de 2 años de Black & Decker y la ubicación de su agente técnico autorizado más cercano se pueden obtener en Internet en www.2helpU.com o poniéndose en contacto con su oficina local de Black & Decker en la dirección que se indica en este manual.

Visite nuestro sitio web www.blackanddecker.eu para registrar su nuevo producto Black & Decker y recibir noticias sobre nuevos productos y ofertas especiales.

Utilização Pretendida

O seu berbequim de percussão BLACK+DECKER BEH550, BEH710 foi concebido para perfurar madeira, metal, plástico e alvenaria, e também como aparafusadora. Esta ferramenta destina-se apenas a utilização doméstica.

AVISOS DE SEGURANÇA GERAIS RELATIVOS A FERRAMENTAS ELÉTRICAS

▲ ATENÇÃO: *leia todos os avisos de segurança, instruções, ilustrações e especificações fornecidas com esta ferramenta eléctrica.* O não cumprimento de todas as instruções indicadas abaixo pode resultar em choque eléctrico, incêndio e/ou lesões graves.

GUARDE TODOS OS AVISOS E INSTRUÇÕES PARA CONSULTA POSTERIOR

Em todos os avisos que se seguem, o termo “ferramenta eléctrica” refere-se à sua ferramenta alimentada pela rede eléctrica (com fios) ou por uma bateria (sem fios).

1) Segurança da Área de Trabalho

- Mantenha a área de trabalho limpa e bem iluminada.** As áreas desorganizadas ou escuras são propensas a acidentes.
- Não utilize as ferramentas eléctricas em ambientes explosivos, como, por exemplo, na presença de líquidos, gases ou poeiras inflamáveis.** As ferramentas eléctricas criam faíscas que poderão inflamar estas poeiras ou vapores.
- Mantenha as crianças e outras pessoas afastadas quando utilizar uma ferramenta eléctrica.** As distrações podem levar à perda do controlo da ferramenta.

2) Segurança Eléctrica

- As fichas das ferramentas eléctricas têm de ser compatíveis com a tomada de electricidade. Nunca modifique a ficha de forma alguma. Não utilize fichas adaptadoras com ferramentas eléctricas ligadas à terra.** As fichas não modificadas e as tomadas compatíveis reduzem o risco de choque eléctrico.
- Evite o contacto corporal com superfícies e equipamentos ligados à terra, como, por exemplo, tubagens, radiadores, fogões e frigoríficos.** Se o seu corpo estiver “ligado” à terra, o risco de choque eléctrico é maior.
- Não exponha as ferramentas eléctricas à chuva ou a condições de humidade.** A entrada de água numa ferramenta eléctrica aumenta o risco de choque eléctrico.
- Não aplique força excessiva sobre o cabo. Nunca o utilize para transportar, puxar ou desligar a ferramenta eléctrica.** Mantenha o cabo afastado de fontes de calor, substâncias oleosas, extremidades aguçadas ou peças móveis. Os cabos danificados ou emaranhados aumentam o risco de choque eléctrico.
- Ao utilizar uma ferramenta eléctrica no exterior, use uma extensão adequada para utilização ao ar livre.** A utilização de um cabo adequado para uso ao ar livre reduz o risco de choque eléctrico.
- Se não for possível evitar trabalhar com uma ferramenta eléctrica num local húmido, utilize uma fonte de alimentação protegida por um dispositivo de corrente residual (DCR).** A utilização de um DCR reduz o risco de choque eléctrico.

3) Segurança Pessoal

- Mantenha-se alerta, preste atenção ao que está a fazer e faça uso de bom senso ao utilizar uma ferramenta eléctrica.**

Não utilize uma ferramenta eléctrica quando estiver cansado ou sob o efeito de drogas, álcool ou medicamentos. Um momento de distração durante a utilização de ferramentas eléctricas poderá resultar em ferimentos graves.

- Use equipamento de protecção pessoal. Use sempre uma protecção ocular.** O equipamento de protecção, como, por exemplo, uma máscara contra o pó, sapatos de segurança antiderrapantes, um capacete de segurança ou uma protecção auditiva, usado nas condições apropriadas, reduz o risco de ferimentos.
 - Evite accionamentos acidentais. Certifique-se de que o interruptor da ferramenta está na posição de desligado antes de a ligar à tomada de electricidade e/ou inserir a bateria, ou antes de pegar ou transportar a ferramenta.** Se mantiver o dedo sobre o interruptor ao transportar ferramentas eléctricas ou se as ligar à fonte de alimentação com o interruptor ligado, poderá originar acidentes.
 - Retire qualquer chave de ajuste ou chave de porcas antes de ligar a ferramenta eléctrica.** Uma chave de porcas ou chave de ajuste deixada numa peça móvel da ferramenta poderá resultar em ferimentos.
 - Não se estique demasiado ao trabalhar com a ferramenta. Mantenha sempre os pés bem apoiados e um equilíbrio apropriado.** Desta forma, será mais fácil controlar a ferramenta eléctrica em situações inesperadas.
 - Use vestuário apropriado. Não use roupa larga nem jóias. Mantenha o cabelo e a roupa (incluindo luvas) afastados das peças móveis.** As roupas largas, as jóias ou o cabelo comprido podem ficar presos nestas peças.
 - Se forem fornecidos acessórios para a ligação de equipamentos de extracção e recolha de partículas, certifique-se de que estes são ligados e utilizados correctamente.** A utilização de dispositivos de extracção de partículas pode reduzir os riscos relacionados com as mesmas.
 - Não permita que a familiaridade resultante da utilização frequente de ferramentas lhe permita ser complacente e ignorar os princípios de segurança da ferramenta.** Uma acção descuidada pode causar ferimentos graves numa fracção de segundo.
- #### 4) Utilização e Manutenção de Ferramentas Eléctricas
- Não utilize a ferramenta eléctrica de forma forçada. Utilize a ferramenta eléctrica correcta para o seu trabalho.** A ferramenta eléctrica adequada irá efectuar o trabalho de um modo mais eficiente e seguro se for utilizada de acordo com a capacidade para a qual foi concebida.
 - Não utilize a ferramenta eléctrica se o respectivo interruptor não a ligar e desligar.** Qualquer ferramenta eléctrica que não possa ser controlada através do interruptor de alimentação é perigosa e tem de ser reparada.
 - Retire a ficha da fonte de alimentação e/ou retire a bateria, caso seja possível, da ferramenta eléctrica antes de efectuar quaisquer ajustes, substituir acessórios ou guardar ferramentas eléctricas.** Estas medidas de segurança preventivas reduzem o risco de ligar a ferramenta eléctrica acidentalmente.
 - Guarde as ferramentas eléctricas que não estiverem a ser utilizadas fora do alcance de crianças e não permita que sejam utilizadas por pessoas não familiarizadas com as mesmas ou com estas instruções.** As ferramentas eléctricas são perigosas nas mãos de pessoas que não possuam as qualificações necessárias para as manusear.

e) **Faça a devida manutenção das ferramentas eléctricas. Verifique se as peças móveis da ferramenta eléctrica estão alinhadas e não emperram, bem como se existem peças partidas ou danificadas ou quaisquer outras condições que possam afectar o funcionamento da mesma. Se a ferramenta eléctrica estiver danificada, esta não deve ser utilizada até que seja reparada.** Muitos acidentes têm como principal causa ferramentas eléctricas com uma manutenção insuficiente.

f) **Mantenha as ferramentas de corte sempre afiadas e limpas.** As ferramentas de corte sujeitas a uma manutenção adequada, com arestas de corte afiadas, emperram com menos frequência e controlam-se com maior facilidade.

g) **Utilize a ferramenta eléctrica, os acessórios, as brocas, etc., de acordo com estas instruções, tendo em conta as condições de trabalho e a tarefa a ser efectuada.** A utilização da ferramenta eléctrica para fins diferentes dos previstos poderá resultar em situações perigosas.

h) **Mantenha as pegas e as superfícies de fixação secas, limpos e sem óleo ou massa lubrificante.** Pegas e superfícies de fixação molhadas não permitem o funcionamento e o controlo seguros em situações inesperadas.

5) Assistência

a) **A sua ferramenta eléctrica só deve ser reparada por um técnico qualificado e só devem ser utilizadas peças sobresselentes originais.** Desta forma, é garantida a segurança da ferramenta eléctrica.

Instruções de segurança para todas as operações

- **Use protecção auricular quando efectuar perfurações de impacto.** A exposição ao ruído pode causar perda auditiva.

- **Retirar o(s) punho(s) auxiliar(es).** A perda de controlo pode causar lesões pessoais.

- **Fixe bem a ferramenta antes de utilizá-la.** Esta ferramenta produz um binário de saída elevado. Se não fixar bem a ferramenta durante a operação, pode ocorrer perda de controlo, o que pode causar ferimentos.

- **Segure a ferramenta eléctrica pelas superfícies de pressão isoladas quando executar uma operação em que o acessório de corte possa entrar em contacto com cablagem escondida ou o próprio cabo.** O acessório de corte que entre em contacto com um fio com tensão eléctrica pode fazer com que as peças de metal expostas da ferramenta conduzam electricidade e electrocutem o utilizador.

Instruções de segurança quando utilizar brocas compridas

- **Nunca utilize a ferramenta a uma velocidade mais elevada do que a velocidade nominal máxima da broca.** A velocidades mais elevada, a broca pode ficar dobrada se rodar livremente sem tocar na peça, podendo causar ferimentos.

- **Inicie sempre a perfuração a uma velocidade reduzida e com a ponta da broca em contacto com a peça.** A velocidades mais elevada, a broca pode ficar dobrada se rodar livremente sem tocar na peça, podendo causar ferimentos.

- **Aplique pressão apenas em linha recta com a broca e não aplique pressão excessiva.** As brocas podem ficar dobradas e causar rotura ou perda de controlo, bem como ferimentos.

Regras de segurança adicionais para berbequins/martelos de perfuração

- **Utilize grampos ou outro sistema para fixar e apoiar a peça numa plataforma estável.** Segurar a peça com a mão ou contra o corpo pode causar instabilidade e perda de controlo.

- **Os acessórios e a ferramenta podem ficar quentes durante a operação.** Use luvas quando os utilizar se efectuar aplicações de produção de calor, como perfuração de metais.

- **As saídas de ventilação frequentemente obstruem as peças em movimento e devem ser evitadas.** As roupas largas, jóias ou o cabelo comprido podem ficar presos nestas peças.

- **Use óculos de segurança ou outra protecção ocular.** As operações de batimento com o martelo ou de perfuração podem causar a projecção de aparas. As partículas projectadas podem causar danos oculares permanentes.

- **Use protecção auricular quando efectuar perfurações de impacto.** A exposição ao ruído pode causar perda auditiva.

- **Utilize o(s) punho(s) auxiliar(es), caso tenha(m) sido fornecido(s) com a ferramenta.** A perda de controlo pode causar lesões pessoais.

- **Não utilize esta ferramenta durante longos períodos de tempo.** A vibração causada pela acção do martelo pode ser prejudicial às suas mãos e braços. Use luvas para proporcionar uma protecção adicional e limite a exposição, fazendo pausas frequentes.

Segurança de terceiros

- **Este equipamento pode ser utilizado por crianças com 8 anos de idade ou mais e por pessoas que apresentem capacidades físicas, sensoriais ou mentais reduzidas ou que não possuam os conhecimentos e a experiência necessários, se forem vigiadas e instruídas acerca da utilização do equipamento de uma forma segura e compreenderem os perigos envolvidos.**

- **As crianças não devem mexer no equipamento.** A limpeza e manutenção não devem ser efectuadas por crianças sem supervisão.

Riscos residuais

Podem surgir riscos residuais adicionais durante a utilização da ferramenta, que podem não constar nos avisos de segurança incluídos. Estes riscos podem resultar de má utilização, uso prolongado, etc.

Mesmo com o cumprimento dos regulamentos de segurança relevantes e a implementação de dispositivos de segurança, alguns riscos residuais podem não ser evitados. Estes incluem:

- Ferimentos causados pelo contacto com peças em rotação/movimento.
- Ferimentos causados durante a substituição de peças, lâminas ou acessórios.
- Ferimentos causados pela utilização prolongada de uma ferramenta. Se utilizar uma ferramenta durante períodos prolongados, certifique-se de que faz pausas regularmente.
- Danos auditivos.
- Problemas de saúde causados pela inalação de poeiras resultantes da utilização da ferramenta (exemplo: trabalhos em madeira, especialmente carvalho, faia e MDF).

Vibração

Os valores de emissão de vibração declarados na secção de **dados técnicos** e na **declaração de conformidade** foram medidos de acordo com o método de teste padrão fornecido pela EN EN62841 e podem ser utilizados para comparar ferramentas. O valor da emissão de vibração declarado pode ainda ser utilizado numa avaliação preliminar de exposição.

▲ ATENÇÃO! O valor da emissão de vibração durante a utilização real da ferramenta eléctrica pode ser diferente do valor declarado, dependendo da forma como a ferramenta é utilizada. O nível de vibração pode aumentar acima do nível indicado.

Quando avaliar a exposição da vibração para determinar as medidas de segurança exigidas pela Directiva 2002/44/CE para proteger pessoas que utilizem regularmente ferramentas eléctricas na sua actividade profissional, deve ser considerada uma estimativa de exposição de vibração, as condições reais de utilização e o modo de utilização da ferramenta, incluindo ainda todas as partes do ciclo de funcionamento, como os períodos de inactividade e espera da ferramenta, além do tempo de funcionamento.

Etiquetas colocadas na ferramenta

A ferramenta apresenta os seguintes pictogramas de aviso em conjunto com o código de data:



ATENÇÃO! *para reduzir o risco de ferimentos, o utilizador deve ler o manual de instruções.*

Segurança eléctrica



Esta ferramenta tem isolamento duplo. Por esse motivo, não necessita de ligação à terra. Verifique sempre se a tensão da tomada de electricidade corresponde à tensão indicada na placa com os requisitos de alimentação da ferramenta.

- Se o cabo de alimentação estiver danificado, deve ser substituído pelo fabricante ou por um Centro de Assistência autorizado da BLACK+DECKER para evitar situações de perigo.

Funções (Fig. A)

Esta ferramenta inclui parte ou todas as funções que se seguem.

- 1 Botão de velocidade variável
- 2 Botão de bloqueio
- 3 Interruptor para a frente/para trás
- 4 Selector de modo de perfuração
- 5 Mandril
- 6 Bloqueio do mandril
- 7 Punho lateral

MONTAGEM

▲ ATENÇÃO! *antes da montagem, certifique-se de que a ferramenta está desligada e que não está ligada à corrente eléctrica.*

Encaixar o punho lateral (Fig. B)

- Rode o botão **7C** para a esquerda até conseguir fazer deslizar o punho lateral **7** para a frente da ferramenta, tal como mostrado.
- Rode o punho lateral para a posição pretendida, garantindo que as ranhuras **7A** encaixam na roda **7B**.
- Aperte o punho lateral, rodando o botão **7C** para a direita.

NOTA: o punho lateral pode ser posicionado, dependendo da preferência pessoal.

Montar um acessório (Fig. C)

- Pressione o bloqueio do mandril **6**.
- Abra o mandril **5** rodando a manga no sentido oposto aos ponteiros do relógio.
- Insira o veio de pontas **8** no mandril.
- Aperte o mandril rodando a manga no sentido dos ponteiros do relógio.

UTILIZAÇÃO

▲ ATENÇÃO! *não altere o ritmo de funcionamento da ferramenta. Não sobrecarregue.*

▲ ATENÇÃO! *Antes de perfurar paredes, tectos ou chãos, verifique a localização de cablagem e tubos.*

Ligar e desligar (Fig. D, G)

- Para ligar a ferramenta, pressione o interruptor de velocidade variável **1**. A velocidade da ferramenta depende da intensidade da pressão no botão.
- Para um funcionamento contínuo, pressione o botão de bloqueio **2** e solte o interruptor de velocidade variável. Esta opção não funciona na rotação para trás.
- Para desligar a ferramenta, liberte o botão de velocidade variável. Para desligar a ferramenta quando estiver a executar uma operação contínua, prima o botão de velocidade variável mais uma vez e solte-o. Segure sempre a ferramenta conforme indicado na Figuras D e G.

Seleção do sentido de rotação (Fig. E)

Para perfuração e para apertar parafusos, utilize a rotação para a frente (no sentido dos ponteiros do relógio). Para desaparafusar ou remover uma broca encravada, utilize a rotação para trás (no sentido contrário ao dos ponteiros do relógio).

- Para seleccionar a rotação para a frente, empurre a patilha para a frente/para trás **3** para a esquerda.
- Para seleccionar a rotação para trás, pressione a patilha para a frente/para trás para a direita.

▲ ATENÇÃO! *nunca altere a direcção de rotação enquanto o motor estiver a funcionar.*

Seleccionar o modo de perfuração (Fig. F)

- Para perfuração de impacto em alvenaria e betão, coloque o selector de modo de perfuração **4** na posição **T**.
- Para perfurar aço, madeira e plástico, ou para apertar parafusos, coloque o selector do modo de funcionamento **4** na posição **1**.

Acessórios

O desempenho da ferramenta depende dos acessórios utilizados. Os acessórios BLACK+DECKER são concebidos segundo normas de elevada qualidade e desenvolvidos de modo a melhorar o desempenho da sua ferramenta. A utilização destes acessórios permite tirar o máximo proveito da ferramenta.

Manutenção

O seu equipamento/ferramenta com/sem fios BLACK+DECKER foi concebido para funcionar durante muito tempo, com um mínimo de manutenção. Uma utilização continuamente satisfatória depende de uma manutenção adequada da ferramenta e de uma limpeza frequente.

▲ ATENÇÃO! *Antes de proceder a qualquer acção de manutenção em ferramentas eléctricas com cabo/sem fios:*

- Desligue o equipamento/ferramenta e retire a respectiva ficha da tomada.
- Pode também desligar e retirar a bateria do equipamento/ferramenta caso o equipamento/ferramenta tenha uma bateria individual.
- Ou deixe a bateria descarregar por completo se estiver incorporada e, em seguida, desligue-a.
- Desligue o carregador antes de limpá-lo. O carregador não necessita de manutenção para além da limpeza frequente.
- Limpe regularmente as ranhuras de ventilação do equipamento/ferramenta/carregador com uma escova macia ou um pano seco.

- Limpe regularmente o compartimento do motor com um pano húmido. Não utilize produtos de limpeza abrasivos ou à base de dissolventes.
- Abra o mandril regularmente e bata no mesmo para remover qualquer vestígio de pó do interior (se estiver instalado).

Proteção do ambiente



Faça uma recolha de lixo selectiva. Os produtos e as baterias assinalados com este símbolo não devem ser eliminados em conjunto com o lixo doméstico normal.

Os produtos e as baterias contêm materiais que podem ser recuperados ou reciclados, reduzindo assim a necessidade de matérias-primas.

Recicle os produtos eléctricos e as baterias de acordo com as disposições locais.

Estão disponíveis mais informações em www.2helpU.com.

Dados técnicos

		BEH550 Tipo2	BEH710 Tipo2
Tensão	V_{CA}	230	230
Alimentação	W	550	710
Velocidade sem carga	min^{-1}	0 ~ 2800	0 ~ 2800
Níveis de percussão	min^{-1}	0 ~ 47600	0 ~ 47600
Peso	kg	1,7	1,76
Capacidade máx. de perfuração			
Betão	mm	13	13
Aço	mm	13	13
Madeira	mm	25	25

BEH550 Nível de pressão acústica, de acordo com a norma EN 62841:

Pressão acústica (L_{pA}) 96,5 dB(A), variabilidade (K) 5 dB(A)

Potência acústica (L_{WA}) 104,5 dB(A), variabilidade (K) 5 dB(A)

BEH710 Nível de pressão acústica, de acordo com a norma EN 62841:

Pressão acústica (L_{pA}) 98,5 dB(A), variabilidade (K) 5 dB(A)

Potência acústica (L_{WA}) 106,5 dB(A), variabilidade (K) 5 dB(A)

BEH550 Valores totais de vibração (soma de vector triax) de acordo com a norma EN 62841:

Perfuração de betão com percussão ($a_{h,v}$) 14,8 m/s^2 , variabilidade (K) 1,5 m/s^2

Perfurar em metal ($a_{h,v}$) 1,8 m/s^2 , variabilidade (K) 1,5 m/s^2

BEH710 Valores totais de vibração (soma de vetores triax) de acordo com EN 62841:

Perfuração de betão com percussão ($a_{h,v}$) 16,2 m/s^2 , variabilidade (K) 1,5 m/s^2

Perfurar em metal ($a_{h,v}$) 1,9 m/s^2 , variabilidade (K) 1,5 m/s^2

Declaração de conformidade CE

DIRECTIVA "MÁQUINAS"



BEH550, BEH710 Berbequim de percussão

A Black & Decker declara que os produtos descritos nos A Black & Decker declara que os produtos descritos nos "dados técnicos" estão em conformidade com:

2006/42/EC, EN 62841-1:2015+A11:2022,

EN 62841-2:1:2018+A11:2019+A1:2022+A12:2022

Estes produtos estão também em conformidade com as Directivas 2014/30/UE e 2011/65/UE. Para mais informações, contacte a Black & Decker no endereço indicado em seguida ou consulte o verso do manual.

O abaixo assinado é responsável pela compilação do ficheiro técnico e faz esta declaração em nome da Black & Decker.

Patrick Diepenbach

Patrick Diepenbach

Director General, Benelux

Black & Decker,

Egide Walschaertsstraat 14 - 18

2800 Malinas, Bélgica

02/08/2023

Garantia

A Black & Decker confia na qualidade dos seus produtos e oferece aos clientes uma garantia de 24 meses a partir da data de compra. Esta garantia é um complemento dos seus direitos estabelecidos por lei, não os prejudicando de forma alguma. A garantia é válida nos territórios dos Estados-membros da União Europeia, da Zona Europeia de Comércio Livre e no Reino Unido.

Para accionar a garantia, esta deve estar em conformidade com os termos e condições da Black & Decker e tem de apresentar comprovativos de compra ao vendedor ou a um técnico de reparação autorizado.

Os termos e condições da garantia de 2 anos da Black & Decker e a localização do técnico de reparação autorizado mais próximo podem ser obtidos na Internet em www.2helpU.com ou contactando uma filial da Black & Decker, cuja morada está indicada neste manual.

Visite o nosso Website www.blackanddecker.eu para registar o seu novo produto da Black & Decker e receber actualizações sobre novos produtos e ofertas especiais.

Avsedd Användning

Den BLACK+DECKER BEH 550, BEH710 slagbormaskin är avsedd för borrar i trä, metall, plast och murverk, samt för skruvdragnin. Detta verktyg är endast avsett för konsumentbruk.

SÄKERHETSVARNINGAR, ALLMÄNT ELVERKTYG

▲ VARNING: Läs alla säkerhetsvarningar, instruktioner, illustrationer och specifikationer som levereras med detta elverktyg. Underlåtenhet att läsa alla instruktioner som listas här nedan kan resultera i elektrisk stöt, eldsvåda och/eller allvarlig personskada.

SPARA ALLA VARNINGAR OCH INSTRUKTIONER FÖR FRAMTIDA REFERENS

Termen "elverktyg" i varningarna syftar på ditt starkströmsdrivna (sladdanslutna) elverktyg eller batteridrivna (sladdlösa) elverktyg.

1) Säkerhet på Arbetsområdet

- Håll arbetsområdet rent och ordentligt upplyst.** Belamrade eller mörka områden inbjuder till olyckor.
- Använd inte elektriska verktyg i explosiva atmosfärer, såsom i närvaron av lättantändliga vätskor, gaser eller damm.** Elektriska verktyg ge upphov till gnistor som kan antända dammet eller ångorna.
- Håll barn och åskådare borta meda du arbetar med ett elverktyg.** Distractioner kan göra att du förlorar kontrollen.

2) Elektrisk Säkerhet

- Kontaktarna till elverktyget måste matcha uttaget. Modifiera aldrig kontakten på något sätt. Använd inte några adapterpluggar med jordanslutna (jordade) elektriska verktyg.** Omodifierade kontakter och matchande uttag minskar risken för elektrisk stöt.
- Undvik kroppskontakt med jordanslutna eller jordade ytor såsom rör, värmeelement, spisar och kylskåp.** Det finns en ökad risk för elektrisk chock om din kropp är jordanslutnen eller jordad.
- Utsätt inte elektriska verktyg för regn eller våta förhållanden.** Vatten som kommer in i ett elverktyg ökar risken för elektrisk stöt.
- Missbruka inte sladden. Använd aldrig sladden till att bära, dra eller koppla bort elverktyget från strömmen. Håll sladden borta från värme, olja, skarpa kanter eller rörliga delar.** Skadade eller tilltrasslade sladdar ökar risken för elektrisk stöt.
- När du arbetar med ett elverktyg utomhus, använd en förlängningssladd som passar för utomhusanvändning.** Användning av en sladd som passar för utomhusanvändning minskar risken för elektrisk stöt.
- Om arbete med ett elverktyg i en fuktig lokal är oundvikligt, använd ett uttag som är skyddat med jordfelsbrytare (RCD).** Användning av en RCD minskar risken för elektrisk stöt.

3) Personlig Säkerhet

- Var vaksam, ha koll på vad du gör och använd sunt förnuft när du arbetar med ett elverktyg. Använd inte ett elverktyg när du är trött eller påverkad av droger, alkohol eller medicinering.** Ett ögonblicks ouppmärksamhet när du arbetar med elektriska verktyg kan resultera i allvarlig personskada.
- Använd personlig skyddsutrustning. Bär alltid ögonskydd.** Skyddsutrustning såsom dammfilterskydd, hals säkra

säkerhetsskor, skyddshjälm eller hörselskydd som används för lämpliga förhållanden minskar personskador.

- Förebyg oavsiktlig igångsättning. Se till att strömbrytaren är i frånläge innan du ansluter till strömkällan och/eller batteripaketet, plockar upp eller bär verktyget.** Att bära elektriska verktyg med ditt finger på strömbrytaren eller att strömsätta elektriska verktyg som har strömbrytaren på är att invitera olyckor.
 - Avlägsna eventuell justeringsnyckel eller skiftnyckel innan du sätter på elverktyget.** En skiftnyckel eller en nyckel som sitter kvar på en roterande del av elverktyget kan resultera i personskada.
 - Böj dig inte för långt. Bibehåll alltid ordentligt fotfäste och balans.** Detta möjliggör bättre kontroll av elverktyget i oväntade situationer.
 - Klä dig ändamålsenligt. Bär inte lösa kläder eller smycken. Håll hår, beklädnad och handskar borta från delar i rörelse.** Lösa kläder, smycken eller långt hår kan fastna i delar i rörelse.
 - Om det finns anordningar för anslutning av apparater för dammutrensning och insamling, se till att dessa är anslutna och används på ett korrekt sätt.** Användning av dammuppsamling kan minska damm-relaterade faror.
 - Bli inte värdslös och ignorera inte säkerhetsprinciperna trots att du är van att använda verktyg.** Vårdslost handlande kan leda till allvarlig kroppsskada på en bråkdel av en sekund.
- #### 4) Användning och Skötsel av Elverktyg
- Tvinga inte elverktyget. Använd det korrekta elverktyget för din tillämpning.** Det korrekta elverktyget gör arbetet bättre och säkrare vid den hastighet för vilket det konstruerades.
 - Använd inte elverktyget om strömbrytaren inte sätter på och stänger av det.** Ett elverktyg som inte kan kontrolleras med strömbrytaren är farligt och måste repareras.
 - Dra ur kontakten från strömkällan och/eller batteripaketet, om det är löstgäbart, från elverktyget innan du gör några justeringar, byter tillbehör eller lägger elverktygen i förvaring.** Sådana förebyggande säkerhetsåtgärder minskar risken att oavsiktligt starta elverktyget.
 - Förvara elektriska verktyg som inte används utom räckhåll för barn, och låt inte personer som är obekanta med elverktyget eller med dessa instruktioner använda elverktyget.** Elektriska verktyg är farliga i händerna på utbildade användare.
 - Underhåll elektriska verktyg. Kontrollera för feljustering eller om rörliga delar har fastnat, bristning hos delar och andra eventuella förhållanden som kan komma att påverka elverktygets funktion. Om det är skadat, se till att elverktyget blir reparerat före användning.** Många olyckor orsakas av dåligt underhållna elektriska verktyg.
 - Håll kapningsverktyg vassa och rena.** Ordentligt underhållna kapningsverktyg med vassa sågkanter är mindre sannolika att fastna och är lättare att kontrollera.
 - Använd elverktyget, tillbehören och verktygsatserna, etc. i enlighet med dessa instruktioner, och ta hänsyn till arbetsförhållandena och det arbete som ska utföras.** Användningen av elverktyget för andra verksamheter än de som det är avsett för skulle kunna resultera i en farlig situation.
 - Se till att handtagen och greppytorna är torra och fria från olja och fett.** Hala handtag och greppytor förhindrar säker hantering och kontroll av verktyget i oväntade situationer.

5) Service

a) **Se till att ditt elverktyg får service av en kvalificerad reparatör, som endast använder identiska ersättningsdelar.** Detta säkerställer att elverktygets säkerhet bibehålles.

Säkerhetsinstruktioner för all verksamhet

- **Använd hörselskydd vid slagborrning.** Att utsättas för buller kan leda till hörselskador.
- **Använd extrahandtaget.** Tappad kontroll kan orsaka personskador.
- **Spänn verktyget ordentligt före användning.** Detta verktyg avger ett högt utgångsmoment och om inte verktyget stängs ordentligt under drift kan förlust av kontroll uppstå vilket kan leda till personskador.
- **Håll verktyget i de isolerade greppytorna vid arbete där sågstillbehöret riskerar att komma i kontakt med dolda elledningar eller med sin egen nätsladd.** Kaptillbehör som kommer i kontakt med en strömförande ledning kan göra att exponerade metalldelar hos elverktyget blir strömförande och kan ge användaren en elektrisk stöt.

Säkerhetsinstruktioner när du använder långa borrar

- **Kör aldrig med högre hastighet än borrarbitens maximala hastighet.** Vid högre hastigheter kommer bitsen troligen att böjas om den får rotera fritt utan att komma i kontakt med arbetsstycket, vilket kan resultera i personskada.
- **Börja alltid borra med låg hastighet och med bitspetsen i kontakt med arbetsstycket.** Vid högre hastigheter kommer bitsen troligen att böjas om den får rotera fritt utan att komma i kontakt med arbetsstycket, vilket kan resultera i personskada.
- **Tryck endast i direkt linje med bitsen och applicera inte för högt tryck.** Bits kan böjas och orsaka brott eller förlust av kontroll, vilket kan leda till personskada.

Ytterligare säkerhetsanvisningar för bormaskiner/skruvdragare/slagbormaskiner

- Använd klämmor eller något annat praktiskt sätt att säkra och stödjå arbetsstycket vid ett stabilt underlag. Att hålla arbetsstycket för hand eller mot kroppen är instabilt och kan göra att du förlorar kontrollen.
- Tillbehör och verktyg kan bli heta under arbetet. Använd handskar vid hantering om arbete görs som producerar hetta såsom borring i metall.
- Luftventiler täcker ofta rörliga delar och bör undvikas. Löst sittande kläder, smycken eller långt hår kan fastna i rörliga delar.
- Använd skyddsglasögon eller annat ögonskydd. Slagborrning och borrarbete kan göra att flisor flyger omkring. Flygande partiklar kan orsaka permanenta ögonskador.
- Använd hörselskydd vid slagborrning. Att utsättas för buller kan leda till hörselskador.
- Använd hjälphandtag om de medföljer verktyget. Tappad kontroll kan orsaka personskador.
- Arbeta inte med verktyget under långa perioder. Vibrationer som orsakas av slagverktygets arbete kan vara skadligt för dina händer och armar. Använd handskar för att få extra stötdämpning och begränsa exponeringen genom att ta regelbundna pauser.

Säkerhet för andra

- Denna apparat kan användas av barn från 8 år och personer med nedsatt fysisk eller psykisk förmåga eller bristande erfarenhet eller kunskap, om de övervakas eller får instruktioner om hur apparaten används på ett säkert sätt och är medvetna om riskerna.

- Barn ska inte leka med apparaten. Rengöring och användarunderhåll ska inte utföras av barn utan övervakning.

Återstående risker

- Ytterligare risker som inte finns med i de bifogade säkerhetsanvisningarna kan uppstå när verktyget används. Dessa risker kan uppstå vid felaktig eller långvarig användning, etc. Även om alla relevanta säkerhetsanvisningar följs och säkerhetsanordningar används kan vissa ytterligare risker inte undvikas. Dessa omfattar:
- Skador orsakade av att roterande/rörliga delar vidrörs.
 - Skador som uppstår vid byte av delar, blad eller tillbehör.
 - Skador som orsakas av långvarig användning av ett verktyg. Se till att regelbundet ta vilopausar när du använder ett verktyg under en längre period.
 - Hörselhedsättning.
 - Hälsorisker till följd av inandning av damm när redskapet används (exempel: arbete med trämaterial, särskilt ek, bok och MDF).

Vibrationer

De vibrationsvärden som anges i avsnitten **tekniska data** och **deklarationen om överensstämmelse** har uppmätts i enlighet med en standardtestmetod föreskriven i EN62841 och kan användas för jämförelse med andra verktyg. Det angivna vibrationsvärdet kan även användas för en preliminär bedömning av exponeringen.

▲ WARNING! Vibrationsvärdet under faktisk användning av elverktyget kan skilja sig från det uppgivna värdet beroende på hur verktyget används. Vibrationsnivån kan överstiga den uppgivna nivån.

Vid uppskattningar av exponering för vibrationer i syfte att bedöma vilka säkerhetsåtgärder som är nödvändiga enligt 2002/44/EG för att skydda personer som regelbundet använder elverktyg i arbetet ska man utgå från de faktiska omständigheter under vilka elverktyget används och sättet på vilket det används. Bedömningen ska även ta hänsyn till alla moment i arbetscykeln, t.ex. när verktyget är avstängt och när det går på tomgång såväl som när det faktiskt används.

Etiketter på verktyget

Följande varningssymboler finns på verktyget, tillsammans med datumkoden:



WARNING! Läs bruksanvisningen före användning för att minska risken för personskador.

Elsäkerhet



Eftersom verktyget är dubbelisolerat behövs ingen jordledare. Kontrollera alltid så att spänningen på nätet motsvarar den spänning som finns angiven på märkplåten.

- Om nätsladden är skadad så måste den bytas ut av tillverkaren eller ett auktoriserat BLACK+DECKER servicecenter för att undvika risker.

Funktioner (Bild [Fig.] A)

Detta verktyg inkluderar vissa eller alla av följande funktioner.

- 1 Variabel hastighetskontroll
- 2 Lås på knapp
- 3 Framåt-/bakåtrömbrytare

- 4 Borrlägesväljare
- 5 Chuck
- 6 Chucklås
- 7 Sidohandtag

MONTERING

▲ WARNING! Se till att verktyget är avstängt och att det inte är anslutet innan monteringen börjar.

Montering av sidohandtaget (Bild B)

- Vrid vredet **7C** moturs tills du kan skjuta sidohandtaget **7** på verktygets framsida såsom visas.
- Vrid sidohandtaget till önskad position, se till att spåren **7A** aktiveras i kedjehjulet **7B**.
- Dra åt sidohandtaget genom att vrida vredet **7C** medurs.

OBS: sidohandtaget kan placeras beroende på personliga preferenser.

Montera tillbehör (Bild C)

- Tryck på chucklåset **6**.
- Öppna chucken **5** genom att vrida hylsan moturs.
- Sätt bitens skaft **8** i chucken.
- Dra åt chucken genom att vrida hylsan medurs.

ANVÄNDNING

▲ WARNING! Låt verktyget arbeta i sin egen takt. Överbelasta inte.

▲ WARNING! Innan du borrar i väggar, golv eller tak ska du kontrollera var rör eller elledningar finns.

Start och stopp (Bild D, G)

- Slå på verktyget genom att trycka in strömbrytaren för variabel hastighet **1**. Verktygets hastighet beror på hur långt du trycker in strömbrytaren.
- Tryck in låsknappen **2** och släpp strömbrytaren för variabel hastighet om du vill ha kontinuerlig drift. Det här fungerar inte vid rotation bakåt.
- Stäng av verktyget genom att släppa strömbrytaren för variabel hastighet. Under kontinuerlig drift stänger du av verktyget genom att trycka in och släppa strömbrytaren för variabel hastighet en gång till. Håll alltid verktyget som visas i Bild D och G.

Välja rotationsriktning (Bild E)

När du borrar och drar åt skruvar använder du rotation framåt (medurs). För att lossa skruvar eller avlägsna en borr som har fastnat använder du rotation bakåt (moturs).

- Du väljer framåtgående rörelse genom att trycka framåt-/bakåtreglaget **3** åt vänster.
- Du väljer bakåtgående rörelse genom att trycka framåt-/bakåtreglaget åt höger.

▲ WARNING! Ändra aldrig rörelsens riktning medan motorn är igång.

Välja borrhingsläge (Bild F)

- För slagborrning i murverk och betong ställer du borrlägesväljaren **4** i **T**-läget.
- För borring i stål, trä och plast ställer du borrlägesväljaren **4** i **1**-läget.

Tillbehör

Verktygets prestanda beror på vilka tillbehör du använder. Tillbehör från BLACK+DECKER håller hög kvalitet och är konstruerade för att fungera optimalt med verktyget. Genom att använda dessa tillbehör får du ut mesta möjliga av verktyget.

UNDERHÅLL

Din kabelanslutna/sladdlösa BLACK+DECKER-apparat/verktyg är konstruerad för att fungera en lång tid med minsta möjliga underhåll. Kontinuerlig tillfredsställande drift är beroende av ordentlig verktygsvård och regelbunden rengöring.

▲ WARNING! Innan något underhåll utförs på sladdanslutna/sladdlösa elverktyg:

- Stäng av apparaten/verktyget och dra ur nätkontakten.
- Du kan också ta ut batteriet ur redskapet/verktyget om det har ett separat batteri.
- Om batteriet är inbyggt låter du det laddas ur helt innan avstängningen.
- Dra ur sladden till laddaren innan du rengör den. Laddaren behöver inget annat underhåll än regelbunden rengöring.
- Rengör regelbundet redskapets/verktygets/laddarens luftintag med en mjuk borste eller torr trasa.
- Rengör motorkåpan regelbundet med en fuktig trasa. Använd aldrig något slipande eller lösningsmedelsbaserat rengöringsmedel.
- Öppna chucken (där sådan finns) med jämna mellanrum och knocka på den för att avlägsna damm som sitter på insidan.

Skydda miljön



Separat insamling. Produkter och batterier som är markerade med denna symbol får inte kastas i de vanliga hushållsoporna. Produkter och batterier innehåller material som kan återanvändas eller återvinnas för att minska behovet av råmaterial.

Återvinn elektriska produkter och batterier enligt lokala föreskrifter.

Närmare information finns tillgänglig på www.2helpU.com.

Tekniska data

		BEH550 Typ2	BEH710 Typ2
Spänning	V _K	230	230
Ineffekt	W	550	710
Obelastat varvtal	min ⁻¹	0 - 2800	0 - 2800
Slaghastighet	min ⁻¹	0 - 47600	0 - 47600
Vikt	kg	1,7	1,76
Maximal borkkapacitet			
Betong	mm	13	13
Stål	mm	13	13
Trä	mm	25	25

BEH550 Ljudtrycksnivå enligt EN 62841:

Ljudtryck (L_{pa}) 96,5 dB(A), osäkerhet (K) 5 dB(A)

Ljudeffekt (L_{wa}) 104,5 dB(A), osäkerhet (K) 5 dB(A)

BEH710 Ljudnivå enligt EN 62841:

Ljudtryck (L_{pa}) 98,5 dB(A), osäkerhet (K) 5 dB(A)

Ljudeffekt (L_{wa}) 106,5 dB(A), osäkerhet (K) 5 dB(A)

BEH550 Totala vibrationsvärden (vektorsumman av tre axlar) enligt EN 62841:

Slagborrning i betong ($a_{h,v}$) 14,8 m/s², osäkerhet (K) 1,5 m/s²
 Metallborrning ($a_{h,v}$) 1,8 m/s², osäkerhet (K) 1,5 m/s²

BEH710 Totala vibrationsvärden (vektorsumman av tre axlar) enligt EN 62841:

Slagborrning i betong ($a_{h,v}$) 16,2 m/s², osäkerhet (K) 1,5 m/s²
 Metallborrning ($a_{h,v}$) 1,9 m/s², osäkerhet (K) 1,5 m/s²

EG-försäkran om överensstämmelse

MASKINDIREKTIVET



BEH550, BEH710 slagborrmaskin

Black & Decker deklarerar att dessa produkter, beskrivna under "tekniska data" uppfyller:

2006/42/EC, EN 62841-1:2015+A11:2022,
 EN 62841-2-1:2018+A11:2019+A1:2022+A12:2022

De här produkterna överensstämmer även med direktiven 2014/30/EU och 2011/65/EU. För ytterligare information, kontakta Black & Decker på följande adress eller se baksidan av bruksanvisningen.

Undertecknad är ansvarig för sammanställning av den tekniska filen och gör denna förklaring på Black & Deckers vägnar.

Patrick Diepenbach

Patrick Diepenbach
 General Manager, Benelux
 Black and Decker,
 Egide Walschaertsstraat 14-18
 2800 Mechelen, Belgien
 02/08/2023

Garanti

Black & Decker är säker på kvaliteten hos denna produkt och erbjuder kunder 24 månaders garanti från inköpsdatumet. Denna garanti är ett tillägg till dina lagstadgade rättigheter och påverkar inte dessa på något sätt. Garantin är giltig i områden som tillhör medlemsstaterna i Europeiska unionen och det europeiska frihandelsområdet och i Storbritannien.

För yrkande under garantin måste yrkandet vara in enlighet med Black & Deckers villkor och du kommer att behöva skicka in bevis på köpet till försäljaren eller en auktoriserad reparatör.

Villkoren för Black & Deckers tvååriga garanti och var du hittar din närmaste auktoriserade reparatör kan erhållas på internet på **www.2helpU.com**, eller genom att kontakta ditt lokala Black & Deckers kontor på adressen som anges i denna bruksanvisning.

Besök vår webbplats på **www.blackanddecker.eu** för att registrera din nya Black & Decker produkt och få ny information om nya produkter och specialerbjudanden.

Tiltenkt Bruk

Slagdrillene av typene BLACK+DECKER BEH550, BEH710, er designet for boring i tre, metall, plast og mur og for bruk som skrutrekker. Dette verktøyet er bare ment som et forbrukerverktøy.

GENERELLE SIKKERHETSADVARSLER FOR ELEKTRISKE VERKTØY

▲ ADVARSEL: Les alle sikkerhetsanvisninger, instruksjoner, illustrasjoner og spesifikasjoner som følger dette elektriske verktøyet. Manglende overholdelse av instruksjonene som er listet opp under kan resultere i elektrosjokk, ild og/eller alvorlig skade.

TA VARE PÅ ALLE ADVARSLER OG INSTRUKSJONER FOR FREMTIDIG BRUK

Uttrykket "elektrisk verktøy" i advarelsene henviser til ditt strøm-drevne (med ledning) elektriske verktøy eller ditt batteridrevne (uten ledning) elektriske verktøy.

1) Sikkerhet på arbeidsområdet

- Hold arbeidsområdet godt opplyst.** Rotete eller mørke områder er en invitasjon til ulykker.
- Ikke bruk elektriske verktøy i eksplosive omgivelser, slik som i nærheten av antennelige væsker, gasser eller støv.** Elektrisk verktøy skaper gnister som kan antenne støv eller gasser.
- Hold barn og tilskuere borte mens du bruker et elektrisk verktøy.** Distraksjoner kan føre til at du mister kontrollen.

2) Elektrisk sikkerhet

- Støpselet til elektriske verktøy må passe til stikkkontakten. Aldri modifier støpselet på noen måte. Ikke bruk adaptere med jordede elektriske verktøy.** Umodifiserte støpsler og stikkontakter som passer vil redusere risikoen for elektrisk sjokk.
- Unngå kroppskontakt med jordete overflater slik som rør, radiatorer, komfyrer og kjøleskap.** Det finnes en økt risiko for elektrisk sjokk dersom kroppen din er jordet.
- Ikke eksponer elektriske verktøy for regn eller våte forhold.** Dersom det kommer vann inn i et elektrisk verktøy vil det øke risikoen for elektrisk sjokk.
- Ikke bruk ledningen feil. Aldri bruk ledningen til å bære, trekke eller dra ut støpselet til det elektriske verktøyet. Hold ledningen borte fra varme, olje, skarpe kanter eller bevegelige deler.** Skadede eller innviklede ledninger øker risikoen for elektrisk sjokk.
- Når du bruker et elektrisk verktøy utendørs, bruk en skjøteledning som er egnet for utendørs bruk.** Bruk av en skjøteledning beregnet for utendørs bruk reduserer risikoen for elektrisk sjokk.
- Dersom bruk av et elektrisk verktøy på et fuktig sted er uunnødvendig, bruk en strømkilde med jordfeilbryter (RCD).** Bruk av jordfeilbryter (RCD) reduserer risikoen for elektrisk sjokk.

3) Personlig sikkerhet

- Hold deg våken, hold øye med det du gjør og bruk sunn fornuft når du bruker et elektrisk verktøy. Ikke bruk et elektrisk verktøy dersom du er trøtt eller er påvirket av medikamenter, narkotika eller alkohol.** Ett øyeblikks uoppmerksomhet under bruk av elektriske verktøy kan føre til alvorlig personskade.
- Bruk personlig verneutstyr. Bruk alltid vernebriller.** Verneutstyr slik som støvmaske, sklisikre vernesko,

hjelmer, eller hørselsvern brukt under passende forhold vil redusere personskader.

- Unngå utilsikket oppstart. Sikre at bryteren er i av-stillingen før du kobler til strømkilden og/eller batteripakken, plukker opp eller bærer verktøyet.** Å bære elektriske verktøy med fingeren på bryteren eller å sette inn støpselet mens elektriske verktøy har bryteren på øker faren for ulykker.
- Fjern eventuelle justeringsnøkler før du slår på det elektriske verktøyet.** En nøkkel som er festet til en roterende del av det elektriske verktøyet kan føre til personskade.
- Ikke strekk deg for langt. Ha godt fotfeste og stå støtt hele tiden.** Dette fører til at du har bedre kontroll over det elektriske verktøyet ved uventede situasjoner.
- Bruk egnet antrekk. Ikke ha på deg løstsittende klær eller smykker. Hold hår, antrekk og hansker borte fra bevegelige deler.** Løstsittende antrekk, smykker eller langt hår kan bli fanget opp av bevegelige deler.
- Hvis apparatet er utstyrt for tilkobling av støvutsugings- og oppsamlingsinnretning, må du sørge for at disse er koblet til og ordentlig sikret.** Bruk av støvoppsamlere kan redusere støvrelaterte farer.
- Ikke la kunnskap som du har fått fra hyppig bruk av verktøya la deg bli for selvsikker slik at du ignorerer verktøyets sikkerhetsprinsipper.** En tankeløs handling kan føre til alvorlig personskade på brøkdelen av et sekund.

4) Bruk og vedlikehold av elektriske verktøy

- Ikke bruk kraft på verktøyet. Bruk det elektriske verktøyet med situasjonen krever.** Det riktige elektriske verktøyet vil gjøre jobben bedre og tryggere ved den hastigheten det ble konstruert for.
- Ikke bruk verktøyet hvis bryteren ikke kan slå verktøyet av eller på.** Ethvert elektrisk verktøy som ikke kan kontrolleres med bryteren er farlig og må repareres.
- Koble støpselet fra strømkilden og/eller ta batteripakken av det elektriske verktøyet, hvis den er avtakbar, før du foretar noen justeringer, endrer tilbehør eller lagrer elektriske verktøy.** Slike preventive sikkerhetsforanstaltninger reduserer risikoen for å starte det elektriske verktøyet ved et uhell.
- Lagre elektriske verktøy som ikke er i bruk, utilgjengelig for barn og la ikke personer som ikke er kjent med det elektriske verktøyet eller disse instruksjonene bruke det.** Elektriske verktøy er farlige i hendene på utrenede brukere.
- Vedlikehold elektriske verktøy. Kontroller om bevegelige deler er feiljustert eller fastskjært, om deler er ødelagt eller andre forhold som kan påvirke driften av verktøyet. Dersom det er skadet, få verktøyet reparert før neste bruk.** Mange ulykker forårsakes av dårlig vedlikeholdte verktøy.
- Hold skjæreverktøy skarpe og rene.** Godt vedlikeholdte skjæreverktøy med skarpe skjærekanter setter seg mindre sannsynlig fast og er lettere å kontrollere.
- Bruk verktøyet, tilbehørene og bittene, osv., i samsvar med disse instruksjonene og ta i betraktning arbeidsforholdene og det arbeidet som skal utføres.** Bruk av det elektriske verktøyet for oppgaver som er forskjellige fra de som er tiltenkt kan føre til en farlig situasjon.
- Hold håndtakene og gripeflatene tørre, rene og frie for olje og fett.** Glatte håndtak og gripeområder gir utrygg håndtering og manglende kontroll over verktøyet i uventede situasjoner.

5) Vedlikehold

a) **Få det elektriske verktøyet ditt vedlikeholdt av en kvalifisert reparatør som kun bruker originale reservedeler.** Dette vil sikre at verktøyet sikkerhet blir ivaretatt.

Sikkerhetsinstruksjoner for all bruk

- **Bruk hørselsvern ved slagboring.** Å bli utsatt for støy kan forårsake hørselstap.
- **Bruk hjelpehåndtaket.** Å miste kontroll kan forårsake personskade.
- **Hold verktøyet ordentlig fast før bruk.** Dette verktøyet produserer et høyt kraftmoment, og hvis du ikke fester det ordentlig, kan du miste kontroll over verktøyet og under bruk, som kan føre til personskade.
- **Elektroverktøyet bare i de isolerte grepene når du utfører et arbeid hvor skjæretilbehøret kan komme i kontakt med skjulte ledninger eller sin egen kabel.** Hvis skjæretilbehøret kommer i kontakt med en strømførende ledning, kan frittliggende metalldele på verktøyet bli strømførende, og brukeren kan få elektrisk støt.

Sikkerhetsinstruksjoner ved bruk av lange bore

- **Bruk aldri ved høyere hastigheter enn maks hastighet for boret.** Ved høyere hastigheter er det en sjanse for at boret bøyer seg hvis den roterer fritt uten kontakt med arbeidsstykket.
- **Start alltid å bore ved lav hastighet, og med enden av boret i kontakt med arbeidsstykket.** Ved høyere hastigheter er det en sjanse for at boret bøyer seg hvis den roterer fritt uten kontakt med arbeidsstykket.
- **Påfør kun trykk i en rett linje med boret, og trykk ikke for hardt.** Boret kan bli bøyd eller ødelagt, eller det kan føre til tap av kontroll eller personskade.

Ekstra sikkerhetsregler spesielt for boremaskin/trekker/slagboremaskin

- **Bruk tvinger eller annen praktisk måte å sikre og holde arbeidsstykket på et stabilt underlag.** Å holde arbeidsstykket i hendene eller mot kroppen er ustabil og kan føre til at du mister kontroll.
- **Tilbehør og verktøy kan bli varme under bruk.** Bruk hansker ved håndtering dersom det utføres arbeid som generere varme, som boring i metall.
- **Lufteshull dekker ofte bevegelige deler og skal unngås.** Løst sittende klær, smykker og langt hår kan bli fanget opp av bevegelige deler.
- **Bruk vernebriller eller annen øyebeskyttelse.** Hammer- og boreoperasjoner gjør at fliser flyr gjennom luften. Flyvende partikler kan forårsake permanent øyeskade.
- **Bruk hørselsvern ved slagboring.** Å bli utsatt for støy kan forårsake hørselstap.
- **Bruk hjelpehåndtakene dersom de leveres med verktøyet.** Å miste kontroll kan forårsake personskade.
- **Bruk ikke dette verktøyet i lange perioder.** Vibrasjon forårsaket av verktøyet kan skade hendene og armene. Bruk hansker for å gi ekstra polstring og begrense risikoen ved å hvile ofte.

Andre personers sikkerhet

- Dette apparatet kan brukes av barn som er 8 år eller eldre samt av personer som har reduserte fysiske, sansemessige eller mentale evner, eller som mangler erfaring og kunnskap, hvis de har tilsyn eller har fått veiledning i bruk av apparatet på en trygg måte og forstår farene som foreligger.

- *Barn skal ikke leke med apparatet. Rengjøring og brukervedlikehold skal ikke utføres av barn uten tilsyn.*

Restrisikoer

Når verktøyet brukes, kan det oppstå ytterligere risikoer som kanskje ikke er beskrevet i de medfølgende sikkerhetsadvarslene. Disse risikoene kan bli forårsaket av feil bruk, langvarig bruk osv. Selv om de relevante sikkerhetsbestemmelsene blir fulgt, og sikkerhetstiltakene blir gjennomført, kan visse gjenværende risikoer ikke unngås. Disse inkluderer:

- **Personskader som forårsakes av berøring av en roterende/bevegelig del.**
- **Personskader som skyldes skifte av deler, blad eller tilbehør.**
- **Personskader som forårsakes av langvarig bruk av et verktøy.** Når du bruker et verktøy i lange perioder, må du sørge for å ta regelmessige pauser.
- **Hørselskader.**
- **Helsefare som skyldes innånding av støv som dannes når du bruker verktøyet (for eksempel under arbeid med tre, spesielt eik, bøk og MDF.)**

Vibrasjon

Vibrasjonsemijsjonsverdien som er angitt under **tekniske data** og **samsvarserklæring**, er blitt målt i henhold til en standard testmetode som er angitt i EN62841, og kan brukes til å sammenligne et verktøy med et annet. Den oppgitte vibrasjonsemijsjonsverdien kan også brukes til en foreløpig vurdering av eksponering.

▲ ADVARSEL! Vibrasjonsemijsjonsverdien under faktisk bruk av elektroverktøyet kan avvike fra den oppgitte verdien avhengig av måten verktøyet blir brukt på. Vibrasjonsnivået kan øke over nivået som er oppgitt.

Under vurdering av vibrasjonseksponering for å bestemme sikkerhetstiltak som kreves i 2002/44/EF for å beskytte personer som bruker elektroverktøy regelmessig i arbeidet, skal det tas hensyn til de faktiske bruksforholdene og måten verktøyet blir brukt på. Dette gjelder alle deler av bruksyklusen – også de gangene verktøyet er slått av, når det går på tomgang, samt tiden utløseren er inne.

Etiketter på verktøyet

Følgende symboler vises på verktøyet sammen med datokoden:



ADVARSEL! Brukeren må lese håndboken for å redusere risikoen for personskade.

Elektrisk sikkerhet



Dette verktøyet er dobbeltisolert. Jording er derfor ikke nødvendig. Kontroller alltid at strømforsyningen samsvarer med spenningen på merkeskiltet.

- Hvis strømledningen blir skadet, må den byttes av produsenten eller et autorisert BLACK+DECKER-servicesenter for å unngå fare.

Egenskaper (Fig. A)

Dette verktøyet har noen eller alle av disse egenskapene.

- 1 Bryter for variabel hastighet
- 2 Låseknapp
- 3 Bryter for fremover/bakover
- 4 Boremodusvelger

- 5 Chuck
- 6 Chucklås
- 7 Sidehåndtak

MONTERING

▲ ADVARSEL! Før monteringen må du passe på at verktøyet er slått av, og at støpselet er trukket ut.

Montere sidehåndtaket (Fig. B)

- Vri knotten **7C** mot klokken til du kan skyve sidehåndtaket **7** inn på forsiden av verktøyet som vist.
- Vri sidehåndtaket til ønsket stilling, pass på at hakkene **7A** festes i hjulet **7B**.
- Stram sidehåndtaket ved å vri knotten **7C** med klokken.
- Merk: Sidehåndtaket kan posisjoneres etter personlig ønske.

Sette på et tilbehør (Fig. C)

- Trykk inn chucklåsen **6**.
- Åpne chucken **5** ved å dreie mansjetten mot klokken.
- Sett bitskafet **8** inn i chucken.
- Stram chucken ved å dreie mansjetten med klokken.

BRUK

▲ ADVARSEL! La verktøyet arbeide i sin egen hastighet. Må ikke overbelastes.

▲ ADVARSEL! Før du borer i vegger, gulv eller tak, kontrollerer du plasseringen av kabler og rør.

Slå på og av (Fig. D, G)

- Når du skal slå verktøyet på, trykker du på bryteren for variabel hastighet **1**. Hastigheten til verktøyet avhenger av hvor langt inn du trykker bryteren.
- Hvis du ønsker å holde verktøyet i kontinuerlig drift, trykker du inn låseknappen **2** og slipper knappen for variabel hastighet. Dette alternativet fungerer ikke ved rotasjon bakover.
- Når du skal slå av verktøyet, slipper du knappen for variabel hastighet. Hvis du vil slå av verktøyet mens det går kontinuerlig, trykker du inn bryteren for variabel hastighet én gang til og slipper den. Hold verktøyet som vist i Figuren D og G.

Velge rotasjonsretning (Fig. E)

For boring og stramming av skruer brukes rotasjon fremover (med klokken). For løsing av skruer eller fjerning av bor som sitter fast, brukes rotasjon bakover (mot klokken).

- Når du skal velge rotasjon fremover, skyver du glidebryteren **3** for fremover/bakover til venstre.
- Når du skal velge rotasjon bakover, skyver du glidebryteren til høyre.

▲ ADVARSEL! Du må aldri skifte rotasjonsretning mens motoren går.

Velge brukboremodus (Fig. F)

- Hvis du skal slagbore i mur og betong, setter du boremodusvelgeren **4** til posisjon **T**.
- For boring i stål, tre og plast setter du bruksmodusvelgeren **4** i posisjon **1**.

Tilbehør

Verktøyets ytelse avhenger av hva slags tilbehør som brukes. Tilbehør fra BLACK+DECKER er produsert etter høye kvalitetsstandarder og er konstruert for å bedre verktøyets ytelse. Hvis du bruker dette tilbehøret, får du mest mulig ut av verktøyet ditt.

VEDLIKEHOLD

BLACK+DECKER maskinen/-verktøyet med eller uten ledning er laget for å brukes over lang tid med et minimum av vedlikehold. For at den skal fungere tilfredsstillende over tid, er det viktig å sørge for riktig stell av verktøyet og regelmessig renhold.

▲ ADVARSEL! Før du utfører vedlikehold på elektrisk drevet/ batteridrevet elektroverktøy:

- Slå av apparatet/verktøyet og trekk ut støpselet.
- Eller slå av apparatet/verktøyet og ta ut batteriet hvis apparatet/verktøyet har separat batteripakke.
- Eller la batteriet gå helt tomt hvis det er innebygd, og slå deretter av.
- Trekk ut laderen fra stikkkontakten før rengjøring. Laderen krever ikke annet vedlikehold enn regelmessig rengjøring.
- Rengjør ventilasjonsåpningene i apparatet/verktøyet/laderen regelmessig med en myk børste eller tørr klut.
- Rengjør motorhuset regelmessig med en fuktig klut. Ikke bruk slipende eller løsemiddelbaserte rengjøringsmidler.
- Åpne chucken regelmessig, og bank på den for å fjerne eventuelt støv fra innsiden (hvis det er aktuelt).

Miljøvern



Separat avfallshåndtering. Produkter og batterier merket med dette symbolet skal ikke kastes i vanlig husholdningsavfall. Produkter og batterier inneholder materialer som kan gjenbrukes eller gjenvinnes for å redusere behovet for nye råmaterialer.

Vennligst lever elektrisk utstyr og batterier til gjenbruk i henhold til lokale retningslinjer.

Mer informasjon finner du på www.2helpU.com.

Tekniske data

		BEH550 Type2	BEH710 Type2
Spenning	V_{AC}	230	230
Inngangseffekt	W	550	710
Ubelastet hastighet	min ⁻¹	0 ~ 2800	0 ~ 2800
Slagfrekvens	min ⁻¹	0 ~ 47600	0 ~ 47600
Vekt	kg	1,7	1,76
Maks borekapasitet			
Betong	mm	13	13
Stål	mm	13	13
Tre	mm	25	25

BEH550 Lydtrykknivå målt i henhold til EN 62841:

Lydtrykk (L_{pA}) 96,5 dB(A), usikkerhet (K) 5 dB(A)

Lydeffekt (L_{WA}) 104,5 dB(A), usikkerhet (K) 5 dB(A)

BEH710 Lydtrykknivå målt i henhold til EN 62841:

Lydtrykk (L_{pA}) 98,5 dB(A), usikkerhet (K) 5 dB(A)

Lydeffekt (L_{WA}) 106,5 dB(A), usikkerhet (K) 5 dB(A)

BEH550 otale vibrasjonsverdier (vektorsum fra tre retninger) i henhold til EN 62841:

Slagboring i betong (a_{hv}) 14,8 m/s², usikkerhet (K) 1,5 m/s²

Boring i metall (a_{hv}) 1,8 m/s², usikkerhet (K) 1,5 m/s²

BEH710 Totale vibrasjonsverdier (vektorsum fra tre retninger) i henhold til EN 62841:

Slagboring i betong ($a_{h,v}$) 16,2 m/s², usikkerhet (K) 1,5 m/s²
 Boring i metall ($a_{h,v}$) 1,9 m/s², usikkerhet (K) 1,5 m/s²

EF-samsvarserklæring

MASKINDIREKTIVET



BEH550, BEH710 Slagdrill

Black & Decker erklærer at disse produktene, som er beskrevet under "Tekniske data", er i samsvar med:

2006/42/EC, EN 62841-1:2015+A11:2022,

EN 62841-2-1:2018+A11:2019+A11:2022+A12:2022

Disse produktene er også i samsvar med direktiv 2014/30/EU og 2011/65/EU. Hvis du ønsker mer informasjon, kan du kontakte Black & Decker på adressen nedenfor eller se baksiden av bruksanvisningen.

Undertegnede er ansvarlig for sammenstillingen av den tekniske filen og fremsetter denne erklæringen på vegne av Black & Decker.

Patrick Diepenbach

Patrick Diepenbach
 General Manager, Benelux
 Black and Decker,
 Egide Walschaertsstraat 14-18
 2800 Mechelen, Belgia
 02/08/2023

Garanti

Black & Decker er trygg på kvaliteten av produktene sine og tilbyr en 24 måneders garanti fra kjøpsdato. Denne garantierklæringen kommer i tillegg til dine lovbestemte rettigheter og er ikke i konflikt med disse. Garantien er gyldig innen områdene tilhørende medlemslandene i den Europeiske Union (EU) og det Europeiske Frihandelsområdet (EFTA) og Storbritannia.

For å ta garantien i bruk må kravet være i samsvar med kjøpsbetingelsene fra Black&Decker og du må vise kjøpskvitting til forhandleren eller til et autorisert serviceverksted.

Betingelsene for Black & Deckers 2 års garanti og adressen til din nærmeste autoriserte serviceverksted kan du finne på internett under www.2helpU.com, eller ved å kontakte ditt lokale Black & Decker kontor, adressen er angitt i denne bruksanvisningen.

Vennligst se vår nettside www.blackanddecker.eu for å registrere ditt Black & Decker produkt og få oppdateringer om nye produkter og spesialtilbud.

Tilsliget Brug

Dit BLACK+DECKER BEH550, BEH710 slagbor er designet til boring i træ, metal, plastik og murværk og som skruetrækker. Værktøjet er kun beregnet til privat brug.

GENERELLE SIKKERHEDSADVARSLER FOR ELVÆRKTØJER

▲ ADVARSEL: Læs alle sikkerhedsadvarsler, instruktioner, illustrationer og specifikationer, der følger med dette elværktøj. Manglende overholdelse af alle nedenstående instruktioner kan medføre elektrisk stød, brand og/eller alvorlig personskade.

GEM ALLE ADVARSLER OG INSTRUKTIONER TIL SENERE BRUG

Termen "elværktøj" i advarslerne refererer til dit elektroniske (ledning) eller batteribetjente (trådløse) elværktøj.

1) Sikkerhed i Arbejdsområdet

- Sørg for, at arbejdsområdet er rent og godt oplyst.** Rodede eller mørke områder giver anledning til ulykker.
- Undlad at benytte elektrisk værktøj i en eksplosionsfarlig atmosfære, som f.eks. ved tilstedeværelsen af brændbare væsker, gasser eller støv.** Elværktøj danner gnister, der kan antænde støv eller dampe.
- Hold børn og omkringstående på afstand, når der anvendes elektrisk værktøj.** Distractioner kan medføre, at du mister kontrollen.

2) Elektrisk Sikkerhed

- Stik på elektrisk værktøj skal passe til stikkontakten. Stikket må aldrig modificeres på nogen måde. Undlad at bruge adapterstik sammen med jordforbundet elektrisk værktøj.** Umodificerede stik og dertil passende stikkontakter reducerer risikoen for elektrisk stød.
- Undgå kropskontakt med jordforbundne overflader, såsom rør, radiatorer, komfurer og køleskabe.** Der er øget risiko for elektrisk stød, hvis din krop er jordforbundet.
- Undlad at udsætte elektrisk værktøj for regn eller våde forhold.** Hvis der trænger vand ind i et elektrisk værktøj, øges risikoen for elektrisk stød.
- Undlad at udsætte ledningen for overlast. Brug aldrig ledningen til at bære, trække værktøjet eller trække det ud af stikkontakten. Hold ledningen borte fra varme, olie, skarpe kanter og bevægelige dele.** Beskadigede eller sammenfiltrede ledninger øger risikoen for elektrisk stød.
- Når elektrisk værktøj benyttes udendørs, skal der anvendes en forlængerledning, som er egnet til udendørs brug.** Brug af en ledning, der er egnet til udendørs brug, reducerer risikoen for elektrisk stød.
- Hvis det ikke kan undgås at betjene et elektrisk værktøj i et fugtigt område, benyt en strømforsyning, der er beskyttet af en fejlstrømsafbryder.** Ved at benytte en fejlstrømsafbryder reduceres risikoen for elektrisk stød.

3) Personlig Sikkerhed

- Vær opmærksom, pas på hvad du foretager dig, og brug sund fornuft, når du benytter et elektrisk værktøj. Betjen ikke værktøjet, hvis du er træt, påvirket af narkotika, alkohol eller medicin.** Et øjeblikvis uopmærksomhed under anvendelse af et elektrisk værktøj kan forårsage alvorlig personskade.

b) **Brug personligt sikkerhedsudstyr. Bær altid beskyttelsesbriller.** Sikkerhedsudstyr, såsom støvmaske, skridsikre sikkerhedssko, sikkerhedshjelm eller høreværn, brugt når omstændighederne foreskriver det, reducerer omfanget af personskader.

c) **Undgå utilsigtet start. Sørg for, at der er slukket for kontakten, inden værktøjet tilsluttes en strømkilde og/eller batterienhed, samles op eller bæres.** Når elektrisk værktøj bæres med fingern på kontakten eller tilsluttes, når kontakten er tændt, giver det anledning til ulykker.

d) **Fjern eventuelle justerings- eller skruenøgler, før det elektriske værktøj startes.** En skruenøgle eller anden nøgle, der bliver siddende på en roterende del af elektrisk værktøj, kan give anledning til personskade.

e) **Undlad at række for langt. Hold hele tiden en god fodstilling og balance.** Dette giver bedre kontrol af det elektriske værktøj, når uventede situationer opstår.

f) **Bær hensigtsmæssig påklædning. Bær ikke løst tøj eller smykker. Hold dit hår, tøj og handsker væk fra bevægelige dele.** Løstsiddende tøj, smykker eller langt hår kan blive fanget i bevægelige dele.

g) **Hvis der anvendes støvudsugnings- eller støvsamlingsudstyr, skal dette tilsluttes og anvendes rigtigt.** Anvendelse af støvsamlingsudstyr kan begrænse farer forårsaget af støv.

h) **Lad ikke erfaringer fra hyppig brug af værktøjer medføre, at du bliver selvtilfreds og ignorerer sikkerhedsprincipperne for værktøjerne.** En skødesløs handling kan forårsage alvorlig skade i en brøkdal af et sekund.

4) Anvendelse og Vedligeholdelse af Elektrisk Værktøj

- Undlad at bruge magt over for det elektriske værktøj. Brug det værktøj, der er bedst egnet til det arbejde, der skal udføres.** Værktøjet vil klare opgaven bedre og mere sikkert med den ydelse, som det er beregnet til.
- Undlad at benytte elektrisk værktøj, hvis kontakten ikke tænder og slukker for det.** Alt elektrisk værktøj, der ikke kan kontrolleres med kontakten, er farligt og skal repareres.
- Træk stikket ud af stikkontakten og/eller batterienheden, hvis aftagelig, fra det elektriske værktøj, før det elektriske værktøj justeres, dets tilbehør udskiftes, eller det stilles til opbevaring.** Sådanne forebyggende sikkerhedsforanstaltninger mindsker risikoen for, at værktøjet startes utilsigtet.
- Opbevar elektrisk værktøj uden for rækkevidde af børn, og tillad ikke personer, som ikke er bekendt med dette elektriske værktøj eller disse instruktioner, at betjene værktøjet.** Elektrisk værktøj er farligt i hænderne på personer, som ikke er instrueret i brugen deraf.
- Vedligeholdelse af elektrisk værktøj. Undersøg om bevægelige dele sidder skævt, binder eller er gået itu såvel som andre forhold, der kan påvirke betjeningen af værktøjet. Hvis det elektriske værktøj er beskadiget, skal det repareres før brug.** Mange ulykker er forårsaget af dårligt vedligeholdt værktøj.
- Hold skæreværktøj skarpe og rene.** Ordentligt vedligeholdt skæreværktøj med skarpe skærekanter har mindre tilbøjelighed til at binde og ere lettere at styre.
- Brug elektrisk værktøj, tilbehør, bor, osv. i overensstemmelse med disse instruktioner, idet der tages hensyn til arbejdsforholdene og den opgave, som skal**

udføres. Brug af elektrisk værktøj til andre opgaver end dem, der er beregnet til, kan resultere i en farlig situation.

h) **Hold håndtag og håndtagsflader tørre, rene og fri for olie og smørelse.** Glatte håndtag og gribeblader giver ikke mulighed for sikker håndtering og styring af værktøjet i uventede situationer.

5) Service

a) **Elektrisk værktøj skal serviceres af en kvalificeret servicetekniker, som udelukkende benytter identiske reservedele.** Derved sikres det, at værktøjets driftssikkerhed opretholdes.

Sikkerhedsinstruktioner til al brug

- **Bær høreværn når du arbejder med slagboring.** Udsættelse for støj kan medføre høretab.
- **Brug de(t) ekstra håndtag.** Tab af kontrol kan medføre personskade.
- **Afstiv værktøjet grundigt før brug.** Dette værktøj producerer et højt udgangsmoment, og uden korrekt afstivning af værktøjet under drift, kan du miste kontrollen, hvilket kan resultere i personskade.
- **I elværktøjets isolerede gribeblader, hvis der er risiko for, at skæretilbehøret kommer i kontakt med skjulte ledninger eller værktøjets egen ledning.** Hvis skæretilbehøret rammer en strømførende ledning, bliver elværktøjets blotlagte dele strømførende, så brugeren får stød.

Sikkerhedsinstruktioner for at anvende lange borekroner

- **Brug aldrig hurtigere hastighed end det maksimale angivet på borekronen.** Ved højere hastigheder vil boret sandsynligvis bøjes, hvis det får lov til at rotere frit uden at komme i berøring med emnet, hvilket kan resultere i personskade.
- **Start altid med at bore ved lav hastighed og med spidsen af boret i kontakt med overfladen.** Ved højere hastigheder vil boret sandsynligvis bøjes, hvis det får lov til at rotere frit uden at komme i berøring med emnet, hvilket kan resultere i personskade.
- **Begynd altid med at bore i lav hastighed og med boriespidsen i kontakt med emnet.** Bør kan bøje og forårsage brud eller tab af kontrol, hvilket kan resultere i personskade.

Ekstra sikkerhedsadvarsler for bor/drivværk/hammerbor

- Brug klemmer eller en anden praktisk måde på at sikre og understøtte arbejdsområdet til et stabilt underlag. Hvis du holder fast i arbejdsområdet med din hånd eller krop, vil det være ustabil, og det kan medføre, at du mister kontrollen over det.
- Tilbehør og værktøj kan blive varme under drift. Bær handsker under arbejde med dem, hvis du udfører varmfremkaldende opgaver som fx boring af metaller.
- Luftaftræk dækker ofte over bevægelige dele og bør undgås. Løstsiddende tøj, smykker eller langt hår kan blive fanget i bevægelige dele.
- Bær sikkerhedsbriller eller anden beskyttelse af øjnene. Hammer- og borefunktioner kan medføre flyvende splinter. Flyvende partikler kan forårsage permanente øjenskader.
- Bær høreværn når du arbejder med slagboring. Udsættelse for støj kan medføre høretab.
- Anvend hjælpehåndtag, hvis leveret sammen med værktøjet. Tab af kontrol kan medføre personskade.
- Arbejd ikke med dette værktøj i længere tid ad gangen. Vibrationer fra værktøjet kan beskadige dine hænder og arme.

Brug handsker som ekstra stødpude og begræns risikoen ved at holde hyppige pauser.

Andres sikkerhed

- Dette apparat kan bruges af børn i en alder fra 8 år og derover og personer med nedsatte fysiske, sensoriske eller mentale evner eller manglende erfaring og viden, hvis det sker under overvågning, eller de vejledes i brugen af apparatet på en sikker måde, og de forstår de farer, som er forbundet dermed.
- Børn må ikke lege med apparatet. Rengøring og brugervedligeholdelse må ikke foretages af børn uden opsyn.

Tilbageværende risici

Der kan opstå yderligere, tilbageværende risici under brugen af apparatet, som muligvis ikke behandles i de vedlagte sikkerhedsadvarsler. Disse risici kan opstå pga. forkert anvendelse, langvarig brug etc.

Selv ved overholdelse af relevante sikkerhedsforskrifter og anvendelse af sikkerhedsudstyr kan visse resterende risici ikke undgås. Disse omfatter:

- Tilskadecomst forårsaget af berøring af roterende/bevægelige dele.
- Tilskadecomst forårsaget af udskiftning af dele, klinger eller tilbehør.
- Tilskadecomst forårsaget af langvarig brug af et apparat. Husk at holde pause jævnligt ved brug af et apparat i længere tid.
- Hørenedsættelse.
- Sundhedsrisici forårsaget af indånding af støv, der genereres ved brug af værktøjet (eksempel: Arbejde med træ, især eg, bøg og MDF.)

Vibration

De angivne værdier for udsendelse af vibration anført under de **tekniske data** og **overensstemmelseserklæringen** er målt i henhold til standardtestmetoden i EN62841 og kan bruges til at sammenligne ét værktøj med et andet. Den angivne vibrationsmissionsværdi kan også bruges i forbindelse med en foreløbig vurdering af eksponeringen.

⚠ ADVARSEL! Værdien for vibrationsmission ved faktisk brug af elværktøjet kan afvige fra den angivne værdi afhængigt af måden, værktøjet anvendes på. Vibrationsniveauet kan overstige det angivne niveau.

I vurderingen af eksponeringen for vibration med henblik på fastsættelse af sikkerhedsforanstaltninger som krævet i 2002/44/EF til beskyttelse af personer, der jævnligt anvender elværktøj i deres arbejde, skal der tages hensyn til de faktiske betingelser under brugen, og måden værktøjet bruges på, herunder alle arbejds cyklussens afsnit, f.eks. perioder, hvor værktøjet er slukket, og hvor det kører i tomgang, tillige med startperioderne.

Mærkater på værktøjet

Værktøjet er forsynet med følgende piktogrammer sammen med en datokode:



ADVARSEL! Brugeren skal læse brugervejledningen for at reducere risikoen for kvæstelser.

Elektricitet og sikkerhed



Denne maskine er dobbelt isoleret. Derfor er jordledning ikke nødvendig. Kontrollér altid, at strømforsyningen svarer til spændingen på mærkepladen.

• Hvis netledningen er autoriseret, skal den udskiftes af producenten eller et autoriseret BLACK+DECKER-værksted, så farlige situationer undgås.

Funktioner (Fig. A)

Dette værktøj indeholder nogle eller alle af følgende funktioner.

- 1 Variabel hastighedskontakt
- 2 Låseknop
- 3 Kontakt til skift af retning
- 4 Knap til valg af borefunktion
- 5 Patron
- 6 Patronlås
- 7 Sidehåndtag

SAMLING

▲ ADVARSEL! *Kontroller før samling, at værktøjet er slukket, og at stikket er taget ud af stikkontakten.*

Montering af sidehåndtaget (Fig. B)

- Drej knappen **7C** mod uret, til du kan trække sidehåndtaget **7** frem til værktøjets forende som vist.
- Drej sidehåndtaget til den ønskede stilling, mens du sørger for, at fordybningerne **7A** kobles med kædehullet **7B**.
- Spænd sidehåndtaget ved at dreje knappen **7C** med uret.

BEMÆRK: Sidehåndtaget kan placeres, afhængigt af personlig præference.

Montering af tilbehør (Fig. C)

- Tryk på patronlåsen **6**.
- Åbn patronen **5** ved at dreje muffen mod uret.
- Sæt bitfatningen **8** i patronen.
- Spænd patronen ved at dreje muffen med uret.

ANVENDELSE

▲ ADVARSEL! *Lad værktøjet arbejde i dets eget tempo. Det må ikke overbelastes.*

▲ ADVARSEL! *Kontroller placeringen af ledninger og rør, inden der børes i vægge, gulve eller lofter.*

Sådan tændes og slukkes enheden (Fig. D, G)

- Tryk på kontakten til variabel hastighed **1** for at starte værktøjet. Værktøjets hastighed afhænger af, hvor langt du trykker knappen.
- Tryk på spærreknappen **2** og udløs kontakten til variabel hastighed for at opnå konstant funktion. Denne funktion kan ikke aktiveres ved baglæns omløb.
- Slip kontakten til variabel hastighed for at slukke for værktøjet. Sluk for værktøjet efter arbejde i konstant funktion ved at trykke på knappen til variabel hastighed igen for at udløse den. Hold altid værktøjet som vist i Figur D og G.

Valg af omløbsretning (Fig. E)

Brug forlæns omløb (med uret) ved boring og spænding af skruer. Brug baglæns omløb (mod uret) for at løsne skruer eller fjerne et fastklemt bor.

- Tryk skyderen til skift af retning **3** mod venstre for at vælge forlæns omløb.
- Tryk skyderen til skift af retning mod højre for at vælge baglæns omløb.

▲ ADVARSEL! *Skift aldrig omløbsretning, mens motoren kører.*

Valg af borefunktion (Fig. F)

- Ved slagboring i murværk og beton skal knappen til valg af borefunktion **4** indstilles til positionen **T**.
- Ved boring i stål, træ og plastik eller til skrueboring skal funktionsvælgeren **4** indstilles til **1**-positionen.

Tilbehør

Værktøjets ydeevne afhænger af det anvendte tilbehør. Tilbehør fra BLACK+DECKER er fremstillet efter høje kvalitetsstandarder og er designet til at forbedre dit værktøjets ydeevne. Når du bruger dette tilbehør, vil værktøjet yde optimalt.

VEDLIGEHOLDELSE

Dit BLACK+DECKER-apparat/værktøj med eller uden ledning er beregnet til brug gennem lang tid med et minimum af vedligeholdelse. Vedvarende tilfredsstillende funktion er afhængig af, om apparatet plejes korrekt og rengøres regelmæssigt.

▲ ADVARSEL! *Før udførelse af nogen form for vedligeholdelse på elværktøj med/uden ledning:*

- Sluk og tag apparatets/værktøjets stik ud af stikkontakten.
- Eller sluk og fjern batteriet fra apparatet/værktøjet, hvis det har en separat batteripakke.
- Eller aflad batteriet helt, hvis det er indbygget, og sluk derefter.
- Træk opladeren ud af stikkontakten, før den rengøres. Opladeren kræver ingen vedligeholdelse, men skal rengøres jævnligt.
- Rengør jævnligt apparatets/værktøjets/laderens ventilationshuller med en blød børste eller en tør klud.
- Rengør med jævne mellemrum motorhuset med en fugtig klud. Der må ikke bruges skuremidler eller opløsningsmidler.
- Åbn jævnligt patronen, og bank på den for at fjerne indvendigt støv (hvis monteret).

Miljøbeskyttelse



Særskilt bortskaftelse. Produkter og batterier mærket med dette symbol må ikke bortskaftes sammen med normalt husholdningsaffald. Produkter og batterier indeholder materialer, der kan genvindes eller

genbruges og således reducere efterspørgslen efter råvarer. Genbrug venligst elektriske produkter og batterier i henhold til lokale bestemmelser.

Yderligere informationer findes på www.2helpU.com.

Tekniske data

		BEH550 Type2	BEH710 Type2
Spænding	V _{ac}	230	230
Effektindgang	W	550	710
Tomgangshastighed	min ⁻¹	0 ~ 2800	0 ~ 2800
Slaghastighed	min ⁻¹	0 ~ 47600	0 ~ 47600
Vægt	kg	1,7	1,76
Maks. borekapacitet			
Beton	mm	13	13
Stål	mm	13	13
Træ	mm	25	25

BEH550 Lydtrykniveau i henhold til EN 62841:Lydtryk (L_{pA}) 96,5 dB(A), usikkerhed (K) 5 dB(A)Lydeffekt (L_{wA}) 104,5 dB(A), usikkerhed (K) 5 dB(A)**BEH710 Lydtrykniveau i henhold til EN 62841:**Lydtryk (L_{pA}) 98,5 dB(A), usikkerhed (K) 5 dB(A)Lydeffekt (L_{wA}) 106,5 dB(A), usikkerhed (K) 5 dB(A)**BEH550 Samlede værdier for vibration (triaksial vektorsum) i henhold til EN 62841:**Slagboring i beton ($a_{h,v}$) 14,8 m/s², usikkerhed (K) 1,5 m/s²Boring i metal ($a_{h,v}$) 1,8 m/s², usikkerhed (K) 1,5 m/s²**BEH710 Samlede værdier for vibration (triaksial vektorsum) i henhold til EN 62841:**Slagboring i beton ($a_{h,v}$) 16,2 m/s², usikkerhed (K) 1,5 m/s²Boring i metal ($a_{h,v}$) 1,9 m/s², usikkerhed (K) 1,5 m/s²**EF-overensstemmelseserklæring**

MASKINDIREKTIV



BEH550, BEH710 Slagbor

Black & Decker erklærer, at produkterne beskrevet under "Tekniske data" er i overensstemmelse med:

2006/42/EC, EN 62841-1:2015+A11:2022,

EN 62841-2-1:2018+A11:2019+A1:2022+A12:2022

Disse produkter er endvidere i overensstemmelse med direktiv 2014/30/EU og 2011/65/EU. Kontakt Black & Decker på nedenstående adresse eller se vejledningens bagside for at få flere oplysninger.

Undertegnede er ansvarlig for kompilering af den tekniske fil og udsteder denne erklæring på vegne af Black & Decker.

Patrick Diepenbach
General Manager, Benelux
Black and Decker,
Egide Walschaertsstraat 14-18
2800 Mechelen, Belgien
02/08/2023

Garanti

Black & Decker er overbevist om den gode kvalitet af sine produkter og giver forbrugerne en garanti på 24 måneder fra købsdatoen. Garantien er et tillæg til forbrugers lovæssige rettigheder og påvirker ikke disse. Garantien er gyldig inden for medlemsstaterne af Den Europæiske Union, Det Europæiske Frihandelsområde og Storbritannien.

Når du gør krav på garantien, skal kravet være i overensstemmelse med Black & Decker vilkår og betingelser, og du skal indsende dokumentation for købet til sælgeren eller til en autoriseret reparatør.

Vilkår og betingelser for Black & Decker 2 års garanti og placeringen af dit nærmeste autoriserede serviceværksted kan fås på internettet på www.2helpU.com, eller ved at kontakte

dit lokale Black & Decker kontor på den adresse, der er angivet i denne vejledning.

Besøg venligst vores websted www.blackanddecker.eu for at registrere dit nye Black & Decker produkt og modtage opdateringer om nye produkter og specielle tilbud.

Käyttötarkoitukset

Tämä BLACK+DECKER BEH550, BEH710 -iskuporakone on tarkoitettu puun, metallin, muovin ja betonin poraamiseen sekä ruuvaukseen. Tämä työkalu on tarkoitettu vain yksityiskäyttöön.

SÄHKÖTYÖKALUN YLEISET TURVALLISUUSVAROITUKSET

▲ VAROITUS: Lue kaikki tämän sähkötyökalun mukana toimitetut varoitukset, käyttöohjeet ja tekniset tiedot. Jos kaikkia ohjeita ei noudateta, on olemassa sähköiskun, tulipalon ja/tai vakavan henkilövahingon vaara.

SÄILYTTÄ KAIKKI VAROITUKSET JA OHJEET MYÖHEMPÄÄ KÄYTTÖÄ VARTEN

Näissä varoituksissa käytettävä sähkötyökalu-ilmaus viittaa verkkovirtaan yhdistettävään tai akkukäyttöiseen työkaluun.

1) Työskentelyalueen Turvallisuus

a) **Pidä työskentelyalue siistinä ja kirkkaasti valaistuna.**

Onnettomuuksia sattuu herkemmin epäsiistissä tai huonosti valaistussa ympäristössä.

b) **Älä käytä sähkötyökaluja, jos on olemassa räjähdysvaara esimerkiksi syttyvien nesteiden, kaasujen tai pölyn vuoksi.** Sähkötyökalujen aiheuttamat kipinät voivat sytyttää pölyn tai kaasut.

c) **Pidä lapset ja sivulliset kaukana käyttäessäsi sähkötyökalua.** Keskittymiskyvyn herpaantuminen voi aiheuttaa hallinnan menettämisen.

2) Sähköturvallisuus

a) **Pistokkeen ja pistorasian on vastattava toisiaan. Älä koskaan tee pistokkeeseen mitään muutoksia. Älä yhdistä maadoitettua sähkötyökalua jatkojohtoon.** Sähköiskun vaara vähenee, jos pistokkeisiin ei tehdä muutoksia ja ne yhdistetään vain niille tarkoitettuihin pistorasioihin.

b) **Älä kosketa maadoituksessa käytettäviin pintoihin, kuten putkiin, lämpöpattereihin ja jäähdytyslaitteisiin.** Voit saada sähköiskun, jos kehosi on maadoitettu.

c) **Älä aaltista sähkötyökaluja sateelle tai kosteudelle.** Sähkötyökaluun menevä vesi lisää sähköiskun vaaraa.

d) **Älä vaurioita sähköjohtoa. Älä kanno työkaluja sähköjohtosta tai vedä pistoketta pistorasiasta sähköjohdon avulla. Pidä sähköjohto kaukana kuumuudesta, öljystä, terävistä reunoista tai liikkuvista osista.** Vaurioituneet tai sotkeutuneet johdot lisäävät sähköiskun vaaraa.

e) **Jos käytät sähkötyökalua ulkona, käytä vain ulkokäyttöön tarkoitettua jatkojohtoa.** Ulkokäyttöön tarkoitettujen sähköjohdon käyttäminen vähentää sähköiskun vaaraa.

f) **Jos sähkötyökalua on käytettävä kosteassa paikassa, käytä vikavirtasuojaa.** Tämä vähentää sähköiskun vaaraa.

3) Henkilösuojaus

a) **Käyttäessäsi sähkötyökalua pysy valppaana, keskity työhön ja käytä tervettä järkeä. Älä käytä tätä työkalua ollessasi väsynyt tai alkoholin, huumeiden tai lääkkeiden vaikutuksen alaisena.** Keskittymisen herpaantuminen hetkeksikin sähkötyökalua käytettäessä voi aiheuttaa vakavan henkilövahingon.

b) **Käytä henkilösuojavarusteita. Käytä aina suojalaseja.** Hengityssuojaimen, liukumattomien turvajalkineiden, kypärän ja kuulosuojaimen käyttäminen vähentää henkilövahinkojen vaaraa.

c) **Estä tahaton käynnistäminen. Varmista, että virtakytkin on OFF-asennossa, ennen kuin kytket sähkötyökalun pistorasiaan, yhdistät siihen akun, nostat työkalun käteesi tai kannat sitä.** Sähkötyökalun kantaminen sormi virtakytkimellä lisää onnettomuusvaaraa.

d) **Poista kaikki säätöavaimet tai vääntimet ennen sähkötyökalun käynnistämistä.** Sähkötyökalun pyöriivään osaan jäänyt säätöavain tai väännin voi aiheuttaa henkilövahingon.

e) **Älä kurkottele. Seiso aina vakaasti tasapainossa.** Näin voit hallita sähkötyökalua paremmin odottamattomissa tilanteissa.

f) **Pukeudu oikein. Älä käytä löysiä vaatteita tai koruja. Pidä hiukset, vaatteet ja kädet loitolla liikkuvista osista.** Löysät vaatteet, korut tai pitkät hiukset voivat tarttua liikkuviin osiin.

g) **Jos käytettävissä on laitteita pölyn ottamiseksi talteen, käytä niitä.** Pölyn ottaminen talteen voi vähentää pölyn aiheuttamia vaaroja.

h) **Vaikka käyttäisit usein erilaisia työkaluja, vältä liiallista itsevarmuutta ja huomioi aina työkalun turvallisuusohjeet.** Epähuomiossa suoritettujen toimenpiteet voivat johtaa vakaviin henkilövahinkoihin sekunnin murto-osassa.

4) Sähkötyökaluista Huolehtiminen

a) **Älä kohdistaa sähkötyökaluun liikaa voimaa. Valitse käyttötarkoituksen kannalta oikea sähkötyökalu.**

Sähkötyökalu toimii paremmin ja turvallisemmin, kun sitä käytetään sille suunniteltuun käyttötarkoitukseen.

b) **Älä käytä työkalua, jos virtakytkin ei toimi.** Jos sähkötyökalua ei voi hallita kytkimen avulla, se on vaarallinen ja se on korjattava.

c) **Irrota sähkötyökalun pistoke pistorasiasta ja/tai irrota sen akku (jos irrotettavissa) ennen säätämistä, varusteiden vaihtamista tai sähkötyökalun asettamista säilytykseen.** Näin voit vähentää vahingossa käynnistymisen aiheuttaman henkilövahingon vaaraa.

d) **Varastoi sähkötyökaluja lasten ulottumattomissa. Älä anna sähkötyökaluihin tottumattomien tai näihin ohjeisiin perehtymättömien henkilöiden käyttää sähkötyökaluja.**

Sähkötyökalut ovat vaarallisia kouluttamattomien käyttäjien käsissä.

e) **Pidä sähkötyökalut kunnossa. Tarkista liikkuvat osat, niiden kiinnitys, osien eheys ja muut toimintaan vaikuttavat tekijät. Jos havaitset vaurioita, korjauta sähkötyökalua ennen niiden käyttämistä.** Huonosti kunnossapidetyt sähkötyökalut aiheuttavat onnettomuuksia.

f) **Pidä leikkaavat pinnat terävinä ja puhtaina.** Kunnossa pidettyjen leikkaavia teräviä reunoja sisältävien työkalut todennäköisyys jumiuutua vähenee, ja niitä on helpompi hallita.

g) **Käytä sähkötyökalua ja sen tarvikkeita, kuten poranteriä, näiden ohjeiden mukaisesti. Ota työskentelyolosuhteet ja tehtävä työ huomioon.** Jos sähkötyökalua käytetään näiden ohjeiden vastaisesti, voi syntyä vaaratilanne.

h) **Pidä kahvat ja tartuntapinnat kuivina, puhtaina sekä öljyttömänä ja rasvattomina.** Liukkaat kahvat ja pinnat heikentävät työkalun hallinnan ja ohjauksen turvallisuutta odottamattomissa tilanteissa.

5) Huolto

a) **Korjauta työkalu valtuutetulla asentajalla. Varaosina on käytettävä vain alkuperäisiä vastaavia osia.** Tämä varmistaa sähkötyökalun turvallisuuden.

Turvaohjeet kaikkia toimintoja käytettäessä

- **Käytä kuulosuojia, kun käytät iskuporaa.** Melulle altistuminen voi aiheuttaa kuulon menetyksen.
- **Käytä apukahvoja.** Hallinnan menetys voi aiheuttaa henkilövahingon.
- **Tartu työkaluun hyvällä otteella ennen käyttöä.** Tämä työkalu tuottaa suuren momentin, mikä voi johtaa hallinnan menetykseen ja henkilövahinkoihin, mikäli työkalusta ei pidetä hyvin kiinni.
- **Sähkötyökalua eristetyistä tartuntapinnoista tehdessä työtä, jossa laikka voi osua piilossa oleviin sähköjohtoihin tai omaan virtajohtoonsa.** Terien osuminen jännitteiseen johtoon tekee sen paljaista metalliosista jännitteisiä, joten käyttäjä voi saada sähköiskun.

Turvallisuusohjeet pitkiä poranteriä käyttäessä

- **Älä koskaan ylitä poran terän määritettyä maksiminopeutta.** Suuremmilla nopeuksilla terä voi taipua ja aiheuttaa henkilövahinkoja, jos sen annetaan pyöriä vapaasti työstökappaleesta irti.
- **Aloita poraus aina alhaisella nopeudella poran terän koskettaessa työstökappaleeseen.** Suuremmilla nopeuksilla terä voi taipua ja aiheuttaa henkilövahinkoja, jos sen annetaan pyöriä vapaasti työstökappaleesta irti.
- **Kohdistat terään voimaa vain suorassa linjassa välttämällä liiallista painetta.** Terät voivat taipua ja aiheuttaa murtumisen tai hallinnan menetyksen, mikä voi johtaa henkilövahinkoihin.

Lisäturvaohjeet porille/ruuvinvääntimille/iskuporille

- Käytä puristimia tai muuta käytännöllistä tapaa kiinnittää ja tukea työkappale tukevalle alustalle. Työstökappaleen pitäminen käsin tai vartalona vasten on epävakaata ja saattaa johtaa kontrollin menetykseen.
- Lisävarusteet ja työkalu voivat kuumentua käytön aikana. Käytä suojakäsineitä niiden käsittelyn aikana, jos käytät työkalua lämpöä tuottaviin toimintoihin, kuten metallien poraukseen.
- Ilmanvaihtoaukkoja ei saa peittää. Löysät vaatteet, korut tai pitkät hiukset voivat tarttua liikkuviin osiin.
- Käytä suojalaseja tai muita silmäsuojia. Iskuporaus ja poraaminen voivat aiheuttaa lastujen lentämisen. Lentävät kappaleet voivat aiheuttaa pysyvän silmävaurion.
- Käytä kuulosuojia, kun käytät iskuporaa. Melulle altistuminen voi aiheuttaa kuulon menetyksen.
- Käytä lisäkahvoja, jos ne on toimitettu työkalun mukana. Hallinnan menetys voi aiheuttaa henkilövahingon.
- Älä käytä tätä työkalua pitkiä aikoja yhtäjaksoisesti. Työkalun iskutoiminnan aiheuttama värinä voi olla haitallista käsillesi ja käsivarsillesi. Käytä käsineitä tarjoamaan lisäpehmustetta ja rajoita altistumista värinälle pitämällä taukoja.

Muiden henkilöiden turvallisuus

- Tämä laite soveltuu yli 8-vuotiaiden lasten ja sellaisten henkilöiden käyttöön, joilla on fyysisiä tai älyllisiä rajoitteita tai aistirajoitteita, kuten myös laitteen toimintaan perehtymättömien henkilöiden käyttöön, jos heitä valvotaan tai jos he ovat saaneet laitteen turvalliseen käyttöön liittyvää opastusta ja ymmärtävät laitteen käyttöön liittyvät vaarat.
- Älä anna lasten leikkiä laitteella. Puhdistus- ja huoltotöt eivät saa jättää lapsille ilman valvontaa.

Jännönsriskit

Myös muut kuin turvavaroituksissa mainitut riskit ovat mahdollisia laitetta käytettäessä. Nämä riskit voivat liittyä muun muassa virheelliseen tai pitkäaikaiseen käyttöön.

Tiettyjä jännönsriskkejä ei voi välttää, vaikka noudatat kaikkia turvamääräyksiä ja käytät turvalaitteita. Näitä ovat:

- Pyörievien tai liikkuvien osien koskettamisen aiheuttamat vahingot.
- Osia, teriä tai lisävarusteita vaihdettaessa aiheutuneet vahingot.
- Työkalun pitkäaikaisen käytön aiheuttamat vahingot. Varmista, että pidät säännöllisesti taukoja laitteen pitkäaikaisen käytön aikana.
- Kuulun heikkeneminen.
- Työkalua käytettäessä (esimerkiksi puuta, erityisesti tammea, pyökkiiä ja MDF-levyjä) syntyneen pölyn sisäanhengityksen aiheuttamat terveysriskit.

Tärinä

Teknisissä tiedoissa ja vaatimustenmukaisuusvakuutuksessa ilmoitettu tärinäpäästöarvo on mitattu EN62841-standardin testausmenetelmän mukaisesti, ja arvoa voi käyttää työkalujen keskinäiseen vertailuun. Ilmoitettu tärinäpäästöarvoa voi käyttää myös altistumisen alustavaan arviointiin.

▲ VAROITUS! Sähkötyökalun käytön aikana mitattu todellinen tärinäpäästöarvo voi poiketa ilmoitetusta tärinäpäästöarvosta työkalun käyttötavan mukaan. Tärinätasoa voi olla ilmoitettua tasoa suurempi.

Kun tärinälle altistumista arvioidaan sen määrittämiseksi, mitä direktiivin 2002/44/EY mukaisia turvatoimenpiteitä vaaditaan sähkötyökaluja säännöllisesti käyttävien henkilöiden suojelemiseksi, tärinälle altistumisen arvioinnissa on otettava huomioon todelliset käyttöolosuhteet ja työkalun käyttötavat. Todellisen käytön lisäksi on kiinnitettävä huomiota myös siihen, milloin työkalu on sammutettuna tai se käy tyhjäkäynnillä.

Työkalun tarrat

Työkaluun on merkitty päivämääräkoodi sekä seuraavat varoitusmerkinnot:



VAROITUS! Käyttäjän on luettava käyttöohje vahinkojen välttämiseksi.

Sähköturvallisuus



Tämä laite on kaksoiseristetty, joten erillistä maadoitusta ei tarvita. Tarkista aina, että verkkovirran jännite vastaa tyyppikilpeen merkittyä jännitettä.

- Jos virtajohto vahingoittuu, sen vaihtaminen on turvallisuussyistä jätettävä valmistajan tai valtuutetun BLACK+DECKER-huollon tehtäväksi.

Ominaisuudet (Kuva [Fig.] A)

Tämä työkalu sisältää kaikki seuraavat ominaisuudet tai vain joitakin niistä.

- 1 Säädettävä nopeuskytkin
- 2 Lukituspainike
- 3 Suunnanvaihtokytkin
- 4 Poraustilan valitsin
- 5 stukka
- 6 Istukan lukitus
- 7 Sivukahva

ASENNUS

▲ VAROITUS! Varmista ennen kokoamista, että virta on katkaistu ja että virtajohto on irti pistorasiasta.

Sivukahvan kiinnittäminen (Kuva B)

- Kierrä nuppia **7C** vastapäivään, kunnes voit työntää sivukahvan **7** työkalun eteen kuvan osoittamalla tavalla.
- Kierrä sivukahva haluamaasi asentoon ja varmista, että urat **7A** kytkeytyvät hammaspyörään **7B**.
- Kiristä sivukahva kiertämällä nuppia **7C** myötäpäivään.

HUOMAA: sivukahva voidaan asettaa halutessa paikoilleen.

Lisävarusteen kiinnittäminen (Kuva C)

- Paina istukan lukitusta **6**.
- Avaa istukka **5** kiertämällä holkkia vastapäivään.
- Työnnä terän varsi **8** istukkaan.
- Kiristä istukka kiertämällä holkkia myötäpäivään.

KÄYTTÖ

▲ VAROITUS! Anna työkalun käydä omaan tahtiinsa. Älä ylikuormita sitä.

▲ VAROITUS! Ennen kuin poraat seinäiä, lattioita tai kattoja, tarkista sähköjohtojen ja putkien sijainti.

Käynnistäminen ja pysäyttäminen (Kuva D, G)

- Käynnistä työkalu painamalla nopeudensäätökytkintä **1**. Työkalun nopeus määräytyy sen mukaan, kuinka pitkälle kytkintä työnnetään.
- Jatkuvaa käyttöä varten paina lukituspainiketta **2** ja vapautu nopeudensäätökytkin. Tämä vaihtoehto ei toimi taaksepäin.
- Sammuta työkalu vapauttamalla nopeudensäätökytkin. Sammuta työkalu jatkuvan käytön aikana painamalla nopeudensäätökytkintä uudelleen ja vapauttamalla se. Pitele työkalua aina Kuvat D ja G osoittamalla tavalla.

Pyörimissuunnan valitseminen (Kuva E)

- Käytä poraamiseen ja ruuvien kiristämiseen eteenpäin suuntautuvaa pyörimisliikettä (myötäpäivään). Käytä ruuvien irrottamiseen tai jumiutuneen poran terän irrottamiseen taaksepäin suuntautuvaa pyörimisliikettä (vastapäivään).
- Valitse pyörimissuunta eteenpäin työntämällä eteen-/taaksepäin-liukusäädintä **3** vasemmalle.
 - Valitse pyörimissuunta taaksepäin työntämällä eteen-/taaksepäin-liukusäädintä oikealle.

▲ VAROITUS! Pyörimissuuntaa ei saa vaihtaa moottorin käydessä.

Poraustilan valitseminen (Kuva F)

- Kun iskuporaat kivimateriaalia tai betonia, aseta poraustilan valitsin **4** asentoon **T**.
- Kun poraat terästä, puuta ja muovia tai ruuvaat ruuvia, aseta toimintatilan valitsin **4** asentoon **1**.

Lisävarusteet

Työkalun suorituskyky riippuu käytetystä lisävarusteesta. Korkealaatuiset BLACK+DECKER-lisävarusteet on suunniteltu parantamaan työkalun suorituskykyä. Käyttämällä näitä lisävarusteita saat työkalustasi parhaan hyödyn.

HUOLTO

Verkkajohdolla varustettu tai verkkojohdoton BLACK+DECKER-laite on suunniteltu toimimaan mahdollisimman kauan mahdollisimman vähällä huollolla. Oikea käsittely ja säännöllinen puhdistus varmistavat laitteen ongelmattoman toiminnan.

▲ VAROITUS! Ennen verkkojohdolla varustetun tai verkkojohdotoman sähkötyökalun huoltoa toimi seuraavasti:

- Sammuta laite/työkalu ja irrota se verkkovirrasta.
- Jos laitteessa/työkalussa on erillinen akku, sammuta laite/työkalu ja irrota sen akku.
- Jos akku on kiinteä, käytä akku täysin loppuun ja sammuta laite sitten.
- Irrota laturi pistorasiasta ennen laturin puhdistamista. Laturi ei tarvitse säännöllisen puhdistamisen lisäksi mitään muuta huoltoa.
- Puhdista laitteen/työkalun/laturin ilma-aukot säännöllisesti pehmeällä harjalla tai kuivalla kangasliinalla.
- Puhdista moottorin kotelo säännöllisesti kostealla liinalla. Älä käytä hankaavia tai liuotinpohjaisia puhdistusaineita.
- Avaa istukka säännöllisesti ja naputtele pöly pois sen sisältä (soveltuvin osin).

Ympäristönsuojelu



Toimita tämä laite erilliskeräykseen. Tällä symbolilla merkityt tuotteet ja akkuja ei saa hävittää tavallisen kotitalousjätteen mukana. Tuotteissa ja akuissa on materiaaleja, jotka voidaan ottaa talteen tai kierrättää uudelleen käyttöä varten.

Kierrätä sähkölaitteet ja akut paikallisten määräyksien mukaan. Lisätietoa on saatavilla osoitteessa www.2helpU.com.

Tekniset tiedot

		BEH550 Tyyppi2	BEH710 Tyyppi2
Jännite	V _{ac}	230	230
Ottoteho	W	550	710
Kuormittamaton nopeus	min ⁻¹	0 ~ 2800	0 ~ 2800
Iskutaajuus	min ⁻¹	0 ~ 47600	0 ~ 47600
Paino	kg	1,7	1,76
Suurin mahdollinen porausteho			
Betoni	mm	13	13
Teräs	mm	13	13
Puu	mm	25	25

BEH550 Äänenpainetaso standardin EN 62841 mukaisesti:

Äänenpaine (L_{pa}) 96,5 dB(A), epävarmuus (K) 5 dB(A)

Äänitehotaso (L_{wa}) 104,5 dB(A), epävarmuus (K) 5 dB(A)

BEH710 Äänenpainetaso standardin EN 62841 mukaisesti:

Äänenpaine (L_{pa}) 98,5 dB(A), epävarmuus (K) 5 dB(A)

Äänitehotaso (L_{wa}) 106,5 dB(A), epävarmuus (K) 5 dB(A)

BEH550 Tärinän kokonaisarvot (vektorisumma) standardin EN 62841 mukaisesti:

Iskuporattaessa betonia (a_{h,ip}) 14,8 m/s², epävarmuus (K) 1,5 m/s²

Porattaessa metallia (a_{h,p}) 1,8 m/s², epävarmuus (K) 1,5 m/s²

BEH710 Tärinän kokonaisarvot (vektorisumma) standardin EN 62841 mukaisesti:

Iskuporattaessa betonia (a_{h,ip}) 16,2 m/s², epävarmuus (K) 1,5 m/s²

Porattaessa metallia (a_{h,p}) 1,9 m/s², epävarmuus (K) 1,5 m/s²

EY-vaatimustenmukaisuusvakuutus

KONEDIREKTIIVI



BEH550, BEH710 Iskuporakone

Black & Decker ilmoittaa, että tuotteet, jotka on kuvattu kohdassa Tekniset tiedot, täyttävät seuraavien direktiivien vaatimukset:

2006/42/EC, EN 62841-1:2015+A11:2022,

EN 62841-2-1:2018+A11:2019+A1:2022+A12:2022

Nämä tuotteet täyttävät myös direktiivien 2014/30/EU ja 2011/65/EU vaatimukset. Lisätietoja saa ottamalla yhteyden Black & Deckeriin seuraavassa osoitteessa. Tiedot ovat myös käyttöohjeen takakannessa.

Allekirjoittaja vastaa teknisistä tiedoista ja antaa tämän vakuutuksen seuraavaan yhtiön puolesta:

Black & Deckerin puolesta.

Patrick Diepenbach
Pääjohtaja, Benelux
Black and Decker,
Egide Walschaertsstraat 14-18
2800 Mechelen, Belgia
02/08/2023

Takuu

Black & Decker on vakuuttanut tuotteidensa korkeasta laadusta ja tarjoaa kuluttajille 24 kuukauden takuun, joka astuu voimaan ostopäivänä. Takuu on lisäys kuluttajan laillisiin oikeuksiin eikä vaikuta niihin. Tämä takuu on voimassa kaikissa EU- ja ETA-maissa sekä Isossa-Britanniassa.

Edellytyksenä takuun saamiselle on, että vaade täyttää Black & Deckerin ehdot ja että ostaja toimittaa ostotositteen jälleenmyyjälle tai valtuutetulle huoltoliikkeelle.

Black & Deckerin kahden vuoden takuun ehdot ja lähimmän valtuutetun korjauspalvelun yhteystiedot ovat saatavilla osoitteessa **www.2helpU.com** tai ottamalla yhteyttä paikalliseen Black & Deckerin toimipisteeseen tässä ohjekirjassa ilmoitettuihin osoitteisiin.

Käy verkkosivuiltamme osoitteessa **www.blackanddecker.eu** ja rekisteröi uusi Black & Decker -tuotteesi saadaksesi tietoa uusista tuotteista ja erikoistarjouksista.

Προβλεπόμενη Χρήση

Το κρουστικό σας δρόπανο BLACK+DECKER BEH550, BEH710, έχει σχεδιαστεί για τη διάτρηση ξύλου, μετάλλου, πλαστικών και ειδών τοιχοποιίας, καθώς και για εφαρμογές βιδώματος. Αυτό το εργαλείο προορίζεται μόνο για ερασιτεχνική χρήση.

ΓΕΝΙΚΕΣ ΠΡΟΕΙΔΟΠΟΙΗΣΕΙΣ ΑΣΦΑΛΕΙΑΣ ΓΙΑ ΤΑ ΗΛΕΚΤΡΙΚΑ ΕΡΓΑΛΕΙΑ

▲ ΠΡΟΕΙΔΟΠΟΙΗΣΗ: Διαβάστε όλες τις προειδοποιήσεις ασφαλείας, τις οδηγίες, τις απεικονίσεις και τις προδιαγραφές που συνοδεύουν αυτό το ηλεκτρικό εργαλείο. Η μη τήρηση οποιασδήποτε από τις οδηγίες που αναφέρονται πιο κάτω μπορεί να έχει ως αποτέλεσμα ηλεκτροπληξία, πυρκαγιά και/ή σοβαρό τραυματισμό.

ΔΙΑΤΗΡΗΣΕ ΤΙΣ ΠΡΟΕΙΔΟΠΟΙΗΣΕΙΣ ΚΑΙ ΤΙΣ ΟΔΗΓΙΕΣ ΓΙΑ ΜΕΛΛΟΝΤΙΚΗ ΑΝΑΦΟΡΑ

Ο όρος «ηλεκτρικό εργαλείο» σε όλες τις προειδοποιήσεις, αναφέρεται σε εργαλείο που τροφοδοτείται με ρεύμα από το ηλεκτρικό δίκτυο (με καλώδιο) ή σε εργαλείο που λειτουργεί με μπαταρία (αυτάματο).

1) Ασφάλεια χώρου εργασίας

α) Διατηρείτε το χώρο εργασίας καθαρό και καλά φωτισμένο. Οι μη τακτοποιημένοι ή σκοτεινοί χώροι, αποτελούν αιτία ατυχημάτων.

β) Μη λειτουργείτε τα ηλεκτρικά εργαλεία σε εκρηκτικές ατμόσφαιρες, όπως όταν υπάρχουν εύφλεκτα υγρά, αέρια ή σκόνη. Τα ηλεκτρικά εργαλεία δημιουργούν σπινθήρες που μπορούν να προκαλέσουν ανάφλεξη στη σκόνη ή τις αναθυμιάσεις.

γ) Απομακρύνετε τα παιδιά και άλλα παρευρισκόμενα άτομα όταν χρησιμοποιείτε ένα ηλεκτρικό εργαλείο. Η απόσπαση της προσοχής σας μπορεί να έχει ως αποτέλεσμα την απώλεια ελέγχου.

2) Ηλεκτρική ασφάλεια

α) Τα βύσματα των ηλεκτρικών εργαλείων πρέπει να ταιριάζουν με τις πρίζες. Μην τροποποιείτε ποτέ το βύσμα με οποιονδήποτε τρόπο. Μη χρησιμοποιείτε τυχόν βύσματα προσαρμογής με γειωμένα (με γειώσιμους εδάφους) ηλεκτρικά εργαλεία. Με μη τροποποιημένα βύσματα και κατάλληλες πρίζες ελαττώνεται ο κίνδυνος ηλεκτροπληξίας.

β) Αποφεύγετε την επαφή του σώματός σας με γειωμένες επιφάνειες όπως σωλήνες, καλοριφέρ, εστίες κουζίνας και ψυγεία. Ο κίνδυνος ηλεκτροπληξίας αυξάνεται όταν το σώμα σας είναι γειωμένο.

γ) Μην εκθέτετε τα ηλεκτρικά εργαλεία στη βροχή ή σε συνθήκες υγρασίας. Η είσοδος νερού σε ηλεκτρικό εργαλείο αυξάνει τον κίνδυνο ηλεκτροπληξίας.

δ) Μην κατακλύετε υπερβολικά το καλώδιο. Μη χρησιμοποιείτε ποτέ το καλώδιο για τη μεταφορά, το τράβηγμα ή την ασυνδύεση του ηλεκτρικού εργαλείου. Κρατήστε το καλώδιο μακριά από θερμότητα, λάδι, αιχμηρές ακμές και κινούμενα μέρη. Καλώδια που έχουν υποστεί ζημιά ή περιπλεγμένα καλώδια αυξάνουν τον κίνδυνο ηλεκτροπληξίας.

ε) Όταν χρησιμοποιείτε ένα ηλεκτρικό εργαλείο σε εξωτερικό χώρο, να χρησιμοποιείτε μόνο καλώδια προέκτασης που είναι κατάλληλα για χρήση σε εξωτερικό χώρο. Η χρήση καλωδίου κατάλληλου για χρήση σε εξωτερικό χώρο ελαττώνει τον κίνδυνο ηλεκτροπληξίας.

στ) Εάν είναι αναπόφευκτη η λειτουργία ηλεκτρικού εργαλείου σε χώρο με υψηλή υγρασία, χρησιμοποιήστε

παροχή ηλεκτροδότησης με προστασία από ρεύματα διαρροής (RCD). Η χρήση μιας διάταξης RCD ελαττώνει τον κίνδυνο ηλεκτροπληξίας.

3) Προσωπική ασφάλεια

α) Παραμείνετε σε εγρήγορση, προσέχετε τι κάνετε και χρησιμοποιείτε την κοινή λογική κατά τη χρήση ενός ηλεκτρικού εργαλείου. Μη χρησιμοποιείτε οποιοδήποτε ηλεκτρικό εργαλείο εάν είστε κουρασμένος(-η) ή υπό την επίρεια ναρκωτικών, αλκοόλ ή φαρμακευτικής αγωγής. Μια μόνο στιγμή απόσπασης της προσοχής σας καθώς χειρίζεστε ηλεκτρικά εργαλεία, μπορεί να προκαλέσει σοβαρό προσωπικό τραυματισμό.

β) Χρησιμοποιείτε ατομικό προστατευτικό εξοπλισμό. Να φοράτε πάντοτε προστατευτικά γυαλιά. Η χρήση προστατευτικού εξοπλισμού όπως μάσκα για τη σκόνη, αντιβιοηχητικών υποδημάτων, κράνους ή προστατευτικών ακουστικών για τις ανάλογες συνθήκες, θα ελαττώσει τους προσωπικούς τραυματισμούς.

γ) Αποτρέψτε τυχόν ακούσια εκκίνηση του εργαλείου. Βεβαιωθείτε ότι ο διακόπτης βρίσκεται στη θέση Off προτού συνδέσετε το εργαλείο στην πρίζα ή/και στην μπαταρία, καθώς και προτού σηκώσετε ή μεταφέρετε το εργαλείο. Η μεταφορά ηλεκτρικών εργαλείων με το δάκτυλό σας στο διακόπτη ή η σύνδεση στην πρίζα εργαλείων με το διακόπτη στη θέση On ενέχουν κίνδυνο ατυχήματος.

δ) Αφαιρέστε οποιοδήποτε κλειδί ή ρυθμιστικό κλειδί προτού ενεργοποιήσετε το ηλεκτρικό εργαλείο. Ένα κλειδί ή ρυθμιστικό κλειδί που έχει αφαιρεθεί προσαρτημένο σε κινητό τμήμα του ηλεκτρικού εργαλείου, μπορεί να προκαλέσει προσωπικό τραυματισμό.

ε) Μην προσπαθήσετε να φτάσετε απομακρυσμένα σημεία. Φροντίστε να έχετε πάντοτε την κατάλληλη στάση και να διατηρείτε την ισορροπία σας. Κατ' αυτόν τον τρόπο θα έχετε καλύτερο έλεγχο του εργαλείου σε απροσδόκητες καταστάσεις.

στ) Να είστε ντυμένοι κατάλληλα. Μην φοράτε φαρδιά ενδύματα ή κοσμήματα. Διατηρείτε τα μαλλιά και τα ενδύματα και τα γάντια σας μακριά από κινούμενα μέρη. Τα φαρδιά ενδύματα, τα κοσμήματα ή τα μακριά μαλλιά μπορεί να εμπλακούν στα κινούμενα μέρη.

η) Εάν οι συσκευές παρέχονται με σύνδεση συστημάτων αφαίρεσης και συλλογής σκόνης, φροντίστε τα συστήματα αυτά να είναι συνδεδεμένα και να χρησιμοποιούνται κατάλληλα. Η χρήση συστήματος συλλογής σκόνης μπορεί να ελαττώσει τους κινδύνους που σχετίζονται με τη σκόνη.

θ) Μην αφήνετε την εξοικείωση που έχετε αποκτήσει από τη συχνή χρήση εργαλείων να σας επιτρέψει να εφησυχάσετε και να αγνοείτε τις αρχές ασφαλούς χρήσης των εργαλείων. Μια απρόσμενη ενέργεια μπορεί να προκαλέσει βαρύ τραυματισμό μέσα σε κλάσματα του δευτερολέπτου.

4) Χρήση και φροντίδα των ηλεκτρικών εργαλείων

α) Μη ζορίζετε το ηλεκτρικό εργαλείο. Χρησιμοποιείτε το κατάλληλο εργαλείο ανάλογα με την εφαρμογή. Η εργασία θα πραγματοποιηθεί με καλύτερο και πιο ασφαλή τρόπο όταν εκτελείται από το σωστά επιλεγμένο ηλεκτρικό εργαλείο με τον προβλεπόμενο ρυθμό.

β) Μη χρησιμοποιείτε το εργαλείο εάν ο διακόπτης δεν μεταβαίνει στις θέσεις On (Ενεργοποίηση) και Off (Απενεργοποίηση). Οποιοδήποτε εργαλείο δεν μπορεί να ελεγχθεί μέσω του διακόπτη του, είναι επικίνδυνο και πρέπει να επισκευαστεί.

γ) **Αποσυνδέστε το φως από την πηγή ρεύματος και/ή το πακέτο μπαταρίας, αν είναι αποσπώσιμο, από το ηλεκτρικό εργαλείο, πριν διεξαγάγετε οποιαδήποτε ρύθμιση, αλλαγή εξαρτήματος ή όταν πρόκειται να αποθηκεύσετε το ηλεκτρικό εργαλείο.** Αυτού του είδους τα μέτρα ασφαλείας ελαττώνουν τον κίνδυνο τυχαίας θέσης σε λειτουργία του ηλεκτρικού εργαλείου.

δ) **Αποθηκεύετε τα ηλεκτρικά εργαλεία που δεν χρησιμοποιείτε μακριά από μέρη όπου μπορούν να τα προσεγγίσουν παιδιά και μην επιτρέπετε τη χρήση του ηλεκτρικού εργαλείου από άτομα που δεν είναι εξοικειωμένα με αυτό ή με τις οδηγίες χρήσης του.** Τα ηλεκτρικά εργαλεία είναι επικίνδυνα όταν χρησιμοποιούνται από μη εκπαιδευμένους χειριστές.

ε) **Συντηρείτε τα ηλεκτρικά εργαλεία. Ελέγξτε για τυχόν εσφαλμένη ευθυγράμμιση ή ενσφήνωση κινούμενων μερών, για τυχόν θραύση εξαρτημάτων και για τυχόν άλλες καταστάσεις που μπορεί να επηρεάσουν τη λειτουργία του ηλεκτρικού εργαλείου. Εάν το ηλεκτρικό εργαλείο έχει υποστεί ζημιά, φροντίστε για την επισκευή του πριν το χρησιμοποιήσετε.** Πολλά ατυχήματα έχουν προκληθεί από ηλεκτρικά εργαλεία που δεν έχουν συντηρηθεί κατάλληλα.

στ) **Διατηρείτε τα εργαλεία κοπής αιχμηρά και καθαρά.** Τα κατάλληλα συντηρημένα εργαλεία κοπής με αιχμηρά άκρα κοπής έχουν μικρότερες πιθανότητες λυγίσματος κατά τη λειτουργία και ελέγχονται ευκολότερα.

η) **Χρησιμοποιείτε το ηλεκτρικό εργαλείο, τα παρελκόμενα και τα τρυπάνια κ.λπ. σύμφωνα με τις παρούσες οδηγίες, λαμβάνοντας υπόψη τις συνθήκες εργασίας και την εργασία που πρόκειται να πραγματοποιηθεί.** Η χρήση ενός ηλεκτρικού εργαλείου για εργασίες διαφορετικές από αυτές για τις οποίες προορίζεται, μπορεί να οδηγήσει σε επικίνδυνη κατάσταση.

θ) **Διατηρείτε τις λαβές και τις επιφάνειες κρατήματος στεγνές, καθαρές και απαλλαγμένες από λάδι και γράσο.** Οι ολισθηρές λαβές και επιφάνειες κρατήματος δεν επιτρέπουν τον ασφαλή χειρισμό και έλεγχο του εργαλείου σε μη αναμενόμενες καταστάσεις.

5) Συντήρηση (Σέρβις)

α) **Φροντίζετε τη συντήρηση του ηλεκτρικού εργαλείου να πραγματοποιείται από πιστοποιημένο για επισκευές άτομο, με τη χρήση μόνο πανομοιότυπων ανταλλακτικών.** Κατ' αυτό τον τρόπο εξασφαλίζεται η ασφάλεια του ηλεκτρικού εργαλείου.

Οδηγίες ασφαλείας για όλες τις εργασίες

- **Φοράτε προστατευτικά ακοής κατά την κρουστική διάτρηση.** Η έκθεση σε θόρυβο μπορεί να προκαλέσει απώλεια ακοής.

- **Χρησιμοποιείτε τη βοηθητική λαβή (ή λαβές).** Η απώλεια ελέγχου μπορεί να προκαλέσει τραυματισμό.

- **Συγκρατήστε σωστά το εργαλείο πριν τη χρήση.** Αυτό το εργαλείο παράγει υψηλή ροπή εκόδου και αν δεν συγκρατείτε σωστά το εργαλείο κατά τη λειτουργία μπορεί να προκύψει απώλεια ελέγχου με αποτέλεσμα τραυματισμό σας.

- **Κρατάτε το ηλεκτρικό εργαλείο μόνο από μονωμένες επιφάνειες κρατήματος, όταν εκτελείτε κάποια εργασία κατά την οποία το αξεσουάρ κοπής μπορεί να έρθει σε επαφή με αθέρτα καλώδια ή με το δικό του καλώδιο.** Ένα αξεσουάρ κοπής το οποίο έρχεται σε επαφή με ηλεκτροφόρο καλώδιο μπορεί να καταστήσει ηλεκτροφόρο και τα εκτεθειμένα μεταλλικά μέρη του ηλεκτρικού εργαλείου και να προκαλέσει ηλεκτροπληξία στο χειριστή του.

Οδηγίες ασφαλείας για την περίπτωση χρήσης τρυπανιών μεγάλου μήκους

- **Ποτέ μη χρησιμοποιείτε ταχύτητα υψηλότερη από τη μέγιστη ονομαστική ταχύτητα του τρυπανιού.** Σε υψηλότερες ταχύτητες, το τρυπάνι είναι πιθανό να λυγίσει αν επιτραπεί να περιστραφεί ελεύθερα χωρίς να είναι σε επαφή με το αντικείμενο εργασίας, με αποτέλεσμα τραυματισμό.

- **Πάντα να ξεκινάτε τη διάτρηση σε χαμηλή ταχύτητα και με τη μύτη του τρυπανιού σε επαφή με το αντικείμενο εργασίας.** Σε υψηλότερες ταχύτητες, το τρυπάνι είναι πιθανό να λυγίσει αν επιτραπεί να περιστραφεί ελεύθερα χωρίς να είναι σε επαφή με το αντικείμενο εργασίας, με αποτέλεσμα τραυματισμό.

- **Εφαρμόζετε πίεση μόνο σε ευθεία γραμμή με το τρυπάνι και μην εφαρμόζετε υπερβολική πίεση.** Τα τρυπάνια μπορεί να λυγίσουν προκαλώντας θραύση ή απώλεια του ελέγχου με αποτέλεσμα τραυματισμό.

Πρόσθετες προειδοποιήσεις ασφαλείας για δράπανο/κατσαβίδι/ κρουστικό δράπανο

- Χρησιμοποιείτε σφιγκτήρες ή άλλο πρακτικό τρόπο για να στερεώνετε και να στηρίζετε το αντικείμενο εργασίας σε σταθερό υπόβαθρο. Αν κρατάτε το αντικείμενο εργασίας με το χέρι σας ή κόντρα στο σώμα σας, αυτό δεν είναι επαρκές και μπορεί να προκληθεί απώλεια ελέγχου.

- Τα αξεσουάρ και το εργαλείο μπορεί να αποκτήσουν υψηλή θερμοκρασία κατά τη λειτουργία. Φοράτε γάντια όταν τα χειρίζεστε, αν εκτελείτε εργασίες κατά τις οποίες παράγεται θερμότητα όπως η διάτρηση μετάλλων.

- Τα ανοίγματα αερισμού συχνά καλύπτουν κινούμενα μέρη και θα πρέπει να αποφεύγονται. Τα φαρδιά ρούχα, τα κοσμητήρια και τα μακριά μαλλιά μπορούν να πιαστούν σε κινούμενα μέρη.

- Φοράτε γυαλιά ασφαλείας ή άλλη προστασία των ματιών. Οι εργασίες κρούσης και διάτρησης προκαλούν την εκτίναξη θραυσμάτων. Τα εκτινασόμενα σωματίδια μπορούν να προκαλέσουν μόνιμη βλάβη στα μάτια.

- Φοράτε προστατευτικά ακοής κατά την κρουστική διάτρηση. Η έκθεση σε θόρυβο μπορεί να προκαλέσει απώλεια ακοής.

- Χρησιμοποιείτε τη(τις) βοηθητική(-ές) λαβή(-ές) αν παρέχεται(-ονται) μαζί με το εργαλείο. Η απώλεια ελέγχου μπορεί να προκαλέσει τραυματισμό.

- Μην χρησιμοποιείτε το εργαλείο αυτό για παρατεταμένα χρονικά διαστήματα. Οι κραδασμοί που προκαλούνται από τη δράση του εργαλείου μπορεί να είναι επιβλαβείς για τα χέρια και τους βραχίονές σας. Χρησιμοποιείτε γάντια για πρόσθετη προστατευτική δράση και περιορίζετε την έκθεση κάνοντας συχνά διαλείμματα ξεκούρασης.

Ασφάλεια τρίτων

- Αυτή η συσκευή μπορεί να χρησιμοποιηθεί από παιδιά ηλικίας 8 ετών και άνω καθώς και από άτομα με μειωμένες σωματικές, αισθητηριακές ή διανοητικές ικανότητες ή άτομα χωρίς εμπειρία και γνώσεις, μόνο εφόσον επιτηρούνται ή τους έχουν δοθεί οδηγίες σχετικά με την ασφαλή χρήση της συσκευής και έχουν κατανοήσει τους πιθανούς κινδύνους.

- Τα παιδιά δεν πρέπει να παίζουν με τη συσκευή. Ο καθαρισμός και η συντήρηση από το χρήστη δεν πρέπει να γίνονται από παιδιά χωρίς επίβλεψη.

Υπολειπόμενοι κίνδυνοι

Κατά τη χρήση του εργαλείου μπορεί να δημιουργηθούν πρόσθετοι υπολειπόμενοι κίνδυνοι, οι οποίοι ενδέχεται να μη συμπεριλαμβάνονται στις προειδοποιήσεις ασφαλείας που

εσωκλείονται. Αυτοί οι κίνδυνοι μπορεί να προκληθούν από κακή χρήση, παρατεταμένη χρήση κλπ.

Παρά την εφαρμογή των σχετικών κανονισμών ασφαλείας και τη χρήση διατάξεων ασφαλείας, ορισμένοι υπολειπόμενοι κίνδυνοι δεν είναι δυνατόν να αποφευχθούν. Σε αυτούς περιλαμβάνονται:

- Τραυματισμοί από την επαφή με οποιαδήποτε περιστρεφόμενη/κινούμενα μέρη.
- Τραυματισμοί από αλλαγή οποιωνδήποτε εξαρτημάτων, λεπίδων ή αξεσουάρ.
- Σωματικές βλάβες από παρατεταμένη χρήση εργαλείου. Όταν χρησιμοποιείτε οποιοδήποτε εργαλείο για παρατεταμένα χρονικά διαστήματα, μην παραλείπετε με κανένα τρόπο να κάνετε τακτικά διαλείμματα.
- Βλάβη της ακοής.
- Κίνδυνοι για την υγεία λόγω εισπνοής σκόνης που αναπτύσσεται κατά τη χρήση του εργαλείου (παραδείγματα: - εργασία με ξύλο, ειδικά βελανιδιά, οξιά και MDF).

Κραδασμοί

Η δηλωμένη τιμή εκπομπής κραδασμών που αναφέρεται στα **τεχνικά χαρακτηριστικά** και τη **δήλωση συμμόρφωσης** έχει μετρηθεί σύμφωνα με τυποποιημένη μέθοδο δοκιμής που προβλέπεται από το πρότυπο EN62841 και μπορεί να χρησιμοποιηθεί για τη σύγκριση ενός εργαλείου με ένα άλλο. Η δηλωμένη τιμή εκπομπής κραδασμών μπορεί επίσης να χρησιμοποιηθεί σε έναν προκαταρκτικό προσδιορισμό της έκθεσης σε κραδασμούς.

▲ ΠΡΟΕΙΔΟΠΟΙΗΣΗ! Στην πράξη, η τιμή εκπομπής κραδασμών κατά την χρήση του ηλεκτρικού εργαλείου μπορεί να διαφέρει από την τιμή που δηλώθηκε, ανάλογα με τον τρόπο που χρησιμοποιείται το εργαλείο. Το επίπεδο κραδασμών μπορεί να αυξηθεί πάνω από το επίπεδο που έχει δηλωθεί.

Κατά τον προσδιορισμό της έκθεσης σε κραδασμούς για τον καθορισμό των απαιτούμενων μέτρων ασφαλείας σύμφωνα με την οδηγία 2002/44/ΕΚ για την προστασία προσώπων που χρησιμοποιούν συχνά ηλεκτρικά εργαλεία στην εργασία τους, μια προσεγγιστική εκτίμηση της έκθεσης σε κραδασμούς πρέπει να λαμβάνει υπόψη τις πραγματικές συνθήκες χρήσης και τον τρόπο χρήσης του εργαλείου, συμπεριλαμβανομένων και όλων των επιμέρους τμημάτων του κύκλου εργασίας, όπως τα χρονικά διαστήματα που το εργαλείο ήταν εκτός λειτουργίας και τα διαστήματα λειτουργίας χωρίς φορτίο, επιπλέον του χρόνου πίεσης της σκανδάλης.

Ετικέτες πάνω στο εργαλείο

Το εργαλείο φέρει τα παρακάτω εικονογράμματα μαζί με τον κωδικό ημερομηνίας:



ΠΡΟΕΙΔΟΠΟΙΗΣΗ! Για να μειωθεί ο κίνδυνος τραυματισμού, ο χρήστης πρέπει να διαβάσει το εγχειρίδιο οδηγιών.

Ασφαλής χρήση ηλεκτρικού ρεύματος



Αυτό το εργαλείο φέρει διπλή μόνωση. Επομένως, δεν απαιτείται καλώδιο γείωσης. Πάντα ελέγχετε ότι η παροχή ρεύματος αντιστοιχεί στην τάση που αναφέρεται στην πινακίδα στοιχείων.

- Αν το καλώδιο ρεύματος έχει υποστεί ζημιά, η αντικατάστασή του πρέπει να γίνει από τον κατασκευαστή ή από ένα εξουσιοδοτημένο κέντρο επισκευών της BLACK+DECKER, ώστε να μην αποτελέσει κίνδυνο.

Χαρακτηριστικά (εικ. [Fig.] A)

Αυτό το εργαλείο διαθέτει μερικά από ή όλα τα παρακάτω χαρακτηριστικά.

- 1 Διακόπτης ρύθμισης ταχύτητας
- 2 Κουμπί συνεχόμενης λειτουργίας
- 3 Διακόπτης επιλογής κίνησης προς τα εμπρός/πίσω
- 4 Επιλογέας τρόπου διάτρησης
- 5 Τσοκ
- 6 Ασφάλεια του τσοκ
- 7 Πλευρική λαβή

ΣΥΝΑΡΜΟΛΟΓΗΣΗ

▲ ΠΡΟΕΙΔΟΠΟΙΗΣΗ! Πριν από τη συναρμολόγηση, βεβαιωθείτε ότι το εργαλείο είναι απενεργοποιημένο και ότι το φις δεν είναι συνδεδεμένο στην πρίζα.

Τοποθέτηση της πλευρικής λαβής (εικ. B)

- Περιστρέψτε το κουμπί **7C** αριστερόστροφα μέχρι να μπορείτε να περάσετε την πλευρική λαβή **7** στο μπροστινό μέρος του εργαλείου όπως φαίνεται στην εικόνα.
- Περιστρέψτε την πλευρική λαβή στην επιθυμητή θέση εξασφαλίζοντας ότι οι εγκοπές **7A** συμπλέκονται με την οδοντωτή προεσοχή **7B**.
- Σφίξτε την πλευρική λαβή περιστρέφοντας το κουμπί **7C** δεξιόστροφα.

ΣΗΜΕΙΩΣΗ: η θέση της πλευρικής λαβής μπορεί να ρυθμιστεί ανάλογα με την προσωπική σας προτίμηση.

Τοποθέτηση εξαρτήματος (εικ. C)

- Πιέστε την ασφάλεια του τσοκ **6**.
- Ανοίξτε το τσοκ **5** περιστρέφοντας το κολάρο αριστερόστροφα.
- Εισάγετε τον άξονα **8** του αξεσουάρ στο τσοκ.
- Σφίξτε το τσοκ περιστρέφοντας το κολάρο δεξιόστροφα.

ΧΡΗΣΗ

▲ ΠΡΟΕΙΔΟΠΟΙΗΣΗ! Αφήνετε το εργαλείο να λειτουργήσει με τον δικό του ρυθμό. Μην το υπερφορτώνετε.

▲ ΠΡΟΕΙΔΟΠΟΙΗΣΗ! Πριν τη διάτρηση τοίχων, δαπέδων ή ταβανιών, ελέγχετε για τις θέσεις καλωδιώσεων και σωλήνων.

Ενεργοποίηση και απενεργοποίηση (εικ. D, G)

- Για να ενεργοποιήσετε το εργαλείο, πιέστε τον διακόπτη ρύθμισης ταχύτητας **1**. Η ταχύτητα λειτουργίας του εργαλείου εξαρτάται από το πόσο πιέζετε το διακόπτη.
- Για συνεχόμενη λειτουργία, πατήστε το κουμπί συνεχόμενης λειτουργίας **2** και αφήστε ελεύθερο τον διακόπτη ρύθμισης ταχύτητας. Η επιλογή αυτή δεν λειτουργεί στην περιστροφή προς τα πίσω.
- Για να απενεργοποιήσετε το εργαλείο, απελευθερώστε τον διακόπτη ρύθμισης ταχύτητας. Για να απενεργοποιήσετε το εργαλείο, όταν βρίσκεται σε συνεχόμενη λειτουργία, πατήστε τον διακόπτη ρύθμισης ταχύτητας ακόμη μία φορά και αφήστε τον ελεύθερο. Πάντα κρατάτε το εργαλείο όπως υποδεικνύεται στην Σχήματα Δ και Ζ.

Επιλογή της κατεύθυνσης περιστροφής (εικ. E)

Για διάτρηση και για βίδωμα, χρησιμοποιήστε την προς τα εμπρός (δεξιόστροφη) περιστροφή. Για ξεβίδωμα βίδας ή για αφαίρεση μύτης τρυπανιού που έχει κολλήσει χρησιμοποιείτε περιστροφή όπισθεν (αριστερόστροφη).

- Για να επιλέξετε περιστροφή εμπρός, πιέστε το συρόμενο κουμπί περιστροφής εμπρός/όπισθεν **3** προς τα αριστερά.

• Για να επιλέξετε περιστροφή όπισθεν, πιέστε το συρόμενο κουμπί περιστροφής εμπρός/όπισθεν προς τα δεξιά.

▲ ΠΡΟΕΙΔΟΠΟΙΗΣΗ! Ποτέ μην αλλάζετε την κατεύθυνση περιστροφής όταν το μοτέρ βρίσκεται σε λειτουργία.

Επιλογή του τρόπου διάτρησης (εικ. F)

Για κρουστική διάτρηση σε είδη τοιχοποιίας και σκυρόδεμα, θέστε τον επιλογέα τρόπου διάτρησης 4 στη θέση T.

Για διάτρηση σε χάλυβα, ξύλο και πλαστικά ή για βίδωμα, θέστε τον επιλογέα τρόπο λειτουργίας 4 στη θέση 2.

Αξεσουάρι

Η απόδοση του εργαλείου σας εξαρτάται από το αξεσουάρι που χρησιμοποιείτε. Τα αξεσουάρ της BLACK+DECKER έχουν κατασκευαστεί μηχανικά με βάση πρότυπα υψηλής ποιότητας και είναι σχεδιασμένα να ενισχύουν την απόδοση του εργαλείου σας. Χρησιμοποιώντας αυτά τα αξεσουάρ, θα εξασφαλίσετε την καλύτερη δυνατή απόδοση του εργαλείου σας.


ΣΥΝΤΗΡΗΣΗ

Αυτή η συσκευή/το εργαλείο ρεύματος/μπαταρίας της BLACK+DECKER έχει σχεδιαστεί έτσι ώστε να λειτουργεί για μεγάλο χρονικό διάστημα με την ελάχιστη δυνατή συντήρηση. Η συνεχής ικανοποιητική λειτουργία εξαρτάται από τη σωστή φροντίδα και τον τακτικό καθαρισμό του εργαλείου.

▲ ΠΡΟΕΙΔΟΠΟΙΗΣΗ! Πριν πραγματοποιήσετε οποιαδήποτε συντήρηση σε ηλεκτρικά εργαλεία ρεύματος/μπαταρίας:

- Απενεργοποιήστε και αποσυνδέστε τη συσκευή/το εργαλείο από την πρίζα.
- Ή απενεργοποιήστε και αφαιρέστε την μπαταρία από τη συσκευή/το εργαλείο, εάν η συσκευή/το εργαλείο διαθέτει ξεχωριστό πακέτο μπαταριών.
- Ή χρησιμοποιήστε την μπαταρία μέχρι να αδειάσει εντελώς και στη συνέχεια απενεργοποιήστε το εργαλείο.
- Αποσυνδέστε τον φορτιστή από την πρίζα πριν τον καθαρίσετε. Ο φορτιστής σας δεν χρειάζεται καμία άλλη συντήρηση πέραν του τακτικού καθαρισμού.
- Καθαρίζετε τακτικά τα ανοίγματα εξαερισμού της συσκευής/του εργαλείου/του φορτιστή χρησιμοποιώντας μια μαλακή βούρτσα ή ένα στεγνό πανί.
- Καθαρίζετε τακτικά το περίβλημα του μοτέρ με ένα ελαφρά υγρό πανί. Μη χρησιμοποιείτε καθαριστικά που χαράζουν ή περιέχουν διαλύτες.
- Να ανοίγετε τακτικά το τσοκ και να το χτυπάτε ελαφρά για να αφαιρείται η σκόνη από το εσωτερικό του (εφόσον έχει τοποθετηθεί).

Προστασία του περιβάλλοντος

 Χωριστή συλλογή. Τα προϊόντα και οι μπαταρίες που επισωμαίνονται με αυτό το σύμβολο δεν πρέπει να απορρίπτονται μαζί με τα κανονικά οικιακά απορρίμματα. Τα προϊόντα και οι μπαταρίες περιέχουν υλικά που μπορούν να ανακτηθούν ή να ανακυκλωθούν ώστε να μειωθούν οι ανάγκες για πρώτες ύλες.

Παρακαλούμε να ανακυκλώνετε τα ηλεκτρικά προϊόντα και τις μπαταρίες σύμφωνα με τους τοπικούς κανονισμούς.

Περισσότερες πληροφορίες διατίθενται στον ιστότοπο www.2helpU.com.

Τεχνικά χαρακτηριστικά

	BEH550 τύπος2	BEH7100 τύπος2
Τάση	V _κ	230
Κατανάλωση ισχύος	Π	550
		710

Ταχύτητα χωρίς φορτίο	min ⁻¹	0 ~ 2800	0 ~ 2800
Ρυθμός κρούσης	min ⁻¹	0 ~ 47600	0 ~ 47600
Βάρος	kg	1,7	1,76
Μέγ. ικανότητα διάτρησης			
Σκυρόδεμα	mm	13	13
Χάλυβας	mm	13	13
Ξύλο	mm	25	25

BEH550 Στάθμη ηχητικής πίεσης σύμφωνα με το πρότυπο EN 62841:

Ηχητική πίεση (L_{pw}) 96,5 dB(A), αβεβαιότητα (K) 5 dB(A)

Ηχητική ισχύς (L_{wa}) 104,5 dB(A), αβεβαιότητα (K) 5 dB(A)

BEH710 Στάθμη ηχητικής πίεσης σύμφωνα με το πρότυπο EN 62841:

Ηχητική πίεση (L_{pw}) 98,5 dB(A), αβεβαιότητα (K) 5 dB(A)

Ηχητική ισχύς (L_{wa}) 106,5 dB(A), αβεβαιότητα (K) 5 dB(A)

BEH550 Συνολικές τιμές δόνησης (διανυσματικό άθροισμα τριών αξόνων) κατά EN 62841:

Κρουστική διάτρηση σε σκυρόδεμα (a_w) 14,8 m/s², αβεβαιότητα (K) 1,5 m/s²

Διάτρηση σε μέταλλο (a_w) 1,8 m/s², αβεβαιότητα (K) 1,5 m/s²

BEH710 Συνολικές τιμές κραδασμών (διανυσματικό άθροισμα τριών αξόνων) κατά EN 62841:

Κρουστική διάτρηση σε σκυρόδεμα (a_w) 16,2 m/s², αβεβαιότητα (K) 1,5 m/s²

Διάτρηση σε μέταλλο (a_w) 1,9 m/s², αβεβαιότητα (K) 1,5 m/s²

Δήλωση συμμόρφωσης EK

ΟΔΗΓΙΑ ΠΕΡΙ ΜΗΧΑΝΗΜΑΤΩΝ



BEH550, BEH710 Κρουστικό δράπανο

Η Black & Decker δηλώνει ότι τα προϊόντα αυτά που περιγράφονται στα «τεχνικά χαρακτηριστικά» συμμορφώνονται με τα ακόλουθα:

2006/42/EC, EN 62841-1:2015+A11:2022,
EN 62841-2-1:2018+A11:2019+A12:2022+A12:2022

Αυτά τα προϊόντα συμμορφώνονται επίσης με την οδηγία 2014/30/EE και 2011/65/EE. Για περισσότερες πληροφορίες, επικοινωνήστε με την Black & Decker στην παρακάτω διεύθυνση ή ανατρέξτε στο πίσω μέρος του εγχειριδίου.

Ο κάτωθι υπογεγραμμένος είναι υπεύθυνος για την κατάρτιση του τεχνικού φακέλου και κάνει αυτή τη δήλωση για λογαριασμό της Black & Decker.

Patrick Diepenbach

Patrick Diepenbach
Γενικός Διευθυντής, Μπελελούξ
Black and Decker,
Egide Walschaertsstraat 14-18
2800 Mechelen, Belgium (Βέλγιο)

02/08/2023

Εγγύηση

Η Black & Decker είναι σίγουρη για την ποιότητα των προϊόντων της και προσφέρει στους καταναλωτές εγγύηση 24 μηνών από

την ημερομηνία αγοράς. Αυτή η εγγύηση συμπληρώνει και με κανένα τρόπο δεν παραβλάπτει τα νόμιμα δικαιώματά σας. Η εγγύηση ισχύει εντός της επικράτειας των χωρών μελών της Ευρωπαϊκής Ένωσης και της Ευρωπαϊκής Ζώνης Ελευθερω Συναλλαγών και στο Ηνωμένο Βασίλειο.

Για να υποβάλτε αξίωση βάσει της εγγύησης, η αξίωση θα πρέπει να είναι σύμφωνη με τους Όρους και προϋποθέσεις της Black & Decker και θα χρειαστεί να υποβάλτε απόδειξη αγοράς στον πωλητή ή σε εξουσιοδοτημένο αντιπρόσωπο επισκευών.

Μπορείτε να αποκτήσετε τους Όρους και προϋποθέσεις της εγγύησης 2 ετών της Black & Decker και να μάθετε την τοποθεσία του πλησιέστερου εξουσιοδοτημένου αντιπροσώπου επισκευών στο Internet στο **www.2helpU.com**, ή επικοινωνώντας με το τοπικό σας γραφείο Black & Decker στη διεύθυνση που υποδεικνύεται στο παρόν εγχειρίδιο. Επισκεφθείτε τον ιστότοπό μας **www.blackanddecker.eu** για να καταχωρίσετε το καινούργιο προϊόν Black & Decker που αποκτήσατε και για να λαμβάνετε ενημερώσεις σχετικά με νέα προϊόντα και ειδικές προσφορές.

België/Belgique/Luxembourg www.blackanddecker.be enduser.be@sbdinc.com	Stanley Black & Decker Belgium BVBA Egide Walschaertsstraat 16 2800 Mechelen	Tel. NL +32 15 47 37 65 Tel. FR +32 15 47 37 66 Fax +32 15 47 37 99
Danmark	Black & Decker Roskildevej 22 2620 Albertslund	kundeservice.dk@sbdinc.com www.blackanddecker.dk
Deutschland www.blackanddecker.de infobfge@sbdinc.com	Stanley Black & Decker Deutschland GmbH Black & Decker Str. 40, D - 65510 Idstein	Tel. 06126 21-0 Fax 06126 21-2980
Ελλάδα www.blackanddecker.gr greece.service@sbdinc.com	Stanley Black & Decker (ΕΛΛΑΣ) Ε.Π.Ε ΓΡΑΦΕΙΑ: Στραβώνας 7 & Βουλιαγμένης 166 74 Λιβαριάδα - Αθήνα	Τηλ. 210-8981616 Φαξ 210-8983570
SERVICE:	Ημέρος Τόπος 2 - Χάν Αδάμ 193 00 Ασπρόπυργος - Αθήνα	Τηλ. Service 210-8985208 Φαξ 210-5597598
España www.blackanddecker.es respuesta.posventa@sbdinc.com	Stanley Black & Decker Ibérica, S.C.A. Parc de Negocios "Mas Blau" Edificio Muntadas, c/Bergadà, 1, Of. A6 08820 El Prat de Llobregat (Barcelona)	Tel. 934 797 400 Fax 934 797 419
France www.blackanddecker.fr	Black & Decker (France) S.A.S. 5 allée des Hêtres B.P. 30084 69579 Limonest Cédex	Tel. 04 72 20 39 20 Fax 04 72 20 39 00
Helvetia www.blackanddecker.ch service@rofoag.ch	ROFO AG Gewerbezone Seeblick 3213 Kleinbösingen	Tel. 026-6749393 Fax 026-6749394
Italia www.blackanddecker.it service.italia@sbdinc.com	Stanley Black & Decker Italia Via Energypark 6 20871 Vimercate (MB)	Tel. 039-9590200 Fax 039-9590313 Numero verde 800-213935
Nederland www.blackanddecker.nl enduser.nl@sbdinc.com	Stanley Black & Decker Netherlands BV Holtum Noordweg 35, 6121 RE BORN Postbus 83, 6120 AB BORN	Tel. +31 164 283 065 Fax +31 164 283 200
Norge	Black & Decker Postboks 4613, Nydalen 0405 Oslo	kundeservice.no@sbdinc.com www.blackanddecker.no
Österreich www.blackanddecker.at service.austria@sbdinc.com	Stanley Black & Decker Austria GmbH Oberbaerstraße 248, A-1230 Wien	Tel. 01 66116-0 Fax 01 66116-614
Portugal www.blackanddecker.pt resposta.posventa@sbdinc.com	Black & Decker Limited SARL Quinta da Fonte - Edifício Q55 D. Diniz Rua dos Malhões, 2 e 2A - Piso 2 Esquerdo 2770 - 071 Paço de Arcos	Tel. 214667500 Fax 214667580
Suomi	Black & Decker PL47 00521, Helsinki	asiakaspalvelu.fi@sbdinc.com www.blackanddecker.fi
Sverige	Black & Decker AB Box 94, 431 22 Mölndal	kundeservice.se@sbdinc.com www.blackanddecker.se
Türkiye tr.blackanddecker.global info-tr@sbdinc.com	Stanley Black & Decker Turkey Alet Üretim Tic. Ltd.Şti. İçerenköy Mahallesi Ümut Sokak No: 10-12 / 82-83-84 Kat: 19 Ataşehir-İstanbul, Türkiye	Tel. +90 216 665 2900 Faks: +90 216 665 2901
United Kingdom & Republic Of Ireland www.blackanddecker.co.uk emeaservice@sbdinc.com	Black & Decker 210 Bath Road Slough, Berkshire SL1 4DX	Tel. 01753 511234 Fax 01753 512365
Middle East & Africa www.blackanddecker.ae service.mea@sbdinc.com	Black & Decker P.O. Box - 17164 Jebel Ali Free Zone (South), Dubai, UAE	Tel. +971 4 8863030 Fax +971 4 8863333