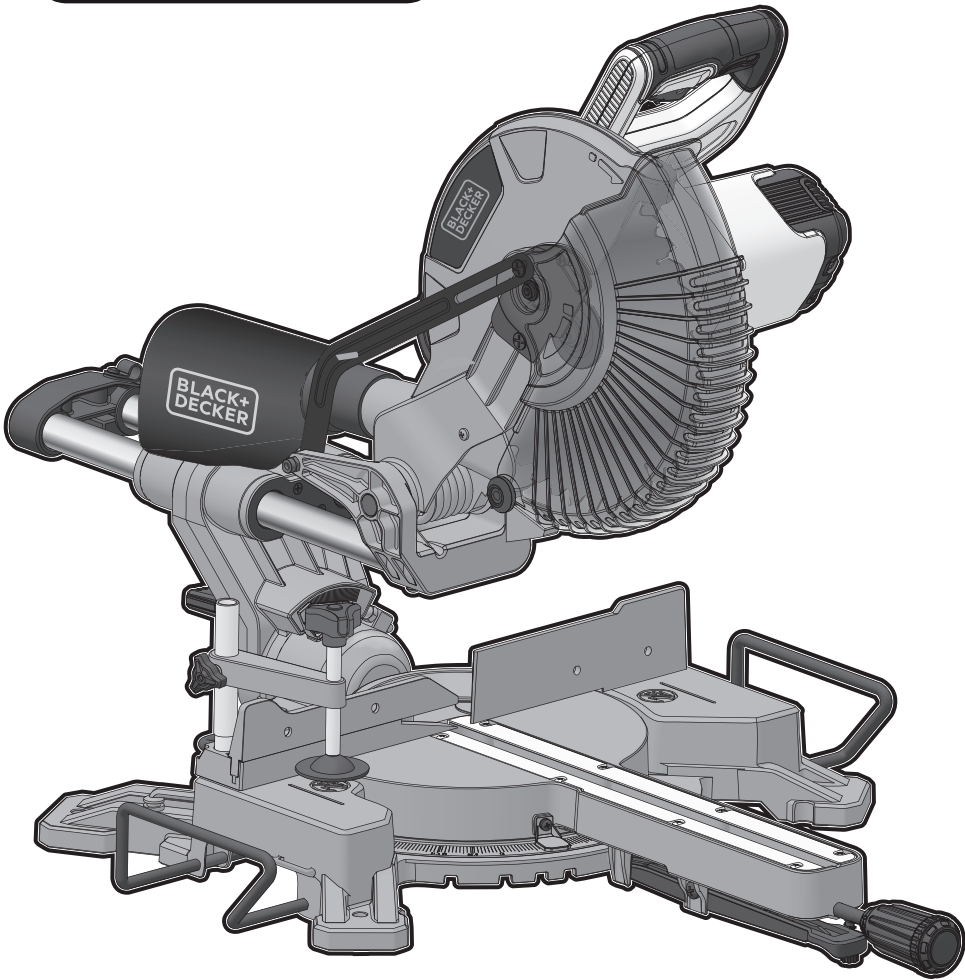


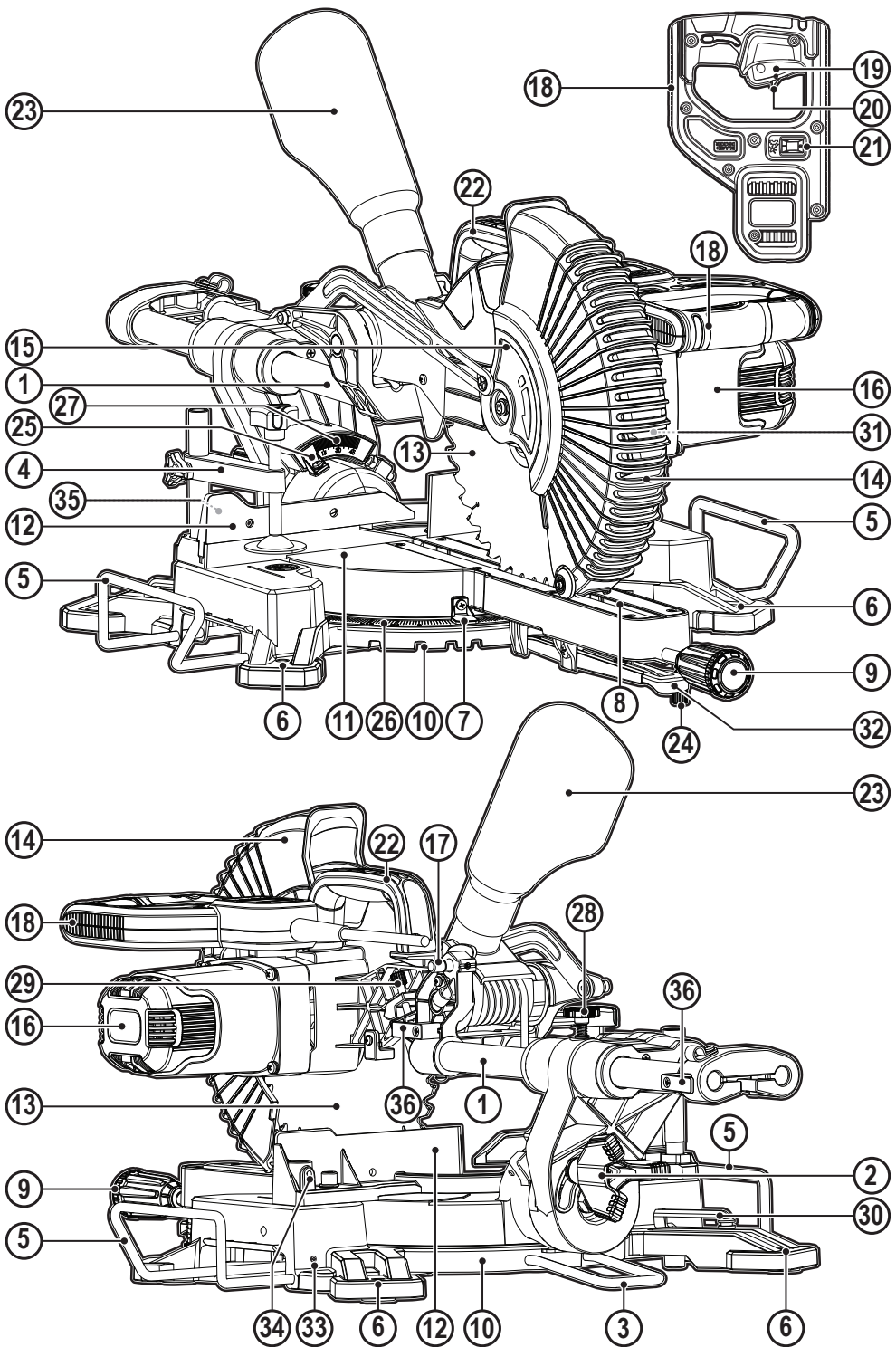
**BLACK+  
DECKER**™

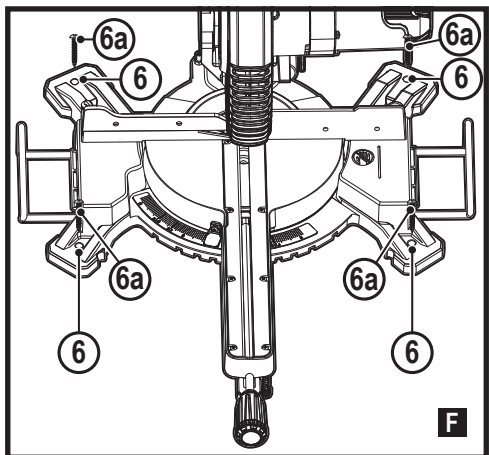
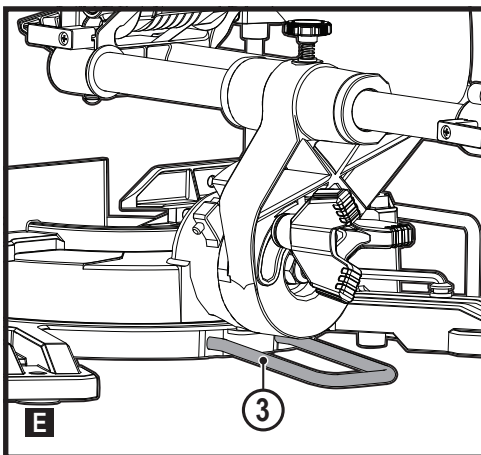
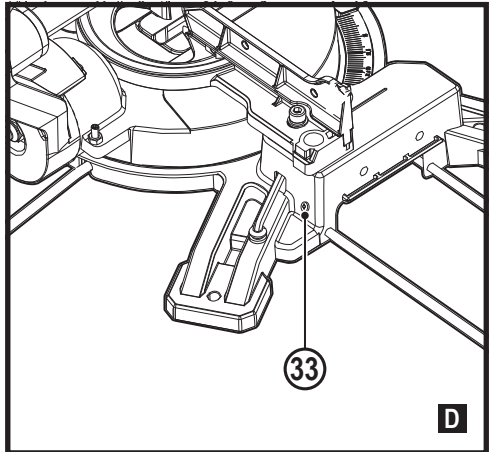
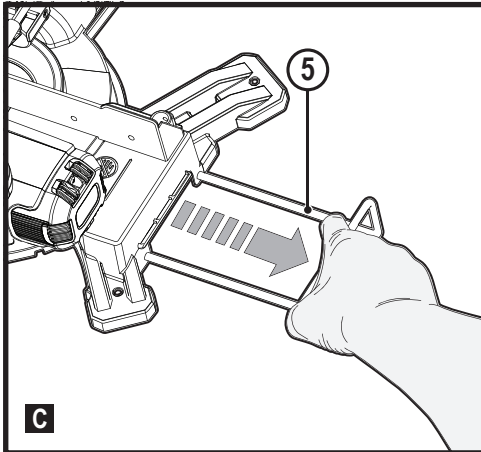
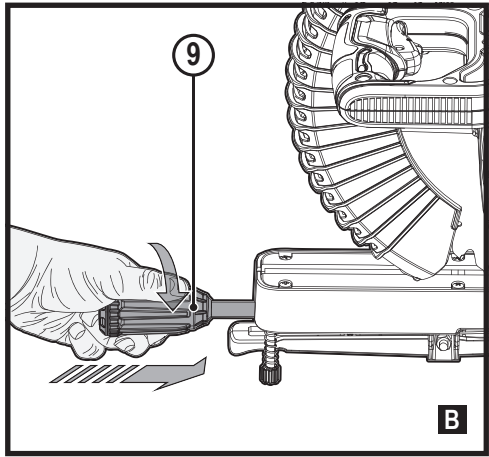
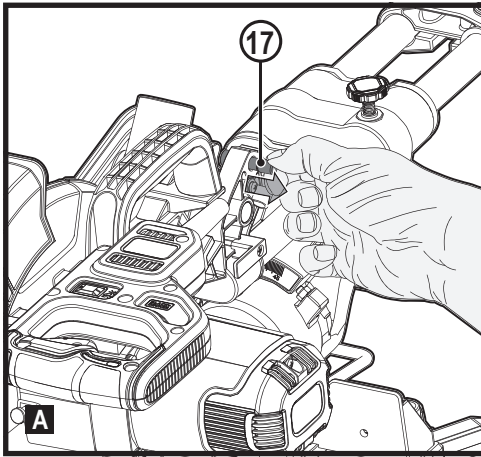


[www.blackanddecker.eu](http://www.blackanddecker.eu)

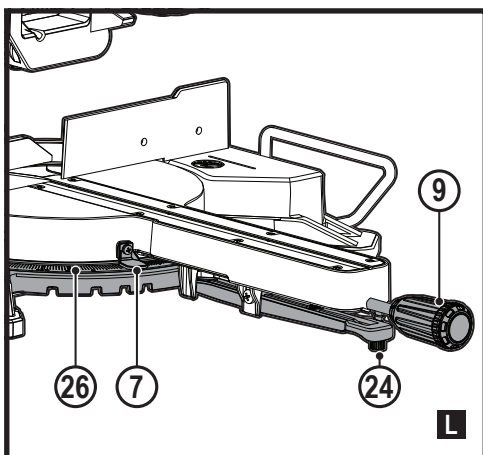
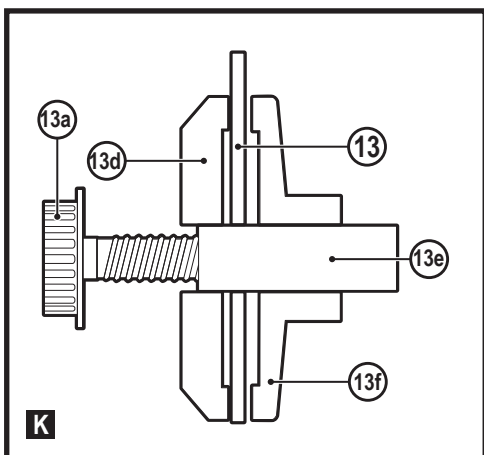
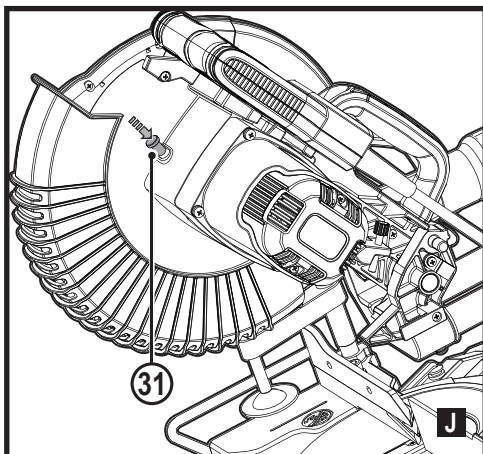
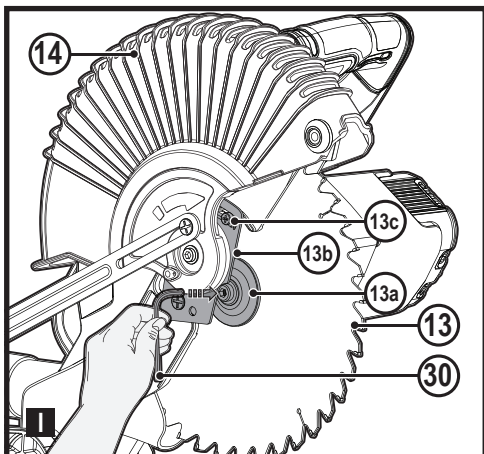
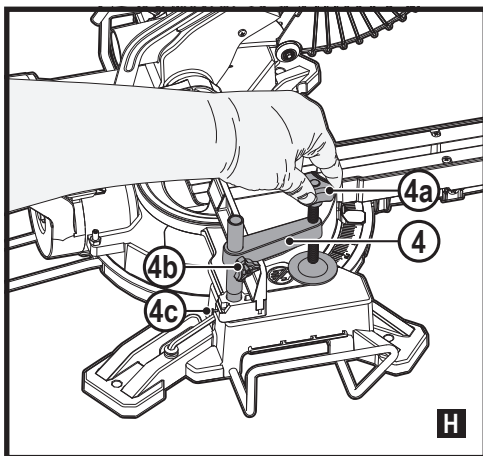
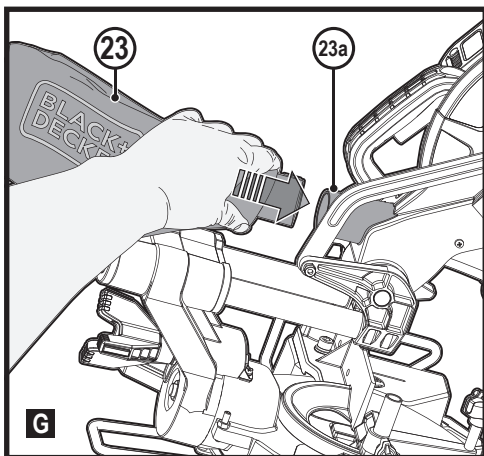
**BES700**

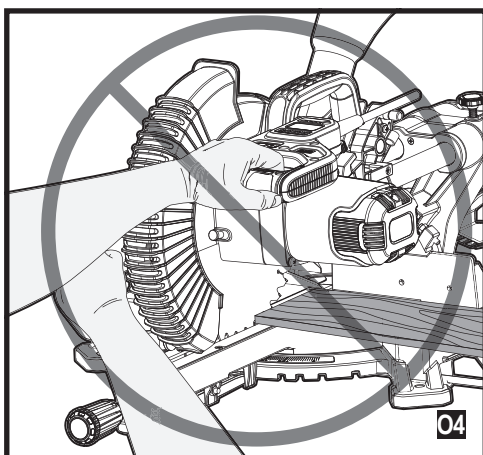
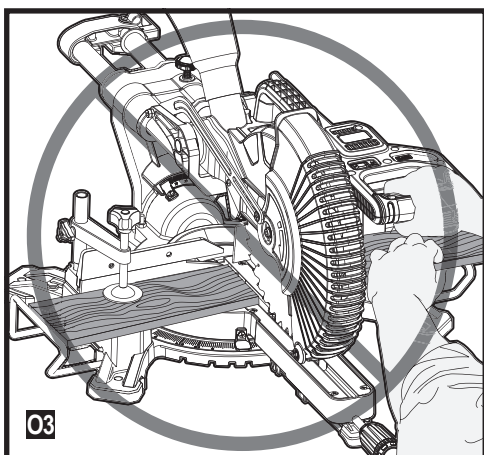
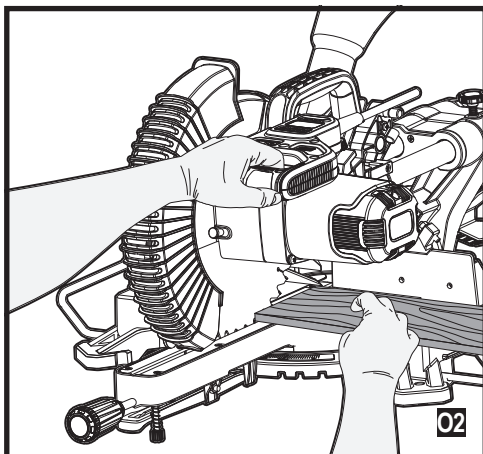
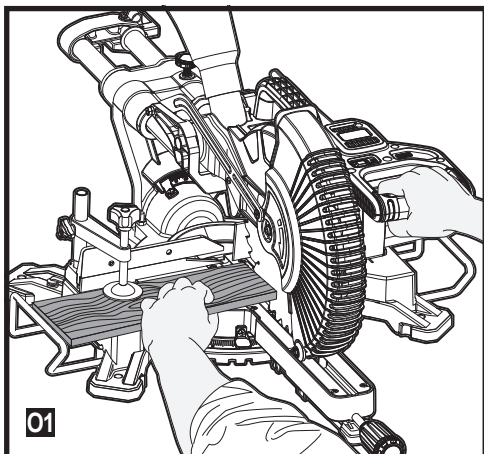
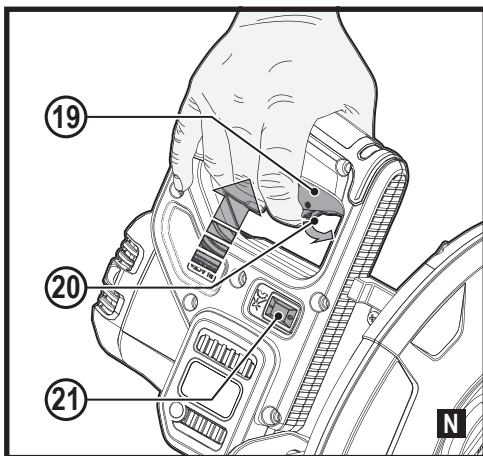
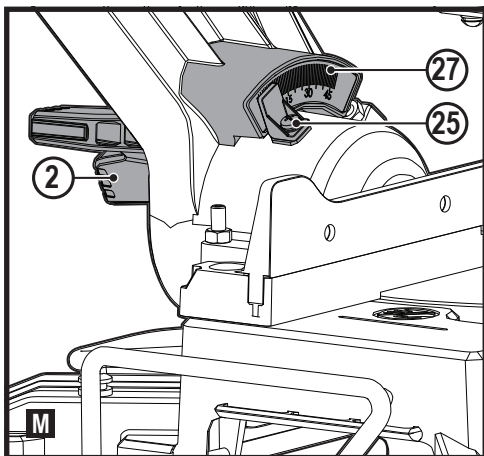
English (original instructions)	8
Русский язык (перевод с оригинала инструкции)	19

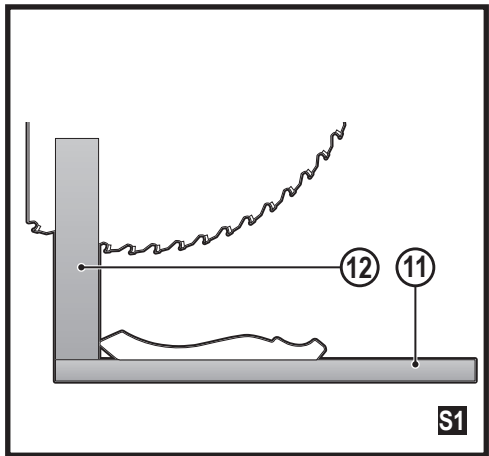
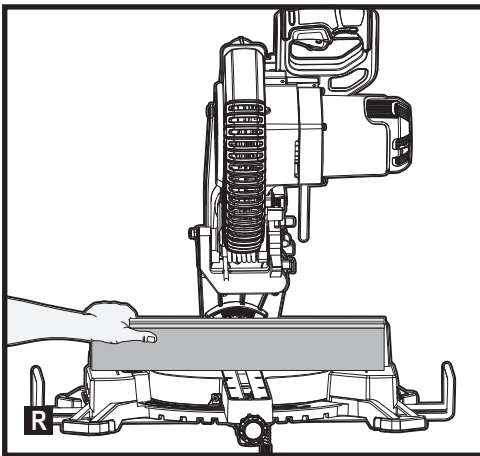
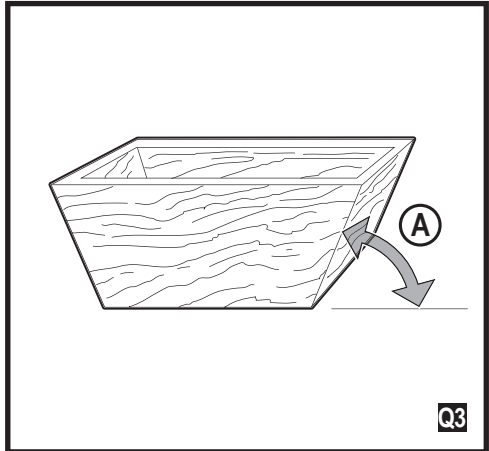
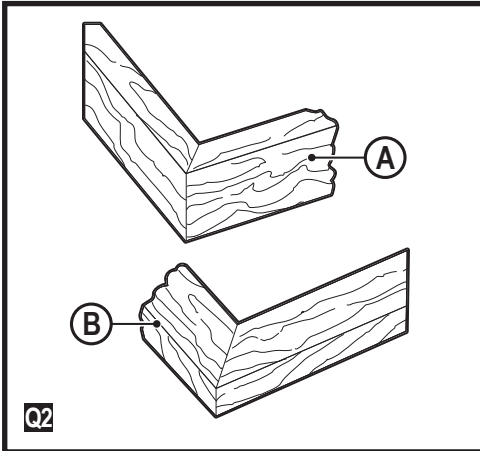
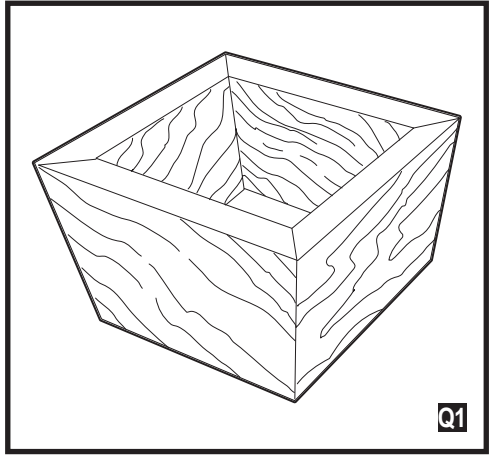
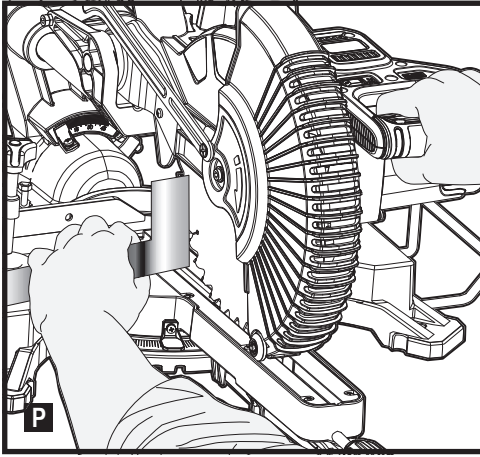


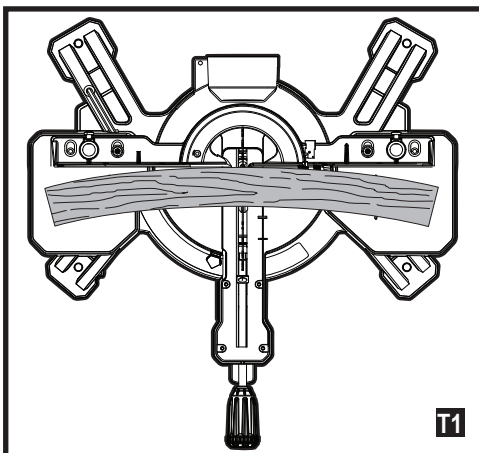
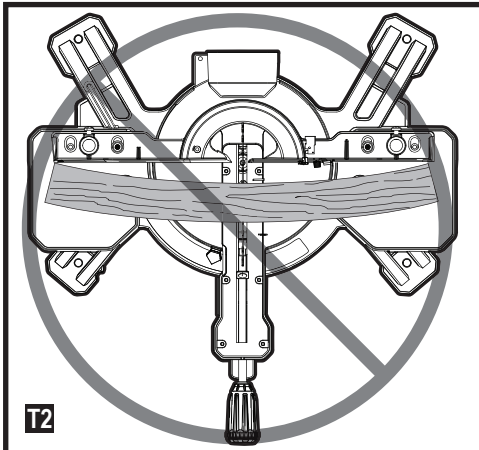
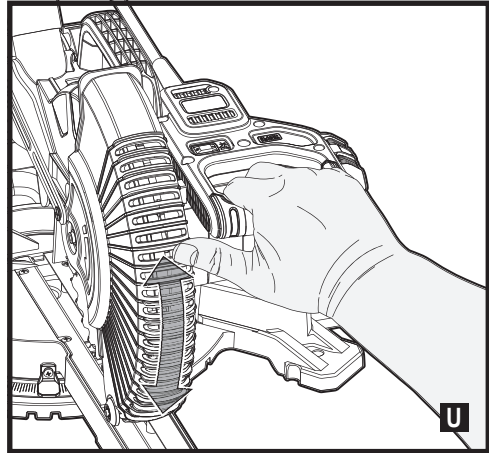
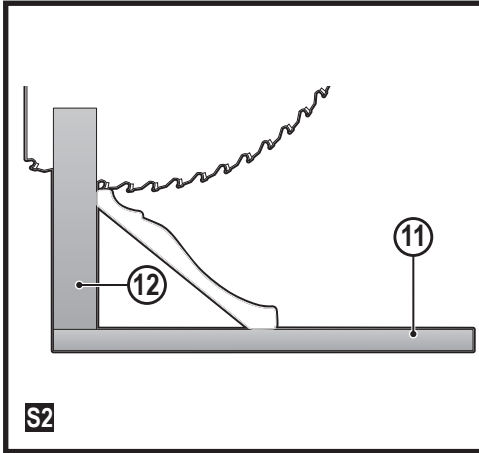












### Intended use

Your BLACK+DECKER BES700, BES710 sliding compound mitre saw has been designed for sawing wood, plastic and nonferrous metal only. This tool is intended for non professional users.

### Safety instructions

#### General power tool safety warnings



**Warning!** Read all safety warnings, instructions, illustrations and specifications provided with power tool. Failure to follow the warnings and instructions listed below may result in electric shock, fire and/or serious injury.

#### Save all warnings and instructions for future reference.

The term "power tool" in all of the warnings listed below refers to your mains operated (corded) power tool or battery operated (cordless) power tool.

1. **Work area safety**
  - a. **Keep work area clean and well lit.** Cluttered or dark areas invite accidents.
  - b. **Do not operate power tools in explosive atmospheres, such as in the presence of flammable liquids, gases or dust.** Power tools create sparks which may ignite the dust or fumes.
  - c. **Keep children and bystanders away while operating a power tool.** Distractions can cause you to lose control.
  
2. **Electrical safety**
  - a. **Power tool plugs must match the outlet. Never modify the plug in any way. Do not use any adapter plugs with earthed (grounded) power tools.** Unmodified plugs and matching outlets will reduce risk of electric shock.

- b. **Avoid body contact with earthed or grounded surfaces such as pipes, radiators, ranges and refrigerators.** There is an increased risk of electric shock if your body is earthed or grounded.
  - c. **Do not expose power tools to rain or wet conditions.** Water entering a power tool will increase the risk of electric shock.
  - d. **Do not abuse the cord. Never use the cord for carrying, pulling or unplugging the power tool. Keep cord away from heat, oil, sharp edges or moving parts.** Damaged or entangled cords increase the risk of electric shock.
  - e. **When operating a power tool outdoors, use an extension cord suitable for outdoor use.** Use of a cord suitable for outdoor use reduces the risk of electric shock.
  - f. **If operating a power tool in a damp location is unavoidable, use a residual current device (RCD) protected supply.** Use of an RCD reduces the risk of electric shock.
- 3. Personal safety**
- a. **Stay alert, watch what you are doing and use common sense when operating a power tool. Do not use a power tool while you are tired or under the influence of drugs, alcohol or medication.** A moment of inattention while operating power tools may result in serious personal injury.
  - b. **Use personal protective equipment. Always wear eye protection.** Protective equipment such as dust mask, non-skid safety shoes, hard hat, or hearing protection used for appropriate conditions will reduce personal injuries.
  - c. **Prevent unintentional starting. Ensure the switch is in the off-position before connecting to power source and/or battery pack, picking up or carrying the tool.** Carrying power tools with your finger on the switch or energising power tools that have the switch on invites accidents.
  - d. **Remove any adjusting key or wrench before turning the power tool on.** A wrench or a key left attached to a rotating part of the power tool may result in personal injury.
  - e. **Do not overreach. Keep proper footing and balance at all times.** This enables better control of the power tool in unexpected situations.
  - f. **Dress properly. Do not wear loose clothing or jewellery. Keep your hair and clothing away from moving parts.** Loose clothes, jewellery or long hair can be caught in moving parts.
  - g. **If devices are provided for the connection of dust extraction and collection facilities, ensure these are connected and properly used.** Use of dust collection can reduce dust-related hazards.
  - h. **Do not let familiarity gained from frequent use of tools allow you to become complacent and ignore tool safety principles.** A careless action can cause severe injury within a fraction of a second.
- 4. Power tool use and care**
- a. **Do not force the power tool. Use the correct power tool for your application.** The correct power tool will do the job better and safer at the rate for which it was designed.
  - b. **Do not use the power tool if the switch does not turn it on and off.** Any power tool that cannot be controlled with the switch is dangerous and must be repaired.
  - c. **Disconnect the plug from the power source and/or the battery pack from the power tool before making any adjustments, changing accessories, or storing power tools.** Such preventive safety measures reduce the risk of starting the power tool accidentally.
  - d. **Store idle power tools out of the reach of children and do not allow persons unfamiliar with the power tool or these instructions to operate the power tool.** Power tools are dangerous in the hands of untrained users.
  - e. **Maintain power tools and accessories. Check for misalignment or binding of moving parts, breakage of parts and any other condition that may affect the power tools operation. If damaged, have the power tool repaired before use.** Many accidents are caused by poorly maintained power tools.
  - f. **Keep cutting tools sharp and clean.** Properly maintained cutting tools with sharp cutting edges are less likely to bind and are easier to control.
  - g. **Use the power tool, accessories and tool bits etc. in accordance with these instructions, taking into account the working conditions and the work to be performed.** Use of the power tool for operations different from those intended could result in a hazardous situation.
  - h. **Keep handles and grasping surfaces dry, clean and free from oil and grease.** Slippery handles and greasy surfaces do not allow for safe handling and control of the tool in unexpected situations.
- 5. Service**
- a. **Have your power tool serviced by a qualified repair person using only identical replacement parts.** This will ensure that the safety of the power tool is maintained.
- Safety instructions for mitre saws**
- ◆ **Mitre saws are intended to cut wood or wood-like products, they cannot be used with abrasive cut-off wheels for cutting ferrous material such as bars, rods, studs, etc.** Abrasive dust causes moving parts such as the lower guard to jam. Sparks from abrasive cutting will



burn the lower guard, the kerf insert and other plastic parts.

- ◆ **Use clamps to support the workpiece whenever possible.** If supporting the workpiece by hand, you must always keep your hand at least 100 mm from either side of the saw blade. Do not use this saw to cut pieces that are too small to be securely clamped or held by hand. If your hand is placed too close to the saw blade, there is an increased risk of injury from blade contact.
- ◆ **The workpiece must be stationary and clamped or held against both the fence and the table. Do not feed the workpiece into the blade or cut “freehand” in any way.** Unrestrained or moving workpieces could be thrown at high speeds, causing injury.
- ◆ **Push the saw through the workpiece. Do not pull the saw through the workpiece. To make a cut, raise the saw head and pull it out over the workpiece without cutting, start the motor, press the saw head down and push the saw through the workpiece.** Cutting on the pull stroke is likely to cause the saw blade to climb on top of the workpiece and violently throw the blade assembly towards the operator.
- ◆ **Never cross your hand over the intended line of cutting either in front or behind the saw blade.** Supporting the workpiece “cross handed” i.e. holding the workpiece to the right of the saw blade with your left hand or vice versa is very dangerous.
- ◆ **Do not reach behind the fence with either hand closer than 100 mm from either side of the saw blade, to remove wood scraps, or for any other reason while the blade is spinning.** The proximity of the spinning saw blade to your hand may not be obvious and you may be seriously injured.
- ◆ **Inspect your workpiece before cutting. If the workpiece is bowed or warped, clamp it with the outside bowed face toward the fence. Always make certain that there is no gap between the workpiece, fence and table along the line of the cut.** Bent or warped workpieces can twist or shift and may cause binding on the spinning saw blade while cutting. There should be no nails or foreign objects in the workpiece.
- ◆ **Do not use the saw until the table is clear of all tools, wood scraps, etc., except for the workpiece.** Small debris or loose pieces of wood or other objects that contact the revolving blade can be thrown with high speed.
- ◆ **Cut only one workpiece at a time.** Stacked multiple workpieces cannot be adequately clamped or braced and may bind on the blade or shift during cutting.
- ◆ **Ensure the mitre saw is mounted or placed on a level, firm work surface before use.** A level and firm work

surface reduces the risk of the mitre saw becoming unstable.

- ◆ **Plan your work. Every time you change the bevel or mitre angle setting, make sure the adjustable fence is set correctly to support the workpiece and will not interfere with the blade or the guarding system.** Without turning the tool “ON” and with no workpiece on the table, move the saw blade through a complete simulated cut to assure there will be no interference or danger of cutting the fence.
- ◆ **Provide adequate support such as table extensions, saw horses, etc. for a workpiece that is wider or longer than the table top.** Workpieces longer or wider than the mitre saw table can tip if not securely supported. If the cut-off piece or workpiece tips, it can lift the lower guard or be thrown by the spinning blade.
- ◆ **Do not use another person as a substitute for a table extension or as additional support.** Unstable support for the workpiece can cause the blade to bind or the workpiece to shift during the cutting operation pulling you and the helper into the spinning blade.
- ◆ **The cut-off piece must not be jammed or pressed by any means against the spinning saw blade.** If confined, i.e. using length stops, the cut-off piece could get wedged against the blade and thrown violently.
- ◆ **Always use a clamp or a fixture designed to properly support round material such as rods or tubing.** Rods have a tendency to roll while being cut, causing the blade to “bite” and pull the work with your hand into the blade.
- ◆ **Let the blade reach full speed before contacting the workpiece.** This will reduce the risk of the workpiece being thrown.
- ◆ **If the workpiece or blade becomes jammed, turn the mitre saw off. Wait for all moving parts to stop and disconnect the plug from the power source and/or remove the battery pack. Then work to free the jammed material.** Continued sawing with a jammed workpiece could cause loss of control or damage to the mitre saw.
- ◆ **After finishing the cut, release the switch, hold the saw head down and wait for the blade to stop before removing the cut-off piece.** Reaching with your hand near the coasting blade is dangerous.

### Additional safety instructions for mitre saws

- ◆ **Hold the handle firmly when making an incomplete cut or when releasing the switch before the saw head is completely in the down position.** The braking action of the saw may cause the saw head to be suddenly pulled downward, causing a risk of injury.
- ◆ **The intended use is described in this instruction manual.** The use of any accessory or attachment or performance

of any operation with this tool other than those recommended in this instruction manual may present a risk of personal injury and/or damage to property.

- ◆ Do not use cracked/bent/damaged/deformed saw blades.
- ◆ Replace the kerf plate when worn.
- ◆ Do not use blades of larger or smaller diameter than recommended. For the proper blade rating refer to the technical data. Use only the blades specified in this manual, complying with EN 847-1.
- ◆ Do not use High Speed Steel (HSS) saw blades.



**Warning!** Contact with or inhalation of dusts arising from sawing applications may endanger the health of the operator and possible bystanders. Wear a dust mask specifically designed for protection against dust and fumes and ensure that persons within or entering the work area are also protected.

- ◆ Do not work with material containing asbestos. Asbestos is considered to be carcinogenic.
- ◆ Wear gloves when handling saw blades and rough material (saw blades should be carried in a holder when practicable).
- ◆ Wear hearing protection to reduce the risk of induced hearing loss.
- ◆ Consider using specially designed noise-reduction blades.
- ◆ Wear eye protection to reduce the risk of personal injury.
- ◆ Use the dust bag provided when sawing wood.
- ◆ **Hold power tool by insulated gripping surfaces when performing an operation where the cutting accessory may contact hidden wiring or its own cord.** Cutting accessory contacting a "live" wire may make exposed metal parts of the power tool "live" and could give the operator an electric shock
- ◆ Select the correct blade for the material to be cut.
- ◆ Do not operate the machine without the guard in position. Do not operate the machine if the guard does not function or is not maintained properly.
- ◆ Ensure that the arm is securely fixed when performing bevel cuts.
- ◆ Before each cut ensure that the machine is stable.
- ◆ Keep handles dry, clean and free from oil and grease.
- ◆ Keep the surrounding area of the machine well maintained and free of loose materials, e.g. chips and off-cuts.
- ◆ Ensure the machine and the work area are provided with adequate general or localised lighting.
- ◆ Do not allow untrained people to operate this machine.
- ◆ Ensure that the blade is mounted correctly before use. Make sure that the blade rotates in the correct direction. Keep the blade sharp. Follow instruction for lubricating and changing accessories.
- ◆ Ensure the speed marked on the saw blade is at least equal to the speed marked on the saw.
- ◆ Ensure that any spacers and spindle rings used are suitable for the purpose as stated by BLACK+DECKER.
- ◆ Repairs to the cut line guidance system should be carried out by authorised repair agents or BLACK+DECKER service staff.
- ◆ Unplug the machine before carrying out any maintenance or when changing the blade.
- ◆ Never perform any cleaning, maintenance, removal of any off-cuts or other parts of the work piece from the cutting area when the machine is running and the saw head is not in the rest position.
- ◆ When possible, always mount the machine to a bench.
- ◆ Make sure all locking knobs and handles are tight before starting any operation.
- ◆ Never use your saw without the table insert.
- ◆ Never attempt to stop the machine in motion rapidly by jamming a tool or other means against the blade; serious accidents can be caused unintentionally in this way.
- ◆ Before using or fitting any accessory consult the instruction manual. The improper use of an accessory can cause damage.
- ◆ Raise the blade from the table insert in the work piece prior to releasing the on/of switch.
- ◆ Do not wedge anything against the fan to hold the motor shaft.
- ◆ The blade guard on your saw will automatically raise when the arm is brought down; it will lower over the blade when the arm is raised. The guard can be raised by hand when installing or removing saw blades or for inspection of the saw. Never raise the blade guard manually unless the machine is switched off.
- ◆ Check periodically that the motor air slots are clean and free of chips.
- ◆ Never make the warning signs on the power tool unrecognisable.
- ◆ Never stand on the power tool. Serious injuries could occur when the power tool tips over or when coming in contact with the saw blade.
- ◆ Do not take hold of the saw blade after working before it has cooled. The saw blade becomes very hot while working.
- ◆ To avoid injury from materials being thrown, unplug the saw to avoid accidental starting, and then remove small materials.
- ◆ Before use and after any maintenance the blade guard must be checked to ensure proper function. This test must be performed with the saw switched off and unplugged. The arm must be raised and lowered to ensure the guard covers the blade and the blade does not contact the guard. If the guard fails to operate correctly, have your power tool serviced by a qualified repair agent. Call BLACK+DECKER customer services for you nearest service agent.
- ◆ **This mitre saw has been designed for sawing wood, plastic and nonferrous metal only.** Do not use the saw



## ENGLISH

to cut other materials than those recommended by the manufacturer.

- ◆ Do not take hold of the saw blade after working before it has cooled. The saw blade becomes very hot while working.



**Warning!** Cutting plastics, sap coated wood, and other materials may cause melted material to accumulate on the blade tips and the body of the saw blade, increasing the risk of the blade overheating and binding while cutting.

### Residual risks

The following risks are inherent to the use of saws:

Even with the application of the relevant safety regulations and the implementation of safety devices, certain residual risks can not be avoided. These include:

- ◆ Injuries caused by touching any rotating/moving parts.
- ◆ Impairment of hearing.
- ◆ Risk of accidents caused by the uncovered parts of the rotating saw blade.
- ◆ Risk of injury when changing any parts, blades or accessories.
- ◆ Risk of squeezing fingers when opening the guards.
- ◆ Health hazards caused by breathing dust developed when sawing wood, especially oak, beech and MDF.
- ◆ Injuries caused by prolonged use of a tool. When using any tool for prolonged periods ensure you take regular breaks.

### Noise

The declared noise emission values have been measured in accordance with a standard test method and may be used for comparing one tool with another.

The declared noise emission values may also be used in a preliminary assessment of exposure.

**Warning!** The noise emissions during actual use of the power tool can differ from the declared values depending on the ways in which the tool is used especially what kind of workpiece is processed.

**Warning! Always wear proper personal hearing protection.** Under some conditions and duration of use, noise from this product may contribute to hearing loss. Be aware of the following factors influencing exposure to noise:

- ◆ Use saw blades designed to reduce the emitted noise,
- ◆ Use only well sharpened saw blades, and
- ◆ Use specifically designed noise-reduction saw blades.

### Labels on tool

The following pictograms along with the date code are shown on the tool:



**Warning!** To reduce the risk of injury, the user must read the instruction manual.



Wear safety glasses or goggles



Wear ear protection



Wear a dust mask



This product is not to be used by children under 16



Keep hands away from blade



No Hands Zone - Keep fingers and arms away from rotational saw blades



Wear gloves when handling saw blades



Do not stare at operating lamp



Do not expose to rain.



Disconnect the mains plug if the cord becomes damaged or entangled.

### Electrical safety



This tool is double insulated; therefore no earth wire is required. Always check that the power supply corresponds to the voltage on the rating plate.

- ◆ If the supply cord is damaged, it must be replaced by the manufacturer or an authorised BLACK+DECKER Service Centre in order to avoid a hazard.

### Voltage drops

Inrush currents cause short-time voltage drops. Under unfavourable power supply conditions, other equipment may be affected. If the system impedance of the power supply is lower than 0.178 Ω, disturbances are unlikely to occur.

### Using an extension cable

Always use an approved extension cable suitable for the power input of this tool (see technical data). Before use, inspect the extension cable for signs of damage, wear and ageing. Replace the extension cable if damaged or defective. When using a cable reel, always unwind the cable completely. Use of an extension cable not suitable for the power input of the tool or which is damaged or defective may result in a risk of fire and electric shock.

### Features

This tool includes some or all of the following features.

1. Slide bars

2. Bevel lock knob
3. Support stand
4. Work piece clamp
5. Table extension rail
6. Bolt holes
7. Mitre angle indicator
8. Table insert
9. Mitre lock knob
10. Base plate
11. Rotary table
12. Rear fence
13. Saw blade
14. Blade guard
15. Safety guard mounting plate
16. Motor housing
17. Saw head locking pin
18. Main handle
19. Trigger switch
20. Safety release lever
21. Cut line light on/off button
22. Carry handle
23. Dust bag
24. Adjustable support foot
25. Bevel angle indicator
26. Mitre angle scale
27. Bevel angle scale
28. Slide bar locking screw
29. Depth of cut screw
30. Blade change tool
31. Spindle lock
32. Mitre lock release
33. Extension rail locking screw
34. Clamp lock screw
35. Slide fence locking screw
36. Cable wrap

## Assembly

Your mitre saw is part assembled in the carton.

- ◆ Open the box and lift the saw out.
- ◆ Place the saw on a smooth, flat surface such as a workbench or strong table.
- ◆ Examine Assembly diagram on page 2 of this manual to become familiar with the saw and its various parts. The section on adjustments will refer to these terms and you must know what and where the parts are.
- ◆ When the tool is shipped, the handle is locked in the lowered position by the saw head locking pin (17). Pull the saw head locking pin (17) and rotate it 90°, either clockwise or counterclockwise as shown in figure A.
- ◆ The mitre locking knob (9) is not assembled for shipping. Remove the mitre locking knob (9) from the packaging and screw onto the saw, see figure B for position.

## Table extension rail (Fig. C & D)

Your mitre saw is supplied with 2 table extension rails (5) to support long overhanging workpieces.

- ◆ Pull the table extension rail (5) to the required length for the workpiece as shown in figure C.
- ◆ Secure in position by tightening the extension rail locking screw (33), as shown in figure D.
- ◆ Repeat the process on opposite side.

## Support stand - BES710 only (Fig. E)

Your BES710 mitre saw is supplied with 1 support stand (3), located at the rear of the unit, to enhance stability.

## Bench mounting (Fig. F)

The mitre saw can be bolted with four bolts (6a) (not provided) to a level and stable surface using the bolt holes (6) provided in the tools base. This will help prevent tipping and possible injury.

## Dust collection (Fig. G)

The use of the dust bag (23) makes cutting operations clean and dust collection easy.

- ◆ To attach the dust bag (23), fit it onto the dust nozzle (23a).
- ◆ When the dust bag (23) is about half full, remove it from the tool.
- ◆ Empty the dust bag of its contents, tapping it lightly so as to remove particles adhering to the insides which might hamper further collection.

**Note:** If you connect a workshop vacuum to your saw, more efficient and cleaner operations can be performed.

## To install workpiece clamp (Fig. H)

- ◆ Insert the clamp (4) into the hole (4c) behind the fence. The clamp should be facing toward the back of the miter saw. The groove on the clamp rod should be fully inserted into the base. Ensure this groove is fully inserted into the base of the miter saw. If the groove is visible, the clamp will not be secure.
- ◆ Rotate the clamp 180° toward the front of the miter saw.
- ◆ Loosen the knob (4b) to adjust the clamp up or down, then use the fine adjust knob (4a) to firmly clamp the workpiece.

**Note:** Place the clamp on the opposite side of the base when beveling. ALWAYS MAKE DRY RUNS (UNPOWERED) BEFORE FINISH CUTS TO CHECK THE PATH OF THE BLADE. ENSURE THE CLAMP DOES NOT INTERFERE WITH THE ACTION OF THE SAW OR GUARDS.

## Changing or installing a new saw blade (Fig. I, J, K)

**Warning!** To reduce the risk of serious personal injury, turn off the tool and disconnect it from the power source before attempting to move it, change accessories or make any adjustments.

**Warning!** Never depress the spindle lock (31) button while the blade is under power or coasting.

**Warning!** Do not cut ferrous metal (containing iron or steel) or masonry or fiber cement product with this mitre saw.

## Removing the blade

- ◆ Unplug the saw.
- ◆ Raise the arm to the upper position and push the guard (14) up as far as possible.
- ◆ Loosen, but do not remove guard bracket screw (13c) until the bracket can be raised far enough to access the blade screw (13a). Lower guard will remain raised due to the position of the guard bracket screw as shown in figure I.
- ◆ Depress the spindle lock button (31) while carefully rotating the saw blade by hand until the lock engages as shown in figure J.
- ◆ Keeping the button depressed, use the other hand and the blade changing tool provided (30) to loosen the blade screw (13a). (Turn clockwise, left-hand threads.)
- ◆ Remove the blade screw (13a), outer clamp washer (13d), blade (13) and blade adapter (13e), if used. The inner clamp washer (13f) may be left on the spindle.

## Installing a blade

- ◆ Unplug the saw.
- ◆ With the arm raised, the guard held open and the guard bracket raised, place the blade on the spindle, onto the blade adapter and against the inner blade clamp with the teeth at the bottom of the blade pointing toward the back of the saw.
- ◆ Assemble the outer clamp washer onto the spindle.
- ◆ Install the blade screw and, engaging the spindle lock, tighten the screw firmly with wrench provided (turn counterclockwise, left-hand threads).

## Adjusting the mitre angle (Fig. L)

- ◆ Loosen the grip (9) by turning counterclockwise.
- ◆ Use the mitre lock release (32) to move the rotary table (11) to the position where the pointer (7) points to the desired angle on the mitre scale (26), tighten the grip clockwise.
- ◆ The adjustable support foot (24) is to help keep the tool in balance. After each mitre angle adjustment, you should turn knob on the foot clockwise or counterclockwise until its bottom touches the ground. There are two positions depending on the depth of your work bench.

## Cutting depth

If you want to cut a groove you can set the depth of cut using the depth of cut screw (29) or the blade.

- ◆ Turn the depth of cut screw (29) and fix with the counter nut.

## Fence adjustment

Before bevel cutting, make sure that no part of the tool contacts the fence (12) when lowering and raising the handle fully at any position and pulling or pushing the carriage all the way at the lowest position. Before operating the tool, make sure that the sliding fence is secured by the slide fence locking screw (35) firmly.

**Warning!** When performing bevel cuts, slide the sliding fence to the left and secure. Otherwise, it will contact the blade or a part of the tool, causing possible serious injury to the operator.

This tool is equipped with the sliding fence which should ordinarily be positioned central. However, when performing left bevel cuts, set it to the left position if the tool head contacts it. When bevel cutting operations are complete, don't forget to return the sliding fence to the original position and secure it by firmly tightening the slide fence locking screw (35).

## Adjusting the bevel angle (Fig. M)

When tilting the carriage to the left, loosen the lever (2) at the rear of the tool counterclockwise. Unlock the arm by pushing the handle somewhat strongly in one direction only.

- ◆ Tilt the saw blade until the pointer (25) points to the desired angle on the bevel scale (27).
- ◆ Tighten the lever (2) clockwise firmly to secure the arm.

**Warning!** When tilting the saw blade, be sure to raise the handle fully. After changing the bevel angle, always secure the arm by tightening the lever clockwise.

**Warning!** When tilting the saw blade, always be aware of the weight of the head and make sure to avoid it crashing over.

## Switch action (Fig. N)

**Caution!** Before plugging in the tool, always check to see that the switch trigger (19) actuates properly and returns to the "OFF" position when released.

- ◆ To start the tool, move the safety release lever (20) to the right with your index finger.
- ◆ Press the switch trigger (19).
- ◆ To stop the tool, release the switch trigger (19).

**Warning!** Never use tool without a fully operative switch trigger. Any tool with an inoperative switch is HIGHLY DANGEROUS and must be repaired before usage.

### Use of Cut line System (Fig. N)

**Note:** The mitre saw must be connected to a power source. The Cut line System is equipped with an on/off switch (21). The Cut line System is independent of the mitre saw's trigger switch.

The light does not need to be on in order to operate the saw. To cut through an existing pencil line on a piece of wood:

- ◆ Turn on the Cut line system, then pull down on the operating handle (18) to bring the saw blade close to the wood. The shadow of the blade will appear on the wood.
- ◆ Align the pencil line with the edge of the blade's shadow. You may have to adjust the mitre or bevel angles in order to match the pencil line exactly.

### Crosscuts

A crosscut is made by cutting wood across the grain at any angle. A straight crosscut is made with the miter arm at the zero degree position. Set and lock the miter arm at zero, hold the wood firmly on the table and against the fence. With the rail lock knob tightened, turn on the saw by squeezing the trigger switch (19).

When the saw comes up to speed (about 1 second) lower the arm smoothly and slowly to cut through the wood. Let the blade come to a full stop before raising arm. When cutting anything larger than a 51mm x 102mm, use an out-down-back motion with the rail lock knob loosened. Pull the saw out, toward you, lower the saw head down toward the workpiece, and slowly push the saw back to complete the cut. Do not allow the saw blade to contact the top of the workpiece while pulling out. The saw may run toward you, possibly causing personal injury or damage to the workpiece.

**Warning!** Always use a work clamp to maintain control and reduce the risk of workpiece damage and personal injury.

**Note:** The rail lock knob must be loose to allow the saw to slide along its rails.

Miter crosscuts are made with the miter arm at some angle other than zero. This angle is often 45° for making corners, but can be set anywhere from zero to 47° left or 47° right. Make the cut as described above.

To cut through an existing pencil line on a piece of wood, match the angle as close as possible. Cut the wood a little too long and measure from the pencil line to the cut edge to determine which direction to adjust the miter angle and recut. This will take some practice, but it is a commonly used technique.

### Body and hand position (Fig. O1 – O4)

Proper positioning of your body and hands when operating the miter saw will make cutting easier, more accurate and safer. Never place hands near cutting area. Place hands no closer than 152 mm from the blade. Hold the workpiece tightly to the table and the fence when cutting. Keep hands in position until the trigger has been released and the blade has completely stopped. ALWAYS MAKE DRY RUNS

(UNPOWERED) BEFORE FINISH CUTS SO THAT YOU CAN CHECK THE PATH OF THE BLADE. DO NOT CROSS HANDS, AS SHOWN IN FIGURE O3 and O4.

Keep both feet firmly on the floor and maintain proper balance. As you move the miter arm left and right, follow it and stand slightly to the side of the saw blade. Sight through the guard louvers when following a pencil line.

### Bevel square to table adjustment (Fig. P)

To align the blade square to the table, lock the arm in the down position with the lock down pin. Place a square against the blade, ensuring the square is not on top of a tooth. Loosen the bevel lock knob and ensure the arm is firmly against the 0° bevel stop. Rotate the 0° bevel adjustment screw with the 10 mm spanner (not provided) as necessary so that the blade is at 0° bevel to the table, as measured with the square.

### Cutting picture frames, shadow boxes and other four-sided projects (Fig. Q1, Q2)

To best understand how to make the items listed here, we suggest that you try a few simple projects using scrap wood until you develop a "feel" for your saw. Your saw is the perfect tool for mitering corners like the one shown in Figure Q1. Sketch A in Figure Q2 shows a joint made by using the bevel adjustment to bevel the edges of the two boards at 45° each to produce a 90° corner. For this joint the miter arm was locked in the zero position and the bevel adjustment was locked at 45°. The wood was positioned with the broad flat side against the table and the narrow edge against the fence. The cut could also be made by mitering right and left with the broad surface against the fence.

### Cutting trim molding and other frames (Fig. Q2)

Sketch B in Figure Q2 shows a joint made by setting the miter arm at 45° to miter the two boards to form a 90° corner. To make this type of joint, set the bevel adjustment to zero and the miter arm to 45°. Once again, position the wood with the broad flat side on the table and the narrow edge against the fence.

Figures Q1 and Q2 are for four-sided objects only. As the number of sides changes, so do the miter and bevel angles. The chart below gives the proper angles for a variety of shapes.

Number of Sides	Miter or Bevel Angle
4	45°
5	36°
6	30°
7	25.7°
8	22.5°
9	20°
10	18°

The chart assumes that all sides are of equal length. For a shape that is not shown in the chart, use the following formula: 180° divided by the number of sides equals the miter (if the material is cut vertically) or bevel angle (if the material is cut laying flat).

### Cutting compound miters (fig. Q3)

A compound miter is a cut made using a miter angle and a bevel angle at the same time. This is the type of cut used to make frames or boxes with slanting sides like the one shown in figure Q3.

**Note:** If the cutting angle varies from cut to cut, check that the bevel lock knob and the miter lock handle are securely locked. These must be locked after making any changes in bevel or miter.

### Cutting base molding (Fig. R)

#### Straight 90° cuts:

Position the wood against the fence and hold it in place as shown in Figure R. Turn on the saw, allow the blade to reach full speed and lower the arm smoothly through the cut.

#### Cutting base molding up to 70 mm / 90 mm high vertically against the Fence

BES700 - 70 mm for 216 mm  
BES710 - 90 mm for 254 mm

Position material as shown in Figure R All cuts should be made with the back of the molding against the fence and with the bottom of the molding against the table.

	Inside Corner	Outside Corner
Left Side	Miter left 45° Save left side of cut	Miter right 45° Save left side of cut
Right Side	Miter right 45° Save right side of cut	Miter left 45° Save right side of cut

Material up to 70 mm / 90mm can be cut as described above.  
BES700 - 70 mm for 216 mm  
BES710 - 90 mm for 254 mm

### Cutting crown molding

In order to fit properly, crown molding must be compound mitered with extreme accuracy. The two flat surfaces on a given piece of crown molding are at angles that, when added together, equal exactly 90°. Most, but not all, crown molding has a top rear angle (the section that fits flat against the ceiling) of 52° and a bottom rear angle (the part that fits flat against the wall) of 38°.

Your miter saw has special pre-set miter detent points at 31.6° left and right for cutting crown molding at the proper angle. There is also a mark on the bevel scale at 33.9°.

The Bevel Setting/Type of Cut chart gives the proper settings for cutting crown molding. (The numbers for the miter and bevel settings are very precise and are not easy to accurately set on your saw.) Since most rooms do not have angles of precisely 90°, you will have to fine tune your settings anyway.

#### Instructions for cutting crown molding laying flat and using the compound features

- ◆ Lay the molding with broad back surface down flat on saw table (fig. S1).
- ◆ The settings below are for all Standard crown molding with 52° and 38° angles.

Bevel Setting	Type Of Cut
33.9°	LEFT SIDE, INSIDE CORNER: 1. Top of molding against fence 2. Miter table set right 31.6° 3. Save left end of cut
33.9°	RIGHT SIDE, INSIDE CORNER: 1. Bottom of molding against fence 2. Miter table set left 31.6° 3. Save left end of cut
33.9°	LEFT SIDE, OUTSIDE CORNER: 1. Bottom of molding against fence 2. Miter table set left 31.6° 3. Save right end of cut
33.9°	RIGHT SIDE, OUTSIDE CORNER: 1. Top of molding against fence 2. Miter table set right 31.6° 3. Save right end of cut

**Note:** When setting bevel and miter angles for all compound miters, remember that the angles presented for crown moldings are very precise and difficult to set exactly. Since they can easily shift slightly and very few rooms have exactly square corners, all settings should be tested on scrap molding.

**Alternative method for cutting crown molding**

Place the molding at an angle between the fence (12) and the saw table (11), with the top side of the molding on the table and the bottom side of the molding on the fence as shown in figure S2.

The advantage to cutting crown molding using this method is that no bevel cut is required. Minute changes in the miter angle can be made without affecting the bevel angle. This way, when corners other than 90° are encountered, the saw can be quickly and easily adjusted for them.

**Instructions for cutting crown molding angled between the fence and base of the saw for all cuts**

This saw can cut up to 14 mm x 92 mm crown molding nested.

- ◆ Angle the molding so the bottom of the molding (part which goes against the wall when installed) is against the fence (12) and the top of the molding is resting on the saw table (11), as shown in figure S2.
- ◆ The angled "flats" on the back of the molding must rest squarely on the fence and saw table.

	Inside Corner	Outside Corner
Left Side	Miter right at 45° Save right side of cut	Miter left at 45° Save right side of cut
Right Side	Miter left at 45° Save left side of cut	Miter right at 45° Save left side of cut

**Special Cuts**

Never make any cut unless the material is secured on the table and against the fence.

**Bowed material (fig. T1, T2)**

When cutting bowed material always position it as shown in figure T1 and never like that shown in figure T2. Positioning the material incorrectly will cause it to pinch the blade near the completion of the cut.

**Cutting round material**

Rounded material should be clamped or held firmly to the fence to keep it from rolling. This is extremely important when making angle cuts.

**Cutting large material (fig. U)**

Occasionally you will encounter a piece of wood a little too large to fit beneath the lower guard.

To clear the guard over the wood, with the saw off and your right hand on the operating handle, place your right thumb outside of the upper portion of the guard and roll the guard up just enough to clear the wood, as shown in figure U. Release the guard prior to starting the motor. The guard mechanism will function properly during the cut. Only do this when necessary.

NEVER TIE, TAPE, OR OTHERWISE HOLD THE GUARD OPEN WHEN OPERATING THIS SAW.

**Warning!** Always be sure that the tool is switched off and unplugged before adjusting or checking the tools function.

**After use**

- ◆ After use, wipe off chips and dust adhering to the tool with a cloth or the like.
- ◆ Keep the blade guard clean according to the directions in the previously covered section.
- ◆ Lubricate the sliding portions with machine oil to prevent rust.
- ◆ When storing the tool, pull the carriage toward you fully.

**Carrying the tool**

- ◆ Make sure the tool is unplugged.
- ◆ Secure the blade at the 0° bevel angle and turn the base to the right mitre angle fully with the slide bar locking screw (28).
- ◆ Secure the slide bars after pulling the carriage toward you fully.
- ◆ Lower the handle fully and lock it in the position by pushing in the saw head locking pin (17).
- ◆ Carry the tool by holding the carry handle (22).
- ◆ If you remove the clamp, dust bag, etc., you can carry the tool more easily.
- ◆ Carry the tool by one hand holding the carrying handle (22) and one hand holding the tool base.

**Caution!** Always secure all moving portions before carrying the tool.

Saw head locking pin (17) is for carrying and storage purposes only and not for any cutting operations.

**Troubleshooting**

Problem	Possible Cause	Solution
Motor does not start	Saw not plugged in.	Check that all cords are plugged in.
Angle of cut inaccurate	Mitre table unlocked.	Use mitre table locking lever (see Adjusting the mitre angle section).
	Too much sawdust under table.	Vacuum or blow out dust. Wear eye protection.
Cutting arm cannot fully raise, or blade guard cannot fully close	Parts Failure.	Contact service centre.
	Pivot spring not replaced properly after service.	Contact service centre.
	Sawdust build up.	Clean and lubricate moving parts.
Blade binds, jams or shakes	Saw head locking pin not set properly.	Check, adjust, and properly set saw head locking pin.
	Saw blade damaged.	Replace blade.
	Dull blade.	Replace or sharpen blade.
	Improper blade.	Replace blade.
	Warped blade.	Replace blade.

## ENGLISH

Problem	Possible Cause	Solution
Saw vibrates or shakes	Saw blade damaged.	Replace blade.
	Saw blade loosened.	Tighten arbor bolt.
	Saw not properly fastened down.	Fasten saw to bench, stand or table.
	Work piece not properly supported.	Properly support or clamp work piece.

### Protecting the environment



Separate collection. Products and batteries marked with this symbol must not be disposed of with normal household waste.

Products and batteries contain materials that can be recovered or recycled reducing the demand for raw materials. Please recycle electrical products and batteries according to local provisions. Further information is available at [www.2helpU.com](http://www.2helpU.com)

### Technical data

		BES700 Type 1	BES710 Type 1
Voltage	V	230	230
Speed	/min	4800	5000
Blade outer diameter	mm	216	254
Bore diameter	mm	30	30
Weight	kg	12.1	14.9
Blade thickness	mm	1.8	1.8
Blade max. kerf	mm	2.8	2.8
Mitre (max. positions)	°	+/- 47	+/- 47
Bevel (max. positions)	°	47	47
Max. cross-cut capacity at 90 °	mm	305	305
Max mitre capacity at 45 °	mm	203	203
Max. dept cut at 90 °	mm	70	90
Max. dept cut at 45 °	mm	35	40

#### BES700 - Level of sound pressure according to EN 62841:

$L_{pA}$ (sound pressure) 97.5 dB(A), Uncertainty (K) 3 dB(A)
$L_{WA}$ (sound power) 108.0 dB(A), Uncertainty (K) 3 dB(A)

#### BES710 - Level of sound pressure according to EN 62841:

$L_{pA}$ (sound pressure) 96.0 dB(A), Uncertainty (K) 3 dB(A)
$L_{WA}$ (sound power) 107.5 dB(A), Uncertainty (K) 3 dB(A)

### EC declaration of conformity MACHINERY DIRECTIVE



BES700, BES710 Sliding Compound Mitre Saw

Black & Decker declares that these products described under "technical data" are in compliance with:  
EN62841-1:2015, EN62841-3-9:2015+A11:2017

**These products also comply with Directive 2006/42/EC, 2014/30/EU and 2011/65/EU.**

For more information, please contact Black & Decker at the following address or refer to the back of the manual.

The undersigned is responsible for compilation of the technical file and makes this declaration on behalf of Black & Decker.

A. P. Smith  
Technical Director  
Black & Decker Europe, 210 Bath Road, Slough,  
Berkshire, SL1 3YD  
United Kingdom  
26/08/2019

### Guarantee

Black & Decker is confident of the quality of its products and offers consumers a 24 month guarantee from the date of purchase. This guarantee is in addition to and in no way prejudices your statutory rights. The guarantee is valid within the territories of the Member States of the European Union and the European Free Trade Area.

To claim on the guarantee, the claim must be in accordance with Black & Decker Terms and Conditions and you will need to submit proof of purchase to the seller or an authorised repair agent. Terms and conditions of the Black & Decker 2 year guarantee and the location of your nearest authorised repair agent can be obtained on the Internet at [www.2helpU.com](http://www.2helpU.com), or by contacting your local Black & Decker office at the address indicated in this manual.

Please visit our website [www.blackanddecker.co.uk](http://www.blackanddecker.co.uk) to register your new BLACK+DECKER product and receive updates on new products and special offers.



## Назначение

Ваша универсальная торцовочная пила с протяжкой BLACK+DECKER BES700, BES710 предназначена для распила древесины, пластика и цветных металлов. Данный инструмент предназначен для бытового использования.

## Правила техники безопасности

### Общие правила безопасности при работе с электроинструментом



**Осторожно!** Прочитайте все правила техники безопасности, инструкции, иллюстрации и спецификации по данному электроинструменту. Несоблюдение представленных ниже предупреждений и инструкций может привести к поражению электрическим током, возгоранию и/или тяжелым травмам.

**Сохраните все инструкции для последующего обращения к ним.** Термин «электроинструмент» во всех приведенных ниже предупреждениях относится к питаемому от электросети (проводному) или от аккумуляторных батарей (беспроводному) электроинструменту.

#### 1. Безопасность на рабочем месте

- a. **Содержите рабочее место в чистоте и обеспечьте его хорошую освещенность.** Плохое освещение или беспорядок на рабочем месте может привести к несчастному случаю.
- b. **Не используйте электроинструмент во взрывоопасной атмосфере, например, при наличии горючих жидкостей, газов или пыли.** Искры, которые появляются при работе электроинструмента, могут привести к воспламенению пыли или паров.
- c. **Не разрешайте детям и посторонним лицам находиться рядом с вами при работе с электроинструментом.** Отвлекаясь от работы, вы можете потерять контроль над инструментом.

#### 2. Электробезопасность

- a. **Сетевые вилки электроинструмента должны соответствовать розеткам. Никогда не меняйте вилку инструмента. Запрещается использовать переходники к вилкам для электроинструментов с заземлением.** Использование оригинальных штепсельных вилок, соответствующих типу сетевой розетки, снижает риск поражения электрическим током.
- b. **Следует избегать контакта с заземленными поверхностями, такими как трубы, радиаторы,**

**батареи и холодильники.** Если вы будете заземлены, увеличивается риск поражения электрическим током.

- c. **Не допускайте нахождения электроинструментов под дождем или в условиях повышенной влажности.** Попадание воды в электроинструмент может привести к поражению электрическим током.
  - d. **Бережно обращайтесь с кабелем питания. Никогда не используйте кабель для переноски инструмента, не тяните за него, пытайтесь отключить инструмент от сети. Держите кабель подальше от источников тепла, масла, острых углов или движущихся предметов.** Поврежденный или запутанный кабель питания повышает риск поражения электротоком.
  - e. **При работе с электроинструментом вне помещения необходимо пользоваться удлинительным кабелем, рассчитанным на эксплуатацию вне помещения.** Использование кабеля, предназначенного для применения на открытом воздухе, снижает риск поражения электрическим током.
  - f. **При необходимости эксплуатации электроинструмента в местах с повышенной влажностью используйте устройство защиты от токов замыкания на землю (УЗО).** Использование УЗО сокращает риск поражения электрическим током.
3. **Обеспечение индивидуальной безопасности**
    - a. **При работе с электроинструментом сохраняйте бдительность, следите за своими действиями и пользуйтесь здравым смыслом. Запрещается работать с электроинструментом в состоянии усталости, наркотического, алкогольного опьянения или под воздействием лекарственных препаратов.** Минутная невнимательность при работе с электроинструментом может привести к серьезным травмам.
    - b. **Используйте средства индивидуальной защиты. Всегда используйте защитные очки.** Средства защиты, такие как пылезащитная маска, обувь на нескользящей подошве, каска и защитные наушники, используемые при работе, уменьшают риск получения травм.
    - c. **Примите меры для предотвращения случайного включения. Перед тем как подключить электроинструмент к сети и/или аккумуляторной батарее, взять инструмент или перенести его на другое место, убедитесь в том, что выключатель находится в положении «Выкл.»** Если при переноске электроинструмента он подключен к сети, и при этом ваш палец находится на выключателе, это может стать причиной несчастных случаев.

- d. Уберите все регулировочные или гаечные ключи перед включением электроинструмента. Ключ, оставленный на вращающейся части электроинструмента, может привести к травме.
- e. Не пытайтесь дотянуться до слишком удаленных поверхностей. Обувь должна быть удобной, чтобы вы всегда могли сохранять равновесие. Это позволит лучше контролировать электроинструмент в непредвиденных ситуациях.
- f. Надевайте подходящую одежду. Избегайте носить свободную одежду и ювелирные украшения. Следите за тем, чтобы волосы и одежда не попадали под движущиеся детали. Возможно наматывание свободной одежды, ювелирных изделий и длинных волос на движущиеся детали.
- g. При наличии устройств для подключения оборудования для удаления и сбора пыли необходимо обеспечить правильность их подключения и эксплуатации. Использование устройства для пылеудаления сокращает риски, связанные с пылью.
- h. Не позволяйте хорошему знанию от частого использования инструментов стать причиной самонадеянности и игнорирования правил техники безопасности. Небрежное действие может повлечь серьезные травмы за долю секунды.
4. Эксплуатация электроинструмента и уход за ним
- a. Избегайте чрезмерной нагрузки электроинструмента. Используйте электроинструмент в соответствии с назначением. Правильно подобранный электроинструмент выполнит работу более эффективно и безопасно при стандартной нагрузке.
- b. Не используйте электроинструмент, если не работает его выключатель. Любой электроинструмент, управляя выключением и включением которого невозможно, опасен, и его необходимо отремонтировать.
- c. Перед выполнением любой регулировки, заменой дополнительных приспособлений или хранением электроинструмента отключите устройство от сети или извлеките батарею из устройства. Такие превентивные меры безопасности сокращают риск случайного включения электроинструмента.
- d. Храните электроинструмент в недоступном для детей месте и не позволяйте работать с инструментом людям, не имеющим соответствующих навыков работы с такого рода инструментами. Электроинструмент представляет опасность в руках неопытных пользователей.
- e. Поддерживайте электроинструмент и принадлежности в исправном состоянии. Проверьте движущиеся детали на точность совмещения или заклинивание, помолку либо какие-либо другие условия, которые могут повлиять на эксплуатацию электроинструмента. В случае обнаружения повреждений, прежде чем приступить к эксплуатации электроинструмента, его нужно отремонтировать. Большинство несчастных случаев происходит из-за электроинструментов, которые не обслуживаются должным образом.
- f. Необходимо содержать режущий инструмент в остро заточенном и чистом состоянии. Вероятность заклинивания инструмента, за которым следят должным образом и который хорошо заточен, значительно меньше, а работать с ним легче.
- g. Используйте данный электроинструмент, а также дополнительные приспособления и насадки в соответствии с данными инструкциями и с учетом условий и специфики работы. Использование электроинструмента для работ, для которых он не предназначен, может привести к несчастным случаям.
- h. Все рукоятки и поверхности захватывания должны быть сухими и без следов смазки. Скользкие рукоятки и поверхности не позволяют обеспечить безопасность работы и управления инструментом в непредвиденных ситуациях.
5. Обслуживание
- a. Обслуживание электроинструмента должно выполняться только квалифицированным техническим персоналом. Это позволит обеспечить безопасность обслуживаемого электроинструмента.
- Инструкции по технике безопасности для торцовочных пил**
- ◆ Торцовочные пилы предназначены для распиловки древесины или изделий из дерева; их нельзя использовать с абразивными отрезными кругами для резки материалов, содержащих черные металлы, таких как болванки, прутья, заклепки и т. п. Абразивная пыль приводит к заклиниванию движущихся частей наподобие нижнего защитного кожуха. Искры от абразивной резки сожгут нижний защитный кожух, пластину для пропила и другие детали из пластмассы.
  - ◆ По мере возможности используйте зажимы, чтобы поддерживать заготовку. При поддержке заготовки рукой, всегда держите руку на расстоянии в по крайней мере 100 мм от обеих сторон пильного диска. Не используйте эту пилу для резки заготовок, которые слишком малы, чтобы их

надежно зафиксировать или удержать рукой. Если ваша рука расположена слишком близко к пильному диску, то это создает повышенные риск получения травмы от контакта с диском.

- ◆ **Заготовка должна быть неподвижной и зафиксированной по отношению к направляющей и столу. Никогда не подавайте под движущийся пильный диск и не выполняйте распил «от руки».** Незафиксированные или подвижные заготовки могут быть выброшены с высокой скоростью, что может повлечь за собой травмы.
- ◆ **Толкайте пилу от себя по заготовке. Не тяните пилу через заготовку на себя. Чтобы выполнить распил, поднимите головку пилы и вытяните ее над заготовкой без распила, запустите электродвигатель, опустите головку пилы и толкайте пилу от себя по заготовке.** Попытка выполнить распил во время вытягивания с большой вероятностью приведет к тому, что пильный диск выскочит вверх из заготовки, а узел диска будет резко отброшен в сторону оператора.
- ◆ **Ни в коем случае не пересекайте линию предполагаемого реза рукой перед или за пильным диском.** Удерживание заготовки «крест-накрест», т. е. удерживая заготовку справа от пильного пила левой рукой или наоборот, является очень опасным.
- ◆ **Не пытайтесь дотянуться до задней стороны направляющей и не поднесите руки на расстояние ближе 100 мм от каждой стороны пильного диска, чтобы удалить обрезки древесины или по какой-либо другой причине, пока диск вращается.** Расстояние до пильного диска может быть меньше, чем кажется, в результате чего создается риск тяжелых травм.
- ◆ **Проверяйте свои заготовки перед распиловкой. Если заготовка искривлена или изогнута, зафиксируйте ее внешней изогнутой стороной лицом к направляющей. Всегда проверяйте отсутствие зазора между заготовкой, направляющей и столом по линии реза.** Пognутые или искривленные заготовки могут перекосяться или сместиться, что может заклинить пильный диск во время резки. В заготовке не должно быть гвоздей или посторонних предметов.
- ◆ **Не используйте пилу, пока не очистите стол от всех инструментов, обрезков и всего прочего, кроме заготовки.** Мелкий мусор или куски древесины или другие предметы, касающиеся вращающегося диска, могут быть отброшены с высокой скоростью.
- ◆ **Распиливайте по одной заготовке за раз.** Уложенные рядом несколько заготовок невозможно

зафиксировать или закрепить, что может привести к заклиниванию диска или смещению во время распиловки.

- ◆ **Убедитесь, что торцовочная пила расположена на ровной, твердой рабочей поверхности во время использования.** Ровная и твердая рабочая поверхность снижает риск неустойчивости торцовочной пилы.
- ◆ **Планируйте свою работу. При каждом изменении настроек угла скоса или наклона, убедитесь, что регулируемая направляющая правильно установлена, чтобы поддерживать заготовку и не мешать диску или системе защитных кожухов.** Не включая инструмент и без заготовки на столе, проведите пильный диск по воображаемой линии реза, чтобы убедиться в отсутствии помех или риска разрезать направляющую.
- ◆ **Обеспечьте достаточную опору с помощью удлинений стола, пильных козлов и т. п. для заготовок, которые шире или длиннее столешницы.** Не поддерживаемые должным образом заготовки, длина или ширина которых больше распиловочного стола, во время пиления могут подняться или наклониться. Приподнявшаяся заготовка или отрезная часть заготовки может поднять нижний защитный кожух или отброшена в сторону вращающимся пильным диском.
- ◆ **Не используйте других лиц в качестве замены удлинения стола или в качестве дополнительной опоры.** Неустойчивая опора для заготовки может привести к заклиниванию диска или к смещению заготовки по время распиловки, что может затянуть и вас, и помощника под вращающийся диск.
- ◆ **Обрезки не следует зажимать или прижимать каким-либо образом к вращающемуся пильному диску.** Если зажать отрезной конец, например, ограничителями длины, он может попасть под диск и быть резко отброшен в сторону.
- ◆ **Всегда используйте соответствующие зажимы или фиксаторы для надлежащей поддержки круглых материалов, таких как брусья или трубы.** Брусья имеют свойство катиться при распиловке, что приводит к заклиниванию диска внутри и втягиванию заготовки вместе с вашей рукой под диск.
- ◆ **Перед подачей заготовки дождитесь, пока двигатель наберет полные обороты.** Это снижает риск отбрасывания заготовки.
- ◆ **Если заготовка или диск застряли, выключите торцовочную пилу. Дождитесь остановки всех движущихся частей, отсоедините вилку от источника питания и/или извлеките батарею. Затем**

высвободите застрявший материал. Продолжение распиловки с застрявшей заготовкой может привести к потере контроля или повреждению торцовочной пилы.

- ◆ По завершении распиловки, отпустите выключатель, удерживайте головку пилы в опущенном положении и дождитесь остановки диска, прежде чем начать уборку обрезков. Не держите руку рядом с диском во время выбега, так как это представляет опасность.

### Дополнительные инструкции по технике безопасности для торцовочных пил

- ◆ Крепко удерживайте рукоятку при выполнении неполного реза или при отпуске выключателя до того, как головка пилы будет в полностью опущенном положении. Торможение пилы может привести к резкому затягиванию головки пилы вниз, что создает риск получения травмы.
- ◆ Далее в руководстве приводятся виды работ, для которых предназначен данный инструмент. Применение любых принадлежностей и приспособлений, а также выполнение любых операций помимо тех, которые рекомендованы данным руководством, может привести к травме.
- ◆ Не используйте треснувшие, погнутые, поврежденные или деформированные пильные диски.
- ◆ Замените пластину для пропила в случае ее износа.
- ◆ Не используйте диски меньшего или большего диаметра по сравнению с рекомендованными. См. размеры дисков в технических характеристиках. Используйте только те диски, что указаны в данном руководстве, соответствующие стандарту EN 847-1.
- ◆ Не используйте пильные диски из быстрорежущей стали.



**Осторожно!** Контакт с пылью или вдыхание пыли, возникающей в ходе пиления, может представлять опасность для здоровья оператора и находящихся поблизости лиц. Надевайте пылезащитную маску, которая специально предназначена для защиты от пыли и испарений, и обеспечивает защиту для людей, выполняющих эту работу или находящихся в зоне проведения работ.

- ◆ Не работайте с материалами, содержащими асбест. Асбест признан канцерогенным веществом.
- ◆ При касании пильных дисков и заготовок из грубого материала надевайте защитные перчатки (по возможности держите пильные диски в футлярах).
- ◆ Используйте защитные наушники для снижения риска потери слуха.

- ◆ Рекомендуется использовать специальные пильные диски с пониженным уровнем шума.
- ◆ Используйте защитные очки для снижения риска получения травмы.
- ◆ При распиле древесины используйте входящий в комплект поставки пылесборник.
- ◆ При выполнении работ, когда есть вероятность того, что режущий инструмент может коснуться скрытой проводки или собственного сетевого кабеля, держите силовой инструмент за изолированные поверхности.

Если вы держитесь за металлические детали инструмента, то в случае перерезания находящегося под напряжением провода, возможно поражение оператора электрическим током.

- ◆ Используйте пильные диски, соответствующие типу разрезаемого материала.
- ◆ Не используйте данный инструмент без установленного защитного кожуха. Не используйте инструмент без установленного защитного кожуха, а также если защитный кожух не функционирует или не обслужен должным образом.
- ◆ Убедитесь в том, что рычаг надежно зафиксирован при выполнении конусной резки.
- ◆ Перед выполнением реза убедитесь в том, что машина устойчива.
- ◆ Поверхность рукояток должна быть сухой, чистой и не содержать следов масла и смазки.
- ◆ Поддерживайте пространство вокруг станка в порядке и не допускайте скапливания обрезков или щепок.
- ◆ Обеспечьте достаточное общее или местное освещение станка и рабочей зоны.
- ◆ Не позволяйте не обученным пользователям использовать данный инструмент.
- ◆ Перед использованием станка убедитесь в правильности установки пильного диска. Убедитесь в том, что диск вращается в правильном направлении. Диск должен быть остро заточенным. Смазку и замену принадлежностей выполняйте в соответствии с инструкциями.
- ◆ Убедитесь в том, что скорость, указанная на пильном диске, соответствует скорости, обозначенной на инструменте.
- ◆ Убедитесь, что все монтажные элементы и шпильные шайбы подходят для применения с данным инструментом, как заявлено BLACK+DECKER.
- ◆ Ремонт системы ведения по линии реза должен выполняться в авторизованных сервисных центрах или сервисным персоналом BLACK + DECKER.
- ◆ Перед заменой диска или выполнением технического обслуживания всегда отключайте инструмент от источника питания.

- ◆ Старайтесь не удалять какие-либо обрезки или другие части заготовки из рабочей области во время работы инструмента, когда пильная головка находится в рабочем положении.
- ◆ Если это возможно, всегда закрепляйте инструмент на верстаке.
- ◆ Перед началом работы убедитесь в том, что все фиксаторы и рукоятки надежно закреплены.
- ◆ Никогда не используйте пилу без пластины для пропила.
- ◆ Никогда не пытайтесь быстро остановить механизм путем прижатия какого-либо инструмента или другого предмета к пильному диску; это может привести к несчастному случаю.
- ◆ Перед использованием любых принадлежностей, прочтите руководство по эксплуатации. Неправильное использование принадлежности может привести к повреждению.
- ◆ Выведите пильный диск из пластины для пропила, прежде чем отпускать выключатель.
- ◆ Не заклинивайте какими-либо предметами крыльчатку вентилятора для удерживания вала двигателя.
- ◆ Защитный кожух пильного диска автоматически поднимается при опускании рычага, и опускается при его поднятии. Защитный кожух можно поднять вручную при установке или снятии дисков или при проверке пилы. Никогда не поднимайте защитный кожух диска вручную, предварительно не выключив пилу.
- ◆ Периодически проверяйте чистоту вентиляционных отверстий двигателя и отсутствие в них щелок.
- ◆ Всегда следите, чтобы предупреждающие символы на инструменте оставались читаемыми.
- ◆ Никогда не вставляйте на электроинструмент. При опрокидывании инструмента или при контакте с пильным диском возможно получение тяжелых травм.
- ◆ Не дотрагивайтесь до пильного диска сразу по окончании работы, дайте ему остыть. Во время работы пильный диск сильно нагревается.
- ◆ Во избежание получения травмы от отскакивающих частиц обрабатываемого материала выключите инструмент, чтобы избежать непреднамеренного пуска, и удалите мелкие частицы.
- ◆ Перед использованием инструмента и после проведения любых операций по техническому обслуживанию убедитесь, что втягивающий механизм защитного кожуха функционирует исправно. Данную проверку следует производить, только когда инструмент выключен и отсоединен от источника питания. Поднимите и опустите рабочую рукоятку, чтобы убедиться, что защитный кожух закрывает пильный диск, а диск не касается кожуха. Если защитный кожух не функционирует должным образом,

отнесите ваш электроинструмент в авторизованный сервисный центр для проведения ремонта.

Чтобы найти адрес ближайшего к вам сервисного центра, позвоните в отдел обслуживания клиентов BLACK+DECKER.

- ◆ **Данная торцовочная пила предназначена только для пиления древесины, пластика и цветных металлов.** Не используйте станок для распила других материалов, кроме рекомендованных изготовителем.
- ◆ Не дотрагивайтесь до пильного диска сразу по окончании работы, дайте ему остыть. Во время работы пильный диск сильно нагревается.



**Осторожно!** Резка пластиков, просмоленной древесины и других подобных материалов может привести к оплавлению материала и скоплению его на зубьях и корпусе пильного диска, увеличивая риск перегрева диска и его заклинивания во время пиления.

### Остаточные риски

При использовании пилы присутствуют следующие риски: Несмотря на соблюдение соответствующих инструкций по технике безопасности и использование предохранительных устройств, некоторые остаточные риски невозможно полностью исключить. К ним относятся:

- ◆ Травмы в результате касания вращающихся/движущихся частей.
- ◆ Ухудшение слуха.
- ◆ Несчастные случаи, происходящие в результате контакта с открытым движущимся пильным диском;
- ◆ Риск получения травмы в результате замены каких-либо частей, дисков или принадлежностей.
- ◆ Риск защемления пальцев при снятии защитного кожуха;
- ◆ Ущерб здоровью в результате вдыхания пыли от распила древесины, в особенности, дуба, бука и ДВП.
- ◆ Травмы, связанные с продолжительным использованием инструмента. При использовании любого инструмента в течение продолжительного периода времени не забывайте делать перерывы.

### Уровень шума

Заявленные значения уровня шума были измерены в соответствии со стандартным методом определения воздействия и могут использоваться при сравнении характеристик различных инструментов. Заявленные значения уровня шума могут также использоваться для предварительной оценки величины воздействия.

**Осторожно!** Значения воздействия шума при работе

с электроинструментом зависят от вида работ, выполняемых данным инструментом, и могут отличаться от заявленных значений.

**Осторожно! Обязательно используйте индивидуальные средства защиты органов слуха.**

В некоторых условиях и во время использования шум данного инструмента может стать причиной нарушения слуха. Учитывайте следующие факторы, влияющие на уровень шума:

- ◆ используйте только те диски, что разработаны специально для уменьшения уровня шума, который появляется со время работы,
- ◆ используйте только хорошо заточенные диски, и
- ◆ используйте пильные диски, специально разработанные для снижения уровня шума.

**Условные обозначения на инструменте**

На инструмент нанесены следующие обозначения вместе с кодом даты:



**Осторожно!** Во избежание риска получения травм, прочитайте инструкцию по применению.



Надевайте защитные очки или маску



Используйте защитные наушники



Надевайте респиратор



Не допускайте детей младше 16 лет к работе данным электроинструментом



Держите руки подальше от диска



Зона «Уберите Руки» - Держите пальцы и руки в стороне от вращающегося пильного диска



Надевайте перчатки при работе с пильными дисками



Не смотрите в источник светоизлучения



Не подвергайте электроинструмент или его элементы воздействию влаги.



Если кабель поврежден или запутался во время работы, извлеките штекер из сетевой розетки.



**Электробезопасность**



Ваш инструмент имеет двойную изоляцию, поэтому заземления не требуется. Необходимо обязательно убедиться, что напряжение источника питания соответствует указанному на паспортной табличке инструмента.

- ◆ Во избежание несчастного случая, замена повреждённого кабеля питания должна производиться только в авторизованном сервисном центре BLACK+DECKER или авторизованным квалифицированным специалистом.

**Перепады напряжения**

При бросках тока возникают кратковременные перепады напряжения. В условиях использования неблагоприятного источника питания это может повлиять на работу другого оборудования. Если сопротивление системы источника питания ниже 0,178 Ом, возникновение нарушений маловероятно.

**Использование удлинительного кабеля**

Всегда используйте только утвержденные удлинительные кабели, рассчитанные на потребляемую мощность данного инструмента (см. Технические характеристики). Перед использованием проверьте удлинительный кабель на наличие повреждений, износа или старения. Замените удлинительный кабель, если он поврежден или неисправен. При использовании кабельного барабана всегда полностью разматывайте кабель. Использование неподходящего удлинителя для подачи питания к инструменту, а также поврежденного удлинителя, создает опасность возгорания и поражения электрическим током.

**Составные части**

Данный инструмент может содержать все или некоторые из перечисленных ниже составных частей.

1. Штанги консоли
2. Зажимная рукоятка установки угла наклона
3. Опорная лапа
4. Зажим для заготовки
5. Выдвижная опора
6. Отверстия для монтажных болтов
7. Указатель угла скоса
8. Пластина для пропила
9. Зажимная рукоятка установки угла скоса
10. Основание
11. Поворотный стол
12. Задняя направляющая
13. Пильный диск
14. Защитный кожух пильного диска
15. Монтажная пластина защитного кожуха



16. Корпус электродвигателя
17. Стопорный штифт пильной головки
18. Основная рукоятка
19. Курковый пусковой выключатель
20. Рычаг разблокировки выключателя
21. Кнопка включения подсветки линии реза
22. Ручка для переноски
23. Пылесборник
24. Регулируемая опорная ножка
25. Указатель угла наклона
26. Шкала угла скоса
27. Шкала угла наклона
28. Крепежный винт штанг консоли
29. Винт регулировки глубины пропила
30. Ключ для смены диска
31. Кнопка блокировки шпинделя
32. Отпирающая рукоятка угла скоса
33. Крепежный винт выдвижной опоры
34. Винт зажима
35. Крепежный винт скользящей направляющей
36. Система намотки кабеля

## Сборка

Ваша торцовочная пила поставляется в полностью собранном виде.

- ◆ Откройте коробку и извлеките из нее пилу.
- ◆ Установите пилу на ровную, плоскую поверхность, такую как верстак или прочный стол.
- ◆ Изучите схему сборки на странице 2 данного руководства по эксплуатации в целях ознакомления с пилой и её составными частями. Раздел по регулировке будет ссылаться на данные определения, поэтому вам нужно знать все части и их расположение.
- ◆ При поставке пилы её рабочая рукоятка заблокирована в нижнем положении при помощи стопорного штифта (17). Оттяните стопорный штифт (17) и поверните его на 90° по или против часовой стрелки, как показано на Рисунке А.
- ◆ Зажимная рукоятка установки угла скоса (9) при поставке не установлена. Извлеките рукоятку установки угла скоса (9) из упаковки и навинтите ее на пилу. Расположение см. на Рисунке В.

## Выдвижная опора (Рис. С и D)

Ваша торцовочная пила поставляется с 2-мя выдвижными опорами (5) для поддержки крупных заготовок.

- ◆ Вытяните выдвижную опору (5) на нужную длину в соответствии с размером заготовки, как показано на Рисунке С.

- ◆ Зафиксируйте ее в этом положении, затянув крепежный винт выдвижной опоры (33), как показано на Рисунке D.
- ◆ Повторите действия на противоположной стороне.

## Опорная лапа - Только BES710 (Рис. E)

Ваша торцовочная пила BES710 поставляется с одной опорной лапой (3), расположенной в задней части инструмента, для обеспечения стабильности.

## Монтаж на верстаке (Рис. F)

Торцовочная пила может быть закреплена с помощью четырех болтов (6а) (не входят в комплект поставки) на ровной и устойчивой поверхности с использованием отверстий для болтов (6), расположенных в основании инструмента. Это поможет предотвратить опрокидывание пилы и возможные травмы.

## Пылеудаление (Рис. G)

Использование пылесборника (23) обеспечивает чистоту при выполнении операций по пиленю и облегчает сбор вырабатываемой пыли.

- ◆ Чтобы установить пылесборник (23), установите его на отверстие пылеудаления (23а).
- ◆ Когда пылесборник (23) заполнится примерно наполовину, снимите его с инструмента.
- ◆ Опорожните содержимое пылесборника, слегка постучав по нему, удаляя прилипшие изнутри частицы, которые могут повлиять на качество последующего сбора пыли.

**Примечание:** При подключении к пиле промышленного пылесоса сбор пыли будет осуществляться чище и более эффективно.

## Установка зажима для заготовки (Рис. H)

- ◆ Вставьте зажим (4) в отверстие (4с) позади направляющей. Зажим должен быть ориентирован на заднюю часть торцовочной пилы. Паз зажима должен полностью войти в основание. Убедитесь в том, что этот паз полностью вошел в основание на торцовочной пиле. Если паз виден, зажим недостаточно хорошо закреплен.
- ◆ Поверните зажим на 180° в сторону передней части торцовочной пилы.
- ◆ Для регулировки зажима вверх или вниз ослабьте рукоятку (4b); для надежного захвата заготовки используйте рукоятку тонкой настройки (4а).

**Примечание:** Установите зажим на противоположной стороне основания при выполнении распила с наклоном. ВСЕГДА ВЫПОЛНЯЙТЕ ПРОБНЫЕ ПРОГОНЫ (БЕЗ НАГРУЗКИ) ДО ТОГО, КАК ВЫПОЛНИТЬ РАЗРЕЗ, ЧТОБЫ ПРОВЕРИТЬ ХОД ПИЛЬНОГО ДИСКА. УБЕДИТЕСЬ, ЧТО ЗАЖИМ НЕ МЕШАЕТ ДЕЙСТВИЯМ ПИЛЫ ИЛИ ЗАЩИТНЫМ КОЖУХОВ.



## Замена или установка нового пильного диска (Рис. I, J, K)

**Осторожно!** В целях снижения риска получения серьезных травм, выключите инструмент и отсоедините его от источника питания перед тем, как его передвигать, менять дополнительные принадлежности или выполнять какую-либо регулировку.

**Осторожно!** Никогда не нажимайте кнопку блокировки шпинделя (31) во время работы или инерционного движения диска.

**Осторожно!** Не используйте данную торцовочную пилу для резки черных металлов (с содержанием чугуна и стали), камня или изделий из волокнистого цемента.

## Снятие диска

- ◆ Отключите пилу от сети.
- ◆ Поднимите пильную головку в самое верхнее положение, затем поднимите защитный кожух (14) на максимальную высоту.
- ◆ Ослабьте, но не удаляйте винт кронштейна защитного кожуха (13с), чтобы стало возможно поднять кронштейн на необходимую высоту, открывая доступ к установочному винту пильного диска (13а). Нижний защитный кожух будет оставаться поднятым, благодаря расположению винта кронштейна, как показано на Рисунке I.
- ◆ Нажмите на кнопку блокировки шпинделя (31), одновременно вращая рукой пильный диск, пока не сработает блокировка, как показано на Рисунке J.
- ◆ Удерживая кнопку нажатой, другой рукой ослабьте установочный винт пильного диска (13а), используя ключ для смены диска (30), входящий в комплект поставки. (Поворачивайте по часовой стрелке, левая резьба.)
- ◆ Удалите винт пильного диска (13а), внешнюю прижимную шайбу (13d), пильный диск (13) и переходник (13е), если используется. Внутреннюю прижимную шайбу (13f) можно оставить на шпинделе.

## Установка диска

- ◆ Отключите пилу от сети.
- ◆ С поднятой пильной головкой, открытым защитным кожухом и поднятым кронштейном защитного кожуха установите пильный диск на шпиндель, усадив его на адаптер вплотную к внутреннему зажиму диска и следя за тем, чтобы нижние зубья диска были направлены в сторону задней части пилы.
- ◆ Установите на шпиндель внешнюю прижимную шайбу.
- ◆ Вставьте винт пильного диска и, нажав на кнопку блокировки шпинделя, затяните с усилием винт ключом, входящим в комплект поставки инструмента (левосторонняя резьба, поворачивайте ключ против часовой стрелки).

## Регулировка угла скоса (Рис. L)

- ◆ Ослабьте рукоятку (9), повернув её против часовой стрелки.
- ◆ Используя отпирающую рукоятку угла скоса (32), передвиньте поворотный стол (11) в положение, при котором указатель (7) будет указывать на нужный угол на шкале угла скоса (26), затем затяните рукоятку по часовой стрелке.
- ◆ Регулируемая опорная ножка (24) поможет сохранить равновесие инструмента. После каждой регулировки угла скоса необходимо повернуть рукоятку на опорной ножке в направлении по или против часовой стрелки, пока ножка не коснется поверхности. Существует два положения, в зависимости от ширины используемого верстака.

## Глубина пропила

Если вы хотите выпилить паз, вы можете установить глубину пропила при помощи винта регулировки глубины пропила (29) или пильного диска.

- ◆ Поверните винт регулировки глубины пропила (29) и зафиксируйте его контргайкой.

## Регулировка направляющей

Перед выполнением реза с наклоном убедитесь, что во время полного опускания и поднятия рукоятки из любого положения, а также на всем пути прохода консоли в самом нижнем положении никакая часть инструмента не касается направляющей (12). Перед включением инструмента убедитесь, что скользящая направляющая надежно зафиксирована крепежным винтом (35).

**Осторожно!** При пилении с наклоном переместите скользящую направляющую влево и зафиксируйте. В противном случае она будет касаться пильного диска или другой части пилы, что может стать причиной получения оператором тяжелой травмы.

Данный инструмент оборудован скользящей направляющей, которая, обычно, располагается по центру. Однако если при выполнении резов с наклоном влево направляющая соприкасается с пильной головкой, передвиньте направляющую влево. Завершив рез с наклоном, не забудьте вернуть скользящую направляющую в исходное положение и зафиксировать ее, надежно затянув крепежный винт (35).

## Регулировка угла наклона (Рис. M)

При наклоне консоли влево ослабьте зажимную рукоятку (2) в задней части инструмента, повернув его против часовой стрелки. Разблокируйте консоль, достаточно сильно нажав на основную рукоятку только в одном направлении.

- ◆ Наклоняйте пильный диск, пока указатель (25) не укажет на нужный угол на шкале угла наклона (27).
- ◆ Затяните зажимную рукоятку (2) по часовой стрелке, фиксируя консоль.

**Осторожно!** При наклоне пильного диска убедитесь, что рукоятка полностью поднята. После смены угла наклона всегда фиксируйте консоль, затянув рукоятку по часовой стрелке.

**Осторожно!** При наклоне пильного диска всегда имейте в виду вес пильной головки, чтобы предотвратить ее опрокидывание.

### Включение (Рис. N)

**Внимание!** Перед тем как подключить инструмент к источнику питания убедитесь, что курковый пусковой выключатель (19) исправно работает и при отпускании беспрепятственно возвращается в положение «ВЫКЛ.».

- ◆ Чтобы запустить пилу, указательным пальцем переведите рычаг разблокировки выключателя (20) вправо.
- ◆ Нажмите на курковый пусковой выключатель (19).
- ◆ Чтобы остановить инструмент, отпустите курковый выключатель (19).

**Осторожно!** Никогда не используйте пилу, если курковый пусковой выключатель не находится в полном рабочем состоянии. Любой инструмент с неисправным выключателем является ЧРЕЗВЫЧАЙНО ОПАСНЫМ и подлежит ремонту перед использованием.

### Использование системы подсветки линии реза (Рис. N)

**Примечание:** Торцовочную пилу необходимо подключить к источнику питания. Система подсветки линии реза оснащена выключателем (21). Система подсветки линии реза работает независимо от куркового пускового выключателя торцовочной пилы.

Работа подсветки для работы пилы необязательна. Для резки по карандашной отметке на деревянной заготовке:

- ◆ Включите систему подсветки линии реза, затем потяните рабочую рукоятку (18) вниз, чтобы переместить пильный диск ближе к деревянной заготовке. На заготовке будет видна тень от диска.
- ◆ Совместите карандашную линию к с кромкой тени диска. Для идеального совмещения с карандашной линией может понадобиться регулировка угла скоса или наклона.

### Поперечный распил

Поперечный распил дерева выполняется поперек заготовки под любым углом. Прямой поперечный распил выполняется с зажимной рукояткой установки скоса

в положении на ноль градусов. Установите рукоятку установки угла скоса на ноль и крепко прижмите заготовку к столу и направляющей. Затянув рукоятку фиксатора рельсовой направляющей, включите пилу, нажав на курковый выключатель (19).

Когда пильный диск разгонится до необходимой скорости (примерно через 1 секунду), медленно опустите головку вниз, прорезая заготовку. Прежде чем поднять пильную головку всегда следите за тем, чтобы диск полностью остановился. При распиле любой заготовки, размер которой превышает 51 мм на 102 мм применяйте поступательное движение, разблокировав рукоятку фиксатора рельсовой направляющей. Потяните пилу на себя, опустите головку пилы на заготовку и медленно толкайте пилу обратно от себя, чтобы завершить распил. Следите за тем, чтобы пила не соприкоснулась с верхней частью заготовки при вытягивании на себя. Пила может резко отскочить в вашу сторону, что создаст риск получения травмы и повреждения заготовки.

**Осторожно!** Всегда используйте зажимы для контроля над заготовкой и уменьшения риска получения травмы и повреждения заготовки.

**Примечание:** Фиксатор рельсовой направляющей должен быть разблокирован, чтобы позволить пиле скользить вдоль штанг.

Поперечные резы со скосом выполняются с зажимной рукояткой установки угла скоса, установленной на любой угол, кроме нуля. Наиболее часто используется угол распила 45° для создания углов на заготовках, однако можно выставить любой угол в диапазоне от нуля до 47° влево или вправо. Выполните рез согласно приведенной выше инструкции.

Для реза по карандашной отметке на деревянной заготовке установите угол как можно ближе. Выполните распил чуть длиннее нужного и отмерьте от карандашной линии до обрезанного края направление, в котором следует отрегулировать угол скоса, после чего выполните рез снова. Этот метод требует некоторой практики, но является широко распространенным.

### Положение тела и рук (Рис. О1 - О4)

Правильное положение вашего тела и рук при работе с торцовочной пилой позволит распиливать детали легче, аккуратнее и безопаснее. Никогда не держите руки возле режущего элемента. Не подносите руки к диску ближе, чем на 152 мм. Прижимайте заготовку к столу и направляющей во время распиловки. Держите руки в этом положении до тех пор, пока не отпустите выключатель и диск полностью не остановится. **ВСЕГДА ВЫПОЛНЯЙТЕ ПРОБНЫЕ ПРОГОНЫ (БЕЗ НАГРУЗКИ) ДО ТОГО, КАК ВЫПОЛНИТЬ РАСПИЛ, ЧТОБЫ ПРОВЕРИТЬ ХОД ПИЛЬНОГО ДИСКА.**

**ЗАПРЕЩАЕТСЯ СКРЕЩИВАТЬ РУКИ, КАК ПОКАЗАНО НА РИСУНКЕ О3 и О4.**

Твердо упирайтесь обеими ногами в пол, чтобы сохранять надлежащий баланс. По мере перемещения пильной головки вправо или влево, следуйте за ней, держась в стороне от пильного диска. Следуя линии, проведенной карандашом, смотрите через прорези защитного кожуха.

### Регулировка перпендикулярности диска относительно стола (Рис. Р)

Для выравнивания пильного диска перпендикулярно распиловочному столу заблокируйте консоль в нижнем положении, задействовав фиксатор пильной головки. Приложите к корпусу пильного диска угольник, следя за тем, чтобы угольник не касался режущих кромок зубьев диска. Ослабьте зажимную рукоятку установки угла наклона и убедитесь, что пильная головка плотно прилегает к упору 0°. При необходимости гаечным ключом 10 мм (не входит в комплект поставки инструмента) поверните винт регулировки наклона 0°, чтобы пильный диск располагался с наклоном 0° к столу, как было измерено угольником.

### Изготовление картинных рам, ящиков для рассады и прочих четырёхсторонних конструкций (Рис. Q1, Q2)

Чтобы лучше понять, как изготавливаются описанные конструкции, мы рекомендуем вам для начала выполнить несколько простых изделий из отходов древесины, чтобы почувствовать уверенность при управлении пилой. Ваша пила является идеальным инструментом для выполнения угловых соединений наподобие тех, которые изображены на Рисунке Q1. Изображение А на Рисунке Q2 показывает соединение, изготовленное путем установки рукоятки угла наклона на 45° для пиления с наклоном двух панелей с целью формирования угла 90°. Для выполнения данного типа соединения рукоятка угла скоса блокируется в положении 0°, а рукоятку угла наклона – в положении 45°. Деревянная заготовка располагается широкой стороной на плоскости стола и узкой стороной вплотную к направляющей. Тот же самый разрез может

быть выполнен путем скашивания вправо и влево при заготовке, лежащей широкой стороной вплотную к направляющей.

### Пиление багетов и изготовление рам (Рис. Q2)

Изображение В на Рисунке Q2 показывает соединение, изготовленное путем установки рукоятки угла скоса на 45° для пиления со скосом двух панелей с целью формирования угла 90°. Для выполнения данного типа соединения установите рукоятку угла наклона на 0°, а консоль – на 45°. Расположите деревянную заготовку широкой стороной на плоскости стола и узкой стороной вплотную к направляющей.

Рисунки Q1 и Q2 приведены для примера изготовления только четырёхсторонних конструкций. При изменении числа сторон, угол скоса и угол наклона также изменяется. В приведенной ниже таблице указаны правильные углы для разнообразных конфигураций изделий.

Количество сторон	Угол скоса или наклона
4	45°
5	36°
6	30°
7	25,7°
8	22,5°
9	20°
10	18°

Данные таблицы даны для изделий, все стороны которых имеют одинаковую длину. Если необходимая вам конфигурация не приведена в таблице, используйте следующую формулу: разделите 180° на количество сторон, в результате получится угол скоса (при вертикальном пилении материала) или угол наклона (при пилении материала, уложенного горизонтально).

### Комбинированное пиление (Рис. Q3)

Комбинированное пиление - это одновременное пиление со скосом и с наклоном. Этот метод пиления используется для изготовления рам или ящиков с наклонными стенками наподобие того, что изображён на Рисунке Q3.

**Примечание:** Если угол наклона резки изменяется от разреза к разрезу, проверьте, чтобы зажимные рукоятки установки угла наклона и скоса были надёжно затянуты. Их необходимо фиксировать после выполнения любых изменений угла торцевания или скоса кромок.

### Пиление профилей плинтусов (Рис. R)

#### Прямые резы под углом 90°:

Расположите заготовку вплотную к направляющей и удерживайте её на месте, как показано на Рисунке R.

Включите пилу, дождитесь, пока диск не наберёт полную скорость, и мягко опустите пильную головку на заготовку, делая рез.

**Распил профилей плинтусов шириной до 70 мм / 90 мм, вертикально расположенных вплотную к направляющей**

BES700 - 70 мм для 216 мм  
BES710 - 90 мм для 254 мм

Расположите материал, как показано на Рисунке R. При распиле плинтус должен располагаться задней стороной вплотную к направляющей и нижним краем на распиловочном столе.

	Внутренний угол	Наружный угол
Левая сторона	Скос влево 45° Сохраняйте левую сторону распила.	Скос вправо 45° Сохраняйте левую сторону распила.
Правая сторона	Скос вправо 45°. Сохраняйте правую сторону распила.	Скос влево 45°. Сохраняйте правую сторону распила.

Для заготовки, размер которой не превышает 70 мм / 90 мм, распил осуществляется так, как описано выше.  
BES700 - 70 мм для 216 мм  
BES710 - 90 мм для 254 мм

**Пиление потолочных плинтусов**

Для получения правильного соединения всех частей пиление потолочных плинтусов комбинированным методом требует соблюдения повышенной точности. Две плоские поверхности данного отрезка потолочного плинтуса должны иметь такие углы среза, чтобы при их соединении получился угол точно 90°. У большинства, но не у всех, потолочных плинтусов верхняя задняя секция (прилегающая к потолку) имеет угол 52°, а нижняя задняя секция (прилегающая к стене) имеет угол 38°.

Ваша торцовочная пила имеет предварительно установленный угол скоса 31,6° влево и вправо для пиления потолочных плинтусов под правильным углом. Также на градуированной шкале угла наклона имеется отметка 33,9°.

В таблице «Установка угла наклона/Тип реза» приведены правильные настройки для пиления потолочных плинтусов. (Для установки угла скоса и угла наклона даны приблизительные значения, которые не обязательны для соблюдения при настройке вашей пилы.) Так как в большинстве помещений идеальные углы в 90° отсутствуют, вам все равно придется тщательно регулировать ваши настройки.

**Инструкции по пилению потолочных плинтусов, уложенных горизонтально, с применением метода комбинированного пиления**

- ◆ Расположите потолочный плинтус на распиловочном столе задней плоской поверхностью вниз (Рис. S1).
- ◆ Ниже приведены настройки для стандартных потолочных плинтусов с верхним углом 52° и нижним углом 38°.

Установка угла наклона	Тип реза
33,9°	ЛЕВАЯ СТОРОНА, ВНУТРЕННИЙ УГОЛ: 1. Верхняя сторона плинтуса прижата к направляющей 2. Скос 31,6° вправо 3. Сохраняйте левую сторону распила.
33,9°	ПРАВАЯ СТОРОНА, ВНУТРЕННИЙ УГОЛ: 1. Нижняя сторона плинтуса прижата к направляющей 2. Скос 31,6° влево 3. Сохраняйте левую сторону распила.
33,9°	ЛЕВАЯ СТОРОНА, ВНЕШНИЙ УГОЛ: 1. Нижняя сторона плинтуса прижата к направляющей 2. Скос 31,6° влево 3. Сохраняйте правую сторону распила.
33,9°	ПРАВАЯ СТОРОНА, ВНЕШНИЙ УГОЛ: 1. Верхняя сторона плинтуса прижата к направляющей 2. Скос 31,6° вправо 3. Сохраняйте правую сторону распила.

**Примечание:** При установке угла скоса и угла наклона для всех комбинированных резов помните, что углы потолочных плинтусов требуют повышенной точности, sobnosti которую при настройке чрезвычайно сложно. Поскольку лишь небольшое количество помещений имеют углы между стеной и потолком точно 90°, настройки каждый раз могут слегка изменяться, поэтому всегда проверяйте правильность настроек на обрезках материала.

### **Альтернативный способ пиления потолочных плинтусов**

Расположите плинтус под углом между направляющей (12) и распиловочным столом (11), верхней стороной на столе и нижней стороной к направляющей, как показано на Рисунке S2.

Преимуществом данного метода при пилении карнизов является отсутствие необходимости в пилении с наклоном. Небольшие изменения угла скоса могут выполняться без воздействия на угол наклона. Таким образом, при появлении углов, отличных от 90°, пилу быстро и легко настроить под них.

### **Инструкции по пилению потолочных плинтусов, расположенных под углом между направляющей и основанием пилы, с применением всех видов резов**

Данная пила может использоваться для пиления группы одинаковых потолочных плинтусов, общий размер которых не превышает 14 мм x 92 мм.

- ◆ Расположите плинтус под углом таким образом, чтобы нижняя часть плинтуса (примыкающая к стене часть плинтуса после установки) примыкала к направляющей (12), а верхняя часть плинтуса оставалась на распиловочном столе (11), как показано на Рисунке S2.
- ◆ Угловые срезы на задней стороне плинтуса должны располагаться точно по направляющей и распиловочному столу.

	<b>Внутренний угол</b>	<b>Наружный угол</b>
Левая сторона	Скос вправо 45° Сохраняйте правую сторону распила.	Скос влево 45° Сохраняйте правую сторону распила.
Правая сторона	Скос влево 45°. Сохраняйте левую сторону распила.	Скос вправо 45°. Сохраняйте левую сторону распила.

### **Специальные резы**

Никогда не производите пиление, если материал не закреплен на столе и не прижат вплотную к направляющей.

### **Заготовки изогнутой формы (Рис. T1, T2)**

При пилении изогнутых материалов располагайте заготовки так, как показано на Рисунке T1, и ни при каких обстоятельствах не располагайте их так, как показано на Рисунке T2. Неправильное расположение заготовки может явиться причиной защемления лезвия пильного диска до завершения реза.

### **Распил круглых профилей**

Во избежание перекатывания, круглые профили должны быть закреплены при помощи зажимов или надежно прижиматься вплотную к направляющей. Это очень важно иметь в виду при выполнении резов под углом.

### **Распиловка длинных заготовок (Рис. U)**

Иногда деревянная заготовка может быть слишком длинной для того, чтобы поместиться под нижним защитным кожухом.

Чтобы приоткрыть защитный кожух над заготовкой, выключите пилу, положите правую руку на рабочую рукоятку, а большой палец правой руки на внешнюю верхнюю часть защитного кожуха и проверните его немного вверх, ровно настолько, чтобы открыть заготовку, как показано на Рисунке U. Прежде чем запустить двигатель, отпустите защитный кожух. Во время распила механизм защитного кожуха будет функционировать надлежащим образом. Используйте этот прием только в случаях острой необходимости.

**НИКОГДА НЕ ПРИВЯЗЫВАЙТЕ, НЕ ЗАКЛЕИВАЙТЕ ЛИПКОЙ ЛЕНТОЙ И НЕ УДЕРЖИВАЙТЕ КАКИМ-ЛИБО ДРУГИМ СПОСОБОМ ЗАЩИТНЫЙ КОЖУХ ОТКРЫТЫМ ВО ВРЕМЯ РАБОТЫ ПИЛЫ.**

**Осторожно!** Перед проведением регулировки или проверкой рабочих функций инструмента всегда выключайте пилу и отсоединяйте ее от источника питания.

### **После использования**

- ◆ После использования инструмента ткань удалите с него собравшиеся опилки и пыль.
- ◆ Содержите защитный кожух в чистоте, следуя указаниям в соответствующем разделе.
- ◆ Смазывайте подвижные части инструмента машинным маслом для предотвращения коррозии.
- ◆ Убирая инструмент на хранение, полностью придвиньте консоль к себе.

### **Переноска инструмента**

- ◆ Убедитесь, что инструмент отключен от электросети.
- ◆ Зафиксируйте пильный диск в положении наклона 0° и поверните основание на предельный правый угол скоса при помощи крепежного винта штанг консоли (28).
- ◆ Придвиньте консоль полностью к себе и заблокируйте штанги консоли.
- ◆ Полностью опустите основную рукоятку и зафиксируйте ее в этом положении, нажав на стопорный штифт (17).
- ◆ Переносите инструмент за специальную ручку для переноски (22).
- ◆ Снятие с пилы зажима, пылесборника и пр. принадлежностей значительно облегчает ее переноску.

- ◆ Переносите инструмент, одной рукой держась за ручку для переноски (22), другой рукой поддерживая основание инструмента.

**Внимание!** Перед переноской инструмента всегда фиксируйте все подвижные части.

Стопорный штифт пильной головки (17) предназначен только для переноски и хранения инструмента, но не для выполнения каких-либо операций по резанию.

### Неисправности и способы их устранения

Неисправность	Возможная причина	Решение
Двигатель не запускается	Пила не подключена к сети.	Проверьте подключение всех кабелей к розетке электросети.
Неточный угол при пилении	Поворотный стол не зафиксирован.	Затяните рукоятку поворотного стола (см. раздел «Регулировка угла скоса»).
	Большое скопление отходов пиления под поворотным столом.	Удалите пыль при помощи пылесоса или воздуха. Используйте защитные очки.
Пильная головка полностью не поднимается или защитный кожух диска полностью не закрывается	Повреждены детали.	Обратитесь в авторизованный сервисный центр.
	Пружина защитного кожуха не установлена должным образом после ремонта.	Обратитесь в авторизованный сервисный центр.
	Скопление отходов пиления.	Очистите и смажьте движущиеся детали.
Пильный диск гнется, защемляется или качается	Стопорный штифт пильной головки не отрегулирован.	Проверьте и отрегулируйте стопорный штифт пильной головки.
	Пильный диск поврежден.	Замените диск.
	Пильный диск затупился.	Замените или заточите пильный диск.
	Неправильный тип диска.	Замените диск.
Пила вибрирует или качается	Пильный диск деформирован.	Замените диск.
	Пильный диск поврежден.	Замените диск.
	Пильный диск не закреплен должным образом.	Затяните болт диска.
	Пила не закреплена на верстаке должным образом.	Надежно закрепите пилу на верстаке или рабочем столе.
	Заготовка не поддерживается должным образом.	Обеспечьте надлежащую опору заготовке или используйте зажим.

### Защита окружающей среды



Раздельный сбор. Изделия и аккумуляторные батареи с данным символом на маркировке запрещается утилизировать с обычными бытовыми отходами.

Изделия и аккумуляторные батареи содержат материалы, которые могут быть извлечены или переработаны, снижая потребность в исходном сырье.

Пожалуйста, утилизируйте электрические изделия и аккумуляторные батареи в соответствии с местными нормами. Дополнительная информация доступна по адресу [www.2helpU.com](http://www.2helpU.com).

### Технические характеристики

		BES700 тип 1	BES710 тип 1
Напряжение	V	230	230
Скорость	об./мин	4800	5000
Внешний диаметр диска	мм	216	254
Диаметр посадочного отверстия	мм	30	30
Вес	кг	12,1	14,9
Толщина диска	мм	1,8	1,8
Макс. ширина пропила	мм	2,8	2,8
Скос (макс. положения)	°	+/- 47	+/- 47
Наклон (макс. положения)	°	47	47
Макс. длина поперечного распила 90 °	мм	305	305
Макс. длина распила под углом 45 °	мм	203	203
Макс. глубина поперечного распила 90 °	мм	70	90
Макс. глубина распила под углом 45 °	мм	35	40

#### BES700 - Уровень звукового давления в соответствии с EN 62841:

$L_{pA}$  (акустическое давление) 97,5 дБ(А), Погрешность (К) 3 дБ(А)

$L_{WA}$  (уровень звуковой мощности) 108,0 дБ(А), Погрешность (К) 3 дБ(А)

#### BES710 - Уровень звукового давления в соответствии с EN 62841:

$L_{pA}$  (акустическое давление) 96,0 дБ(А), Погрешность (К) 3 дБ(А)

$L_{WA}$  (уровень звуковой мощности) 107,5 дБ(А), Погрешность (К) 3 дБ(А)

**Заявление о соответствии нормам ЕС**  
ДИРЕКТИВА ПО МЕХАНИЧЕСКОМУ ОБОРУДОВАНИЮ



BES700, BES710

Универсальная торцовочная пила с протяжкой

Black & Decker заявляет, что продукция, описанная в «технических характеристиках» соответствует: EN62841-1:2015, EN62841-3-9:2015+A11:2017

**Эти изделия также соответствуют директивам 2006/42/ЕС, 2014/30/EU и 2011/65/EU.**

За дополнительной информацией обращайтесь в компанию Black & Decker по адресу, указанному ниже или приведенному на задней стороне обложки руководства.

Нижеподписавшийся несет ответственность за составление технической документации и составил данную декларацию по поручению компании Black & Decker.

А. П. Смит (A. P. Smith)  
Технический директор  
Black & Decker Europe, 210 Bath Road, Slough,  
Berkshire, SL1 3YD  
United Kingdom  
26/08/2019

**Гарантия**

Компания Black & Decker с уверенностью в качестве своей продукции предлагает клиентам гарантию на 24 месяца с момента покупки. Данная гарантия является дополнительной и ни в коей мере не направлена на ущемление Ваших юридических прав. Гарантия действует на территории стран-участниц ЕС и в Европейской зоне свободной торговли.

Чтобы подать заявку по гарантии, заявка должна соответствовать положениям и условиям Black & Decker; кроме того, Вам потребуется предъявить продавцу или авторизованному специалисту по ремонту подтверждение покупки. Положения и условия 2-летней гарантии Black & Decker и местонахождение ближайшего авторизованного специалиста по ремонту можно узнать через Интернет

по адресу [www.2helpU.com](http://www.2helpU.com), или связавшись с местным представительством Black & Decker по адресу, указанному в данном руководстве.

Посетите наш веб-сайт [www.blackanddecker.co.uk](http://www.blackanddecker.co.uk) чтобы зарегистрировать свое новое изделие BLACK+DECKER и получать информацию о новинках и специальных предложениях.





## Приложение к руководству по эксплуатации электрооборудования для определения месяца производства по номеру текущей календарной недели года

Электрооборудование торговых марок "Dewalt", "Stanley", "Stanley FatMAX", "BLACK+DECKER".  
Директивы 2014/30/EU ЕВРОПЕЙСКОГО ПАРЛАМЕНТА И СОВЕТА от 26 февраля 2014 г. "О гармонизации законодательств Государств-членов ЕС в области электромагнитной совместимости", 2006/42/ЕС ЕВРОПЕЙСКОГО ПАРЛАМЕНТА И СОВЕТА от 17 мая 2006 г. "О машинах и оборудовании"; 2014/35/EU ЕВРОПЕЙСКОГО ПАРЛАМЕНТА И СОВЕТА от 26 февраля 2014 г. "О гармонизации законодательств государств-членов в области размещения на рынке электрооборудования, предназначенного для использования в определенных пределах напряжения". Серийный выпуск.

### ТОВАР СЕРТИФИЦИРОВАН

Орган по сертификации "РОСТЕСТ- Москва",  
Адрес: 119049, г. Москва, улица Житная, д. 14, стр. 1; 117418, Москва, Нахимовский просп., 31 (фактический),  
Телефон: (499) 1292311, (495) 6682893, Факс: (495) 6682893,  
E-mail: [office@rostest.ru](mailto:office@rostest.ru)  
Изготовитель: Изготовитель: Блэк энд Деккер Холдингс ГмБХ,  
Германия, 65510, Идштайн, ул. Блэк энд Деккер, 40,  
тел. +496126212790.

### Уполномоченное изготовителем юр.лицо:

ООО "Стэнли Блэк энд Деккер", 117485, город Москва,  
улица Обручева, дом 30/1, строение 2  
Телефон: + 7 (495) 258-3981, факс: + 7 (495) 258-3984,  
E-mail: [inbox@dewalt.com](mailto:inbox@dewalt.com)  
Сведения о импортере указаны в сопроводительной документации и/или на упаковке

### Хранение.

Необходимо хранить в сухом месте, вдали от источников повышенных температур и воздействия солнечных лучей. При хранении необходимо избегать резкого перепада температур. Хранение без упаковки не допускается

### Срок службы.

Срок службы изделия составляет 5 лет. Не рекомендуется к эксплуатации по истечении 5 лет хранения с даты изготовления без предварительной проверки.

Дата изготовления (код даты) указана на корпусе инструмента/продукции.

Код даты, который также включает год изготовления, отштампован на поверхности корпуса изделия.

### Пример:

2014 46 XX, где 2014 –год изготовления, 46-неделя изготовления. Определить месяц изготовления по указанной неделе изготовления можно согласно приведенной ниже таблице.

### Транспортировка.

Категорически не допускается падение и любые механические воздействия на упаковку при транспортировке.

При разгрузке/погрузке не допускается использование любого вида техники, работающей по принципу зажима упаковки.

### Перечень критических отказов, возможные ошибочные действия персонала.

Не допускается эксплуатация изделия:

- При появлении дыма из корпуса изделия
- При поврежденном и/или оголенном сетевом кабеле
- При повреждении корпуса изделия, защитного кожуха, рукоятки
- При попадании жидкости в корпус
- При возникновении сильной вибрации
- При возникновении сильного искрения внутри корпуса

### Критерии предельных состояний.

- При поврежденном и/или оголенном сетевом кабеле
- При повреждении корпуса изделия

Месяц	Январь	Февраль	Март	Апрель	Май	Июнь	Июль	Август	Сентябрь	Октябрь	Ноябрь	Декабрь	Год производства
Неделя	1	5	9	14	18	23	27	31	36	40	44	49	2018
	2	6	10	15	19	24	28	32	37	41	45	50	
	3	7	11	16	20	25	29	33	38	42	46	51	
	4	8	12	17	21	26	30	34	39	43	47	52	
			13		22			35			48		
Неделя	1	6	10	14	18	23	27	31	36	40	45	49	2019
	2	7	11	15	19	24	28	32	37	41	46	50	
	3	8	12	16	20	25	29	33	38	42	47	51	
	4	9	13	17	21	26	30	34	39	43	48	52	
	5				22			35		44			
Неделя	1	6	10	14	19	23	27	32	36	40	45	49	2020
	2	7	11	15	20	24	28	33	37	41	46	50	
	3	8	12	16	21	25	29	34	38	42	47	51	
	4	9	13	17	22	26	30	35	39	43	48	52	
	5			18			31		44				
Неделя	2	6	10	14	19	23	27	32	36	41	45	49	2021
	3	7	11	15	20	24	28	33	37	42	46	50	
	4	8	12	16	21	25	29	34	38	43	47	51	
	5	9	13	17	22	26	30	35	39	44	48	52	
				18			31		40			1	
Неделя	2	6	10	15	19	23	28	32	36	41	45	49	2022
	3	7	11	16	20	24	29	33	37	42	46	50	
	4	8	12	17	21	25	30	34	38	43	47	51	
	5	9	13	18	22	26	31	35	39	44	48	52	
				14		27			40			1	





**BLACK+  
DECKER**

**2 ГОДА  
ГАРАНТИИ**

## ГАРАНТИЙНЫЕ УСЛОВИЯ

### Уважаемый покупатель!

1. Поздравляем Вас с покупкой высококачественного изделия BLACK+DECKER и выражаем признательность за Ваш выбор.
2. При покупке изделия требуйте проверки его комплектности и исправности в Вашем присутствии. В комплекте с инструментом должна быть инструкция по эксплуатации и гарантийные условия производителя на русском языке. Сохраняйте на весь срок гарантии Ваш документ, удостоверяющий факт покупки изделия. Убедитесь, что в чеке указаны: фискальный номер чека, модель/наименование изделия, дата продажи и название торговой организации.
3. Во избежание недоразумений убедительно просим Вас перед началом работы с изделием внимательно ознакомиться с инструкцией по его эксплуатации. Правовой основой настоящих гарантийных условий является действующее Законодательство. Гарантийный срок на данное изделие составляет 24 месяца и исчисляется со дня продажи. В случае устранения недостатков изделия гарантийный срок продлевается на период его нахождения в ремонте. Срок службы изделия составляет 5 лет со дня продажи.
4. В случае возникновения каких-либо проблем в процессе эксплуатации изделия рекомендуем Вам обращаться только в уполномоченные сервисные центры BLACK+DECKER, адреса и телефоны которых Вы сможете найти на сайте [www.2helpu.com](http://www.2helpu.com) или узнать в магазине. Наши сервисные станции это не только квалифицированный ремонт, но и широкий ассортимент запчастей и принадлежности.
5. Производитель рекомендует проводить периодическую проверку и техническое обслуживание изделия в уполномоченных сервисных центрах.
6. Наши гарантийные обязательства распространяются только на неисправности, выявленные в течение гарантийного срока и вызванные дефектами материалов или сборки изделия.
7. **Гарантийные условия не распространяются на неисправности изделия, возникшие в результате:**
  - 7.1. Несоблюдения пользователем предписаний инструкции по эксплуатации изделия, применения изделия не по назначению, неправильном хранении, использовании принадлежностей, расходных материалов и запчастей, не предусмотренных производителем.
  - 7.2. Механического повреждения (сколы, трещины и разрушения) внутренних и внешних деталей изделия, основных и вспомогательных



### ОБЯЗАТЕЛЬНО СОХРАНЯЙТЕ КАССОВЫЙ ЧЕК

- рукояток, сетевого электрического кабеля, вызванного внешним ударным или любым иным воздействием.
- 7.3. Попадания в вентиляционные отверстия и проникновение внутрь изделия посторонних предметов, материалов или веществ, не являющихся отходами, сопровождающим применением изделия по назначению, такими как: стружка, опилки, песок, и пр.
  - 7.4. Воздействий на изделие неблагоприятных атмосферных и иных внешних факторов, таких как дождь, снег, повышенная влажность, нагрев, агрессивные среды, несоответствие параметров питающей электросети, указанных на инструменте.
  - 7.5. Стихийного бедствия. Повреждение или утрата изделия, связанное с непредвиденными бедствиями, стихийными явлениями, в том числе вследствие действия непреодолимой силы (пожар, молния, потоп и другие природные явления), а также вследствие перепадов напряжения в электросети и другими причинами, которые находятся вне контроля производителя.

### 8. Гарантийные условия не распространяются:

- 8.1. На инструменты, подвергавшиеся вскрытию, ремонту или модификации вне уполномоченного сервисного центра.
- 8.2. На детали и узлы, имеющие следы естественного износа, такие как: приводные ремни и колеса, угольные щетки, смазка, подшипники, зубчатое зацепление редукторов, резиновые уплотнения, сальники, направляющие ролики, муфты сцепления, бойки, толкатели, стволы, и т.п.
- 8.3. На сменные и расходные части: цапги, зажимные гайки и фланцы, фильтры, ножи, шлифовальные подошвы, цепи, звездочки, пыльные шины, защитные кожухи, пилки, абразивы, пыльные и абразивные диски, фрезы, сверла, буры и т.п.
- 8.4. На неисправности, возникшие в результате перегрузки инструмента (как механической, так и электрической), повлекшей выход из строя одновременно двух и более деталей и узлов, таких как ротора и статора, обеих обмоток статора, ведомой и ведущей шестерни редуктора или других узлов и деталей. К безусловным признакам перегрузки изделия относятся, помимо прочего: появление цветов побежалости, деформация или оплавление деталей и узлов изделия, потемнение или обугливание изоляции проводов электродвигателя под воздействием высокой температуры.



Горячая линия

**8-800-1000-876**

Актуальную информацию об обслуживании  
в интересующем вас городе вы можете узнать на сайте  
**[service.blackanddecker.ru](http://service.blackanddecker.ru)**

- Список авторизованных сервисных центров
- Поиск ближайшего сервисного центра
- Руководство по эксплуатации
- Технические характеристики
- Список деталей и запасных частей
- Схема сборки инструмента

# ГАРАНТИЙНОЕ ОБСЛУЖИВАНИЕ

С БЕСПЛАТНОЙ ДОСТАВКОЙ

Теперь вы можете сдать инструмент в сервис, даже если его нет в вашем городе.

Скачать/распечатать инструкцию с сайта

[service.blackanddecker.ru](http://service.blackanddecker.ru)



Отметки о проведении сервисного обслуживания

№1	№2	№3	№4
№ заказа	№ заказа	№ заказа	№ заказа
Дата поступления	Дата поступления	Дата поступления	Дата поступления
Дата ремонта	Дата ремонта	Дата ремонта	Дата ремонта
Печать и подпись сервисного центра	Печать и подпись сервисного центра	Печать и подпись сервисного центра	Печать и подпись сервисного центра



## ПОДАРОК ЗА ОТЗЫВ\*

- 1 Зарегистрируйся на [my.blackanddecker.ru](http://my.blackanddecker.ru)
- 2 Напиши отзыв о покупке
- 3 Получи подарок на выбор\*\*



\*Акция проводится на территории Российской Федерации. Подробные условия акции указаны на [my.blackanddecker.ru](http://my.blackanddecker.ru)

\*\* Подарок может отличаться от изображенного, актуальный перечень см. на [my.blackanddecker.ru](http://my.blackanddecker.ru)