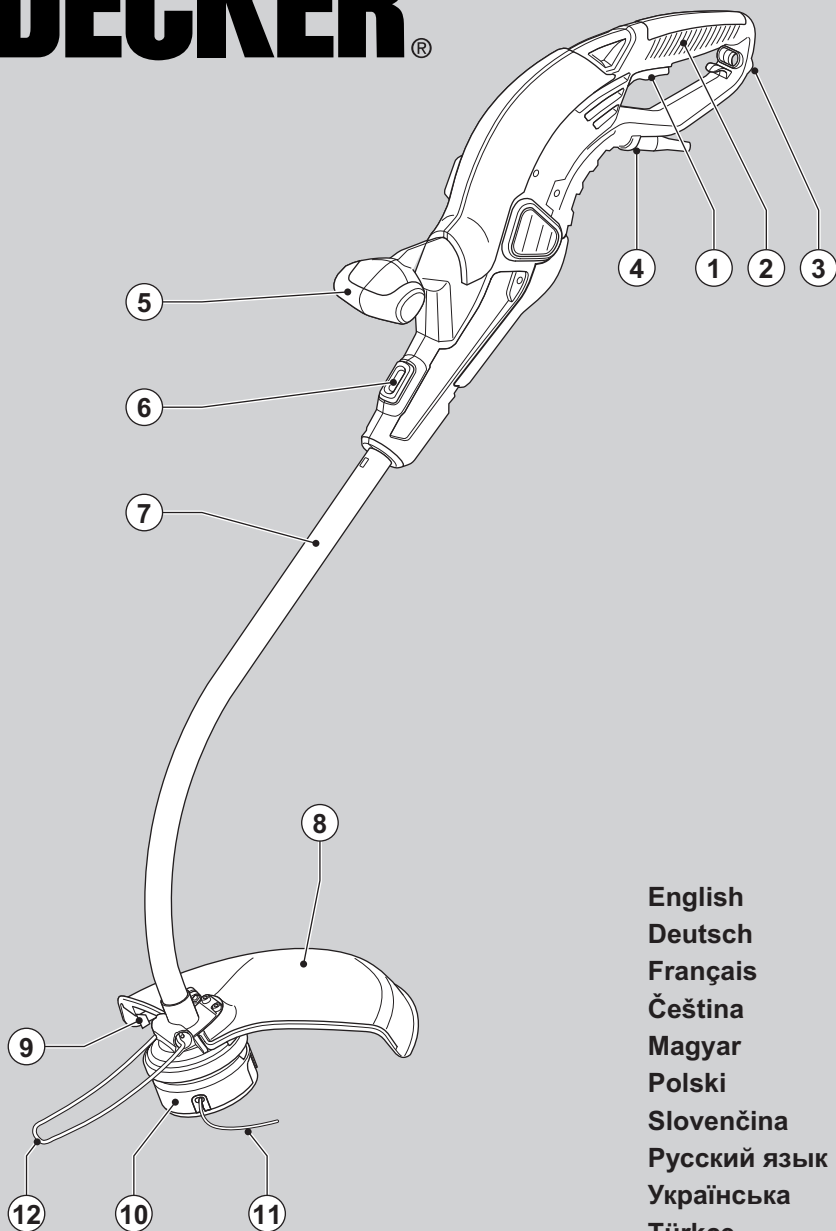


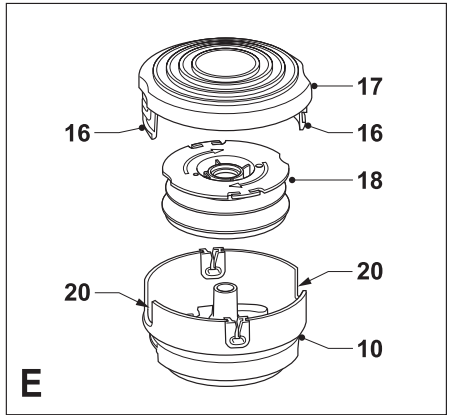
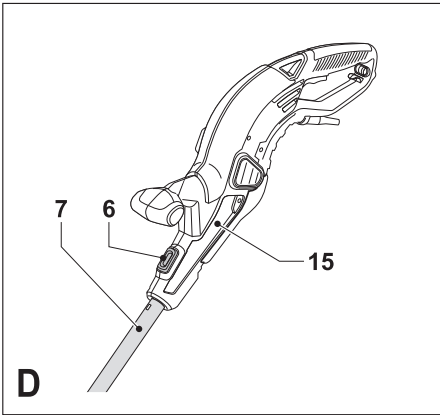
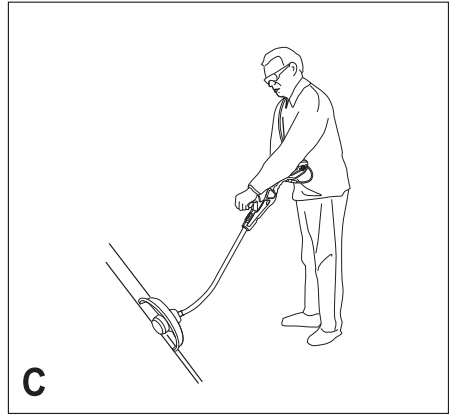
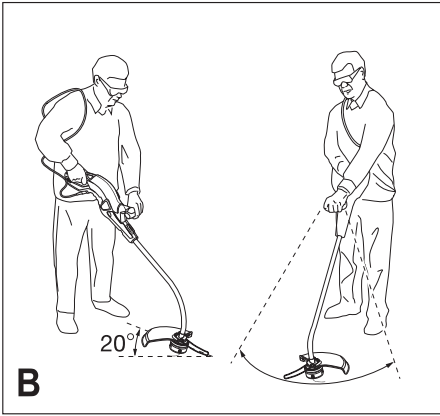
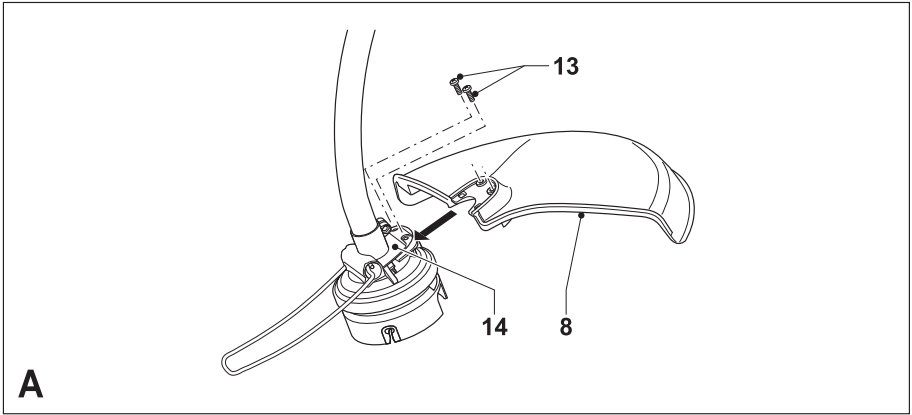


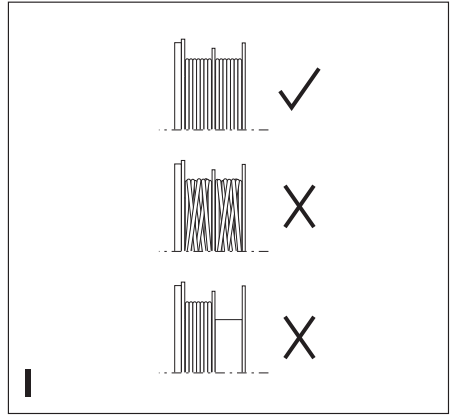
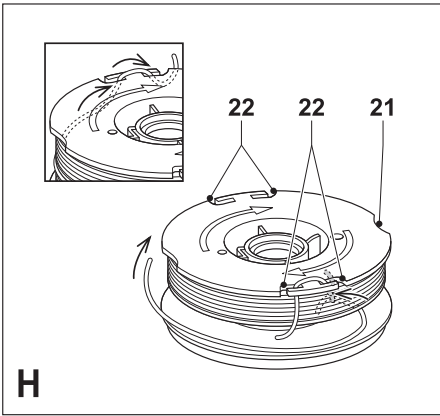
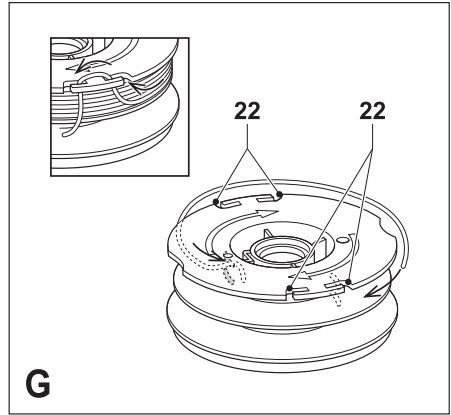
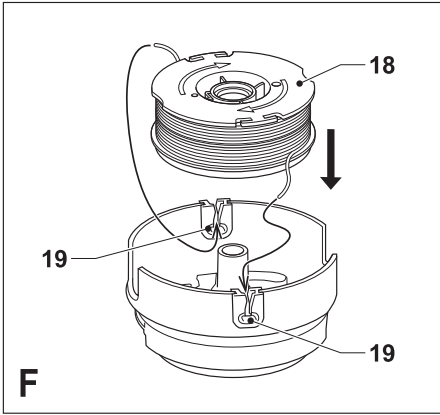
BLACK & DECKER®

www.blackanddecker.com



English	4
Deutsch	10
Français	17
Čeština	23
Magyar	29
Polski	36
Slovenčina	43
Русский язык	49
Українська	56
Türkçe	63





Intended use

Your Black & Decker strimmer GL701/GL716/GL720/GL741 has been designed for trimming and finishing lawn edges and to cut grass in confined spaces. This tool is intended for consumer use only.

Safety instructions

- **Warning!** When using mains-powered tools, basic safety precautions, including the following, should always be followed to reduce the risk of fire, electric shock, personal injury and material damage.
- Read all of this manual carefully before operating the tool.
- Retain this manual for future reference.
- Remove the plug from the socket before carrying out any adjustment, servicing or maintenance.

Keep work area clean

Cluttered areas and benches can cause accidents.

Consider work area environment

Do not expose the tool to rain. Do not use the tool in damp or wet conditions. Keep the work area well lit. Do not use the tool where there is a risk of causing fire or explosion, e.g. in the presence of flammable liquids and gases.

Keep children away

Do not allow children, visitors or animals to come near the work area or to touch the tool or mains cable.

Dress properly

Do not wear loose clothing or jewellery, as these can be caught in moving parts. Preferably wear rubber gloves and non-slip footwear when working outdoors. Wear protective hair covering to keep long hair out of the way.

Personal protection

Always use safety glasses. Use a face or dust mask whenever the operations may produce dust or flying particles. Hearing protection should be worn.

Guard against electric shock

Prevent body contact with earthed or grounded surfaces (e.g. pipes, radiators, cookers and refrigerators). Electric safety can be further improved by using a high-sensitivity (30 mA / 30 mS) residual current device (RCD).

Do not overreach

Keep proper footing and balance at all times.

Stay alert

Watch what you are doing. Use common sense. Do not operate the tool when you are tired.

Secure workpiece

Use clamps or a vice to hold the workpiece. It is safer and it frees both hands to operate the tool.

Connect dust extraction equipment

If devices are provided for the connection of dust extraction and collection facilities, ensure that these are connected and properly used.

Remove adjusting keys and wrenches

Always check that adjusting keys and wrenches are removed from the tool before operating the tool.

Extension cables

Before use, inspect the extension cable and replace if damaged. When using the tool outdoors, only use extension cables intended for outdoor use. Up to 30 m of Black & Decker extension cable can be used without loss of power.

Use appropriate tool

The intended use is described in this instruction manual. Do not force small tools or attachments to do the job of a heavy-duty tool. The tool will do the job better and safer at the rate for which it was intended. Do not force the tool. Do not use the tool for purposes not intended, for example, do not use a circular saw to cut tree limbs or logs.

Warning! The use of any accessory or attachment or performance of any operation with this tool other than those recommended in this instruction manual may present a risk of personal injury.

Check for damaged parts

Before use, carefully check the tool and mains cable for damage. Check for misalignment and seizure of moving parts, breakage of parts, damage to guards and switches and any other conditions that may affect its operation. Ensure that the tool will operate properly and perform its intended function. Do not use the tool if any part is damaged or defective. Do not use the tool if the switch does not turn it on and off. Have any damaged or defective parts repaired or replaced by an authorised repair agent. Never attempt any repairs yourself.

Unplug the tool

Unplug the tool when it is not in use, before changing any parts of the tool, accessories or attachments and before servicing.

Avoid unintentional starting

Do not carry the tool with a finger on the on/off switch. Be sure that the tool is switched off when plugging in.

Do not abuse cord

Never carry the tool by its cord or pull it to disconnect from the socket. Keep the cord away from heat, oil and sharp edges.

Store idle tools

When not in use, tools should be stored in a dry, locked up or high place, out of reach of children.

Maintain tools with care

Keep cutting tools sharp and clean for better and safer performance. Follow the instructions for maintenance and changing accessories. Keep handles and switches dry, clean and free from oil and grease.

Repairs

This tool complies with relevant safety requirements. Repairs should only be carried out by qualified persons using original spare parts; otherwise this may result in considerable danger to the user.

Electrical safety



This tool is double insulated; therefore no earth wire is required. Always check that the power supply corresponds to the voltage on the rating plate.

- This appliance is not intended for use by young or infirm persons without supervision. Children must be supervised to ensure they do not play with the appliance.
- If the supply cord is damaged, it must be replaced by the manufacturer or an authorised Black & Decker Service Centre in order to avoid a hazard.

Additional safety instructions for grass trimmers

The following warning symbols are found on the tool:



Read the manual prior to operation.



Wear safety glasses or goggles when operating this tool.



Keep people and animals at least 6 m away from the cutting area.



Do not expose the tool to rain or high humidity.

- Be familiar with the controls and the proper use of the equipment.
- Only use the machine in daylight or good artificial light.
- Before use check the supply and extension cord for any signs of damage or ageing. If the cord becomes damaged during use, disconnect the cord from the supply

immediately. **DO NOT TOUCH THE CORD BEFORE DISCONNECTING THE SUPPLY**

- Do not use the lawn trimmer (edge trimmer), if the cords are damaged or worn.
- Wear stout shoes or boots to protect your feet.
- Wear long trousers to protect your legs.
- Before using the tool, check that your cutting path is free from sticks, stones, wire and any other obstacles.
- Only use the tool in the upright position, with the cutting line near the ground. Never switch the tool on in any other position.
- Move slowly when using the tool. Be aware that freshly cut grass is damp and slippery.
- Do not work on steep slopes. Work across the face of slopes, not up and down.
- Never cross gravel paths or roads while the tool is running.
- Never touch the cutting line while the tool is running.
- Do not put the tool down until the cutting line has come to a complete standstill.
- Use only the appropriate type of cutting line. Never use metal cutting line or fishing line.
- Be careful not to touch the line trimming blade.
- Take care to keep the mains cable away from the cutting line. Always be aware of the position of the cable.
- Keep hands and feet away from the cutting means at all times and especially when switching on the motor.
- Warning. Cutting elements continue to rotate after the motor is switched off.
- Never operate the machine with damaged guards or without the guards in place.
- Always ensure that the ventilation openings are kept clear of debris.

Features

This tool includes some or all of the following features.

1. On/off switch
2. Handle
3. Cable restraint
4. Power inlet
5. Secondary handle
6. Adjustment button
7. Tube
8. Guard
9. Line trimming blade
10. Spool housing
11. Cutting line
12. Edge guide

Assembly

Warning! Before assembly, make sure that the tool is switched off and unplugged.

Fitting the guard (fig. A)

- Remove the Allen screws (13) from the head (14).
- Place the guard (8) onto the tool as shown.
- Firmly press the guard until it snaps into place.
- Secure the guard with the Allen screws.
- Tighten the Allen screws using the Allen key (15) provided.

Warning! Never use the tool unless the guard is properly fitted.

Releasing the cutting line

In transit, the cutting line is taped to the spool housing.

- Remove the tape holding the cutting line (11) to the spool housing (10).

Connecting the tool to the mains

- Connect the female plug of a suitable extension cable to the power inlet (4).
- Loop the cable through the cable restraint (3).
- Insert the mains plug into a mains outlet.

Warning! The extension cable must be suitable for outdoor use.

Use

Warning! Let the tool work at its own pace. Do not overload.

Setting the tool to trimming or edging mode (fig. B - D)

The tool can be used in trimming mode as shown in fig. B or in edging mode to trim overhanging grass along lawn edges and flower beds as shown in fig. C.

Trimming mode (fig. B & D)

For trimming, the trimmer head should be in the position shown in fig. B. If it is not:

- Depress the adjustment button (6).
- Rotate the tube (7), while releasing the button.
- When the head is in position, the button will lock into place.

Note: The tube will only rotate in one direction.

Edging mode (fig. C & D) For edging, the trimmer head should be in the position shown in fig. C. If it is not:

- Depress the adjustment button (6).
- Rotate the tube (7), while releasing the button.

- When the head is in position, the button will lock into place.

Note: The tube will only rotate in one direction.

Adjusting the height of the tool (fig. D)

This tool has a telescopic mechanism, allowing you to set it to a comfortable height. There are three height settings. To adjust the height setting, proceed as follows:

- Depress the adjustment button (6).
- Gently pull the tube (7) out of the motor housing (15) to the desired height, while releasing the button.
- When the tube is in position, the button will lock into place.

Switching on and off

- To switch the tool on, squeeze the trigger lever (1).
- To switch the tool off, release the trigger lever.

Warning! Never attempt to lock the trigger lever in the on position.

Hints for optimum use

General

- In order to achieve optimum cutting results, only cut dry grass.

Trimming

- Hold the tool as shown in fig. B.
- Gently swing the trimmer from side to side.
- When cutting long grass, work in stages from the top.
Take small cuts.
- Keep the tool away from hard objects and delicate plants.
- If the tool starts running slowly, reduce the load.

Edging

Optimum cutting results are achieved on edges deeper than 50 mm.

- Do not use the tool to create edges. To create edges, use an edging spade.
- Guide the tool as shown in fig. C.
- To make a closer cut, slightly tilt the tool.

Maintenance

Your tool has been designed to operate over a long period of time with a minimum of maintenance. Continuous satisfactory operation depends upon proper tool care and regular cleaning.

Warning! Before performing any maintenance, switch off and unplug the tool.

- Regularly clean the ventilation slots in your tool using a soft brush or dry cloth.
- Regularly clean the cutting line and spool using a soft brush or dry cloth.
- Regularly use a blunt scraper to remove grass and dirt from the underneath of the guard.

Fitting a new spool of cutting line (fig. E & F)

Replacement spools of cutting line are available from your Black & Decker dealer (cat. no. A6495).

- Keep the tabs (17) depressed and remove the spool cover (18) from the housing (10).
- Remove the empty spool (19) from the spool housing.
- Remove any dirt and grass from the spool cover and housing.
- Take the new spool and push it onto the boss in the spool cover. Rotate the spool slightly until it is seated.
- Unclip the end of one of the cutting lines and guide the line into one of the eyelets (20). The line should protrude approx. 11 cm from the spool cover.
- Unclip the end of the other cutting line and guide the line into the other eyelet. The line should protrude approx. 11 cm from the spool cover.
- Align the tabs (17) on the spool cover with the cut outs (21) in the housing.
- Push the cover onto the housing until it snaps securely into place.

Warning! If the cutting lines protrude beyond the trimming blade (9), cut them off so that they just reach the blade.

Winding new line onto an empty spool (fig. G - I)

You may wind new cutting line onto an empty spool. Replacement packs of cutting line are available from your Black & Decker dealer (cat. no. A6171).

- Remove the empty spool from the tool as described above.
- Remove any remaining cutting line from the spool.
- First wind new line onto the uppermost part of the spool:
 - Feed 2 cm of cutting line into one of the slots in the upper section of the spool as shown.
 - Wind the cutting line onto the spool in the direction of the arrow. Make sure to wind the line on neatly and in layers. Do not criss-cross.

- When the wound cutting line reaches the recesses (22), cut the line.
- Temporarily park the line in the slots (23) on one side of the spool as shown.
- Repeat the above procedure for the second cutting line on the lower section of the spool. Park the line in the unused slots (23).
- Proceed as described above to fit the spool on the tool. Do not forget to release the cutting line from the parking slots (23).

Warning! Only use the appropriate type of Black & Decker cutting line. Ensure that cutting line is present in both sections of the spool.

Mains plug replacement (U.K. & Ireland only)

If a new mains plug needs to be fitted:

- Safely dispose of the old plug.
- Connect the brown lead to the live terminal in the new plug.
- Connect the blue lead to the neutral terminal.

Warning! No connection is to be made to the earth terminal. Follow the fitting instructions supplied with good quality plugs. Recommended fuse: 5 A.

Troubleshooting

If your tool seems not to operate properly, follow the instructions below. If this does not solve the problem, please contact your local Black & Decker repair agent.

Warning! Before proceeding, unplug the tool.

Tool runs slowly

- Check that the spool housing can rotate freely. Carefully clean it if necessary.
- Check that the cutting line does not protrude more than 11 cm from the spool housing. If it does, cut it off so that it just reaches the line trimming blade.

Automatic line feed does not work

- Keep the tabs depressed and remove the spool cover from the housing.
- Pull the cutting line until it protrudes 11 cm from the housing. If insufficient cutting line is left on the spool, install a new spool of cutting line as instructed above.
- Align the tabs on the spool cover with the cut outs in the housing.
- Push the cover onto the housing until it snaps securely into place.
- If the cutting line protrudes beyond the trimming blade, cut it off so that it just reaches the blade.

If the automatic line feed still does not work or the spool is jammed, try the following suggestions:

- Carefully clean the spool cover and housing.
- Remove the spool and check if the lever can move freely.
- Remove the spool and unwind the cutting line, then wind it on neatly again as described above. Replace the spool as instructed.

Protecting the environment



Separate collection. This product must not be disposed of with normal household waste.

Should you find one day that your Black & Decker product needs replacement, or if it is of no further use to you, do not dispose of it with household waste. Make this product available for separate collection.



Separate collection of used products and packaging allows materials to be recycled and used again. Reuse of recycled materials helps prevent environmental pollution and reduces the demand for raw materials.

Local regulations may provide for separate collection of electrical products from the household, at municipal waste sites or by the retailer when you purchase a new product.

Black & Decker provides a facility for the collection and recycling of Black & Decker products once they have reached the end of their working life. To take advantage of this service please return your product to any authorised repair agent who will collect them on our behalf.

You can check the location of your nearest authorised repair agent by contacting your local Black & Decker office at the address indicated in this manual. Alternatively, a list of authorised Black & Decker repair agents and full details of our after-sales service and contacts are available on the Internet at: www.2helpU.com

Technical data

		GL701	GL716	GL720	GL741
Voltage	V_{AC}	230	230	230	230
Power input	W	550	580	600	700
No-load speed	min^{-1}	6,500	6,500	6,500	6,500
Weight	kg	3.2	3.2	3.2	3.2

EC declaration of conformity

GL701/GL716/GL720/GL741

Black & Decker declares that these products conform to: 98/37/EC, 89/336/EEC, 73/23/EEC, EN 60335, EN 55014, EN 61000, 2000/14/EC, Annex VIII, Lawn trimmer, $L \leq 50$ No. 0344, KEMA Quality B.V., Utrechtseweg 310, 6802 ED Arnhem, The Netherlands

Level of sound pressure, measured according to 2002/14/EC:

L_{PA} (sound pressure) 81 dB(A)

L_{WA} (acoustic power) 95 dB(A)

L_{WA} (guaranteed) 96 dB(A)

Hand/arm weighted vibration value according to EN 786: < 2,5 m/s^2

Kevin Hewitt
Director of Consumer
Engineering

Spennymoor, County Durham
DL16 6JG, United Kingdom
1-11-2005

UK patent application no. 059745.6
European Community design application nos.
340385-0001 & 339544-0001

Guarantee

Black & Decker is confident of the quality of its products and offers an outstanding guarantee. This guarantee statement is in addition to and in no way prejudices your statutory rights. The guarantee is valid within the territories of the Member States of the European Union and the European Free Trade Area.

If a Black & Decker product becomes defective due to faulty materials, workmanship or lack of conformity, within 24 months from the date of purchase, Black & Decker guarantees to replace defective parts, repair products subjected to fair wear and tear or replace such products to ensure minimum inconvenience to the customer unless:

- The product has been used for trade, professional or hire purposes;
- The product has been subjected to misuse or neglect;
- The product has sustained damage through foreign objects, substances or accidents;
- Repairs have been attempted by persons other than authorised repair agents or Black & Decker service staff.

To claim on the guarantee, you will need to submit proof of purchase to the seller or an authorised repair agent. You can check the location of your nearest authorised repair agent by contacting your local Black & Decker office at the address indicated in this manual. Alternatively, a list of authorised Black & Decker repair agents and full details of our after-sales service and contacts are available on the Internet at: **www.2helpU.com**

Please visit our website **www.blackanddecker.co.uk** to register your new Black & Decker product and to be kept up to date on new products and special offers. Further information on the Black & Decker brand and our range of products is available at **www.blackanddecker.co.uk**

Bestimmungsgemäße Verwendung

Ihr Black & Decker Strimmer GL701/GL716/ GL720/GL741 wurde zum Trimmen und Beschneiden von Rasenkanten sowie zum Schneiden von Gras an schwer zugänglichen Stellen entwickelt. Dieses Gerät ist nicht für den gewerblichen Einsatz vorgesehen.

Sicherheitshinweise

- **Warnung!** Bei der Verwendung elektrischer Geräte sind zum Schutz gegen Feuergefahr, gegen elektrischen Schlag sowie gegen Körper- und Sachschaden grundlegende Sicherheitsmaßnahmen, einschließlich der folgenden Vorschriften, zu beachten.
- Lesen Sie diese Anleitung gründlich durch, bevor Sie das Gerät verwenden.
- Bewahren Sie diese Anleitung auf.
- Ziehen Sie immer den Netzstecker, bevor Sie Einstellungs- oder Wartungsarbeiten durchführen.

Halten Sie Ihren Arbeitsbereich in Ordnung!

Unordnung im Arbeitsbereich führt zu Unfallgefahren.

Berücksichtigen Sie Umgebungseinflüsse!

Setzen Sie das Gerät keinem Regen aus. Verwenden Sie das Gerät nicht in einer feuchten oder nassen Umgebung. Sorgen Sie für eine gute Beleuchtung des Arbeitsbereiches. Benutzen Sie das Gerät nicht an Orten, wo Feuergefahr oder Explosionsgefahr besteht, z.B. in der Nähe von brennbaren Flüssigkeiten oder Gasen.

Halten Sie Kinder fern!

Halten Sie Kinder, Besucher und Tiere dem Arbeitsbereich fern und sorgen Sie dafür, daß sie das Gerät und das Netzkabel nicht berühren.

Tragen Sie geeignete Arbeitskleidung!

Tragen Sie keine weite Kleidung oder Schmuck, da diese von sich bewegendenden Teilen erfaßt werden können. Beim Arbeiten im Freien sind Arbeitshandschuhe und rutschfestes Schuhwerk empfehlenswert. Tragen Sie bei langen Haaren ein Haarnetz.

Schutzmaßnahmen:

Verwenden Sie immer eine Schutzbrille. Tragen Sie eine Atemschutzmaske, falls die Arbeiten Staub oder Späne erzeugen können. Tragen Sie einen Gehörschutz.

Schutz vor elektrischem Schlag:

Vermeiden Sie eine Körperberührung mit geerdeten Objekten (z.B. Rohren, Heizkörpern, Herden und Kühlschränken). Die elektrische Sicherheit läßt sich durch Verwendung eines

Fehlerstrom-Schutzschalters (30 mA / 30 mS) weiter erhöhen.

Achten Sie auf einen sicheren Stand!

Achten Sie auf einen sicheren Stand, um in jeder Arbeitsposition das Gleichgewicht zu halten.

Seien Sie stets aufmerksam!

Konzentrieren Sie sich auf Ihre Arbeit. Gehen Sie vernünftig vor. Verwenden Sie das Gerät nicht, wenn Sie müde sind.

Sichern Sie das Werkstück!

Benutzen Sie Spannvorrichtungen oder einen Schraubstock, um das Werkstück festzuhalten. Es ist damit sicherer gehalten und ermöglicht die Bedienung des Gerätes mit beiden Händen.

Schließen Sie Vorrichtungen zur Staubabsaugung an!

Falls Vorrichtungen zur Absaugung oder zum Sammeln von Staub an das Gerät angeschlossen werden können, vergewissern Sie sich, daß diese angeschlossen sind und ordnungsgemäß verwendet werden.

Lassen Sie keine Schlüssel stecken!

Überprüfen Sie vor dem Einschalten, ob die Schlüssel und Einstellwerkzeuge entfernt sind.

Verlängerungskabel

Prüfen Sie vor dem Gebrauch das Verlängerungskabel und tauschen Sie es aus, falls es beschädigt ist. Wenn Sie das Gerät im Freien verwenden, verwenden Sie nur Verlängerungskabel, die sich für den Einsatz im Freien eignen. Ein bis zu 30 m langes Black & Decker Verlängerungskabel kann verwendet werden, ohne daß Leistungsverluste entstehen.

Benutzen Sie das richtige Gerät!

Die bestimmungsgemäße Verwendung ist in dieser Betriebsanleitung beschrieben. Verwenden Sie keine zu schwachen Geräte oder Zubehörteile für schwere Arbeiten. Mit dem richtigen Gerät erzielen Sie eine optimale Qualität und gewährleisten Ihre persönliche Sicherheit. Überlasten Sie das Gerät nicht. Verwenden Sie das Gerät nicht für andere Zwecke als vorgesehen; verwenden Sie z.B. eine Handkreissäge nicht zum Sägen von Baumstämmen und Ästen.

Warnung! Das Verwenden anderer als der in dieser Anleitung empfohlenen Vorsatzgeräte und Zubehörteile oder die Ausführung von Arbeiten mit diesem Gerät, die nicht der bestimmungsgemäßen Verwendung entsprechen, kann zu Unfallgefahren führen.

Kontrollieren Sie Ihr Gerät auf Beschädigungen!

Überprüfen Sie das Gerät und das Netzkabel vor der Arbeit auf Beschädigungen. Überprüfen

Sie, ob alle beweglichen Teile richtig montiert sind, ob keine Teile gebrochen sind, ob keine Schutzvorrichtungen und Schalter beschädigt sind, und ob irgendwelche anderen Schäden den einwandfreien Betrieb des Gerätes beeinträchtigen könnten. Vergewissern Sie sich, daß das Gerät ordnungsgemäß funktionieren wird. Benutzen Sie das Gerät nicht, wenn ein Teil defekt ist. Verwenden Sie das Gerät nicht, wenn der Ein-/Aus-Schalter nicht funktioniert. Lassen Sie defekte Teile immer von einer unserer Kundendienstwerkstätten reparieren oder austauschen. Versuchen Sie nie, das Gerät selber zu reparieren.

Ziehen Sie den Netzstecker!

Ziehen Sie den Netzstecker, wenn Sie das Gerät nicht benutzen, bevor Sie irgendwelche Werkzeuge, Zubehörteile oder Geräteteile auswechseln und bevor Sie irgendwelche Wartungsarbeiten vornehmen.

Vermeiden Sie ein unbeabsichtigtes

Einschalten!

Tragen Sie das Gerät nicht mit dem Finger am Ein-/Aus- Schalter. Vergewissern Sie sich, daß das Gerät ausgeschaltet ist, wenn Sie es an die Stromversorgung anschließen.

Behandeln Sie das Kabel sorgfältig!

Tragen Sie das Gerät nicht am Kabel und benutzen Sie das Kabel nicht, um den Stecker aus der Steckdose zu ziehen. Schützen Sie das Kabel vor Hitze, Öl und scharfen Kanten.

Bewahren Sie Ihre Geräte sicher auf!

Unbenutzte Geräte sind an einem trockenen, für Kinder nicht erreichbaren Ort aufzubewahren. Pflegen Sie Ihre Geräte mit Sorgfalt! Halten Sie Schneidwerkzeuge scharf und sauber, um gut und sicher arbeiten zu können. Befolgen Sie die Wartungsvorschriften und die Hinweise für den Werkzeugwechsel. Halten Sie Handgriffe und Schalter trocken, sauber und frei von Öl und Fett.

Reparaturen:

Dieses Gerät entspricht den einschlägigen Sicherheitsvorschriften. Reparaturen sind nur von autorisierten Fachkräften und mit Original-Ersatzteilen vorzunehmen; andernfalls kann Unfallgefahr für den Betreiber entstehen.

Elektrische Sicherheit:



Dieses Gerät ist schutzisoliert, daher ist keine Erdleitung erforderlich. Überprüfen Sie stets, ob die Netzspannung der auf dem Typenschild angegebenen Spannung entspricht.

- Dieses Gerät darf ohne Aufsicht nicht von jungen oder schwachen Personen verwendet

werden. Kinder müssen beaufsichtigt werden, um sicherzustellen, daß sie nicht mit dem Gerät spielen.

- Falls das Netzkabel beschädigt ist, so ist es vom Hersteller oder einem autorisierten Black & Decker Service Center auszutauschen, um Gefahren vorzubeugen.

Zusätzliche Sicherheitsanweisungen für Rasentrimmer

Das Gerät ist mit folgenden Warnsymbolen versehen:



Lesen Sie vor der Inbetriebnahme die Anleitung.



Tragen Sie bei der Verwendung dieses Geräts eine Schutzbrille!



Halten Sie Umstehende und Tiere mindestens 6 m vom Arbeitsbereich fern.



Setzen Sie das Gerät keinem Regen oder hoher Feuchtigkeit aus.

- Machen Sie sich mit den Bedienungselementen und dem richtigen Gebrauch der Ausrüstung vertraut.
- Verwenden Sie die Maschine nur bei Tageslicht oder guter künstlicher Beleuchtung.
- Überprüfen Sie vor der Verwendung das Stromversorgungs- und Verlängerungskabel auf Anzeichen von Schäden oder Alterserscheinungen. Falls das Kabel beim Gebrauch beschädigt wird, trennen Sie es sofort vom Netz. **BERÜHREN SIE DAS KABEL NICHT, SOLANGE ES NOCH NICHT VOM NETZ GETRENNT IST.**
- Verwenden Sie den Rasentrimmer (Kantentrimmer) nicht, wenn die Kabel beschädigt oder verschlissen sind.
- Tragen Sie zum Schutz Ihrer Füße feste Schuhe oder Stiefel.
- Tragen Sie zum Schutz Ihrer Beine eine lange Hose.
- Bevor Sie das Gerät verwenden, vergewissern Sie sich, daß der Arbeitsbereich frei von Stöcken, Steinen, Draht und anderen Hindernissen ist.
- Verwenden Sie das Gerät nur in aufrechter Position, mit dem Schneidfaden nahe am Boden. Schalten Sie das Gerät niemals ein, wenn es sich in einer anderen Position befindet.
- Bewegen Sie sich während der Arbeit mit dem Gerät nur langsam. Beachten Sie, daß frisch

geschnittener Rasen feucht und rutschig ist.

- Arbeiten Sie nicht auf steilen Hängen.
- Schneiden Sie entlang der Böschung, nie von oben nach unten.
- Überqueren Sie keine Kieselwege oder -wege, während das Gerät läuft.
- Berühren Sie nie den Schneidfaden, während das Gerät läuft.
- Legen Sie das Gerät erst ab, wenn der Schneidfaden vollkommen zum Stillstand gekommen ist.
- Verwenden Sie ausschließlich Schneidfäden des richtigen Typs. Verwenden Sie nie Schneidfäden aus Metall oder Angelschnur.
- Achten Sie darauf, daß Sie das Faden-Kappmesser nicht berühren.
- Halten Sie das Netzkabel vom Schneidfaden fern. Achten Sie immer auf die Lage des Kabels.
- Halten Sie stets die Hände und Füße vom Schneidgerät fern, besonders beim Einschalten des Motors.
- Achtung. Wird der Motor ausgeschaltet, so laufen die Schneidelemente nach.
- Betreiben Sie die Maschine niemals mit beschädigten oder nicht angebrachten Schutzvorrichtungen.
- Vergewissern Sie sich stets, daß die Ventilationsöffnungen frei von Verunreinigungen gehalten werden.

Merkmale

Dieses Gerät weist einige oder alle der folgenden Merkmale auf.

1. Ein-/Aus-Schalter
2. Handgriff
3. Kabelzugentlastung
4. Netzanschluß
5. Zweithandgriff
6. Einstellknopf
7. Rohr
8. Schutzvorrichtung
9. Faden-Kappmesser
10. Spulengehäuse
11. Schneidfaden
12. Kantenführung

Montage

Achtung! Vergewissern Sie sich vor der Montage, daß das Gerät ausgeschaltet ist und daß der Netzstecker gezogen wurde.

Anbringen der Schutzvorrichtung (Abb. A)

- Entfernen Sie die Innensechskantschrauben (13) vom Kopf (14).
- Bringen Sie die Schutzvorrichtung (8) gemäß der Abbildung am Gerät an.
- Drücken Sie die Schutzvorrichtung auf das Gerät, bis sie einrastet.
- Sichern Sie die Schutzvorrichtung mit den Innensechskantschrauben.
- Ziehen Sie die Innensechskantschrauben mit dem mitgelieferten Innensechskantschlüssel (15) an.

Achtung! Verwenden Sie das Gerät nur, wenn die Schutzvorrichtung ordnungsgemäß montiert ist.

Lösen des Schneidfadens

Ab Werk ist der Schneidfaden mit Klebeband am Spulengehäuse befestigt.

- Entfernen Sie das Klebeband, mit dem der Schneidfaden (11) am Spulengehäuse (10) befestigt ist.

Anschließen an die Stromversorgung

- Schließen Sie die Steckdose eines geeigneten Verlängerungskabels an den Netzanschluß (4) an.
- Führen Sie das Kabel durch die Zugentlastung (3).
- Stecken Sie den Netzstecker in eine Steckdose.

Achtung! Das Verlängerungskabel muss für den Einsatz im Freien geeignet sein.

Gebrauch

Achtung! Beschleunigen Sie den Arbeitsvorgang nicht mit Gewalt. Vermeiden Sie eine Überlastung des Gerätes.

Einstellen des Geräts auf die Trimm- oder Kantenschnitt-Betriebsart (Abb. B - D)

Dieses Gerät kann sowohl zum Trimmen wie in Abb. B als auch zum Kantenschneiden (Beschneiden überhängenden Grases entlang Rasenkanten und Blumenbeeten) wie in Abb. C verwendet werden.

Trimm-Betriebsart (Abb. B & D)

Beim Trimmen muß sich der Trimmerkopf in der in Abb. B angegebenen Position befinden. Ist dies nicht der Fall:

- Drücken Sie auf den Einstellknopf (6).
- Drehen Sie das Rohr (7), während Sie den Knopf loslassen.
- Befindet sich der Kopf in seiner Position, so rastet der Knopf ein.

Hinweis: Das Rohr läßt sich nur in eine Richtung drehen.

Kantenschnitt-Betriebsart (Abb. C & D)

Beim Kantenschneiden muß sich der Trimmerkopf in der in

Abb. C angegebenen Position befinden. Ist dies nicht der Fall:

- Drücken Sie auf den Einstellknopf (6).
- Drehen Sie das Rohr (7), während Sie den Knopf loslassen.
- Befindet sich der Kopf in seiner Position, so rastet der Knopf ein.

Hinweis: Das Rohr läßt sich nur in eine Richtung drehen.

Einstellen der Gerätehöhe (Abb. D)

Dieses Gerät hat einen Teleskopmechanismus, so daß Sie es auf eine komfortable Höhe einstellen können. Drei Höheneinstellungen sind möglich. Um die Höhe einzustellen, gehen Sie folgendermaßen vor:

- Drücken Sie auf den Einstellknopf (6).
- Ziehen Sie das Rohr (7) ohne Gewalt aus dem Motorgehäuse (16) bis zur gewünschten Höhe heraus, während Sie den Knopf loslassen.
- Befindet sich das Rohr in seiner Lage, so rastet der Knopf ein.

Ein- und Ausschalten

- Um das Gerät einzuschalten, drücken Sie auf den Einschalthebel (1).
- Um das Gerät auszuschalten, lassen Sie Einschalthebel los.

Achtung! Versuchen Sie niemals, den Einschalthebel im eingeschalteten Zustand zu verriegeln.

Hinweise für optimale Arbeitsergebnisse

Allgemein

- Um optimale Schnittergebnisse zu erzielen, schneiden Sie nur trockenes Gras.

Trimmen

- Halten Sie das Gerät wie in Abb. B dargestellt.
- Schwenken Sie den Trimmer gleichmäßig von einer Seite zur anderen.
- Bei langem Gras arbeiten Sie stufenweise in kleinen Schritten von oben nach unten. Führen Sie kleine Schnitte aus.
- Halten Sie das Gerät von harten Gegenständen und empfindlichen Pflanzen fern.
- Falls das Gerät beginnt, langsam zu laufen, verringern Sie die Belastung.

Kantenschneiden

Optimale Schnittergebnisse erhalten Sie bei Kanten mit einer Tiefe von mindestens 50 mm.

- Verwenden Sie das Gerät nicht zum Bilden neuer Kanten. Verwenden Sie zum Bilden von Kanten einen Kantenspaten.
- Führen Sie das Gerät wie in Abb. C dargestellt.
- Um einen kürzeren Schnitt zu erzielen, neigen Sie das Gerät ein wenig.

Wartung

Ihr Gerät wurde im Hinblick auf eine lange Lebensdauer und einen möglichst geringen Wartungsaufwand entwickelt. Ein dauerhafter, einwandfreier Betrieb setzt eine regelmäßige Pflege und Reinigung voraus.

Achtung! Bevor Sie irgendwelche Wartungsarbeiten vornehmen, schalten Sie das Gerät aus, und ziehen Sie den Netzstecker.

- Gerät mit Hilfe einer weichen Bürste oder eines trockenen Tuches.
- Reinigen Sie regelmäßig den Schneidfaden und die Fadenspule mit einer weichen Bürste oder einem trockenen Tuch.
- Verwenden Sie regelmäßig einen stumpfen Schaber, um Gras und Schmutzreste von der Unterseite der Schutzvorrichtung zu entfernen.

Anbringen einer neuen Fadenspule (Abb. E & F)

Neue Spulen mit Schneidfaden sind bei Ihrem Black & Decker Händler erhältlich (Bestellnummer A6495).

- Halten Sie die Zungen (17) gedrückt und entfernen Sie den Spulendeckel (18) vom Gehäuse (10).
- Entfernen Sie die leere Spule (19) aus dem Spulengehäuse.
- Entfernen Sie Schmutzreste und Gras vom Spulendeckel und aus dem Gehäuse.
- Nehmen Sie die neue Spule, und drücken Sie sie auf den Zapfen im Spulendeckel. Drehen Sie die Spule ein wenig, bis sie richtig sitzt.
- Lösen Sie das Ende des einen Schneidfadens und führen Sie den Faden in eine der Ösen (20). Der Schneidfaden sollte ca. 11 cm aus dem Spulendeckel hervorstehen.
- Lösen Sie das Ende des anderen Schneidfadens, und führen Sie den Faden in die andere Öse. Der Schneidfaden sollte ca. 11 cm aus dem Spulendeckel hervorstehen.
- den Aussparungen (21) im Gehäuse aus.
- Drücken Sie den Deckel auf das Gehäuse, bis er sicher einrastet.

Achtung! Falls die Schneidfäden aus dem Faden-Kappmesser (9) herausragen, schneiden Sie die Fäden ab, so daß sie gerade bis zum Faden-Kappmesser reichen.

Aufwickeln eines neuen Schneidfadens auf eine leere Spule (Abb. G - I)

Sie können einen neuen Schneidfaden auf eine leere Spule aufwickeln. Neuer, loser Schneidfaden ist bei Ihrem Black & Decker Händler erhältlich (Bestellnummer A6171).

- Entfernen Sie die leere Spule gemäß Beschreibung oben.
- Entfernen Sie etwaige Fadenreste von der Spule.
- Wickeln Sie zuerst neuen Faden auf den oberen Teil der Spule auf:
 - Führen Sie 2 cm Schneidfaden wie abgebildet in einen der Schlitze oben in der Spule.
 - Wickeln Sie den Schneidfaden in Richtung des Pfeils

auf die Spule auf. Achten Sie darauf, daß Sie den Faden sauber und in Schichten aufwickeln.

Vermeiden

Sie ein kreuzweises Aufwickeln.

- Wenn der aufgewickelte Faden die Aussparungen (22) erreicht, schneiden Sie ihn ab.
- Klemmen Sie den Schneidfaden wie angegeben vorübergehend in die Schlitze (23) an einer Seite der Spule.
- Wiederholen Sie den oben beschriebenen Vorgang für den zweiten Schneidfaden auf dem unteren Teil der Spule. Klemmen Sie den Faden in die noch freien Schlitze (23).
- Um die Spule am Gerät anzubringen, gehen Sie wie oben beschrieben vor. Vergessen Sie nicht, den Faden aus den Schlitzen (23) zu lösen.

Achtung! Verwenden Sie ausschließlich Black & Decker Schneidfaden des richtigen Typs. Achten Sie darauf, daß auf beiden Teilen der Spule Schneidfaden vorhanden ist.

Störungsbehebung

Falls Ihr Gerät nicht ordnungsgemäß funktioniert, befolgen Sie folgende Hinweise. Falls die Störung damit nicht behoben wird, wenden Sie sich bitte an den Black & Decker Kundendienst.

Achtung! Bevor Sie die folgenden Schritte vornehmen, ziehen Sie den Netzstecker.

Das Gerät läuft nur langsam.

- Überprüfen Sie, ob sich das Spulengehäuse

frei drehen kann. Reinigen Sie es gegebenenfalls sorgfältig.

- Vergewissern Sie sich, daß die Länge des aus dem Spulengehäuse hervorstehenden Schneidfadens 11 cm nicht überschreitet. Falls doch, dann schneiden Sie den Faden ab, so daß er gerade das Faden-Kappmesser erreicht.

Die automatische Fadenzufuhr funktioniert nicht.

- Halten Sie die Zungen gedrückt und nehmen Sie den Spulendeckel vom Gehäuse.
- Ziehen Sie am Schneidfaden, bis er 11 cm aus dem Spulengehäuse hervorsteht. Falls der Schneidfaden auf der Spule nicht mehr ausreicht, setzen Sie wie oben beschrieben eine neue Fadenspule ein.
- Richten Sie die Zungen am Spulendeckel mit den Aussparungen im Gehäuse aus.
- Drücken Sie den Deckel auf das Gehäuse, bis er sicher einrastet.
- Falls der Schneidfaden über das Faden-Kappmesser hinaus hervorsteht, schneiden Sie den Faden ab, so daß er gerade bis zum Faden-Kappmesser reicht.

Falls die automatische Fadenzufuhr noch immer nicht funktioniert oder die Spule klemmt, versuchen Sie folgendes:

- Reinigen Sie sorgfältig den Spulendeckel und das Spulengehäuse.
- Entfernen Sie die Spule und überprüfen Sie, ob sich der Hebel frei bewegen kann.
- Entfernen Sie die Spule, und wickeln Sie den Faden ab. Wickeln Sie den Faden dann wie oben beschrieben wieder sauber auf. Bringen Sie die Spule wieder wie beschrieben an.

Umweltschutz



Getrennte Entsorgung. Dieses Produkt darf nicht über den normalen Hausmüll entsorgt werden.

Sollte Ihr Black & Decker Produkt eines Tages erneuert werden müssen, oder falls Sie es nicht weiter verwenden wollen, so darf es nicht über den Hausmüll entsorgt werden. Stellen Sie dieses Produkt zur getrennten Entsorgung bereit.



Durch die getrennte Entsorgung gebrauchter Produkte und Verpackungen können die Materialien recycelt und wiederverwertet werden. Die Wiederverwertung recycelter

Materialien schon die Umwelt und verringert die Nachfrage nach Rohstoffen.

EG-Konformitätserklärung

Die regionalen Bestimmungen schreiben unter Umständen die getrennte Entsorgung elektrischer Produkte aus dem Haushalt an Sammelstellen oder seitens des Händlers vor, bei dem Sie das neue Produkt erworben haben.

Black & Decker nimmt Ihre ausgedienten Black & Decker Geräte gern zurück und sorgt für eine umweltfreundliche Entsorgung und Wiederverwertung. Um diesen Dienst zu nutzen, schicken Sie bitte Ihr Produkt zu einer Vertragswerkstatt. Hier wird es dann auf unsere Kosten gesammelt.

Die Adresse der zuständigen Black & Decker Vertretung steht in diesem Handbuch, darüber läßt sich die nächstgelegene Vertragswerkstatt ermitteln. Außerdem ist eine Liste der Vertragswerkstätten und aller Kundendienststellen von Black & Decker sowie der zuständigen Ansprechpartner im Internet zu finden unter: www.2helpU.com

Technische Daten

		GL701	GL716	GL720	GL741
Spannung	V_{AC}	230	230	230	230
Leistungsaufnahme	W	550	580	600	700
Leerlaufdrehzahl	min^{-1}	6.500	6.500	6.500	6.500
Gewicht	kg	3,2	3,2	3,2	3,2

GL701/GL716/GL720/GL741

Black & Decker erklärt, daß diese Produkte folgende Konformität erfüllen: 98/37/EWG, 89/336/EWG, 73/23/EWG, EN 60335, EN 55014, EN 61000, 2000/14/EC, Anhang VIII, Rasentrimmer, L ≤ 50 No. 0344, KEMA Quality B V., Utrechtseweg 310, 6802 ED Arnhem, The Netherlands

Höhe des Schalldrucks, gemessen nach 2002/14/EWG:

L_{pA} (Schalldruck) 81 dB(A),
 L_{WA} (Schalleistung) 95 dB(A),
 L_{WA} (garantiert) 96 dB(A)
 Gewichteter Hand-/Arm-

Vibrationswert nach EN 786: < 2,5 m/s^2



Kevin Hewitt
 Director of Consumer
 Engineering
 Spennymoor, County Durham
 DL16 6JG, Vereinigtes Königreich
 1-11-2005

UK-Patentanmeldungs-Nr. 059745.6
 EG-Designanmeldungsnummern
 340385-0001 & 339544-0001

Garantie

Black & Decker vertraut auf die Qualität der eigenen Geräte und bietet dem Käufer eine außergewöhnliche Garantie. Diese Garantiezusage versteht sich unbeschadet der gesetzlichen Gewährleistungsansprüche und schränkt diese keinesfalls ein. Sie gilt in sämtlichen Mitgliedsstaaten der Europäischen Union und der Europäischen Freihandelszone EFTA.

Tritt innerhalb von 24 Monaten ab Kaufdatum an einem Gerät von Black & Decker ein auf Material- oder Verarbeitungsfehler zurückzuführender Mangel auf, garantiert Black & Decker den Austausch defekter Teile, die Reparatur von Geräten mit üblichem Verschleiß bzw. den Austausch eines mangelhaften Geräts, ohne den Kunden dabei mehr als unbedingt nötig in Anspruch zu nehmen, allerdings vorbehaltlich folgender Ausnahmen:

- wenn das Gerät gewerblich, beruflich oder im Verleihgeschäft benutzt wurde;
- wenn das Gerät mißbräuchlich verwendet oder mit mangelnder Sorgfalt behandelt wurde;
- wenn das Gerät durch irgendwelche Fremdeinwirkung beschädigt wurde;
- wenn ein unbefugter Reparaturversuch durch anderes Personal als das einer Vertragswerkstatt oder des Black & Decker-Kundendienstes unternommen wurde.

Zur Inanspruchnahme dieser Garantie ist dem Verkäufer bzw. der Vertragswerkstatt ein Kaufnachweis vorzulegen. Der Kaufnachweis muß Kaufdatum und Gerätetyp bescheinigen. Die Adresse des zuständigen Büros von Black & Decker steht in dieser Anleitung, darüber läßt sich die nächstgelegene Vertragswerkstatt ermitteln. Außerdem ist eine Liste der Vertragswerkstätten und aller Kundendienststellen von Black & Decker sowie der zuständigen Ansprechpartner im Internet zu finden unter:

www.2helpU.com

Bitte besuchen Sie unsere Webseite **www.blackanddecker.de**, um Ihr neues Black & Decker Produkt zu registrieren und über neue Produkte und Sonderangebote aktuell informiert zu werden. Weitere Informationen über die Marke Black & Decker und unsere Produkte finden Sie unter **www.blackanddecker.de**

Utilisation prévue

Votre coupe bordures GL701/GL716/GL720/GL741 Black & Decker a été conçu pour tailler et arranger les bordures de pelouse et pour couper l'herbe dans des espaces réduits. Cet outil a été conçu pour une utilisation exclusivement domestique.

Instructions de sécurité

- **Attention!** Lors de l'utilisation d'outils électriques, observez les consignes fondamentales de sécurité, y compris celles qui suivent afin de réduire les risques d'incendie, de décharges électriques, de blessures et de dommages matériels.
- Lisez et observez attentivement les instructions avant d'utiliser l'outil.
- Conservez ces instructions.
- Débranchez l'outil avant d'effectuer tout réglage, entretien ou réparation.

Tenez votre aire de travail propre et bien rangée

Le désordre augmente les risques d'accident.

Tenez compte des conditions ambiantes

N'exposez pas l'outil à la pluie. N'exposez pas l'outil à l'humidité. Veillez à ce que l'aire de travail soit bien éclairée. N'utilisez pas l'outil s'il existe un risque d'incendie ou d'explosion, par exemple en présence de liquides ou de gaz inflammables.

Tenez les enfants éloignés

Ne laissez pas les enfants, les visiteurs ou les animaux s'approcher de l'aire de travail ou toucher l'outil ou le câble d'alimentation.

Portez des vêtements de travail appropriés

Ne pas porter de vêtements flottants ou de bijoux. Ils pourraient être happés par les pièces en mouvement. Lors de travaux à l'extérieur, il est recommandé de porter des gants en caoutchouc et des chaussures à semelle anti-dérapante. Le cas échéant, attachez vos cheveux s'ils sont longs, ou couvrez vous la tête.

Protection

Portez toujours des lunettes de protection. Portez des lunettes de protection et un masque pour protéger le visage si le travail exécuté produit de la poussière ou des copeaux volants. Portez des protections auditives.

Protégez-vous des décharges électriques.

Veillez à ce que le corps n'entre pas en contact avec des surfaces reliées à la prise de masse ou de terre (par ex. tuyaux, radiateurs, cuisinières et réfrigérateurs). Utilisez un interrupteur de protection contre les courants de court-circuits à haute sensibilité (30 mA / 30 mS) pour améliorer la sécurité électrique.

Adoptez une position confortable

Toujours tenir les deux pieds à terre et garder l'équilibre.

Faites preuve de vigilance

Observez votre travail. Faites preuve de bon sens. Ne pas

employer l'outil en cas de fatigue.

Fixez bien la pièce à travailler

Pour plus de sécurité, fixez la pièce à travailler avec un dispositif de serrage ou un étau. Ainsi, vous aurez les deux mains libres pour manier l'outil.

Branchez le dispositif d'extraction de poussière.

Si vous disposez de systèmes pour brancher les dispositifs d'extraction et de ramassage de poussière, assurez-vous qu'ils sont bien branchés et qu'ils fonctionnent correctement.

Enlevez les clés et outils de réglage

Avant de mettre l'outil en marche, retirez les clés et outils de réglage.

Rallonges

Vérifiez la rallonge avant de l'utiliser et remplacez-la en cas de dommage. Si vous souhaitez utiliser cet outil à l'extérieur, n'utilisez que des rallonges prévues à cet effet. Des rallonges Black & Decker de 30 m de longueur peuvent être utilisées sans perte de puissance.

Utilisez l'outil adéquat

Le domaine d'utilisation de l'outil est décrit dans le présent manuel. Ne pas utiliser d'outils ou d'accessoires de trop faible puissance pour exécuter des travaux lourds. L'utilisation d'accessoires autres que ceux recommandés dans le présent manuel pourrait entraîner un risque de blessure. Ne forcez pas l'outil. N'utilisez jamais l'outil pour effectuer des travaux autres que ceux pour lesquels il a été conçu, par exemple n'utilisez pas les scies circulaires pour scier des branches d'arbres ou des bûches.

Attention! Utilisez l'outil conformément à sa destination.

Contrôlez les dommages éventuels de votre outil

Avant d'utiliser l'outil et le câble d'alimentation, vérifiez soigneusement qu'ils ne sont pas endommagés. Vérifiez l'alignement des pièces en mouvement, leur prise et toute rupture de pièces, tout dommage des protections et des interrupteurs et toute autre condition pouvant affecter le fonctionnement de l'outil. Veillez à ce que l'outil fonctionne correctement et qu'il exécute les tâches pour lesquelles il est prévu. N'utilisez pas l'outil si une pièce est défectueuse. Ne pas utiliser l'outil si l'interrupteur marche/arrêt ne fonctionne pas. Faites réparer ou échangez toute pièce

pas. Faites réparer ou échangez toute pièce endommagée par un service de réparation agréé. Ne tentez jamais de le réparer vous-même.

Retirez l'outil de la prise

Retirez l'outil de la prise lorsque l'outil n'est pas utilisé, avant de changer toute pièce de l'outil ou tout accessoire et avant de procéder à l'entretien.

Évitez tout démarrage involontaire

Ne portez pas l'outil avec un doigt sur l'interrupteur marche/ arrêt. Assurez-vous que l'outil est en position d'arrêt avant de le brancher.

Ne tirez pas sur le câble d'alimentation

Ne portez jamais l'outil par le câble et ne tirez pas sur celui-ci pour le débrancher de la prise. Préservez le câble de la chaleur, de l'huile et des arêtes tranchantes.

Rangez vos outils dans un endroit sûr

Lorsque vous n'utilisez pas vos outils, rangez-les dans un endroit sec, fermé ou élevé, hors de portée des enfants.

Entretenez vos outils avec soin

Maintenez vos outils affûtés et propres afin de travailler mieux et plus sûrement. Suivez les instructions d'entretien et de changement d'accessoires. Maintenez les poignées et les interrupteurs secs, propres et exempts d'huile et de graisse.

Réparations

Cet outil est conforme aux conditions de sécurité requises. Les réparations devront uniquement être effectuées par des personnes qualifiées utilisant des pièces de rechange d'origine ; en cas contraire, cela pourrait être très dangereux pour l'utilisateur.

Sécurité électrique



L'outil est doublement isolé; par conséquent, une prise de terre n'est pas nécessaire. Vérifiez si la tension secteur correspond à la tension indiquée sur la plaque d'identification.

- Cet appareil n'est pas destiné à être utilisé par des jeunes ou des personnes infirmes sans supervision. Les enfants ne doivent pas jouer avec l'appareil.
- Si le câble d'alimentation est endommagé, il doit être remplacé par le fabricant ou par un centre de réparation agréé Black & Decker afin d'éviter tout accident.

Instructions de sécurité supplémentaires pour les coupe bordures

Les symboles de prévention suivants se trouvent sur l'outil :



Lisez le manuel avant l'emploi.



Portez des lunettes de sécurité lorsque vous utilisez cet outil.



Les personnes et les animaux doivent se tenir à une distance d'au moins 6 m de la zone de coupe.



N'exposez pas l'outil à la pluie ou à l'humidité.

- Familiarisez-vous avec les commandes et l'utilisation de cet équipement.
- Utilisez la machine uniquement à la lumière du jour ou sous un éclairage artificiel efficace.
- Avant l'utilisation, vérifiez l'état et l'usure du cordon d'alimentation et de la rallonge. Si le cordon est endommagé pendant le travail, débranchez-le immédiatement du réseau électrique. **NE TOUCHEZ PAS LE CÂBLE AVANT D'AVOIR DÉBRANCHÉ LA MACHINE.**
- N'utilisez pas le tondeuse à gazon (coupe-bordures) si les cordons sont endommagés ou usés.
- Portez des chaussures ou des bottes renforcées pour protéger vos pieds.
- Portez un pantalon pour protéger vos jambes.
- Avant d'utiliser l'outil, vérifiez qu'aucun bâton, fil de fer, pierre ou tout autre obstacle n'obstrue la zone de coupe.
- Utilisez seulement l'outil en position droite, en tenant le fil de coupe près du sol. N'allumez jamais l'outil dans une autre position.
- Déplacez-vous lentement lorsque vous utilisez l'outil. Faites attention car l'herbe fraîchement coupée est humide et glissante.
- Ne travaillez pas sur un sol très pentu. Travaillez de façon perpendiculaire aux pentes et non en montant ou en descendant.
- Ne traversez jamais de chemins ou de routes en gravier lorsque l'outil fonctionne.
- Ne touchez jamais le fil de coupe lorsque l'outil fonctionne.
- Ne posez pas l'outil avant que le fil de coupe ne se soit complètement arrêté.
- Utilisez uniquement le bon type de fil de coupe. N'utilisez jamais de fil de coupe métallique ni de fil de pêche.
- Veillez à ne pas toucher la lame coupe-fil.
- Veillez à ne pas laisser le câble à proximité du fil de coupe. Surveillez toujours la position du câble.
- Tenez vos mains et vos pieds à distance des outils de coupe à tout moment, plus

- Ne traversez jamais de chemins ou de routes en gravier lorsque l'outil fonctionne.
- Ne touchez jamais le fil de coupe lorsque l'outil fonctionne.
- Ne posez pas l'outil avant que le fil de coupe ne se soit complètement arrêté.
- Utilisez uniquement le bon type de fil de coupe. N'utilisez jamais de fil de coupe métallique ni de fil de pêche.
- Veillez à ne pas toucher la lame coupe-fil.
- Veillez à ne pas laisser le câble à proximité du fil de coupe. Surveillez toujours la position du câble.
- Tenez vos mains et vos pieds à distance des outils de coupe à tout moment, plus particulièrement lorsque vous faites démarrer le moteur.
- Mise en garde. Les éléments de coupe continuent de tourner une fois le moteur arrêté.
- N'utilisez jamais la machine avec des protections endommagées ou absentes.
- Vérifiez toujours que les orifices de ventilation sont bien débarrassés de tous débris.

Caractéristiques

Cet outil comprend toutes ou certaines des caractéristiques suivantes.

1. Interrupteur marche/arrêt
2. Poignée
3. Dispositif serre-câbles
4. Entrée électrique
5. Poignée secondaire
6. Bouton de réglage
7. Tube
8. Carter de protection
9. Lame coupe-fil
10. Logement de bobine
11. Fil de coupe
12. Guide-bordures

Assemblage

Attention! Avant l'assemblage, assurez-vous que l'outil est éteint et débranché.

Mise en place du carter de protection (fig. A)

- Retirez les vis Allen (13) de la tête (14).
- Placez le carter protecteur (8) sur l'outil selon le schéma.
- Appuyez fermement sur le carter jusqu'à ce qu'il se mette en place avec un clic sec.
- Fixez le carter protecteur avec les vis Allen.
- Serrez les vis Allen avec la clé Allen (15) fournie.

Attention! N'utilisez jamais l'outil si le carter protecteur n'est pas correctement installé.

Déroulement du fil de coupe.

Durant le travail, le fil de coupe est caché par le boîtier moteur.

- Enlevez le ruban qui retient le fil de coupe (11) à la protection de la bobine (10).

Branchement de l'outil au secteur

- Branchez la prise femelle d'un fil de rallonge adapté à l'entrée d'alimentation électrique (4)
- Enroulez le câble autour du bloque-câble (3).
- Branchez la prise mâle du câble au secteur.

Attention! Le câble de rallonge doit être adapté pour le travail en extérieur.

Utilisation

Attention! Laissez l'outil fonctionner à sa propre vitesse. Ne le surchargez pas.

Réglage de l'outil en mode taille ou coupe (fig. B - D)

L'outil peut être utilisé en mode de taille comme indiqué à la fig. B ou en mode de coupe pour tailler de l'herbe en surplomb dans les coins de pelouse et les parterres de fleurs comme indiqué à la fig. C.

Mode taille (fig. B & D)

Pour la taille, la tête du coupe bordures doit être dans la position illustrée en fig. B. Si ce n'est pas le cas :

- Appuyez sur le bouton de réglage (6).
- Faites pivoter le tube (7) tout en relâchant le bouton.
- Lorsque la tête est placée dans la position souhaitée, le bouton se bloque.

Remarque : le tube ne tourne que dans un sens.

Mode coupe (fig. C & D)

Pour la coupe, la tête du coupe bordures doit être dans la position illustrée en fig. C. Si ce n'est pas le cas :

- Appuyez sur le bouton de réglage (6).
- Faites pivoter le tube (7) tout en relâchant le bouton.
- Lorsque la tête est placée dans la position souhaitée, le bouton se bloque.

Remarque : le tube ne tourne que dans un sens.

Réglage de la hauteur de l'outil (fig. D).

L'outil est équipé d'un mécanisme télescopique, qui vous permet de le régler à la hauteur la plus confortable pour l'utilisateur. Vous pouvez le régler

à trois hauteurs différentes. Pour régler la hauteur, procédez comme suit :

- Appuyez sur le bouton de réglage (6).
- Tirez doucement le manche (7) hors du carter du moteur (16) à la hauteur voulue, tout en relâchant le bouton.
- Lorsque le manche est en place, le bouton se bloque.

Démarrage et arrêt

- Pour allumer l'outil, appuyez sur l'interrupteur (1)
- Relâchez l'interrupteur pour éteindre l'outil.

Attention! N'essayez jamais de bloquer l'interrupteur en position de marche.

Conseils pour une utilisation optimale

Général

- Pour des résultats de coupe optimaux, ne coupez que de l'herbe sèche.

Taille

- Tenez l'outil comme indiqué sur la fig. B.
- Faites basculer doucement l'interrupteur d'un côté à l'autre.
- Lorsque vous coupez des hautes herbes, travaillez par étapes en commençant par le haut. Procédez par petites coupes.
- Veillez à ne pas approcher l'outil des objets durs et des plantes délicates.
- Si l'outil commence à fonctionner lentement, réduisez la charge.

Coupe

Pour des résultats de coupe optimaux, les bordures doivent être supérieures à 50 mm.

- N'utilisez pas l'outil pour créer des bordures. Pour cette opération, utilisez des cisailles à gazon.
- Guidez l'outil comme indiqué sur la fig. C.
- Pour une coupe plus nette, inclinez légèrement l'outil.

Entretien

Votre outil a été conçu pour fonctionner pendant longtemps avec un minimum d'entretien. Un fonctionnement continu satisfaisant dépend d'un nettoyage régulier et d'un entretien approprié de l'outil.

Attention! Avant d'effectuer tout entretien, éteignez et débranchez l'outil.

- Nettoyez régulièrement les orifices de ventilation de votre outil à l'aide d'une brosse douce ou d'un chiffon sec.
- Nettoyez régulièrement le fil de coupe et la bobine à l'aide d'une brosse douce ou d'un chiffon sec.

- Utilisez régulièrement un grattoir pour enlever toutes les saletés et l'herbe accumulées sous le carter protecteur.

Mise en place d'une nouvelle bobine de fil de coupe (fig. E & F)

Des bobines de fil de coupe de rechange sont disponibles chez votre revendeur Black & Decker (n° cat. A6495).

- Maintenez les languettes (17) enfoncées et retirez le couvercle de la bobine (18) de la protection (10).
- Retirez la bobine vide (19) du support de bobine.
- Enlevez toute trace de saleté ou d'herbe du couvercle de la bobine et du boîtier.
- Prenez la bobine neuve et enfoncez-la sur le bossage du couvercle de la bobine. Faites lentement tourner la bobine jusqu'à ce qu'elle soit bien en place.
- Saisissez l'une des extrémités des fils de coupe et guidez le fil dans l'un des filets (20). Tirez environ 11 cm de fil hors du couvercle de la bobine.
- Détachez l'extrémité de l'autre fil de coupe et faites passer la ligne dans l'autre fillet. Tirez environ 11 cm de fil hors du couvercle de la bobine.
- Alignez les languettes (17) sur le couvercle de la bobine avec les échancrures (21) dans la protection.
- Enfoncez le couvercle sur le support jusqu'à ce qu'il se mette en place avec un clic sec.

Attention! Si les fils de coupe dépassent de la lame de coupe (9), coupez-les afin qu'ils atteignent juste la lame.

Enroulement d'une nouvelle ligne sur une bobine vide (fig. G - I)

Vous pouvez enrouler un nouveau fil de coupe sur une bobine vide. Des bobines de fil de coupe de rechange sont disponibles chez votre revendeur Black & Decker (n° cat. A6171).

- Retirez la bobine vide de l'outil comme expliqué ci-dessus.
- Retirez tout fil de coupe restant de l'outil.
- Enroulez d'abord le nouveau fil sur la partie proéminente de la bobine :
 - Faites entrer 2 cm de fil de coupe dans l'un des trous de la section supérieure de la bobine comme indiqué.
 - Enroulez le fil de coupe sur la bobine dans le sens de la flèche. Veillez à enrouler le fil proprement et en couches successives. Ne l'entrecroisez pas.

- Lorsque le fil de coupe enroulé est encastré (22), coupez-le.
- Laissez temporairement le fil dans les encoches (23) sur un côté de la bobine comme indiqué.
- Répétez l'opération précédente pour le second fil de coupe sur la partie inférieure de la bobine. Laissez le fil dans les encoches restées libres (23).
- Procédez comme expliqué ci-dessus pour installer la bobine dans l'outil. N'oubliez pas de relâcher le fil de coupe des encoches où vous l'avez laissé (23).

Attention! Utilisez uniquement le bon type de fil de coupe de Black & Decker. Vérifiez que le fil de coupe se trouve dans les deux parties de la bobine.

Dépannage

Si votre outil ne semble pas fonctionner correctement, suivez les instructions ci-dessous. Si elles ne vous sont d'aucune aide pour résoudre le problème, contactez votre service de réparation local Black & Decker.

Attention! Avant de commencer, débranchez l'outil.

Si l'outil fonctionne lentement

- Vérifiez que le support de la bobine tourne correctement et librement. Nettoyez-la soigneusement si cela est nécessaire.
- Vérifiez que le fil de coupe ne dépasse pas de plus de 11 cm le boîtier de la bobine. Si c'est le cas, coupez-le pour qu'il atteigne juste la lame coupe-fil.

L'alimentation du fil automatique ne fonctionne pas

- Maintenez les languettes enfoncées et retirez le couvercle du boîtier.
- Enfoncez le fil de coupe jusqu'à ce qu'il dépasse de 11 cm du boîtier. S'il reste peu de fil de coupe sur la bobine, installez une nouvelle bobine de fil de coupe comme expliqué ci-dessus.
- Alignez les languettes sur le couvercle de la bobine avec les échancrures dans la protection.
- Enfoncez le couvercle sur le support jusqu'à ce qu'il se mette en place avec un clic sec.
- Si le fil de coupe dépasse la lame coupe fil, coupez-le afin qu'il atteigne juste la lame.

Si l'alimentation automatique de fil ne fonctionne toujours pas, essayez les suggestions suivantes :

- Nettoyez soigneusement le couvercle de la

bobine et le boîtier.

- Retirez la bobine et vérifiez que la gâchette bouge librement.
- Retirez la bobine et déroulez le fil de coupe, puis enroulez-le à nouveau proprement comme expliqué cidessus. Remettez la bobine en place comme expliqué.

Protection de l'environnement



Collecte séparée. Ce produit ne doit pas être jeté avec les déchets domestiques normaux.

Si vous décidez de remplacer ce produit Black & Decker, ou si vous n'en avez plus l'utilité, ne le jetez pas avec vos déchets domestiques. Rendez-le disponible pour une collecte séparée.



La collecte séparée des produits et emballages usés permet le recyclage des articles afin de les utiliser à nouveau. Le fait d'utiliser à nouveau des produits recyclés permet d'éviter la pollution environnementale et de réduire la demande de matières premières.

Les réglementations locales peuvent permettre la collecte séparée des produits électriques du foyer, dans des déchetteries municipales ou auprès du revendeur vous ayant vendu votre nouveau produit.

Black & Decker fournit un dispositif permettant de collecter et de recycler les produits Black & Decker lorsqu'ils ont atteint la fin de leur cycle de vie. Pour pouvoir profiter de ce service, veuillez retourner votre produit à un réparateur agréé qui se chargera de le collecter pour nous.

Pour connaître l'adresse du réparateur agréé le plus proche de chez vous, contactez le bureau Black & Decker à l'adresse indiquée dans ce manuel. Vous pourrez aussi trouver une liste des réparateurs agréés de Black & Decker et de plus amples détails sur notre service après-vente sur le site Internet à l'adresse suivante:

www.2helpU.com

Caractéristiques techniques

		GL701	GL716	GL720	GL741
Tension	V_{AC}	230	230	230	230
Puissance absorbée	W	550	580	600	700
Vitesse à vide	min^{-1}	6.500	6.500	6.500	6.500
Poids	kg	3,2	3,2	3,2	3,2

Déclaration de conformité CE

GL701/GL716/GL720/GL741

Black & Decker déclare que ces produits sont conformes à : 98/37/CEE, 89/336/CEE, 73/23/CEE, EN 60335, EN 55014, EN 61000, 2000/14/CE, Annexe VIII, Tondeuse à gazon, L ≤ 50 No. 0344, KEMA Quality B.V., Utrechtseweg 310, 6802 ED Arnhem, The Netherlands

Niveau de pression acoustique, mesuré suivant la norme 2002/14/CEE :

L_{pA} (pression sonore) 81 dB(A),
 L_{WA} (puissance acoustique) 95 dB(A),
 L_{WA} (garanti) 96 dB(A)

Niveau de vibration main/bras selon la norme EN 786: < 2,5 m/s²



Kevin Hewitt
 Directeur Ingénierie Client
 Spennymoor, County Durham DL16 6JG,
 Royaume Uni
 1-11-2005

Demande de brevet UK n° 059745.6
 Dessin pour demande de brevet
 UE n° 340385-0001 & 339544-0001

Garantie

Black & Decker est confiant dans la qualité de ses produits et vous offre une garantie très étendue. Ce certificat de garantie est un document supplémentaire et ne peut en aucun cas se substituer à vos droits légaux. La garantie est valable sur tout le territoire des Etats Membres de l'Union Européenne et de la Zone de Libre Echange Européenne.

Si un produit Black & Decker s'avère défectueux en raison de matériaux en mauvaises conditions, d'une erreur humaine, ou d'un manque de conformité dans les 24 mois suivant la date d'achat, Black & Decker garantit le remplacement des pièces défectueuses, la réparation des produits usés ou cassés ou remplace ces produits à la convenance du client, sauf dans les circonstances suivantes :

- Le produit a été utilisé dans un but commercial, professionnel, ou a été loué.
- Le produit a été mal utilisé ou avec négligence.
- Le produit a subi des dommages à cause d'objets étrangers, de substances ou à cause d'accidents.
- Des réparations ont été tentées par des techniciens ne faisant pas partie du service technique de Black & Decker.

Pour avoir recours à la garantie, il est nécessaire de fournir une preuve d'achat au vendeur ou à un réparateur agréé. Pour connaître l'adresse du réparateur agréé le plus proche de chez vous, contactez le bureau Black & Decker à l'adresse indiquée dans ce manuel. Vous pourrez aussi trouver une liste des réparateurs agréés de Black & Decker et de plus amples détails sur notre service après-vente sur le site Internet à l'adresse suivante: www.2helpU.com

Visitez notre site Web www.blackanddecker.fr pour enregistrer votre nouveau produit Black & Decker et être informé des nouveaux produits et des offres spéciales. Pour plus d'informations concernant la marque Black & Decker et notre gamme de produits, consultez notre site www.blackanddecker.fr

Použití

Vaše strunová sekačka Black & Decker GL701/GL716/GL720/GL741 je určena k sekání a úpravě trávníku a k sečení trávy v nedostupných a stísněných prostorech. Toto nářadí je určeno pouze pro spotřebitelské použití.

Bezpečnostní pokyny

- **Varování!** Při použití elektrického nářadí napájeného z elektrické sítě musí být pečlivě dodržovány základní bezpečnostní pokyny včetně pokynů uvedených v tomto návodu, abyste snížili riziko vzniku požáru, úrazu elektrickým proudem, poranění osob nebo materiálních škod.
- Před použitím tohoto výrobku si řádně prostudujte tento návod.
- Tento návod uschovejte pro případné další použití.
- Před prováděním seřízení, opravy nebo údržby vždy odpojte napájecí kabel od sítě.

Udržujte pracovní prostor v čistotě

Nepořádek na pracovišti a přeplněný pracovní prostor mohou vést ke vzniku úrazu.

Berte v úvahu pracovní prostředí

Nevystavujte nářadí dešti. Nepracujte s nářadím v podmínkách s vysokou vlhkostí. Zajistěte si kvalitní osvětlení pracovní plochy. Nepoužívejte nářadí tam, kde je riziko vzniku exploze, tj. v blízkosti hořlavých kapalin nebo plynů.

Chraňte nářadí před dětmi

Nedovolte dětem, ostatním osobám nebo zvířatům, aby se dostaly do blízkosti pracovního prostoru nebo se dotýkaly nářadí a přívodních kabelů.

Vhodné se oblekejte

Nenoste volné oblečení nebo šperky, mohou být zachyceny pohyblivými se částmi. Jestliže pracujete venku, používejte pokud možno gumové rukavice a neklouzavou obuv. V případě, že máte dlouhé vlasy, používejte odpovídající prostředek, kterým vlasy sepnete.

Prvky osobní ochrany

Vždy používejte ochranné brýle. Jestliže se při práci s nářadím praší nebo odlétávají drobné částičky materiálu, používejte respirátor proti prachu nebo ochranný štít. Používejte ochranu sluchu.

Ochrana před úrazem způsobeným elektrickým proudem

Vyvarujte se tělesného kontaktu s uzemněnými předměty (např. potrubí, radiátory, elektrické sporáky, chladničky, atd.). Elektrická bezpečnost může být

dále zvýšena použitím vysoce citlivého zařízení (30 mA / 30 mS) pro zbytkový proud (RCD).

Nepřetěžujte se

Při práci vždy udržujte vhodný a pevný postoj.

Buďte stále pozorní

Stále sledujte, co děláte. Pracujte s rozvahou.

Neobsluhujte nářadí, jste-li unaveni.

Upevněte řádně obrobek.

K upnutí obrobku používejte svorky nebo svěrák.

Je to bezpečnější a umožňuje to obsluhu nářadí oběma rukama.

Připojte zařízení pro odsávání prachu

Pokud je zařízení vybaveno adaptérem pro připojení zařízení k zachytávání prachu, zajistěte jeho správné připojení a řádnou funkci.

Odstraňte z nářadí seřizovací a montážní klíče

Před spuštěním nářadí se vždy ujistěte, zda nejsou v jeho blízkosti klíče nebo seřizovací přípravky.

Prodlužovací kabely

Před použitím tyto kabely prohlédněte a pokud jsou poškozené, vyměňte je. Při práci s nářadím venku používejte vždy prodlužovací kabely určené pro venkovní použití. Můžete používat prodlužovací kabely Black & Decker až do délky 30 m, aniž by došlo ke ztrátě výkonu.

Používejte pouze vhodné nářadí

V tomto návodu je popsáno správné použití nářadí. Nepřetěžujte malá nářadí nebo přídavná zařízení při práci, která je určena pro výkonnější nářadí. Nářadí bude pracovat lépe a bezpečněji, jestliže bude používáno ve výkonnostním rozsahu, pro který bylo určeno. Na nářadí přilíhí netlačte.

Nářadí nepoužívejte k účelům, pro které není konstruováno, například nepoužívejte okružní pilu k řezání větví stromů nebo kmenů.

Varování! Použití jiného příslušenství nebo přídavného zařízení a provádění jiných pracovních operací, než je doporučeno tímto návodem, může způsobit poranění obsluhy.

Kontrolujte stav nářadí

Před každým použitím pečlivě zkontrolujte, zda nedošlo k poškození nářadí nebo napájecího kabelu. Zkontrolujte vychýlení a uložení pohyblivých se částí, opotřebení jednotlivých částí, poškození ochranných krytů a spínačů a další prvky, které mohou ovlivnit správný chod nářadí. Zajistěte, aby byl chod nářadí zcela v pořádku a aby nářadí správně plnilo funkci, ke které je určeno. Jestliže je nářadí nebo jeho jakákoliv část poškozena, nepoužívejte jej. Nepracuje-li správně hlavní spínač, nářadí nepoužívejte. Poškozené a zničené díly nechtejte opravit nebo vyměnit v autorizovaném servisním středisku. Nikdy se nepokoušejte provádět jakékoliv opravy sami.

Odpojte napájecí kabel

Není-li nářadí používáno, před výměnou jeho částí, příslušenství nebo doplňků a před prováděním údržby vždy odpojte napájecí kabel.

Zabraňte nechtěnému spuštění nářadí

Nepřenášejte nářadí s prstem na hlavním vypínači. Před připojením napájecího kabelu k síti se ujistěte, zda je nářadí vypnuto.

Chraňte kabel před poškozením

Nikdy nepřenášejte nářadí uchopením za napájecí přívodní kabel a při vytažování ze zásuvky za tento kabel netahejte. Chraňte kabel před vysokými teplotami, oleji a ostrými hranami.

Uskladnění nepoužívaného nářadí

Pokud nářadí nepoužíváte, mělo by být uskladněno na suchém místě a uzamčeno nebo jinak vhodně zabezpečeno mimo dosah dětí.

Údržbu nářadí provádějte pečlivě

Ostří nástrojů udržujte nabroušené a čisté, docílíte tím bezpečnější provoz a vyšší výkonost. Dodržujte všechny pokyny pro provádění údržby a pro výměnu příslušenství. Udržujte všechny rukojeti a ovládací prvky čisté, suché a neznečištěné oleji či jinými mazivami.

Opravy

Toto nářadí vyhovuje platným bezpečnostním předpisům. Opravy by měly být prováděny pouze kvalifikovanými servisními mechaniky s použitím originálních náhradních dílů; v ostatních případech může dojít k nebezpečnému ohrožení uživatele.

Elektrická bezpečnost



Toto nářadí je chráněno dvojitou izolací; z tohoto důvodu není nutná ochrana uzemněním. Vždy zkontrolujte, zda zdroj napětí odpovídá napětí na výkonovém štítku.

- Toto nářadí není určeno pro použití nedospělými nebo nezkušenými osobami bez dozoru. Děti musí být pod dozorem, aby si s nářadím nehrály.
- Poškozený napájecí kabel musí být bezpečně vyměněn výrobcem nebo autorizovaným servisním zástupcem firmy Black & Decker.

Doplňující bezpečnostní pokyny pro strunové sekačky

Na zařízení lze nalézt následující varovné symboly:



Před zahájením obsluhy si řádně prostudujte tento návod.



Při práci se zařízením používejte bezpečnostní nebo ochranné brýle.



Osoby a domácí zvířata udržujte alespoň 6 m z dosahu pracovní plochy sečení.



Zařízení nevystavujte dešti nebo prostředí s vysokou vlhkostí.

- Buďte obeznámeni s obsluhou a správným používáním zařízení.
- Nářadí používejte pouze za dobrého denního světla nebo za dobrého umělého osvětlení.
- Před použitím napájecí kabel řádně prohlédněte, zda není poškozen nebo opotřeben. Pokud se napájecí kabel během používání poškodí, okamžitě jej odpojte od elektrického přívodu. **NEDOTÝKEJTE SE PŘÍVODNÍHO NAPÁJECÍHO KABELU DŘÍVE, NEŽ BUDE ODPOJEN**
- Pokud je přívodní napájecí kabel poškozen nebo opotřeben, strunovou sekačku (vyžinač trávy) nepoužívejte.
- Nazuňte si robustní boty nebo holinky, aby byla vaše chodidla chráněna.
- Nohy si chraňte dlouhými kalhotami.
- Před použitím zařízení zkontrolujte, zda je trasa po které budete séci zbavena klacíků, kamenů, drátů a jakýchkoliv dalších předmětů.
- Zařízení používejte pouze ve svislé poloze, s žací strunou blízko u země. Nikdy nespouštějte zařízení v jakémkoliv jiné poloze.
- Během chodu pohybujte se sekačkou pomalu. Uvědomte si, že je čerstvě nasekaná tráva kluzká a vlhká.
- Nepracujte na příkrých svazích. Na svazích pracujte po vrstevnicích, nikdy ne směrem nahoru a dolů.
- Nikdy se spuštěným zařízením nepřecházejte přes šterkové chodníky nebo cesty.
- Nikdy se nedotýkejte struny, pokud je zařízení v chodu.
- Nepokládejte zařízení na zem, dokud se struna zcela nezastaví.
- Používejte pouze odpovídající typ sekací struny. Nikdy nepoužívejte kovové řezací lanko nebo rybářský vlasec.
- Dejte pozor, abyste se nedotkli odřezávacího nože struny.
- Dávejte pozor, aby napájecí kabel nepřišel do styku s řezací strunou. Stále sledujte, kde se napájecí kabel nachází.
- Ruce i nohy držte z dosahu řezacího ústrojí, obzvláště při spouštění motoru.
- Varování! Řezací ústrojí se otáčí ještě po vypnutí motoru.
- Zařízení neprovozujte s poškozenými ochrannými

kryty, nabo pokud nejsou ochranné kryty nasazeny.

- Zajistěte, aby byly ventilační otvory vždy čisté beze zbytků trávy.

Popis

Toto nářadí je vybaveno některými nebo všemi následujícími prvky.

1. Hlavní spínač (zapnuto/vypnuto)
2. Rukojeť
3. Držák kabelu
4. Napájecí přívod
5. Sekundární madlo
6. Seřizovací tlačítko
7. Trubice
8. Ochranný kryt
9. Odřezávací nůž struny
10. Kryt cívky
11. Řezací struna
12. Vodítko

Kompletace přístroje

Varování! Před montáží se ujistěte, zda je nářadí vypnuto a zda je napájecí kabel odpojen od zásuvky.

Nasazení ochranného krytu (obr. A)

- Vyšroubujte šrouby s hlavou s vnitřním šestihranem (13) z hlavy (14).
- Nasadte kryt (8) na nářadí jako na uvedeném obrázku.
- Kryt řádně přitiskněte na své místo tak, aby došlo k jeho zacvaknutí.
- Připevněte kryt pomocí šroubů s vnitřním šestihranem.
- Přitáhněte všechny šrouby s hlavou s vnitřním šestihranem pomocí dodaného klíče (15).

Varování! Bez řádně uchyceného ochranného krytu se zařízením nepracujte.

Uvolnění řezací struny

Během přepravy je řezací struna k cívce přichycena páskou.

- Odstraňte pásku, kterou je přichycena řezací struna (11) ke krytu cívky (10).

Připojení zařízení k elektrickému přívodu

- Stranu se zásuvkou vhodného prodlužovacího kabelu připojte k přívodu napájení (4).
- Kabel obtočte a vedte skrze držák kabelu (3).
- Síťovou zástrčku zasuňte do síťové zásuvky ve zdi.

Varování! Prodlužovací kabel musí být vhodný pro venkovní použití.

Použití

Varování! Nechejte nářadí pracovat jeho vlastní rychlostí. Zamezte přetěžování nářadí.

Nastavení režimu seřezávání nebo zařezávání krajů (obr. B - D)

Nářadí je možné provozovat v režimu seřezávání, jak je znázorněno na obr. B nebo v režimu zařezávání krajů, k odstranění převisů trávy u okraje trávníků a u květinových záhonů, jak je znázorněno na obr. C.

Režim seřezávání (obr. B & D)

V režimu seřezávání by měla být hlavice v poloze znázorněné na obr. B. Pokud není:

- Stlačte seřizovací tlačítko (6).
- Otáčejte trubici (7), a tlačítko uvolněte.
- Když se hlava dostane na místo, tlačítko zaskočí.

Poznámka: Trubicí je možné otáčet pouze jedním směrem.

Režim zařezávání krajů (obr. C & D)

V režimu zařezávání krajů by měla být hlavice v poloze znázorněné na obr. C. Pokud není:

- Stlačte seřizovací tlačítko (6).
- Otáčejte trubici (7), a tlačítko uvolněte.
- Když se hlava dostane na místo, tlačítko zaskočí.

Poznámka: Trubicí je možné otáčet pouze jedním směrem.

Upravení délky nářadí (obr. D)

Toto nářadí je vybaveno teleskopickým mechanismem, které vám umožňuje podle potřeby si upravit jeho délku. Je možné nastavit tři délky.

Délku upravíte následujícím postupem:

- Stlačte seřizovací tlačítko (6).
- Lehce podle potřeby povytáhněte trubici (7) směrem ven z krytu motoru (15) a tlačítko uvolněte.
- Když se trubice dostane na místo, tlačítko zaskočí.

Zapnutí a vypnutí

- Chcete-li nářadí spustit, stiskněte spouštěcí páčku (1).
- Nářadí vypnete uvolněním stisku spouštěcí páčky.

Varování! Nikdy se nepokoušejte zajistit spouštěcí páčku v poloze zapnuto.

Rady pro optimální použití nářadí

Všeobecné

- Chcete-li dosáhnout optimálních výsledků, sekejte pouze suchou travu.

Seřezávání

- Nářadí uchopte tak, jak je znázorněno na obr. B.
- Lehce pootáčejte sekačkou ze strany na stranu.
- Pokud sečete vysokou trávu, pracujte po částech od shora dolů.
Trávu sekejte po krátkých kouscích.
- Nářadí držte z dosahu tvrdých předmětů a křehkých rostlin.
- Pokud nářadí zpomalí chod, snižte jeho zatížení.

Zařezávání krajů

Optimální výsledky zařezávání budou dosaženy na okrajích hlubších jak 50 mm.

- Nepoužívejte nářadí k vytváření lemů.
K vytváření lemů použijte lemovací rýč.
- Nářadí ved'te tak, jak je znázorněno na obr. C.
- Při sestřihávání těsně u země nářadí lehce skloňte.

Údržba

Vaše nářadí bylo navrženo tak, aby byla zajištěna jeho dlouhá provozní životnost s minimálními nároky na údržbu. Předpokladem jeho dlouhodobé bezproblémové funkce je jeho pravidelné čištění a pravidelná péče.

Varování! Před prováděním jakékoli údržby nářadí vypněte a odpojte napájecí kabel od sítě.

- Pravidelně čistěte větrací drážky na nářadí pomocí měkkého kartáče nebo suchého hadříku.
- Pomocí měkkého kartáče nebo suchého hadříku pravidelně čistěte řezací strunu a cívku.
- Pravidelně pomocí tupé škrabky odstraňujte ze spodní strany krytu zachycenou trávu a nečistoty.

Uchycení nové cívky s řezací strunou (obr. E & F)

Náhradní cívky s řezací strunou dostanete u vašeho dodavatele Black & Decker (kat. č. A6495).

- Přidržte přichytky (16) stlačený a vyjměte z pouzdra (10) uzávěr cívky (17).
- Vyjměte prázdnu cívku (18) z krytu.
- Z uzávěru cívky a pouzdra odstraňte zachycené nečistoty a zbytky trávy.
- Vezměte novou cívku a nasuňte ji na výčnělek uzávěru cívky. Lehce cívkou pootočte, až se usadí.
- Odpojte jeden konec řezací struny a protáhněte jej jedním z oček (19). Struna by měla vyčnívat přibližně 11 cm od uzávěru cívky.
- Odpojte druhý konec řezací struny a protáhněte

jej druhým očekem. Struna by měla vyčnívat přibližně 11 cm od uzávěru cívky.

- Srovnejte přichytky (16) na uzávěru cívky s výřezy na krytu (20).
- Uzávěr vložte zpět do pouzdra až zaklapne bezpečně zpět na své místo.

Varování! Pokud budou řezací struny vyčnívat přes odřezávací nůž (9), uřízněte je tak, aby zasahovaly pouze k ostří odřezávacího nože struny.

Navinutí nové struny na prázdnu cívku (obr. G - I)

Na prázdnu cívku můžete navinout novou řezací strunu. Náhradní balíčky s řezací strunou dostanete u vašeho dodavatele Black & Decker (kat. č. A6171).

- Výše popsaným způsobem vyjměte prázdnu cívku z nářadí.
- Z cívky odmotejte zbytek struny.
- Nejprve naviňte novou strunu na vrchní část cívky:
 - Založte 2 cm řezací struny do jedné ze šterbin v horní části cívky podle obrázku.
 - Řezací strunu naviňte na cívku ve směru vyznačené šipky. Dejte pozor, aby byla struna navinuta na cívku úhledně ve vrstvách. Nepřekřičujte ji.
 - Pokud navíjená struna dosáhne výkrojů (21), odstříhněte ji.
 - Dočasně zaparkujte strunu v zářezech (22) na jedné straně cívky tak, jak je znázorněno na obrázku.
- Opakujte výše popsaný postup pro druhou řezací strunu ve spodní části cívky. Strunu zaparkujte ve volných zářezech (22).
- Navinutou cívku vložte do nářadí výše popsaným způsobem. Nezapomeňte uvolnit řezací strunu z parkovacích zářezů (22).

Varování! Používejte pouze vhodnou řezací strunu Black & Decker. Zajistěte, aby byla řezací struna v obou částech cívky.

Řešení problémů

Pokud vaše nářadí nepracuje správně, postupujte podle kroků uvedených dále. Pokud nebude závada odstraněna, spojte se s našim servisním zástupcem Black & Decker.

Varování! Před pokračováním odpojte nářadí od elektrické sítě.

Chod nářadí je pomalý

- Zkontrolujte, zda se pouzdro cívky volně otáčí. Pokud je potřeba, opatrně jej očistěte.

- Zkontrolujte, zda není řezací struna vytažena z pouzdra cívky více jak 11 cm. Pokud ano, uřízněte ji tak, aby zasahovala jen k ostří odřezávacího nože struny.

Automatický posuv struny nepracuje

- Přidrte přichytky stlačený a vyjměte z pouzdra uzávěr cívky.
- Povytáhněte řezací strunu tak, aby vyčnívala z pouzdra 11 cm. Pokud již není dostačující délka struny k dispozici, vložte výše popsaným způsobem novou cívku se strunou.
- Srovnajte přichytky na uzávěru cívky s výřezy na krytu.
- Uzávěr vložte zpět do pouzdra až zaklapne bezpečně zpět na své místo.
- Pokud řezací struna přesahuje přes nůž, uřízněte ji tak, aby zasahovala jen k ostří odřezávacího nože struny.

Pokud automatický posuv struny stále nepracuje nebo pokud je cívka zablokovaná, zkuste následující:

- Pečlivě očistěte pouzdro a uzávěr cívky.
- Vyjměte cívku a zkontrolujte, zda se páčky mohou volně pohybovat.
- Vyjměte cívku a odviňte řezací strunu a poté ji znovu úhledně naviňte výše popsaným způsobem. Cívku podle návodu vyměňte.

Ochrana životního prostředí



Tříděný odpad. Tento výrobek nesmí být vyhozen do běžného domovního odpadu.

Jakmile zjistíte, že budete chtít provést výměnu nářadí nebo nebudete-li toto nářadí déle používat, nevyhazujte toto nářadí do domovního odpadu. Zajistěte likvidaci tohoto výrobku ve tříděném odpadu.



Tříděný odpad umožňuje recyklaci a opětovné využití použitých výrobků a obalových materiálů. Opětovné použití recyklovaných materiálů pomáhá chránit životní prostředí před znečištěním a snižuje spotřebu surovin.

Při zakoupení nových výrobků Vám prodejny, místní sběrný odpadů nebo recyklační stanice poskytnou informace o správné likvidaci elektroodpadů z domácnosti.

Po ukončení životnosti výrobků Black & Decker poskytuje společnost Black & Decker možnost recyklace těchto výrobků. V rámci této výhodné

služby vraťte vaše nářadí kterékoliv autorizované servisní pobočce Black & Decker, kde bude toto nářadí shromážděno a s ohledem na životní prostředí recyklováno.

Místo vaší nejbližší autorizované servisní pobočky Black & Decker se dozvíte na příslušné adrese uvedené na zadní straně tohoto návodu. Přehled autorizovaných servisních dílen Black & Decker a rovněž další informace můžete nalézt také na internetové adrese: www.2helpU.com

Technické údaje

	GL701	GL716	GL720	GL741
Napájecí napětí V_{AC}	230	230	230	230
Příkon W	550	580	600	700
Otáčky naprázdnomin ⁻¹	6,500	6,500	6,500	6,500
Hmotnost kg	3,2	3,2	3,2	3,2

ES Prohlášení o shodě



GL701/GL716/GL720/GL741

Společnost Black & Decker prohlašuje, že tento výrobek odpovídá následujícím normám: 98/37/EC, 89/336/EEC, 73/23/EEC, EN 60335, EN 55014, EN 61000, 2000/14/EC, Příloha VIII, strunová sekačka, $L \leq 50$ číslo 0344, KEMA Quality B.V., Utrechtseweg 310, 6802 ED Arnhem, Nizozemi

Úroveň akustického tlaku měřená dle normy EN 2002/14/EC:

L_{PA} (akustický tlak) 81 dB(A)
 L_{WA} (akustický výkon) 95 dB(A)
 L_{WA} (zaručený akustický výkon) 96 dB(A)
 Vibrace ruka/paže měřené dle normy EN 786 < 2,5 m/s

Kevin Hewitt

Technický a vývojový ředitel
 Spennymoor, County Durham
 DL16 6JG, Velká Británie
 1-11-2005

Vzor pro UK, číslo 059745.6
 Použité projektové patenty Evropské unie.
 340385-0001 & 339544-0001

Politika služby zákazníkům

Spokojenost zákazníka s výrobkem a servisem je náš nejvyšší cíl.

Kdykoli budete potřebovat radu či pomoc, obraťte se s důvěrou na nejbližší servis Black & Decker, kde Vám vyškolený personál poskytne naše služby na nejvyšší úrovni.

Záruka Black & Decker 2 roky

Blahopřejeme Vám ke koupi tohoto kvalitního výrobku Black & Decker.

Náš závazek ke kvalitě v sobě samozřejmě zahrnuje také naše služby zákazníkům.

Proto nabízíme záruční lhůtu daleko přesahující minimální požadavky vyplývající ze zákona.

Kvalita tohoto přístroje nám umožňuje nabídnout Vám záruční lhůtu po dobu 24 měsíců.

Objeví-li se jakékoliv materiálové nebo výrobní vady v průběhu **24 měsíců** záruční lhůty, garantujeme jejich bezplatné odstranění případně, dle našeho uvážení, bezplatnou výměnu přístroje za následujících podmínek:

- Přístroj bude dopraven (spolu s originálním záručním listem Black & Decker a s dokladem o nákupu) do jednoho z pověřených servisních středisek Black & Decker, která jsou autorizována k provádění záručních oprav.
 - Přístroj byl používán pouze s originálním příslušenstvím či přídatnými zařízeními a příslušenstvím BBW či Piranha, které je výslovně doporučeno jako vhodné k používání spolu s přístroji Black & Decker.
 - Přístroj byl používán a udržován v souladu s návodem k obsluze.
 - Přístroj nevykazuje žádné příčiny poškození způsobené opotřebením.
 - Motor přístroje nebyl přetěžován a nejsou patrné žádné známky poškození vnějšími vlivy.
 - Do přístroje nebylo zasahováno nepovolanou osobou. Osoby povolané

tvoří personál pověřených servisních středisek Black & Decker, která jsou autorizována k provádění záručních oprav.

Navíc servis Black & Decker poskytuje na veškeré provedené opravy a vyměněné náhradní díly další servisní záruční lhůtu 6 měsíců.

Záruka se nevztahuje na spotřební příslušenství (vrtáky, šroubovací nástavce, pilové kotouče, hoblovací nože, brusné kotouče, pilové listy, brusný papír a pod.).

Black & Decker nabízí rozsáhlou síť autorizovaných servisních oprav a sběrných středisek, jejichž seznam naleznete na záručním listu.

Black & Decker

Klásterského 2
143 00 Praha 4 - Modřany

Tel.: 244 402 450
Fax: 241 770 204
recepte@blackanddecker.cz

Právo na případné změny vyhrazeno.

06/2004

Rendeltetésszerű használat

Szívből gratulálunk új Black & Decker GL701/GL716/GL720/GL741 fűszegélyvágójához. Ezt a készüléket fűszegélyek és fűnyíróval nehezen elérhető fűterületek vágására tervezték. A Fűszegélyvágó iparszerű felhasználásra nem alkalmas.

Általános biztonságtechnikai előírások

- **Figyelem!** Elektromos szerszám használatakor mindig tartsa be az alábbi alapvető biztonsági rendszabályokat, így elkerülheti a tűzveszély, az elektromos áramütés, a személyi sérülések és az anyag károsodásának lehetőségét.
- Figyelmesen olvassa el a kezelési útmutatót a gép üzembe helyezése előtt.
- Kérjük, gondosan őrizze meg a kezelési útmutatót, hogy a későbbiekben is bármikor utánanézhessen a géppel kapcsolatos összes információknak.
- Mielőtt bármilyen beállítást változtat a gépen, vagy karbantartási munkába kezd, mindig csatlakoztassa le a készüléket az áramforrásról.

Tartsa rendben a munkahelyét

A zsúfolt, rendetlen munkaterület növeli a balesetveszélyt.

Legyen figyelemmel a környezeti behatásokra

Ne hagyja szabadban a gépet, óvja az esőtől. Ne használja nyirkos, nedves környezetben. Gondoskodjon a munkaterült megfelelő megvilágításáról. Ne használja a készüléket robbanás és tűzveszélyes helyeken, például gyúlékony folyadékok és gázok közelében.

Tartsa távol a gyerekeket

Gondoskodjon arról, hogy gyereket, más személyek vagy állatok ne közelíthessék meg a munkaterületet, ne érinthessék meg a készüléket és a hálózati kábelt.

Viseljen megfelelő munkaruházatot

Ne hordjon ékszert vagy laza ruházatot munkavégzés közben, mert ezek beakadhatnak a mozgó részekbe. Szabadban viseljen gumikesztyűt és csúszásmentes lábbelit. Hosszú haj esetében használjon sapkát, hogy ne zavarja a munkában.

Személy védelem

Mindig viseljen védőszemüveget. Használjon arc vagy pormaszkot, ha az elvégzendő munka nagy porral, vagy lepattanó részekkel járhat. Ügyeljen a hallásvédelemre is.

Védekezzen áramütés ellen

Kerülje az érintkezést fémes részekkel (például csövek, radiátorok, tűzhelyek és hűtőszekrények).

Viseljen gumitalpú cipőt. Extrém munkakörülmények között (pl.: magas páratartalom, fémpor keletkezése esetén) az elektromos biztonság növelhető egy leválasztó transzformátor vagy hibaáram-védelmi kapcsoló (30 mA / 30 mS) előkapcsolásán keresztül **Álljon biztonságosan**. Kerülje a rendellenes testtartást, és egyensúlyát soha ne veszítse el munkavégzés közben.

Figyeljen munkájára

Figyeljen mindig arra, amit tesz. Használja az összes érzékszervét. Ne használja a készüléket, ha fáradt.

Rögzítse a munkadarabot

Használjon satut vagy más leszorító eszközt a munkadarab rögzítésére. Így biztonságossá válik a munkavégzés, és mindkét keze szabadon marad a gép irányítására.

Használjon porelszívó berendezést

Ha a készüléken megtalálható a porelszívási lehetőség, vagy a porzsák, úgy ügyeljen arra, hogy megfelelően csatlakoztassa és használja ezeket munka közben.

Ne hagyjon szerelőkulcsot a gépben

A munka megkezdése előtt mindig ellenőrizze, hogy a szerelőszerszámot (kulcsot) eltávolította-e a készülékből.

Hosszabbító kábelek

Használat előtt ellenőrizze a hosszabbító kábelt és cserélje le, ha a sérült. A szabadban kizárólag csak az arra jóváhagyott és jelöléssel ellátott hosszabbító kábelt szabad használni. Teljesítmény csökkenés nélkül max. 30m hosszú, kéteres Black & Decker hosszabbító kábelt használhat.

Mindig a megfelelő szerszámot használja

A készülék rendeltetésszerű használatáról korábban már említést tettünk. Ne erőltesse túl a kisebb teljesítményű készülékeket, vagy tartozékokat, nagyobb teljesítményt igénylő munkánál. A termékkel jobban és biztonságosabban elvégezheti a munkát, hogy ha a teljesítmény kategóriájának megfelelően használja. Ne erőltesse a szerszámot.

Figyelem! Az Ön biztonsága érdekében csak olyan tartozékokat, illetve kiegészítő berendezést használjon, melyet a kezelési utasítás ajánl.

Ellenőrizze a készülék állapotát

Használat előtt mindig ellenőrizze a készüléket és a hálózati kábelt. Vizsgálja meg, hogy a mozgó részek megfelelően működnek, nincsenek akadályoztatva. Ellenőrizze a részegységeket, olajozásukat, esetleg előforduló töréseit, a kézvédő vagy a kapcsoló sérüléseit és minden olyan rendellenességet, ami befolyásolhatja a készülék használatát. Bizonyosodjon meg róla, hogy a készülék megfelelően működik, és a kategóriájával egyenértékű teljesítményt biztosít. Ne használja a gépet, ha valamelyik alkatrésze sérült. Ne használja a gépet, ha a kapcsoló nem működőképes.

A sérült vagy hibás alkatrészek javítását vagy cseréjét csak a kijelölt szakszervezetek végezhetik. Soha ne kísérelje meg a javítást Önállóan, a sérült részeket és védőberendezéseket előírás szerint kell javíttatni vagy cseréltetni.

Áramtalanítsa a készüléket

Mindig áramtalanítsa a készüléket, ha nem használja azt; mielőtt változtatna a gép bármely beállításán; tartozékot vagy feltétet cserél; valamint a termék átvizsgálása előtt.

Ne hagyja felügyelet nélkül bekapcsolva a gépet

Ne szállítsa a feszültség alatt lévő gépet ujjával az üzemi kapcsolón. Győződjön meg róla, hogy az üzemi kapcsoló kikapcsolt állapotban van, mielőtt az áramforrásra csatlakoztatja.

Bánjon gondosan a kábellel

Soha ne a kábelnél fogva vigye a gépet, és kérjük, ne a kábelnél fogva húzza ki a villásdugót a konnektorból. Tartsa távol a kábelt éles szélektől, védje olajtól és hőtől. Minden használat előtt ellenőrizze a kábel állapotát, és ne indítsa be a gépet, ha a kábel sérült.

Ügyeljen a készülék megfelelő tárolására

Ha nem használja a készüléket, tartsa száraz, gyermekek elől gondosan elzárt helyen.

A készülék ápolása

A vágásra alkalmas gépeknél a vágóéleket tartsa élesen és tisztán a jobb és biztonságosabb munkavégzés érdekében. Kövesse a karbantartásra és tartozékcsereire vonatkozó előírásokat. Tartsa a fogantyúkat és csatlakozásokat szárazon, tisztán és olajtól, zsírtól mentesen.

Javítás

Ez a kéziszerszám megfelel a vonatkozó biztonsági előírásoknak. Javítást csak szakszerviz végezhet, és csak eredeti gyári alkatrészeket szabad felhasználni. A szakszerűtlen javítás súlyos baleset előidézője lehet.

Elektromos biztonság



Ez a készülék kettősszigetelésű, ezért a földelés nem szükséges. Mindig ellenőrizze, hogy a hálózati feszültség megfelel-e a gép adattábláján feltüntetettnek!

- A készülék használatát fiataloknak, illetve képzetlen/tapasztalatlan felhasználók részére csak felügyelet mellett engedélyezze.
- Ha a hálózati kábel sérült, azonnal cseréltesse le egy Black & Decker szakszervizben.

Kiegészítő biztonságtechnikai előírások fűszegélyvágókhöz

A következő figyelmeztető szimbólumok találhatóak meg a készüléken:



Figyelmesen olvassa el a kezelési útmutatót a gép üzembe helyezése előtt.



Viseljen védőszemüveget a készülék használatakor.



A működő géptől tartsa legalább 6 méter távolságban az embereket, különösen a gyerekeket, illetve a háziállatokat.



Ne hagyja szabadban a gépet, óvja az esőtől. Ne használja nyirkos, nedves környezetben.

- A munka megkezdése előtt ismerkedjen meg a kezelőszervekkel és a készülék megfelelő működtetésével.
- A géppel csak nappali fényben, vagy nagyon jó megvilágításban dolgozzon.
- Használat előtt ellenőrizze a főáramforrást és a hálózati kábelt sérülések és anyagkifáradás tekintetében. Ha a hálózati kábel a munkavégzés közben megsérül, azonnal kapcsolja ki a készüléket és válassza le a hálózati áramforrásról. **NE ÉRJEN A HOSSZABBÍTÓ KÁBELHEZ ADDIG, AMÍG AZ A HÁLÓZATI ÁRAMFORRÁSRA CSATLAKOZIK.**
- Soha ne használja a készüléket, ha a hálózati kábel sérült vagy elhasználtodott.
- Viseljen mindig zárt cipőt, vagy csizmát a lába megvédéséhez. Ne dolgozzon a géppel mezítláb, vagy szandálban.
- Viseljen hosszú nadrágot a lábai védelmére.
- Mielőtt elkezdi a munkát, győződjön meg arról, hogy a munkaterületen ne legyenek idegen tárgyak, mint például faágak, kövek, drótok.
- Használat közben a készüléket mindig a kezelési útmutatóban leírtak szerinti helyzetben tartsa, a vágószállal a talaj közelében (lásd az ábrán). Ne kapcsolja be a gépet bármilyen más pozícióban.
- Lassan mozogjon a készülék működtetése közben. Legyen tudatában, hogy a frissen vágott fű nedves és csúszós.
- Ne dolgozzon túl meredek lejtőn. Ügyeljen mindig arra, hogy biztosan álljon - főleg lejtőn - és ne veszítse el egyensúlyát. Lejtőkön mindig a lejtőre merőleges irányban haladjon, soha ne párhuzamosan le és fel. Megkülönböztetett figyelemmel váltson irányt, ha lejtőn dolgozik.
- Soha ne keresztezzen kavicsos utat, miközben a készülék működik. Kerti utak, és szélek mentén vegye figyelembe, hogy a vágószál kavicsokat vagy rögöket kaphat fel és hajthat ki, ilyenkor a sérülésveszélye nagyobb.

- Ne érjen a működő készülék vágószálahoz.
- Ne tegye le a készüléket addig, amíg a vágószál teljesen meg nem áll.
- Csak a megfelelő típusú Black & Decker vágószálat használja. Soha ne használjon fém vágószálat vagy horgász damilt.
- Ne érjen a szálvágó élhez.
- Használat közben a hálózati kábelt tartsa távol a vágószáltól. Mindig ügyeljen a kábel helyzetére.
- Mindig tartsa távol kezeit és lábait a vágószáltól, különösen a motor beindításakor. Csak abban az esetben kapcsolja be a gépet, ha meggyőződött róla, hogy kezei és lábai nem érnek a vágószál hatósugarába.
- Figyelem! A vágórészek a motor leállítása után néhány pillanatig még foroghatnak.
- Használat előtt mindig bizonyosodjon meg arról, hogy valamennyi védőberendezés rendeltetésszerűen legyen felszerelve.
- Ellenőrizze a részegységeket, olajozásukat, esetleg előforduló töréseit, a kézvédő vagy a kapcsoló sérüléseit és minden olyan rendellenességet, ami befolyásolhatja a készülék működését.
- Soha ne kezdjen olyan készülékkel dolgozni, amely nem teljes, vagy illetéktelen változtatásokat hajtottak végre rajta.
- Ne használja a gépet, ha a kapcsoló nem működőképes.
- Mindig biztosítsa a szellőző nyílásokat, tisztítsa ezeket folyamatosan a keletkező hulladéktól, fűmaradványtól.

A készülék használata

- Ellenőrizze, hogy a készülék ki van kapcsolva, mielőtt rácsatlakoztatja a hálózati áramforrásra.
- Figyeljen mindig arra, amit tesz. Használja az összes érzékszervét.
- Ne használja a készüléket, ha fáradt.
- Ha a készülék elkezd rendellenesen vibrálni, azonnal kapcsolja ki és csatlakoztassa le az áramforrásról. Hagyja a forgórészeket megállni, és utána vizsgálja meg a sérült vagy meglazult alkatrészeket.
- Soha ne a kábelnél fogva vigye a gépet, és kérjük, ne a kábelnél fogva húzza ki a villásdugót a konnektorból. Tartsa távol a kábelt éles szélektől, védje olajtól és hőtől.

Leírás

Az Ön által vásárolt készülék a következő jellemzőkkel rendelkezik:

1. Be/ki üzemi kapcsoló
2. Fogantyú
3. Kábeltehermentesítő
4. Hálózati csatlakozó
5. Pótfogantyú
6. Beállító gomb
7. Nyél
8. Védőburkolat
9. Szálvágó él
10. Orsóház
11. Vágószál
12. Szélvezető

A készülék összeszerelése

Figyelem! Mielőtt elkezd a gép összeszerelését, győződjön meg arról, hogy a készülék ki van kapcsolva, és a hálózati csatlakozó le van választva az áramforrásról.

A védőburkolat felszerelése (A ábra)

- Távolítsa el a csavarokat (13) a vágófejből (14).
- Helyezze a védőburkolatot (8) a készülékre az ábra szerint.
- Határozottan nyomja a védőburkolatot addig, amíg az be nem reteszelődik.
- Rögzítse a védőburkolatot a csavarokkal.

Figyelem! Soha ne használja a készüléket addig, amíg a védőburkolat nincs megfelelően felszerelve.

A vágószál kioldása

A csomagolásban a vágószál az orsóházra van ragasztva.

- Távolítsa el a ragasztót, amely a vágószálat (11) az orsóházhoz (10) rögzíti.

A készülék áramforrásra való csatlakoztatása

- Csatlakoztassa az erre alkalmas hosszabbító kábelt a készülék dugaszoló aljzatához (4).
- Hurkolja át a kábelt a kábeltehermentesítőn (3).
- Csatlakoztassa a hosszabbító kábelt a konnektorból.

A vezeték tehermentesítéséhez ellenőrizze, hogy a kábeltehermentesítőre valóban rá van hurkolva a kábel, mielőtt csatlakozna az áramforráshoz.

Figyelem! Csak szabadtéri használatra alkalmas hosszabbító kábelt használjon! Amennyiben kábeldobon lévő hosszabbító kábelt használ, úgy azt a munka megkezdése előtt mindig teljesen tekerje le.

A készülék használata

Figyelem! Hagyja a készüléket a saját tempójában dolgozni. Ne a gép erőltetésével gyorsítsa a munkatempót. Ne terhelje túl a gépet.

A készülék beállítása fűszegély vagy szélező üzemben történő vágásra (B - D ábra)

A gép használható fűszegélyvágó üzemmódban (lásd B ábra), vagy szélező üzemmódban a pázsit szélein esetleg virággyások mentén a túlságosan kilógó fűszálak levágására (lásd C ábra).

Fűszegélyvágó üzemmód (B és D ábra)

A fűszegélyek vágásához a készülék fejét a B ábrán látható pozícióba kell hozni. Ha ez nem így van, akkor tegye az alábbiakat:

- Nyomja meg a beállító gombot (6).
- Fordítsa el a nyelet (7) s eközben eressze el a gombot.
- Amikor a fej a megfelelő pozícióba kerül, a gomb bereteszelődik a helyére.

Megjegyzés: A nyél csak egy irányban fordítható el.

Szélező üzemmód (C és D ábra)

A szélek vágásához a készülék fejét a C ábrán látható pozícióba kell hozni. Ha ez nem így van, akkor tegye az alábbiakat:

- Nyomja meg a beállító gombot (6).
- Fordítsa el a nyelet (7) s eközben eressze el a gombot.
- Amikor a fej a megfelelő pozícióba kerül, a gomb bereteszelődik a helyére.

Megjegyzés: A nyél csak egy irányban fordítható el.

A készülék magasságállítás (D ábra)

Ez a fűszegélyvágó teleszkópos nyéllal rendelkezik, így beállíthatja az Önnek leginkább kényelmes munkamagasságot. Háromfokozatú magasságállítási lehetőséggel rendelkezik a gép. A megfelelő magasság beállításához az alábbi lépéseket végezze el:

- Nyomja meg a beállító gombot (6).
- Óvatosan húzza ki - vagy tolja be - a nyelet (7) a motorházból (15) a kívánt magasságba, miközben eressze el a gombot.
- Amikor a nyél a megfelelő pozícióba kerül, a gomb bereteszelődik a helyére.

A készülék be- és kikapcsolása

- A gép bekapcsolásához húzza meg a kapcsolókart (1).
- A gép kikapcsolásához engedje el a kapcsolókart (1).

Figyelem! Soha ne próbálja meg a kapcsolókar rögzítését működő készüléknél.

Javaslatok az optimális munkavégzéshez

Általánosságban

- Az optimális vágási eredmény eléréséhez csak száraz fűvet vágjon.

Fűszegélynyírás

- Tartsa a készüléket az B ábrán látható pozícióban.
- Lengesse könnyedén a fűszegélyvágót ide-oda, egyik oldalról a másikra.
- Ha hosszú fűvet vág, azt fokozatosan, kis lépésekben tegye a tetejétől kiindulva.
- Tartsa távol a készüléket keményebb tárgyaktól és érzékeny növényektől.
- Ha a készülék motorja elkezd lassabban pörögni, csökkentse a terhelést.

Szélezés

Optimális vágási eredmény eléréséhez a fűszegély szélének legalább 50mm mélynek kell lennie.

- Ne használja a készüléket fűszegély szélek létrehozására. Új fűszegély szél kiképzésére használjon élezőaszt.
- A C ábrán látható módon vezesse a gépet.
- Rövidebb vágási eredmény eléréséhez kissé döntse meg a készüléket.

Karbantartás

Az Ön készüléke minimális karbantartás mellett hosszú távú felhasználásra lett tervezve.

A készülék folyamatos megfelelő működése nagymértékben függ az alapos ápolástól és a rendszeres tisztítástól.

Figyelem! Mielőtt bármilyen karbantartási munkálatba kezdene, győződjön meg arról, hogy a készülék ki van kapcsolva, és a hálózati csatlakozó le van választva az áramforrásról.

- Rendszeresen tisztítsa meg a készülék levegőréseit egy puha kefével vagy száraz ronggyal.
- Rendszeresen tisztítsa meg a vágószálat és az orsót egy puha kefével vagy száraz ronggyal.
- Rendszeresen távolítsa el a védőburkolat alá bekerült fűdarabokat és egyéb szennyeződések egy tompa kaparófával.

Új orsó felszerelése (E és F ábra)

A pótorsó damillal együtt (típuszám: A6495) megvásárolható a Black & Decker szaktereskedőknél.

- Válassza le a készüléket a hálózati áramforrásról.
- Tartsa a füleket (17) benyomva és távolítsa el

az orsófedelet (18) az orsópárról (10).

- Vegye ki az üres orsót (19) az orsópárból.
- Távolítsa el a fű- és egyéb maradványokat az orsófedélből és az orsópárból.
- Nyomja az új orsót az orsófedél csapjaira. Forgassa meg egy kissé az orsót, amíg a helyére nem kerül.
- Az egyik vágószál véget oldja ki és vezesse át a megfelelő fűzőszemen (20). A vágószálnak körülbelül 11 centiméterre kell kilógnia az orsófedélből.
- Oldja ki a másik vágószál véget is és vezesse át a másik fűzőszemen. A vágószálnak körülbelül 11 centiméterre kell kilógnia az orsófedélből.
- Igazítsa az orsófedél füleit (17) az orsópárra illesztékeibe (21).
- Nyomja az orsófedelet az orsópárra addig, amíg pontosan be nem illeszkedik a helyére.

Figyelem! Ha a vágószál túlnyúlik a vágó élén (9), vágja akkorára, hogy éppen csak érintse az élt.

Új vágószál felcsévélése az üres orsóra (G - I ábra)

Az orsóra feltekerhet pótvágószálat is. A pótvágószál megvásárolható a Black & Decker szakkereskedőknél. (típuszám: A6170 (25m) és A6171 (40m)).

- Távolítsa el az üres orsót a készülékről a fent leírtak szerint.
- Távolítsa el az orsóról a maradványszálakat.
- Az új vágószálat először az orsó felső részére csévélje fel:
 - Vezessen 2 cm hosszú szálat az orsó felső részének vátatába, ahogy az ábrán látható.
 - Csévélje fel a vágószálat az orsóra a nyíl irányába. Ügyeljen arra, hogy a szálat egymás mellé, rétegesen tekercselje fel. Ne keresztezze a szálat.
- Ha a feltekerített szálat elérli a mélyedéseket vágja el.
- Átmenetileg dugja a szálat az orsó egyik oldalának vátatába (23), ahogy az ábrán látható.
- Ismétlje meg a már leírt módon a másik vágószállal ezt a műveletet az orsó alsó oldalán is. A szálvéget dugja a másik vátatba (23).
- A már korábban leírtak szerint helyezze az orsót a készülékre. Ne feledje a szálat a vátatokból (23) kioldani.

Figyelem! Csak a megfelelő típusú Black & Decker vágószálat használja. Ügyeljen arra, hogy az orsó mindkét részén legyen

vágószál.

Hibaelhárítás

Ha az Ön készüléke nem rendeltetésszerűen működik, kövesse az alábbi instrukciókat. Ha a hiba nem hárrítható el az alábbi módszerekkel, kérjük, forduljon a legközelebbi Black & Decker szervizhez.

Figyelem! Mielőtt bármilyen hibaelhárítási munkálatba kezdene, győződjön meg arról, hogy a készülék ki van kapcsolva, és a hálózati csatlakozó le van választva az áramforrásról.

A készülék fordulatszám lassul

- Ellenőrizze, hogy az orsópárra szabadon elforgatható-e. Szükség esetén óvatosan tisztítsa meg.
- Ellenőrizze, hogy az orsópárból ne lógjon ki a vágószál 11 cm-nél hosszabban. Ha mégis így van, vágja akkorára, hogy éppen csak érintse a vágó élt.

Az automatikus száladagoló nem működik

- Tartsa a füleket benyomva és távolítsa el az orsófedelet az orsópárról.
- Húzza ki a vágószálat, amíg az 11 cm-re kinyúlik az orsópárból. Ha nincs elegendő vágószál az orsón, helyezzen fel egy új orsót, vagy csévéljen újabb vágószálat az üres orsóra a fent leírtak szerint.
- Igazítsa az orsófedél füleit az orsópárra illesztékeibe.
- Nyomja az orsófedelet az orsópárra addig, amíg pontosan be nem illeszkedik a helyére.
- Ha a vágószál túlnyúlik a vágó élén, vágja akkorára, hogy éppen csak érintse az élt.

Ha az automatikus száladagoló még ezek után sem működik, vagy az orsón lévő vágószál összetekeredett, próbálkozzon a következőkkel:

- Óvatosan tisztítsa meg az orsófedelet és az orsópárra.
- Távolítsa el az orsót és ellenőrizze, hogy a kapcsolókar szabadon mozgatható-e.
- Távolítsa el az orsót és csévélje fel újra a vágószálat, pontosan úgy, ahogy a fentiekben leírtuk. Helyezze vissza az orsót az előzőek szerint.

Környezetvédelem

Elkülönített begyűjtés. Ezt a készüléket el kell különíteni a normál háztartási hulladéktól.

Egy napon, mikor készüléke eléri technikai élettartamának végét, vagy nincs további szükségére, gondoljon a környezetvédelemre. A terméket a normál háztartási hulladéktól elkülönítve kell megsemmisíteni.



Az elhasználdott termékek és csomagolások elkülönített begyűjtése lehetővé teszi, ezek újrahasznosítását. Újrahasznosított vagy újra feldolgozott anyagok segítségével a környezetszennyezés, illetve a nyersanyagok iránti igény nagymértékben csökkenthető.

A helyi előírások rendelkezhetnek az elektromos készülékek háztartási hulladéktól elkülönített begyűjtéséről, helyhatósági hulladéklerakó helyeken vagy a kereskedők által új termék megvásárlásakor.



Black & Decker termékeire az élettartamuk lejártával visszavételi lehetőséget kínál. Ez a szolgáltatás ingyenes. Ha igénybe veszi ezt a szolgáltatást, kérjük, juttassa el készülékét a legközelebbi Black & Decker szervizbe, melyekről a Magyarországi Képviseletnél érdeklődhet.

A szervizzel kapcsolatosan a következő Internet oldalon is felvilágosítást kaphat:
www.2helpU.com.

Műszaki adatok

		GL701	GL716	GL720	GL741
Feszültség	V_{AC}	230	230	230	230
Felvett teljesítmény	W	550	580	600	700
Vágásszélesség	cm	30	30	30	33
Üresjárat					
fordulatszám	min^{-1}	6.500	6.500	6.500	6.500
Súly	kg	3.2	3.2	3.2	3.2

EC-TANÚSÍTÁS



GL701/GL716/GL720/GL741

A Black & Decker tanúsítja, hogy ezek a készülékek megfelelnek a következő irányelveknek és szabványoknak:
98/37/EC, 89/336/EEC, 73/23/EEC, EN 60335, EN 55014, EN 61000 2000/14/EC, VIII függelék, Fűszegélyvágó, L < 50cm, No. 0344
KEMA Quality B.V., Utrechtseweg 310, 6802 ED Arnhem, Hollandia

Hangnyomásszint értéke 2002/14/EC szerint mérve:

Hangnyomásszint L_{PA} 81 dB(A)
Hangteljesítmény szint L_{WA} 96 dB(A)
Súlyozott effektív rezgésyorsulás
EN 786 szerint mérve < 2,5 m/s²

Kevin Hewitt
Director of Consumer
Engineering
Spennymoor, County Durham
DL16 6JG, United Kingdom
1-11-2005

Garancia határozat

A következő meghibásodások esetén a garancia kizárt:

- Elhasználdott, illetve károsodott kések, és a hálózati kábel. Azok az alkatrészek, amelyek a normál használat során elkopnak.
- Azok a meghibásodások, amelyek a szakszerűtlen kezelésből eredtek.
- Azok a hibák, amelyek a kezelési útmutató be nem tartásából eredtek.
- Erőszakos külső behatások, és rongálásból eredő meghibásodások.

Kizárólag csak eredeti Black & Decker tartozékok és alkatrészek alkalmazhatók. Ellenkező esetben teljesítménycsökkenés léphet fel, és a gép elveszti a garanciát. Ha garanciális igénye van, feltétlen mellékelje a jótállási jegyet és a vásárlási okmányokat (számlát).

BLACK&DECKER

GARANCIÁLIS FELTÉTELEK

Gratulálunk Önnek ennek az értékes Black&Decker készülék megvásárlásához.

Azon termékeinkre, amelyet fogyasztói használat keretében háztartási, hobby célra vásárolnak **24 hónap jótállást biztosítunk.**

A termék iparszerű használatra nem alkalmas!

A jótállás a fogyasztó törvényből eredő jogait nem érinti.

1) **Black&Decker** kötelezettséget vállal arra, hogy a garanciális javításokat a **49/2003. (VII. 30.) GKM** és a **151/2003 (IX.22.) sz. Korm. rend. szerint** végzi.

- A fogyasztó jótállási igényét a jótállási jeggyel érvényesítheti, ezért azt őrizze meg.
- Vásárláskor az eladónak a garanciaakártyán fel kell tüntetnie a vásárlás időpontját, a termék típusát vagy termék kódját, a kereskedés nevét, címét pedig a jótállási jegyre rá kell bélyegezni. Ennek alapján szerez jogosultságot a vevő a garancia időn belüli ingyenes garanciális javításra.
- Jótállási javítást csak érvényes jótállási jegy alapján végezhetnek a kijelölt szervizek.
- A jótállási jegyen történt bármilyen javítás, törlés vagy átírás, valótlan adatok bejegyzése, a jótállási jegy érvénytelenségét vonja maga után.
- Elvesztett jótállási jegyet csak a vásárlási számla felmutatásával, térítés ellenében tudunk pótolni!
- A jótállási jegy szabálytalan kiállítása vagy a fogyasztó részére történő átadásának elmaradása nem érinti a jótállási kötelezettségvállalás érvényességét.

2) **Nem terjed ki a garancia:**

- Ha a hiba rendeltetésellenes használat, átalakítás, szakszerűtlen kezelés, helytelen tárolás, elemi kár vagy egyéb, vásárlás után keletkezett okból következett be. *(A rendeltetéssel ellentétes használat elkerülése céljából a termékhez magyar nyelvű vásárlói tájékoztatót mellékelünk és kérjük, hogy az abban foglaltakat saját érdekében tartsa be!)*
- Az olyan károsodásokra, amelyek a szerszámok iparszerű (professzionális), közületi, valamint kölcsönzési felhasználása miatt keletkeztek.
- Azon alkatrészekre, amelyeknél a meghibásodás garanciaidőn belül a helyes kezelés, karbantartás szerinti rendeltetészerű üzemeltetés mellett az alkatrészek természetes elhasználódása, kopása következtében állt elő. *(ezek a következők: megmunkáló szerszámok pl. vágószerszám, fűrészlánc, fűrészlap, gyalukés stb. továbbá: meghajtósíj, csapágy, szénkefe, csillagkerék kpl.)*
- A készülék túlterhelése miatt jelentkező hibákra, amelyek a hajtómű meghibásodásához, vagy egyéb ebből adódó károkhoz vezetnek.
- A termék nem hivatalos szervizben történt javításából eredő hibákra.
- Az olyan károsodásokra, amelyek nem eredeti Black&Decker kiegészítő készülékek és tartozékok használatából adódnak.

3) **A fogyasztó** a javítás iránti igényét a forgalmazónál, illetve a jótállási jegyen feltüntetett javítószolgálatnál érvényesítheti.

- Meghosszabbodik a jótállási idő a kijavítási idő azon részével, amely alatt a fogyasztó a terméket nem tudta rendeltetészerűen használni.
- A jótállási és szavatossági jogok érvényesíthetőségének határidején belül a terméknek vagy jelentősebb részének kicserélése (kijavítása) esetén a kicserélt (kijavított) termékre (termékészre) 12 hónap jótállást biztosítunk. Ezek a következők: motor illetve állórész, forgórész, elektronika.
- Ha a fogyasztási cikk a vásárlástól (üzembe helyezéstől) számított három munkanapon belül meghibásodik, a fogyasztó kérheti annak kicserélését feltéve, hogy a meghibásodás a rendeltetészerű használatot akadályozza.
Ha a csere nem lenne lehetséges, műszakilag hasonló készülék kerül felajánlásra, vagy visszafizethető a vételár.

Amennyiben a hiba keletkezése, ténye, jellege, (pl. rendeltetésellenes használat, stb.) miatt vita merül fel, a Fogyasztó szakvéleményt kérhet a Fogyasztóvédelmi Főfelügyelőségtől. A szakvélemény térítésköteles és nem kötelező érvényű a Forgalmazó számára.

4) **Garanciális javítás esetén** a szerviznek a garanciaakártyán az alábbi adatokat kell feltüntetnie:

- a garanciális igény bejelentésének dátumát,
 - a hiba rövid leírását,
 - a javítás módját és időtartamát,
 - a készülék visszaadásának időpontját,
 - javítás időtartamával meg-hosszabbított új garanciaidőt.
- 5) **Arra törekszünk, hogy szervizhálózatunkon** kereszttül kiváló javítószolgálatot, zökkenőmentes alkatrészellátást, és széles tartozékpalaletta biztosítsunk.
- 6) **A fogyasztót a Polgári Törvénykönyvről szóló 1959. évi IV. törvény 306-310. §-ában, valamint a 49/2003. (VII. 30.) GKM** rendeletben meghatározott jogok illetik meg.

Gyártó:

Black&Decker GmbH
D – 65510 Idstein/Ts
Black&Decker str. 40.

Importőr/ Forgalmazó:

Erfaker Kft.
1158. Budapest,
Késmárk u. 9.

Zastosowanie zgodne z przeznaczeniem

Kosiarka żyłkowa Black & Decker GL701/GL716/GL720/GL741 jest przeznaczona do koszenia trawy na brzegach trawników i w trudno dostępnych miejscach. Elektronarzędzie to nie jest przystosowane do celów profesjonalnych.

Wskazówki dotyczące bezpieczeństwa

- **Ostrzeżenie!** Przy korzystaniu z elektronarzędzi dokładnie przestrzegaj wskazówek zawartych w tej instrukcji i podstawowych przepisów bhp, by zminimalizować ryzyko pożaru, porażenia prądem elektrycznym, doznania urazu ciała i szkód rzeczowych.
- Przed uruchomieniem kosiarki dokładnie przeczytaj niniejszą instrukcję.
- Przechowuj niniejszą instrukcję na wypadek, gdyby znów była kiedyś potrzebna.
- Przed rozpoczęciem wykonywania prac nastawczych lub konserwacyjnych zawsze wyjmij wtyczkę kabla z gniazda sieciowego.

Utrzymuj porządek w miejscu pracy!

Nieporządek w miejscu pracy grozi wypadkiem.

Wzeględniawpływo otoczenia!

Nie wystawiaj kosiarki na działanie deszczu. Nie używaj jej też w wilgotnym ani mokrym otoczeniu. Zadbaj o dobre oświetlenie miejsca pracy. Nie załączaj narzędzia w miejscach, gdzie występuje niebezpieczeństwo pożaru bądź wybuchu, na przykład w pobliżu palnych cieczy lub gazów.

Nie dopuszczaj dzieci do miejsca pracy!

Nie dopuszczaj dzieci, osób postronnych ani zwierząt do miejsca pracy i pilnuj, by nie dotykały kosiarki.

Zakładaj odpowiednią odzież ochronną!

Nie noś luźnej odzieży ani biżuterii, gdyż mogą one zostać pochwycone przez ruchome części kosiarki. Przy pracy na wolnym powietrzu godne polecenia są rękawice ochronne i obuwie na szorstkiej podeszwie. Na długie włosy zakładaj specjalną siatkę.

Ochrona osobista!

Zawsze zakładaj okulary ochronne i maskę przeciwpyłową, jeżeli podczas pracy w powietrzu jest wzbijany pył lub drobiny obrabianego materiału. Zakładaj specjalne słuchawki ochronne.

Ochrona przed porażeniem prądem elektrycznym:

Unikaj dotykania uziemionych elementów, jak na przykład rury, grzejniki, piece i chłodziarki.

Bezpieczeństwo elektryczne można zwiększyć przez użycie wyłącznika ochronnego różnicowo-prądowego (30 mA/30 mS).

Zachowuj stabilną postawę!

Zachowuj stabilną postawę, by nie stracić równowagi w jakiejś pozycji roboczej.

Zawsze zachowuj uwagę!

Koncentruj się na swojej pracy. Postępuj rozsądnie. Nie używaj kosiarki, gdy jesteś zmęczony.

Zabezpiecz obrabiany przedmiot!

Używaj przyrządów mocujących lub imadła do przytrzymania przedmiotu obrabianego. Gdy przedmiot ten jest dobrze zamocowany, możesz obsługiwać narzędzie obiema rękami.

Używaj urządzeń do odsysania pyłu!

Jeżeli producent przewidział urządzenia do odsysania lub gromadzenia pyłu, sprawdź, czy są one przyłączone i prawidłowo zamontowane.

Nie pozostawiaj wetkniętych kluczy do mocowania narzędzi roboczych!

Przed załączeniem elektronarzędzia sprawdź, czy zostały wyjęte klucze i przyrządy nastawcze.

Przedłużacz

Przed użyciem sprawdź przedłużacz i wymień go w razie wykrycia uszkodzenia. Przy pracy na wolnym powietrzu stosuj tylko przeznaczone do tego celu przedłużacze. Przedłużacz Black & Decker długości do 30 m nie powoduje zauważalnego spadku mocy.

Używaj odpowiednich narzędzi roboczych!

W niniejszej instrukcji opisano zastosowanie kosiarki zgodne z przeznaczeniem. Do ciężkich prac nie używaj zbyt słabych narzędzi roboczych ani akcesoriów. Najlepszą jakością i osobiste bezpieczeństwo osiągniesz, tylko stosując właściwe narzędzia. Nie przeciążaj kosiarki. Nie wykorzystuj elektronarzędzi do celów innych, niż przewidziane przez producenta, np. ręcznej pilarki tarczowej do ścinania pni drzew i gałęzi.

Ostrzeżenie! Używanie innych nasadek i wyposażenia dodatkowego, niż zalecane w tej instrukcji, lub wykonywanie prac niezgodnych z przeznaczeniem produktu może doprowadzić do wypadku.

Kontroluj kosiarkę pod względem uszkodzeń!

Przed użyciem sprawdź kosiarkę i kabel, czy są całkowicie sprawne. Nie zapomnij przy tym o ruchomych elementach. By zapewnić nienaganną pracę kosiarki, wszystkie części muszą być właściwie zamontowane. Nie używaj narzędzia, gdy jakaś jego część jest niesprawna. Uszkodzone elementy, urządzenia zabezpieczające i wyłączniki powinny być prawidłowo naprawione lub wymienione przez

jeden z naszych warsztatów serwisowych. Nie próbuj samemu ich naprawiać.

Wyjmuj wtyczkę kabla z gniazda sieciowego!

W razie nieużywania kosiarki, przed rozpoczęciem wykonywania prac konserwacyjnych, czy też przy wymianie narzędzia roboczego lub jakiegos innego elementu, zawsze wyjmuj wtyczkę kabla zasilającego z gniazda sieciowego.

Uważaj, by nie doszło do niezamierzonego załączenia!

Nie przenoś kosiarki z palcem opartym na wyłączniku. Przy przyłączaniu narzędzia do sieci najpierw sprawdź, czy jest ono wyłączone.

Ostrożnie obchodź się z kablem!

Nie przenoś kosiarki za kabel ani nie używaj kabla do wyjmowania wtyczki z gniazda sieciowego. Chronź kabel przed wysoką temperaturą, olejem i ostrymi krawędziami.

Bezpiecznie przechowuj swoje narzędzia!

Nieużywane elektronarzędzia powinny być przechowywane w suchym, niedostępnym dla dzieci miejscu.

Starannie konserwuj swoje narzędzia!

Ostrz i utrzymuj w czystości swoje narzędzia robocze, gdyż jest to warunkiem bezpieczeństwa pracy. Stosuj się do instrukcji konserwacji i wymiany narzędzi. Wszystkie rękojeści i wyłączniki powinny być suche, czyste, niezabrudzone olejem ani smarem.

Naprawy:

Kosiarka ta jest zgodna z obowiązującymi przepisami bezpieczeństwa i higieny pracy. Naprawy mogą być wykonywane wyłącznie przez uprawnionych do tego specjalistów przy użyciu oryginalnych części zamiennych; w przeciwnym razie użytkownik naraża się na nieprzewidywalne konsekwencje.

Bezpieczeństwo elektryczne



Kosiarka jest podwójnie zaizolowana i dlatego żyła uziemiająca nie jest potrzebna. Zawsze sprawdzaj, czy lokalne napięcie sieciowe odpowiada wartości podanej na tabliczce znamionowej elektronarzędzia.

Dodatkowe przepisy bezpieczeństwa pracy kosiarek żyłkowych

Kosiarka ta jest oznaczona następującymi symbolami:



Przed uruchomieniem kosiarki przeczytaj niniejszą instrukcję.



Na czas pracy zakładaj okulary ochronne!



Osoby postronne i zwierzęta trzymaj przynajmniej w odległości 6 m od miejsca pracy.



Nie wystawiaj kosiarki na działanie deszczu ani wilgoci.

- Zapoznaj się z elementami obsługi i zasadami prawidłowego użytkowania kosiarki.
- Używaj kosiarki tylko przy świetle dziennym lub dobrym sztucznym oświetleniem.
- Przed użyciem sprawdź kabel sieciowy i przedłużacz, czy nie jest uszkodzony lub zużyty. W razie uszkodzenia kabla natychmiast odłącz go od sieci. **NIE DOTYKAJ KABLA, DOPÓKI JEST PRZYŁĄCZONY DO SIĘCI.**
- Nie używaj kosiarki z uszkodzonym lub zużytym kablem.
- Dla ochrony stóp zakładaj solidne obuwie na szorstkiej podeszwie lub buty z cholewami.
- Dla ochrony nóg zakładaj długie spodnie.
- Przed użyciem kosiarki upewnij się, czy na terenie koszenia nie ma patyków, kamieni, drutów i innych obcych przedmiotów.
- Używaj kosiarki, zachowując wyprostowaną pozycję i prowadząc żyłkę tnącą w pobliżu ziemi. Nigdy nie załączaj kosiarki, gdy znajduje się w jakimś innym położeniu.
- Podczas pracy powoli przemieszczaj kosiarkę. Pamiętaj, że świeżo ścięta trawa jest wilgotna i śliska.
- Nie używaj kosiarki na stromych stokach. Koś wzdłuż zbocza, a nigdy z góry na dół.
- Nie przechodź przez ścieżki lub drogi żwirowe, gdy kosiarka jest włączona.
- Podczas pracy kosiarki nigdy nie dotykaj żyłki tnącej.
- Nie odkładaj kosiarki, dopóki żyłka tnąca całkowicie się nie zatrzyma.
- Stosuj tylko żyłki tnące właściwego rodzaju. Nigdy nie używaj żyłek metalowych ani rybackich.
- Nie dotykaj noża do przycinania żyłki.
- Cały czas obserwuj kabel sieciowy i utrzymuj go z dala od żyłki tnącej.
- Nie zbliżaj rąk ani nóg do żyłki tnącej, zwłaszcza przy załączaniu silnika.
- Uwaga! Po wyłączeniu kosiarki szpula z żyłką obraca się jeszcze przez jakiś czas.
- Nigdy nie używaj kosiarki z uszkodzonymi lub niezakończonymi osłonami.
- Zawsze sprawdzaj, czy szczeliny wentylacyjne nie są zatkane jakimiś zanieczyszczeniami.

Opis kosiarki

Kosiarka ta składa się z niektórych lub ze wszystkich wymienionych niżej elementów.

1. Wylłącznik
2. Rękojeść
3. Odciążenie kabla
4. Przyłącze sieciowe
5. Rękojeść dodatkowa
6. Przycisk ustalający
7. Rura
8. Osłona
9. Nóż do obcinania końca żyłki
10. Obudowa szpuli
11. Żyłka tnąca
12. Prowadnica do krawędzi

Montaż

Uwaga! Przed rozpoczęciem montażu upewnij się, czy kosiarka jest wyłączona, a wtyczka kabla wyjęta z gniazda sieciowego.

Mocowanie osłony (rys. A)

- Odkręcić śruby sześciokątne (13) znajdujące się na głowicy (14).
- Umieścić osłonę (8) jak pokazano na rysunku.
- Mocno docisnąć osłonę aż do wsunięcia jej na właściwe miejsce.
- Przymocować osłonę za pomocą śrub sześciokątnych.
- Dokręcić śruby za pomocą dołączonego klucza sześciokątnego (15).

Uwaga! Kosiarkę używaj tylko wtedy, gdy osłona jest prawidłowo zamontowana.

Uwalnianie żyłki tnącej

Fabrycznie żyłka tnąca jest przytwierdzona taśmą klejącą do obudowy szpuli.

- Ściągnij taśmę klejącą, którą żyłka tnąca (11) jest przytwierdzona do obudowy szpuli (10).

Przyłączanie kosiarki do napięcia sieciowego

- Wtyczkę odpowiedniego przedłużacza przyłącz do gniazda przyłączeniowego kosiarki (4).
- Przeprowadź kabel przez odciążenie (3).
- Wtyczkę kabla włóż do gniazda sieciowego.

Uwaga! Przedłużacz musi być przystosowany do pracy na wolnym powietrzu.

Koszenie

Uwaga! Nie przyspieszaj pracy na siłę. Unikaj przeciążania kosiarki.

Nastawianie kosiarki na dokaszanie i koszenie wyrównujące (rys. rys. B - D)

Kosiarka ta może być używana zarówno do dokaszania (tak jak pokazano na rysunku B), jak i do koszenia wyrównującego (przycinanie wystającej trawy wzdłuż krawędzi trawników i grządek) tak, jak to pokazano na rysunku C.

Dokaszanie (rys. rys. B i D)

Przy dokaszaniu głowica kosiarki powinna się znajdować w pozycji przedstawionej na rysunku B. W przeciwnym razie:

- Naciśnij przycisk ustalający (6).
- Obróć rurę (7), zwalniając przy tym przycisk.
- Gdy głowica znajdzie się we właściwej pozycji, przycisk sam zaskoczy.

Wskazówka: głowica daje się obracać tylko w jednym kierunku.

Koszenie wyrównujące (rys. rys. C i D)

Przy koszeniu wyrównującym głowica kosiarki powinna się znajdować w pozycji pokazanej na rysunku C. W przeciwnym razie:

- Naciśnij przycisk ustalający (6).
- Obróć rurę (7), zwalniając przy tym przycisk.
- Gdy głowica znajdzie się we właściwej pozycji, przycisk sam zaskoczy.

Wskazówka: głowica daje się obracać tylko w jednym kierunku.

Nastawianie wysokości kosiarki (rys. D)

Kosiarka ta zawiera mechanizm teleskopowy, który umożliwi nastawienie jej na najdogodniejszą dla siebie wysokość. Są możliwe trzy pozycje. By nastawić odpowiednią wysokość, wykonaj opisane niżej operacje:

- Naciśnij przycisk ustalający (6).
- Bez użycia siły wyciągnij rurę (7) z obudowy silnika (15) na żadaną długość, zwalniając przy tym przycisk.
- Gdy głowica znajdzie się we właściwej pozycji, przycisk sam zaskoczy.

Załączanie i wylłączanie

- By załączyć kosiarkę, naciśnij dźwignię (1).
- By wylłączyć kosiarkę, zwolnij dźwignię.

Uwaga! Nigdy nie próbuj blokowania włączonej dźwigni.

Porady, jak osiągnąć najlepsze wyniki pracy

Ogólne zalecenie

- By osiągnąć najlepsze wyniki pracy, koś tylko suchą trawę.

Dokaszanie

- Trzymaj kosiarkę tak, jak pokazano na rysunku B.
- Prowadź kosiarkę żyłkową, wykonując nią równomierne ruchy wahadłowe w lewo i w prawo.
- Gdy trawa jest długa, koś ją stopniowo od góry do dołu.
- Nie koś trawy tuż przy twardych przedmiotach i wrażliwych roślinach.
- Gdy kosiarka zacznie zwalniać, zmniejsz obciążenie.

Koszenie wyrównujące

Optymalne wyniki cięcia uzyskuje się, gdy rowki na brzegach trawnika są głębsze niż 50 mm.

- Nie używaj kosiarki do tworzenia rowków. Do tego celu najlepiej nadaje się łopata.
- Prowadź kosiarkę tak, jak pokazano na rysunku C.
- By krócej przyciąć trawę, lekko pochyl kosiarkę.

Konserwacja

Kosiarka firmy Black & Decker odznacza się dużą trwałością użytkową i prawie nie wymaga konserwacji. Jednak w celu zapewnienia ciągłej, bezawaryjnej pracy jest niezbędne jej regularne czyszczenie.

Uwaga! Przed rozpoczęciem wykonywania jakichkolwiek prac konserwacyjnych wyjmij wtyczkę kabla zasilającego z gniazda sieciowego.

- Regularnie za pomocą miękkiej szczoteczki lub suchej szmaty czyść szczeliny wentylacyjne w kosiarce.
- Regularnie czyść żyłkę tnącą i jej szpulę, używając do tego celu miękkiej szczoteczki lub suchej szmaty.
- Regularnie używaj tępego skrobaka do usuwania trawy i brudu ze spodu osłony.

Zakładanie nowej szpuli z żyłką (rys. rys. E i F)

Nowe szpule z żyłką tnącą można nabyć w sklepie z narzędziami firmy Black & Decker (numer zamówieniowy A6495).

- Ścisnij jęczyczki (16) i zdejmij pokrywę szpuli (17) z obudowy (10).
- Wyjmij pustą szpulę (18) z obudowy.
- Usuń brud i resztki trawy z pokrywy szpuli i z obudowy.
- Weź nową szpulę i osadź ją na trzpieniu w pokrywie. Lekko obróć szpulę, aż znajdzie się w prawidłowej pozycji.
- Odczep koniec jednej z żyłek tnących i przeprowadź go przez jedno z oczek (19).

Żyłka powinna wystawać z pokrywy na długość ok. 11 cm.

- Odczep koniec drugiej żyłki tnącej i przeprowadź go przez drugie oczko. Żyłka powinna wystawać z pokrywy na długość ok. 11 cm.
- Jęczyczki (16) pokrywy szpuli zgraj z odpowiednimi wycięciami (20) w obudowie.
- Wciśnij pokrywę w obudowę aż do zatrzaśnięcia.

Uwaga! Gdy wystające części żyłek są dłuższe niż odległość szpuli od noża (9), przytnij je na odpowiednią długość.

Nawijanie nowej żyłki tnącej na pustą szpulę (rys. rys. G – I)

Nową żyłkę tnącą można nawinąć na pustą szpulę. Samą żyłkę tnącą można nabyć u dilerów firmy Black & Decker (numer zamówieniowy A6171).

- Wyjmij pustą szpulę zgodnie z opisem w poprzednim punkcie.
- Usuń ze szpuli ewentualne resztki żyłki.
- Najpierw nawiń nową żyłkę na górną część szpuli:
 - Wprowadź dwucentymetrowy odcinek żyłki tnącej w jedną ze szczelin w górnej części szpuli tak, jak pokazano na rysunku.
 - Nawiń żyłkę tnącą na szpulę w kierunku strzałki. Żyłkę nawijaj równo i warstwami, uważając, by się nie krzyżowała.
 - Gdy nawinięta żyłka zrówna się z wycięciami (21), odetnij ją.
 - Przejśćciowo włóż żyłkę w szczeliny (22) z jednej strony szpuli tak, jak pokazano na rysunku.
- Zrób to samo z drugą żyłką tnącą, nawijając ją na dolną część szpuli. Zaczep żyłkę w wolnych szczelinach (22)
- Zamocuj szpulę w kosiarce zgodnie z powyższym opisem. Nie zapomnij o wyjęciu żyłek tnących ze szczelin (22), w które zostały chwilowo wciśnięte.

Uwaga! Używaj tylko odpowiedniego rodzaju żyłek tnących Black & Decker. Upewnij się, czy żyłka jest nawinięta na obydwu częściach szpuli.

Usuwanie usterek

Gdyby kosiarka przestała prawidłowo działać, przeczytaj poniższe wskazówki. Jeżeli nie uda Ci się usunąć usterek, zwróć się do serwisu firmy Black & Decker.

Uwaga! Przed wykonaniem opisanych niżej czynności, wyjmij wtyczkę kabla z gniazda sieciowego.

Kosiarka wolno pracuje

- Sprawdź, czy obudowa szpuli daje się swobodnie obracać. W razie potrzeby dokładnie ją oczyść.
- Sprawdź, czy odcinek żyłki tnącej wystający z obudowy szpuli nie jest dłuższy niż 11 cm. W razie potrzeby utnij żyłkę tak, by akurat dosięgała do noża.

Nie działa automatyczny mechanizm podający żyłkę

- Ściśnij jęczyczki i zdejmij pokrywę szpuli z obudowy.
- Wyciągnij żyłkę tnącą tak, by wystawała z obudowy na 11 cm. Gdy ilość żyłki na szpuli nie jest wystarczająca, wymień ją na nową zgodnie z powyższym opisem.
- Jęczyczki pokrywy ustaw odpowiednio względem wycięć w obudowie.
- Wciśnij pokrywę w obudowę aż do zatrzaśnięcia.
- Gdy wystająca część żyłki tnącej jest dłuższa niż odległość obudowy szpuli od noża, przytnij żyłkę tak, by akurat do niego dosięgała.

Gdy automatyczny mechanizm podający nadal nie działa lub szpula blokuje się, spróbuj wykonać następujące operacje:

- Starannie oczyść pokrywę szpuli i samą obudowę.
- Wyjmij szpulę i sprawdź, czy dźwignia w obudowie szpuli daje się swobodnie poruszać.
- Wyjmij szpulę i odwiń żyłkę. Jeszcze raz równo nawiń żyłkę tak, jak wyżej opisano. Ponownie włóż szpulę w obudowę zgodnie z powyższym opisem.

Ochrona środowiska



Selektywna zbiórka odpadów. Produktu tego nie wolno wyrzucać do normalnych śmieci z gospodarstw domowych.

Gdy pewnego dnia będziesz zmuszony zastąpić produkt Black & Decker nowym sprzętem lub nie będziesz go już potrzebować, nie wyrzucaj go do śmieci z gospodarstw domowych, a jedynie oddaj do specjalistycznego zakładu utylizacji odpadów.



Dzięki selektywnej zbiórce zużytych produktów i opakowań niektóre materiały mogą być odzyskane i ponownie wykorzystane. W ten sposób chroni się środowisko naturalne i zmniejsza popyt na surowce.

Lokalne przepisy mogą wymagać oddawania elektrycznych urządzeń powszechnego użytku sprzedawcy, u którego produkt został zakupiony, lub do punktów zbiorczych.

Firma Black & Decker chętnie przyjmuje stare, wyprodukowane przez siebie urządzenia i utylizuje je zgodnie z obowiązującymi przepisami. Usługa ta jest bezpłatna. By z niej skorzystać, oddaj elektronarzędzie do autoryzowanego warsztatu naprawczego, który prowadzi zbiórkę w naszym imieniu.

W instrukcji tej zamieszczono adresy przedstawicielstw handlowych firmy Black & Decker, które udzielają informacji o warsztatach serwisowych. Ich listę znajdziesz także w internecie pod adresem:

www.2helpU.com.

Dane techniczne

	GL701	GL716	GL720	GL741
Napięcie	V 230	230	230	230
Pobór mocy	W 550	580	600	700
Prędkość obrotowa				
biegu jałowegoobr/ min	6500	6500	6500	6500
Masa	kg 3,2	3,2	3,2	3,2

Deklaracja zgodności z normami UE

Firma Black & Decker deklaruje niniejszym, że kosiarki żyłkowe **GL701, GL716, GL720, GL741** zostały wykonane zgodnie z następującymi wytycznymi i normami:
 98/37/EWG, 89/336/ EWG, 73/23/ EWG,
 EN 60335, EN 55014, EN 61000, 2000/14/EC,
 Aneks VIII, kosiarka żyłkowa L < 50, nr 0344,
 KEMA Quality B.V., Utrechtseweg 310,
 6802 ED Arnhem, Holandia.

Poziom ciśnienia akustycznego zmierzony według normy 2002/14/EWG:

Poziom ciśnienia akustycznego A 81 dB(A)
 moc akustyczna A 95 dB(A)
 gwarantowana moc akustyczna A 96 dB(A)

Ważona wartość skuteczna przyspieszeń na rękojeści zmierzona według normy EN 786 > 2,5 m/s²



Kevin Hewitt
 Dyrektor Techniczny
 Black&Decker
 Spennymoor, County Durham
 DL16 6JG,
 Wielka Brytania, 01.11.2005r.

Numer zgłoszenia patentowego
 Wielkiej Brytanii 059745.6

Numery zgłoszeń wzoru użytkowego Unii Europejskiej 340385-0001 i 339544-0001.

Prosimy zajrzeć na naszą stronę internetową **www.blackanddecker.pl**, na której przedstawiamy nowe wyroby i oferty specjalne.

Więcej informacji na temat samej firmy Black & Decker i produkowanego przez nas sprzętu można znaleźć pod adresem:

www.blackanddecker.pl

Black&Decker

Warunki gwarancji:

Gwarantujemy sprawne działanie produktu, zgodnie z warunkami techniczno-eksploatacyjnymi opisanymi w instrukcji obsługi. Niniejszą gwarancją nie są objęte elementy podlegające naturalnemu zużyciu.

1. Niniejszą gwarancją objęte są usterki produktu spowodowane wadami produkcyjnymi i wadami materiałowymi.
2. Niniejsza gwarancja jest ważna po przedstawieniu przez Klienta w Centralnym Serwisie Gwarancyjnym reklamowanego produktu oraz łącznie:
 - a) poprawnie wypełnionej karty gwarancyjnej;
 - b) ważnego paragonu zakupu z datą sprzedaży taką, jak w karcie gwarancyjnej lub kopii faktury.
3. Gwarancja obejmuje bezpłatną naprawę urządzenia (wraz z bezpłatną wymianą uszkodzonych części) w okresie 24 miesięcy od daty zakupu.
4. Produkt reklamowany musi być:
 - a) dostarczony bezpośrednio do Centralnego Serwisu Gwarancyjnego wraz z poprawnie wypełnioną Kartą Gwarancyjną i ważnym paragonem zakupu (lub kopią faktury) oraz szczegółowym opisem uszkodzenia, lub
 - b) przesłany do Centralnego Serwisu Gwarancyjnego z dokumentami wymienionymi powyżej.
5. Koszty wysyłki do Centralnego Serwisu Gwarancyjnego ponosi Black&Decker. Wszelkie koszty związane z zapewnieniem bezpiecznego opakowania, ubezpieczeniem i innym ryzykiem ponosi Klient. W przypadku odrzucenia roszczenia gwarancyjnego, produkt jest odsyłany do miejsca nadania na koszt adresata.
6. Usterki ujawnione w okresie gwarancji będą usunięte przez Centralny Serwis Gwarancyjny w terminie:
 - a) 14 dni roboczych od daty przyjęcia produktu przez Centralny Serwis Gwarancyjny;
 - b) termin usunięcia wady (punkt 6 a) może być wydłużony o czas niezbędny do importu niezbędnych części zamiennych;
7. Klient otrzyma nowy sprzęt, jeżeli:
 - a) Centralny Serwis Gwarancyjny stwierdzi na piśmie, że usunięcie wady jest niemożliwe;
 - b) produkt nie podlega naprawie, tylko wymianie bez dokonywania naprawy.
8. O ile taki sam produkt jest nieosiągalny, może być wydany nowy produkt o nie gorszych parametrach.
9. Decyzja Centralnego Serwisu Gwarancyjnego odnośnie zasadności zgłaszanych usterek jest decyzją ostateczną.
10. Gwarancją nie są objęte:
 - a) wadliwe działanie lub uszkodzenia spowodowane niewłaściwym użytkowaniem lub używaniem produktu niezgodnie z przeznaczeniem, instrukcją obsługi lub przepisami bezpieczeństwa. W szczególności profesjonalne użytkowanie amatorskich urządzeń Black&Decker powoduje utratę gwarancji;
 - b) wadliwe działanie lub uszkodzenia spowodowane przeciążeniem narzędzia, które prowadzi do uszkodzeń silnika lub innych elementów
 - c) mechaniczne uszkodzenia produktu i wywołane nimi wady;
 - d) wadliwe działanie lub uszkodzenia na skutek działania pożaru, powodzi, czy też innych klęsk żywiołowych, nieprzewidzianych wypadków, korozji, normalnego zużycia w eksploatacji czy też innych czynników zewnętrznych;
 - e) produkty, w których naruszone zostały plombi gwarancyjne lub, które były naprawiane poza Centralnym Serwisem Gwarancyjnym lub były przerabiane w jakikolwiek sposób;
 - f) elementy ulegające naturalnemu zużyciu.
11. Centralny Serwis Gwarancyjny, firmy handlowe, które sprzedały produkt, nie udzielają upoważnień ani gwarancji innych niż określone w karcie gwarancyjnej. W szczególności nie obejmują prawa klienta do domagania się zwrotu utraconych zysków w związku z uszkodzeniem produktu.
12. Gwarancja nie wyłącza, nie ogranicza ani nie zawiesza uprawnień kupującego wynikających z niezgodności towaru z umową.

Centralny Serwis Gwarancyjny ERPATECH
 ul. Obozowa 61, 01-418 Warszawa
 tel.: (22) 862-08-08, fax: (22) 862-08-09

Použitie

Vaša strunová kosačka Black & Decker GL701/GL716/GL720/GL741 je určená na kosenie a úpravu trávnikov a na kosenie trávy v nedostupných a stiesnených priestoroch. Toto náradie je určené iba na spotrebiteľské použitie.

Bezpečnostné pokyny

- **Varovanie!** Pri použití elektrického náradia napájaného z elektrickej siete musia byť dôsledne dodržiavané základné bezpečnostné pokyny vrátane pokynov uvedených v tomto návode, aby ste znížili riziko vzniku požiaru, úrazu elektrickým prúdom, poranenia osôb alebo materiálnych škôd.
- Pred použitím tohto výrobku si poriadne preštudujte celý návod.
- Tento návod uschovajte pre prípadné ďalšie použitie.
- Pred prevádzkaním nastavenia, opravy alebo údržby vždy odpojte prívodný kábel od siete.

Udržujte poriadok na pracovisku

Neporiadok v pracovnom priestore a preplnený pracovný priestor môžu viesť k vzniku úrazu.

Berte ohľad na pracovné prostredie

Nevystavujte náradu dažďu. Nepracujte s náradím v podmienkach s vysokou vlhkosťou. Zaisťte si kvalitné osvetlenie pracovnej plochy. Nepoužívajte náradie tam, kde je riziko vzniku explózie, tj. v blízkosti horľavých kvapalín alebo plynov.

Chráňte náradie pred deťmi

Nedovoľte deťom, ostatným osobám alebo zvieratám, aby sa dostali do blízkosti pracovného priestoru alebo sa dotýkali náradia a prívodných káblov.

Vhodne sa obliekajte

Nenoste voľné oblečenie alebo šperky, tieto môžu byť zachytené pohybujúcimi sa časťami náradia. Ak pracujete vonku, používajte pokiaľ možno gumené rukavice a nekĺzavú obuv. V prípade, že máte dlhé vlasy, používajte zodpovedajúci prostriedok, ktorým vlasy zopnete.

Prvky osobnej ochrany

Vždy používajte ochranné okuliare. Ak sa pri práci s náradím práši alebo pokiaľ odlietavajú drobné častičky materiálu, používajte proti prachu ochranný štít alebo respirátor. Používajte ochranu sluchu.

Ochrana pred úrazom spôsobeným elektrickým prúdom

Vyvarujte sa telesnému kontaktu s uzemnenými predmetmi, ako sú rúrky, radiátory, elektrické sporáky a chladničky. Elektrická bezpečnosť

môže byť ďalej zvýšená použitím veľmi citlivého zariadenia (30 mA / 30 mS) pre zvyškový prúd (RCD).

Nenakláňajte sa

Pri práci udržiavajte vhodný a pevný postoj.

Buďte stále pozorní

Stále sledujte, čo robíte. Pracujte s rozvahou. Neobsluhujte náradie, ak ste unavení.

Upevnite si polotovar

Na upnutie obrobku používajte svorky alebo zverák. Je to bezpečnejšie a umožňuje to obsluhu náradia oboma rukami.

Pripojte zariadenie na odsávanie prachu

Pokiaľ je zariadenie vybavené adaptérom na pripojenie zariadení na zachytávanie prachu, zaisťte jeho správne pripojenie a riadne fungovanie.

Odstráňte nastavovacie prípravky a kľúče

Pred spustením náradia sa vždy uistite, či nie sú v jeho blízkosti kľúče alebo nastavovacie prípravky.

Predlžovacie káble

Pred použitím tieto káble prehladnite a pokiaľ sú poškodené, vymeňte ich. Pri práci s náradím vonku používajte vždy predlžovacie káble určené na vonkajšie použitie. Môžete používať predlžovacie káble Black & Decker až do dĺžky 30 m, bez toho, aby došlo ku strate výkonu.

Používajte len vhodné náradie

Použitie tohto náradia je popísané v tomto návode. Nepreťažujte malé náradie alebo prídavné zariadenia pri práci, ktorá je určená pre výkonnejšie náradie. Náradie bude pracovať lepšie a bezpečnejšie, ak sa bude používať vo výkonnostnom rozsahu, pre ktorý bolo určené. Na náradie príliš netlačte. Náradie nepoužívajte na iné účely, než na tie, na ktoré bolo navrhnuté, napríklad nepoužívajte okružnú pílu na oddeľovanie kmeňa stromu alebo na orezávanie konárov.

Varovanie! Použitie iného príslušenstva alebo prídavného zariadenia a prevádzanie iných pracovných operácií než je odporúčané v tomto návode môže zapríčiniť poranenie obsluhy.

Kontrolujte stav náradia

Pred každým použitím starostlivo skontrolujte, či nedošlo k poškodeniu náradia alebo prívodného kábla. Skontrolujte vychýlenie a uloženie pohybujúcich sa častí, opotrebenie jednotlivých častí, poškodenie ochranných krytov a vypínačov a ďalších prvkov, ktoré môžu ovplyvniť správny chod náradia. Zaisťte, aby bol chod náradia celkom v poriadku a aby náradie správne plnilo funkciu, na ktorú je určené. Ak je náradie alebo jeho akákoľvek časť poškodená, nepoužívajte ho. Ak nepracuje správne hlavný vypínač, náradie

nepoužívajte. Poškodené a zničené diely nechajte opraviť alebo vymeniť v autorizovanom servisnom stredisku. Nikdy sa nepokúšajte prevádzkať akékoľvek opravy sami.

Odpojte prívodný kábel

Ak sa náradie nepoužíva, pred výmenou jeho častí, príslušenstva alebo doplnkov a pred prevádzkaním údržby vždy odpojte prívodný kábel.

Zabráňte neúmyselnému zapnutiu prístroja

Neprenášajte náradie s prstom na hlavnom vypínači. Pred pripojením prívodného kábla k sieti sa uistite, či je náradie vypnuté.

Nepoškodzuje prívodný kábel

Nikdy neprenášajte náradie uchopením za prívodný kábel a pri vyťahovaní zo zásuvky za tento kábel neťahajte. Chráňte kábel pred vysokými teplotami, olejmi a ostrými hranami.

Uskladnenie nepoužívaného náradia

Pokiaľ náradie nepoužívate, malo by byť uskladnené na suchom mieste a uzamknuté alebo inak vhodne zabezpečené mimo dosahu detí.


Prevádzkajte údržbu náradia starostlivo

Ostrie nástrojov udržiavajte nabrúsené a čisté, docielite tým bezpečnejšiu prevádzku a vyššiu výkonnosť. Dodržujte všetky pokyny na vykonávanie údržby a na výmenu príslušenstva. Udržiavajte všetky rukoväte a ovládacie prvky čisté, suché a neznečistené olejmi či inými mazivami.

Opravy

Toto náradie vyhovuje platným bezpečnostným predpisom. Opravy by mali byť prevádzané iba kvalifikovanými servisnými mechanikmi s použitím originálnych náhradných dielov; v ostatných prípadoch môže dôjsť k nebezpečnému ohrozeniu užívateľa.

Elektrická bezpečnosť

 Toto náradie je chránené dvojitoú izoláciou; Z tohto dôvodu nie je nutná ochrana uzemnením. Vždy skontrolujte, či zdroj napätia zodpovedá napätiu na výkonovom štítku.

- Toto náradie nie je určené na to, aby ho používala nedospelá alebo neskúsená osoba bez dozoru. Deti musia byť pod dozorom, aby sa s náradím nehrali.
- Poškodený prívodný kábel musí byť bezpečne vymenený výrobcom alebo autorizovaným servisným zástupcom firmy Black & Decker.

Doplňujúce bezpečnostné pokyny pre strunové kosačky

Na zariadení je možné nájsť nasledujúce varovné symboly:



Pred začatím obsluhy si starostlivo preštudujte tento návod.



Pri práci so zariadením používajte bezpečnostné alebo ochranné okuliare.



Osoby a domáce zvieratá udržiavte aspoň 6 m z dosahu pracovnej plochy kosenia.



Zariadenie nevystavujte dažďu alebo prostrediu s vysokou vlhkosťou.

- Buďte oboznámení s obsluhou a správnym používaním zariadenia.
- Náradie používajte iba za dobrého denného svetla alebo s dobrým umelým osvetlením.
- Pred použitím prívodný kábel riadne prezrite, či nie je poškodený alebo opotrebovaný. Pokiaľ sa prívodný kábel behom používania poškodí, okamžite ho odpojte od elektrického kábla. **NEDOTÝKAJTE SA PRÍVODNÉHO KÁBLA PREDTÝM, NEŽ BUDE ODPOJENÝ.**
- Pokiaľ je prívodný kábel poškodený alebo opotrebovaný, strunovú kosačku nepoužívajte.
- Obujte si robustné topánky alebo čižmy, aby boli vaše chodidlá chránené.
- Nohy si chráňte dlhými nohavcami.
- Pred použitím zariadenie skontrolujte, či je trasa, po ktorej budete kosiť zbavená polien, kameňov, drôtov a akýchkoľvek ďalších predmetov.
- Zariadenie používajte iba vo zvislej polohe, s žacou strunou blízko pri zemi. Nikdy nespúšťajte zariadenie v akejkoľvek inej polohe.
- Behom chodu pohybujte s kosačkou pomaly. Uvedomte si, že je čerstvo nakosená tráva klzká a vlhká.
- Nepracujte na príkrých svahoch.
- Na svahoch pracujte po vrstevniciach, nikdy nie smerom hore a dole.
- Nikdy so zapnutým zariadením neprechádzajte cez štrkové chodníky alebo cesty.
- Nikdy sa nedotýkajte struny, pokiaľ je zariadenie v chode.
- Nekladte zariadenie na zem, pokiaľ sa struna úplne nezastaví.
- Používajte iba zodpovedajúci typ sekacej struny. Nikdy nepoužívajte kovové rezacie lanko alebo rybársky vlasce.
- Dajte pozor, aby ste sa nedotkli odrezávacieho noža.
- Dávajte pozor, aby prívodný kábel neprišiel do styku s rezacou strunou. Stále sledujte, kde sa prívodný kábel nachádza.

- Ruky i nohy držte z dosahu rezného zariadenia, obzvlášť pri spustení motora.
- Varovanie! Rezné zariadenie sa otáča ešte po vypnutí motora.
- Zariadenie nepoužívajte s poškodenými ochrannými krytmi, alebo pokiaľ nie sú ochranné kryty nasadené.
- Zaisťte, aby boli ventilačné otvory vždy čisté bez zbytkov trávy.

Popis

Toto náradie je vybavené niektorými alebo všetkými nasledovnými prvkami.

1. Hlavný vypínač (zapnuté/vypnuté)
2. Rukoväť
3. Držiak kábla
4. Prívod napätia
5. Sekundárna rukoväť
6. Nastavovacie tlačidlo
7. Výsuvná rukoväť
8. Ochranný kryt
9. Odrezávací nôž
10. Kryt cievky
11. Rezacia struna
12. Vodidlo

Skladanie prístroja

Varovanie! Pred montážou sa uistite, či je náradie vypnuté a či je prívodný kábel odpojený od zásuvky.

Nasadenie ochranného krytu (obr. A)

- Vyskrutkujte skrutky s hlavou s vnútorným šesťhranom (13) z hlavy (14).
- Nasadte kryt (8) na náradie ako je znázornené na obrázku.
- Kryt riadne pritlačte na svoje miesto tak, aby došlo k jeho zacvaknutiu.
- Pripevnite kryt pomocou skrutiek vnútorným šesťhranom.
- Pritiahnite všetky skrutky s hlavou s vnútorným šesťhranom pomocou dodaného kľúča (15).

Varovanie! Bez riadne uchyteného ochranného krytu so zariadením nepracujte.

Uvoľnenie rezacej struny

Počas prepravy je rezacia struna k cievke prichytená páskou.

- Odstráňte pásku, ktorou je prichytená rezacia struna (11) ku krytu cievky (10).

Pripojenie zariadenia k elektrickému prívodu

- Stranu so zásuvkou vhodného predlžovacieho kábla pripojte k prívodu napájania (4).
- Kábel obtočte a vedte cez držiak kábla (3).
- Sieťovú zástrčku zasuňte do sieťovej zásuvky v stene.

Varovanie! Predlžovací kábel musí byť vhodný na vonkajšie použitie.

Použitie

Varovanie! Nechajte náradie pracovať jeho vlastným tempom. Zamedzte preťažovaniu náradia.

Nastavenie režimu kosenia alebo zarezávania krajov (obr. B - D)

Náradie je možné prevádzkovať v režime kosenia, ako je znázornené na obr. B alebo v režime zarezávania krajov, na odstránenie zbytkov trávy pri okrají trávnikov a kvetinových záhonov, ako je znázornené na obr. C.

Režim kosenia (obr. B & D)

V režime kosenia by mala byť hlavica v polohe znázornenej na obr. B. Ak nie je:

- Stlačte nastavovacie tlačidlo (6).
- Otáčajte rukoväťou (7) a tlačidlo uvoľnite.
- Keď sa hlava dostane na miesto, tlačidlo zaskočí.

Poznámka: Rukoväťou je možné otáčať iba jedným smerom.

Režim zarezávania krajov (obr. C & D)

V režime zarezávania krajov by mala byť hlavica v polohe znázornenej na obr. C. Ak nie je:

- Stlačte nastavovacie tlačidlo (6).
- Otáčajte rukoväťou (7) a tlačidlo uvoľnite.
- Keď sa hlava dostane na miesto, tlačidlo zaskočí.

Poznámka: Rukoväťou je možné otáčať iba jedným smerom.

Upravenie dĺžky náradia (obr. D)

Toto náradie je vybavené teleskopickým mechanizmom, ktorý vám umožňuje podľa potreby upraviť si jeho dĺžku. Je možné nastaviť tri dĺžky. Dĺžku upravíte nasledujúcim postupom:

- Stlačte nastavovacie tlačidlo (6).
- Ľahko podľa potreby povytiahnite rukoväť (7) smerom von z krytu motora (15) a tlačidlo uvoľnite.
- Keď sa rukoväť dostane na miesto, tlačidlo zaskočí.

Zapnutie a vypnutie

- Ak chcete náradie zapnúť, stlačte hlavný vypínač (1).
- Náradie vypnete uvoľnením stlačenia hlavného vypínača.

Varovanie! Nikdy sa nepokúšajte zaisťiť hlavný vypínač v polohe zapnuté.

Rady pre optimálne použitie náradia

Všeobecné

- Ak chcete dosiahnuť optimálne výsledky, koste iba suchú trávu.

Zrezávanie

- Náradie uchopte tak, ako je znázornené na obrázku B.
- Ľahko pootáčajte kosačkou zo strany na stranu.
- Ak kosíte vysokú trávu, pracujte po častiach od zhora dole.
Trávu koste po krátkych kúskoch.
- Náradie držte z dosahu tvrdých predmetov a krehkých rastlín.
- Ak náradie spomalí chod, znížte jeho zaťaženie.

Zarezávanie krajov

Optimálne výsledky zarezávania budú dosiahnuté na okrajoch hlbších ako 50 mm.

- Nepoužívajte náradie na vytváranie lemov. Na vytváranie lemov používajte lemovací rýľ.
- Náradie vedte tak, ako je znázornené na obrázku C.
- Pri zostrihávaní tesne pri zemi náradie ľahko skloňte.

Údržba

Vaše náradie bolo navrhnuté tak, aby bola zaistená jeho dlhá prevádzková životnosť s minimálnymi nárokmi na údržbu. Predpokladom jeho dlhodobej bezproblémovej funkcie je jeho pravidelné čistenie a starostlivosť.

Varovanie! Pred prevádzkaním akejkoľvek údržby náradie vypnite a odpojte prívodný kábel od siete.

- Pravidelne čistite vetracie drážky na náradí pomocou mäkkej kefy alebo suchej handričky.
- Pomocou mäkkej kefy alebo suchej handričky pravidelne čistite rezáciu strunu a cievku.
- Pravidelne pomocou tupej škrabky odstraňujte zo spodnej strany krytu zachytenú trávu a nečistoty.

Uchytenie novej cievky s rezacou strunou (obr. E & F)

Náhradné cievky s rezacou strunou dostanete u vášho dodávateľa Black & Decker (kat. č. A6495)

- Pridržte príchytky (16) stlačené a vyberte z puzdra (10) uzáver cievky (17).
- Vyberte prázdnu cievku (18) z krytu.
- Z uzáveru cievky a puzdra odstráňte zachytené nečistoty a zvyšky trávy.
- Vezmite novú cievku a nasuňte ju na výčnelok uzáveru cievky. Ľahko cievkou pootočte, až sa usadí.

- Odpojte jeden koniec rezacej struny a prevlečte ho jedným z očiek (19). Struna by mala vyčnievať približne 11 cm od uzáveru cievky.
- Odpojte druhý koniec rezacej struny a pretiahnite ho druhým očkom. Struna by mala vyčnievať približne 11 cm od uzáveru cievky.
- Zarovnajtie príchytky (16) na uzávère cievky s výrezmi v kryte (20).
- Uzáver vložte späť do puzdra až zaklapne bezpečne späť na svoje miesto.

Varovanie! Ak budú rezacie struny vyčnievať cez odrezávací nôž (9), odrežte ich tak, aby zasahovali iba k ostriu odrezávacieho noža struny.

Navinutie novej struny na prázdnu cievku (obr. G - I)

Na prázdnu cievku môžete navinúť novú rezáciu strunu. Náhradné súpravy s rezacou strunou dostanete u vášho dodávateľa Black & Decker (kat. č. 6171).

- Vyššie popísaným spôsobom vyberte prázdnu cievku z náradia.
- Z cievky odmotajte zvyšok struny.
- Najprv naviňte novú strunu na vrchnú časť cievky:
 - Založte 2 cm rezacej struny do jednej zo štrbín v hornej časti cievky podľa obrázka.
 - Rezáciu strunu naviňte na cievku uhladne vo vrstvách. Neprekrižujte ju.
 - Ak navíjaná struna dosiahne vykrojenie (21), odstrihnite ju.
 - Dočasne zaparkujte strunu v zárezoch (22) na jednej strane cievky tak, ako je znázornené na obrázku.
- Opakujte vyššie popísaný postup pre druhú rezáciu strunu v spodnej časti cievky. Strunu zaparkujte vo voľných zárezoch (22).
- Navinutú cievku vložte do náradia vyššie popísaným spôsobom. Nezabudnite uvoľniť rezáciu strunu z parkovacích zárezov (22).

Varovanie! Používajte iba vhodnú rezáciu strunu Black & Decker. Zaistíte, aby bola struna v oboch častiach cievky.

Riešenie problémov

Ak vaše náradie nepracuje správne, postupujte podľa krokov uvedených ďalej. Ak nebude porucha odstránená, spojte sa s vaším servisným zástupcom Black & Decker.

Varovanie! Pred tým, ako budete pokračovať, odpojte náradie od elektrickej siete.

Chod náradia je pomalý

- Skontrolujte, či sa puzdro cievky voľne otáča. Ak je potrebné, opatrne ho očistite.
- Skontrolujte, či nie je rezacia struna vyťahnutá z puzdra cievky viac ako 11 cm. Ak áno, odrežte ju tak, aby zasahovala len k ostriu odrezávacieho noža struny.

Automatický posuv struny nepracuje

- Pridržte príchytky stlačené a vyberte z puzdra uzáver cievky.
- Povyťahnite rezáciu strunu tak, aby vyčnievala z puzdra 11 cm. Ak už nie je dostačujúca dĺžka struny k dispozícii, vložte vyššie popísaným spôsobom novú cievku so strunou.
- Porovnajte príchytky na uzávere cievky s výrezmi na kryte.
- Uzáver vložte späť do puzdra až zaklapne bezpečne späť na svoje miesto.
- Ak rezacia struna presahuje cez nôž, odrežte ju tak, aby zasahovala len k ostriu odrezávacieho noža struny.

Ak automatický posuv struny stále nepracuje alebo ak je cievka zablokovaná, skúste nasledujúce:

- Starostlivo očistite puzdro a uzáver cievky.
- Vyberte cievku a skontrolujte, či sa páčky môžu voľne pohybovať.
- Vyberte cievku a odviňte rezáciu strunu a potom ju znovu úhľadne naviňte vyššie popísaným spôsobom. Cievku podľa návodu vymeňte.

Ochrana životného prostredia

Triedený odpad. Tento prístroj nesmie byť vyhodnený do bežného domového odpadu.

Hneď ako zistíte, že budete chcieť vymeniť vaše náradie alebo ak nebudete toto náradie ďalej používať, nevyhazujte ho do domového odpadu. Zaisťte likvidáciu tohto výrobku v triedenom odpade.



Triedený odpad umožňuje recykláciu a opätovné využitie použitých výrobkov a obalových materiálov. Opätovné použitie recyklovaných materiálov pomáha chrániť životné prostredie pred znečistením a znižuje spotrebu surovín.

Pri zakúpení nových výrobkov vám predajne, miestne zberne odpadov alebo recyklačné stanice poskytnú informácie o správnej likvidácii elektroodpadov z domácností.

Po ukončení životnosti výrobkov Black & Decker poskytuje spoločnosť Black & Decker možnosť recyklácie týchto výrobkov. V rámci tejto výhodnej služby vráťte vaše náradie ktorejkoľvek autorizovanej servisnej pobočky Black & Decker, kde bude toto náradie zhromaždené a s ohľadom na životné prostredie recyklované.

Miesto Vašej najbližšej servisnej pobočky Black & Decker nájdete na príslušnej adrese uvedenej na zadnej strane tohto návodu. Prehľad autorizovaných servisných dielní Black & Decker a rovnako ďalšie informácie môžete nájsť tiež na internetovej adrese: www.2helpU.com

Technické údaje

		GL701	GL716	GL720	GL741
Napätie	V _{AC}	230	230	230	230
Príkon	W	550	580	600	700
Otáčky naprázdnom ¹		6,500	6,500	6,500	6,500
Hmotnosť	kg	3,2	3,2	3,2	3,2

Vyhľadanie o zhode**GL701/GL716/GL720/GL741**

Spoločnosť Black & Decker vyhlasuje, že tento výrobok zodpovedá nasledujúcim normám: 98/37/EC, 89/336/EEC, 73/23/EEC, EN 60335, EN 55014, EN 61000 2000/14/EC, Príloha VIII, strunová kosačka, L ≤ 50 číslo 0344, KEMA Quality B.V., Utrechtseweg 310, 6802 ED Arnhem, Holandsko

Úroveň akustického tlaku meraná podľa normy EN 2002/14/EC:

L_{PA} (akustický tlak) 81 dB(A)
 L_{WA} (akustický výkon) 95 dB(A)
 L_{WA} (zaručený akustický výkon) 96 dB(A)
 Vibrácie ruka/paža merané podľa normy EN 786 < 2,5 m/s²

Kevin Hewitt
 Technický a vývojový riaditeľ
 Spennymoor, County Durham
 DL16 6JG, Veľká Británia
 1-11-2005

Vzor pre UK, číslo 059745.6
 Použitie projektové patenty Európskej únie.
 340385-0001 & 339544-0001

Politika služieb zákazníkom

Spokojnosť zákazníka s výrobkom a servisom je náš najvyšší cieľ.

Kedykoľvek budete potrebovať radu či pomoc, obráťte sa s dôverou na náš najbližší servis Black&Decker, kde Vám vyškolený personál poskytne naše služby na najvyššej úrovni.

Záruka Black & Decker 2 roky

Blažujeme Vám k zakúpeniu tohto kvalitného výrobku Black&Decker.

Náš záväzok ku kvalite zahŕňa v sebe samozrejme tiež naše služby zákazníkom.

Preto ponúkame záručnú dobu ďaleko presahujúcu minimálne požiadavky vyplývajúce zo zákona.

Kvalita tohto prístroja nám umožňuje ponúknuť Vám **2 ročnú záruku istoty**. Ak sa objavia akékoľvek materiálové, alebo výrobné chyby v priebehu 24 mesiacov od zakúpenia prístroja, ručíme za ich bezplatné odstránenie, prípadne, podľa nášho uváženia, bezplatnú výmenu prístroja za nasledujúcich podmienok:

- Prístroj bude dopravený (spolu s originálnym záručným listom Black&Decker a s dokladom o nákupe), do jedného z poverených servisných stredísk Black&Decker, ktoré sú autorizované na vykonávanie záručných opráv.
- Prístroj bol používaný iba s originálnym príslušenstvom alebo prídavnými zariadeniami a príslušenstvom BBW či Piranha, ktoré je vyslovene odporúčané ako vhodné na použitie spolu s prístrojom Black&Decker.
- Prístroj bol používaný a udržiavaný v súlade s návodom na obsluhu.
- Prístroj nevykazuje žiadne príčiny poškodenia spôsobené opotrebovaním.

Naviac servis Black&Decker poskytuje na všetky vykonávané prevedené opravy a vymenené náhradné diely ďalšiu servisnú záručnú dobu v trvaní 6 mesiacov.

Záruka sa nevzťahuje na spotrebné príslušenstvo (vrtáky, skrutkovacie nástavce, pílové kotúče, hobľovacie nože, brúsne kotúče, pílové listy,

brúsny papier a pod.) ani na príslušenstvo prístroja poškodené opotrebovaním.

Toto náradie nie je vhodné pre profesionálne použitie.

Black & Decker

Stará Vajnorská cesta 16

832 44 Bratislava

Tel.: 02 446 38 121

Fax: 02 446 38 122

informacie@blackanddecker.sk

Právo na prípadné zmeny vyhradené.

11/2006

Область применения

Ваш триммер GL701, GL716, GL720, GL741 Black & Decker предназначен для стрижки газона и выравнивания его кромок, также для стрижки травы в труднодоступных местах. Данный электроинструмент не предназначен для профессионального применения, предусмотрено только его бытовое использование.

Общие правила безопасности при работе с электроинструментом

- **Внимание!** С целью сведения к минимуму риска поражения электрическим током, получения травмы, возникновения пожара или повреждения электроинструмента, при работе с электроинструментом постоянно следуйте указаниям данного руководства по эксплуатации.
- Перед началом работы внимательно прочтите данное руководство по эксплуатации. Термин „электроинструмент“ во всех приведенных ниже указаниях относится к Вашему электроинструменту.
- Храните данное руководство по эксплуатации в надежном месте, для последующего обращения к нему.
- Перед выполнением любых работ по регулированию, техническому обслуживанию и ремонту электроинструмента, вынимайте вилку кабеля подключения к электросети из штепсельной розетки.

Соблюдайте чистоту и порядок на рабочем месте!

Беспорядок на рабочем месте может привести к несчастному случаю.

Учитывайте влияние окружающей среды!

Не используйте электроинструмент под дождем. Не используйте электроинструмент во влажных или сырых местах. Работайте в условиях хорошей видимости или обеспечьте рабочее место достаточной освещенностью. Не используйте электроинструмент, если есть опасность возгорания или взрыва, например, вблизи легко воспламеняющихся жидкостей или газов.

Не подпускайте близко детей!

Не позволяйте детям, посторонним людям или животным приближаться к рабочему месту, тем более прикасаться к электроинструменту или кабелю подключения к электросети.

Правильно одевайтесь!

Во время работы не носите свободную одежду

и украшения, они могут быть захвачены движущимися частями электроинструмента. При работе на открытом воздухе, надевайте защитные перчатки и крепкую нескользящую обувь. Укройте длинные волосы головным убором или косынкой.

Индивидуальная защита:

Работайте в защитных очках (обычные очки не являются защитными) или в защитной маске. Надевайте пылезащитную маску (респиратор), если при работе образуется пыль или разлетаются частицы обрабатываемого материала. При повышенном уровне шума используйте средства защиты органов слуха (например, наушники или беруши).

Защита от поражения электрическим током

При подключенном к штепсельной розетке электроинструменте, избегайте контактов с заземленными объектами и предметами (например, с мачтами освещения, трубопроводами, ограждениями, емкостями), также с подключенными к электросети другими электроприборами. Электробезопасность может быть значительно повышена при подключении электроинструмента к электросети через устройство (автомат) защитного отключения по току утечки с номинальным током утечки ≤ 30 мА.

Не споткнитесь!

Выберите удобное, устойчивое, постоянно контролируемое Вами положение.

Будьте собраны!

Работайте собранно и ответственно. Руководствуйтесь здравым смыслом. Не используйте электроинструмент, если Вы устали, также если находитесь под влиянием алкоголя или понижающих реакцию лекарственных и других средств.

Используйте устройства для удаления пыли!

Если в комплект поставки Вашего электроинструмента входит устройство для присоединения к пылеотводу или пылесборник, установите его и используйте по назначению.

Не оставляйте регулировочные инструменты!

Следите, чтобы при включении электроинструмента на нем (в нем) не оставались регулировочные и крепежные инструменты (например, гаечные ключи).

Удлинительный кабель

Перед работой осмотрите удлинительный кабель, в случае обнаружения повреждений замените его. При эксплуатации электроинструмента на открытом воздухе,

используйте только удлинительные кабели, предназначенные для таких условий работы (в брызгозащищенном исполнении).

Используйте электроинструмент по назначению!

Используйте электроинструмент по назначению, указанному в данном руководстве по эксплуатации. Не используйте маломощный электроинструмент и принадлежности для выполнения тяжелых работ. Электроинструмент работает надежно и безопасно только при соблюдении параметров, указанных в его технических характеристиках. Не перегружайте электроинструмент. Не используйте электроинструмент для несвойственных ему работ.

Внимание! Использование любых принадлежностей или вспомогательных материалов, также выполнение данным электроинструментом любых видов работ, не рекомендованных данным руководством по эксплуатации, может привести к несчастному случаю.

Проверяйте исправность электроинструмента!

Перед использованием внимательно проверьте электроинструмент и кабель подключения к электросети на отсутствие повреждений.

Проверьте

точность совмещения и легкость перемещения подвижных деталей, целостность деталей, исправность защитных устройств и устройств управления, также любых других элементов электроинструмента, воздействующих на его работу. Следите, чтобы электроинструмент работал в нормальном режиме и по назначению. Не используйте электроинструмент, даже если какая-нибудь одна его деталь повреждена или чрезмерно изношена. Не используйте электроинструмент, если клавиша (кнопка) пускового выключателя не устанавливается в положение включения или выключения. В случае повреждения или чрезмерного износа любых деталей электроинструмента, его ремонт и замену изношенных деталей производите только в авторизованном сервисном центре. Ни в коем случае не пытайтесь ремонтировать электроинструмент самостоятельно!

Вынимайте вилку из электрической розетки!

Во время перерыва в работе, при хранении, также перед сменой обрабатываемого инструмента, принадлежностей или вспомогательных материалов, также перед любыми видами технического обслуживания вынимайте вилку кабеля подключения

к электросети электроинструмента из штепсельной розетки.

Избегайте непреднамеренного пуска!

Не переносите (не передвигайте) электроинструмент, подключенный к штепсельной розетке, держа палец на клавише пускового выключателя. Перед подключением электроинструмента к штепсельной розетке приведите клавишу пускового выключателя в выключенное положение.

Берегите кабель подключения к электросети!

Не переносите электроинструмент, держа его за кабель подключения к электросети, и не используйте кабель подключения к электросети для вытягивания его вилки из штепсельной розетки. Оберегайте кабель подключения к электросети от высокой температуры, нефтепродуктов и острых кромок.

Надежно храните неиспользуемый электроинструмент!

Храните электроинструмент в чистом, сухом и недоступном для детей месте.

Бережно ухаживайте за электроинструментом!

Высокое качество и безопасность работы можно обеспечить только геометрически правильным и чистым сменным режущим инструментом. При смене режущего инструмента и принадлежностей следуйте инструкциям по их эксплуатации. Поверхность рукояток и выключателей электроинструмента должна быть сухой, чистой и не жирной.

Ремонт

Данный электроинструмент изготовлен в полном соответствии с действующими стандартами безопасности. Ремонт электроинструмента производите только в авторизованном сервисном центре с использованием оригинальных запасных частей, в противном случае будет существовать опасность для Вашего здоровья.

Электробезопасность



Данный электроинструмент защищен двойной электроизоляцией, исключающей потребность в заземляющем проводе. Следите за напряжением электрической сети, оно должно соответствовать величине, обозначенной на информационной табличке электроинструмента.

- Не разрешайте молодым или физически слабым людям пользоваться данным электроинструментом без Вашего контроля. Не разрешайте детям играть с электроинструментом.
- При повреждении кабеля подключения к электросети, в целях Вашей безопасности, заменяйте его только в авторизованном сервисном центре.

Дополнительные меры безопасности для триммера

Предупреждающие знаки на электроинструменте:



Перед вводом в эксплуатацию электроинструмента, прочтите полностью данное руководство по эксплуатации.



Работайте в защитных очках или маске!



Не подпускайте посторонних людей и животных к работающему электроинструменту ближе, чем на 6 м.



Не работайте под дождем или при высокой влажности воздуха!

- Работайте только в условиях хорошей видимости или обеспечьте нормальное освещение.
- Перед использованием триммера внимательно проверьте электропроводку и удлинительный кабель на отсутствие повреждений и старения. В случае повреждения или обрыва кабеля подключения к электросети, немедленно выньте его вилку из штепсельной розетки. **НЕ ПРИКАСАЙТЕСЬ К КАБЕЛЮ, ПОКА ОН НЕ ОТСОЕДИНЕН ОТ ЭЛЕКТРОСЕТИ.**
- Не используйте триммер, если его электрокабель поврежден или изношен.
- Используйте для защиты Ваших ног крепкие, нескользящие ботинки или сапоги.
- Используйте для защиты Ваших ног длинные, прочные брюки.
- Перед началом работы освободите газон от палок, камней, проволоки и других препятствий.
- Используйте триммер только в вертикальном положении, с режущим кордом возле поверхности земли. Ни в коем случае не включайте триммер, если он находится в любом другом положении!
- Передвигайтесь во время работы

- с триммером только в медленном темпе. Помните, что свежескошенный газон влажный и скользкий.
- Не работайте на крутых склонах. Стригите траву поперек уклона, ни в коем случае не сверху вниз!
- Ни в коем случае не пересекайте гравийные тропинки и дорожки при работающем триммере!
- Ни в коем случае не касайтесь режущего корда при работающем триммере!
- Не кладите на землю триммер до момента, когда режущий корд полностью остановится.
- Используйте режущий корд, рекомендованный изготовителем триммера. Ни в коем случае не используйте металлические режущие нити или рыболовную леску!
- Будьте внимательны, чтобы случайно не коснуться отсекаателя режущего корда!
- Направляйте кабель подключения к электросети подальше от режущего корда. Постоянно следите за положением кабеля.
- Следите, чтобы Ваши руки и ноги постоянно находились на безопасном расстоянии от режущего механизма, особенно при включении электродвигателя.
- Внимание! После выключения электродвигателя, режущий механизм некоторое время вращается по инерции.
- Ни в коем случае не используйте триммер с поврежденными или дефектными защитными устройствами!
- Следите, чтобы вентиляционные прорези электродвигателя всегда оставались открытыми и чистыми.

Составные части

Ваш триммер может содержать все или некоторые из перечисленных составных частей:

1. Клавиша пускового выключателя
2. Рукоятка основная
3. Зажим кабельный
4. Элемент соединительный входа электропитания
5. Рукоятка вспомогательная
6. Клавиша фиксатора
7. Стойка трубчатая
8. Кожух защитный
9. Отсекатель режущего корда
10. Корпус катушки
11. Корд режущий
12. Упор направляющий

Сборка

Внимание! Перед сборкой убедитесь, что триммер выключен и отсоединен от электросети!

Установка защитного кожуха (Рис. А)

- Отвинтите винты (13) от головки (14).
- Установите защитный кожух (8), как показано на рисунке.
- Надвиньте защитный кожух на головку триммера, до осязаемой фиксации.
- Зафиксируйте защитный кожух винтами.

Внимание! Используйте триммер только при абсолютно правильно установленном защитном кожухе.

Подготовка режущего корда

В состоянии поставки режущий корд прикреплен клейкой лентой к корпусу катушки.

- Удалите клейкую ленту, которой режущий корд (11) прикреплен к корпусу катушки (10).

Подключение триммера к электросети

- Соедините штепсельную муфту (розетку) подходящего удлинительного кабеля с соединительным элементом (вилкой) (4) силового входа триммера.
- Для исключения случайного разъединения штепсельного разъема под воздействием растягивающего усилия, проведите удлинительный кабель через кабельный зажим (3).
- Вставьте вилку удлинительного кабеля в штепсельную розетку электросети.

Внимание! Удлинительный кабель должен быть пригоден для эксплуатации на открытом воздухе (брызгозащищенное исполнение).

Эксплуатация

Внимание! Не форсируйте рабочий процесс! Избегайте перегрузки триммера!

Настройка триммера на стрижку газона или выравнивание кромок (Рис. В - D)

Данный триммер можно использовать для стрижки газона, как показано на Рис. В, также для выравнивания кромок (обрезки выступающей травы вдоль кромок газона и цветочных клумб), как показано на Рис. С.

Режим стрижки (Рис. В и D)

При стрижке головка триммера должна находиться в положении, показанном на Рис. В. Если это не так, поступите следующим образом:

- Нажмите клавишу фиксатора (6).

- Поворачивайте стойку (7), отпустив клавишу фиксатора.
- Когда головка станет на свое место, сработает фиксатор.

Примечание: Стойка может поворачиваться только в одну сторону.

Режим выравнивания кромок (Рис. С и D)

При стрижке кромок головка триммера должна находиться в положении, показанном на Рис. С. Если это не так, поступите следующим образом:

- Нажмите клавишу фиксатора (6).
- Поворачивайте стойку (7), отпустив клавишу фиксатора.
- Когда головка станет на свое место, сработает фиксатор.

Примечание: Стойка может поворачиваться только в одну сторону.

Регулирование высоты триммера (Рис. D)

Данный триммер имеет телескопический механизм, позволяющий установить удобную для Вас высоту. Предусмотрено три размера по высоте. Для регулирования высоты поступите следующим образом:

- Нажмите клавишу фиксатора (6).
- Вытяните стойку (7) без излишнего усилия из корпуса (15) электродвигателя на необходимую длину, отпустив клавишу фиксатора.
- Когда стойка вытянется на необходимую длину, сработает фиксатор.

Включение и выключение

- Для включения триммера, нажмите клавишу пускового выключателя (1).
- Для выключения триммера, отпустите клавишу пускового выключателя.

Внимание! Ни в коем случае не пытайтесь заблокировать клавишу пускового выключателя во включенном положении!

Рекомендации по оптимальному использованию

Общие рекомендации

Для достижения наилучших результатов, стригите только сухую траву.

Стрижка газона

- Держите триммер, как показано на рис. В.
- Равномерно перемещайте триммер из стороны в сторону.
- Высокую траву стригите постепенно, небольшими слоями, начиная сверху.
- Избегайте контакта триммера с твердыми

предметами и нежными растениями.

- Если режущий механизм начинает вращаться медленно, уменьшите нагрузку.

Выравнивание кромок

Наилучшие результаты достигаются при высоте кромок 50 и более миллиметров.

- Не используйте триммер для формирования новых кромок. Для создания новых кромок используйте специально предназначенную для этого лопатку.
- Управляйте триммером, как показано на Рис. С.
- Для получения более короткого среза, немного наклоняйте триммер.

Техническое обслуживание

Ваш триммер рассчитан на работу в течение продолжительного периода времени при минимальном техническом обслуживании. Срок службы триммера увеличивается при правильном уходе за ним и регулярной чистке.

Внимание! Перед любыми видами работ по техническому обслуживанию выключайте триммер и вынимайте вилку кабеля подключения к электросети из штепсельной розетки!

- Регулярно очищайте вентиляционные прорези в корпусе электродвигателя мягкой щеткой или сухой тканью.
- Постоянно очищайте режущий корд и катушку мягкой щеткой или сухой тканью.
- Постоянно удаляйте обрезки травы и отложения грязи с нижней поверхности защитного кожуха, используя затупленный скребок.

Установка новой катушки с кордом (Рис. Е и F)

Новые катушки с режущим кордом можно заказать у продавца Black&Decker (№ для заказа А6495).

- Удерживая лепестки (16) нажатыми, снимите крышку (17) с корпуса (10).
- Извлеките пустую катушку (18) из корпуса.
- Удалите отложения грязи и обрезки травы с крышки и из корпуса.
- Наденьте новую катушку на стержень корпуса. Немного поверните катушку, до ощутимой фиксации.
- Концевую часть одного из режущих кордов направьте в одну из проушин (19). Режущий корд должен выступать из крышки приблизительно на 11 см.

- Концевую часть другого режущего корда направьте в другую проушину. Режущий корд должен выступать из крышки приблизительно на 11 см.
- Совместите лепестки (16) крышки с вырезами (20) в корпусе.
- Надавите крышку на корпус, до ощутимой фиксации.

Внимание! Если концы лески выступают за отсекабель (9), укоротите их, чтобы они только доходили до отсекавателя.

Наматывание нового режущего корда на пустую катушку (Рис. G - I)

Вы можете намотать новый режущий корд на пустую катушку. Режущий корд в мотках можно заказать у продавца Black&Decker (№ для заказа А6171).

- Извлеките пустую катушку, как описано выше.
- Удалите возможные обрезки корда с катушки.
- Намотайте новый режущий корд сначала на верхнюю часть катушки:
 - Направьте 2 см режущего корда в одну из прорезей в верхней части катушки, как показано на рисунке.
 - Наматывайте режущий корд на катушку в направлении указательной стрелки. Следите, чтобы режущий корд наматывался аккуратными витками. Не спутайте его.
 - Если намотанный режущий корд доходит до выреза (21), укоротите корд.
 - Временно закрепите режущий корд в прорезях (22).
- Повторите данный процесс для другого режущего корда на нижней части катушки, как описано выше.

Закрепите режущий корд в неиспользованных прорезях (22).

- Установите катушку на триммер, как описано выше. Не забывайте извлекать режущий корд из прорезей (22).

Внимание! Используйте только оригинальный режущий корд Black&Decker. Проследите, чтобы режущий корд присутствовал на обеих частях катушки.

Возможные неисправности и способы их устранения

В случае возникновения нарушений в работе триммера, выполняйте приведенные ниже

указания. Если неисправность своими силами устранить не удастся, обратитесь в авторизованный сервисный центр Black & Decker.

Внимание! Перед любыми видами работ, описанных в данном разделе, выньте вилку кабеля подключения к электросети из штепсельной розетки.

Триммер работает медленно

- Убедитесь, что корпус катушки вращается свободно. При необходимости тщательно очистьте его и защитный кожух.
- Убедитесь, что длина выступающего из корпуса катушки режущего корда не превышает 11 см. При необходимости обрежьте его, чтобы он доходил только до отсекаателя.

Не работает автоматическая подача режущего корда

- Удерживая лепестки нажатыми, снимите крышку с корпуса.
- Вытягивайте режущий корд до момента, когда он выступит на 11 см из корпуса катушки. Если режущего корда на катушке недостаточно, вставьте новую катушку с кордом, как описано выше.
- Совместите лепестки крышки с вырезами в корпусе катушки.
- Надавите крышку на корпус, до ощущаемой фиксации.
- Если режущий корд выступает за отсекатель, укоротите его, чтобы он доходил только до отсекаателя.

Если автоматическая подача режущего корда все же не производится, попробуйте поступить следующим образом:

- Тщательно очистьте крышку и корпус катушки.
- Извлеките катушку, и проверьте, может ли свободно двигаться рычаг.
- Извлеките катушку, и заново намотайте на нее режущий корд. Режущий корд наматывайте аккуратно, как описано выше. Установите катушку на свое место, как описано выше.

Защита окружающей среды



Если Вы захотите заменить Ваш электроинструмент Black&Decker другим или Вы больше в нем не нуждаетесь, подумайте о защите окружающей среды. Сервисные центры Black&Decker примут



у Вас электроинструмент с гарантией его уничтожения безопасным для окружающей среды способом.

Технические характеристики

	GL701	GL716	GL720	GL741
Напряжение электросети	B~ 230	230	230	230
Потребляемая мощность	Вт 550	580	600	700
Число оборотов на холостом ходу	мин ⁻¹ 6500	6500	6500	6500
Вес	кг 3,2	3,2	3,2	3,2

Декларация соответствия ЕС

Black&Decker заявляет о том, что изделия **GL701, GL716, GL720, GL741** Black & Decker соответствуют стандартам: 98/37/EC, 89/336/EEC, 73/23/EEC, EN 60335, EN 55014, EN 61000, 2000/14/EC, дополнение VIII, газонные триммеры, L ≤ 50 No. 0344, KEMA Quality B.V., Utrechtseweg 310, 6802 ED Arnhem, The Netherlands

Величина звукового давления, измеренная по стандарту 2002/14/EC:

L_{pA} (звуковое давление) 83 дБ
 L_{WA} (акустическая мощность) 96 дБ
 L_{WA} (гарантированная) 99 дБ

Вибрация на рукоятке, измеренная по стандарту EN 786 <2,5 м/с²

Кевин Хьюитт
 (Kevin Hewitt)
 Управляющий
 Spennymoor, County Durham
 DL16 6JG,
 United Kingdom
 1-11-2005

Заявка на патент UK № 059745.6
 Заявка на промышленный образец ЕС
 № 340385-0001 & № 339544-0001

БЛЭК ЭНД ДЕККЕР

гарантийные условия

Уважаемый покупатель!

1. Поздравляем Вас с покупкой высококачественного изделия БЛЭК ЭНД ДЕККЕР и выражаем признательность за Ваш выбор.
- 1.1. Надежная работа данного изделия в течение всего срока эксплуатации - предмет особой заботы наших сервисных служб. В случае возникновения каких-либо проблем в процессе эксплуатации изделия рекомендуем Вам обращаться только в авторизованные сервисные организации, адреса и телефоны которых Вы сможете найти в Гарантийном талоне или узнать в магазине. Наши сервисные станции - это не только квалифицированный ремонт, но и широкий выбор запчастей и принадлежностей.
- 1.2. При покупке изделия требуйте проверки его комплектности и исправности в Вашем присутствии, инструкцию по эксплуатации и заполненный Гарантийный талон на русском языке. При отсутствии у Вас правильно заполненного Гарантийного талона мы будем вынуждены отклонить Ваши претензии по качеству данного изделия.
- 1.3. Во избежание недоразумений убедительно просим Вас перед началом работы с изделием внимательно ознакомиться с инструкцией по его эксплуатации.
- 1.4. Обращаем Ваше внимание на исключительно бытовое назначение данного изделия.
2. Правовой основой настоящей гарантийных условий является действующее Законодательство и, в частности, Закон "О защите прав потребителей".
3. Гарантийный срок на данное изделие составляет 24 месяца и исчисляется со дня продажи через розничную торговую сеть. В случае устранения недостатков изделия, гарантийный срок продлевается на период, в течение которого оно не использовалось.
4. Срок службы изделия - 5 лет (минимальный, установленный в соответствии с Законом "О защите прав потребителей").
5. Наши гарантийные обязательства распространяются только на неисправности, выявленные в течение гарантийного срока и обусловленные производственными и конструктивными факторами.
6. Гарантийные обязательства не распространяются:
 - 6.1. На неисправности изделия, возникшие в результате:
 - 6.1.1. Несоблюдения пользователем предписаний инструкции по эксплуатации изделия.
 - 6.1.2. Механического повреждения, вызванного внешним ударным или любым иным воздействием.
 - 6.1.3. Использования изделия в профессиональных целях и объемах, в коммерческих целях.
 - 6.1.4. Применения изделия не по назначению.

- 6.1.5. Стихийного бедствия.
- 6.1.6. Неблагоприятных атмосферных и иных внешних воздействий на изделие, таких как дождь, снег, повышенная влажность, нагрев, агрессивные среды, несоответствие параметров питающей электросети указанным на инструменте.
- 6.1.7. Использования принадлежностей, расходных материалов и запчастей, не рекомендованных или не одобренных производителем.
- 6.1.8. Проникновения внутрь изделия посторонних предметов, насекомых, материалов или веществ, не являющихся отходами, сопровождающими применение по назначению, такими как стружка опилки и пр. .
- 6.2. На инструменты, подвергавшиеся вскрытию, ремонту или модификации вне уполномоченной сервисной станции.
- 6.3. На принадлежности, запчасти, вышедшие из строя вследствие нормального износа, и расходные материалы, такие как приводные ремни, угольные щетки, аккумуляторные батареи, ножи, пилки, абразивы, пильные диски, сверла, буры и т. п. .
- 6.4. На неисправности, возникшие в результате перегрузки инструмента, повлекшей выход из строя электродвигателя или других узлов и деталей. К безусловным признакам перегрузки изделия относятся, помимо прочих: появление цветов побежалости, деформация или оплавление деталей и узлов изделия, потемнение или обугливание изоляции проводов электродвигателя под воздействием высокой температуры.



Блэк энд Деккер ГмБХ, Блэк энд Деккер
Штрассе, 40, 65510 Идштайн, Германия.

ME 77

03 июня 1999 г.

Область застосування

Ваш тример GL701/GL716/GL720/GL741 виробництва компанії Black & Decker призначений для обробки краю газону, а також для підстригання трави на невеликих ділянках. Цей інструмент призначений лише для побутового використання.

Інструкції з техніки безпеки

- **Попередження!** При використанні інструментів з живленням від електричної мережі необхідно дотримуватись основних заходів безпеки, включаючи наступні, щоб знизити ризик виникнення пожежі, ураження електричним струмом, травм та матеріальних втрат.
- Перед використанням інструменту уважно прочитайте все керівництво.
- Зберігайте це керівництво для отримання інформації в подальшому.
- Витягуйте вилку з розетки перед виконанням будь-яких налаштувань, ремонту та обслуговування.

Тримайте робоче місце чистим

Неупорядковані робочі зони, сторонні предмети та лавки збільшують ймовірність нещасного випадку.

Звертайте увагу на умови навколишнього середовища в місці роботи

Не залишайте інструмент під дощем. Не використовуйте інструмент за умов підвищеної вологості. Робоче місце має бути добре освітленим. Не використовуйте інструмент в місцях, де є ризик виникнення пожежі або вибуху, наприклад, в присутності вибухонебезпечних рідин та газів.

Діти не повинні знаходитися поблизу від робочої зони

Не дозволяйте дітям, стороннім особам та тваринам заходити в робочу зону та торкатися інструменту або кабелю живлення.

Вдягайтеся відповідним чином

Не вдягайте вільний одяг та прикраси, тому що вони можуть потрапити в рухомі частини машини. Бажано вдягати гумові рукавички та неслизьке взуття при роботі на вулиці. Вдягайте захисний головний убір для захисту волосся, щоб довге волосся не потрапило в машину.

Особистий захист

Завжди використовуйте захисні окуляри. Завжди використовуйте маску або протипиловий респіратор, якщо робота пов'язана з утворенням пилу або літаючих частинок. Необхідно використовувати

засоби захисту слуху (наприклад навушники).

Уникайте обставин, що можуть призвести до ураження електричним струмом

Уникайте контакту з заземленими поверхнями (наприклад, труби тощо). Електробезпека може бути значно підвищена при підключенні інструменту до електромережі через пристрій (автомат) захисного відключення за струмом витoku з номінальним струмом витoku ≤ 30 мА.

Не перенапружуйтеся

Завжди утримуйте правильну постановку ніг і рівновагу.

Завжди будьте наготові

Слідкуйте за тим, що ви робите. Завжди використовуйте здоровий глузд. Не використовуйте інструмент, коли ви втомлені.

Зніміть налаштувальні ключі та гайкові ключі

Не забувайте перевірити, що всі налаштувальні ключі або гайкові ключі зняті з інструменту перед тим, як вмикати електричний інструмент.

Кабельні подовжувачі

Перед використанням перевірте кабельні подовжувачі та замініть їх у разі пошкодження.

При використанні інструменту на вулиці використовуйте лише подовжуючі кабелі, призначені для використання на вулиці. Кабелі виробництва компанії Black & Decker довжиною до 30 м не призводять до втрати потужності.

Використовуйте відповідний інструмент

Використання за призначенням описане в цьому керівництві. Не примушуйте малопотужні інструменти чи знаряддя виконувати роботу великих інструментів. Правильно обраний механізований інструмент виконає завдання для яких він був розроблений, краще та безпечніше. Не використовуйте надмірну силу при роботі з інструментом. Не використовуйте інструмент не за призначенням.

Попередження! Використання будь-яких аксесуарів, додаткових інструментів або виконання непередбачених цим керівництвом дій може призвести до травм.

Перевіряйте на наявність пошкоджених деталей

Перед використанням уважно перевіряйте інструмент та кабель на наявність пошкоджень. Перевіряйте на відсутність або заїдання рухомих деталей, пошкоджених деталей та інших умов, що можуть впливати на роботу інструменту. Переконайтесь, що інструмент працює відповідним чином та виконує передбачені функції.

Не використовуйте інструмент, якщо якась деталь пошкоджена або несправна. Не використовуйте інструмент, при несправному вимикачі. Пошкоджені або дефектні деталі повинні бути відремонтовані в сертифікованому сервісному центрі. Ніколи не намагайтеся виконувати ремонт самостійно.

Вимкніть інструмент з розетки

Не залишайте інструмент ввімкнений в розетку, коли ви його не використовуєте, перед заміною деталей інструменту, аксесуарів та додаткових інструментів та перед обслуговуванням.

Уникайте випадкового пуску

Не переносьте інструмент, тримаючи палець на вимикачі. Переконайтеся, що інструмент вимкнено перед включенням його в розетку.

Не пошкоджуйте кабелі

Ніколи не переносьте інструмент, тримаючи його за кабелі, та не тягніть кабелі, витягуючи вилку з розетки. Оберегайте шнур від перегрівання, від потрапляння на нього жиру та контакту з гострими предметами.

Зберігання інструментів, що не використовуються

Інструменти, коли вони не використовуються, необхідно зберігати в сухому, замкнутому, або недоступному для дітей, місці.

Дбайливе обслуговування інструментів


Виконуйте інструкції, що стосуються технічного обслуговування та заміни аксесуарів. Тримайте ручки та вимикачі сухими, чистими, нежирними.

Ремонт

Цей інструмент відповідає вимогам з техніки безпеки. Ремонт повинен виконуватися кваліфікованими спеціалістами з використанням оригінальних запасних частин; інакше може виникнути значна небезпека для користувача.

Електрична безпека

Цей інструмент має подвійну ізоляцію, тому заземлення не

 є необхідним. Завжди перевіряйте, що джерело живлення відповідає напрузі, що вказана на табличці з паспортними даними.

- Цей пристрій не призначений для використання підлітками та хворими людьми без нагляду. Необхідно наглядати за дітьми, щоб вони не гралися з цим обладнанням.
- Якщо кабель пошкоджений, його необхідно замінити, звернувшись до виробника або до офіційного сервісного центру компанії Black & Decker, щоб уникнути небезпеки.

Додаткові інструкції з техніки безпеки для мотокосарки

На інструменті є наступні попереджуючі символи



Прочитайте ці інструкції перед використанням.



Використовуйте захисні окуляри при роботі з інструментом.



Не дозволяйте людям та тваринам знаходитись ближче, ніж на відстані 6 м від місця зрізання трави.



Не залишайте інструмент під дощем та в умовах підвищеної вологості.

- Ознайомтесь з елементами управління та методами застосування інструменту.
- Використовуйте інструмент лише вдень або за умов гарного штучного освітлення.
- Перед використанням перевірте кабель живлення та подовжуючий шнур на наявність пошкоджень або ознак зносу. Якщо шнур пошкоджується під час використання, негайно від'єднайте його від електромережі. **НЕ ТОРКАЙТЕСЬ ШНУРА, ДОКИ ВІН НЕ ВІД'ЄДНАНИЙ ВІД ЕЛЕКТРОМЕРЕЖІ.**
- Не використовуйте тример якщо шнур пошкоджений або зношений.
- Підберіть міцне неслизьке взуття для захисту ніг.
- Вдягайте довгі брюки, щоб захистити ноги.
- Перед використанням інструменту перевірте, що в зоні, де Ви збираєтесь косити, немає гілок, каміння, дроту та інших перешкод.
- Використовуйте інструмент лише в вертикальному положенні, щоб ріжучий елемент був біля землі. Ніколи не вмикайте інструмент в іншому положенні.
- Рухайтесь повільно при використанні інструменту. Пам'ятайте, що скошена трава волога та слизька.
- Не працюйте, стоячи на нахиленій поверхні. Рухайтесь по схилу поперек, а не вгору або вниз.
- Ніколи не переходьте гравійні доріжки з увімкненим інструментом.
- Ніколи не торкайтесь ріжучої волосіні, коли інструмент працює.
- Ніколи не кладіть інструмент, доки ріжучий елемент повністю не зупиниться.
- Використовуйте лише відповідний тип ріжучої волосіні. Забороняється використовувати металеву та рибацьку волосінь.

- Ніколи не торкайтесь леза підрізного ножа.
- Зверніть увагу на те, щоб кабель знаходився на безпечній відстані від ріжучого елемента. Стежте за положенням кабелю при роботі.
- Тримайте руки та ноги подалі від ріжучих елементів, особливо при ввімкненні мотору.
- Попередження. Ріжучі елементи продовжують обертатися після вимкнення мотору.
- Ніколи не використовуйте інструмент з пошкодженими запобіжниками або без запобіжників.
- Стежте за тим, що вентиляційні отвори були чистими.

- Зніміть клейку стрічку, утримуючи ріжучу волосінь (11) на корпусі котушки (10).

Підключення інструменту до мережі живлення

- Під'єднайте розетку відповідного подовжуючого кабелю до вилки силового кабелю тримеру (4).
- Закріпіть кабель у фіксаторі (3).
- Підключіть мережний кабель до мережі живлення.

Попередження! Використовуйте подовжуючий шнур, що призначений для використання поза приміщенням.

Використання

Попередження! Інструмент має працювати з передбаченою швидкістю. Не перевантажуйте його.

Налаштування інструменту для підстригання трави і вирівнювання краю (рис. В - D)

Ваш інструмент може бути використаний для підстригання трави, як показано на рис. В, для вирівнювання краю газону або квіткових клумб, як показано на рис. С.

Підстригання трави (рис. В і D)

Для підстригання трави, головка косарки повинна знаходитися в положенні, як показано на рис. В. Якщо це не так:

- Натисніть на кнопку (6).
- Поверніть головку косарки (7) та відпустіть кнопку.
- Коли головка встане на місце, кнопка автоматично заблокується.

Примітка: Трубка може повертатися лише в одну сторону.

Вирівнювання краю (рис. С і D)

Для вирівнювання краю, голівка косарки повинна знаходитися в положенні, як показано на рис. С. Якщо це не так:

- Натисніть на кнопку (6).
- Поверніть головку косарки (7) та відпустіть кнопку.
- Коли головка встане на місце, кнопка автоматично заблокується.

Примітка: Трубка може повертатися лише в одну сторону.

Налаштування довжини інструменту (рис. D)

Ваш інструмент має телескопічний корпус, що дозволяє Вам встановити оптимальну довжину інструменту. Передбачено три фіксовані довжини. Щоб налаштувати довжину, виконайте наступне:

Деталі

Цей інструмент має деякі чи всі деталі з нижче вказаних.

1. Вимикач
2. Ручка
3. Фіксатор кабелю
4. Вхід електроживлення
5. Додаткова ручка
6. Кнопка налаштування
7. Трубка
8. Захисний кожух
9. Підрізний ніж
10. Корпус для котушки
11. Ріжуча волосінь
12. Направляюча для підрізання краю газону

Зборка

Попередження! Перед зборкою переконайтеся, що інструмент вимкнено та вилка витягнута з розетки.

Встановлення захисного кожуха (рис. А)

- Вкрутіть кріпильні гвинти (13) з голівки (14).
- Розташуйте захисний кожух (8) на інструменті, як показано на малюнку.
- Добре натисніть на захисний кожух, доки він не встане на місце.
- Закріпіть захисний кожух за допомогою кріпильних гвинтів.
- Затягніть гвинти за допомогою торцевого ключа (15), що входить в комплект.

Попередження! Не використовуйте інструмент, якщо захисний кожух встановлено не правильно.

Підготовка ріжучої волосіні до роботи

При транспортуванні ріжуча волосінь приклеєна до корпусу котушки.

- Натисніть на кнопку (6).
- Повільно змініть положення трубки (7) на бажану довжину та відпустіть кнопку.
- Коли трубка встане на місце, кнопка автоматично заблокується.

Вмикання та вимкання

- Натисніть на перемикач (1), щоб ввімкнути інструмент.
- Відпустіть перемикач, щоб вимкнути інструмент.

Попередження! Не намагайтесь заблокувати перемикач в у включному положенні.

Примітки для оптимального використання

Загальне

- Для досягнення найкращих результатів, рекомендовано підстригати тільки суху траву.

Підстригання трави

- Тримайте інструмент, як показано на рис. В.
- Повільно пересувайте косарку з сторони в сторону.
- Підстригання високої трави треба робити поетапно, починаючи зверху. Робіть невеликі зрізи.
- Тримайте косарку на безпечній відстані від твердих предметів та нижніх рослин.
- Якщо ріжуча частина починає обертатися повільніше, зменшіть навантаження.

Вирівнювання краю

Оптимальна якість роботи досягається при висоті краю більше за 50 мм.

- Не використовуйте Ваш інструмент для формування нових кромок. Застосуйте для цього спеціальну лопатку.
- Направляйте інструмент, як показано на рис. С.
- Дія більш короткого зрізу, трохи нахиліть інструмент.

Технічне обслуговування

Ваш інструмент призначений для роботи протягом довгого часу з мінімальним обслуговуванням. Постійна задовільна робота залежить від правильного догляду за інструментом та регулярної очистки.

Попередження! Перед проведенням технічного обслуговування, вимкніть інструмент та від'єднайте його від розетки.

- Регулярно очищуйте вентиляційний отвір за допомогою м'якої щітки або сухої ганчірки.
- Регулярно очищуйте ріжучу волосінь і котушку, використовуючи м'яку щітку або суху ганчірку.

- За допомогою тупого шкребка, регулярно видаляйте бруд з-під захисного кожуха.

Встановлення нової котушки з ріжучою волосінню (рис. E і F)

Запасні котушки можна придбати у дилерів компанії Black & Decker (кат. №. A6495).

- Натисніть на фіксатори (17) і від'єднайте кришку котушки (18) від корпусу (10).
- Витягніть порожню котушку (19) з корпусу.
- Видаліть бруд та траву з кришки та корпусу.
- Візьміть нову котушку та встановіть її на втулку корпусу котушки. Трохи поверніть котушку, щоб вона встала на місце.
- Від'єднайте кінець однієї ріжучої волосіні й пропустіть його в один з отворів (20). Волосінь повинна виступати приблизно на 11 см з корпусу котушки.
- Від'єднайте кінець іншої ріжучої волосіні й пропустіть його в другий отвір. Волосінь повинна виступати приблизно на 11 см з корпусу котушки.
- Вирівняйте фіксатори (17) на корпусі котушки відносно виступів (21) корпусу.
- Натисніть на кришку, щоб вона встала на своє місце на корпусі.

Попередження! Якщо ріжучі волосіні виступають за лезо (9), обріжте їх так, щоб вони тільки доходили до нього.

Намотка нової волосіні на порожню котушку (рис. G - I)

Ви можете намотати ріжучу волосінь на порожню котушку.

Запасні комплекти волосіні можна придбати у дилерів компанії Black & Decker (кат. №. A6171).

- Витягніть порожню котушку, як показано вище.
- Витягніть всю волосінь, що залишилася, з котушки.
- Спочатку намотайте нову волосінь на верхню частину котушки:
 - Просуньте 2 см ріжучої волосіні в один з отворів верхньої частини котушки, як показано на рисунку.
 - Намотайте волосінь на котушку в напрямку, що вказано стрілкою. Намотуйте волосінь обережно та шарами. Не заплутуйте її.
 - Коли останній намотаний шар волосіні буде на рівні пазів (22), обріжте волосінь.
 - Тимчасово закріпіть волосінь в пази (23), як показано на рисунку.

- Повторіть процедуру для другої ріжучої волосіні та нижньої частини катушки. Закріпіть кінець в пазу (23), що не використовується.
- Встановіть катушку, як було описано вище. Не забудьте витягти волосінь з пазів (23).

Попередження! Використовуйте лише відповідну ріжучу волосінь компанії Black & Decker. Переконайтеся, що волосінь є в обох частинах катушки.

Усунення несправностей

Якщо Вам здається, що Ваш інструмент працює невірно, виконайте інструкції, що наводяться нижче. Якщо Вам не вдалося вирішити проблему, будь ласка, зверніться в регіональний сервісний центр Black&Decker.

Попередження! Перед виконанням операцій, від'єднайте інструмент від мережі живлення.

Інструмент працює повільно

- Переконайтеся в тому, що корпус катушки вільно обертається. При необхідності обережно прочистіть його.
- Ріжуча волосінь не повинна бути відмотана більше, ніж 11 см від катушки. Обріжте її при необхідності, щоб вона доходила до леза.

Не працює механізм автоматичної подачі волосіні

- Натисніть на фіксатори і від'єднайте кришку катушки від корпусу.
- Відмотайте ріжучу волосінь на 11 см від корпусу. Якщо катушка має мало волосіні, встановіть нову катушку з ріжучою волосінню, як описано вище.
- Вирівняйте фіксатори на корпусі катушки відносно виступів корпусу.
- Натисніть на кришку, щоб вона встала на своє місце на корпусі.
- Якщо ріжуча волосінь виступає за лезо, обріжте її так, щоб вона тільки доходила до нього.

Якщо механізм автоматичної подачі волосіні все ж не працює або катушка не прокручується, спробуйте наступне:

- Обережно прочистіть кришку і корпус.
- Витягніть катушку і переконайтеся, що важіль рухається вільно
- Витягніть катушку і розмотайте ріжучу волосінь, а потім намотайте її знов ретельно, як описано вище. Замініть катушку у відповідності до інструкцій.

Захист навколишнього середовища



Цей виріб не має викидатися на смітник із звичайним побутовим сміттям.

Якщо якщо Ви вирішите, що ваш виріб фірми Black & Decker має бути замінено, або він Вам більше не потрібний, не викидайте його на смітник побутового сміття. Зробіть цей виріб доступним для окремого збору.



Збір використаних продуктів та упаковки в окремі контейнери дозволяє переробляти матеріали та використовувати їх вдруге. Повторна переробка матеріалів допомагає попередити забруднення навколишнього середовища та зменшує потребу в сировині.

Місцеві законодавчі акти можуть передбачати окремий збір електричного обладнання в муніципальних місцях для збору сміття або продавцями при покупці нового обладнання.

Компанія Black & Decker має можливість для збору та переробки продуктів власного виробництва після закінчення їхнього терміну служби. Щоб скористатися цією послугою, поверніть виріб компанії в офіційний сервісний центр, які збирають відпрацьовані продукти за наш рахунок.

Ви можете знайти місцезнаходження найближчого до Вас офіційного сервісного центру в гарантійному талоні на трименр. Крім того, список офіційних сервісних центрів компанії Black & Decker з усіма подробицями нашого післяпродажного обслуговування та контактною інформацією міститься в Інтернеті за адресою: www.2helpU.com

Технічні дані

		GL701	GL716	GL720	GL741
Напруга	V _{AC}	230	230	230	230
Споживана потужність	Вт	550	580	600	700
Швидкість без навантаження	хв ⁻¹	6,500	6,500	6,500	6,500
Вага	кг	3.2	3.2	3.2	3.2

Заява про відповідність ЄС**GL701/GL716/GL720/GL741**

Компанія Black & Decker заявляє, що ці продукти відповідають наступним вимогам:
98/37/EC, 89/336/EEC, 73/23/EEC, EN 60335,
EN 55014, EN 61000, 2000/14/EC,
додаток VIII, газонокосарка,
L ≤ 50 № 0344, KEMA Quality B.V.,
Utrechtseweg 310, 6802 ED Арнхем,
Нідерланди

Рівень звукового тиску, що вимірюється згідно
з N ISO 2002/14/EC:

L_{pA} (звуковий тиск) 81 дБ(А),
 L_{WA} (звукова потужність) 95 дБ(А),
 L_{WA} (гарантовано) 96 дБ(А)

Вібрація при навантаженні на руку
згідно з EN 786: < 2,5 м/сек²



Кевін Хьюїт (Kevin Hewitt)
Директор з виробництва
побутової техніки
Спеннімуп, графство Дарем
DL16 6JG, Великобританія
1-11-2005

Заява на патент Великобританії № 059745.6
Промисловий стандарт Європейської
Співдружності №
340385-0001 & 339544-0001

БЛЕК ЕНД ДЕККЕР

гарантійні умови

Шановний покупець!

1. Вітаємо Вас з покупкою високоякісного виробу компанії Black & Decker та виражаємо Вам свою вдячність за Ваш вибір.
- 1.1. Надійна робота цього виробу на протязі всього терміну експлуатації є предметом особливої турботи наших сервісних служб. У випадку виникнення якихось проблем в процесі експлуатації виробу ми рекомендуємо Вам звертатися лише в авторизовані сервісні організації, адреси та телефони яких Ви зможете знайти в Гарантійному талоні або дізнатися в магазині. Наші сервісні центри – це не тільки кваліфікований ремонт, але і широкий вибір запчастин та аксесуарів.
- 1.2. При покупці виробу вимагайте перевірки його комплектності та справності за Вашої присутності, наявності інструкції з експлуатації та заповненого Гарантійного талону на українській мові. За умови відсутності у Вас правильно заповненого Гарантійного талону ми будемо вимушені відхилити Ваші претензії щодо якості цього виробу.
- 1.3. Щоб уникнути всіх непорозумінь щиро просимо Вас перед початком роботи з виробом уважно ознайомитись з інструкцією щодо його експлуатації.
- 1.4. Звертаємо Вашу увагу на виключно побутове призначення цього виробу.
2. Правовою основою даних гарантійних умов є діюче Законодавство та, зокрема, Закон "Про захист прав споживачів".
3. Гарантійний термін на даний виріб складає 24 місяці та починається з дня продажу через роздрібну торгову мережу. У випадку усунення недоліків виробу гарантійний термін продовжується на період, протягом якого виріб не використовувався.
4. Термін служби виробу - 5 років (мінімальний, встановлений у відповідності до Закону "Про захист прав споживачів").
5. Наші гарантійні зобов'язання поширюються тільки на несправності, виявлені протягом гарантійного терміну та обумовлені виробничими та конструктивними факторами.
6. Гарантійні зобов'язання не поширюються:
 - 6.1. На несправності виробу, що виникли в результаті:
 - 6.1.1. Недотримання користувачем вказівок інструкції з експлуатації виробу.
 - 6.1.2. Механічних пошкоджень, викликаних зовнішнім ударним або іншим впливом.
 - 6.1.3. Використання виробу в професійних цілях та об'ємах, в комерційних цілях.
 - 6.1.4. Застосування виробу не за призначенням.
 - 6.1.5. Стихійного лиха.
 - 6.1.6. Несприятливому атмосферному та інших зовнішніх впливах на виріб, таких як дощ, сніг, підвищена вологість, нагрів, агресивні середовища, невідповідність параметрів електромережі параметрам, вказаним на інструменті.
 - 6.1.7. Використання аксесуарів, витратних матеріалів та запчастин, які не рекомендовані або не схвалені виробником.
 - 6.1.8. Проникнення всередину інструменту сторонніх предметів, комах, матеріалів або речовин, що не є відходами, які супроводжують використання інструменту за призначенням, наприклад, трави.
 - 6.2. На інструменти, що були відкриті, піддані ремонту або модифікації поза уповноваженим сервісним центром.
 - 6.3. На приналежності, запчастини, що вийшли з ладу внаслідок нормального зносу, та витратні матеріали, такі як, приводні ремені, вугільні щітки, ножі, ріжуча волосін та катушка.
 - 6.4. На несправності, які виникли в результаті перевантаження інструменту, що призвело до виходу з ладу електродвигуна або інших вузлів та деталей. До безумовних ознак перевантаження виробу належать, зокрема: поява кольорів мінливості, деформація або оплавлення деталей та вузлів виробу, потемніння або обуглювання ізоляції дротів електродвигуна під впливом високої температури.

03 червня 1999 р.

Kullanım Amacı

Black & Decker misinalı çim kesme makineleri GL701/GL716/GL720/GL741, ufak çimenlik alanlarda ve çiçeklik, ağaç kenarlarındaki çimleri kesmek için tasarlanmıştır. Elektrikli çim kesme makineleri yerine kullanılamaz. Hafif hizmet ve hobi kullanımı içindir.

Güvenlik talimatları

- **Uyarı!** Şebeke elektriğiyle çalışan aletleri kullanırken, yangın, elektrik çarpması, kişisel yaralanma ve malzeme hasarı riskini azaltmak için aşağıda belirtilenler de dahil olmak üzere temel güvenlik tedbirleri alınmalıdır.
- Aleti çalıştırmadan önce bu kullanım kılavuzunun tamamını dikkatli bir şekilde okuyun.
- Bu kullanım kılavuzunu, daha sonra başvurmak üzere saklayın.
- Herhangi bir ayarlama, servis veya bakım işlemini yapmadan önce aletin fişini prizden çekin.

Çalışma alanını temiz tutun

Sıkışık alanlar veya tezgahlar kazalara yol açabilir.

Çalışma alanı ortamını gözden geçirin

Aleti yağmura maruz bırakmayın. Aleti nemli veya ıslak koşullarda kullanmayın. Çalışma alanı aydınlatmasının iyi olmasına özen gösterin. Aleti, örneğin yanıcı sıvılar ve gazların bulunduğu ortamlar gibi yangın veya patlama riski taşıyan yerlerde kullanmayın.

Çocuklardan uzak tutun

Çocukların, ziyaretçilerin veya hayvanların çalışma alanına yaklaşmasına veya alete ya da elektrik kablosuna dokunmasına izin vermeyin.

Uygun şekilde giyinin.

Hareketli parçalara dolanabileceği için sarkan giysiler giymeyin veya mücevher takmayın. Açık havada çalışırken, lastik eldivenler ve kaymayan ayakkabılar giyin. Uzun saçlıların koruyucu saç bandı takmaları tavsiye edilir.

Kişisel korunma

Daima güvenlik gözlükleri takın. Yaptığınız işlemlerin toz veya uçan nesnelere açığa çıkartabileceği hallerde yüz veya toz maskesi kullanın. Ses şiddetli rahatsız edici düzeydeyse kulaklık takın.

Elektrik çarpmasına karşı korunma

Topraklanmış yüzeylerle (örneğin, borular, radyatörler, ocaklar ve buzdolapları) vücut temasından kaçının. Elektrik güvenliği, yüksek duyarlılıklı (30 mA / 30 mS) bir artık akım cihazı (RCD) kullanılarak daha da artırılabilir.

Ulaşmakta zorlandığınız yerlerde kullanmayın

Daima sağlam ve dengeli basın.

Her zaman dikkatli olun

Yaptığınız işe konsantre olun. Sağduyulu davranın. Yorgunken aleti kullanmayın.

Üzerinde çalıştığınız parçayı sabitleyin

Üzerinde çalıştığınız parçayı kelepçeler veya menşene ile sabitleyin. Bu daha emniyetli bir çalışma olup her iki elinizin de aleti kullanmak için serbest kalmasını sağlar.

Toz atma bağlantısı kullanın

Eğer kullandığınız üründe toz emme ve üfleme özelliği olan adaptör varsa onun gerekli aletlere bağlanmasını ve doğru fonksiyonunu sağlayın.

Ayarlama anahtarlarını çıkartın

Aleti çalıştırmadan önce, ayarlama anahtarlarını çıkartıp çıkartmadığınızı daima kontrol edin.

Uzatma kablolarının kullanımı

Kullanımdan önce bu kabloları kontrol edin, bir hasar tespit ettiğinizde onları değiştirin. Aleti açık mekanda kullanıyorsanız, sadece açık alanda kullanıma uygun uzatma kablosunu kullanın; bu tür kablolar bu şekilde işaretlenmelidir. 30 m'ye kadar Black & Decker uzatma kablosu, güç kaybı yaşanmadan kullanılabilir.

Uygun aleti kullanın

Kullanım amacı bu kullanım kılavuzunda açıklanmıştır. Küçük aletleri veya aksesuarları ağır iş aletlerinin yapabileceği işleri yapmaya zorlamayın. Alet, öngörüldüğü kullanım amacı doğrultusunda görevini daha iyi ve daha güvenli bir şekilde yerine getirecektir. Aleti zorlamayın. Aleti kullanım amaçları dışında kullanmayın; örneğin, bir daire testereyi ağaç dalları veya kütükleri kesmek için kullanmayın.

Uyarı! Herhangi bir aksesuarın veya bağlantının ya da işlemin, bu kılavuzda tavsiye edilen şekilden başka bir şekilde kullanılması şahısların yaralanmalarına yol açabilir.

Hasarlı parça olup olmadığını kontrol edin

Kullanmadan önce, alette ve elektrik kablosunda hasar olup olmadığını dikkatli bir şekilde kontrol edin. Hareketli parçalardaki hizalama hatalarını ve tutuklukları, parçalardaki kırılmaları, mahfazalarda ve düğmelerdeki hasarı ve aletin çalışmasını etkileyebilecek tüm diğer koşulları kontrol edin. Aletin uygun şekilde çalışacağından ve öngörülen fonksiyonlarını yerine getireceğinden emin olun. Herhangi bir parçası hasarlı veya kusurlu ile aleti kullanmayın. Düşme açmıy ve kapatmıyorsa aleti kullanmayın. Hasarlı veya kusurlu parçaların Black & Decker yetkili servisinde onarılmasını veya değiştirilmesini sağlayın. Kesinlikle kendiniz hiçbir tamir işlemine kalkışmayın.

Aletin fişini çekin

Bakım yapmadan, aksesuarlar, ek parçalar veya aletin veya makinenin bir parçasını değiştirmeden önce her zaman aletin elektrik şebekesiyle olan bağlantısını kesin.

Aletin istem dışı çalıştırılmasını engelleyin

Aleti, parmağınızı açma/kapama düğmesinde tutarak taşımayın. Elektrik şebekesine bağlamadan önce aletin kapalı olduğundan emin olun.

Elektrik kablosunu uygun olmayan amaçlarla kullanmayın

Aleti, kesinlikle kablodan tutarak taşımayın veya prizden çıkartmak için kablodan çekmeyin. Kabloyu sıcağın, yağdan ve keskin kenarlardan uzak tutun.

Kullanmadığınız aletleri saklayın

Aletler, kullanılmadıkları zamanlarda kuru, kilitleti veya çocukların ulaşamayacağı yüksek bir yerde saklanmalıdır.

Aletleri özenle kullanın

Daha iyi performans alabilmek için kesim aletlerini keskin ve temiz muhafaza edin. Bakım ve aksesuarların değiştirilmesiyle ilgili talimatlara uyun. Kolları ve düğmeleri kuru, yağsız ve gressiz tutun.

Tamiratlar

Bu alet konusuna ait emniyet talimatlarına uygundur. Tamir işlemleri sadece orijinal yedek parçalar kullanılarak Black & Decker yetkili servisleri tarafından yapılmalıdır; aksi takdirde bu, kullanıcı için ciddi tehlikelere yol açabilir.

Elektrik güvenliği



Bu alet çift yalıtımlıdır; bu nedenle, topraklama kablosuna gerek yoktur. Her zaman şebeke geriliminin aletin üretim etiketinde belirlenmiş değerlere uyup uymadığını kontrol edin.

- Bu alet, küçük yaşlı veya güçsüz kişilerce denetimsiz olarak kullanım için tasarlanmamıştır. Çocuklar, aletle oynamalarının önlemek için kontrol altında tutulmalıdır.
- Elektrik kablosu hasarlı ise, bir tehlike oluşmasını önlemek için üretici ya da yetkili Black & Decker Servis Merkezi tarafından değiştirilmelidir.

Çim biçme makineleri için ek güvenlik talimatları

Alet üzerinde, aşağıdaki uyarı sembolleri bulunmaktadır:



Aleti çalıştırmadan önce kullanım kılavuzunu okuyun.



Bu aleti kullanırken koruyucu gözlük kullanın.



İnsanları ve hayvanları kesim alanından en az 6 m uzakta tutun.



Aleti yağmura veya neme maruz bırakmayın.

- Donanımın kumandalarını ve uygun şekilde kullanımını öğrenin.
- Cihazı yalnızca gün ışığında veya iyi bir aydınlatma altında kullanın.
- Kullanmadan önce, besleme ve uzatma kablosunda hasar veya eskime olup olmadığını kontrol edin. Kablo kullanım sırasında hasar görmüşse, kabloyu derhal fişten çekin. **KABLOYU FİŞTEN ÇEKMEYEN ÖNCE KABLOYA DOKUNMAYIN.**
- Kablo hasar görmüş ve aşınmışsa çim biçme makinesini (kenar kesme makinesi), kullanmayın.
- Ayaklarınızı korumak için sağlam ayakkabılar veya botlar giyin.
- Bacaklarınızı korumak için uzun pantolon giyin.
- Aleti kullanmadan önce, kesim yolunuzda çalı parçaları, taşlar, tel ve başka herhangi bir engel olup olmadığını kontrol edin.
- Aleti, sadece dik konumda ve misina yere yakın olarak kullanın. Aleti kesinlikle başka hiçbir konumda açmayın.
- Aleti kullanırken yavaş hareket edin. Yeni kesilmiş çim nemli ve kaygan olduğunu unutmayın.
- Dik eğimlerde çalışmayın. yukarı ve aşağı doğru değil, eğim yüzeyi boyunca çalışın.
- Alet çalışır dururken kesinlikle çakıllı patikalardan veya yollardan geçmeyin.
- Alet çalışırken hiçbir zaman misinaya dokunmayın.
- Misina tamamen durmadan aleti yere koymayın.
- Daima uygun tipte misina kullanın. Kesinlikle metal misina veya misina kullanmayın. Misina kesim bıçağına kesinlikle dokunmayın.
- Şebeke kablosunu misinadan uzak tutmaya dikkat edin. Kablonun konumuna daima dikkat edin.
- Ellerinizi ve ayaklarınızı, özellikle motoru çalıştırırken kesim aracından daima uzakta tutun.

- Uyarı. Motor kapatıldıktan sonra kesim elemanları dönmeye devam eder.
- Siperlikleri zarar gördüğünde veya yerine takılı olmadığında hiçbir zaman makineyi çalıştırmayın.
- Havalandırma deliklerinde herhangi bir birikinti olmadığından daima emin olun.

ÖZELLİKLER

Bu alet, aşağıdaki özelliklerin bir kısmını veya tümünü içermektedir.

1. Açma/kapama düğmesi
2. Kol
3. Kablo tutucu
4. Güç girişi
5. Yardımcı kol
6. Ayarlama düğmesi
7. Boru
8. Siperlik
9. Misina düzeltme bıçağı
10. Makara muhafazası
11. Misina
12. Uç siperlik

Montaj

Uyarı! Montajdan önce aletin kapalı ve fişinin çekilmiş olduğundan emin olun.

Siperliğin takılması (Şekil A)

- Allen vidalarını (13) kafadan (14) çıkarın.
- Mahfazayı (8) gösterilen şekilde aletin üzerine yerleştirin.
- Yerine oturana kadar mahfazaya bastırın.
- Allen vidalarıyla mahfazayı sabitleyin.
- Aletle birlikte gelen Allen anahtarını (15) kullanarak Allen vidalarını sıkın.

Uyarı! Aleti, siperlik uygun şekilde takılı değilken kesinlikle kullanmayın.

Misininin çıkartılması

Misina, makara muhafazasına bantlanmıştır.

- Misinayı (11) makara muhafazasına (10) tespit eden bandı çıkartın.

Aletin şebeke elektriğine bağlanması

- Uygun bir uzatma kablosunun dışı fişini güç girişine (4) takın.
- Kabloyu kablo tutucusundan (3) geçirin.
- Şebeke fişini bir şebeke prizine takın.

Uyarı! Uzatma kablosu açık havada kullanıma uygun olmalıdır.

Kullanımı

Uyarı! Aletin kendi hızında çalışmasına izin verin. Aşırı yüklenmeyin.

Aletin normal kesme veya kenar kesme moduna getirilmesi (Şekil B - D)

Alet, şekil B'de gösterildiği gibi normal kesme modunda veya şekil C'de gösterildiği gibi bahçenin kenarlarından ve çiçek yataklarından sarkan çimleri kesmek için kenar kesme modunda kullanılabilir.

Normal kesme modu (Şekil B & D)

Normal kesme modu için, kesim kafası şekil B'de gösterilen konumda olmalıdır. Değilse:

- Ayar düğmesine (6) basın.
- Düğmeyi bırakırken boruyu (7) döndürün.
- Kafa ilgili konuma geldiğinde düğme yerine kilitlenecektir.

Not: Boru yalnızca tek bir yönde dönecektir.

Kenar kesme modu (Şekil C & D)

Kenar kesme modu için, kesim kafası şekil C'de gösterilen konumda olmalıdır. Değilse:

- Ayar düğmesine (6) basın.
- Düğmeyi bırakırken boruyu (7) döndürün.
- Kafa ilgili konuma geldiğinde düğme yerine kilitlenecektir.

Not: Boru yalnızca tek bir yönde dönecektir.

Aletin yüksekliğinin ayarlanması (Şekil F)

Bu alet, en rahat çalışabildiğiniz yüksekliğe göre ayarlamaya olanak veren teleskobik bir mekanizmaya sahiptir. Üç yükseklik ayarı bulunmaktadır. Yükseklik ayarını yapmak için aşağıdaki işlemleri uygulayın:

- Ayar düğmesine (6) basın.
- Düğmeyi bırakırken boruyu (7) motor muhafazasından (15) dışarı doğru yavaşça istediğinizi yüksekliğe çekin.
- Boru ilgili konuma geldiğinde düğme yerine kilitlenecektir.

Açılması ve kapatılması

- Aleti açmak için, tetik kolunu (1) sıkın.
- Aleti kapatmak için tetik kolunu bırakın.

Uyarı! Tetik kolunu kesinlikle açık konumda kilitlemeye çalışmayın.

Yararlı tavsiyeler

Genel

- Optimum kesim sonuçları elde etmek için, sadece kuru çim kesin.

Bıçme

- Aleti Şekil B'de gösterildiği gibi tutun.
- Misinalı çim bıçme makinesini yavaşça bir taraftan diğer tarafa doğru sallayın.
- Uzun çimleri keserken, yukarıdan aşağı kademelerle çalışın. Küçük kesimler yapın.
- Aleti sert nesnelere ve hassas bitkilerden uzak tutun.
- Alet yavaşlarsa, yükü azaltın.

Kenar kesme

50 mm'den derin kenarlarda optimum kesim sonuçları elde edilmektedir.

- Aleti, kenar oluşturmak için kullanmayın. Kenar oluşturmak için bir kenar beli kullanın.
- Aleti Şekil C'de gösterildiği gibi yönlendirin.
- Daha yakın bir kesim yapabilmek için aleti hafifçe eğin.

Bakım

Aletiniz minimum bakımla uzun bir süre çalışacak şekilde tasarlanmıştır. Kesintisiz olarak memnuniyet verici bir şekilde çalışması gerekli özenin gösterilmesine ve düzenli temizliğe bağlıdır.

Uyarı! Herhangi bir bakım işlemi

gerçekleştirmeden önce aleti kapatıp fişini çekin.

- Aletinizdeki havalandırma deliklerini yumuşak bir fırça veya kuru bir bezle düzenli olarak temizleyin.
- Misinayı ve makarayı yumuşak bir fırça veya kuru bir bezle düzenli olarak temizleyin.
- Siperliğin altındaki çim ve kiri temizlemek için düzenli olarak bir kör kazıyıcı kullanın.

Yeni bir misina makarasının takılması (Şekil E & F)

Yedek misina makaralarını Black & Decker bayiinizden temin edebilirsiniz (kat. no. A6495).

- Tırnakları (16) basılı tutup makara kapağını (17) muhafazadan (10) çıkartın.
- Boş makarayı (18) makara muhafazasından çıkartın.
- Makara kapağı ve muhafazadaki tüm kir ve çimi temizleyin.
- Yeni makarayı alın ve makara kapağının içindeki göbeğin üzerine bastırın. Makarayı yerine oturana kadar hafifçe döndürün.
- Misinalardan birinin ucunu açın ve halkalardan (19) geçirin. Misina, makara kapağından yaklaşık 11 cm dışarı çıkmalıdır.
- Diğer misinanın ucunu açın ve ipi diğer halkadan geçirin. Misina, makara kapağından yaklaşık 11 cm dışarı çıkmalıdır.
- Makara kapağındaki tırnakları (16) muhafazadaki deliklerle (20) hizalayın.

- Kapağı, güvenli bir şekilde yerine geçene kadar mahfazanın üzerine bastırın.

Uyarı! Misinalar düzeltme bıçağının (9) ötesine uzuyorsa, ipleri, sadece bıçağa ulaşacak şekilde kesin.

Boş makaraya yeni bir misina sarılması (Şekil G - I)

Boş bir makaraya yeni bir misina sarabilirsiniz. Yedek misina paketlerini Black & Decker bayiinizden temin edebilirsiniz (kat. no. A6171).

- Boş makarayı, yukarıda belirtildiği gibi aletten çıkartın.
- Makarada kalan misinayı makaradan sökün.
- İlk önce yeni misinayı makaranın en üst kısmına sarın:
 - 2 cm kadar misinayı, gösterildiği gibi makaranın üst kısmındaki yuvalardan birine geçirin.
 - Misinayı, ok yönünde makaraya sarın. Misinayı, düzenli ve katmanlar halinde sardığınızdan emin olun. Çapraz sarmayın.
 - Sarılmış misina oyuklara (21) ulaştığında misinayı kesin.
 - Misinayı, gösterildiği gibi makaranın yan tarafındaki yuvalara (22) geçici olarak takın.
- Yukarıdaki prosedürü, makaranın alt kısmında ikinci misina için de tekrarlayın. Misinayı, kullanılmamış yuvalara (22) takın.
- Makarayı alete takmak için yukarıda belirtilen işlemleri uygulayın. Misinayı geçici olarak taktığınız yuvalardan (22) çıkartmayı unutmayın.

Uyarı! Yalnızca uygun tipte Black & Decker misina kullanın. Makaranın her iki kısmında da misina bulunduğundan emin olun.

Arıza giderme

Aletinizin düzgün çalışmadığını düşünüyorsanız aşağıdaki talimatları izleyin. Bu sorunu çözmezse lütfen yerel Black & Decker onarım acentesiyle temas kurun.

Uyarı! İşleme devam etmeden önce aleti fişten çıkartın.

Alet çok yavaş çalışıyor

- Makara mahfazasının rahatça dönüp dönmediğini kontrol edin. Gerekirse dikkatli bir şekilde temizleyin.
- Misinanın, makara muhafazasından 11 cm'den fazla çıkıp çıkmadığını kontrol edin. Çıkıyorsa, sadece misina düzeltme bıçağına ulaşacak şekilde kesin.

Otomatik misina beslemesi çalışmıyor

- Tırnakları basılı tutup makara kapağını mahfazadan çıkartın.
- Misinayı muhafazadan 11 cm çıkana kadar çekin. Makarada yeterince misina kalmamışsa, yukarıda belirtildiği gibi yeni bir misina makarası takın.
- Makara kapağındaki tırnakları muhafazadaki deliklerle hizalayın.
- Kapağı, güvenli bir şekilde yerine geçene kadar mahfazanın üzerine bastırın.
- Misina düzeltme bıçağının ötesine uzuyorsa, misinayı, sadece bıçağa ulaşacak şekilde kesin.

Otomatik misina beslemesi hala çalışmıyorsa veya makara sıkışmışsa aşağıdaki önerileri deneyin:

- Makara kapağını ve muhafazayı dikkatli bir şekilde temizleyin.
- Makarayı çıkartın ve kolun serbestçe hareket etmediğini kontrol edin.
- Makarayı çıkartın ve misinayı çözün, ardından yukarıda açıklandığı gibi düzenli bir şekilde geri sarın. Makarayı belirtildiği gibi yerine yerleştirin.

Çevrenin korunması

Ayrı olarak atın. Bu ürün, normal evsel atıklarla birlikte atılmamalıdır.

Black & Decker ürününüzün değiştirilmesi gerektiğini düşünmeniz veya artık kullanılamaz durumda olması halinde onu, evsel atıklarla birlikte atmayın. Bu ürünü, ayrı olarak toplanacak şekilde atın.



Kullanılmış ürünlerin ve ambalajların ayrı olarak toplanması bu maddelerin geri dönüşüme sokularak yeniden kullanılmasına olanak tanır. Geri dönüşümlü maddelerin tekrar kullanılmasını çevre kirliliğinin önlenmesine yardımcı olur ve ham madde ihtiyacını azaltır.

Yerel yönetmelikler, elektrikli ürünlerin evlerden toplanıp belediye atık tesislerine aktarılması veya yeni bir ürün satın alırken perakende satıcı tarafından toplanması yönünde hükümler içerebilir.

Black & Decker, hizmet ömrünün sonuna ulaşan Black & Decker ürünlerinin toplanması ve geri

dönüşüme sokulması için bir imkan sunmaktadır. Bu hizmetin avantajlarından faydalanmak için, lütfen, ürününüzü bizim adımıza teslim alacak herhangi bir yetkili servise iade edin.

Bu kılavuzda belirtilen listeden size en yakın yetkili tamir servisinin yerini öğrenebilirsiniz. Ya da, İnternet'ten Black & Decker yetkili tamir servislerinin listesini ve satış sonrası hizmet veren yetkililerin tam detaylarını öğrenebilirsiniz. Bu site: www.2helpU.com

Teknik veriler

	GL701	GL716	GL720	GL741
Voltaj	V _{AC} 230	230	230	230
Giriş gücü	W 550	580	600	700
Yüksüz hızı	dak ⁻¹ 6,500	6,500	6,500	6,500
Ağırlık	kg 3.2	3.2	3.2	3.2

AT uygunluk beyanati**GL701/GL716/GL720/GL741**

Black & Decker, bu ürünlerin aşağıda belirtilen yönergelere uygun olduğunu teyit eder: 98/37/EC, 89/336/EEC, 73/23/EEC, EN 60335, EN 55014, EN 61000, 2000/14/EC, Ek VIII, Misinalı çim biçme makinesi, L ≤ 50 No. 0344, KEMA Quality B.V., Utrechtseweg 310, 6802 ED Arnhem, Hollanda

2002/14/EC'ye göre ölçülen ses basıncı düzeyi:

L_{PA} (ses basıncı) 81 dB(A)

L_{WA} (akustik güç) 95 dB(A)

L_{WA} (garantili) 96 dB(A)

EN 786'ya göre el/kol ağırlıklı titreşim değeri < 2,5 m/s²

Kevin Hewitt
Tüketici İhtiyaçları
Mühendisliği Müdürü
Spennymoor, County Durham
DL16 6JG, İngiltere
1-11-2005

İngiltere patent başvuru numarası 059745.6
Avrupa Topluluğu tasarım başvuru numarası
340385-0001 & 339544-0001

Garanti

Black & Decker, ürünlerinin kalitesine güvenmekte ve üstün bir garanti sunmaktadır. Ayrıca bu garanti hiçbir şekilde garanti ile ilgili kanuni haklarınızı ihlal etmez ve haklarınızı hiç bir şekilde kısıtlamaz. Tüm AB ve Avrupa Serbest Ticaret Bölgesi EFTA'nın üye ülkelerinde geçerlidir.

Bir Black & Decker ürünün kusurlu malzeme, işçilik veya uygunluk eksikliği nedeniyle satın alındığı tarihten sonraki 24 ay içerisinde arızalanması halinde Black & Decker, müşterinin en az düzeyde rahatsızlık duymasını sağlamak amacıyla, aşağıdaki durumlar haricinde kusurlu parçaları değiştirmeyi, normal aşınma ve yıpranmaya maruz kalmış ürünleri onarmayı ve bu tür ürünleri değiştirmeyi garanti eder:

- Ürün ticari veya profesyonel amaçlarla kullanılmışsa veya kiraya verilmişse;
- Ürün yanlış veya amaç dışı kullanılmışsa;
- Ürün, yabancı nesnelere, maddelere ya da kazalara nedeniyle hasar görmüştür;
- Yetkili tamir servisleri veya Black & Decker servis ekibinden başkası tarafından tamir edilmeye çalışılmışsa.

Garanti talebinde bulunmak için, satıcıya veya yetkili tamir servisine satın aldığınıza dair ispat sunmalısınız. Fatura ve garanti kartı gerekmektedir. Bu kılavuzda belirtilen listeden size en yakın yetkili tamir servisinin yerini öğrenebilirsiniz. Ya da, İnternet'ten Black & Decker yetkili tamir servislerinin listesini ve satış sonrası hizmet veren yetkililerin tam detaylarını öğrenebilirsiniz. Bu site:

www.2helpU.com

İl	Servis Adı	Adres	Telefon
1	Adana Pay Elektrik	Kızıllı Cad. M.Görgün Pasajı No.30	0322 351 12 95
2	Adapazarı Ferik Elektrik	C.Meydanı C.Cevher Sk.No.5	0264 272 62 28
3	Afyon Emekliş Bobinaj	Dumlupınar Mah Menderes Cad. No.2	0272 212 11 32
4	Amasya Teknik Bobinaj	Beyazıt Paşa Mah. Mehmet Vorinli Cad. No.20/B	0358 218 26 82
5	Ankara Yiğit Bobinaj	Merkez: 668.Sk. Eminel Yapı Koop. No.8 İvedik Ostim	0312 395 05 37
6	Antalya E.B.A. Elektrik	Sanayi Sitesi 682.Sk No.38	0242 345 3622
7	Aydın Tacıroğlu Bobinaj	2.Sanayi Sitesi 3.Sk No.55	0256 219 43 30
8	Balıkesir Başdemir Bobinaj	6 Eylül Mah. Uzun Döşeme Sk. No.41/A	0266 239 86 23
9	Bandırma Küre Bobinaj	Atatürk Cad. No.104	0266 718 46 79
10	Bodrum Ak-Soy Bobinaj	Türkkuyusu Mah.Etem Demiröz Sk. San.Sit.No.12	0252 316 65 29
11	Bursa Er-Teknik	Küçük San.Sit.Par.Koop. 48.Cad. No.60	0224 441 32 91
12	Bursa Vokart Ltd.	Gazıcılar Cad. Eriklı bahçe Sk.6/B	0224 254 48 75
13	Çanakkale Kısacık Bobinaj	Namık Kemal Mah.Kaynak Sk.No.41	0286 217 96 71
14	Çorlu Ümit Elektrik	Camiatik Mah. Ereğli Sk. No.1	0282 653 27 77
15	Çorum Emek Bobinaj	Çepni Mah.Hazır Elbiseçiler Sit.No.84	0364 224 05 41
16	Denizli Örsler Bobinaj	Bakırlı Mah. 171.Sk. Sedef Çarşısı 9/10	0258 261 42 74
17	Diyarbakır Çetsan	İnönü Cad. Ziya Gökalp Sk. No.45	0412 221 11 31
18	Düzce Yıldız Makine	Burhaniye Mah. Gen.Kazım Sk. No.10	0380 514 70 56
19	Edirne Efe Bobinaj	Sanayi Sitesi 22.Blok No.5	0284 225 35 73
20	Edremit Girgin Bob.Elektrik	Akçay Asfaltlı Üzeri No.68/2	0266 374 36 52
21	Elazığ Kalender Bobinaj	Sanayi Sitesi II.Sk.No.46	0424 224 85 01
22	Erzincan Ümit Elektrik Mak.	Sanayi Çarşısı 767 Sk.	0446 224 08 01
23	Eskişehir Meriç Bobinaj	Akçağlan Mah. Meriç Sk. No.4/A	0222 230 94 44
24	Gaziantep Karaşahin Bobinaj	Şahinbey Şenyurt Cad. No.35	0342 233 07 46
25	Gebze Gülsoy Elektrik	S.Orhan Mah. Menzilhane Cad. 1111.Sk. No.7	0262 646 92 49
26	Isparta Yüce Ticaret	Yeni San.Sit. 30.Blok No.81	0246 218 52 08
27	İstanbul AK-EL	Yukarı Dudullu Nato Yolu Cad. No.109B Ümraniye	0216 540 53 54
28	İstanbul Birlik Elektromekanik	Perpa Tic. Merkezi B.Blok Mavi Avlu Kat 4 No.318	0212 222 94 18
29	İstanbul Fırat Dış Ticaret	Tersane Cad. Kut Han No.38 K.3 D.307-308 Karaköy	0212 252 93 43
30	İstanbul Kardeşler Bobinaj	Çağlayan Mah. Sinanpaşa Cad. No.5 Çağlayan	0212 224 97 54
31	İstanbul Orjinal Güneşli	Bağlar Mah. Mimar Sinan Cad. Güllü Sk. No.3 Güneşli	0212 515 67 71
32	İstanbul Fırat - Şube	İstasyon Cad. Gemi Yan.San.Sit No.49 A Blok Kat 2 İçmeler Tuzla	0216 395 65 68
33	İstanbul Tarık Bobinaj	Bağdat Cad. Adalı Sk. No.101/10 Maltepe	0216 370 21 11
34	İzmir Boro Cıvata	1203/ 2.Sk. B21 Yenışehir	0232 469 80 70
35	İzmir Yılmaz Bobinaj	2822 Sk. No.2 1.Sanayi Sitesi	0232 433 80 51
36	İzmit Efe Elek. Bobinaj	Körfez Küçük San.Sit. 12.Blok No.13	0262 335 18 94
37	K.Maraş Kahraman Bobinaj	Yeni San.Sit. 25.Çarşısı No.24	0344 236 29 68
38	Kayseri Akın Elektrik	Eski San Bölgesi 5.Cad. No.8	0352 336 41 23
39	Konya Murat Bobinaj	Karatay San.Çiçekli Sk. No.83	0332 235 64 63
40	Konya Yavuzhan Bobinaj	Karatay San.Çobandede Sk. No.20	0332 233 29 60
41	Kütahya Doğan Bobinaj	Yeni San.Sit.19.Sk. No:28/1	0274 231 22 00
42	Malatya Özer Bobinaj	Yeni San.Sit. 2.Cad. No.95	0422 336 39 53
43	Marmaris Başaran Teknik	Beldibi Cad. No.5/C	0252 412 85 11
44	Mersin Vedat Makine	Mesudiye Mah.5120 Sk. No.40/A	0324 336 94 30
45	Nevşehir Çiftgüç Elektrik	Yeni Sanayi Sitesi 8.Blok No.53	0384 213 19 96
46	Samsun Akış Bobinaj	Sanayi Sitesi Ulus Cad. No.31/B	0362 238 07 23
47	Sivas Bayraktar Elektrik	Yeni Çarşısı No.72/C	0346 221 47 55
48	Tokat Çetin Elektrik	Sanayi Sitesi Cami Altı No.22	0356 214 63 07
49	Trabzon Makine Market	Rize Cad. No.71 Değirmendere	0462 328 14 80
50	Uşak Zengin Bobinaj	İsliçe Mah. Ürem Sk. No.10/C	0276 227 27 46

