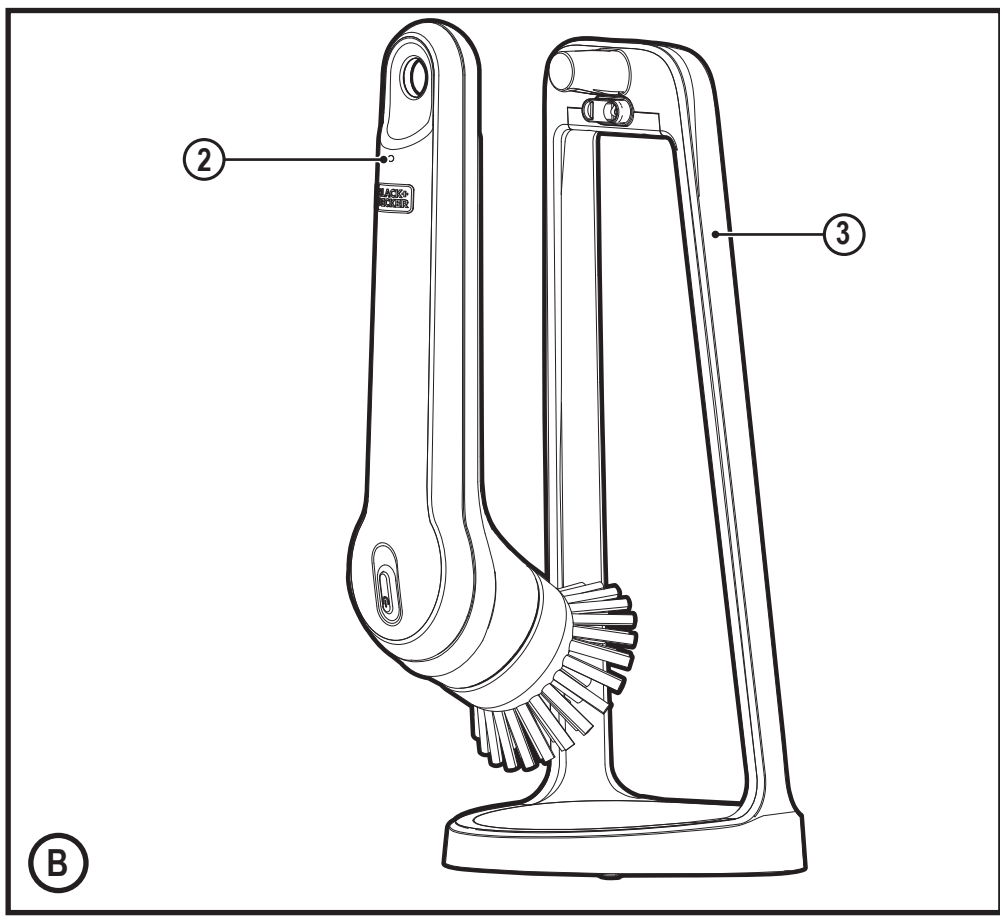
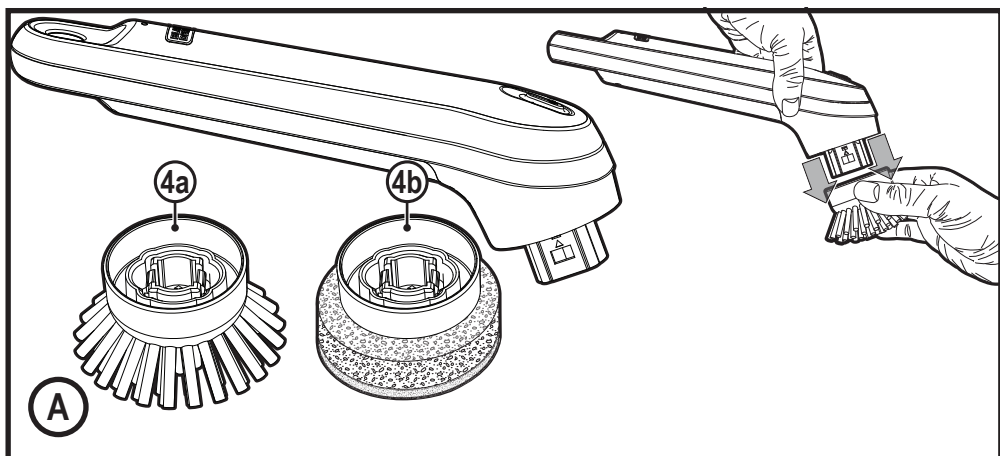
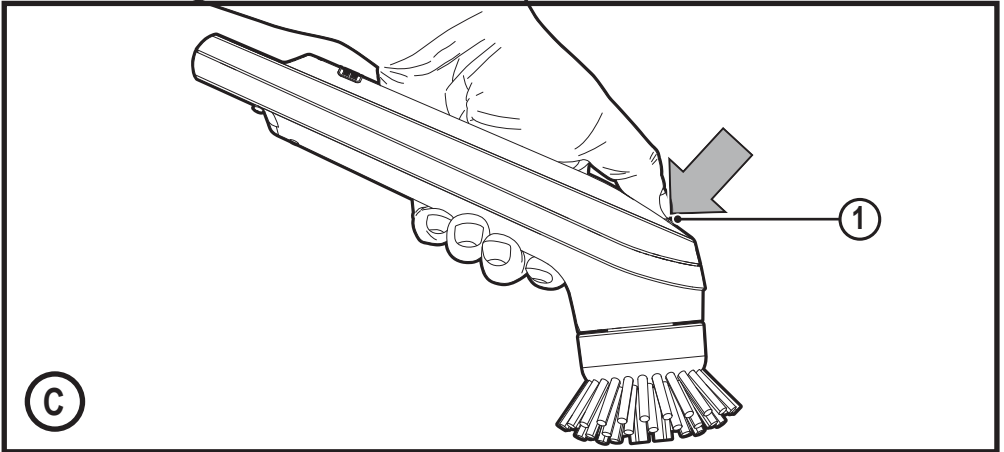


[www.blackanddecker.com.au](http://www.blackanddecker.com.au)  
[www.blackanddecker.co.nz](http://www.blackanddecker.co.nz)

**BHPC110**





### Intended use

Your BLACK+DECKER BHPC110 turbo extended lithium scrubbing brush has been designed for cleaning purposes. This appliance is intended for household use only.



Read all of this manual carefully before operating the appliance.

## Safety instructions



### Warning! Read all safety warnings and all instructions.

Failure to follow the warnings and instructions listed below may result in electric shock, fire and/or serious injury.

- ◆ The intended use is described in this manual. The use of any accessory or attachment or the performance of any operation with this appliance other than those recommended in this instruction manual may present a risk of personal injury.
- ◆ Retain this manual for future reference.

## Using your appliance

- ◆ Do not use the appliance to pick up liquids or any materials that could catch fire
- ◆ Do not use the appliance with ammonia or bleach.
- ◆ Never pull the charger lead to disconnect the charger from the socket. Keep the charger lead away from heat, oil and sharp edges.
- ◆ This appliance can be used by children aged from 8 years and above. Also persons with reduced physical, sensory or mental capabilities or lack of experience and knowledge if they have been given supervision or instruction concerning use of the appliance in a safe way and understand the hazards involved. Children shall not play with the appliance. Cleaning and user maintenance shall not be made by children without supervision.

Always check that the mains voltage corresponds to the voltage on the rating plate.

## Inspection and repairs

Before use, check the appliance for damaged or defective parts.

Check for breakage of parts, damage to switches and any other conditions that may affect its operation.

- ◆ Do not use the appliance if any part is damaged or defective.
- ◆ Have any damaged or defective parts repaired or replaced by an authorized repair agent.
- ◆ Regularly check the charger lead for damage. Replace the charger if the lead is damaged or defective.
- ◆ Never attempt to remove or replace any parts other than those specified in this manual.

## Additional safety instructions

### After use

- ◆ Unplug the charger before cleaning the charger or charging base.
- ◆ When not in use, the appliance should be stored in a dry place.
- ◆ Children should not have access to stored appliances.

### Residual risks

Additional residual risks may arise when using the tool which may not be included in the enclosed safety warnings. These risks can arise from misuse, prolonged use etc.

Even with the application of the relevant safety regulations and the implementation of safety devices, certain residual risks can not be avoided. These include:

- ◆ Injuries caused by touching any rotating/moving parts.
- ◆ Injuries caused when changing any parts, blades or accessories.
- ◆ Injuries caused by prolonged use of a tool. When using any tool for prolonged periods ensure you take regular breaks.
- ◆ Impairment of hearing.
- ◆ Health hazards caused by breathing dust developed when using your tool (example:- working with wood, especially oak, beech and MDF.)

## Chargers

Your charger has been designed for a specific voltage. Always check that the mains voltage corresponds to the voltage on the rating plate.

**Warning!** Never attempt to replace the charger unit with a regular mains plug.

- ◆ Use your BLACK+DECKER charger only to charge the battery in the appliance with which it was supplied. Other batteries could burst, causing personal injury and damage.
- ◆ Never attempt to charge non-rechargeable batteries.
- ◆ If the supply cord is damaged, it must be replaced by the manufacturer or an authorised BLACK+DECKER Service Centre in order to avoid a hazard.
- ◆ Do not expose the charger to water.
- ◆ Do not open the charger.

- ◆ Do not probe the charger.
- ◆ The appliance/battery must be placed in a well ventilated area when charging.
- ◆ This appliance contains batteries that are only replaceable by skilled persons.
- ◆ When disposing of batteries, follow the instructions given in the section "Protecting the environment".
- ◆ Under extreme conditions, battery leakage may occur. When you notice liquid on the batteries Carefully wipe the liquid off using a cloth. Avoid skin contact.
- ◆ In case of skin or eye contact, follow the instructions below.

**Warning!** The battery fluid may cause personal injury or damage to property. In case of skin contact, immediately rinse with water. If redness, pain or irritation occurs seek medical attention. In case of eye contact, rinse immediately with clean water and seek medical attention.

## Electrical safety

### Symbols on the charger



Read all of this manual carefully before using the appliance.



This tool is double insulated; therefore no earth wire is required. Always check that the power supply corresponds to the voltage on the rating plate.



The charger is intended for indoor use only.

### Labels on appliance

The following symbols appear on this appliance along with the date code.



Read all of this manual carefully before using the appliance



Only use with charger  
SSC-150015

### Features

This tool includes some or all of the following features.

1. On/off power switch
2. Charging indicator
3. Charging station
- 4a. Rotating brush head
- 4b. Rotating scrubbing head

### Charging (Fig. B)

- ◆ Place the scrubbing brush onto the charging station (3) as shown in figure A.
- ◆ Plug the charging station into a suitable power supply.
- ◆ Whilst charging, the charging indicator light (2) will illuminate.
- ◆ When fully charged the charging indicator light (2) will go off.

### Switching on and off (Fig. C)

- ◆ To turn the scrubbing brush on, press the on/off power switch (1).
- ◆ To turn the scrubbing brush off, press the on/off power switch (1) again.

### Hints for optimum use

The appliance can be used with a variety of cleaning agents, including sprays, foams, rub-on gels and liquid detergents.

Always read the manufacturer' instructions on the cleaning agent you use. Do not use the appliance with abrasive cleaning agents.

Do not use with Bleach or ammonia based cleaning products.

**Warning!** Wear gloves and eye protection when using aggressive chemical cleaners.

- ◆ If you are unsure about using this appliance on a particular surface, test it first on a small inconspicuous patch

**Warning!** Unit should only be used at a max depth of 20cm for up to 30 mins at a max temp of 30°C.

### Cleaning

- ◆ Move the appliance in a circular pattern. Do not hold the appliance in one spot for too long.

## Maintenance

Your BLACK+DECKER cordless appliance has been designed to operate over a long period of time with a minimum of maintenance. Continuous satisfactory operation depends upon proper tool care and regular cleaning.

**Warning!** Before performing any maintenance on cordless appliances:

- ◆ Run the battery down completely if it is integral and then switch off.
- ◆ Unplug the charger before cleaning it. Your charger does not require any maintenance apart from regular cleaning.
- ◆ Regularly clean the ventilation slots in your appliance/charger using a soft brush or dry cloth.
- ◆ Regularly clean the motor housing using a damp cloth. Do not use any abrasive or solvent-based cleaner.

## Protecting the environment



Separate collection. Products and batteries marked with this symbol must not be disposed of with normal household waste.

Products and batteries contain materials that can be recovered or recycled reducing the demand for raw materials.

Please recycle electrical products and batteries according to local provisions. Further information is available at [www.2helpU.com](http://www.2helpU.com)

## Technical Data

BHPC110		
Voltage	V <sub>dc</sub>	3.6
Battery		Li-Ion
Charger		SSC-150015
Input voltage	V <sub>ac</sub>	100 - 240
Output voltage	V	15
Current	mA	150
Capacity	Ah	1.5
Approx charge time	h	10
Weight <small>(without pads &amp; charger base)</small>	Kg	0.32
Weight of charger base	Kg	0.21
Class		III

## Australia & New Zealand

Stanley Black & Decker

[www.blackanddecker.com.au](http://www.blackanddecker.com.au)

[www.blackanddecker.co.nz](http://www.blackanddecker.co.nz)

Tel. 1800 338 002 (Aust) or Tel. 0800 339 258 (NZ)



