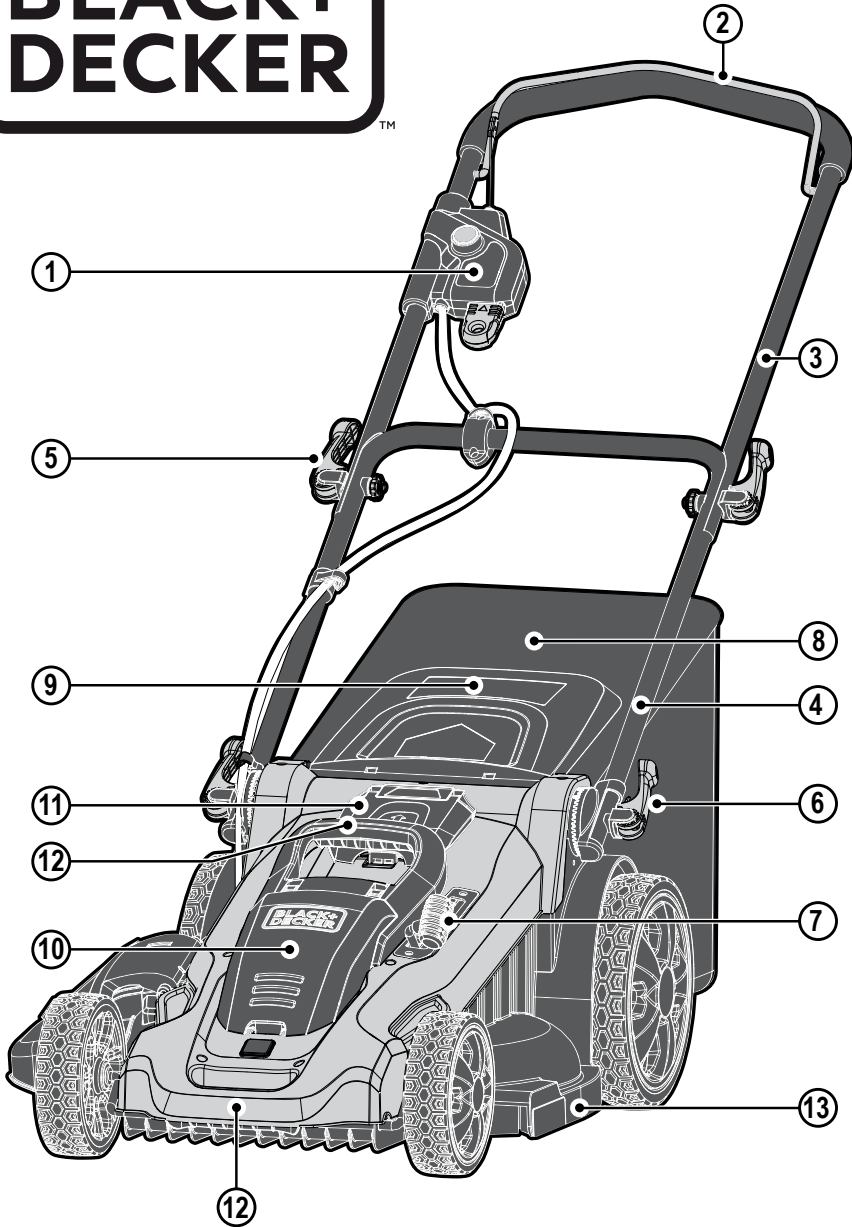
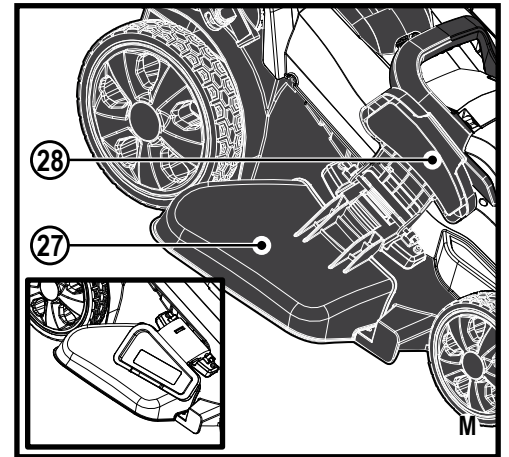
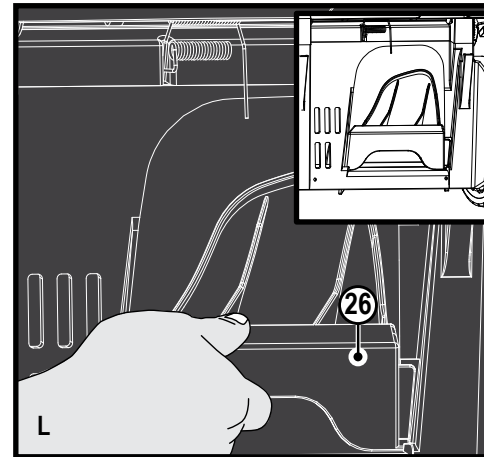
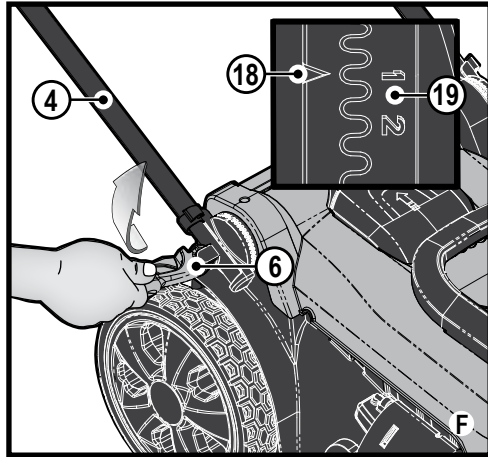
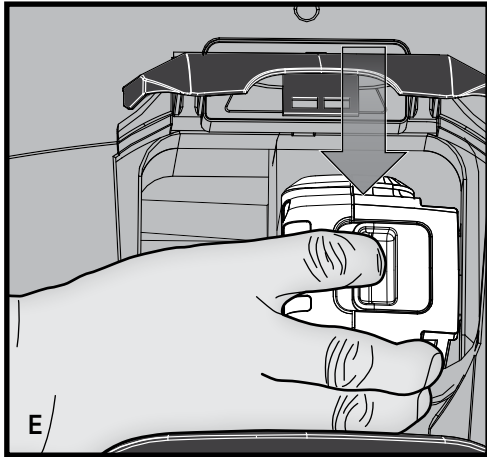
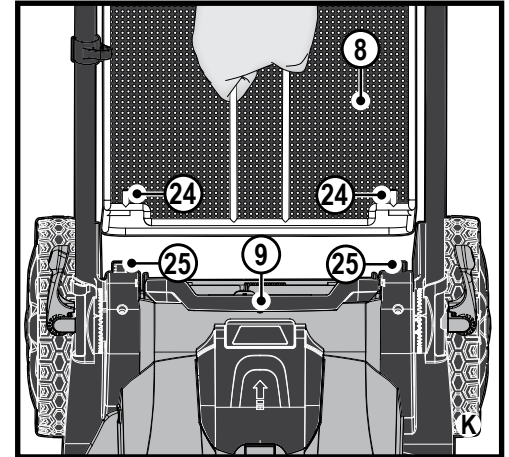
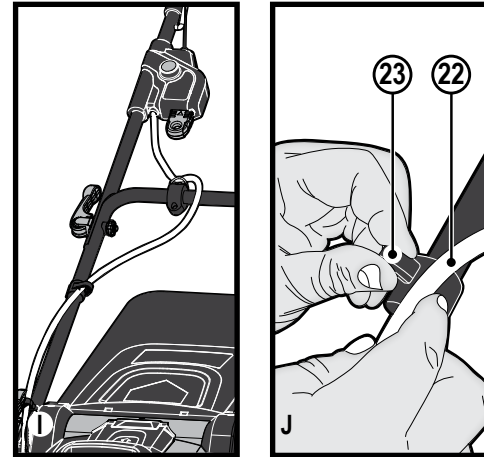
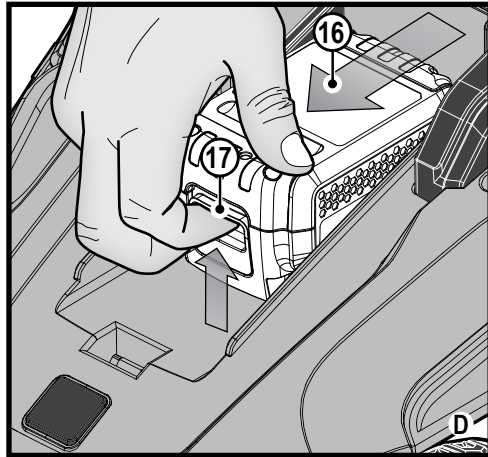
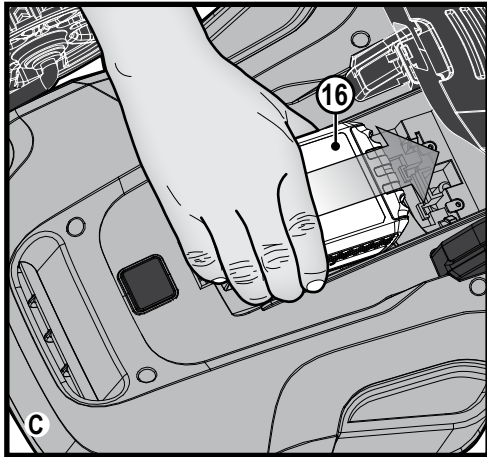
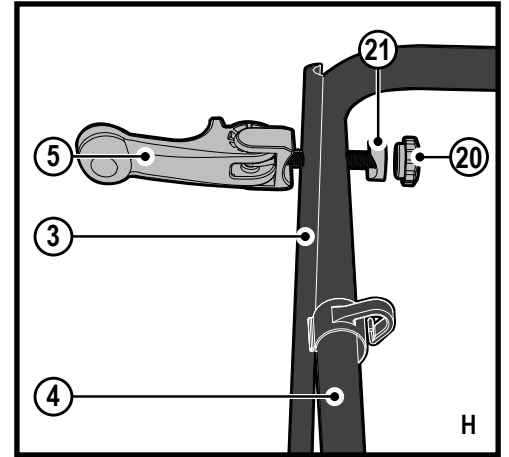
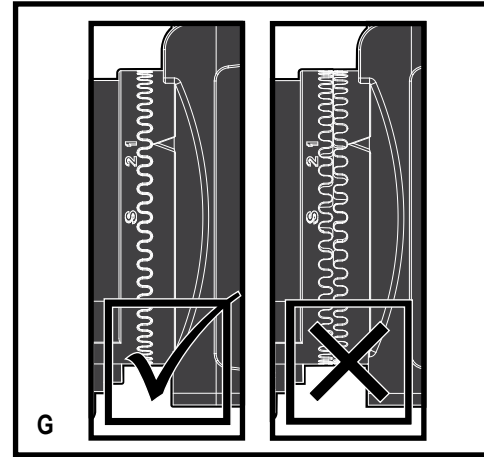
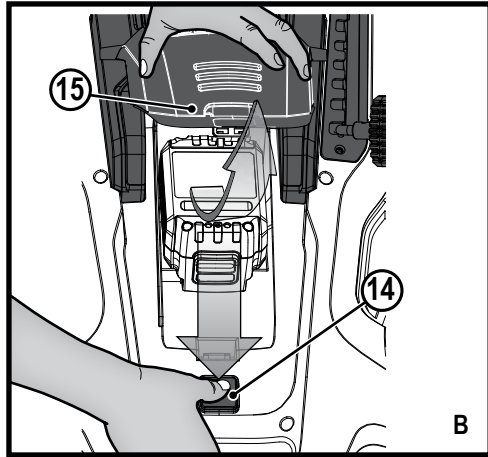
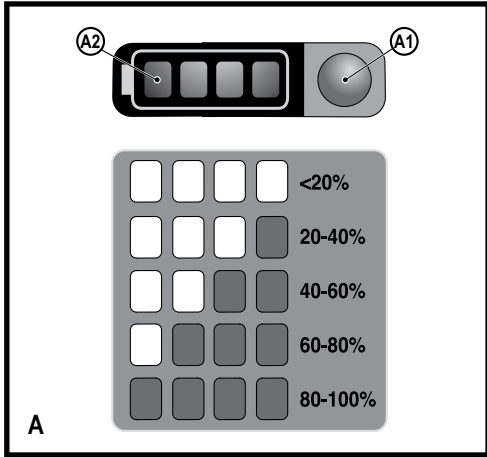
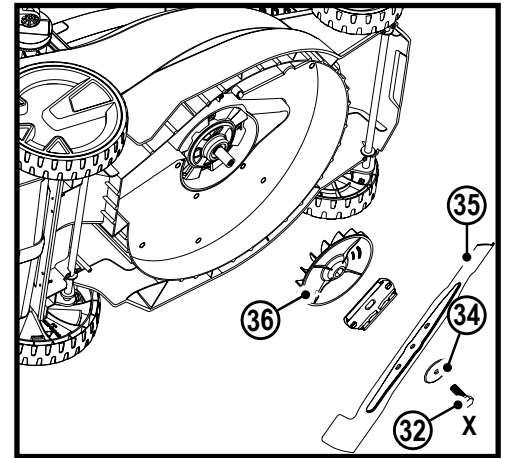
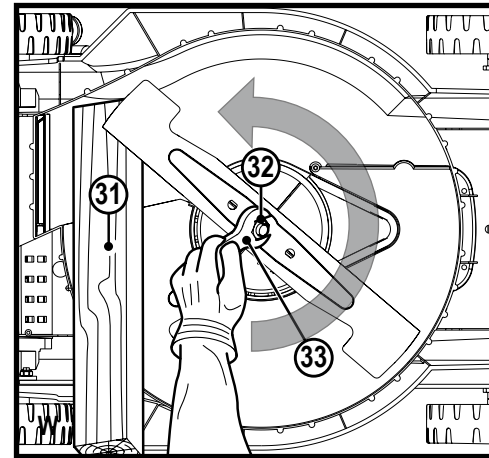
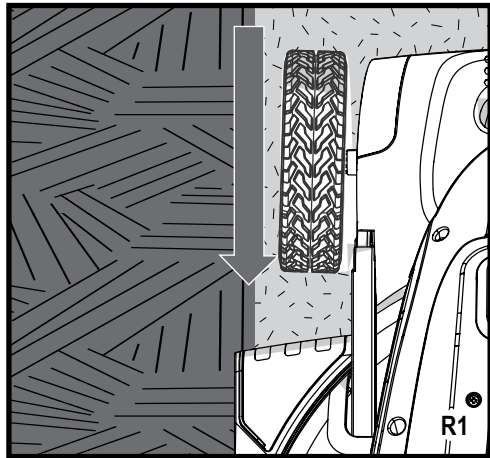
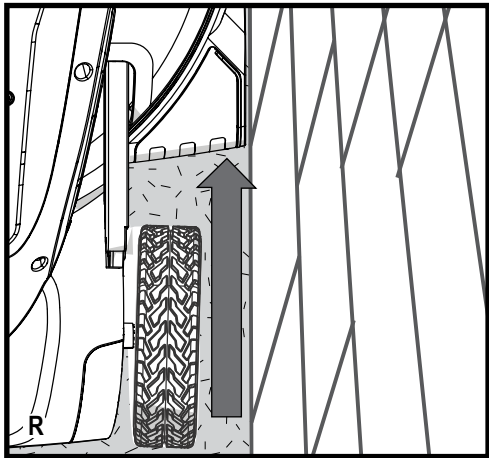
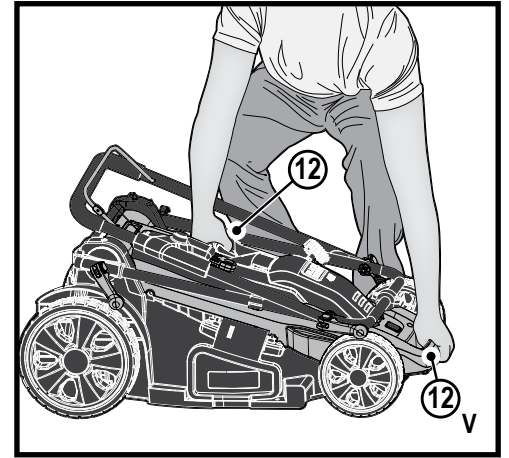
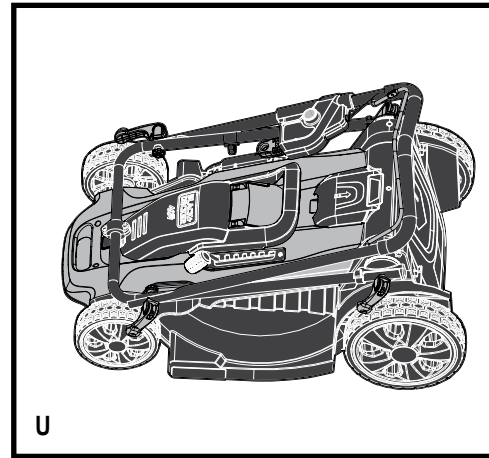
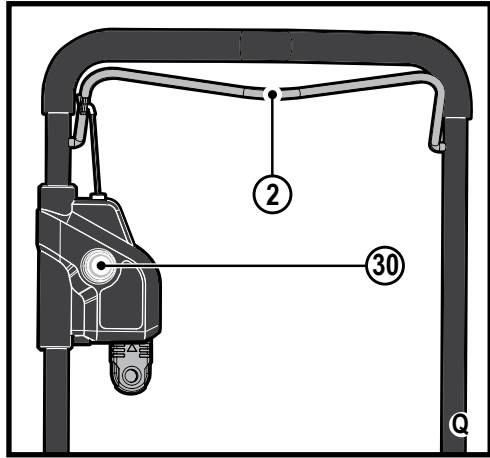
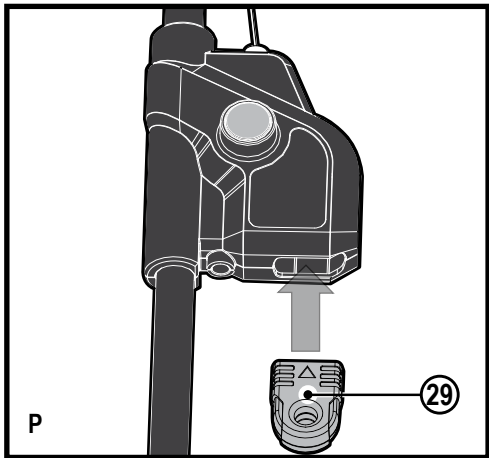
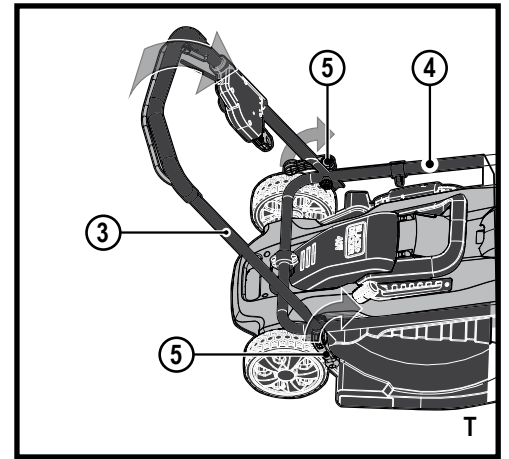
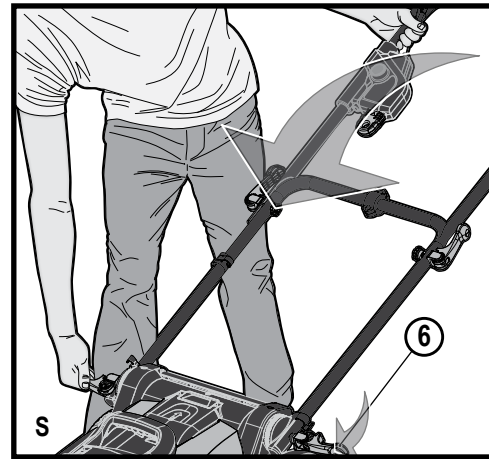
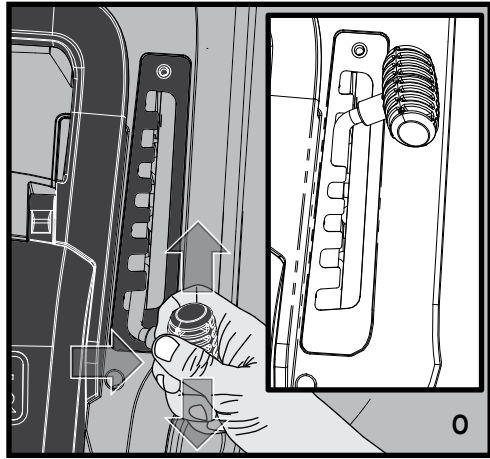
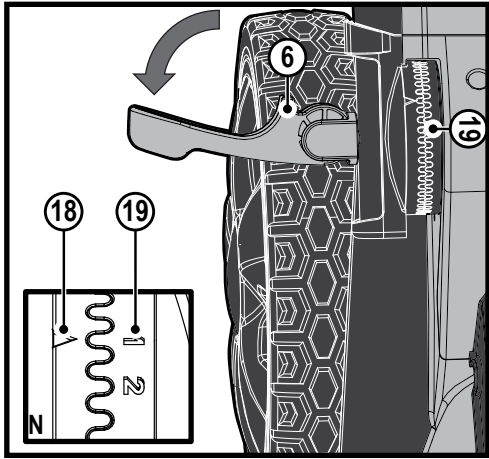
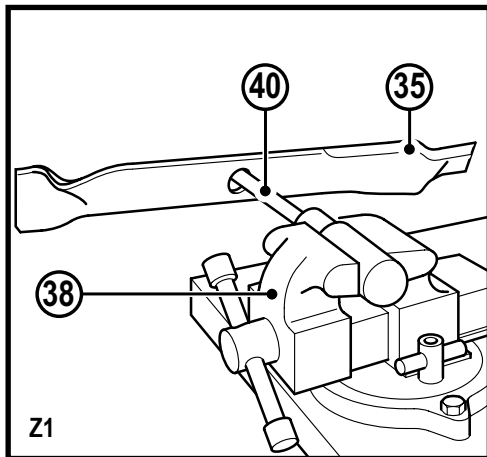
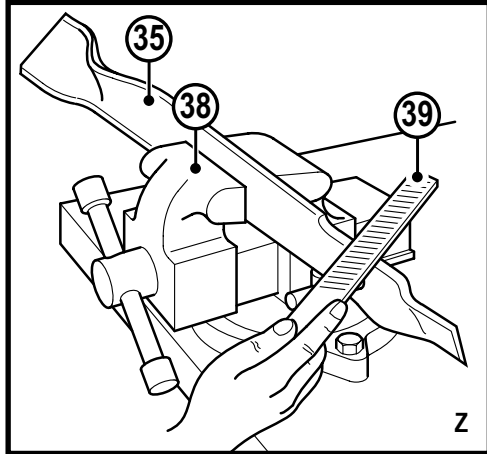
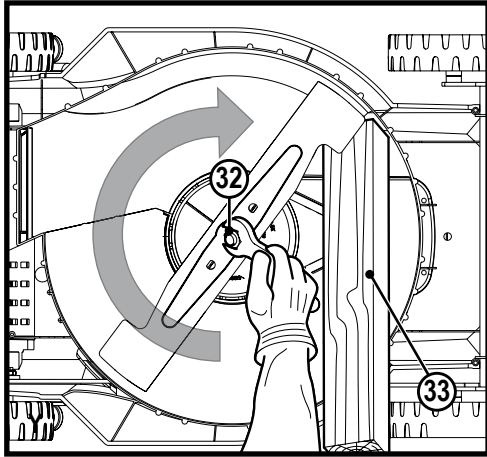


BLACK+ DECKER™









Intended use

Your BLACK+DECKER CLMA4825L2 Autosense lawn mower has been designed for mowing grass. This appliance is intended for consumer use only.

Safety instructions

Warning! When using cordless appliances, basic safety precautions, including the following, should always be followed to reduce the risk of fire, electric shock, personal injury and material damage.

Warning! When using the machine the safety rules must be followed. For your own safety and bystanders please read these instructions before operating the machine. Please keep the instructions safe for later use.

- ◆ Read all of this manual carefully before operating the appliance.
- ◆ The intended use is described in this manual. The use of any accessory or attachment or the performance of any operation with this appliance other than those recommended in this instruction manual may present a risk of personal injury.
- ◆ Retain this manual for future reference.

Using your appliance

Always take care when using the appliance.

- ◆ This appliance is not intended for use by young or infirm persons without supervision.
- ◆ The appliance is not to be used as a toy.

- ◆ Do not allow children or animals to come near the work area or touch the appliance or power supply cord.
- ◆ Close supervision is necessary when the appliance is used near children.
- ◆ Use in a dry location only. Do not allow the appliance to become wet.
- ◆ Do not immerse the appliance in water.
- ◆ Do not open body casing. There are no user serviceable parts inside.
- ◆ Do not operate the appliance in explosive atmospheres, such as in the presence of flammable liquids, gases or dust.
- ◆ To reduce the risk of damage to plugs and cords never pull the cable to remove the plug from a socket.
- ◆ Do not use the appliance if any part is damaged or defective.
- ◆ Have any damaged or defective parts repaired or replaced by an authorised repair agent.
- ◆ Never attempt to remove or replace any parts other than those specified in this manual.
- ◆ Be careful during adjustment of the mower to prevent entrapment of the fingers between moving blades/parts and fixed parts of the machine.
- ◆ When servicing the blades be aware that, even though the power source is switched off, the blades can still be moved.

Additional safety instructions for lawn mowers

After use

- ◆ When not in use, the appliance should be stored in a dry, well ventilated place out of the reach of children.
- ◆ Children should not have access to stored appliances.
- ◆ When the appliance is stored or transported in a vehicle it should be placed in the boot or restrained to prevent movement following sudden changes in speed or direction.

Inspection and repairs

- ◆ Before use, check the appliance for damaged or defective parts. Check for breakage of parts, damage to switches and any other conditions that may affect its operation.

- ◆ Firmly grip handle with both hands when operating the lawn mower.
- ◆ If at any time it is felt necessary to tilt the lawn mower, make sure that both hands remain in the operating position while the lawn mower is tilted. Keep both hands in the operating position until the lawn mower is returned to rest correctly on the ground.
- ◆ Never wear radio or music headphones while operating the lawn mower.
- ◆ Never attempt to make a wheel height adjustment while the motor is running or while the safety key is in the switch housing.
- ◆ If the lawn mower stalls, release bail bar to turn mower off, wait for blade to

stop and remove the safety key, before attempting to unclog the chute or remove anything from under the deck.

- ◆ Keep hands and feet away from cutting area.
- ◆ Keep blades sharp. Always use protective gloves when handling the lawn mower blade.
- ◆ If you are using the grass collector, check it frequently for wear and deterioration. If excessively worn, replace with a new grass collector for your safety.
- ◆ Use extreme caution when reversing or pulling the lawn mower towards you.
- ◆ Do not put hands or feet near or under the lawn mower. Keep clear of the discharger opening at all times.
- ◆ Clear the area where the lawn mower is to be used of objects such as rocks, sticks, wire, toys, bones etc., which could be thrown by the blade. Objects struck by the blade can cause severe injury to persons. Stay behind the handle when the motor is running.
- ◆ Do not operate the lawn mower barefooted or while wearing sandals. Always wear substantial footwear.
- ◆ Do not pull lawn mower backward unless absolutely necessary. Always look down and behind before and while moving backward.
- ◆ Never direct discharged material toward anyone. Avoid discharging material against a wall or obstruction. Material may ricochet back toward the operator. Release the bail bar to turn

the lawn mower off and stop the blade when crossing gravel surfaces.

- ◆ Do not operate the lawn mower without the entire grass collector, discharge guard, rear guard, or other safety protective devices in place and working. Periodically check all guards and safety protective devices to ensure they are in good working order and will operate properly and perform their intended function. Replace a damaged guard or other safety device before further use.
- ◆ Never leave a running lawn mower unattended. Always remove the safety key if the lawn mower is going to be left unattended.
- ◆ Always release the bail bar to stop the motor and wait until the blade comes to a complete stop and remove the safety key before cleaning the lawn mower, removing the grass bag, unclogging the discharge guard, when leaving the lawn mower, or before making any adjustments, repairs or inspections.
- ◆ Operate lawn mower only in daylight or good artificial light when objects in the path of the blade are clearly visible from the operating area of the lawn mower.
- ◆ Do not operate the lawn mower while under the influence of alcohol or drugs, or when you are tired or ill. Always stay alert, watch what you are doing, and use common sense.

- ◆ Avoid dangerous environments. Never operate the lawn mower in damp or wet grass, never use lawn mower in the rain. Always be sure of your footing, walk, never run.
- ◆ If the lawn mower should start to vibrate abnormally, release the bail bar, wait for the blade to stop and remove the safety key, then check for the cause immediately. Vibration is generally a warning of trouble, see the troubleshooting guide for advice in the case of abnormal vibration.
- ◆ Always wear proper eye and respiratory protection when operating the lawn mower.
- ◆ The use of any accessory or attachment not recommended for use with this lawn mower could be hazardous. Only use accessories approved by BLACK+DECKER.
- ◆ Never overreach while operating the lawn mower. Always be sure to keep proper footing and balance at all times while operating the lawn mower.
- ◆ Mow across the face of slopes, never up and down. Exercise extreme caution when changing direction on slopes.
- ◆ Watch for holes, ruts, bumps, rocks or other hidden objects. Uneven terrain could cause a slip and fall accident. Tall grass can hide obstacles.
- ◆ Do not mow on wet grass or excessively steep slopes. Poor footing could cause a slip and fall accident.

- ◆ Do not mow near drop-offs, ditches, or embankments. You could lose your footing or balance.
- ◆ Always allow the mower to cool down before storing.

Safety of others

- ◆ This appliance can be used by children aged from 8 years and above and persons with reduced physical, sensory or mental capabilities or lack of experience and knowledge if they have been given supervision or instruction concerning use of the appliance in a safe way and understand the hazards involved.
- ◆ Children shall not play with the appliance. Cleaning and user maintenance shall not be made by children without supervision.

Residual risks

Additional residual risks may arise when using the tool which may not be included in the enclosed safety warnings. These risks can arise from misuse, prolonged use etc.

Even with the application of the relevant safety regulations and the implementation of safety devices, certain residual risks can not be avoided. These include:

- ◆ Injuries caused by touching any rotating/moving parts.
- ◆ Injuries caused when changing any parts, blades or accessories.
- ◆ Injuries caused by prolonged use of a tool. When using any tool for

prolonged periods ensure you take regular breaks.

- ◆ Impairment of hearing.
- ◆ Health hazards caused by breathing dust developed when using your tool (example:- working with wood, especially oak, beech and MDF.)

Warning symbols

The following warning symbols are found on the appliance along with the date code:



Warning! Read the manual prior to operation.



Do not expose the appliance to rain or high humidity.



Beware of sharp blades. The blades will continue to rotate after the machine is switched off. Always remove the safety key before cleaning the lawn mower, removing the grass bag, unclogging the discharge guard, when leaving the lawn mower, or before making any adjustments, repairs or inspections.



Beware of flying objects. Keep bystanders away from the cutting area.



Wear eye protection



Directive 2000/14/EC guaranteed sound power.

Additional safety instructions for batteries and chargers

Batteries

- ◆ Never attempt to open for any reason.
- ◆ Do not expose the battery to water.
- ◆ Do not expose the battery to heat.
- ◆ Do not store in locations where the temperature may exceed 40 °C.
- ◆ Charge only at ambient temperatures between 10 °C and 40 °C.
- ◆ Charge only using the charger provided with the appliance/tool. Using the wrong charger could result in an electric shock or overheating of the battery.
- ◆ When disposing of batteries, follow the instructions given in the section "Protecting the environment".
- ◆ Do not damage/deform the battery pack either by puncture or impact, as this may create a risk of injury and fire.
- ◆ Do not charge damaged batteries.
- ◆ Under extreme conditions, battery leakage may occur. When you notice liquid on the batteries carefully wipe the liquid off using a cloth. Avoid skin contact.
- ◆ In case of skin or eye contact, follow the instructions below.

Warning! The battery fluid may cause personal injury or damage to property. In case of skin contact, immediately rinse with water. If redness, pain or irritation occurs seek medical attention. In case of eye contact, rinse immediately with clean water and seek medical attention.



Do not attempt to charge damaged batteries.

Chargers

Your charger has been designed for a specific voltage. Always check that the mains voltage corresponds to the voltage on the rating plate.

Warning! Never attempt to replace the charger unit with a regular mains plug.

- ◆ Use your BLACK+DECKER charger only to charge the battery in the appliance/tool with which it was supplied. Other batteries could burst, causing personal injury and damage.
- ◆ Never attempt to charge non-rechargeable batteries.
- ◆ If the supply cord is damaged, it must be replaced by the manufacturer or an authorised BLACK+DECKER Service Centre in order to avoid a hazard.
- ◆ Do not expose the charger to water.
- ◆ Do not open the charger.
- ◆ Do not probe the charger.
- ◆ The appliance/tool/battery must be placed in a well ventilated area when charging.



The charger is intended for indoor use only.



Read the instruction manual before use.

Electrical safety



Your charger is double insulated; therefore no earth wire is required. Always check that the mains voltage corresponds to the voltage on the rating plate. Never attempt to replace the charger unit with a regular mains plug.

- ◆ If the supply cord is damaged, it must be replaced by the manufacturer or an authorised BLACK+DECKER Service Centre in order to avoid a hazard.

Charging the battery

The battery needs to be charged before first use and whenever it fails to produce sufficient power on jobs that were easily done before. The battery may become warm while charging; this is normal and does not indicate a problem.

Warning! Do not charge the battery at ambient temperatures below 10 °C or above 40 °C. Recommended charging temperature: approx. 24 °C.

Note: The charger will not charge a battery if the cell temperature is below approximately 10 °C or above 40 °C. The battery should be left in the charger and the charger will begin to charge automatically when the cell temperature warms up or cools down.

- ◆ Plug the charger into an appropriate outlet before inserting the battery pack.
- ◆ Insert the battery pack into the charger.



The green LED will flash indicating that the battery is being charged.



The completion of charge is indicated by the green LED remaining on continuously. The pack is fully charged and may be used at this time or left in the charger

Warning! Recharge discharged batteries as soon as possible after use or battery life may be greatly diminished.

Charger diagnostics

This charger is designed to detect certain problems that can arise with the battery packs or the power source. Problems are indicated by one LED flashing in different patterns.

Bad Battery



The charger can detect a weak or damaged battery. The red LED flashes in the pattern indicated on the label. If you see this bad battery blink pattern, do not continue to charge the battery. Return it to a service centre or a collection site for recycling.

Hot/Cold Pack Delay



When the charger detects a battery that is excessively hot or excessively cold, it automatically starts a Hot/Cold Pack delay, suspending charging until the battery has normalised.

After this happens, the charger automatically switches to the Pack Charging mode. This feature ensures maximum battery life. The red LED flashes in the pattern indicated on the label when the Hot/Cold pack delay is detected.

State of Charge Indicator

The battery is equipped with a state of charge indicator. This can be used to display the current level of charge in the battery while in the trimmer and during charging. It does not indicate appliance functionality and is subject to variation based on product components, temperature and end user application.

Checking State of Charge during use

- ◆ Press the state of charge indicator (A1).
- ◆ The four LEDs (A2) will illuminate indicating the percent of charge in the battery (Fig.A.)
- ◆ If LED light does not illuminate, charge battery.

Leaving the battery in the charger

The charger and battery pack can be left connected with the LED glowing indefinitely. The charger will keep the battery pack fresh and fully charged.

Features

This appliance includes some or all of the following features.

1. Switch box
2. Bail handle
3. Upper-handle
4. Lower-handle

5. Upper-handle attachment levers (2)
6. Lower-handle attachment levers (2)
7. Cut height adjust lever
8. Grass collection bag
9. Rear door cover
10. Battery port
11. Battery storage compartment
12. Carrying handles
13. EdgeMax™

Installing and removing the battery pack (fig. B - C)

- ◆ Depress the battery port cover release button (14) and pull the battery port cover (15) up to expose the battery port (10) as shown in figure B.
- ◆ Slide the battery (16) into the battery port until it is fully seated and an audible click is heard (figure C). Make sure battery pack is fully seated and fully latched into position.
- ◆ Close the battery port cover. Ensure the cover is fully latched before starting mower.

To remove battery pack (fig. D)

- ◆ Open the battery port cover (15).
- ◆ Depress the battery release button (17) on the battery pack and pull battery pack out of tool as shown in figure D.

Battery storage

An extra battery can be stored using the battery storage compartment (11).

- ◆ Lift the storage compartment cover and slide the battery into the compartment as shown in figure E. Battery in this compartment will not actuate the mower.
- ◆ Screw the upper handle quick release clamps (7) through the lower handle into the clamp nuts (20). With the upper handle quick release clamps screwed in half way, close the quick release clamps (fig. G). If the connection between the handle and quick release clamps is too tight or loose, adjust the depth of the quick release clamps and close them again until the teeth are fully closed.

Assembly

Warning! Before assembly, make sure that the tool is switched off and the safety key and battery have been removed.

Attaching lower handle (fig. F)

- ◆ lift lower handle (4) into place making sure the arrow (18) on the base of the mower lines up with 1, 2, or 3 on the base of the handle (19) (inset of figure F).

Note! Ensure each side of the lower handle is set on the same number. The arrow must be lined up with 1, 2, or 3 for operation.

- ◆ Close the handle height adjust levers (7) as shown in figure F. As you close each, make sure the teeth are engaged as shown in figure G.
- ◆ If the connection between the handle and lever is too tight or loose, open the lever and adjust the depth of the lever by turning the lever. Close it again until the teeth are fully clasped and each lever stays securely closed.

Attaching upper handle (fig. H)

- ◆ Remove the upper-handle attachment levers (5), nuts (20), and washers (21) from the handle.
- ◆ Line up the holes on the bottom of the upper handle (3) with the holes on the top of the lower handle (4).

Note: Make sure the cord is located on the front of both handles. If it is not it may result in the cord tangling and the inability to easily store the mower (fig. I)

- ◆ From the outside of the upper handle (3), slide the lever bolt through the holes.
- ◆ Slide the washer over the bolt of the lever and loosely assemble the entire assembly with the nut.
- ◆ Rotate the upper handle into its operating position.
- ◆ Close the lever. If it is too tight or too loose, open the lever and the nut to adjust the clamping. Check the levers by closing them. They should be tight enough so the handles are held firmly, but loose enough so the levers can be fully closed. Adjust by opening the lever and turning the nut until the handles are secured.

Securing the motor cable (fig. J)

Warning: Attach cable so that it does not become stretched or pinched in the joints of the handles during use or folding. This can cause damage to the cord.

The motor cable (22) has to be fixed to the handles using the cable restraints (23) that are already attached to the handle to clip the cable to the handle:

- ◆ Place the handles in operating position, see "Attaching lower handle" section.
- ◆ Run the cable up the front of the lower and upper handles.
- ◆ pull back the cable restraint.
- ◆ Slide the motor cable under the clip and ensure it is fully held in place by the restraint.

Bagging

- ◆ Ensure the side discharge attachment (27) (fig. M) and the mulching insert (26) (fig. L) are removed from the mower before bagging.
- u Lift the rear door cover (9) and place the grass collection bag (8) onto the mower so the bag hooks (24) rest on the lugs (25) as shown in figure K. Then lower the rear door cover.

Mulching

- ◆ Ensure the side discharge attachment (27) and the collection bag (8) are not attached.
- ◆ Lift the rear door cover (9) and slide the mulching insert (26) fully into the mower as shown in figure L.
- ◆ ensure the rear door cover fully closes before turning mower on.

Side discharge

- ◆ Ensure the collection bag (8) is removed.
- ◆ Lift the rear flap (9) and slide the mulching insert (26) fully into the mower as shown in figure L.
- ◆ Lift the side flap (28) and hook side discharge attachment (27) onto the mower as shown in figure M.
- ◆ Release the side flap and ensure the attachment holds in place before turning mower on as shown in the insert of figure M.

Operation

Warning! Let the mower work at its own pace. Do not overload.

Adjusting handle height (fig. N)

- ◆ Open both lower-handle attachment levers (6).
- ◆ Adjust the handle so the arrow (18) on the base of the mower lines up with 1, 2, or 3 on the base of the handle (19). ensure the handle is set to the same number on both sides of the mower.
- ◆ Close both levers and ensure the handle is firmly latched.

Adjusting mower height (fig. O)

The height of cut is adjusted by the central cut height adjust lever, there are 7 positions to choose from.

Note: If you are not sure which height to cut, begin mowing with the height adjustment lever (7) in position 7 and adjust the height down as needed, as shown in figure O.

To set the height of cut:

- ◆ Pull the mower height adjustment lever out of the locking notch.
- ◆ Move the lever towards the rear of the appliance to lower the height of cut.
- ◆ Move the lever towards the front of the appliance to raise the height of cut.
- ◆ Push the height adjustment lever into one of the 7 locking notches.

Safety key

Warning! In order to prevent accidental start-up or unauthorized use of your cordless Mower, a removable safety key (29) has been incorporated into the design of your mower. The mower will be completely disabled when the safety key has been removed from the mower.

Note: The safety key has a hole in the centre to allow for storage on a nail, out of the reach of children. Do not tether safety key to mower.

- ◆ Insert safety key (29) into the switch housing until it is fully seated inside housing as shown in figure P. The mower is now operational.
- ◆ Your mower is equipped with a special on-off switch box. To operate the mower, push the button (30) on the switch box (1), then pull the bail handle (2) to the handlebar as shown in figure Q.
- ◆ To turn the mower off, just release the bail handle.

Warning! Never attempt to lock a switch or bail handle in the on position.

Note: Once the bail handle has returned to the original position it will activate the “Automatic braking Mechanism”. The motor is electrically braked and the mower blade will stop rotating in 3 seconds or less.

Mower overload

To prevent damage due to overload conditions, do not try to remove too much grass at one time. Slow down your cutting pace, or raise the cut height.

EdgeMax™

EdgeMax™ (13) allows you to cut grass right up to the edge of a wall or fence (fig. R). EdgeMax™ allows you to accurately cut grass right up to the edge of your lawn (fig. R1).

- ◆ With the lawn mower parallel to the edge of your lawn, push the lawn mower along the edge of the lawn. ensure that the EdgeMax™ is slightly over the edge of your lawn (fig. R1).

Note: When the side discharge attachment is attached EdgeMax™ can only be used on the right side of the mower.

Auto sense™ Technology

Auto sense™ Technology determines the thickness of grass and makes power adjustments accordingly. For thicker grass, the mowers kick into high power while in lighter grass, the mowers lower the power output to conserve battery life and extend runtime

Storage

Warning! Rotating blade can cause serious injury. Release bail handle (2) to turn mower off, remove safety key, and remove battery before lifting, transporting, or storing the mower. Store in a dry place.

Warning! To avoid being pinched, keep fingers away from area between handles when folding down handles.

Warning! Make sure cord does not become stretched or pinched in the joints of the handles during folding. This can cause damage to the cord.

The handle of the mower can be easily folded down for quick and convenient storage.

- ◆ Holding onto the handle, open, but do not remove, the lower-handle attachment levers (6) and fold the handle to the front of the mower as shown in figure S.
- ◆ Open, but do not remove, the upper-handle attachment levers (5) and fold the upper handle (3) back over the lower handle (4) as shown in figure T.
- ◆ The mower should be compacted down as shown in figure U.

Carrying the mower

- ◆ The mower can be carried using the convenient carry handles (12) as shown in figure V. **DO NOT** attempt to lift the mower by grasping the upper handle (3) or lower handle (4).

Mowing tips

Warning! Always inspect area where mower is to be used and remove all stones, sticks, wire, bones, and other debris which might be thrown by the rotating blade.

Warning! Mow across the face of slopes, never up-and-down. Exercise extreme caution when changing direction on slopes. Do not mow excessively steep slopes. Always maintain good footing.

- ◆ Release bail handle to turn mower “Off” when crossing any gravel area (stones can be thrown by the blade).
- ◆ Set mower at highest cutting height when mowing in rough ground or in tall weeds. Removing too much grass at one time can cause the motor to be overloaded and to stop. Refer to troubleshooting guide.
- ◆ If a grass collection bag (8) is used during the fast growing season, the grass may tend to clog up at the discharge opening. Release bail handle to turn mower off and remove the safety key. Remove the catcher and shake the grass down to the back end of the bag. Also clean out any grass or debris which may be packed around the discharge opening. Replace the grass catcher.
- ◆ If mower should start to vibrate abnormally, release bail handle to turn mower off and remove safety key. Check immediately for cause. Vibration is a warning of trouble. Do not operate mower until a service check has been made. Refer to troubleshooting guide in manual.
- ◆ Always release bail handle to turn mower off and remove safety key when leaving it unattended even for a short period of time.

Tips for optimum use:

- ◆ Slow down in areas where the grass is especially long or thick.
- ◆ Avoid mowing when the grass is wet from rain or dew-soaked.

- ◆ Cut your lawn frequently, especially during high growth periods.

Note: It is recommended that your mower be recharged after use to prolong the battery life. Frequent charging will not harm your battery, and will ensure that the battery is fully charged and ready for its next use. Storing battery not fully charged will shorten battery life.

Removing and installing blade

Warning! When reassembling the blade system, ensure each part is reinstalled correctly, as described below.

Improper assembly of the blade or other parts of the blade system may cause serious injury.

Warning! Release bail handle to turn mower off, wait for the blade to stop, and remove safety key and battery pack.

- ◆ Cut a piece of 2x4 wood (31) (about 2 feet long) (610 mm) to keep blade from turning while removing bolt (32).
- ◆ Wear gloves and proper eye protection.
- ◆ Turn the mower on its side. Be careful of sharp edges of blade. Position wood and unscrew bolt with 1/2" wrench (33) as shown in figure W.
- ◆ Remove bolt and washer (34). pull off blade (35) as shown in figure X. The fan (36) should not be removed. Examine all pieces for damage and replace if necessary.
- ◆ The blade can only be attached to the fan in one direction. To reassemble, line up the d-shaped hole of the blade with the d-shaped post of the fan, ensuring the writing on the blade faces out away from the mower.
- ◆ To tighten firmly, position the piece of wood as shown in figure Y to keep the blade from turning. Slide the bolt through the washer and screw bolt into place. Tighten with the wrench.

Blade sharpening

Keep blade sharp for best mower performance. A dull blade does not cut grass cleanly. Use proper eye protection while removing, sharpening, and installing blade. Ensure that safety key and battery pack is removed.

Sharpening the blade twice during a mowing season is usually sufficient under normal circumstances. Sand causes the blade to dull quickly. If your lawn has sandy soil, more frequent sharpening may be required.

Note: Replace bent or damaged blade immediately.

When sharpening the blade:

- ◆ Make sure blade remains balanced.
- ◆ Sharpen blade at the original cutting angle.
- ◆ Sharpen cutting edges on both ends of blade, removing equal amounts of material from both ends.

To sharpen blade in a vise (fig. Z)

- ◆ Be sure the bail handle is released, the blade has stopped and safety key and battery pack removed before removing the blade.

- ◆ Remove blade from mower. See instructions for removing and installing blade.
- ◆ Secure blade (35) in a vise (38).
- ◆ Wear proper eye protection and gloves and be careful not to cut yourself. Carefully file the cutting edges of the blade with a fine tooth file (39) or sharpening stone, maintaining the angle of the original cutting edge. Check balance of blade. See instructions for blade balancing. Replace blade on mower and tighten securely.

Blade balancing (fig. Z1)

Check balance of the blade (35) by placing centre hole in the blade over a nail or round shank screwdriver (40), clamped horizontally in a vise (38). if either end of the blade rotates downward, file along the sharp edge of that dropping end. Blade is properly balanced when neither end drops.

Lubrication

No lubrication is necessary. Do not oil the wheels. They have plastic bearing surfaces which require no lubrication.

Cleaning

Release bail handle (2) to turn mower off, let the blade come to a stop and then remove safety key. Use only mild soap and a damp cloth to clean the mower. Clean out any clippings which may have accumulated on the underside of the deck. After several uses, check all exposed fasteners for tightness.

Preventing corrosion

Fertilizers and other garden chemicals contain agents which greatly accelerate the corrosion of metals. If you mow in areas where fertilizers or chemicals have been used, the mower should be cleaned immediately afterward as follows: Release bail handle (2) to turn mower off and remove safety key and battery. Wipe all exposed parts with a damp cloth.

Maintenance

Your BLACK+DECKER corded/cordless appliance/tool has been designed to operate over a long period of time with a minimum of maintenance. Continuous satisfactory operation depends upon proper tool/appliance care and regular cleaning.

Your charger does not require any maintenance apart from regular cleaning.

Warning! Before performing any maintenance on corded/cordless power tools:

- ◆ Switch off and unplug the appliance/tool.
- ◆ Or run the battery down completely if it is integral and then switch off.
- ◆ Unplug the charger before cleaning it. Your charger does not require any maintenance apart from regular cleaning.
- ◆ Regularly clean the ventilation slots in your tool/appliance and charger using a soft brush or dry cloth.

- ◆ Regularly clean the motor housing using a damp cloth. Do not use any abrasive or solvent-based cleaner.
- ◆ Regularly use a blunt scraper to remove grass and dirt from the underneath of the guard.

Troubleshooting

If your appliance seems not to operate properly, follow the instructions below. If this does not solve the problem, please contact your local BLACK+DECKER repair agent.

Warning! Before proceeding, release the bail bar to turn mower off, wait for the blade to stop and remove the safety

Problem	Possible solution
Mower doesn't run when bail handle is activated.	Check to make sure safety key has been installed and is fully seated and that button on switch housing is being completely depressed before pulling bail handle.
	Release bail handle to turn mower off. Remove safety key and battery pack, turn mower over and check that blade is free to turn.
	Has battery been fully charged? Plug in charger and wait for green light to come on
Motor stops while mowing.	Release bail handle to turn mower off. Remove safety key and battery pack. Turn mower over and check that blade is free to turn.
	Raise cutting height of wheels to highest position and start mower.
	Check that the battery cavity is free of debris and is connected properly.
	Has battery been fully charged? Press state of charge button.
Mower runs but cutting performance is unsatisfactory, or does not cut entire lawn.	Avoid overloading the mower. Slow down the cutting pace, or raise the cut height.
	Has battery been fully charged? Press state of charge button.
	Release bail handle to turn mower off. Remove safety key and battery pack. Turn mower over and check: <ul style="list-style-type: none"> ◆ Blade for sharpness - Keep blade sharp. ◆ Deck and discharge chute for clogging.
	Wheel height adjustment may be set too low for grass condition. Raise cutting height.
Mower is too hard to push.	Release bail handle to turn mower off. Remove safety key and battery pack. Raise cutting height to reduce deck drag on grass. Check each wheel for free rotation

Problem	Possible solution
Mower is abnormally noisy and vibrates.	Release bail handle to turn mower off. Remove safety key and battery pack. Turn mower on side and check blade to ensure it has not been bent or damaged. If blade is damaged, replace with a BLACK+DECKER replacement blade. If the underside of the deck is damaged, return mower to a BLACK+DECKER Authorized service center.
	If there is no visible damage to the blade and the mower still vibrates: <ul style="list-style-type: none"> ◆ Release bail handle to turn mower off. ◆ Remove safety key and battery pack. ◆ Disassemble entire blade assembly as described in the "Removing and installing blade" section. ◆ Remove any debris and clean each piece. ◆ Replace each piece as described in the "Removing and installing blade" section.
	If mower still vibrates, return the mower to an authorized BLACK+DECKER authorized service center.
Battery charger LEDs not on.	Check plug connection.
	Replace charger.
Mower not picking up clippings with bag.	Chute clogged. Release bail handle to turn mower off. Remove safety key and battery pack. Clear chute of grass clippings.
	Raise cutting height of wheels to shorten length of the cut.
	Bag full. Empty bag more often.

Protecting the environment



Separate collection. Products and batteries marked with this symbol must not be disposed of with normal household waste.

Products and batteries contain materials that can be recovered or recycled, reducing demand for raw materials. Please recycle electrical products and batteries according to local provisions. Further information is available at www.2helpU.com

Technical data

CLMA4825L2 H1		
Input Voltage	V _{DC}	36V
No-Load Speed	min ⁻¹	2900
Weight	kg	net weight 21.24KG gross 25.95KG
Battery		BL2536
Voltage	V _{DC}	36
Capacity	Ah	2.5
Type		Li-Ion

The undersigned is responsible for compilation of the technical file and makes this declaration on behalf of Black & Decker.

R. Laverick
 Director of Engineering
 Black & Decker Europe, 210 Bath Road, Slough,
 Berkshire, SL1 3YD
 United Kingdom
 18/12/2018

CLMA4825L2 H1		
Charger		90616337-xx
Input Voltage	V _{AC}	230
Output Voltage	V _{DC}	36
Current	mA	1300
Approx. charge time	min	110

Hand/arm weighted vibration value:
 = < 0,5 m/s² , uncertainty (K) = 1,5 m/s².

L_{PA} (sound pressure) 75 dB(A)
 uncertainty (K) = 3 dB(A)

**EC declaration of conformity
 MACHINERY DIRECTIVE
 OUTDOOR NOISE DIRECTIVE**



CLMA4825L2 Autosense lawn mower

Black & Decker declares that these products described under "technical data" are in compliance with:

EN60335-1:2012+A11:2014+A13:2017, EN60335-2-77:2010

2000/14/EC, Lawn Mower, L < 50cm, Annex VI,

DEKRA Certification B.V. Meander 1051 / P.O. Box 5185
 6825 MJ ARNHEM / 6802 ED ARNHEM, Netherlands
 Notified Body ID No.: 0344

Level of acoustic power according to 2000/14/EC (Article 12, Annex III, L ≤ 50 cm):

L_{WA} (measured sound power) 89 dB(A)
 uncertainty (K) = 3 dB(A)

L_{WA} (guaranteed sound power) 96 dB(A)

These products also comply with directive
 2006/42/EC, 2014/30/EU and 2011/65/EU.

For more information, please contact Black & Decker at the following address or refer to the back of the manual.

Guarantee

Black & Decker is confident of the quality of its products and offers consumers a 24 month guarantee from the date of purchase. This guarantee is in addition to and in no way prejudices your statutory rights. The guarantee is valid within the territories of the Member States of the European Union and the European Free Trade Area.

To claim on the guarantee, the claim must be in accordance with Black&Decker Terms and Conditions and you will need to submit proof of purchase to the seller or an authorised repair agent. Terms and conditions of the Black&Decker 2 year guarantee and the location of your nearest authorised repair agent can be obtained on the Internet at www.2helpU.com, or by contacting your local Black & Decker office at the address indicated in this manual.

Please visit our website www.blackanddecker.co.uk to register your new Black & Decker product and receive updates on new products and special offers.

Verwendungszweck

Ihr BLACK & DECKER CLMA4825L2 Autosense-Rasenmäher wurde zum Rasenmähen entwickelt. Dieses Gerät ist nicht für den gewerblichen Einsatz vorgesehen.

Sicherheitshinweise

Warnung! Beachten Sie beim Umgang mit kabellosen Geräten stets die grundlegenden Sicherheitshinweise, die im Folgenden beschrieben werden. Dadurch verhindern Sie Brände, Stromschläge sowie Sach- und Personenschäden.

Warnung! Beachten Sie beim Verwenden des Geräts unbedingt die Sicherheitsregeln. Lesen Sie zu Ihrer eigenen Sicherheit und zum Schutz in der Nähe befindlicher Personen vor Gebrauch des Geräts die folgende Bedienungsanleitung. Heben Sie diese Anleitung zur späteren Verwendung gut auf.

- ◆ Lesen Sie diese Anleitung vollständig und aufmerksam durch, bevor Sie das Gerät verwenden.
- ◆ Der vorgesehene Verwendungszweck ist in dieser Anleitung beschrieben. Bei Verwendung von Zubehör oder Anbauteilen, die nicht in dieser Anleitung empfohlen werden, sowie bei der Verwendung des Geräts in Abweichung von den in dieser Anleitung beschriebenen Verfahren besteht Verletzungsgefahr.
- ◆ Bewahren Sie diese Anleitung auf.

Verwendung des Geräts

Verwenden Sie das Gerät stets mit Umsicht.

- ◆ Das Gerät ist nicht für die unbeaufsichtigte Verwendung durch Kinder oder gebrechliche Personen vorgesehen.
- ◆ Das Gerät ist kein Spielzeug.
- ◆ Achten Sie darauf, dass sich im Arbeitsbereich keine Kinder oder Tiere aufhalten.
Verhindern Sie, dass Kinder das Gerät oder das Netzkabel berühren.
- ◆ Seien Sie besonders vorsichtig, wenn Sie das Gerät in der Nähe von Kindern verwenden.
- ◆ Verwenden Sie das Gerät nur in trockener Umgebung. Achten Sie darauf, dass das Gerät nicht nass wird.
- ◆ Tauchen Sie das Gerät nicht in Wasser.
- ◆ Versuchen Sie nicht, das Gehäuse zu öffnen.
Es gibt keine vom Benutzer zu wartenden Teile im Inneren des Lasers.
- ◆ Betreiben Sie das Gerät nicht in explosionsgefährdeter Umgebung, in der sich brennbare Flüssigkeiten, Gase oder Staub befinden.
- ◆ Ziehen Sie niemals am Kabel, wenn Sie den Stecker aus der Steckdose ziehen möchten. Kabel und Stecker könnten sonst beschädigt werden.

Nach dem Gebrauch

- ◆ Bewahren Sie das Gerät bei Nichtgebrauch an einem trockenen, gut belüfteten Ort außerhalb der Reichweite von Kindern auf.
- ◆ Kinder sollten keinen Zugang zu aufbewahrten Geräten haben.

Zusätzliche Sicherheitshinweise für Rasenmäher

- ◆ Halten Sie den Rasenmäher während des Betriebs sicher mit beiden Händen fest.
- ◆ Halten Sie beide Hände in der Betriebsposition, wenn der Rasenmäher gekippt werden muss. Halten Sie beide Hände in der Betriebsposition bis der Rasenmäher wieder ordnungsgemäß auf dem Boden abgestellt wurde.
- ◆ Tragen Sie beim Rasenmähen keine Kopfhörer zum Musikhören.
- ◆ Passen Sie niemals die Höhe der Räder an, während der Motor läuft oder sich der Sicherheitsschlüssel im Schloss befindet.
- ◆ Lassen Sie den Bügelschalter los, und entfernen Sie den Sicherheitsschlüssel, um den Rasenmäher auszuschalten, wenn dieser blockiert. Warten Sie, bis das Messer zum Stillstand gekommen ist, bevor Sie versuchen, die Verstopfung zu beseitigen oder Gegenstände von der Unterseite zu entfernen.
- ◆ Halten Sie Hände und Füße vom Schnittbereich fern.
- ◆ Halten Sie die Sägeblätter scharf. Tragen Sie beim Umgang mit dem Messer des Rasenmähers stets Schutzhandschuhe.
- ◆ Wenn der Grasfangbehälter verwendet wird, muss dieser regelmäßig auf Abnutzungen und Beschädigungen überprüft werden. Wechseln Sie aus

- ◆ Wenn das Gerät in einem Fahrzeug transportiert oder gelagert wird, bewahren Sie es im Kofferraum oder einer geeigneten Ablage auf, damit es bei plötzlichen Geschwindigkeits- oder Richtungsänderungen nicht in Bewegung geraten kann.

Inspektion und Reparaturen

- ◆ Prüfen Sie das Gerät vor der Verwendung auf beschädigte oder defekte Teile.
Prüfen Sie, ob Teile gebrochen sind, Schalter beschädigt sind oder andere Bedingungen vorliegen, die die Funktion beeinträchtigen könnten.
- ◆ Betreiben Sie das Gerät nicht, wenn ein Teil beschädigt oder defekt ist.
- ◆ Lassen Sie beschädigte oder defekte Teile in einer Vertragswerkstatt reparieren oder austauschen.
- ◆ Ersetzen oder entfernen Sie keine Teile, für die in dieser Anleitung keine entsprechende Beschreibung enthalten ist.
- ◆ Gehen Sie bei Einstellungen am Rasenmäher vorsichtig vor, um zu verhindern, dass Ihre Finger zwischen den beweglichen Messern/Teilen und feststehenden Teilen des Geräts eingeklemmt werden.
- ◆ Beachten Sie bei Wartungsarbeiten an den Messern, dass sich diese auch ohne Stromversorgung bewegen.

Sicherheitsgründen den Grasfangbehälter bei starker Abnutzung aus.

- ◆ Seien Sie besonders vorsichtig, wenn Sie den Rasenmäher wenden oder in Ihre Richtung ziehen.
- ◆ Bringen Sie Hände oder Füße nicht in die Nähe bzw. unter den Rasenmäher. Halten Sie jederzeit einen Sicherheitsabstand zur Auswurföffnung.
- ◆ Entfernen Sie Steine, Äste, Drähte, Spielzeuge, Knochen usw., die in das Messer geraten könnten, aus dem Bereich, in dem der Rasenmäher verwendet wird.
- ◆ Objekte, die in das Messer geraten, können ernsthafte Verletzungen verursachen. Bleiben Sie hinter dem Griff, wenn der Motor läuft.
- ◆ Betreiben Sie den Rasenmäher weder barfuß noch mit Sandalen. Tragen Sie jederzeit festes Schuhwerk.
- ◆ Ziehen Sie den nur Rasenmäher nur rückwärts, wenn dies unbedingt erforderlich ist.
- ◆ Achten Sie stets auf den Boden und den Bereich hinter Ihnen, bevor und während Sie sich rückwärts bewegen.
- ◆ Achten Sie darauf, dass das Material nicht in Richtung von Personen ausgeworfen wird. Achten Sie darauf, dass das Material nicht in Richtung von Wänden oder anderen Gegenständen ausgeworfen wird. Das Material kann gegen den Bediener zurückgeschleudert werden. Lassen Sie den Bügelschalter los, und warten Sie, bis das

Messer zum Stillstand gekommen ist, bevor Sie Kiesoberflächen überqueren.

- ◆ Betreiben Sie den Rasenmäher nicht ohne angebrachten und intakten Grasfangbehälter, Auswurfschutz, hinteren Schutz und andere Schutzvorrichtungen. Überprüfen Sie regelmäßig alle Schutz- und Sicherheitsvorrichtungen auf deren ordnungsgemäße Funktion. Ersetzen Sie beschädigte Schutz- und Sicherheitsvorrichtungen vor der weiteren Verwendung.
- ◆ Lassen Sie den eingeschalteten Rasenmäher niemals unbeaufsichtigt. Entfernen Sie stets den Sicherheitsschlüssel, wenn Sie den Rasenmäher unbeaufsichtigt lassen.
- ◆ Lassen Sie stets den Bügelschalter los, warten Sie, bis das Messer zum Stillstand gekommen ist, und entfernen Sie den Sicherheitsschlüssel, wenn Sie den Rasenmäher reinigen, den Grasfangbeutel entfernen, Verstopfungen aus der Auswurföffnung beseitigen, den Rasenmäher unbeaufsichtigt lassen bzw. Anpassungen vornehmen oder Reparaturen und Inspektionen ausführen.
- ◆ Betreiben Sie den Rasenmäher nur bei Tageslicht oder bei ausreichender Beleuchtung, sodass Gegenstände auf dem Schnittweg vom Betriebsbereich des Rasenmähers aus deutlich sichtbar sind.
- ◆ Betätigen Sie den Rasenmäher nicht, wenn Sie unter Alkohol- oder Drogen Einfluss stehen oder wenn Sie müde

oder krank sind. Bleiben Sie immer aufmerksam, achten Sie darauf, was sie tun und setzen Sie den gesunden Menschenverstand ein.

- ◆ Meiden Sie gefährliche Umgebungen. Betreiben Sie den Rasenmäher nicht in feuchtem oder nassem Gras. Verwenden Sie den Rasenmäher keinesfalls im Regen. Achten Sie auf Trittsicherheit. Betreiben Sie das Gerät nur im Gehen, nie rennend.
 - ◆ Lassen Sie den Bügelschalter los, warten Sie, bis das Messer zum Stillstand gekommen ist, und entfernen Sie den Sicherheitsschlüssel, wenn Sie ungewöhnliche Vibrationen des Rasenmähers bemerken, und prüfen Sie die Ursache. Im Allgemeinen deutet Vibration auf ein Problem hin. Im Fall einer ungewöhnlichen Vibration des Geräts finden Sie unter „Problembehebung“ weitere Informationen.
 - ◆ Tragen Sie beim Betreiben des Rasenmähers stets geeigneten Augen- und Atemschutz.
 - ◆ Der Gebrauch von Zubehörteilen oder Zusätzen, die nicht für den Gebrauch mit dem Rasenmäher empfohlen werden, kann gefährlich sein. Verwenden Sie nur von BLACK+DECKER genehmigtes Zubehör.
 - ◆ Beugen Sie sich nicht zu weit nach vorne, wenn Sie den Rasenmäher betreiben.
- Achten Sie während des Betriebs des Rasenmähers stets auf Ihre Standfestigkeit und Ihr Gleichgewicht.

- ◆ Mähen Sie stets parallel zum Hang, nie den Hang hinauf oder hinunter. Arbeiten Sie mit äußerster Vorsicht, wenn Sie an Hängen die Richtung wechseln.
- ◆ Achten Sie auf Löcher, Wurzeln, Bodenunebenheiten, Steine und andere verborgene Objekte. Unebenes Gelände kann zu Unfällen durch Stürze führen. Hohes Gras kann Hindernisse verbergen.
- ◆ Mähen Sie nie nasses Gras. Mähen Sie nicht an steilen Hängen. Mangelnde Standfestigkeit kann zu Unfällen durch Stürze führen.
- ◆ Mähen Sie nicht in der Nähe von Abhängen, Gräben oder Böschungen. Es besteht die Gefahr, dass Sie ausrutschen oder das Gleichgewicht verlieren.
- ◆ Lassen Sie den Rasenmäher vor der Lagerung stets abkühlen.

Sicherheit anderer Personen

- ◆ Dieses Gerät darf von Kindern ab 8 Jahren und Personen mit eingeschränkten körperlichen, sensorischen oder geistigen Fähigkeiten sowie mangelnder Erfahrung und Wissen in Bezug auf dessen Gebrauch bedient werden, wenn sie bei der Verwendung des Geräts beaufsichtigt oder angeleitet werden und die möglichen Gefahren verstehen.
- ◆ Kinder dürfen nicht mit dem Gerät spielen. Reinigung und Wartungsarbeiten dürfen von Kindern nur unter Aufsicht durchgeführt werden.

Restrisiken

Beim Gebrauch dieses Geräts verbleiben zusätzliche Restrisiken, die möglicherweise nicht in den Sicherheitswarnungen genannt werden. Diese Risiken bestehen beispielsweise bei Missbrauch oder längerem Gebrauch.

Auch bei der Einhaltung der entsprechenden Sicherheitsvorschriften und der Verwendung aller Sicherheitsgeräte bestehen weiterhin bestimmte Restrisiken. Diese sind:

- Verletzungen, die durch das Berühren von sich drehenden/bewegenden Teilen verursacht werden.
- Verletzungen, die durch das Austauschen von Teilen, Messern oder Zubehör verursacht werden.
- Verletzungen, die durch längeren Gebrauch eines Geräts verursacht werden. Legen Sie bei längerem Gebrauch regelmäßige Pausen ein.
- Beeinträchtigung des Gehörs.
- Gesundheitsrisiken durch das Einatmen von Staub beim Verwenden des Geräts (beispielsweise bei Holzarbeiten, insbesondere Eiche, Buche und MDF.)

Warnsymbole

Die folgenden Warnsymbole sind am Gerät inkl. Datumscode angebracht:



Warnung! Lesen Sie vor Inbetriebnahme die Bedienungsanleitung.



Schützen Sie das Gerät vor Feuchtigkeit und Regen.



Vorsicht: Die Messer sind scharf. Das Messer dreht sich auch nach dem Ausschalten des Geräts weiter. Entfernen Sie stets den Sicherheitsschlüssel, bevor Sie den Rasenmäher reinigen, den Grasfangbeutel entfernen, Verstopfungen aus der Auswurföffnung beseitigen, den Rasenmäher unbeaufsichtigt lassen bzw. Anpassungen vornehmen oder Reparaturen und Inspektionen ausführen.



Achten Sie auf Gegenstände, die eventuell umhergeschleudert werden. Halten Sie andere Personen von der Schneidzone fern.



Tragen Sie Augenschutz



Garantierter Schalldruckpegel, gemessen nach Richtlinie 2000/14/EG.

Zusätzliche Sicherheitshinweise für Akkus und Ladegeräte

Akkus

- Keinesfalls versuchen, den Akku zu öffnen.
- Achten Sie darauf, dass der Akku nicht mit Wasser in Berührung kommt.
- Setzen Sie den Akku keinen hohen Temperaturen aus.



Versuchen Sie nie, beschädigte Akkus aufzuladen.

- Nicht bei Temperaturen über 40 °C lagern.
- Laden Sie den Akku ausschließlich bei Umgebungstemperaturen zwischen 10 °C und 40 °C.
- Verwenden Sie ausschließlich das mit dem Gerät gelieferte Ladegerät. Das Verwenden eines falschen Ladegeräts kann zu einem Stromschlag oder dem Überhitzen des Akkus führen.
- Beachten Sie bei der Entsorgung von Batterien und Akkus die Hinweise im Abschnitt "Umweltschutz".
- Der Akku darf nicht durch mechanische Krafteinwirkung oder Belastungen beschädigt oder verformt werden. Andernfalls besteht Verletzungs- und Brandgefahr.
- Laden Sie beschädigte Akkus nicht auf.
- Unter extremen Bedingungen können Batterien undicht werden. Wenn Sie feststellen, dass aus dem Akku Flüssigkeit austritt, wischen Sie diese vorsichtig mit einem Tuch ab. Vermeiden Sie Hautkontakt.
- Beachten Sie nach Haut- oder Augenkontakt die folgenden Hinweise.

Warnung! Batteriesäure kann Sach- oder Personenschäden verursachen. Spülen Sie die Säure bei Hautkontakt sofort mit Wasser ab. Suchen Sie einen Arzt auf, wenn sich auf der Haut Rötungen, Reizungen oder andere Irritationen zeigen. Spülen Sie das Auge nach Augenkontakt sofort mit sauberem Wasser aus, und suchen Sie einen Arzt auf.

Ladegeräte

Das Ladegerät ist für eine bestimmte Spannung ausgelegt. Stellen Sie sicher, dass die Netzspannung der auf dem Typenschild des Geräts angegebenen Spannung entspricht.

Warnung! Ersetzen Sie das Ladegerät keinesfalls durch ein normales Netzkabel.

- Verwenden Sie das BLACK+DECKER Ladegerät nur für den Akku des Geräts, mit dem es geliefert wurde. Andere Akkus können platzen und Sachschäden oder Verletzungen verursachen.
- Versuchen Sie keinesfalls, nicht aufladbare Batterien zu laden.
- Bei einer Beschädigung des Netzkabels muss dieses durch den Hersteller oder eine BLACK+DECKER Vertragswerkstatt ausgetauscht werden, um mögliche Gefahren zu vermeiden.
- Achten Sie darauf, dass das Ladegerät nicht mit Wasser in Berührung kommt.
- Versuchen Sie nicht, das Ladegerät zu öffnen.
- Nehmen Sie am Ladegerät keine Veränderungen vor.
- Beim Laden des Geräts/Akkus muss auf ausreichende Belüftung geachtet werden.



Das Ladegerät darf nur im Innenbereich verwendet werden.



Vor Gebrauch die Anleitung lesen.

Elektrische Sicherheit



Das Ladegerät ist schutzisoliert, daher ist keine Erdleitung erforderlich. Stellen Sie sicher, dass die Netzspannung der auf dem Typenschild des Geräts angegebenen Spannung entspricht. Ersetzen Sie das Ladegerät keinesfalls durch ein normales Netzkabel.

- Bei einer Beschädigung des Netzkabels muss dieses durch den Hersteller oder eine BLACK+DECKER Vertragswerkstatt ausgetauscht werden, um mögliche Gefahren zu vermeiden.

Laden des Akkus (Abb. A)

Der Akku muss vor der erstmaligen Benutzung sowie immer dann aufgeladen werden, wenn das Gerät nicht mehr mit voller Leistung arbeitet.

Der Akku kann sich während des Aufladens erwärmen. Das ist normal und deutet nicht auf ein Problem hin.

Warnung! Laden Sie den Akku nicht, wenn die Umgebungstemperatur unter 10 °C oder über 40 °C liegt. Empfohlene Ladetemperatur: ca. 24 °C.

Hinweis: Ein Akku, bei dem die Temperatur der Akkuzellen unter ca. 10 °C oder über 40 °C liegt, wird vom Ladegerät nicht geladen.

Lassen Sie in diesem Fall den Akku im Ladegerät. Das Ladegerät beginnt automatisch mit dem Ladevorgang, sobald sich die Zellen erwärmt bzw. abgekühlt haben.

- Stecken Sie das Ladegerät in eine geeignete Steckdose ein, bevor Sie den Akku einsetzen.
- Setzen Sie den Akku in das Ladegerät ein.



Die grüne LED blinkt, wenn der Akku geladen wird.



Der Abschluss der Ladung wird durch die grüne LED noch auf kontinuierlich angezeigt. Dieses Paket ist vollständig aufgeladen und kann zu diesem Zeitpunkt in das Ladegerät eingesetzt oder links

Warnung! Laden Sie entladene Akkus so bald wie möglich nach dem Gebrauch wieder auf, da sonst die Batteriebensdauer stark verringert werden kann.

Diagnose des Ladegeräts

Das Ladegerät ist so konzipiert, dass es bestimmte Probleme erkennen kann, die am Akku oder der Stromquelle auftreten können. Probleme werden dadurch angezeigt, dass eine LED in verschiedenen Sequenzen blinkt.

Defekter Akku



Das Ladegerät kann einen schwachen oder beschädigten Akku erkennen. Die rote LED blinkt mit dem Muster, das auf dem Etikett angegeben ist. Wenn das Blinkmuster für einen defekten Akku zu sehen ist, laden Sie den Akku nicht weiter auf. Bringen Sie ihn zu einem Kundendienstzentrum oder einer Recycling-Sammelstelle.

Verzögerung heißer/kalter Akku



Wenn das Ladegerät erkennt, dass ein Akku übermäßig heiß oder kalt ist, startet es automatisch eine "Verzögerung heißer/kalter Akku", bis sich der Akku normalisiert hat. Danach schaltet das Ladegerät automatisch in den Akku-Lademodus. Diese Funktion gewährleistet eine maximale Lebensdauer des Akkus. Die rote LED blinkt mit dem Muster, das auf dem Etikett angegeben ist, wenn die "Verzögerung heißer/kalter Akku" erkannt wird.

Belassen des Akkus im Ladegerät

Sie können den Akku auch im Ladegerät belassen. In diesem Fall leuchtet die LED-Anzeige dauerhaft. Das Ladegerät hält den Akku in einem vollständig geladenen Zustand.

Merkmale

Dieses Gerät verfügt über einige oder alle der folgenden Merkmale:

- Schaltkasten
- Bügelgriff

- Oberer Griff
- Unterer Griff
- Befestigungshebel des oberen Griffs (2)
- Befestigungshebel des unteren Griffs (2)
- Verstellhebel für die Schnitthöhe
- Grasfangsack
- Abdeckung der Hintertür
- Akkuanchluss
- Batteriespeicherfach
- Tragegriffe
- EdgeMax™

Einsetzen und Entfernen des Akkus (Abb. B - C)

- drücken Sie die Entriegelungstaste der Batterieportabdeckung (14) und ziehen Sie die Batteriefachabdeckung (10) nach oben, um den Batterieport (10) freizulegen, wie in Abbildung B dargestellt.
- Schieben Sie die Batterie (16) in den Batterieport, bis sie vollständig sitzt und ein Klicken zu hören ist (Abbildung C). Stellen Sie sicher, dass der Akku vollständig sitzt und in Position eingerastet ist.
- Schließen Sie die Batterieportabdeckung. Stellen Sie vor dem Start des Rasenmähers sicher, dass die Abdeckung vollständig eingerastet ist.

Entfernen des Akkus (Abb. D)

- Öffnen Sie die Batterieportabdeckung (15).
- Drücken sie die Batterie-Auslösetaste (17) auf dem Akku und ziehen Sie den Akku aus dem Werkzeug heraus, wie in Abbildung D dargestellt.

Batteriespeicher

Mit dem Batteriespeicherfach (11) kann eine zusätzliche Batterie gespeichert werden.

- Heben Sie die Abdeckung des Speicherfachs an und schieben Sie die Batterie in das Fach, wie in Abbildung E dargestellt. Die Batterie in diesem Fach wird den Rasenmäher nicht in Bewegung setzen.
- Schrauben Sie die Schnellentriegelungen für das Griffoberteil (7) durch das Griffunterteil in die zugehörigen Muttern (20) bis zur Hälfte ein. Schließen Sie die Schnellentriegelungen (Abb. G). Wenn die Verbindung zwischen Griff und Schnellentriegelungen zu fest oder zu locker ist, justieren Sie die Tiefe der Schnellentriegelungen, und schließen Sie sie erneut, bis die Zähne vollständig ineinander greifen.

Montage

Warnung! Vergewissern Sie sich vor der Montage, dass das Gerät ausgeschaltet ist und dass Sicherheitsschlüssel und Akku entfernt wurden.

Anbringen des unteren Griffs (Abb. F)

- heben Sie den unteren Griff (4) in Position und stellen Sie sicher, dass der Pfeil (18) auf dem Boden des Rasenmähers bündig mit 1, 2 oder 3 auf dem Griff (19) abschließt (Einfügen von Abbildung F).

Hinweis! Stellen Sie sicher, dass jede Seite des unteren Griffs auf die gleiche Zahl eingestellt ist. Der Pfeil muss für den Betrieb mit 1, 2 oder 3 gesäumt sein.

- Schließen Sie die Verstellhebel für die Grifffhöhe (7), wie in Abbildung F dargestellt. Stellen Sie beim Schließen sicher, dass die Zähne eingerastet sind, wie in Abbildung G dargestellt.
- Ist die Verbindung zwischen dem Griff und dem Hebel zu eng oder locker, dann öffnen Sie den Hebel und justieren Sie die Tiefe des Hebels durch Drehen des Hebels. Schließen Sie ihn wieder, bis die Zähne vollständig eingerastet sind und jeder Hebel sicher geschlossen bleibt.

Anbringen des oberen Griffs (Abb. H)

- Entfernen Sie die Befestigungshebel des oberen Griffs (5), Muttern (20) und Unterlegscheiben (21) von dem Griff.
- Richten Sie die Löcher an der Unterseite des oberen Griffs (3) mit den Löchern auf der Oberseite des unteren Griffs (4) aus.

Hinweis: Stellen Sie sicher, dass das Netzkabel sich vorne an beiden Griffen befindet. Ist dies nicht der Fall, kann dies zu einem baumelnden Kabel und zur Unmöglichkeit, den Rasenmäher einfach zu lagern (Abb. I)

- Schieben Sie die Hebelschraube von der Außenseite des oberen Griffs (3) durch die Löcher.
- Schieben Sie die Unterlegscheibe über die Schraube des Hebels und montieren Sie den gesamten Zusammenbau locker mit der Mutter.
- Drehen Sie den oberen Griff in seine Betriebsposition.
- Schließen Sie den Hebel. Ist er zu fest oder zu locker, dann öffnen Sie den Hebel und die Mutter, um die Befestigung zu justieren. Prüfen Sie die Hebel, indem Sie sie schließen. Sie sollten fest genug sein, damit die Griffe fest gehalten werden, aber lose genug, damit die Hebel vollständig geschlossen werden können. Justieren Sie durch Öffnen des Hebels und Drehen der Mutter, bis die Griffe gesichert sind.

Sichern des Motorkabels (Abb. J)

Warnung: Befestigen Sie das Kabel in den Verbindungsstellen der Griffe während des Gebrauchs oder Zusammenklappens so, dass es nicht gespannt oder zusammengepresst wird. Dies kann Schaden am Netzkabel verursachen.

Das Motorkabel (22) muss mit den Kabelverbindungen (23), die bereits am Griff befestigt sind, um das Kabel an den Griff zu klemmen, an den Griffen befestigt werden.

- ◆ Bringen Sie die Griffe in Betriebsposition, siehe den Abschnitt "Befestigung des unteren Griffs".
- ◆ Führen Sie das Kabel an der Vorderseite der unteren und oberen Griffe nach oben.
- ◆ ziehen Sie die Kabelrückhaltung nach hinten.
- ◆ Schieben Sie das Motorkabel und den Clip und stellen Sie sicher, dass es in der Rückhaltung sitzt.

Absackung

- ◆ Stellen Sie sicher, dass die seitliche Entladebefestigung (27) (Abb. M) und der Mulcheinsatz (26) vor der Absackung entfernt werden.
- ◆ Heben Sie die hintere Türabdeckung (9) an und platzieren Sie den Grasauffangsack (8) auf dem Rasenmäher, so dass die Sackhaken (24) auf den Laschen (25) liegen, wie in Abbildung K dargestellt. Senken Sie dann die hintere Türabdeckung ab.

Mulchen

- ◆ Stellen Sie sicher, dass die seitliche Entladebefestigung (27) und der Auffangsack (8) nicht befestigt sind.
- ◆ Heben Sie die hintere Türabdeckung (9) und schieben Sie die Mulcheinsatz (26) vollständig in den Rasenmäher, wie in Abbildung L dargestellt.
- ◆ stellen Sie sicher, dass die hintere Tür vollständig schließt, bevor der Rasenmäher eingeschaltet wird.

Seitenauswurf

- ◆ Stellen Sie sicher, dass der Auffangsack (8) entfernt wird.
- ◆ Heben Sie die hintere Klappe (9) und schieben Sie die Mulcheinsatz (26) vollständig in den Rasenmäher, wie in Abbildung L dargestellt.
- ◆ Heben Sie die seitliche Klappe (28) und die seitliche Entladehakenbefestigung (27) auf den Rasenmäher, wie in Abbildung M dargestellt.
- ◆ Lösen Sie die seitliche Klappe und stellen Sie sicher, dass die Befestigung hält, bevor Sie den Rasenmäher einschalten, wie in Abbildung M dargestellt.

Betrieb

Warnung! Beschleunigen Sie den Arbeitsvorgang nicht mit Gewalt. Vermeiden Sie eine Überlastung.

Anpassung der Griffhöhe (Abb. N)

- ◆ Öffnen Sie beide Befestigungshebel (6) des unteren Griffs.
- ◆ Justieren Sie den Griff so, dass der Pfeil (18) auf unten am Rasenmäher bündig mit 1, 2 oder 3 unten am Griff (19) abschließt. Stellen Sie sicher, dass der Griff an beiden Seiten des Rasenmähers auf die gleiche Zahl eingestellt ist.
- ◆ Schließen Sie beide Hebel und stellen Sie sicher, dass der Griff fest eingerastet ist.

Anpassung der Rasenmäherhöhe (Abb. O)

Die Schnitthöhe kann mit dem zentralen Schnitthöhenverstellhebel angepasst werden. Es stehen sieben Positionen zur Auswahl.

Hinweis: Falls Sie sich nicht sicher sind, welche Höhe geschnitten werden soll, dann beginnen Sie mit dem Höhenverstellhebel (7) in Position 7 zu mähen und justieren Sie die Höhe bei Bedarf nach unten, wie in Abbildung O dargestellt. Einstellen der Schnitthöhe:

- ◆ Ziehen Sie den Verstellhebel für die Rasenmäherhöhe aus der Arretierungsnut.
- ◆ Zur Verringerung der Schnitthöhe schieben Sie den Hebel zum hinteren Teil des Mähers.
- ◆ Zur Erhöhung der Schnitthöhe schieben Sie den Hebel zum vorderen Teil des Mähers.
- ◆ Drücken Sie den Hebel für die Höheneinstellung in eine der sieben Arretiermuttern.

Sicherheitsschlüssel

Warnung! Um ein versehentliches Anfahren oder den unzulässigen Gebrauch Ihres schnurlosen Rasenmähers zu verhindern, wurde ein Sicherheitsschlüssel (29) in das Design Ihres Rasenmähers eingebaut. Der Rasenmäher wird vollständig deaktiviert, wenn der Sicherheitsschlüssel von dem Rasenmäher entfernt wurde.

Hinweis: Der Sicherheitsschlüssel hat ein Loch in der Mitte, damit er außerhalb der Reichweite von Kindern an einem Nagel aufgehängt werden kann. Binden Sie den Sicherheitsschlüssel nicht am Rasenmäher an.

- ◆ Stecken Sie den Sicherheitsschlüssel (29) in das Schaltergehäuse, bis er vollständig im Gehäuse sitzt, wie in Abbildung P dargestellt. Der Rasenmäher ist nun betriebsbereit.
- ◆ Ihr Rasenmäher ist mit einem speziellen Ein-Aus-Schaltkasten ausgestattet. Um den Rasenmäher zu bedienen, müssen Sie die Taste (30) auf dem Schaltkasten (1) drücken, ziehen Sie dann den Bügelgriff (2) zur Griffstange, wie in Abbildung Q dargestellt.
- ◆ Zum Ausschalten des Rasenmähers den Bügelgriff einfach lösen.

Warnung! Versuchen Sie niemals, einen Schalter oder Bügelgriff in der Einschaltstellung zu arretieren.

Hinweis: Sobald der Bügelgriff in die ursprüngliche Stellung zurückgekehrt ist, wird der "Automatische Bremsmechanismus" aktiviert. Der Motor wird elektronisch gebremst, und das Messer des Rasenmähers kommt innerhalb von 3 Sekunden zum Stillstand.

Rasenmäherüberlastung

Um Schäden aufgrund einer Überlastung zu vermeiden, versuchen Sie nicht, zu viel Gras auf einmal zu entfernen. Verlangsamen Sie Ihre Schnittgeschwindigkeit, oder heben Sie die Schnitthöhe an.

EdgeMax™

Mithilfe von EdgeMax™ (13) können Sie Gras bis direkt an die Kante einer Mauer oder eines Zaunes mähen (Abb. R). EdgeMax™ ermöglicht es, das Gras genau bis an die Rasenkante zu mähen (Abb. R1).

- ◆ Betreiben Sie den Rasenmäher parallel zu der Kante Ihres Rasens an der Kante des Rasens entlang. Stellen Sie sicher, dass der EdgeMax™ leicht über der Kante Ihres Rasens ist (Abb. R1)

Hinweis: Wenn die seitliche Entladebefestigung befestigt ist, kann der EdgeMax™ nur auf der rechten Seite des Rasenmähers verwendet werden.

Auto sense™ Technologie

Die Auto sense™ Technologie legt die Dicke des Grases fest und nimmt entsprechende Leistungsanpassungen vor. Bei dickerem Gras wechseln die Rasenmäher in eine höhere Leistung, während die Rasenmäher bei leichterem Gras in eine geringere Leistung wechseln, um Batterielebensdauer zu sparen und um die Laufzeit zu verlängern.

Aufbewahrung

Warnung! Das sich drehende Messer kann ernsthafte Verletzungen verursachen. Lassen Sie den Bügelgriff (2) los, um den Rasenmäher auszuschalten, entfernen Sie den Sicherheitsschlüssel und entfernen Sie die Batterie vor dem Anheben, Transport oder der Lagerung des Rasenmähers. Lagern Sie das Gerät an einem trockenen Ort.

Warnung! Um zu vermeiden, gequetscht zu werden, halten Sie die Finger beim Herunterklappen der Griffe aus dem Bereich zwischen den Griffen fern.

Warnung! Stellen Sie sicher, dass das Kabel in den Verbindungsstellen der Griffe während des Zusammenklappens nicht gespannt oder zusammengepresst wird. Dies kann Schäden am Netzkabel verursachen. Der Griff des Rasenmähers kann leicht heruntergeklappt werden für eine schnelle und bequeme Lagerung.

- ◆ Beim Halten des Griffs die Befestigungshebel des unteren Griffs (6) öffnen, aber nicht entfernen und den Griff zu der Vorderseite des Rasenmähers klappen, wie in Abbildung S dargestellt.
- ◆ Öffnen, aber entfernen Sie die Befestigungshebel des oberen Griffs (5) nicht und klappen Sie den Griff (3) über den unteren Griff (4) zurück, wie in Abbildung T dargestellt.
- ◆ Der Rasenmäher sollte zusammengeklappt werden, wie in Abbildung U dargestellt.

Tragen des Rasenmähers

- ◆ Der Rasenmäher kann mit den bequemen Tragegriffen (12) getragen werden, wie in Abbildung V dargestellt. **VERSUCHEN SIE NICHT** den Rasenmäher durch Greifen des oberen Griffs (3) oder unteren Griffs (4) zu heben.

Tipps für das Rasenmähen

Warnung! Kontrollieren Sie stets den Bereich, in dem der Rasenmäher verwendet werden soll, und entfernen Sie Steine, Äste, Drähte, Knochen usw., die in das Messer geraten könnten.

Warnung! Mähen Sie stets parallel zum Hang, nie den Hang hinauf oder hinunter. Arbeiten Sie mit äußerster Vorsicht, wenn Sie an Hängen die Richtung wechseln. Mähen Sie nicht an steilen Hängen. Achten Sie auf Trittsicherheit.

- ◆ Lassen Sie den Bügelgriff los, um den Rasenmäher auszuschalten, wenn Sie Bereiche mit Kies überqueren. (Steine können umhergeschleudert werden).
- ◆ Stellen Sie den Rasenmäher auf die größtmögliche Schnitthöhe ein, wenn Sie unebene Flächen oder hohes Gras mähen. Wenn zu viel Gras auf einmal geschnitten wird, kann dies eine Überlastung des Motors zur Folge haben und diesen zum Stillstand bringen. Weitere Informationen finden Sie unter "Problembehebung".
- ◆ Wenn der Grasfangbeutel (8) verwendet wird, während das Gras stark wächst, verfängt sich das Gras möglicherweise in der Auswurföffnung. Lassen Sie den Bügelgriff los, um den Rasenmäher auszuschalten, und entfernen Sie den Sicherheitsschlüssel. Entfernen Sie den Grasfangbeutel, und schütteln Sie das Gras in den Boden des Grasfangbeutels. Entfernen Sie zudem Gras und Verschmutzungen aus dem Bereich der Auswurföffnung. Tauschen Sie den Grasfangkorb aus.
- ◆ Beginnt der Rasenmäher unnormal zu vibrieren, dann lösen Sie den Bügelgriff, um den Rasenmäher auszuschalten und den Sicherheitsschlüssel zu herauszuziehen. Prüfen Sie sofort die Ursache. Vibrationen weisen auf eine Fehlfunktion hin. Betreiben Sie den Rasenmäher nicht mehr, bis eine Wartung durchgeführt wurde. Weitere Informationen finden Sie in dieser Anleitung unter "Problembehebung".
- ◆ Lassen Sie den Bügelgriff stets los, um den Rasenmäher auszuschalten, und entfernen Sie den Sicherheitsschlüssel, wenn Sie den Rasenmäher (auch kurzfristig) unbeaufsichtigt lassen.

Hinweise für optimale Arbeitsergebnisse:

- ◆ Arbeiten Sie in Bereichen mit besonders langem oder kräftigem Gras langsam.
- ◆ Mähen Sie nicht, wenn das Gras nass vom Regen oder vom Tau durchnässt ist.
- ◆ Mähen Sie den Rasen regelmäßig, besonders in Zeiten starken Wachstums.

Hinweis: Es wird empfohlen, dass Sie Ihren Rasenmäher nach dem Gebrauch wieder aufladen, um die Batterielebensdauer zu verlängern. Häufiges Laden schadet Ihrer Batterie nicht und wird sicherstellen, dass die Batterie vollständig aufgeladen und bereit für ihren nächsten

Einsatz ist. Die Lagerung einer nicht vollständig geladenen Batterie verkürzt die Batterielebensdauer.

Entfernen und Anbringen von Messern

Warnung! Stellen Sie beim Wiederzusammenbau des Messersystems sicher, dass jeder Teil korrekt neu installiert wird, wie unten beschrieben.

Ein unsachgemäßer Zusammenbau des Messer oder sonstiger Teile des Messersystems kann schwere Verletzungen verursachen.

Warnung! Lassen Sie den Bügelgriff los, um den Rasenmäher auszuschalten, warten Sie, bis das Messer zum Stillstand gekommen ist, und entfernen Sie den Sicherheitsschlüssel und Akku.

- ◆ Schneiden Sie ein Stück 2x4 Holz (31) (ungefähr 2 Fuß lang (610 mm), damit sich das Messer beim Entfernen der Schraube (32) nicht drehen kann.
- ◆ Tragen Sie Handschuhe und eine geeignete Schutzbrille.
- ◆ Kippen Sie den Rasenmäher auf die Seite. Achten Sie auf scharfe Messerklingen. Positionieren Sie das Holz und schrauben Sie die Schraube mit einem 1/2" Schraubenschlüssel ab, wie in Abbildung W dargestellt.
- ◆ Entfernen Sie Schraube und Unterlegscheibe (34). Ziehen Sie das Messer (35) heraus, wie in Abbildung X dargestellt. der Lüfter (36) darf nicht entfernt werden. Prüfen Sie alle Teile auf eventuelle Beschädigungen, und ersetzen Sie diese ggf.
- ◆ Das Messer kann nur in einer Richtung am Lüfter befestigt werden. Schließen Sie für den Wiederzusammenbau das d-förmige Loch des Messers mit dem d-förmigen Pfahl des Lüfters bündig ab und stellen Sie sicher, dass die Schrift auf dem Messer vom Rasenmäher weg zeigt.
- ◆ Positionieren Sie das Holzstück zum Festziehen, wie in Abbildung Y dargestellt, um zu verhindern, dass sich das Messer dreht. Schieben Sie die Schraube durch die Unterlegscheibe und schrauben Sie die Schraube an. Mit dem Schraubenschlüssel festziehen.

Schärfen des Messers

Halten Sie das Messer scharf, um stets eine optimale Leistung des Rasenmähers zu erzielen. Mit einem stumpfen Messer kann weder ordnungsgemäß gemäht werden. Verwenden Sie beim Entfernen, Schärfen und Anbringen des Messers einen geeigneten Augenschutz. Stellen Sie sicher, dass Sicherheitsschlüssel und Akku entfernt sind.

In der Regel ist es ausreichend, das Messer während der Mähseason zweimal zu schärfen. Sand führt dazu, dass das Messer rasch stumpf wird. Wenn Ihr Rasen einen sandigen Untergrund aufweist, muss das Messer möglicherweise häufiger geschärft werden.

Hinweis: Ersetzen Sie das verbogene oder beschädigte Messer umgehend.

Beim Schärfen des Messers:

- ◆ Stellen Sie sicher, dass das Messer ausbalanciert bleibt.
- ◆ Schärfen Sie das Messer im ursprünglichen Schnittwinkel.
- ◆ Schärfen Sie beide Enden des Messers, und entfernen Sie an beiden Enden die gleiche Menge Material.

So schärfen Sie ein Messer in einem Schraubstock (Abb. Z)

- ◆ Stellen Sie sicher, dass der Kugelgriff gelöst ist, das Messer sicher gestoppt hat und Sicherheitstaste sowie Akku vor dem Entfernen des Messers entfernt wurden.
- ◆ Entfernen Sie das Messer vom Rasenmäher. Siehe die Anweisungen zum Entfernen und Installieren des Messers.
- ◆ Sichern Sie das Messer (35) in einem Schraubstock (38).
- ◆ Tragen Sie einen ordnungsgemäßen Augenschutz und Handschuhe und achten Sie darauf, sich nicht selbst zu schneiden. Schärfen Sie die Schneiden des Messers vorsichtig mit einer feinen Feile (39) oder einem Schleifstein. Behalten Sie den ursprünglichen Schnittwinkel bei. Prüfen Sie die Ausbalancierung des Messers. Siehe die Anweisungen zur Messerausbalancierung. Ersetzen Sie das Messer am Rasenmäher und ziehen Sie es sicher fest.

Ausbalancieren des Messers (Abb. Z1)

Prüfen Sie das Gleichgewicht des Messers (35) durch Platzierung des mittleren Lochs im Messer über einen Nagel oder runden Schaftschraubendreher (40), der horizontal in einen Schraubstock (38) geklemmt ist. Falls sich ein Ende des Messers nach unten dreht, dann feilen sie die spitze Kante dieses sinkenden Endes. Das Messer ist ordnungsgemäß ausbalanciert, wenn kein Ende sinkt.

Schmierung

Schmieren ist nicht erforderlich. Ölen Sie die Räder nicht. Die Räder verfügen über Kunststofflager, die nicht geschmiert werden müssen.

Reinigung

Lösen Sie den Bügelgriff (2), um den Rasenmäher auszuschalten, lassen Sie das Messer zum Stehen kommen und ziehen Sie dann den Sicherheitsschlüssel ab. Reinigen Sie den Rasenmäher ausschließlich mit milder Seifenlösung und einem angefeuchteten Tuch. Verwenden Sie ein stumpfes Werkzeug, um geschnittenes Gras von der Unterseite des Rasenmähers zu reinigen. Überprüfen Sie nach mehrmaligem Gebrauch, ob alle Befestigungen fest angezogen sind.

Verhindern von Rost

Düngemittel und andere in Gärten verwendete Chemikalien enthalten Stoffe, die das Rosten von Metallen stark beschleunigen. Wenn Sie Flächen mähen, auf denen Düngemittel oder Chemikalien verwendet wurden, sollten Sie den Rasenmäher

nach dem Gebrauch unmittelbar wie folgt reinigen: Lassen Sie den Bügelgriff (2) los, um den Rasenmäher auszuschalten, und entfernen Sie Sicherheitsschlüssel und Batterie. Wischen Sie alle offenliegenden Teile mit einem feuchten Tuch ab.

Wartung

Ihr BLACK+DECKER Gerät (mit und ohne Netzkabel) wurde im Hinblick auf eine lange Lebensdauer und einen möglichst geringen Wartungsaufwand entwickelt. Ein dauerhafter, einwandfreier Betrieb setzt eine regelmäßige Pflege und Reinigung voraus.

Das Ladegerät benötigt keine Wartung, es sollte jedoch regelmäßig gereinigt werden.

Warnung! Vor dem Ausführen jeglicher Wartungsarbeiten an Geräten mit und ohne Netzkabel:

- ◆ Schalten Sie das Gerät aus, und ziehen Sie den Netzstecker.
- ◆ Wenn der Akku integriert ist, entladen Sie diesen vor dem Abschalten vollständig.
- ◆ Ziehen Sie das Ladegerät aus der Netzsteckdose, bevor Sie es reinigen. Das Ladegerät benötigt keine Wartung, es sollte jedoch regelmäßig gereinigt werden.
- ◆ Reinigen Sie regelmäßig die Lüftungsschlitze des Geräts und des Ladegeräts mit einer weichen Bürste oder einem trockenen Tuch.
- ◆ Reinigen Sie das Motorgehäuse regelmäßig mit einem feuchten Tuch. Verwenden Sie keine scheuernden Reinigungsmittel oder Reinigungsmittel auf Lösungsmittelbasis.
- ◆ Entfernen Sie mit einem stumpfen Schaber regelmäßig Gras und Erde von der Unterseite der Schutzvorrichtung.

Fehlerbehebung

Wenn das Gerät nicht richtig zu funktionieren scheint, befolgen Sie die nachfolgenden Hinweise. Sollte sich das Problem nicht beheben lassen, wenden Sie sich an eine BLACK+DECKER Vertragswerkstatt in Ihrer Nähe.

Warnung! Lassen Sie erst den Bügelschalter los, um den Rasenmäher auszuschalten. Warten Sie, bis das Messer zum Stillstand gekommen ist, und entfernen Sie den Sicherheitsschlüssel.

Problem	Mögliche Lösung
Der Rasenmäher funktioniert nicht, wenn der Bügelgriff aktiviert wird.	Stellen Sie sicher, dass sich der Sicherheitsschlüssel ordnungsgemäß im Schloss befindet und dass die Taste am Schaltergehäuse vollständig gedrückt wird, bevor Sie den Bügelgriff ziehen. Lassen Sie den Bügelschalter los, um den Rasenmäher auszuschalten. Entfernen Sie den Sicherheitsschlüssel und den Akku, kippen Sie den Rasenmäher auf die Seite, und überprüfen Sie, ob sich das Messer frei drehen lässt. Wurde der Akku vollständig aufgeladen? Schließen Sie das Ladegerät an, und warten Sie, bis die grüne Leuchte aufleuchtet.

Problem	Mögliche Lösung
Der Motor blockiert beim Mähen.	Lassen Sie den Bügelschalter los, um den Rasenmäher auszuschalten. Entfernen Sie den Sicherheitsschlüssel und den Akku. Kippen Sie den Rasenmäher auf die Seite, und überprüfen Sie, ob sich das Messer frei drehen lässt. Stellen Sie die Schnitthöhe der Räder auf die höchste Position ein, und starten Sie den Rasenmäher. Stellen Sie sicher, dass das Akkufach frei von Verschmutzungen und ordnungsgemäß angeschlossen ist. Wurde der Akku vollständig aufgeladen? Drücken Sie die Taste der Ladestandsanzeige. Vermeiden Sie eine Überlastung des Rasenmähers. Verlangsamen Sie die Schnittgeschwindigkeit, oder heben Sie die Schnitthöhe an.
Der Rasenmäher zeigt nur eine unzureichende Leistung oder mäh nicht den gesamten Rasen.	Wurde der Akku vollständig aufgeladen? Drücken Sie die Taste der Ladestandsanzeige. Lassen Sie den Bügelschalter los, um den Rasenmäher auszuschalten. Entfernen Sie den Sicherheitsschlüssel und den Akku. Kippen Sie den Rasenmäher auf die Seite, und überprüfen Sie Folgendes: ◆ Schärfte des Messers - halten Sie das Messer scharf. ◆ Das Deck und die Auswurföffnung auf Verstopfungen. Die Radhöhenstellung ist möglicherweise zu niedrig für den gegebenen Rasen. Erhöhen Sie die Schnitthöhe.
Der Rasenmäher lässt sich nur schwer schieben.	Lassen Sie den Bügelschalter los, um den Rasenmäher auszuschalten. Entfernen Sie den Sicherheitsschlüssel und den Akku. Vergrößern Sie die Schnitthöhe, um den Widerstand durch das Gras zu verringern. Überprüfen Sie, ob sich die Räder frei drehen lassen
Der Rasenmäher ist ungewöhnlich laut und vibriert.	Lassen Sie den Bügelschalter los, um den Rasenmäher auszuschalten. Entfernen Sie den Sicherheitsschlüssel und den Akku. Kippen Sie den Rasenmäher auf die Seite, und überprüfen Sie, ob das Messer verbogen oder beschädigt ist. Ersetzen Sie ein beschädigtes Messer ggf. durch ein Ersatzmesser von BLACK+DECKER. Übergeben Sie den Rasenmäher an eine BLACK+DECKER Vertragswerkstatt, wenn die Unterseite des Decks beschädigt ist. Wenn das Messer nicht sichtlich beschädigt ist und der Rasenmäher weiterhin vibriert: ◆ Lassen Sie den Bügelschalter los, um den Rasenmäher auszuschalten. ◆ Entfernen Sie den Sicherheitsschlüssel und den Akku. ◆ Demontieren Sie den gesamten Messerzusammenbau, wie im Abschnitt "Entfernen und Installieren des Messers" beschrieben. ◆ Entfernen Sie Schmutz und reinigen Sie jedes Teil. ◆ Ersetzen Sie jedes Teil, wie im Abschnitt "Entfernen und Installieren des Messers" beschrieben. Übergeben Sie den Rasenmäher an eine zugelassene BLACK+DECKER Vertragswerkstatt., wenn das Gerät weiterhin vibriert.
Batterielade-LEDs nicht ein.	Steckverbindung prüfen. Tauschen Sie das Ladegerät aus.
Geschnittenes Gras wird vom Rasenmäher nicht dem Sack aufgesammelt.	Die Auswurföffnung ist verstopft. Lassen Sie den Bügelschalter los, um den Rasenmäher auszuschalten. Entfernen Sie den Sicherheitsschlüssel und den Akku. Entfernen Sie abgeschnittenes Gras aus der Auswurföffnung. Heben Sie die Schnitthöhe der Räder an, um die abgeschnittene Länge zu verkürzen. Der Behälter ist voll. Leeren Sie den Behälter öfter.

Umweltschutz



Getrennte Entsorgung. Produkte und Akkus mit diesem Symbol dürfen nicht mit dem normalen Hausmüll entsorgt werden.

Produkte und Akkus enthalten Materialien, die wiederverwertet werden können, um den Bedarf an Rohstoffen zu verringern. Bitte recyceln Sie elektrische Produkte und Akkus gemäß den örtlichen Bestimmungen. Weitere Informationen finden Sie auf www.2helpU.com

Technische Daten

CLMA4825L2 H1		
Eingangsspannung	V _{DC}	36V
Drehzahl ohne Last	min ⁻¹	2900
Gewicht	kg	Nettogewicht 21,24 KG brutto 25,95 KG
Akku		BL2536
Spannung	V _{DC}	36
Kapazität	Ah	2.5
Typ		Lithium-Ionen
Ladegerät		90616337-xx
Eingangsspannung	V _{AC}	230
Ausgangsspannung	V _{DC}	36
Stromstärke	mA	1300
Ungefähre Ladezeit	h.	110

Gewichteter Hand-Arm-Vibrationswert:
= < 0,5 m/s², Unsicherheitsfaktor (K) = 1,5 m/s².

L_{PA} (Schalldruck) 75 dB(A)
Unsicherheitsfaktor (K) = 3 dB(A)

**EU-Konformitätserklärung
MASCHINENRICHTLINIE
AUSSENLAUTSTÄRKERICHTLINIE**



CLMA4825L2 Autosense-Rasenmäher

Black & Decker erklärt, dass die unter "Technische Daten" beschriebenen Geräte übereinstimmen mit:
EN60335-1:2012+A11:2014+A13:2017, EN60335-2-77:2010

2000/14/EG, Rasenmäher, L < 50 cm, Annex VI,
DEKRA Certification B.V. Meander 1051 / P.O. Box 5185
6825 MJ ARNHEM / 6802 ED ARNHEM, Niederlande,
Benannte Stelle ID-Nr.: 0344

Schallpegel gemäß 2000/14/EG
(Artikel 12, Anhang III, L ≤ 50 cm):
L_{WA} (gemessene Schalleistung) 89 dB(A)
Unsicherheitsfaktor (K) = 3 dB(A)
L_{WA} (garantierte Schalleistung) 96 dB(A)

Diese Produkte entsprechen außerdem den Richtlinien
2006/42/EG, 2014/30/EU und 2011/65/EU.

Weitere Informationen erhalten Sie von Black & Decker unter
der folgenden Adresse. Diese befindet sich auch auf der
Rückseite dieser Anleitung.

Der Unterzeichnete ist verantwortlich für die Zusammen-
stellung der technischen Daten und gibt diese Erklärung im
Namen von Black & Decker ab.

R. Laverick
Director of Engineering
Black & Decker Europe, 210 Bath Road, Slough,
Berkshire, SL1 3YD
Vereinigtes Königreich
09.09.2015

Garantie

Black & Decker vertraut auf die Qualität der eigenen Geräte und bietet dem Käufer eine außergewöhnliche Garantie von 24 Monaten ab Kaufdatum. Diese Garantie versteht sich unbeschadet der gesetzlichen Gewährleistungsansprüche und schränkt diese keinesfalls ein. Diese Garantie gilt innerhalb der Staatsgebiete der Mitgliedstaaten der Europäischen Union und der Europäischen Freihandelszone.

Zur Inanspruchnahme dieser Garantie muss sie den allgemeinen Geschäftsbedingungen von Black&Decker entsprechen und dem Verkäufer bzw. der Vertragswerkstatt ist ein Kaufnachweis vorzulegen. Die Bedingungen für die 2-jährige Garantie von Black&Decker und den Standort Ihrer nächstgelegenen Vertragswerkstatt finden Sie im Internet unter www.2helpU.com oder indem Sie sich an die lokale Black&Decker-Niederlassung wenden, deren Adresse Sie in dieser Anleitung finden.

Ihr neues Black & Decker Produkt können Sie auf unserer Website unter www.blackanddecker.de registrieren. Dort erhalten Sie auch Informationen über neue Produkte und Sonderangebote.

Utilisation prévue

Votre tondeuse Autosense CLMA4825L2 BLACK+DECKER a été conçue pour tondre l'herbe. Cet appareil est prévu pour un usage domestique uniquement.

Consignes de sécurité

Avertissement ! De simples précautions sont à prendre pour l'utilisation d'appareils sans fil. Les conseils suivants doivent toujours être appliqués afin de réduire le risque d'incendie, de choc électrique, de blessures et de dommages matériels.

Avertissement ! Les consignes de sécurité doivent être respectées pendant l'utilisation. Pour votre propre sécurité ainsi que celle des personnes présentes à proximité, lisez ces instructions avant d'utiliser l'outil. Veuillez conserver les instructions pour pouvoir vous y référer dans le futur.

- ◆ Lisez attentivement l'intégralité de ce manuel avant d'utiliser l'appareil.
- ◆ Ce manuel décrit la manière d'utiliser cet appareil. L'utilisation d'un accessoire ou de cet appareil à d'autres fins que celles recommandées dans ce manuel d'instructions peut présenter un risque de blessures.
- ◆ Gardez ce manuel pour pouvoir vous y référer dans le futur.

Utilisation de votre appareil

Prenez toutes les précautions nécessaires lorsque vous utilisez l'appareil.

- ◆ Cet appareil n'est pas destiné à être utilisé par des personnes jeunes ou déficientes sans surveillance.

- ◆ Cet appareil ne doit pas être utilisé comme un jouet.
- ◆ Ne laissez pas les enfants ou les animaux s'approcher de la zone de travail ou toucher l'appareil ou le cordon électrique.
- ◆ Une surveillance étroite est nécessaire lorsque l'appareil est utilisé près d'enfants.
- ◆ Il doit toujours être utilisé dans des endroits secs. Ne laissez pas l'appareil être mouillé.
- ◆ Ne plongez pas l'appareil dans l'eau.
- ◆ N'ouvrez pas le corps de l'appareil. Il n'existe aucune pièce réparable par l'utilisateur à l'intérieur.
- ◆ N'utilisez pas l'appareil dans des environnements explosifs, en présence de liquides, gaz ou poussières inflammables.
- ◆ Afin de réduire le risque d'endommagement des prises et des cordons électriques, ne débranchez jamais l'appareil en tirant sur le câble.

Après utilisation

- ◆ Quand il n'est pas utilisé, l'appareil doit être rangé dans un endroit suffisamment aéré, sec et hors de portée des enfants.
- ◆ Les enfants ne doivent pas avoir accès aux appareils rangés.
- ◆ Quand l'appareil est rangé ou transporté dans un véhicule, il doit être installé dans le coffre ou correctement calé afin d'éviter les mouvements dus aux changements de direction ou de vitesse.

Vérification et réparations

- ◆ Avant utilisation, vérifiez que les pièces de l'appareil sont en bon état. Contrôlez l'absence de pièces cassées, d'interrupteurs endommagés et toutes autres anomalies susceptibles de nuire au bon fonctionnement de l'appareil.
- ◆ N'utilisez pas l'appareil si une pièce est endommagée ou défectueuse.
- ◆ Faites réparer ou remplacer les pièces défectueuses ou endommagées par un réparateur agréé.
- ◆ Ne tentez jamais de retirer ou de remplacer des pièces autres que celles citées dans ce manuel.
- ◆ Prenez les précautions nécessaires pendant le réglage de la tondeuse afin de ne pas vous coincer les doigts entre les lames/pièces mobiles et les pièces fixes de la machine.
- ◆ Pendant l'entretien des lames, n'oubliez pas que même si l'alimentation est coupée, les lames peuvent encore bouger.

Consignes de sécurité supplémentaires relatives aux tondeuses

- ◆ Tenez fermement la poignée à deux mains lorsque la tondeuse est en marche.
- ◆ Si pour une raison quelconque, la tondeuse doit être inclinée, maintenez les deux mains en position sur la poignée pendant l'inclinaison. Gardez vos deux mains en position jusqu'à ce que la

tondeuse soit à nouveau correctement posée au sol.

- ◆ Ne portez jamais d'écouteurs lorsque la tondeuse est en marche.
- ◆ N'essayez jamais de régler la hauteur de roues quand le moteur tourne ou quand la clé de sécurité est en place.
- ◆ Si la tondeuse cale, relâchez la barre de déclenchement pour arrêter la tondeuse, attendez que la lame s'arrête et retirez la clé de sécurité avant d'essayer de dégager l'accumulation d'herbe ou de nettoyer le dessous.
- ◆ Éloignez vos mains et vos pieds des zones de coupe.
- ◆ Gardez les lames bien affûtées. Portez toujours des gants de protection pour manipuler la lame de la tondeuse.
- ◆ Si vous utilisez le sac de récupération d'herbe, vérifiez régulièrement son état d'usure. Pour votre propre sécurité, remplacez le sac de récupération d'herbe par un neuf s'il est trop usé.
- ◆ Prenez toutes les précautions nécessaires quand vous retournez la tondeuse ou que vous la tirez vers vous.
- ◆ Ne posez pas les mains ou les pieds à côté ou sous la tondeuse. Gardez en permanence l'ouverture d'évacuation dégagée.
- ◆ Éliminez de la zone à tondre les cailloux, bâtons, câbles, jouets, os, etc. qui risqueraient d'être projetés par la lame. Les objets coincés dans la lame peuvent provoquer des blessures graves. Restez derrière la tondeuse lorsque le moteur est en marche.

- ◆ Ne faites pas fonctionner la tondeuse pieds nus ou si vous portez des sandales. Portez toujours des chaussures fermées.
- ◆ N'utilisez la tondeuse en marche arrière qu'en cas de nécessité absolue. Regardez toujours au bas et derrière la tondeuse lorsque vous tondez en marche arrière.
- ◆ Ne dirigez jamais les éléments déchargés vers quiconque. Évitez de décharger contre un mur ou un endroit encombré. Un effet de ricochet vers l'utilisateur est possible. Relâchez la barre de déclenchement pour arrêter la tondeuse et arrêter la lame quand vous passez sur une surface gravillonnée.
- ◆ N'utilisez jamais la tondeuse sans que le sac de récupération d'herbe, le cache de l'ouverture d'évacuation, la protection arrière et les autres dispositifs de sécurité soient en place et en bon état de fonctionnement. Vérifiez régulièrement tous les dispositifs de protection et de sécurité afin de vous assurer qu'ils fonctionnent correctement. Si une protection ou un dispositif de sécurité est endommagé, remplacez-le avant de continuer.
- ◆ Ne laissez jamais une tondeuse tourner sans surveillance. Retirez toujours la clé de sécurité si la tondeuse doit rester sans surveillance.
- ◆ Relâchez toujours la barre de déclenchement pour arrêter le moteur. Attendez que la lame soit complètement arrêtée et retirez la clé de sécurité

- avant de nettoyer la tondeuse, de retirer le sac de récupération d'herbe, de désobstruer le cache de l'ouverture d'évacuation, lorsque vous quittez la tondeuse ou avant toute opération de réglage, réparation ou inspection.
- ◆ N'utilisez la tondeuse que de jour ou avec un bon éclairage artificiel. Les objets sur le chemin de la lame doivent être parfaitement visibles depuis la zone où la tondeuse est utilisée.
- ◆ Ne faites pas fonctionner la tondeuse si vous êtes sous l'influence d'alcool ou de drogues ou si vous êtes fatigué ou malade. Restez toujours vigilant, restez concentré sur ce que vous faites et gardez votre bon sens.
- ◆ Évitez les environnements dangereux. N'utilisez jamais la tondeuse quand l'herbe est humide ou sous la pluie. Assurez-vous de garder l'équilibre, marchez, ne courez pas.
- ◆ Si la tondeuse commence à vibrer de façon anormale, relâchez la barre de déclenchement, attendez que la lame s'arrête et retirez la clé de sécurité avant d'immédiatement rechercher d'où vient le problème. Les vibrations servent généralement d'avertissement, consultez le guide de dépannage pour obtenir des conseils en cas de vibrations anormales.
- ◆ Portez toujours des protections oculaires et respiratoires adaptées lorsque vous utilisez la tondeuse.
- ◆ L'utilisation d'accessoires non recommandés pour cette tondeuse peut être dangereuse. N'utilisez que des

accessoires homologués par BLACK+DECKER.

- ◆ Ne présumez pas de vos forces lorsque vous utilisez la tondeuse. Gardez toujours une position stable et équilibrée.
- ◆ Tondez perpendiculairement aux pentes, jamais dans le sens de la pente. Prenez toutes les précautions nécessaires quand vous changez de direction en pente.
- ◆ Faites attention aux trous, ornières, bosses, pierres ou autres objets cachés. Un terrain irrégulier peut provoquer des risques de glissement et de chute. L'herbe haute peut masquer les obstacles.
- ◆ Ne tondez pas sur l'herbe mouillée ou sur des pentes excessivement raides. Un mauvais équilibre peut conduire à glisser et à tomber.
- ◆ Ne tondez pas près de zones de ravins, de fossés ou de remblais. Vous pourriez perdre l'équilibre.
- ◆ Laissez toujours la tondeuse refroidir avant de la ranger.

Sécurité des personnes

- ◆ Cet appareil peut être utilisé par des enfants âgés de 8 ans ou plus et par des personnes aux capacités physiques, mentales ou sensorielles déficientes ou qui manquent d'expérience ou de connaissance s'ils sont supervisés ou ont été formés sur l'utilisation sûre de l'appareil et qu'ils sont conscients des dangers potentiels.

- ◆ Ne laissez pas les enfants jouer avec l'appareil. Les enfants ne peuvent en aucun cas assurer le nettoyage et la maintenance sans surveillance.

Risques résiduels

Certains risques résiduels autres non mentionnés dans les avertissements sur la sécurité peuvent survenir en utilisant l'outil. Ces risques peuvent être provoqués par une utilisation incorrecte, prolongée, etc...

Malgré l'application des normes de sécurité pertinentes et la présence de dispositifs de sécurité, certains risques résiduels ne peuvent pas être évités. Ils comprennent :

- ◆ Les blessures provoquées par le contact avec les pièces rotatives/mobiles.
- ◆ Les blessures provoquées pendant le remplacement de pièces, de lames ou d'accessoires.
- ◆ Les blessures dues à l'utilisation prolongée d'un outil. Lorsque l'outil est utilisé pendant de longues périodes, assurez-vous de faire des pauses régulières.
- ◆ La diminution de l'acuité auditive.
- ◆ Les risques pour la santé provoqués par l'inhalation des poussières générées pendant l'utilisation de votre outil (exemple : travail avec du bois, surtout le chêne, le hêtre et les panneaux en MDF)

Symboles d'avertissement

Les pictogrammes qui suivent figurent sur l'outil avec le code date :



Avertissement ! Lisez le manuel avant la mise en marche.



N'exposez pas l'appareil à la pluie ou à l'humidité.



Faites attention aux lames, elles sont tranchantes. Les lames continuent à tourner après l'arrêt de la machine.

Retirez toujours la clé de sécurité avant de nettoyer la tondeuse, de retirer le sac de récupération d'herbe, de désobstruer le cache de l'ouverture d'évacuation, lorsque vous quittez la tondeuse ou avant toute opération de réglage, de réparation ou d'inspection.



Faites attention aux projections d'objets. Éloignez toute personne de la zone de coupe.



Portez une protection oculaire




Puissance sonore garantie conforme à la Directive 2000/14/CE.

Batteries

- ◆ Ne tentez jamais de les ouvrir sous aucun prétexte.
- ◆ N'exposez pas les batteries/piles à l'eau.
- ◆ N'exposez pas les batteries/piles à la chaleur.
- ◆ Ne les stockez pas dans des endroits où la température peut dépasser 40 °C.
- ◆ Ne les rechargez qu'à une température ambiante comprise entre 10 °C et 40 °C.
- ◆ Ne les rechargez qu'avec le chargeur fourni avec l'appareil/outil. L'utilisation d'un chargeur inadapté peut conduire à un choc électrique ou à la surchauffe de la batterie.
- ◆ Lors de la mise au rebut des piles/batteries, respectez les instructions données dans la section «Protection de l'environnement».
- ◆ Ne déformez/n'endommagez pas le bloc-batterie en le perçant ou en le cognant, cela pourrait conduire à des blessures et à un incendie.
- ◆ Ne rechargez pas les batteries endommagées.
- ◆ Dans des conditions extrêmes, une batterie peut fuir. Si vous détectez une fuite, utilisez un chiffon pour essuyer le liquide avec précaution. Évitez tout contact avec la peau.
- ◆ En cas de contact avec la peau ou les yeux, suivez les instructions ci-dessous.

Consignes de sécurité supplémentaires relatives aux batteries/piles et aux chargeurs

Avvertissement ! Le liquide de batterie peut provoquer des blessures ou des dommages. En cas de contact avec la peau, rincez immédiatement à l'eau. Si des rougeurs, une douleur ou une irritation se produisent, consultez un médecin. En cas de contact avec les yeux, rincez immédiatement à l'eau et consultez un médecin.

 N'essayez pas de recharger des batteries endommagées.

Chargeurs

Votre chargeur a été conçu pour une tension spécifique.

Vérifiez toujours que la tension du secteur correspond à celle indiquée sur la plaque signalétique.

Avvertissement ! N'essayez jamais de remplacer le chargeur par une prise secteur ordinaire.

- ◆ N'utilisez votre chargeur BLACK+DECKER que pour recharger la batterie fournie avec l'appareil/outil. D'autres batteries pourraient exploser et provoquer des blessures et des dommages.
- ◆ Ne tentez jamais de recharger des piles non rechargeables.
- ◆ Si le câble d'alimentation est endommagé, il doit être remplacé par le fabricant ou par un centre de réparation agréé BLACK+DECKER afin d'éviter tout accident.
- ◆ N'exposez pas le chargeur à l'eau.
- ◆ N'ouvrez pas le chargeur.
- ◆ Ne sondez pas le chargeur.

- ◆ Pour le chargement, l'appareil/l'outil/la batterie doivent être placés dans un endroit bien aéré.



Le chargeur est conçu pour être exclusivement utilisé à l'intérieur.



Lisez le manuel d'utilisation avant de l'utiliser.

Sécurité électrique



◆ Votre chargeur dispose d'une double isolation ; aucun fil de terre n'est donc nécessaire. Vérifiez toujours que la tension indiquée sur la plaque signalétique de l'appareil correspond à la tension du secteur. N'essayez jamais de remplacer le chargeur par une prise secteur ordinaire.

- ◆ Si le câble d'alimentation est endommagé, il doit être remplacé par le fabricant ou par un centre de réparation agréé BLACK+DECKER afin d'éviter tout accident.

Rechargement de la batterie (Fig. A)

La batterie doit être chargée avant la première utilisation et chaque fois qu'elle n'apporte plus assez de puissance pour les travaux réalisés sans peine auparavant.

La batterie peut chauffer pendant la charge. Ce phénomène est normal et n'indique pas un problème.

Avvertissement ! Ne rechargez pas la batterie à une température ambiante inférieure à 10° C ou supérieure à 40° C. La température recommandée est d'environ 24° C.

Remarque : Le chargeur ne recharge pas la batterie si la température de la cellule est inférieure à environ 10° C ou supérieure à 40° C.

La batterie doit rester dans le chargeur qui démarre automatiquement la charge quand la température de la cellule augmente ou diminue.

- ◆ Branchez le chargeur dans une prise adaptée avant d'insérer le bloc-batterie.
- ◆ Insérez le bloc-batterie dans le chargeur.



Le voyant vert clignote pour indiquer que la batterie est en charge.



La fin de la charge est indiquée par la LED verte reste allumée en permanence. Le pack est complètement chargée et peut être utilisé à ce moment ou laissé dans le chargeur

Avvertissement ! Rechargez les batteries déchargées dès que possible après utilisation pour ne pas grandement diminuer leur durée de vie.

Diagnostics du chargeur

Ce chargeur est conçu pour détecter certains problèmes qui peuvent survenir avec les blocs-batteries ou les sources d'alimentation. Les problèmes sont signalés par un voyant clignotant de différentes manières.

Batterie défectueuse



Le chargeur peut détecter une batterie faible ou endommagée. Le voyant rouge clignote de la façon indiquée sur l'étiquette. Arrêtez la charge de la batterie si vous voyez ce motif clignoté indiquant que la batterie est défectueuse. Renvoyez-la dans un centre d'assistance ou un site de collecte pour recyclage

Délai Bloc chaud/froid



Lorsque le chargeur détecte que la batterie est trop chaude ou trop froide, il démarre automatiquement un délai Bloc Chaud/Froid, suspendant la charge jusqu'à ce que la batterie se stabilise. Après cela, le chargeur passe automatiquement en mode Charge Bloc. Cette fonctionnalité garantit la durée de vie maximale de la batterie. Le voyant rouge clignote de la façon indiquée sur l'étiquette lorsque le délai Bloc Chaud/Froid est détecté.

Laisser la batterie dans le chargeur

Le chargeur et le bloc-batterie peuvent rester connectés en permanence avec la LED allumée en continu. Le chargeur maintient le bloc-batterie complètement chargé.

Caractéristiques

Cet appareil présente tout ou partie des caractéristiques suivantes.

1. Boîtier de commutation
2. Poignée de déclenchement
3. Poignée supérieure
4. Poignée inférieure
5. Leviers de fixation de la poignée supérieure (2)
6. Leviers de fixation de la poignée inférieure (2)
7. Levier de réglage de la hauteur de coupe
8. Sac de récupération d'herbe
9. Cache de l'ouverture arrière
10. Prise batterie
11. Compartiment de rangement de la batterie
12. Poignées de transport
13. EdgeMax™

Installation et retrait du bloc-batterie (fig. B et C)

- ◆ appuyez sur le bouton de libération de la prise la batterie (14) et relevez le cache (15) pour découvrir la prise de la batterie (10) comme indiqué par la figure B.
- ◆ Glissez la batterie (16) dans la prise jusqu'à qu'elle soit bien en place et que vous entendiez le clic (figure C). Assurez-vous que le bloc-batterie est bien en place et correctement verrouillé.
- ◆ Fermez le cache de la prise de la batterie. Assurez-vous que le cache est bien verrouillé avant de démarrer la tondeuse.

Pour retirer le bloc-batterie (fig. D)

- ◆ Ouvrez le cache de la prise de la batterie (15)..
- ◆ Appuyez sur le bouton de libération de la batterie (17) sur le bloc-batterie et tirez sur le bloc-batterie pour le sortir de l'outil comme indiqué sur la figure D.

Rangement de la batterie

Un batterie de rechange peut être rangée dans le compartiment de rangement (11).

- ◆ Soulevez le cache du compartiment de rangement et glissez la batterie à l'intérieur comme indiqué sur la figure E.
- ◆ Vissez les fixations de libération rapide de la poignée supérieure (7) à travers la poignée inférieure dans les écrous de fixation (20). Les fixations de libération rapide de la poignée supérieure à moitié vissées, fermez-les (figure G). Si la jonction entre la poignée et les fixations de libération rapide est trop ou trop peu serrée, réglez la

profondeur des fixations de libération rapide et refermez-les jusqu'à ce que les dents soient parfaitement fermées.

Assemblage

Avertissement ! Avant l'assemblage, assurez-vous que l'outil est éteint et que la clé de sécurité ainsi que la batterie sont retirées.

Fixation de la poignée inférieure (fig. F)

- ◆ soulevez la poignée inférieure (4) en place en veillant à ce que la flèche (18) à la base de la tondeuse s'aligne avec le chiffre 1, 2 ou 3 sur la poignée (19) (agrandissement de la figure F).

Remarque ! Assurez-vous que chaque côté de la poignée inférieure est réglée sur le même chiffre. La flèche doit être alignée sur le 1, 2 ou 3 pour le bon fonctionnement.

- ◆ Fermez les leviers de réglage de hauteur de la poignée (7) comme indiqué sur la figure F. En refermant chaque levier, assurez-vous que les dents sont bien engagées comme indiqué sur la figure G.
- ◆ Si la jonction entre la poignée et le levier est trop ou trop peu serrée, ouvrez le levier et réglez sa profondeur en le tournant. Refermez-le jusqu'à ce que les dents soient entièrement enserrées et que chaque levier soit fermé de façon sûre.

Fixation de la poignée supérieure (fig. H)

- ◆ Retirez les leviers de fixation de la poignée supérieure (5), les écrous (20) et les rondelles (21) de la poignée.
- ◆ Alignez les trous au bas de la poignée supérieure (3) avec ceux en haut de la poignée inférieure (4).

Remarque : Assurez-vous que le cordon passe devant les deux poignées. Si ce n'est pas le cas, le cordon peut s'em mêler et empêcher de bien ranger la tondeuse (fig. I)

- ◆ Depuis l'extérieur de la poignée supérieure (3), glissez le boulon du levier dans les trous.
- ◆ Glissez la rondelle sur le boulon du levier et assemblez sans serrer avec l'écrou.
- ◆ Tournez la poignée supérieure dans sa position de service.
- ◆ Fermez le levier. S'il est trop ou trop peu serré, ouvrez le levier et l'écrou pour régler la fixation. Contrôlez les leviers en les fermant. Ils doivent être suffisamment serrés pour que les poignées tiennent fermement mais pas trop pour pouvoir les fermer complètement. Effectuez leur réglage en ouvrant les leviers et en tournant l'écrou jusqu'à ce que les poignées soit fixées.

Fixation du câble moteur (fig. J)

Avertissement ! Fixez le câble de façon qu'il ne soit pas étiré ou pincé par les jointures des poignées pendant

l'utilisation ou le pliage. Cela pourrait sinon l'endommager.

Le câble moteur (22) doit être fixé aux poignées à l'aide des serre-câbles (23) déjà fixés sur la poignée pour pouvoir y clipper le câble :

- ◆ Placez les poignées en position de service, voir la section «Fixer la poignée inférieure».
- ◆ Faites courir le câble vers le haut à l'avant des poignées inférieure et supérieure.
- ◆ tirez le serre-câble vers l'arrière.
- ◆ Glissez le câble moteur sous le clip et assurez-vous qu'il est complètement maintenu par le serre-câble.

Mise en place du sac de récupération

- ◆ Assurez-vous d'avoir retiré l'accessoire de décharge latérale (27) (fig. M) et l'insert pour le paillage (26) (fig. L) de la tondeuse avant d'installer le sac.
- ◆ Soulevez le cache de l'ouverture arrière (9) et placez le sac de récupération d'herbe (8) sur la tondeuse de façon que ses crochets (24) reposent sur les ergots (25) comme indiqué sur la figure K. Abaissez ensuite le cache de l'ouverture arrière.

Paillage

- ◆ Assurez-vous que l'accessoire de décharge latérale (27) et le sac de récupération d'herbe (8) ne sont pas en place.
- ◆ Soulevez le cache de l'ouverture arrière (9) et glissez l'insert de paillage (26) complètement dans la tondeuse comme indiqué sur la figure L.
- ◆ Assurez-vous que le cache de l'ouverture arrière est parfaitement refermée avant de démarrer la tondeuse.

Décharge latérale

- ◆ Assurez-vous d'avoir retiré le sac de récupération d'herbe (8).
- ◆ Soulevez le cache arrière (9) et glissez l'insert de paillage (26) complètement dans la tondeuse comme indiqué sur la figure L.
- ◆ Soulevez le cache latéral (28) et accrochez l'accessoire de décharge latérale (27) sur la tondeuse comme indiqué sur la figure M.
- ◆ Relâchez le cache latéral et assurez-vous que l'accessoire tient en place avant de démarrer la tondeuse, comme indiqué sur la figure M.

Fonctionnement

Avertissement ! Laissez la tondeuse fonctionner à son propre rythme. Ne la poussez pas au-delà de ses limites.

Réglage de la hauteur de la poignée (fig. N)

- ◆ Ouvrez les deux leviers de fixation de la poignée inférieure (6).

- ◆ Réglez la poignée de façon que la flèche (18) à la base de la tondeuse s'aligne avec le 1, le 2 ou le 3 à la base de la poignée (19). Assurez-vous que la poignée est réglée sur le même chiffre des deux côtés de la tondeuse.
- ◆ Refermez les deux leviers et assurez-vous que la poignée est fermement verrouillée.

Réglage de la hauteur de la tondeuse (fig. O)

La hauteur de coupe peut être réglée grâce au levier de réglage de hauteur de coupe central. Il existe 7 positions au choix.

Remarque : Si vous n'êtes pas sûr de la hauteur à choisir, commencez à tondre avec le levier de réglage de hauteur (7) à la position 7 et abaissez la hauteur selon le besoin, comme indiqué sur la figure O.

Pour régler la hauteur de coupe :

- ◆ Sortez le levier de réglage de hauteur de la tondeuse hors de l'encoche de verrouillage.
- ◆ Déplacez le levier vers l'arrière de la tondeuse pour diminuer la hauteur de coupe.
- ◆ Déplacez le levier vers l'avant de la tondeuse pour augmenter la hauteur de coupe.
- ◆ Poussez le levier de réglage de hauteur dans l'une des 7 encoches de verrouillage.

Clé de sécurité

Avertissement ! Afin d'empêcher le démarrage accidentel de votre tondeuse sans fil et son utilisation par des personnes non autorisées, une clé de sécurité amovible (29) a été ajoutée. La tondeuse est complètement désactivée lorsque la clé est retirée de la tondeuse.

Remarque : La clé de sécurité est trouée au centre pour permettre de l'accrocher, hors de portée des enfants. Ne laissez pas la clé sur la tondeuse.

- ◆ Insérez la clé de sécurité (29) dans la serrure jusqu'à ce qu'elle soit bien en place dans son logement, comme indiqué sur la figure P. La tondeuse est alors opérationnelle.
- ◆ Votre tondeuse est équipée d'un boîtier de commutation Marche/Arrêt spécial. Pour faire fonctionner la tondeuse, enfoncez le bouton (30) sur le boîtier de commutation (1), puis appuyez sur la poignée de déclenchement (2) comme indiqué sur la figure Q.
- ◆ Pour éteindre la tondeuse, vous n'avez qu'à relâcher la poignée de déclenchement.

Avertissement ! N'essayez jamais de bloquer l'interrupteur ou la poignée de déclenchement en position Marche.

Remarque : Quand la barre de déclenchement retourne à sa position d'origine, elle active le mécanisme de freinage automatique. Le moteur est électriquement freiné et la lame de la tondeuse s'arrête de tourner en 3 secondes ou moins.

Sollicitation excessive de la tondeuse

Afin d'éviter l'endommagement du à une sollicitation excessive de la tondeuse, ne tentez pas de tondre trop d'herbe à la fois. Ralentez la cadence de tonte ou augmentez la hauteur de coupe.

EdgeMax™

Le dispositif EdgeMax™ (13) permet de couper l'herbe sur le bord d'un mur ou d'une clôture (fig. R).

Le dispositif EdgeMax™ permet de couper la bordure de votre pelouse avec précision (fig. R1).

- ◆ La tondeuse parallèle à la bordure de votre pelouse, poussez-la le long du bord. Assurez-vous que le dispositif EdgeMax™ se trouve légèrement au dessus du bord de votre pelouse (fig. R1).

Remarque : Si l'accessoire de décharge latérale est en place, le dispositif EdgeMax™ ne peut être utilisé que du côté droit de la tondeuse.

Technologie Auto sense™

La technologie Auto sense™ détecte l'épaisseur de l'herbe et règle la puissance en conséquence. Si l'herbe est épaisse, la tondeuse fait appel à plus de puissance alors que dans l'herbe fine elle réduit sa puissance de sortie pour économiser la charge de la batterie et prolonger sa durée de fonctionnement

Rangement

Avertissement ! La lame en mouvement peut provoquer de graves blessures. Relâchez la poignée de déclenchement (2) pour arrêter la tondeuse, retirez la clé de sécurité et la batterie avant de soulever, transporter ou ranger la tondeuse. Rangez la tondeuse dans un endroit sec.

Avertissement ! Afin d'éviter tout pincement, gardez vos doigts éloignés de la zone entre les poignées lorsque vous les abaissez.

Avertissement ! Assurez-vous que le câble n'est pas étiré ou pincé par les jointures des poignées pendant le pliage.

Cela pourrait sinon l'endommager.

La poignée de la tondeuse peut être facilement abaissée pour faciliter le rangement.

- ◆ En tenant la poignée, ouvrez sans les retirer, les leviers de fixation de la poignée inférieure (6) et abaissez la poignée vers l'avant de la tondeuse, comme indiqué sur la figure S.
- ◆ Ouvrez sans les retirer les leviers de fixation de la poignée supérieure (5) et abaissez cette dernière (3) par-dessus la poignée inférieure (4), comme indiqué sur la figure T.
- ◆ La tondeuse doit alors être «compactée» vers le bas, comme indiqué sur la figure U.

Transport de la tondeuse

- ◆ La tondeuse peut être portée à l'aide des poignées de transport (12) comme indiqué sur la figure V. **NE TENTEZ PAS** de soulever la tondeuse en l'attrapant par la poignée supérieure (3) ou la poignée inférieure (4).

Conseils concernant la tonte

Avertissement ! Vérifiez toujours la zone à tondre et éliminez les cailloux, bâtons, câbles, os et autres débris qui risqueraient d'être éjectés par la lame en mouvement.

Avertissement ! Ne tondez jamais face à une pente, jamais de haut en bas. Prenez toutes les précautions nécessaires quand vous changez de direction en pente. Ne tondez pas sur des pentes trop raides. Assurez-vous de toujours garder l'équilibre.

- ◆ Relâchez la poignée de déclenchement pour arrêter la tondeuse quand vous passez sur une surface gravillonnée (des cailloux peuvent être projetés par la lame).
- ◆ Réglez la tondeuse à la plus haute hauteur de coupe quand la surface est accidentée ou que l'herbe est haute. La tonte d'une trop grande quantité d'herbe à la fois peut provoquer la surcharge du moteur et entraîner l'arrêt de la tondeuse. Consultez le guide de dépannage.
- ◆ Si le sac de récupération d'herbe (8) est utilisé pendant la saison de pousse rapide de l'herbe, l'herbe peut avoir tendance à s'accumuler au niveau de l'ouverture d'évacuation. Relâchez la poignée de déclenchement pour arrêter la tondeuse et retirez la clé de sécurité. Retirez le sac de récupération d'herbe et faites tomber l'herbe en secouant le fond du sac. Nettoyez également l'herbe ou les débris accumulés autour de l'ouverture d'évacuation. Remplacez le sac de récupération d'herbe.
- ◆ Si la tondeuse se met à vibrer de façon anormale, relâchez la poignée de déclenchement pour l'arrêter et retirez la clé de sécurité. Vérifiez immédiatement la cause de ces vibrations. Les vibrations servent généralement d'avertissement. Ne réutilisez pas la tondeuse avant qu'elle ait été révisée. Consultez le guide de dépannage du manuel.
- ◆ Relâchez toujours la poignée de déclenchement pour arrêter la tondeuse et retirez la clé de sécurité si vous devez laisser la tondeuse sans surveillance même pour un court instant.

Conseils pour une utilisation optimale :

- ◆ Ralentissez dans les zones où l'herbe est particulièrement haute ou épaisse.
- ◆ Évitez de tondre si l'herbe est mouillée par la pluie ou la rosée.
- ◆ Tondez régulièrement votre pelouse, en particulier pendant les périodes de croissance rapide.

Remarque : Il est recommandé de recharger votre tondeuse après chaque utilisation pour prolonger la durée de vie de la batterie. La recharge fréquente n'endommage pas votre

batterie et vous permet d'être sûr que la tondeuse est complètement rechargée et prête pour la prochaine utilisation. Le fait de ranger la batterie alors qu'elle n'est pas complètement pleine raccourcit sa durée de vie.

Retrait et installation de la lame

Avertissement ! Lorsque vous assemblez le système de lame, assurez-vous que chaque pièce est à la bonne place, comme décrit ci-dessous.

Le mauvais assemblage de la lame et des autres pièces du système peut provoquer de graves blessures.

Avertissement ! Relâchez la poignée de déclenchement pour arrêter la tondeuse, attendez que la lame soit arrêtée et retirez la clé de sécurité et la batterie.

- ◆ Découpez un morceau de bois de 2 x 4 (31) (long d'environ 610 mm/2 ft) pour empêcher la lame de tourner pendant que vous retirez le boulon (32).
- ◆ Portez toujours des gants et des lunettes de protection.
- ◆ Couchez la tondeuse sur le côté. Faites attention aux bords aiguisés de la lame. Installez le morceau de bois et dévissez le boulon à l'aide d'une clé 1/2» (33), comme indiqué sur la figure W.
- ◆ Retirez le boulon et la rondelle (34), sortez la lame (35) comme indiqué sur la figure X. Le ventilateur (36) ne doit pas être retiré. Contrôlez l'absence de dommage sur toutes les pièces et remplacez-les si nécessaire.
- ◆ La lame ne peut être fixée au ventilateur que dans un sens. Pour effectuer le réassemblage, alignez le trou en forme de d sur la lame avec la tige en forme de d sur le ventilateur en vous assurant que les écritures sur la lame pointent vers l'extérieur de la tondeuse.
- ◆ Pour pouvoir fixer l'ensemble correctement, installez le morceau de bois comme indiqué sur la figure Y pour empêcher la lame de tourner. Glissez le boulon sur la rondelle et vissez-le en place. Serrez à l'aide d'une clé.

Affûtage de la lame

Pour des performances optimales, maintenez la lame aiguisée. Une lame émoussée ne peut pas couper l'herbe de façon nette. Utilisez une protection oculaire adaptée pour retirer, aiguiser et installer la lame. Assurez-vous d'avoir retiré la clé de sécurité et le bloc-batterie.

L'affûtage de la lame deux fois pendant la saison de tonte suffit généralement si les conditions sont normales. Le sable émousse rapidement la lame. Si la terre de votre pelouse est sablonneuse, un affûtage plus fréquent peut être nécessaire.

Remarque : Remplacez immédiatement la lame si elle est tordue ou endommagée.

Lorsque vous affûter la lame :

- ◆ Assurez-vous que la lame reste bien équilibrée.
- ◆ Aiguiser la lame à son angle de coupe d'origine.
- ◆ Aiguiser les bords de coupe des deux côtés de la lame, en retirant la même quantité de matière des deux côtés.

Pour aiguiser la lame dans un étau (fig. Z)

- ◆ Assurez-vous que la poignée de déclenchement est relâchée, que la lame est arrêtée et que la clé de sécurité et le bloc-batterie ont été retirés avant de retirer la lame.
- ◆ Retirez la lame de la tondeuse. Consultez les instructions pour le retrait et l'installation de la lame.
- ◆ Sécurisez la lame (35) dans un étau (38).
- ◆ Portez une protection oculaire adaptée et des gants et faites attention à ne pas vous couper. Limez soigneusement les bords de coupe de la lame avec une lime à dents fines (39) ou une pierre à aiguiser, en gardant l'angle du bord de coupe d'origine. Contrôlez l'équilibrage de la lame. Consultez les instructions pour l'équilibrage de la lame. Réinstallez la lame sur la tondeuse et fixez-la fermement.

Équilibrage de la lame (fig. Z1)

Contrôlez l'équilibrage de la lame (35) en plaçant le trou central de la lame sur un clou ou le manche rond d'un tournevis (40), à l'horizontale dans un étau (38). Si l'une des extrémités tourne vers le bas, limez le bord de ce côté tombant. La lame est correctement équilibrée si aucun côté ne tombe.

Lubrification

Aucune lubrification n'est nécessaire. Ne graissez pas les roues. Les surfaces de roulement sont en plastique, il n'est donc pas nécessaire de les graisser.

Nettoyage

Relâchez la poignée de déclenchement (2) pour arrêter la tondeuse, laissez la lame s'arrêter puis retirez la clé de sécurité. N'utilisez que du savon doux et un chiffon humide pour nettoyer la tondeuse. Supprimez les résidus qui peuvent s'accumuler sur le dessous de la plaque de tonte. Après plusieurs utilisations, vérifiez si toutes les fixations apparentes sont bien serrées.

Prévention contre la rouille

Les engrais et autres produits chimiques contiennent des agents qui accélèrent le phénomène de corrosion des métaux. Si vous tondez dans des zones recouvertes d'engrais ou de produits chimiques, la tondeuse doit immédiatement être nettoyée comme suit : Relâchez la poignée de déclenchement (2) pour arrêter la tondeuse et retirez la clé de sécurité. Essuyez toutes les pièces apparentes avec un chiffon humide.

Maintenance

Votre appareil/outil sans fil/avec fil BLACK+DECKER a été conçu pour fonctionner pendant longtemps avec un minimum d'entretien. Son bon fonctionnement continu dépend de son entretien et de son nettoyage régulier. Votre chargeur ne nécessite aucun entretien particulier, à l'exception d'un nettoyage régulier.

Avertissement ! Avant toute intervention de maintenance sur des outils électriques avec ou sans fil :

- ◆ Arrêtez et débranchez l'appareil/outil.
- ◆ Ou déchargez complètement la batterie si elle est intégrée au système, puis éteignez l'appareil.
- ◆ Débranchez le chargeur avant de le nettoyer. Votre chargeur ne nécessite aucun entretien particulier, à l'exception d'un nettoyage régulier.
- ◆ Nettoyez régulièrement les orifices d'aération de votre outil/appareil et de votre chargeur à l'aide d'une brosse souple ou d'un chiffon sec.
- ◆ Nettoyez régulièrement le carter moteur à l'aide d'un chiffon humide. N'utilisez pas de détergents abrasifs ou à base de solvants.
- ◆ Utilisez régulièrement un racloir pour retirer l'herbe et les saletés sous le dispositif de protection.

Dépannage

Si votre appareil semble ne pas fonctionner correctement, suivez les instructions ci-dessous. Si le problème persiste, veuillez contacter votre réparateur local BLACK+DECKER.

Avertissement ! Avant de commencer, relâchez la barre de déclenchement pour arrêter la tondeuse, attendez que la lame soit arrêtée et retirez la clé de sécurité

Problème	Solution possible
La tondeuse ne démarre pas quand la poignée de déclenchement est activée.	Vérifiez que la clé de sécurité est correctement installée et que le bouton du boîtier de commutation est complètement enfoncé avant d'appuyer sur la poignée de déclenchement. Relâchez la poignée de déclenchement pour arrêter la tondeuse. Retirez la clé de sécurité et le bloc-batterie, retournez la tondeuse et vérifiez que la lame tourne librement. La batterie est-elle complètement rechargée ? Branchez le chargeur et attendez que le voyant vert s'allume
Le moteur s'arrête pendant la tonte.	Relâchez la poignée de déclenchement pour arrêter la tondeuse. Retirez la clé de sécurité et le bloc-batterie. Retournez la tondeuse et vérifiez que la lame tourne librement. Rehaussez la hauteur de coupe des roues à la position la plus haute et démarrez la tondeuse. Vérifiez qu'il n'y a aucun débris dans les cavités de la batterie et que cette dernière est correctement branchée. La batterie est-elle complètement rechargée ? Appuyez sur le bouton d'état de la charge. Évitez de trop solliciter la tondeuse. Ralentissez la cadence de tonte ou augmentez la hauteur de coupe.

Problème	Solution possible
La tondeuse fonctionne mais les performances de coupe ne sont pas satisfaisantes : la tondeuse ne coupe pas toute la pelouse.	<p>La batterie est-elle complètement rechargée ? Appuyez sur le bouton d'état de la charge.</p> <p>Relâchez la poignée de déclenchement pour arrêter la tondeuse. Retirez la clé de sécurité et le bloc-batterie. Retournez la tondeuse et vérifiez :</p> <ul style="list-style-type: none"> • L'affûtage des lames - gardez les lames toujours aiguisées. • L'absence de bourrage dans la descente d'évacuation et sur la plaque de tonte. <p>La hauteur des roues est peut-être trop basse pour la pelouse à tondre. Augmentez la hauteur de coupe.</p>
La tondeuse est difficile à pousser.	Relâchez la poignée de déclenchement pour arrêter la tondeuse. Retirez la clé de sécurité et le bloc-batterie. Augmentez la hauteur de coupe pour réduire le frottement de la plaque de tonte sur l'herbe. Vérifiez la rotation libre de chaque roue
La tondeuse est trop bruyante et vibre.	<p>Relâchez la poignée de déclenchement pour arrêter la tondeuse. Retirez la clé de sécurité et le bloc-batterie. Penchez la tondeuse sur le côté et vérifiez la lame pour vous assurer qu'elle n'est pas endommagée ou tordue. Si la lame est endommagée, remplacez-la par une lame de rechange BLACK+DECKER. Si le dessous de la plaque de tonte est endommagé, confiez la tondeuse à un centre de réparation agréé BLACK+DECKER.</p> <p>S'il n'y a pas de dommage visible sur la lame et que la tondeuse vibre toujours :</p> <ul style="list-style-type: none"> • Relâchez la poignée de déclenchement pour arrêter la tondeuse. • Retirez la clé de sécurité et le bloc-batterie. • Démontez l'ensemble de la lame comme décrit dans la section «Retrait et installation de la lame». • Retirez tous les résidus et nettoyez chaque pièce. • Remontez chaque pièce comme décrit dans la section «Retrait et installation de la lame». <p>Si la tondeuse vibre toujours, confiez-la à un centre de réparation agréé BLACK+DECKER.</p>
Le voyant du chargeur de batterie ne s'allume pas.	<p>Vérifiez qu'il est correctement branché.</p> <p>Remplacez le chargeur.</p>
La tondeuse ne récupère pas les résidus de tonte dans le sac.	<p>La descente d'évacuation est bouchée. Relâchez la poignée de déclenchement pour arrêter la tondeuse. Retirez la clé de sécurité et le bloc-batterie. Éliminez l'herbe accumulée dans la descente d'évacuation.</p> <p>Augmentez la hauteur de coupe des roues afin de diminuer la longueur des résidus.</p> <p>Le sac est plein. Videz le sac plus fréquemment.</p>

Protection de l'environnement



Tri sélectif. Les produits et batteries marqués de ce symbole ne doivent pas être jetés avec les déchets ménagers.

Les produits et batteries contiennent des matières qui peuvent être récupérées et recyclées afin de réduire la demande en matières premières. Veuillez recycler les produits électriques et les batteries conformément aux dispositions locales en vigueur. Pour plus d'informations, consultez le site www.2helpU.com

Données techniques

CLMA4825L2 H1		
Tension d'entrée	V _{cc}	36V
Régime à vide	min ⁻¹	2900
Poids	kg	pois net 21,24 KG, brut 25,95 KG
Batterie		BL2536
Tension	V _{cc}	36
Capacité	Ah	2.5
Type		Li-Ion
Chargeur		90616337-xx
Tension d'entrée	V _{ca}	230
Tension de sortie	V _{cc}	36
Courant	mA	1300
Durée de charge approximative	min	110

Valeur de vibration pondérée au niveau de la main/du bras :
= < 0,5 m/s², incertitude (K) = 1,5 m/s².

L_{PA} (pression acoustique) 75 dB(A)
Incertaince (K) = 3 dB(A)

Déclaration de conformité CE
DIRECTIVES MACHINES
DIRECTIVE RELATIVE AUX NUISANCES SONORES EX-
TÉRIEURES



Tondeuse Autosense CLMA4825L2

Black & Decker déclare que les produits décrits dans les
«Données techniques» sont conformes aux normes :
EN60335-1:2012+A11:2014+A13:2017, EN60335-2-77:2010

2000/14/CE, Tondeuse à gazon, L < 50 cm, Annexe VI,

DEKRA Certification B.V. Meander 1051 / P.O. Box 5185
6825 MJ ARNHEM / 6802 ED ARNHEM, Pays-Bas N° de
l'organisme mandaté : 0344

Niveau de puissance sonore selon la norme 2000/14/CE
(Article 12, Annexe III, L ≤ 50 cm) :

L_{WA} (puissance sonore mesurée) 89 dB(A)
Incertaince (K) = 3 dB(A)

L_{WA} (puissance sonore garantie) 96 dB(A)

Ces produits sont conformes aux normes
2006/42/EC, 2014/30/UE et 2011/65/UE.

Pour plus de détails, veuillez contacter Black & Decker à l'adresse suivante ou vous reporter au dos du manuel.

Le soussigné est responsable des données de la fiche technique et fait cette déclaration au nom de Black & Decker.

R. Laverick
Directeur Ingénierie
Black & Decker Europe, 210 Bath Road, Slough,
Berkshire, SL1 3YD
Royaume-Uni
18/12/2018

Garantie

Black & Decker assure la qualité de ses produits et offre une garantie* de 24 mois aux utilisateurs, à partir de la date d'achat. Cette garantie s'ajoute à vos droits légaux auxquels elle ne porte aucunement préjudice. Cette garantie est valable au sein des territoires des États membres de l'Union Européenne et au sein de la Zone européenne de libre-échange.

Pour prétendre à la garantie, la réclamation doit être en conformité avec les conditions générales de Black & Decker et vous devez fournir une preuve d'achat au vendeur ou au réparateur agréé. Les conditions générales de la garantie de 2 ans Black+Decker ainsi que l'adresse du réparateur agréé le plus proche sont disponibles sur le site Internet www.2helpU.com ou en contactant votre agence Black & Decker locale à l'adresse indiquée dans ce manuel.

Veuillez consulter notre site Internet www.blackanddecker.co.uk pour enregistrer votre nouveau produit Black & Decker et pour être tenu informé des nouveaux produits et offres spéciales.

Usò previsto

Il tosaerba CLMA4825L2 Autosense BLACK+DECKER è stato progettato per tagliare l'erba. Questo elettrotensile è destinato esclusivamente all'uso individuale.

Istruzioni di Sicurezza

Avvertenza! Quando si usano elettrotensili cordless, osservare sempre le normali precauzioni di sicurezza per ridurre il rischio di incendio, scosse elettriche, lesioni personali e danni materiali.

Avvertenza! Osservare i regolamenti di sicurezza quando si usa l'elettrotensile. Per la propria incolumità e quella degli osservatori, leggere queste istruzioni prima di usare l'elettrotensile. Conservare le istruzioni in un luogo sicuro per utilizzo futuro.

- Leggere attentamente il presente manuale prima di usare l'elettrotensile.
- L'uso previsto è descritto nel presente manuale. Se questo elettrotensile viene usato con accessori o per usi diversi da quelli raccomandati nel presente manuale d'uso, si potrebbero verificare lesioni personali.
- Conservare il presente manuale per futura consultazione.

Utilizzo dell'elettrotensile

Prestare sempre attenzione quando si usa l'elettrotensile.

- Questo elettrotensile non è destinato all'uso da parte di ragazzi o persone inferme senza supervisione.
- Questo elettrotensile non deve essere usato come un giocattolo.
- Impedire a bambini o ad animali di avvicinarsi all'area di lavoro o di toccare

l'elettrotensile o il filo di alimentazione.

- ◆ Prestare la massima attenzione quando si usa l'elettrotensile vicino ai bambini.
- ◆ Usare esclusivamente in un luogo asciutto. Evitare che l'elettrotensile si bagni.
- ◆ Non immergere l'elettrotensile in acqua.
- ◆ Non aprire il corpo dell'elettrotensile. Al suo interno non sono presenti parti riparabili.
- ◆ Evitare di impiegare questo elettrotensile in ambienti esposti al rischio di esplosione, ad esempio in presenza di liquidi, gas o polveri infiammabili.
- ◆ Per ridurre il rischio di danni a spine o fili, non tirare mai il filo per scollegare la spina da una presa.

Dopo l'uso

- ◆ Quando non viene usato, l'elettrotensile deve essere conservato in un luogo asciutto e ben ventilato, fuori dalla portata dei bambini.
- ◆ Gli elettrotensili riposti non devono essere accessibili ai bambini.
- ◆ Se conservato o trasportato in un veicolo, l'elettrotensile deve essere riposto nel bagagliaio o legato per evitare che si sposti in caso di cambiamento repentino della velocità o della direzione di marcia.

Ispezione e riparazioni

- ◆ Prima dell'uso, verificare che l'elettrotensile non sia danneggiato e non

presenti parti difettose. Controllare che siano presenti parti rotte, interruttori danneggiati o altre condizioni che potrebbero incidere sul suo funzionamento.

- ◆ Non usare l'elettrotensile se alcune parti sono danneggiate o difettose.
- ◆ Far riparare o sostituire le parti danneggiate o difettose da un tecnico autorizzato.
- ◆ Non tentare di smontare o sostituire delle parti, ad eccezione di quelle specificate nel presente manuale.
- ◆ Prestare attenzione durante la regolazione del tosaerba, per prevenire lo schiacciamento delle dita tra le lame/parti in movimento e le parti fisse dell'elettrotensile.
- ◆ Quando si esegue la manutenzione delle lame, tenere presente che, anche se l'alimentazione elettrica è scollegata, le lame potrebbero comunque ruotare.

Precauzioni di sicurezza aggiuntive per i tosaerba

- ◆ Durante l'uso del tosaerba afferrare saldamente il manico con entrambe le mani.
- ◆ Se in qualsiasi momento dovesse essere necessario inclinare il tosaerba, tenere entrambe le mani nella posizione di lavoro mentre lo si inclina. Tenere entrambe le mani nella posizione di lavoro fino a quando il tosaerba è di nuovo appoggiato correttamente a terra.

- ◆ Non indossare auricolari della radio o di riproduttori di musica quando si usa il tosaerba.
- ◆ Non tentare mai di regolare l'altezza delle ruote con il motore acceso o quando la chiave di sicurezza si trova nell'alloggiamento dell'interruttore.
- ◆ Se il tosaerba si ferma, rilasciare la barra di sicurezza per spegnerlo, attendere che la lama si fermi e sfilare la chiave di sicurezza prima di tentare di sbloccare il condotto o di rimuovere qualsiasi oggetto da sotto la scocca.
- ◆ Tenere mani e piedi lontani dalla zona di taglio.
- ◆ Mantenere le lame affilate. Indossare sempre guanti protettivi quando si maneggia la lama del tosaerba.
- ◆ Se si utilizza il cesto raccoglierba, controllare di frequente che non sia usurato o danneggiato. Se è molto usurato, sostituirlo con uno nuovo per la propria sicurezza.
- ◆ Prestare la massima attenzione quando si procede in retromarcia o quando si tira il tosaerba verso sé stessi..
- ◆ Non mettere mani o piedi vicino o sotto al tosaerba. Tenersi sempre lontani dall'apertura dello scarico.
- ◆ Eliminare dalla zona dove deve essere usato il tosaerba, oggetti estranei, quali sassi, pezzi di legno, fili di ferro, giocattoli, ossa, ecc., che potrebbero essere lanciati dalla lama. Eventuali oggetti colpiti dalla lama potrebbero causare lesioni gravi alle persone. Tenersi dietro al manico quando il motore è acceso.

- ◆ Non usare il tosaerba a piedi scalzi o se si indossano sandali. Indossare sempre calzature robuste.
- ◆ Non tirare all'indietro il tosaerba, salvo che sia assolutamente necessario. Guardare sempre in basso e dietro di sé quando si cammina all'indietro.
- ◆ Non dirigere mai il materiale scaricato verso qualcuno. Evitare di scaricare il materiale contro un muro o un ostacolo. Il materiale potrebbe rimbalzare verso l'operatore. Rilasciare la barra di sicurezza per spegnere il tosaerba e fermare la lama quando si attraversano superfici con ghiaia.
- ◆ Non far funzionare il tosaerba se il cesto raccoglierba, la protezione dello scarico, quella posteriore o gli altri dispositivi protettivi di sicurezza non sono montati e non funzionano correttamente. Controllare periodicamente tutte le protezioni e i dispositivi protettivi di sicurezza per accertarsi che siano in buone condizioni e che funzionino correttamente, svolgendo la funzione per la quale sono stati progettati. Sostituire le protezioni o gli altri dispositivi di sicurezza danneggiati prima di continuare a usare il tosaerba.
- ◆ Non lasciare mai incustodito un tosaerba acceso.. Sfilare sempre la chiave di sicurezza se il tosaerba deve essere lasciato incustodito.
- ◆ Rilasciare sempre la barra di sicurezza per spegnere il motore, attendere che la lama si fermi completamente e sfilare la chiave di sicurezza prima di

pulire il tosaerba, di staccare il sacco raccogliherba, di sbloccare la protezione dello scarico, quando si lascia il tosaerba incustodito o prima di eseguire qualsiasi regolazione, riparazione o ispezione.

- ◆ Usare il tosaerba solo alla luce del sole o con una buona illuminazione artificiale, in modo che sia possibile vedere chiaramente dalla posizione di guida eventuali oggetti presenti lungo il percorso della lama.
- ◆ Non utilizzare il tosaerba se ci si trova sotto l'effetto di alcol o stupefacenti oppure se si è stanchi o ammalati. Rimanere sempre vigili, prestare attenzione alle proprie azioni e usare il buon senso.
- ◆ Evitare ambienti pericolosi. Non usare mai il tosaerba quando l'erba è umida o bagnata e sotto la pioggia. Mantenere sempre un buon equilibrio, camminare e non correre mai.
- ◆ Se il tosaerba comincia a vibrare in modo anomalo, rilasciare la barra di sicurezza, attendere che la lama si arresti, sfilare la chiave di sicurezza e verificare immediatamente a cosa è dovuta la vibrazione. Di solito le vibrazioni segnalano dei problemi; se si avvertono vibrazioni insolite, consultare la guida della Ricerca guasti.
- ◆ Indossare sempre occhiali e una mascherina idonei quando si usa il tosaerba.
- ◆ L'uso di accessori non raccomandati per l'impiego con questo tosaerba

potrebbe essere pericoloso. Utilizzare esclusivamente accessori approvati da BLACK+DECKER.

- ◆ Non sporgersi mai quando si usa il tosaerba. Mantenere sempre un buon equilibrio quando si usa il tosaerba.
- ◆ Per tagliare l'erba lungo un pendio spostarsi trasversalmente e mai procedendo verticalmente in su e in giù. Prestare la massima attenzione quando si cambia direzione su un pendio.
- ◆ Fare attenzione a buche, solchi, sassi o ad altri oggetti nascosti. Un terreno irregolare può far scivolare o cadere. L'erba alta può nascondere ostacoli.
- ◆ Non tagliare l'erba quando è bagnata o lungo pendii molto ripidi. La perdita dell'equilibrio può far scivolare o cadere.
- ◆ Non tagliare l'erba vicino a pendii ripidi, fossati o terrapieni dove è facile perdere l'equilibrio.
- ◆ Lasciare che il tosaerba si raffreddi prima di riporlo.

Sicurezza altrui

- ◆ Questo elettroutensile può essere usato da bambini dagli 8 anni in su e da persone portatrici di handicap fisici, psichici o sensoriali o che non abbiano la dovuta esperienza o conoscenza, sempre che siano seguite o opportunamente istruite sull'uso sicuro e comprendano i pericoli inerenti.
- ◆ I bambini devono essere sorvegliati per assicurarsi che non giochino con l'apparecchio.

Rischi residui

L'utilizzo dell'elettroutensile può comportare altri rischi non contemplati negli avvisi di sicurezza qui riportati. Tali rischi possono sorgere a seguito di un uso prolungato o improprio, ecc.

Pur osservando le norme di sicurezza e utilizzando dispositivi di protezione adeguati, certi rischi non possono essere evitati. Sono inclusi:

- ◆ Lesioni causate o subite a seguito del contatto con parti rotanti/in movimento.
- ◆ Lesioni causate o subite durante la sostituzione di parti, lame o accessori.
- ◆ Lesioni causate dall'impiego prolungato di un utensile. Quando si usa qualsiasi utensile per lunghi periodi, accertarsi di fare regolarmente delle pause.
- ◆ Menomazioni uditive.
- ◆ Rischi per la salute causati dall'aspirazione di polvere generata dall'utilizzo dell'elettroutensile (ad esempio quando si lavora con il legno, in modo particolare quello di quercia o faggio o l'MDF.)

Simboli di avvertenza

Sull'elettroutensile sono presenti i seguenti simboli, insieme al codice data:



Avvertenza! Leggere il manuale prima dell'utilizzo.



Non esporre l'elettroutensile alla pioggia o a un'umidità intensa.



Fare attenzione alle lame taglienti. Le lame continuano a girare dopo lo spegnimento del tosaerba. Sfilare sempre la chiave di sicurezza prima di pulire il tosaerba, di staccare il sacco raccogliherba, di sbloccare la protezione dello scarico, quando si lascia il tosaerba incustodito o prima di eseguire qualsiasi regolazione, riparazione o ispezione.



Fare attenzione agli oggetti lanciati in aria. Tenere gli osservatori lontani dalla zona di taglio.



Utilizzare protezioni oculari



Pressione sonora garantita in base alla direttiva 2000/14/CE.

Istruzioni di sicurezza aggiuntive per batterie e caricabatterie

Batterie

- ◆ Non tentare mai di aprire le batterie per qualsiasi motivo.
- ◆ Non lasciare che la batteria si bagni.
- ◆ Non esporre la batteria al calore.
- ◆ Non riporre in luoghi dove la temperatura potrebbe superare 40°C.
- ◆ Caricare solo a temperature ambiente comprese tra 10°C e 40°C.
- ◆ Caricare esclusivamente utilizzando il caricabatterie fornito con l'apparecchio/utensile. L'utilizzo del caricabatterie sbagliato potrebbe causare scosse elettriche o il surriscaldamento della batteria.

- ◆ Quando si smaltiscono le batterie, seguire le istruzioni riportate al capitolo "Protezione dell'ambiente".
- ◆ Non danneggiare/deformare la batteria forandola o colpendola per evitare il rischio di lesioni o di incendio.
- ◆ Non caricare le batterie danneggiate.
- ◆ In condizioni estreme, si potrebbe verificare la perdita di liquido dalle batterie. Se si nota la presenza di liquido sulle batterie, pulirle con attenzione con uno straccio. Evitare il contatto con l'epidermide.
- ◆ In caso di contatto con l'epidermide o gli occhi, seguire le istruzioni riportate di seguito.

Avvertenza! Il liquido della batteria può causare lesioni alle persone o danni alle cose. In caso di contatto con la pelle, risciacquare immediatamente con acqua. In caso di rossore, dolore o irritazione, rivolgersi immediatamente a un medico. In caso di contatto con gli occhi, risciacquarli immediatamente con acqua pulita e consultare un medico.

- ◆ Non tentare di caricare delle batterie danneggiate.

Caricabatterie

L'alimentatore è stato progettato per una tensione specifica.

Controllare sempre che la tensione di rete corrisponda a quella indicata sulla targhetta dei dati tecnici.

Avvertenza! Non tentare mai di sostituire il caricabatterie con una normale spina elettrica.

- ◆ Usare il caricabatterie BLACK+DECKER solo per caricare la batteria nell'apparecchio/elettrotensile con il quale è stato fornito. Altre batterie potrebbero scoppiare causando lesioni alle persone e danni alle cose.
- ◆ Non tentare mai di caricare batterie non ricaricabili.
- ◆ In caso di danneggiamento del cavo di alimentazione, è necessario farlo riparare dal fabbricante o presso un centro assistenza BLACK+DECKER autorizzato in modo da evitare eventuali pericoli.
- ◆ Non lasciare che il caricabatterie si bagni.
- ◆ Non aprire il caricabatterie.
- ◆ Non collegare il caricabatterie a sonde.
- ◆ L'apparecchio/l'elettrotensile/la batteria devono essere lasciati in una zona ben ventilata durante la carica.



Il caricabatterie può solo essere usato all'interno.



Leggere il presente manuale d'uso prima dell'impiego.

Sicurezza elettrica



Il doppio isolamento di cui è provvisto il caricabatterie rende superfluo il cavo di messa a terra. Controllare sempre che la tensione di rete corrisponda a quella indicata sulla targhetta dei dati tecnici. Non tentare mai di sostituire il caricabatterie con una normale spina elettrica.

- ◆ In caso di danneggiamento del cavo di alimentazione, è necessario farlo riparare dal fabbricante o presso un centro assistenza BLACK+DECKER autorizzato in modo da evitare eventuali pericoli.

Carica della batteria (Fig. A)

La batteria deve essere caricata prima dell'impiego iniziale e quando non eroga una potenza sufficiente per lavori che prima era possibile eseguire facilmente. Durante la carica, la batteria potrebbe riscaldarsi. Si tratta di un fatto normale che non indica che vi è un problema.

Avvertenza! Non ricaricare la batteria a temperature ambientali inferiori a 10°C o superiori a 40°C. La temperatura di ricarica consigliata è di circa 24°C.

Nota: il caricabatteria non carica una batteria se la temperatura della cella è inferiore a 10 °C o superiore a 40 °C.

La batteria deve essere lasciata nel caricabatterie, che incomincerà a caricare automaticamente quando la temperatura della cella aumenta o diminuisce.

- ◆ Collegare il caricabatterie ad una presa di corrente adatta prima di inserire il pacco batteria.
- ◆ Inserire il pacco batteria nel caricatore.



Il LED verde lampeggia mentre la ricarica è in corso.



Il completamento della carica è indicata dal LED verde rimane rimanenti. La confezione è completamente carico e può essere utilizzato in questo periodo o lasciato in carico

Avvertenza! Ricaricare le batterie scariche al più presto dopo l'uso, altrimenti la durata della batteria potrebbe diminuire notevolmente.

Diagnostica del caricabatterie

Questo caricabatteria è progettato per rilevare alcuni problemi che possono sorgere con i pacchi batteria o la fonte di alimentazione. I problemi sono indicati da un LED che lampeggia secondo schemi differenti.

Batteria guasta



Il caricabatterie in grado di rilevare una batteria scarica o danneggiata. Il LED rosso lampeggia secondo lo schema indicato sull'etichetta. Se compare questo schema di batteria guasta, non continuare a caricare la batteria. Restituirla presso un centro di servizio o un sito di raccolta per il riciclaggio

Ritardo pacco caldo/freddo



Quando il caricabatterie rileva una batteria troppo calda o troppo fredda avvia automaticamente la funzione di ritardo pacco caldo/freddo, sospendendo il caricamento finché la batteria non ha raggiunto la temperatura normale. In seguito, il caricabatterie passa automaticamente alla modalità Ricarica pacco. Questa funzione garantisce la massima durata della batteria. Il LED rosso lampeggia secondo lo schema indicato sull'etichetta quando viene rilevato un ritardo pacco caldo/freddo.

Batteria lasciata nel caricabatteria

Il caricabatteria e il battery pack possono essere lasciati collegati con il LED sempre acceso. Il caricabatterie manterrà il pacco batteria come nuovo e completamente carico.

Caratteristiche

Questo apparecchio presenta alcune o tutte le seguenti caratteristiche.

1. Scatola dell'interruttore
2. Barra di sicurezza
3. Manico superiore
4. Manico inferiore
5. Leve di bloccaggio manico superiore (2)
6. Leve di bloccaggio manico inferiore (2)
7. Leva di regolazione altezza di taglio
8. Sacco raccogliherba
9. Coperchio posteriore
10. Portello batteria
11. Vano di stoccaggio batteria
12. Manici per il trasporto
13. Dispositivo EdgeMax™

Installazione rimozione del pacco batteria (Figg. B e C)

- ◆ Premere il pulsante di rilascio del portello batteria (14) e tirare il coperchio del portello batteria (15) verso l'alto in modo da esporre il portello (10), come illustrato nella Figura B.
- ◆ Fare scorrere la batteria (16) nel portello batteria fino a quando è insediata a fondo e si avverte un clic (Figura C).

Assicurarsi che il pacco batteria sia insediato a fondo e completamente bloccato in posizione.

- ◆ Chiudere il coperchio del portello batteria. Assicurarsi che il coperchio sia completamente bloccato prima di avviare il tosaerba.

Per rimuovere il pacco batteria (Fig. D)

- ◆ Aprire il coperchio del portello batteria (15).
- ◆ Premere il pulsante di rilascio della batteria (17) sul pacco batteria ed estrarre il pacco batteria dall'elettrotensile, come illustrato nella Figura D.

Stoccaggio della batteria

È possibile riporre una batteria aggiuntiva nel vano di stoccaggio batteria (11).

- ◆ Sollevare il coperchio del vano di stoccaggio batteria e fare scorrere la batteria all'interno del vano, come illustrato nella Figura E. La batteria all'interno di questo vano non aziona il rasaerba.
- ◆ Avvitare i morsetti a rilascio rapido del manico superiore (7) attraverso il manico inferiore e nei dadi dei morsetti (20). Dopo averli avvitati a metà, chiudere i morsetti a rilascio rapido del manico superiore (Fig. G). Se il collegamento tra il manico e i morsetti a rilascio rapido è troppo stretto o troppo lento, regolare la profondità dei morsetti stessi e chiuderli di nuovo fino a quando i denti si innestano completamente.

Assemblaggio

Avvertenza! Prima di assemblarlo, assicurarsi che l'elettrotensile sia spento e che la chiave di sicurezza e la batteria siano state rimosse.

Montaggio del manico inferiore (Fig. F)

- ◆ Sollevare il manico inferiore (4) in posizione assicurandosi che la freccia (18) sulla base del rasaerba con i numeri 1, 2, o 3 sulla base del manico (19) (parte aggiuntiva della Figura F).

Nota! Assicurarsi che ciascun lato del manico inferiore sia posizionato sullo stesso numero. Per azionare il rasaerba la freccia deve essere allineata con i numeri 1, 2 o 3.

- ◆ Chiudere le leve di regolazione dell'altezza del manico (7), come illustrato nella Figura F. Nel chiudere ciascuna leva assicurarsi che i denti siano innestati, come illustrato nella Figura G.
- ◆ Se il collegamento tra il manico e la leva è troppo stretto o troppo allentato, aprire la leva e regolare la profondità della leva stessa, ruotandola. Chiudere di nuovo la leva fino a quando i denti sono completamente serrati e ciascuna leva rimane saldamente chiusa.

Montaggio del manico superiore (Fig. H)

- ◆ Rimuovere le leve di bloccaggio del manico superiore (5), i dadi (20) e le rondelle (21) dal manico.
- ◆ Allineare i fori nella parte inferiore del manico superiore (3) con i fori nella parte superiore del manico inferiore (4).

Nota: assicurarsi che il cavo di alimentazione sia posizionato davanti a entrambi i manici. In caso contrario, il cavo potrebbe aggrovigliarsi e potrebbe risultare difficoltoso riporre il tosaerba (Fig. I).

- ◆ Dalla parte esterna del manico superiore (3), fare scorrere il bullone della leva attraverso i fori.
- ◆ Fare scorrere la rondella sopra al bullone della leva e assemblare l'intero gruppo con il dado, senza bloccarlo.
- ◆ Ruotare il manico superiore nella posizione di funzionamento.
- ◆ Chiudere la leva. Se la leva è troppo stretta o troppo lenta, aprire la leva e il dado per regolare il bloccaggio. Controllare le leve chiudendole. Le leve dovrebbero essere serrate a sufficienza in modo che i manici siano tenuti saldamente in posizione, ma essere abbastanza lente da poter essere chiuse completamente. Regolare aprendo la leva e ruotando il dado fino a quando i manici sono bloccati.

Fissaggio del cavo del motore (Fig. J)

Avvertenza: fissare il cavo in modo che non si allunghi e non rimanga schiacciato nei giunti dei manici durante l'uso o il ripiegamento. Ciò può provocare danni al cavo. Il cavo del motore (22) deve essere fissato ai manici utilizzando i fermi fissacavo (23) già attaccati ai manici stessi.

- ◆ Mettere le mani nella posizione di lavoro (vedere la sezione "Montaggio dell'impugnatura inferiore").
- ◆ Fare passare il cavo sul davanti dei manici superiore e inferiore.
- ◆ Tirare indietro il fermo fissacavo.
- ◆ Fare scorrere il cavo sotto il fermo e assicurarsi che sia tenuto completamente in posizione dal fermo fissacavo.

Insaccamento

- ◆ Assicurarsi che l'accessorio di scarico laterale (27) (Fig. M) e l'inserto per pacciamatura (26) (Fig. L) siano rimossi dal tosaerba prima di eseguire l'insaccamento.
- ◆ Sollevare il coperchio del portello posteriore (9) e collocare il sacco raccogliherba (8) sul tosaerba in modo che i ganci del sacco (24) si appoggino sulle linguette (25), come illustrato nella Figura K, quindi abbassare il coperchio del portello posteriore.

Pacciamatura

- ◆ Assicurarsi che l'accessorio di scarico laterale (27) e il sacco raccogliherba (8) non siano attaccati..

- ◆ Sollevare il coperchio del portello posteriore (9) e fare scorrere l'inserto per pacciamatura (26) completamente all'interno del tosaerba, come illustrato nella Figura L.
- ◆ Prima di azionare il tosaerba, assicurarsi che il coperchio del portello posteriore si chiuda completamente.

Scarico laterale

- ◆ Assicurarsi che il sacco raccogliherba (8) non sia montato.
- ◆ Sollevare il deflettore posteriore (9) e fare scorrere l'inserto per pacciamatura (26) completamente all'interno del tosaerba, come illustrato nella Figura L.
- ◆ Sollevare il deflettore laterale (28) e agganciare l'accessorio di scarico laterale (27) sul tosaerba, come illustrato nella Figura M.
- ◆ Rilasciare il deflettore laterale e assicurarsi che l'accessorio sia fissato in posizione prima di avviare il tosaerba, come illustrato nella parte aggiuntiva della Figura M.

Funzionamento

Avvertenza! Lasciare che il tosaerba funzioni al suo ritmo. Non sovraccaricarlo.

Regolazione dell'altezza del manico (Fig. N)

- ◆ Aprire entrambe le leve di bloccaggio del manico (6).
- ◆ Regolare l'altezza del manico in modo che la freccia (18) sulla base del tosaerba sia allineata con i numeri 1, 2 o 3 sulla base del manico (19), assicurandosi che il manico sia posizionato sullo stesso numero su entrambi i lati del tosaerba.
- ◆ Chiudere entrambe le leve e assicurarsi che il manico sia bloccato saldamente.

Regolazione dell'altezza del tosaerba (Fig. O)

L'altezza di taglio viene regolata per mezzo della leva centrale di regolazione dell'altezza che permette di scegliere tra 7 posizioni diverse.

Nota: se non si è sicuri dell'altezza di taglio, iniziare a tagliare l'erba con la leva di regolazione dell'altezza (7) nella posizione 7 e abbassare l'altezza secondo la necessità, come illustrato nella Figura O.

Per impostare l'altezza di taglio procedere come segue:

- ◆ Estrarre la leva di regolazione dell'altezza del tosaerba dalla tacca di bloccaggio.
- ◆ Spostare la leva verso la parte posteriore dell'elettrotensile per abbassare l'altezza di taglio.
- ◆ Spostare la leva verso la parte anteriore dell'elettrotensile per aumentare l'altezza di taglio.
- ◆ Spingere la leva di regolazione dell'altezza in una delle 7 tacche di bloccaggio.

Chiave di sicurezza

Avvertenza! Per prevenire l'avvio accidentale o l'uso non autorizzato del proprio tosaerba cordless, nell'elettrotensile

è stata incorporata una chiave di sicurezza (29). Il tosaerba viene completamente disabilitato quando la chiave di sicurezza viene rimossa dallo stesso.

Nota: la chiave di sicurezza presenta un foro al centro per consentire di riporla appendendola a un chiodo, fuori dalla portata dei bambini. Non legare la chiave al tosaerba.

- ◆ Inserire la chiave di sicurezza (29) nell'alloggiamento dell'interruttore fino a quando è inserita a fondo, come illustrato nella Figura P. A questo punto il tosaerba è operativo.
- ◆ Il tosaerba è dotato di una speciale scatola interruttore di accensione-spegnimento. Per azionare il tosaerba, premere il pulsante (30) sulla scatola interruttore (1), quindi tirare la barra di sicurezza (2) verso la barra del manico, come illustrato nella Figura Q.
- ◆ Per spegnere il tosaerba, rilasciare semplicemente la barra di sicurezza.

Avvertenza! Non tentare mai di bloccare un interruttore o la barra di sicurezza in posizione on (acceso).

Nota: una volta tornata nella posizione originale, la barra di sicurezza attiva il meccanismo di frenatura automatica. Il motore è frenato elettricamente e la lama del tosaerba smette di ruotare in 3 secondi o meno.

Sovraccarico del tosaerba

Per prevenire danni dovuti a condizioni di sovraccarico, non tentare di rimuovere troppa erba in una sola passata.. Rallentare la velocità di taglio oppure aumentare l'altezza di taglio.

Dispositivo EdgeMax™

Il dispositivo EdgeMax™ (13) consente di tagliare l'erba fino al bordo di un muro o di una recinzione (Fig. R).

Il dispositivo EdgeMax™ consente di tagliare con precisione l'erba fino al bordo del prato (Fig. R1).

- ◆ Con il tosaerba parallelo al bordo del prato, spingere il tosaerba lungo tale bordo. Assicurarsi che il dispositivo EdgeMax™ sia leggermente sopra il bordo del prato (Fig. R1).

Nota: quando l'accessorio di scarico laterale è collegato il dispositivo EdgeMax™ può essere usato solo dalla parte destra del tosaerba.

Tecnologia Autosense™

La tecnologia Autosense™ determina lo spessore dell'erba e regola la potenza di conseguenza.. Quando l'erba più fitta, i tosaerba aumentano di potenza mentre con l'erba più rada la potenza si riduce, in modo da prolungare la vita utile della batteria ed estenderne la durata della carica.

Stoccaggio

Avvertenza! La lama rotante può causare lesioni gravi. Rilasciare la barra di sicurezza (2) per spegnere il tosaerba, sfilare la chiave di sicurezza e rimuovere la batteria prima di

sollevare, trasportare o stoccare il tosaerba.. Stoccare in un luogo asciutto.

Avvertenza! Per evitare di rimanere schiacciati, mantenere le dita lontano dall'area tra i manici quando i manici vengono ripiegati.

Avvertenza! Assicurarsi che il cavo non si allunghi e non rimanga schiacciato nei giunti dei manici durante il ripiegamento. Ciò può provocare danni al cavo.

Il manico del tosaerba può essere facilmente ripiegato per essere stoccato in modo rapido e comodo.

- ◆ Tenendo stretto il manico, aprire le leve di regolazione del manico inferiore (6) senza rimuoverle e ripiegare il manico nella parte anteriore del tosaerba, come illustrato nella Figura S.
- ◆ Aprire le leve di regolazione del manico superiore (5) senza rimuoverle e ripiegare il manico superiore (3) indietro, facendolo passare sopra al manico inferiore (4), come illustrato nella Figura T.
- ◆ Il tosaerba deve essere compattato, come illustrato nella Figura U.

Trasporto del tosaerba

- ◆ Il tosaerba può essere trasportato utilizzando i pratici manici per il trasporto (12), come illustrato nella Figura V.
- NON** tentare di sollevare il tosaerba afferrando il manico superiore (3) o il manico inferiore (4).

Consigli per il taglio dell'erba

Avvertenza! Ispezionare sempre la zona dove deve essere usato il tosaerba ed eliminare pietre, bastoncini, fili di ferro, ossa e qualsiasi altro detrito che potrebbe essere lanciato dalla lama mentre ruota.

Avvertenza! Sui pendii, tagliare l'erba trasversalmente e mai procedendo verticalmente in su e in giù. Prestare la massima attenzione quando si cambia direzione su un pendio. Non tagliare l'erba su pendii molto ripidi. Mantenersi sempre in equilibrio.

- ◆ Rilasciare la barra di sicurezza per spegnere il tosaerba quando si attraversano zone coperte di ghiaia (la lama che ruota potrebbe lanciare il pietrisco).
- ◆ Regolare il tosaerba all'altezza di taglio più alta quando si falcia su terreni secchi o con erbacce alte. Se si taglia troppa erba in una sola passata, il motore si può sovraccaricare, arrestando il tosaerba. Consultare la guida della Ricerca guasti.
- ◆ Se nella stagione di crescita rapida dell'erba si usa il sacco raccogliherba (8), l'erba potrebbe intasare l'apertura di scarico. Rilasciare la barra di sicurezza per spegnere il tosaerba e sfilare la chiave di sicurezza. Rimuovere il cesto raccogliherba e scrollare lo sfalcio verso la parte posteriore del sacco. Pulire via anche sfalcio e detriti che possono essersi accumulati attorno all'apertura di scarico. Sostituire il cesto raccogliherba.

- ◆ Se il tosaerba dovesse iniziare a vibrare in modo anomalo, rilasciare la barra di sicurezza per spegnere il tosaerba e sfilare la chiave di sicurezza. Verificare immediatamente quale possa essere la causa. Una vibrazione segnala la presenza di problemi. Non far funzionare il tosaerba fino a quando non è stato eseguito un controllo di manutenzione. Consultare la guida della Ricerca guasti nel manuale.
- ◆ Rilasciare sempre la barra di sicurezza per spegnere il tosaerba e sfilare la chiave di sicurezza quando lo si lascia incustodito anche per un breve periodo di tempo.

Consigli per un utilizzo ottimale:

- ◆ Ridurre la velocità nelle zone in cui l'erba è particolarmente alta o fitta.
- ◆ Evitare di tagliare l'erba bagnata dalla pioggia o dalla rugiada.
- ◆ Tagliare l'erba frequentemente, in modo particolare durante i periodi di crescita rapida.

Nota: si raccomanda di ricaricare il tosaerba dopo l'uso, per prolungare la vita utile della batteria. Una ricarica frequente non danneggia la batteria e assicura che sarà completamente carica e pronta per l'impiego successivo. Riporre una batteria non completamente carica riduce la sua vita utile.

Rimozione e installazione della lama

Avvertenza! Al momento di riassemblare il gruppo lama, assicurarsi che siano installate correttamente tutte le parti, come descritto sotto.

Un assemblaggio scorretto della lama o di altre parti del gruppo lama potrebbe causare lesioni gravi.

Avvertenza! Rilasciare la barra di sicurezza per spegnere il tosaerba, attendere che la lama si fermi e rimuovere la chiave di sicurezza e il pacco batteria.

- ◆ Tagliare un pezzo di legno 2x4 (31) (lungo 610 mm) per impedire che la lama ruoti quando si rimuove il bullone (32).
- ◆ Indossare guanti e occhiali di protezione idonei.
- ◆ Girare di lato il tosaerba. Fare attenzione ai fili della lama. Posizionare il pezzo di legno e svitare il bullone utilizzando una chiave da 1/2" (33), come illustrato nella Figura W.
- ◆ Rimuovere il bullone e la rondella (34) ed estrarre la lama (35), come illustrato nella Figura X. La ventola (36) non deve essere rimossa. Esaminare tutti i pezzi per controllare che non siano danneggiati e sostituirli se necessario.
- ◆ La lama può essere collegata alla ventola in una sola direzione. Per il riassemblaggio, allineare il foro a forma di "d" della lama con il piolo a forma di "d" della ventola, assicurandosi che la scritta sulla lama sia rivolta verso l'esterno rispetto al tosaerba.
- ◆ Per serrare la lama saldamente, posizionare il pezzo di legno come illustrato nella Figura Y, in modo da evitare che la lama ruoti. Fare scorrere il bullone attraverso la rondella e avvitare in posizione. Serrare con la chiave.

Affilatura della lama

Mantenere affilata la lama per ottenere le migliori prestazioni del tosaerba.. Una lama spuntata non taglia nettamente l'erba. Indossare occhiali di protezione idonei quando si smonta, si affila e si rimonta una lama. Assicurarsi che la chiave di sicurezza e il pacco batteria siano rimossi. In circostanze normali, è di solito sufficiente affilare la lama due volte durante la stagione di taglio. La sabbia spunta rapidamente la lama. Se il prato tagliato si trova su un terreno sabbioso, può essere necessario affilare la lama più di frequente.

Nota: sostituire immediatamente la lama piegata o danneggiata.

Durante l'affilatura della lama:

- ◆ Verificare che la lama rimanga bilanciata.
- ◆ Affilare la lama in base all'angolo di taglio originale.
- ◆ Affilare i fili su entrambe le estremità della lama, asportando quantitativi pari di materiale da entrambe le estremità.

Affilatura della lama in una morsa (Fig. Z)

- ◆ Prima di rimuovere la lama, assicurarsi che la barra di sicurezza sia stata rilasciata, che la lama si sia fermata e che la chiave di sicurezza e il pacco batteria siano stati rimossi.
- ◆ Rimuovere la lama dal tosaerba (vedere le istruzioni per la rimozione e installazione della lama).
- ◆ Bloccare la lama (35) in una morsa (38).
- ◆ Indossare occhiali e guanti di protezione idonei e prestare attenzione a non tagliarsi. Limare con attenzione i fili della lama con una lima sottile (39) o con una pietra per affilare, conservando il filo originale. Verificare che la lama sia bilanciata (vedere le istruzioni per il bilanciamento della lama). Sostituire la lama sul tosaerba e serrarla saldamente.

Bilanciamento della lama (Fig. Z1)

Verificare il bilanciamento della lama (35) posizionando il foro centrale della lama su un chiodo o un cacciavite a stelo tondo (40), con la lama bloccata orizzontalmente in una morsa (38). Se una delle estremità della lama ruota pendendo verso il basso, limare lungo il bordo tagliente di tale estremità. La lama è bilanciata se nessuna delle due estremità cade.

Lubrificazione

La lubrificazione non è necessaria. Non oliare le ruote dato che sono dotate di superfici portanti in plastica che non richiedono lubrificazione.

Pulizia

Rilasciare la barra di sicurezza (2) per spegnere il tosaerba, attendere che la lama si fermi e sfilare la chiave di sicurezza. Per pulire il tosaerba, utilizzare solamente sapone neutro e un panno umido. Pulire via l'eventuale sfalcio accumulatosi sulla

parte inferiore della scocca del tosaerba. Dopo vari impieghi, controllare che tutti gli elementi di fissaggio in vista siano ben saldi.

Prevenzione della corrosione

I fertilizzanti e gli altri prodotti chimici usati in giardino contengono sostanze che velocizzano notevolmente la corrosione dei metalli. Se si taglia l'erba in zone dove sono stati usati fertilizzanti o prodotti chimici, il tosaerba deve essere pulito subito dopo l'impiego nel modo seguente: Rilasciare la barra di sicurezza (2) per spegnere il tosaerba e sfilare la chiave di sicurezza e la batteria. Strofinare tutte le parti esposte con un panno umido.

Manutenzione

Questo elettrotensile BLACK+DECKER con o senza filo è stato progettato per funzionare a lungo con una manutenzione minima. Per ottenere prestazioni sempre soddisfacenti occorre avere cura dell'elettrotensile e sottoporlo a pulizia periodica.

Il caricabatterie non richiede nessuna manutenzione, salvo una regolare pulizia.

Avvertenza! Prima di eseguire interventi di manutenzione su elettrotensili con o senza filo procedere come descritto di seguito.

- ◆ Spegner e scollegare l'elettrotensile dalla presa di corrente.
- ◆ Oppure scaricare completamente la batteria, se è di tipo integrale, quindi spegnerlo.
- ◆ Scollegare il caricabatterie prima di pulirlo. Il caricabatterie non richiede nessuna manutenzione, salvo una regolare pulizia.
- ◆ Pulire regolarmente le prese di ventilazione dell'elettrotensile e del caricabatterie con un pannello o con un panno morbido e asciutto.
- ◆ Il vano del motore deve essere pulito regolarmente con un panno umido. Non usare materiali abrasivi o detergenti a base di solventi.
- ◆ Usare regolarmente un raschietto non affilato per eliminare erba e sporcizia dalla parte inferiore della protezione.

Ricerca guasti

Se l'elettrotensile non dovesse funzionare correttamente, seguire le istruzioni riportate di seguito. Nel caso in cui non sia comunque possibile risolvere il problema, rivolgersi al tecnico BLACK+DECKER di zona.

Avvertenza! Prima di continuare, rilasciare la barra di sicurezza per spegnere il tosaerba, attendere fino a quando la lama si ferma e sfilare la chiave di sicurezza.

Problema	Eventuale soluzione
Il tosaerba non funziona quando la barra di sicurezza è attivata.	Controllare che la chiave di sicurezza sia stata inserita e che sia insediata a fondo e che il pulsante di sicurezza sia totalmente premuto prima di spostare la barra di sicurezza.
	Rilasciare la barra di sicurezza per spegnere il tosaerba. Rimuovere la chiave di sicurezza e il pacco batteria, capovolgere il tosaerba e controllare che la lama possa ruotare liberamente.
	La batteria è stata ricaricata completamente? Collegare il caricabatterie alla presa di corrente e attendere che la spia verde si accenda.
Il motore si spegne durante la falciatura.	Rilasciare la barra di sicurezza per spegnere il tosaerba. Rimuovere la chiave di sicurezza e il pacco batteria. Capovolgere il tosaerba e controllare che la lama possa ruotare liberamente.
	Regolare l'altezza di taglio delle ruote sulla posizione più alta e avviare il tosaerba.
	Controllare che nella sede della batteria non siano presenti impurità e che la batteria sia collegata correttamente.
	La batteria è stata ricaricata completamente? Premere il pulsante dello stato di carica.
	Evitare di sovraccaricare il tosaerba. Rallentare la velocità di taglio oppure aumentare l'altezza di taglio.
Il tosaerba funziona, ma il taglio non è soddisfacente, oppure non riesce a tagliare l'intero prato.	La batteria è stata ricaricata completamente? Premere il pulsante dello stato di carica.
	Rilasciare la barra di sicurezza per spegnere il tosaerba. Rimuovere la chiave di sicurezza e il pacco batteria. Capovolgere il tosaerba e controllare: <ul style="list-style-type: none"> l'affilatura della lama (mantenere la lama ben affilata); che la scocca e il condotto di scarico non siano intasati.
	Le ruote possono essere state regolate a un'altezza troppo bassa per le condizioni dell'erba. Aumentare l'altezza di taglio.
Il tosaerba è troppo duro da spingere.	Rilasciare la barra di sicurezza per spegnere il tosaerba. Estrarre la chiave di sicurezza e il pacco batteria. Aumentare l'altezza di taglio per ridurre la resistenza della scocca sull'erba. Controllare che ogni ruota giri liberamente.

Problema	Eventuale soluzione
Il tosaerba fa rumore e vibra in modo anomalo.	Rilasciare la barra di sicurezza per spegnere il tosaerba. Estrarre la chiave di sicurezza e il pacco batteria. Girare di lato il tosaerba e controllare la lama per verificare che non si sia piegata o danneggiata. Se la lama è danneggiata, sostituirla con una di ricambio BLACK+DECKER. Se la parte inferiore della scocca è danneggiata, portare il tosaerba presso un centro assistenza BLACK+DECKER autorizzato.
	Se non vi sono danni visibili sulla lama e il tosaerba continua a vibrare: <ul style="list-style-type: none"> Rilasciare la barra di sicurezza per spegnere il tosaerba. Estrarre la chiave di sicurezza e il pacco batteria. Disassemblare l'intero gruppo lama, come descritto nella sezione "Rimozione e installazione della lama". Rimuovere gli eventuali detriti presenti e pulire tutti i pezzi. Sostituire ciascun pezzo, come descritto nella sezione "Rimozione e installazione della lama".
	Se il tosaerba continua a vibrare, portarlo presso un centro di assistenza BLACK+DECKER autorizzato.
Il LED del caricabatterie non si accendono	Controllare la connessione. Sostituire il caricabatterie.
Il tosaerba non raccoglie lo sfalcio nel sacco.	Condotto intasato. Rilasciare la barra di sicurezza per spegnere il tosaerba. Estrarre la chiave di sicurezza e il pacco batteria. Eliminare lo sfalcio dal condotto.
	Sollevare l'altezza di taglio delle ruote per accorciare la lunghezza del taglio.
	Sacco pieno. Svuotare il sacco più frequentemente.

Protezione dell'ambiente



Raccolta differenziata. I prodotti e le batterie contrassegnati con questo simbolo devono essere smaltiti con i rifiuti domestici normali.

I prodotti e le batterie contengono materiali che possono essere recuperati o riciclati riducendo la richiesta di materie prime. Riciclare i prodotti elettrici e le batterie secondo le disposizioni locali. Ulteriori informazioni sono disponibili all'indirizzo www.2helpU.com

Dati tecnici

CLMA4825L2		
Tensione in ingresso	V _{DC}	36V
Velocità in assenza di carico	min ⁻¹	2900
Peso	kg	peso netto 21,24 kg; peso lordo 25,95 kg
Batteria		BL2536
Tensione	V _{DC}	36
Capacità	A/h	2,5
Tipo		Ioni di litio

documento tecnico e rilascia questa dichiarazione per conto di Black & Decker.

R. Laverick
Direttore tecnico
Black & Decker Europe, 210 Bath Road, Slough,
Berkshire, SL1 3YD
Regno Unito
18/12/2018

Garanzia

Black & Decker è sicura della qualità dei propri prodotti e offre ai consumatori una garanzia di 24 mesi dalla data di acquisto. Il presente certificato di garanzia è complementare ai diritti legali e non li pregiudica in alcun modo. La garanzia è valida sui territori degli stati membri dell'Unione Europea o dell'EFTA (Associazione europea di libero scambio).

Per attivare la garanzia, il reclamo deve essere effettuato in accordo con i Termini e Condizioni Black & Decker e sarà necessario presentare la prova di acquisto al venditore o all'agente di riparazione autorizzato. I Termini e condizioni della garanzia Black & Decker di 2 anni e la sede dell'agente di riparazione autorizzato più vicino sono consultabili su Internet all'indirizzo www.2helpU.com, o contattando l'ufficio Black & Decker di zona all'indirizzo indicato in questo manuale.

Visitare il nostro sito www.blackanddecker.co.uk per registrare il nuovo prodotto Black & Decker e ricevere gli aggiornamenti sui nuovi prodotti e le offerte speciali.

CLMA4825L2		
Caricabatteria		90616337-xx
Tensione in ingresso	V _{AC}	230
Tensione erogata	V _{DC}	36
Corrente	mA	1300
Tempo di carica approssimativo	min	110

Valore vibrazione misurata su braccio/mano:
= < 0,5 m/s², incertezza (K) = 1,5 m/s².

L_{PA} (pressione sonora) 75 dB(A)
incertezza (K) = 3 dB(A)

Dichiarazione di conformità CE
DIRETTIVA MACCHINE
DIRETTIVA SULLA RUMOROSITÀ ESTERNA



Tosaerba CLMA4825L2 Autosense

Black & Decker dichiara che i prodotti descritti al paragrafo "Dati tecnici" sono conformi alle seguenti norme:
EN60335-1:2012+A11:2014+A13:2017, EN60335-2-77:2010

2000/14/CE, Tosaerba, L < 50cm, Allegato VI,
DEKRA Certification B.V. Meander 1051 / P.O. Box 5185
6825 MJ ARNHEM / 6802 ED ARNHEM, Paesi Bassi, ID ente
notificato n.: 0344

Livello di potenza acustica in base alla norma 2000/14/CE
(Articolo 12, Allegato III, L ≤ 50 cm):

L_{WA} (pressione sonora misurata) 89 dB(A)
incertezza (K) = 3 dB(A)

L_{WA} (pressione sonora garantita) 96 dB(A)

Questi prodotti sono conformi alla Direttiva
2006/42/EC, 2014/30/UE e 2011/65/UE.

Per ulteriori informazioni contattare Black & Decker al seguente indirizzo oppure consultare l'ultima di copertina del manuale.

Il sottoscritto è responsabile della redazione di questo do-

Bedoeld gebruik

Uw BLACK+DECKER CLMA4825L2 Autosense grasmaaier is ontworpen voor het maaien van gras. Deze machine is uitsluitend bedoeld voor consumentengebruik.

Instructies voor de veiligheid

Waarschuwing! Bij het gebruik van snoerloze apparaten moeten bepaalde elementaire voorzorgsmaatregelen, waaronder de navolgende, altijd in acht worden genomen zodat het risico van brand, elektrische schokken, persoonlijk letsel en materiële schade wordt beperkt.

Waarschuwing! De veiligheidsregels moeten worden opgevolgd wanneer u de machine gebruikt. Lees voor uw eigen veiligheid en de veiligheid van omstanders deze instructies voordat u de machine gebruikt. Bewaar de instructies voor later gebruik.

- ◆ Lees deze handleiding zorgvuldig door voordat u de machine in gebruik neemt.
- ◆ In deze handleiding wordt het bedoeld gebruik beschreven. Het gebruik van andere accessoires of hulpstukken dan wel de uitvoering van andere handelingen dan in deze gebruikershandleiding worden aanbevolen, kan een risico van persoonlijk letsel geven.
- ◆ Bewaar deze handleiding zorgvuldig zodat u deze op een later tijdstip ook nog kunt raadplegen.

Gebruik van uw machine

Ga bij gebruik van de machine altijd voorzichtig te werk.

- ◆ Het is niet de bedoeling dat deze machine door jonge of zwakke mensen

wordt gebruikt, zonder dat toezicht op hen wordt gehouden.

- ◆ De machine mag niet als speelgoed worden gebruikt.
- ◆ Laat kinderen of dieren niet in de buurt van de werkomgeving komen of de machine of het netsnoer aanraken.
- ◆ Let extra goed op wanneer u de machine in de buurt van kinderen gebruikt.
- ◆ Gebruik de machine alleen op een droge locatie. De machine mag niet nat worden.
- ◆ Dompel de machine niet onder in water.
- ◆ Open de carrosserie niet. Binnenin bevinden zich geen onderdelen waaraan de gebruiker onderhoud kan uitvoeren.
- ◆ Gebruik de machine niet in een omgeving met explosiegevaar, zoals in de nabijheid van brandbare vloeistoffen, gassen of stof.
- ◆ Haal de stekker nooit uit het stopcontact door aan de kabel te trekken. Zo voorkomt u beschadiging van de stekker of de kabel.

Na gebruik

- ◆ Bewaar de machine na gebruik op een droge, goed geventileerde plaats, buiten het bereik van kinderen.
- ◆ Houd de machine buiten het bereik van kinderen, ook wanneer deze is opgeborgen.
- ◆ Wanneer u de machine in een auto plaatst, moet u deze in de kofferruimte plaatsen en goed vastzetten, zo dat

de machine niet kan losraken bij plotselinge veranderingen in snelheid of richting.

Inspectie en reparaties

- ◆ Controleer de machine vóór gebruik op beschadiging en defecten. Controleer de machine op gebroken onderdelen, schade aan de schakelaars en andere omstandigheden die de werking ervan kunnen beïnvloeden.
- ◆ Gebruik de machine niet als een onderdeel beschadigd of defect is.
- ◆ Laat beschadigde of defecte onderdelen in een officieel servicecentrum repareren of vervangen.
- ◆ Probeer nooit andere onderdelen te verwijderen of te vervangen dan de in deze handleiding genoemde.
- ◆ Let er goed op dat uw vingers bij het afstellen van de maaier niet klem komen te zitten tussen de bewegende messen/onderdelen en de vaste delen van de machine.
- ◆ Denk eraan dat bij het verrichten van onderhoud aan de messen de messen kunnen bewegen, ook al is de stroomvoorziening uitgeschakeld.

Aanvullende veiligheidsinstructies voor grasmaaiers

- ◆ Houd de handgreep stevig met beide handen vast wanneer u met de grasmaaier werkt.
- ◆ Als de grasmaaier op enig moment moet worden gekanteld, zorg er dan voor dat tijdens het kantelen beide handen in de werkpositie blijven. Houd

beide handen in de werkpositie tot de grasmaaier weer goed op de grond staat.

- ◆ Draag nooit een hoofdtelefoon voor radio of muziek wanneer u de grasmaaier bedient.
- ◆ Probeer nooit de wielhoogte aan te passen terwijl de motor draait of terwijl de veiligheidssleutel zich in de behuizing van de schakelaar bevindt.
- ◆ Schakel de grasmaaier als deze vastloopt, uit door de handgreep los te laten, wacht tot het maaiblad tot stilstand komt en neemt u de veiligheidssleutel uit, voordat u probeert de blokkering van de vulopening te verwijderen of iets van onder het dek weg te halen.
- ◆ Blijf met uw handen en voeten uit de buurt van het maaigebied.
- ◆ Houd maaimessen scherp. Draag altijd handschoenen bij het hanteren van het maaimes van de grasmaaier.
- ◆ Als u de grasopvang gebruikt, moet u deze regelmatig controleren op slijtage en beschadigingen. Als de grasopvang ernstig is versleten, moet u deze voor uw eigen veiligheid vervangen.
- ◆ Ga zeer voorzichtig te werk wanneer u de grasmaaier achteruit laat rijden of naar u toe trekt.
- ◆ Kom niet met uw handen of voeten bij of onder de grasmaaier. Blijf altijd uit de buurt van uitwerpopening.
- ◆ Maak het gebied waar u de grasmaaier gaat gebruiken vrij van voorwerpen zoals stenen, stokken, draad, speelgoed, botten, enz. Deze kunnen door het blad worden weggeslingerd.

Voorwerpen die door het blad worden geraakt, kunnen ernstige verwondingen toebrengen aan personen. Blijf achter de handgreep wanneer de motor draait.

- ◆ Gebruik de grasmaaier niet op blote voeten en niet wanneer u sandalen draagt. Draag altijd stevig schoeisel.
- ◆ Trek de grasmaaier alleen achteruit wanneer dat niet anders kan. Kijk altijd omlaag en achter u voordat en terwijl u achteruit loopt.
- ◆ Richt uitgeworpen materiaal niet op iemand.

Zorg ervoor dat uitgeworpen materiaal niet tegen een muur of obstakel komt. Het materiaal kan terugkaatsen naar de gebruiker. Schakel, wanneer u op grindoppervlakken stuit, de grasmaaier uit door de handgreep los te laten, en laat het blad tot stilstand komen.

- ◆ Gebruik de grasmaaier niet zonder dat de volledige grasopvang, het uitwerpschild, de achterste beschermkap en andere veiligheidsvoorzieningen op hun plaats zitten en goed functioneren. Controleer regelmatig dat alle beschermkappen en veiligheidsvoorzieningen in goede staat zijn, dat ze goed werken en zoals bedoeld. Vervang een beschadigde beschermkap of andere veiligheidsvoorziening voordat u de grasmaaier weer gebruikt.
- ◆ Laat een ingeschakelde grasmaaier nooit onbeheerd achter. Verwijder altijd de veiligheidssleutel als u de grasmaaier onbeheerd achterlaat.

- ◆ Voordat u de grasmaaier reinigt, de graszak verwijdert, het uitwerpschild vrijmaakt, de grasmaaier onbeheerd achterlaat of aanpassingen, reparaties of inspecties uitvoert, moet u altijd de handgreep loslaten zodat de grasmaaier wordt uitgeschakeld, wachten tot het blad tot stilstand is gekomen en de veiligheidssleutel uitnemen.
- ◆ Gebruik de grasmaaier alleen bij daglicht of goed kunstlicht, wanneer voorwerpen op de route van het blad duidelijk zichtbaar zijn voor wie met de grasmaaier werkt.
- ◆ Werk niet met de grasmaaier wanneer u onder invloed bent van alcohol of drugs, of wanneer u moe bent of ziek. Blijf altijd goed opletten, kijk wat u doet en gebruik uw gezond verstand.
- ◆ Vermijd gevaarlijke omgevingen. Gebruik de grasmaaier nooit in vochtig of nat gras en nooit wanneer het regent. Zet altijd uw voeten goed neer, wandel en ren nooit.
- ◆ Laat, als de grasmaaier ernstig gaat trillen, de handgreep los, wacht u tot het blad tot stilstand is gekomen en neem de veiligheidssleutel uit. Onderzoek vervolgens onmiddellijk wat de oorzaak van het trillen is. Trillen is over het algemeen een waarschuwing voor problemen. Zie het hoofdstuk Problemen oplossen voor advies in het geval van abnormale trilling.
- ◆ Draag altijd goede bescherming voor uw ogen en luchtwegen wanneer u met de grasmaaier werkt.

- ◆ Gebruikt u hulpstukken die niet worden aanbevolen voor deze grasmaaier, dan kan dat leiden tot gevaarlijke situaties. Gebruik uitsluitend accessoires die zijn goedgekeurd door BLACK+DECKER.
- ◆ Reik nooit buiten uw macht tijdens het werken met de grasmaaier. Zorg er altijd voor dat u stevig staat en dat u niet uw evenwicht verliest tijdens het werken met de grasmaaier.
- ◆ Maai dwars over een helling, nooit omhoog en omlaag. Ga zeer voorzichtig te werk wanneer u op een helling van richting verandert.
- ◆ Pas op voor gaten, wielsporen, hobbels, stenen of andere verborgen voorwerpen. Op oneffen terrein kunt u uitglijden en vallen. Hoog gras kan obstakels verbergen.
- ◆ Maai niet op nat gras of al te steile hellingen. Als u niet stevig staat, kunt u uitglijden en vallen.
- ◆ Maai niet in de buurt van taluds, sloten of kades. U zou kunnen uitglijden of uw evenwicht verliezen.
- ◆ Laat de maaier afkoelen voordat u deze opbergt.

Veiligheid van anderen

- ◆ Dit apparaat mag worden gebruikt door kinderen van 8 jaar en ouder en personen die lichamelijk of geestelijk minder valide zijn of die geen ervaring met of kennis van dit apparaat hebben, mits zij onder toezicht staan of instructies krijgen voor een veilige manier van gebruiken van het apparaat en inzicht hebben in de mogelijke gevaren.

- ◆ Kinderen mogen niet met het apparaat spelen.
- ◆ Laat kinderen nooit zonder toezicht het apparaat schoonmaken of onderhouden.

Overige risico's

Er kunnen zich nog meer risico's voordoen bij het gebruik van deze machine, die mogelijk niet in de bijgesloten veiligheids waarschuwingen worden beschreven. Deze risico's kunnen zich voordoen door onoordeelkundig gebruik, langdurig gebruik, enz.

Zelfs wanneer de veiligheidsvoorschriften in acht worden genomen en de veiligheidshulpmiddelen worden gebruikt, kunnen bepaalde risico's niet worden uitgesloten. Dit zijn onder meer:

- ◆ Verwondingen die worden veroorzaakt door het aanraken van draaiende of bewegende onderdelen.
- ◆ Verwondingen die worden veroorzaakt bij het vervangen van onderdelen, messen of accessoires.
- ◆ Verwondingen die worden veroorzaakt door langdurig gebruik van gereedschap. Wanneer u langere periodes met de machine werkt, kunt u het beste regelmatig een pauze nemen.
- ◆ Gehoorbeschadiging.
- ◆ Gezondheidsrisico's door het inademen van stof dat vrijkomt tijdens het gebruik van uw gereedschap (bijvoorbeeld: het werken met hout, met name eiken, beuken en MDF.)

Waarschuwingssymbolen

Behalve de datumcode vindt u op de machine de volgende symbolen:



Waarschuwing! Lees de handleiding voordat u met de machine gaat werken.



Stel de machine niet bloot aan regen of een hoge luchtvochtigheid.



Pas op voor de scherpe messen. Nadat u de machine hebt uitgeschakeld, blijven de bladen nog even draaien. Voordat u de grasmaaier reinigt, de graszak verwijdert, het uitwerpschild vrijmaakt, de grasmaaier achterlaat of aanpassingen, reparaties of inspecties uitvoert, moet u altijd de veiligheidssleutel uitnemen.



Wees bedacht op rondvliegende voorwerpen. Houd omstanders uit de buurt van het maaigebied.



Draag oogbescherming



Richtlijn 2000/14/EG gegarandeerd geluidsvermogen.

Aanvullende veiligheidsinstructies voor accu's en laders

Accu's

- ◆ Probeer nooit om welke reden dan ook de accu open te maken.

- ◆ Stel de accu niet bloot aan water.
- ◆ Stel de accu niet bloot aan hitte.
- ◆ Bewaar de accu niet op locaties waar de temperatuur kan stijgen tot boven 40 °C.
- ◆ Laad de accu uitsluitend op bij een omgevingstemperatuur tussen 10 °C en 40 °C.
- ◆ Laad de accu uitsluitend op met de lader die bij de machine/het gereedschap is geleverd. Het gebruik van de verkeerde lader kan een elektrische schok of oververhitting van de accu tot gevolg hebben.
- ◆ Gooi lege accu's weg volgens de instructies in het gedeelte "Het milieu beschermen".
- ◆ Beschadig of vervorm de accubehuizing niet. Doorboor of stoot de behuizing niet, dit kan een risico geven van letsel of brand.
- ◆ Laad beschadigde accu's niet op.
- ◆ Onder extreme omstandigheden kunnen accu's lek raken. Wanneer u merkt dat de accu nat of vochtig is, veeg de vloeistof dan voorzichtig af met een doek. Vermijd huidcontact.
- ◆ Volg onderstaande instructies bij huid- of oogcontact.

Waarschuwing! De accuvloeistof kan lichamelijk letsel of materiële schade veroorzaken. Bij huidcontact moet u de vloeistof direct afspoelen met water. Raadpleeg uw huisarts als er rode vlekken ontstaan of bij een pijnlijke of geïrriteerde huid. Bij oogcontact moet u de vloeistof direct uitspoelen met water en uw huisarts raadplegen.



Probeer niet beschadigde accu's op te laden.

Laders

De lader is ontworpen voor een bepaalde spanning. Controleer altijd dat de netspanning overeenkomt met de waarde op het typeplaatje.

Waarschuwing! Probeer nooit de lader te voorzien van een normale netstekker.

- ◆ Gebruik de lader van Black & Decker alleen voor de accu in het gereedschap/de machine waarbij de lader is geleverd. Andere accu's kunnen barsten, met letsel en materiële schade tot gevolg.
- ◆ Probeer nooit niet-oplaadbare accu's op te laden.
- ◆ Als het netsnoer is beschadigd, moet het worden vervangen door de fabrikant of een BLACK+DECKER-servicecentrum zodat gevaarlijke situaties worden voorkomen.
- ◆ Stel de lader niet bloot aan water.
- ◆ Open de lader niet.
- ◆ Prik nooit met een scherp voorwerp in de lader.
- ◆ Plaats de machine/het gereedschap/de accu tijdens het laden op een goed geventileerde locatie.



De lader is uitsluitend bestemd voor gebruik binnenshuis.



Lees de instructiehandleiding voordat u de lader in gebruik neemt.

Elektrische veiligheid



De lader is dubbel geïsoleerd, en daarom is een aardedraad niet nodig. Controleer altijd dat de netspanning overeenkomt met de waarde op het typeplaatje. Probeer nooit de lader te voorzien van een normale netstekker.

- ◆ Als het netsnoer is beschadigd, moet het worden vervangen door de fabrikant of een BLACK+DECKER-servicecentrum zodat gevaarlijke situaties worden voorkomen.

De accu opladen (Afb. A)

De accu moet vóór het eerste gebruik worden opgeladen, en ook zodra de accu niet meer voldoende vermogen levert voor taken die eerst gemakkelijk konden worden uitgevoerd. Tijdens het opladen kan de accu warm worden. Dit is normaal en duidt niet op een probleem.

Waarschuwing! Laad de batterij niet op bij een omgevingstemperatuur van lager dan 10 °C of hoger dan 40 °C. De aanbevolen laadtemperatuur ligt op ongev. 24 °C.

Opmerking: De lader functioneert niet als de temperatuur van de accu lager is dan ongeveer 10° C of hoger dan 40° C. Laat de accu in dat geval in de lader zitten. De lader wordt automatisch ingeschakeld wanneer de accu de juiste temperatuur heeft.

- ◆ Steek de lader in een geschikt stopcontact voordat u de accu plaatst.
- ◆ Plaats de accu in de lader.



Het groene oplaadlampje gaat knipperen ten teken dat de accu wordt opgeladen.



De voltooiing van de lading wordt aangegeven door de groene LED continu blijft. Het pakket is volledig opgeladen en kan worden gebruikt op dit moment of links in de belasting

Waarschuwing! Laad accu's die leeg zijn zo spoedig mogelijk na gebruik op, omdat anders de levensduur van de accu mogelijk ernstig wordt bekort.

Diagnose van de accu door de lader

Deze lader is zo ontworpen dat bepaalde problemen die zich kunnen voordoen met accu's of met de stroomvoorziening, kunnen worden gedetecteerd. Problemen worden aangeduid door middel van een LED die in verschillende patronen knippert.

Slechte accu



De lader kan vaststellen dat een accu zwak is of beschadigd. De rode LED knippert in een patroon dat op het label wordt aangeduid. Ziet u het lampje in dit patroon van een slechte accu knipperen, ga dan niet door met het opladen van de accu. Breng de accu terug naar het service Centrum of naar een inzamellocatie waar de accu kan worden gerecycled.

Hot/Cold Pack Delay (Vertraging Hete/Koude Accu)



Wanneer de lader waarneemt dat een accu veel te warm of veel te koud is, wordt onmiddellijk een Hot/Cold Delay gestart en wordt het laden uitgesteld tot de accu een normale temperatuur heeft bereikt. Zodra dit het geval is, schakelt de lader automatisch over op de stand Pack Charging. Deze functie waarborgt een maximale levensduur van de accu. De rode LED knippert in het patroon dat wordt aangeduid op het label wanneer het Hot/Cold Pack Delay wordt gedetecteerd.

De accu in de lader laten zitten

U kunt de accu voor onbepaalde tijd in de lader laten zitten terwijl het oplaadlampje brandt. De lader zorgt ervoor dat de accu altijd volledig opgeladen is.

Onderdelen

Deze machine heeft enkele van de volgende functies of allemaal.

1. Schakeldoos
2. Hendel voor in-/uitschakelen
3. Bovenste hendel
4. Onderste hendel
5. Bevestigingen bovenste hendel (2)
6. Bevestigingen onderste hendel (2)
7. Stelhendel maaihoogte

8. Grasopvangbak
9. Afdekkap achterste opening
10. Accupoort
11. Opbergcompartiment voor accu
12. Draaggrepen
13. EdgeMax™

De accu plaatsen en verwijderen (afb. B - C)

- ◆ Druk de vrijgaveknop (14) van de afdekkap van de accupoort in trek de afdekkap van de accupoort (15) omhoog zodat de accupoort (10) toegankelijk wordt, zoals in afbeelding B afbeelding wordt getoond.
- ◆ Schuif de accu (16) in de accupoort totdat deze geheel op zijn plaats zit en u een klik hoort (afbeelding C). Controleer dat de accu geheel op zijn plaats zit en goed is vergrendeld.
- ◆ Sluit de afdekkap van de accupoort. Start de maaimachine pas wanneer u hebt gecontroleerd dat de afdekkap goed is vergrendeld.

De accu uitnemen (afb. D)

- ◆ Open de afdekkap van de accupoort (15).
- ◆ Druk de vrijgaveknop (17) op de accu in en trek de accu uit de machine, zoals wordt getoond in afbeelding D.

Accu opbergen

U kunt een extra accu opbergen in het opbergcompartiment (11) van de accu.

- ◆ Licht de afdekkap van het opbergcompartiment op en schuif de accu in het compartiment, zoals in afbeelding E wordt getoond. De maaimachine werkt niet op de accu in dit compartiment.
- ◆ Schroef de snelsluitingen (7) van de bovenste hendel door de onderste hendel in de klembouten (20). Sluit de snelsluitingen van de bovenste hendel, wanneer deze halverwege in de klembouten zijn geschroefd (afb. G). Pas, wanneer de verbinding tussen de hendel en de snelsluitingen te vast of te los is, de diepte aan tot waar de sluitingen in de hendel zijn geschroefd en sluit de snelsluitingen opnieuw totdat de tanden volledig zijn gesloten.

Montage

Waarschuwing! Schakel voorafgaand aan de montage de machine uit, en neem de veiligheidssleutel en de accu eruit.

De onderste hendel bevestigen (afb. F)

- ◆ breng de onderste hendel (4) omhoog en let erop dat de pijl (18) op de grondplaat van de maaimachine tegenover 1, 2 of 3 op de grondplaat van de hendel (19) staat (inzet van afbeelding F).

Opmerking! Controleer dat elke zijde van de onderste hendel op hetzelfde cijfer is gezet. Voor gebruik moet de pijl tegenover 1, 2 of 3 staan.

- ◆ Sluit de hoogteaanpassingen (7) van de hendel, zoals in afbeelding F wordt getoond. Controleer, wanneer u beide sluit dat de tanden ingrijpen zoals wordt getoond in afbeelding G.
- ◆ Als de verbinding tussen de handgreep en de hendel te los is, open dan de hendel en stel de hoogte van de hendel af door deze te draaien. Sluit de hendel weer, zo dat de tanden volledig in elkaar grijpen en elke hendel stevig gesloten blijft.

De bovenste hendel bevestigen (afb. H)

- ◆ Verwijder de bevestigingen (5) van de bovenste hendel, de moeren (20) en de ringen (21) van de handgreep.
- ◆ Lijn de gaten aan de onderzijde van de bovenste handgreep (3) uit met de gaten bovenop de onderste handgreep (4).

Opmerking: Let erop dat het snoer zich voor de beide handgrepen bevindt. Als dat niet zo is, kan het snoer in de war raken en daardoor zal het misschien niet gemakkelijk zijn de maaimachine op te bergen (afb. I).

- ◆ Schuif vanaf de buitenzijde van de bovenste handgreep (3), de bout van de hendel door de gaten.
- ◆ Schuif de ring over de bout van de hendel en monteer het geheel losjes met de bout.
- ◆ Draai de bovenste handgreep in de bedrijfsstand.
- ◆ Sluit de hendel. Als deze te vast of te los zit, open dan de hendel en de moer en stel de bevestiging af. Controleer de hendels voordat u ze sluit. Zij moeten vast genoeg zijn voor een stevige bevestiging van de handgrepen, maar zo los dat de hendels volledig kunnen worden gesloten. Stel ze af door de hendel te openen en de moer te draaien tot de handgrepen stevig vastzitten.

Het motorsnoer vastzetten (afb. J)

Waarschuwing: Bevestig de kabel zo dat deze niet uittrekt of klem komt te zitten in de handgrepen tijdens gebruik of bij het invouwen. Hierdoor kan het snoer beschadigd raken.

Het motorsnoer (22) moet op de handgrepen worden vastgezet met kabelklemmen (23) die al aan de handgrepen zijn bevestigd voor het vastklemmen van de kabel aan de handgreep:

- ◆ Plaats de handgrepen in de bedrijfsstand, zie hoofdstuk "Onderste handgreep bevestigen".
- ◆ Leid de kabel omhoog langs de voorzijde van de onderste en bovenste handgrepen.
- ◆ Trek de kabelklem terug.
- ◆ Schuif de motorkabel onder de klem en controleer dat de kabel volledig op zijn plaats wordt gehouden door de klem.

Zakken

- ◆ Let erop dat het zijhulpstuk (27) (afb. M) en de mulch-inzet (26) (afb. L) van de machine moeten worden verwijderd voordat de zakken worden geplaatst.
- ◆ Haal de afdekkap (9) omhoog en plaats de grasopvangzak (8) op de maaimachine, zo dat de zakhaken (24) op de ogen (25) rusten, zoals wordt getoond in afbeelding K. Breng vervolgens de afdekkap van de achterste opening omlaag.

Mulchen

- ◆ Let erop dat het zijhulpstuk (27) en de opvangzak (8) niet zijn bevestigd.
- ◆ Breng de afdekkap (9) van de achterste opening omhoog en schuif de mulch-inzet (26) geheel op de maaimachine, zoals wordt getoond in afbeelding L.
- ◆ Schakel de maaimachine pas in, wanneer u hebt gecontroleerd dat de afdekkap van de achterste opening volledig sluit.

Zijopening

- ◆ Controleer dat de opvangzak (8) is verwijderd.
- ◆ Breng de achterste flap (9) omhoog en schuif de mulch-inzet (26) geheel op de maaimachine, zoals wordt getoond in afbeelding L.
- ◆ Breng de zijflap (28) omhoog en haak het zij-hulpstuk (27) op de maaimachine, zoals wordt getoond in afbeelding M.
- ◆ Laat de zijflap los en controleer dat het hulpstuk op zijn plaats blijft, voor u de maaimachine inschakelt, zoals wordt getoond in de inzet van afbeelding M.

Bediening

Waarschuwing! Laat de maaimachine op zijn eigen snelheid werken. Overbelast de machine niet.

Hoogte van de handgreep afstellen (afb. N)

- ◆ Open de beide bevestigingen (6) van de onderste hendel.
- ◆ Stel de handgreep zo af dat de pijl (18) op de grondplaat van de maaimachine uitkomt tegenover 1, 2 of 3 op de grondplaat van de handgreep (19). Let erop dat de handgreep aan de beide zijden van de maaimachine op hetzelfde getal is gezet.
- ◆ Sluit de beide bevestigingen en controleer dat de handgreep stevig is vergrendeld.

Hoogte van de maaimachine afstellen (afb. O)

De maaihoogte kan worden afgesteld met de centrale maaihoogte-afstelling, u kunt kiezen uit 7 standen.

Opmerking: Als u niet zeker weet op welke hoogte u moet maaien, begin dan te maaien met de hoogte-afstelling (7) in stand 7 en stel de hoogte, naar behoefte, naar beneden bij, zoals wordt getoond in afbeelding O.

De maaihoogte instellen:

- ◆ Trek de hoogte-afstelling van de maaimachine los van de vergrendelingsnok.
- ◆ Verplaats de hendel in de richting van de achterzijde van de maaimachine als u de maaihoogte wilt laten afnemen.
- ◆ Verplaats de hendel in de richting van de voorzijde van de maaimachine als u de maaihoogte wilt laten toenemen.
- ◆ Duw de hendel voor de afstelling van de maaihoogte vast op een van de 7 vergrendelingsnokken.

Veiligheidssleutel

Waarschuwing! Ter voorkoming van het onbedoeld starten of onbevoegd gebruik van uw snoerloze maaimachine is er een uitneembare veiligheidssleutel (29) in het ontwerp van de maaimachine opgenomen. De maaimachine wordt volledig uitgeschakeld wanneer u de veiligheidssleutel uit de maaimachine haalt.

Opmerking: De veiligheidssleutel heeft een gat in het midden zodat u de sleutel kunt opbergen aan een spijker, buiten bereik van kinderen. Maak de veiligheidssleutel niet vast aan de maaimachine.

- ◆ Steek de veiligheidssleutel (29) in de schakelaar tot dat deze volledig in de schakelaar valt zoals wordt getoond in afbeelding P. De maaimachine is nu klaar voor gebruik.
- ◆ Uw maaimachine is voorzien van een speciale aan-uitschakelkast. Duw, wanneer u de maaimachine wilt gebruiken, op de knop (30) op de schakelkast (1), trek vervolgens de hendel voor in-/uitschakelen (2) naar de stuurbuis, zoals wordt getoond in afbeelding Q.
- ◆ Wanneer u de maaimachine wilt uitschakelen, hoeft u alleen maar de hendel voor in-/uitschakelen los te laten.

Waarschuwing! Probeer nooit een schakelaar of de hendel voor in-/uitschakelen in de ingeschakelde stand te vergrendelen.

Opmerking: Wanneer de handgreep in de originele positie is teruggekeerd, activeert deze het "Automatisch Remsysteem". De motor wordt elektrisch geremd en het maaiblad van de grasmaaier komt in 3 seconden of minder tot stilstand.

Overbelasting van de maaimachine

Voorkom beschadiging door overbelasting, maai niet te veel gras tegelijkertijd. Ga langzamer maaien of verhoog de maaihoogte.

EdgeMax™

Met EdgeMax™ (13) kunt u het gras maaien tot aan de rand van een muur of schutting (afb. R).

Met EdgeMax™ kunt u ook de gazonranden netjes maaien (afb. R1).

- ◆ Duw, terwijl de grasmaaier parallel loopt aan de rand van uw gazon, de machine langs de rand. Let erop dat de EdgeMax™ iets over de rand van het gazon komt (afb. R1).

Opmerking: Wanneer het zij-uitwerphulpstuk is bevestigd kan de EdgeMax™ alleen aan de rechterzijde van de maaimachine worden gebruikt.

Auto sense™-technologie

Auto sense™-technologie bepaalt de dikte van het gras en past in overeenstemming daarmee het vermogen aan. Voor dikker gras spreken de maaimachines meer vermogen aan, terwijl in dunner gras de maaimachines minder vermogen aanspreken zodat de accu langer meegaat en u de machine langer kunt gebruiken

Opslag

Waarschuwing! Het roterende maaiblad kan ernstige verwondingen veroorzaken. Schakel de maaimachine uit door de hendel voor in-/uitschakelen (2) los te laten, neem de veiligheidssleutel uit, haal de accu uit de machine en til dan pas de machine op voor het transport en opslag. Berg de machine op een droge plaats op.

Waarschuwing! Voorkom dat u uw vingers klemt, houd uw vingers weg bij de handgrepen wanneer u deze invouwt.

Waarschuwing! Let erop dat u bij het invouwen van de handgrepen het snoer niet uitrekt of afklemt. Hierdoor kan het snoer beschadigd raken.

U kunt de handgreep van de maaimachine gemakkelijk invouwen en de machine snel en handig opbergen.

- ◆ Open de bevestigingen (6) van de onderste handgreep, terwijl u de handgreep vasthoudt, maar verwijder de bevestigingen niet, en vouw de handgreep naar de voorzijde van de maaimachine, zoals wordt getoond in afbeelding S.
- ◆ Open de bevestigingen (5) van de bovenste handgreep, maar verwijder deze niet, en vouw de bovenste handgreep (3) terug over de onderste handgreep (4), zoals wordt getoond in afbeelding T.
- ◆ De maaimachine moet dan zijn ingevouwen als wordt getoond in afbeelding U.

De maaier dragen

- ◆ U kunt de maaimachine dragen aan de comfortabele draaghandgrepen (12) zoals wordt getoond in afbeelding V. **PROBEER NIET** de maaimachine op te tillen aan de bovenste handgreep (3) of de onderste handgreep (4).

Maaitips

Waarschuwing! Inspecteer altijd het gebied waar de maaimachine moet worden gebruikt en verwijder alle stenen, takken, draden, hondenkluiven en andere brokstukken die door het roterende maaiblad zouden kunnen worden weggeslingerd.

Waarschuwing! Maai dwars over het vlak van een helling, nooit omhoog en omlaag. Ga zeer voorzichtig te werk als u op een helling van richting verandert. Maai uitzonderlijk steile hellingen niet. Zorg er altijd voordat u stevig staat.

- ◆ Laat de hendel voor het in-/uitschakelen los en schakel de maaimachine uit wanneer u over grindoppervlakken loopt (de stenen kunnen door het roterende maaiblad worden weggeslingerd).
- ◆ Stel de grasmaaier op de hoogste maaihoogte in wanneer u een ruwe ondergrond of in hoog onkruid maait. Wanneer u te veel gras tegelijk verwijdert, kan de motor overbelast raken. In dat geval komt de motor tot stilstand. Zie de handleiding Problemen oplossen.
- ◆ Als u een grasopvangzak (8) gebruikt in periodes waarin het gras snel groeit, kan het gras bij de uitwerpopening een verstopping veroorzaken. Laat de hendel voor in-/uitschakelen los en schakel de maaimachine uit, neem vervolgens de veiligheidssleutel uit. Neem de grasopvangbak los en schud het gras tot achterin de zak. Verwijder ook het gras of de rommel die zich misschien rond de uitwerpopening heeft verzameld. Plaats de grasopvangbak weer.
- ◆ Als de machine abnormaal begint te trillen, schakel de machine dan uit door de handgreep los te laten en neem de veiligheidssleutel uit. Kijk onmiddellijk wat de oorzaak van het trillen is. Trillen is een waarschuwing dat er een probleem is. Gebruik de grasmaaier pas weer wanneer er een servicecontrole is uitgevoerd. Zie de gids Problemen oplossen in de handleiding.
- ◆ Laat de handgreep los en schakel de maaimachine uit, en neem altijd de veiligheidssleutel uit, wanneer u de maaimachine onbeheerd achterlaat, ook al is het maar voor even.

Tips voor optimaal gebruik:

- ◆ Ga langzamer maaien op plaatsen waar het gras heel lang en dik is.
- ◆ Maai geen gras dat nat is door de regen of doordrenkt van de dauw.
- ◆ Maai uw gazon regelmatig, vooral wanneer het hard groeit.

Opmerking: U kunt het beste uw maaimachine na gebruik opladen, zodat de accu langer meegaat. Vaak opladen is niet schadelijk voor uw accu, en maakt dat de accu volledig is opgeladen en klaar is voor de volgende maaibeurt van uw gazon. Wanneer u de accu opbergt terwijl deze niet volledig is opgeladen, zal dat de levensduur van de accu bekorten.

Maaiblad verwijderen en installeren

Waarschuwing! Wanneer u het systeem van maaibladen weer monteert, is het belangrijk dat u ieder onderdeel goed installeert, zoals hieronder wordt beschreven. Een onjuiste montage van het maaiblad of van andere onderdelen van het systeem van maaibladen kan leiden tot ernstig letsel.

Waarschuwing! Laat de hendel voor in-/uitschakelen zodat de maaier wordt uitgeschakeld, wacht tot het maaiblad tot stilstand is gekomen en neem de veiligheidssleutel uit.

- ◆ Zaag een stuk hout van 2x4 (31) (ongeveer 60 cm lang), en plaats dat zodat het maaiblad niet kan bewegen wanneer u de bout losdraait (32).
- ◆ Draag handschoenen en geschikte oogbescherming.
- ◆ Draai de maaimachine op haar zij. Wees voorzichtig met de scherpe randen van het maaiblad. Plaats het stuk hout en draai de bout los met een steeksleutel van 1/2" (33), zoals wordt getoond in afbeelding W.
- ◆ Verwijder de bout en de ring (34). trek het maaiblad (35) los, zoals wordt getoond in afbeelding X. De ventilator (36) mag niet worden verwijderd. Inspecteer alle onderdelen op schade en vervang onderdelen als dat nodig is.
- ◆ Het maaiblad kan maar in één richting op de ventilator worden bevestigd. U monteert het maaiblad weer door het d-vormige gat van het maaiblad tegenover de d-vormige stang van de ventilator te houden, terwijl u erop let dat de tekst op het maaiblad naar de buitenzijde van de maaimachine wijst.
- ◆ U zet het maaiblad stevig vast door het stuk hout te plaatsen zoals in afbeelding Y wordt getoond, zodat het maaiblad niet kan draaien. Schuif de bout door de ring en draai de bout op zijn plaats. Zet de bout vast met de steeksleutel.

Maaimessen slijpen

Houd het maimes scherp zodat de maaimachine optimaal kan presteren. Een bot maimes snijdt het gras niet goed af. Draag geschikte oogbescherming wanneer u een maimes verwijdert, slijpt en installeert. Neem vooral de veiligheidssleutel en de accu uit de maaimachine.

Onder normale omstandigheden is tweemaal slijpen tijdens een maaiseizoen wel voldoende. Zand maakt het maaiblad snel bot. Licht uw gazon op zanderige aarde, dan kan het nodig zijn het maaiblad vaker te slijpen.

Opmerking: Vervang een verbogen of beschadigd maaiblad direct.

Bij het slijpen van het maaiblad:

- ◆ Zorg ervoor dat het maaiblad in balans blijft.
- ◆ Slijp het maaiblad onder de oorspronkelijke maaihoek.
- ◆ Slijp de snijkanten aan beide zijden van het maaiblad en verwijder gelijke hoeveelheden materiaal van beide zijden.

Een maaiblad slijpen in een bankschroef (afb. Z)

- ◆ Verwijder pas het maaiblad, nadat u hebt gecontroleerd dat de handgreep los is, het maaiblad tot stilstand is gekomen en de veiligheidssleutel en de accu uit de maaimachine zijn gehaald.
- ◆ Verwijder het maaiblad van de maaimachine. Zie instructies voor het verwijderen en installeren van het maaiblad.
- ◆ Zet het maaiblad (35) vast in een bankschroef (38).

- ◆ Draag geschikte oogbescherming en handschoenen en wees voorzichtig dat u zich niet snijdt. Vrij de snijranden van het blad voorzichtig met een fijn-getande vijl (39) of een slijpsteen, handhaaf de hoek van de oorspronkelijke snijrand. Controleer de balans van het maaiblad. Zie de instructies voor het uitbalanceren van het maaiblad Plaats het maaiblad weer op de maaimachine en zet het stevig vast.

Uitbalanceren van het maaiblad (afb. Z1)

Controleer de balans van het maaiblad (35) door het midden gehad in het zaagblad op een spijker of een schroevendraaier met een rond lemmer (40) te plaatsen, die u horizontaal in een bankschroef (38) hebt geklemd. Als een van de uiteinden van het maaiblad omlaag draait, haal de vijl dan langs de scherpe rand van dat omlaag draaiende uiteinde. Het maaiblad is goed uitgebalanceerd wanneer geen van de uiteinden omlaag draait.

Smering

Smeren is niet nodig.olie de wielen niet. Ze hebben plastic lageroppervlakken waar geen smering voor nodig is.

Reiniging

Laat de handgreep (2) los zodat de maaimachine wordt uitgeschakeld, laat het maaiblad tot stilstand komen en neem vervolgens de veiligheidsleutel uit. Gebruik alleen milde zeep en een vochtige doek om de maaiert te reinigen. Verwijder grasresten die zich aan de onderzijde van de maaiert hebben verzameld. Controleer na meerdere malen gebruiken dat alle blootstelde bevestigingen nog wel vast zitten.

Roest voorkomen

Meststoffen en andere tuinchemicaliën bevatten stoffen die de roestvorming van metalen sterk versnellen. Als u op plaatsen maait waar meststoffen of andere chemicaliën zijn gebruikt, moet de maaiert daarna onmiddellijk als volgt worden gereinigd: Laat de hendel voor in-/uitschakelen (2) los en schakel de maaimachine uit, neem de veiligheidsleutel en de accu uit de machine. Neem alle blootgestelde onderdelen af met een vochtige doek.

Onderhoud

Uw BLACK+DECKER-machine/-gereedschap (met netsnoer/snoerloos) is ontworpen om gedurende langere tijd te functioneren met een minimum aan onderhoud. U kunt het gereedschap/de machine naar volle tevredenheid blijven gebruiken als u voor correct onderhoud zorgt en het/haar regelmatig schoonmaakt. Behalve regelmatige reiniging vraagt de lader geen onderhoud.

Waarschuwing! Doe altijd het volgende voordat u onderhouds- of reinigingswerkzaamheden aan het gereedschap (met snoer/snoerloos) uitvoert.

- ◆ Schakel de machine/het apparaat uit en trek de stekker uit het stopcontact.
- ◆ Maak de accu helemaal leeg, als de accu is ingebouwd en schakel de machine uit.
- ◆ Neem de lader uit het stopcontact voordat u deze schoonmaakt. Behalve regelmatige reiniging vraagt de lader geen onderhoud.
- ◆ Reinig regelmatig de ventilatieopeningen van het gereedschap/de machine en de lader met een zachte borstel of droge doek.
- ◆ Reinig de behuizing van de motor regelmatig met een vochtige doek. Gebruik niet een schurend schoonmaakmiddel of een schoonmaakmiddel op basis van een oplosmiddel.
- ◆ Schraap regelmatig met een botte krabber gras en vuil van onder de beschermkap.

Problemen oplossen

Ga te werk volgens onderstaande instructies, als de machine niet goed lijkt te functioneren. Neem contact op met het BLACK+DECKER-servicecentrum bij u in de buurt, als u het probleem niet kunt verhelpen.

Waarschuwing! Laat voordat u verder gaat, de handgreep voor in-/uitschakelen los, wacht tot het maaiblad tot stilstand is gekomen en neem de veiligheidsleutel uit.

Probleem	Mogelijke oplossing
De maaimachine loopt niet wanneer de handgreep wordt geactiveerd	Controleer dat de veiligheidsleutel is geplaatst en volledig op zijn plaats zit, en dat de knop op het schakelhuis volledig is ingedrukt, voordat u de handgreep voor in-/uitschakelen naar boven trekt.
	Laat de handgreep voor in-/uitschakelen los en zet de maaimachine uit. Neem de veiligheidsleutel en de accu uit, keer de maaiert om en controleer dat het maaiblad vrij kan draaien.
	Is de accu volledig opgeladen? Sluit de lader aan en wacht tot het groene lampje gaat branden.
De motor stopt tijdens het maaien.	Laat de handgreep voor in-/uitschakelen los en zet de maaimachine uit. Verwijder veiligheidsleutel en accu. Keer de maaiert om en controleer dat het blad vrij kan draaien.
	Verhoog de maaihoogte van de wielen naar de hoogste positie en start de maaiert.
	Controleer dat de accu ruimte vrij is van vuil en de accu goed is aangesloten.
	Is de accu volledig opgeladen? Druk op de knop voor het laadniveau.
	Overbelast de maaiert niet. Ga langzamer maaien of verhoog de maaihoogte.

Probleem	Mogelijke oplossing
De maaimachine loopt maar de maairesultaten zijn niet naar tevredenheid of de maaiert maait niet het gehele gazon	Is de accu volledig opgeladen? Druk op de knop voor het laadniveau.
	Laat de handgreep voor in-/uitschakelen los en zet de maaimachine uit. Verwijder veiligheidsleutel en accu. Keer de maaiert om en controleer: <ul style="list-style-type: none"> ◆ Het blad op scherpte – houd het blad scherp. ◆ Het dek en de uitwerpgoot op verstoppen.
	De aanpassing van de wielhoogte kan te laag zijn ingesteld voor de staat van het gras. Verhoog de maaihoogte.
De maaiert is moeilijk te duwen.	Laat de handgreep voor in-/uitschakelen los en zet de maaimachine uit. Verwijder veiligheidsleutel en accu. Verhoog de maaihoogte zodat de wrijving tussen het dek en het gras afneemt. Controleer dat de wielen allemaal vrij kunnen draaien.
De maaiert is luideruchtiger dan normaal en trilt.	Laat de handgreep voor in-/uitschakelen los en zet de maaimachine uit. Verwijder veiligheidsleutel en accu. Draai de maaiert op zijn kant en controleer het blad zodat u er zeker bent dat het niet gebogen of beschadigd is. Als het blad beschadigd is, vervang het door een vervangings-maaiblad van BLACK & DECKER. Is de onderzijde van het dek beschadigd, breng dan de maaimachine terug naar een geautoriseerd servicecentrum van BLACK & DECKER.
	Als er geen zichtbare schade aan het blad is en de maaiert blijft trillen: <ul style="list-style-type: none"> ◆ Laat de handgreep voor in-/uitschakelen los en zet de maaimachine uit. ◆ Verwijder veiligheidsleutel en accu ◆ Demonteer het gehele maaiblad zoals beschreven wordt in het hoofdstuk "Maaiblad verwijderen en installeren". ◆ Verwijder alle vuil en maak elk deel schoon. ◆ Plaats elk onderdeel weer terug zoals beschreven wordt in het hoofdstuk "Maaiblad verwijderen en installeren".
	Als de maaimachine nog steeds trilt, breng de machine dan terug naar een geautoriseerd servicecentrum van BLACK & DECKER.
LED's van de acculader branden niet.	Controleer dat de stekker goed in het stopcontact zit. Vervang de lader
De maaiert pakt het gemaaid gras niet op.	De grasopvang zit verstopt. Laat de handgreep voor in-/uitschakelen los en zet de maaimachine uit. Verwijder veiligheidsleutel en accu. Haal het gemaaid gras uit de grasopvang.
	Verhoog de maaihoogte van de wielen zodat het gras minder kort wordt gemaaid.
	De zak is vol. Leeg de zak vaker.

Het milieu beschermen



Gescheiden afvalinzameling. Producten en accu's die zijn voorzien van dit symbool mogen niet bij het normale huishoudafval worden weggegooid.

Producten en accu's bevatten materialen die kunnen worden teruggewonnen of gerecycled, wat de vraag naar grondstoffen doet afnemen. Recycle elektrische producten en accu's volgens de ter plaatse geldende bepalingen. Nadere informatie is beschikbaar op www.2helpU.com

Technische gegevens

CLMA4825L2 H1		
Ingangsspanning	V _{DC}	36V.
Onbelaste snelheid	min ⁻¹	2900
Gewicht	kg	nettogewicht 21,24 kg, brutogewicht 25,95 kg
Accu		BL2536
Spanning	V _{DC}	36
Capaciteit	Ah	2.5
Type		Li-Ion
Lader		90616337-xx
Ingangsspanning	V _{AC}	230
Uitgangsspanning	V _{DC}	36
Laadstroom	mA	1300
Opladtid ca.	min	110

Waarde gewogen trilling hand/arm:
= < 0,5 m/s², onzekerheid (K) = 1,5 m/s².

L_w (geluidsdruk) 75 dB(A)
onzekerheid (K) = 3 dB(A)

**EG-conformiteitsverklaring
RICHTLIJN VOOR MACHINES
RICHTLIJN VOOR GELUID BUITENSHUIS**



CLMA4825L2 Autosense grasmaaiert

Black & Decker verklaart dat deze producten, beschreven bij 'Technische gegevens', voldoen aan: EN60335-1:2012+A11:2014+A13:2017, EN60335-2-77:2010

2000/14/EG, grasmaaiert, L < 50cm, Bijlage VI, DEKRA Certification B.V. Meander 1051 / Postbus 5185 6825 MJ ARNHEM / 6802 ED ARNHEM, Nederland Aangemelde Instantie ID Nr.: 0344

Niveau van akoestisch vermogen volgens 2000/14/EG (Artikel 12, bijlage III, L ≤ 50 cm):

L_{WA} (gemeten geluidsvermogen) 89 dB(A)
onzekerheid (K) = 3 dB(A)

L_{WA} (gegarandeerd geluidsvermogen) 96 dB(A)

Deze producten voldoen tevens aan richtlijn 2006/42/EC, 2014/30/EU en 2011/65/EU.

Neem voor meer informatie contact op met Black & Decker op het volgende adres of raadpleeg de achterzijde van de handleiding.

Ondergetekende is verantwoordelijk voor de samenstelling van het technische bestand en legt deze verklaring af namens Black & Decker.



R. Laverick
Director of Engineering
Black & Decker Europe, 210 Bath Road, Slough,
Berkshire, SL1 3YD
Verenigd Koninkrijk
18-12-2018

Garantie

Black & Decker heeft vertrouwen in zijn producten en biedt consumenten een garantie van 24 maanden vanaf de aankoopdatum. Deze garantie vormt een aanvulling op uw wettelijke rechten en beperken deze niet. De garantie is geldig op het grondgebied van de Lidstaten van de Europese Unie en de Europese Vrijhandelszone.

Voor een garantie-aanspraak moet uw aanspraak in overeenstemming zijn met de Voorwaarden en Condities van Black&Decker en moet u een bewijs van aankoop overleggen aan de verkoper of aan een geautoriseerde reparatiemoniteur. Voorwaarden en condities van de 2-jarige garantie van Black&Decker en het adres van de vestiging van het geautoriseerde reparatiecentrum bij u in de buurt, kunt u vinden op internet op www.2helpU.com, of door contact op te nemen met het Black & Decker-kantoor ter plaatse, op het adres dat in deze handleiding wordt vermeld.

Bezoek onze website www.blackanddecker.nl, waar u uw nieuwe Black & Decker-product kunt registreren en informatie kunt verkrijgen over nieuwe producten en speciale aanbiedingen.

Uso previsto

El cortacésped BLACK+DECKER CLMA4825L2 Autosense ha sido diseñado para cortar hierba. Este aparato ha sido diseñado únicamente para uso doméstico.

Instrucciones de seguridad

Advertencia Si utiliza aparatos inalámbricos, es necesario seguir las precauciones de seguridad básicas, incluidas las que se indican a continuación, para reducir el riesgo de incendios, descargas eléctricas, lesiones personales y daños materiales.

Advertencia Cuando utilice el aparato se deben seguir las normas de seguridad. Por su propia seguridad y por la de otras personas, lea estas instrucciones antes de utilizar el aparato. Conserve estas instrucciones para consultarlas en un futuro.

- ◆ Lea todo el manual detenidamente antes de utilizar el aparato.
- ◆ En este manual se describe el uso previsto del aparato. La utilización de accesorios o la realización de operaciones distintas de las recomendadas en este manual de instrucciones puede presentar un riesgo de lesiones.
- ◆ Conserve este manual para su futura consulta.

Utilización del aparato

Tenga siempre cuidado al utilizar el aparato.

- ◆ Este aparato no está pensado para ser utilizado por menores o personas que no cuentan con la fuerza necesaria, sin supervisión.

- ◆ Este aparato no debe ser utilizado como un juguete.
- ◆ Evite que los niños y animales se acerquen a la zona de trabajo y toquen el aparato o el cable de alimentación.
- ◆ Tenga cuidado cuando utilice el aparato cerca de los niños.
- ◆ Utilícelo únicamente en lugares secos. Tenga cuidado de no mojar el aparato.
- ◆ No sumerja el aparato en agua.
- ◆ No abra la carcasa. Este aparato no contiene piezas que puedan ser reparadas por el usuario.
- ◆ No utilice el aparato en atmósferas explosivas, como en presencia de líquidos, gases o polvos inflamables.
- ◆ Para evitar dañar los enchufes y los cables, no tire del cable para extraer el enchufe de la toma de corriente.

Después de la utilización

- ◆ Cuando no use el aparato, deberá guardarlo en un lugar seco, bien ventilado y alejado del alcance de los niños.
- ◆ Los niños no deben tener acceso a los aparatos guardados.
- ◆ Cuando guarde o transporte el aparato en un vehículo, deberá colocarlo en el maletero o sujetado, para evitar movimientos producidos por cambios repentinos de velocidad o dirección.

Inspecciones y reparaciones

- ◆ Antes de utilizarlo, compruebe que el aparato no contenga piezas dañadas ni defectuosas. Compruebe que no haya piezas rotas, que los

- interruptores no estén dañados y que no existan otros defectos que puedan afectar al funcionamiento del aparato.
- ◆ No utilice el aparato si presenta alguna pieza dañada o defectuosa.
- ◆ Solicite a un agente de servicio técnico autorizado la reparación o sustitución de las piezas dañadas o defectuosas.
- ◆ Nunca intente extraer ni sustituir ninguna pieza que no esté especificada en este manual.
- ◆ Tenga cuidado durante el ajuste del cortacésped para evitar que el atrapamiento de los dedos entre las cuchillas o piezas en movimiento y las piezas fijas del aparato.
- ◆ Cuando revise las cuchillas tenga cuidado porque, aunque la fuente de alimentación esté desconectada, aún pueden moverse.

Instrucciones de seguridad adicionales para cortacéspedes

- ◆ Cuando utilice el cortacésped, agarre firmemente la empuñadura con ambas manos.
- ◆ Si en algún momento resulta necesario inclinar el cortacésped, asegúrese de mantener ambas manos en la posición de trabajo mientras el cortacésped se encuentre inclinado. Mantenga ambas manos en la posición de trabajo hasta que el cortacésped vuelva a quedar correctamente colocado en el suelo.
- ◆ No utilice nunca el cortacésped si lleva puestos los auriculares de un dispositivo de radio o de música.

- ◆ Nunca intente ajustar la altura de una rueda con el motor en marcha o con la llave de seguridad dentro del interruptor.
- ◆ Si el cortacésped se detiene, suelte la maneta para apagarlo, espere a que la cuchilla se detenga y retire la llave de seguridad antes de intentar desatascar el conducto de descarga o retirar algún objeto de debajo de la plataforma.
- ◆ Mantenga las manos y los pies alejados de la zona de corte.
- ◆ Mantenga las cuchillas afiladas. Utilice guantes protectores cuando manipule la cuchilla del cortacésped.
- ◆ Si utiliza el colector de hierba, compruebe periódicamente su estado para evitar que se desgaste y se deteriore. Si está muy desgastado, por razones de seguridad, deberá sustituirlo con un nuevo colector de hierba.
- ◆ Extreme las precauciones cuando gire el cortacésped o cuando lo tire en dirección hacia usted.
- ◆ No coloque las manos ni los pies cerca o debajo del cortacésped. Manténgase alejado de la apertura del mecanismo de descarga en todo momento.
- ◆ Limpie el área donde va a utilizar el cortacésped de objetos tales como piedras, bastones, cables, juguetes, huesos, etc., que podrían salir despedidos cuando la cuchilla pase por encima de ellos. Los objetos golpeados por la cuchilla pueden causar graves lesiones personales. Manténgase detrás de la empuñadura cuando el motor esté en marcha.
- ◆ No utilice el cortacésped si está descalzo o con sandalias. Lleve siempre un calzado adecuado.
- ◆ No tire del cortacésped hacia atrás si no es absolutamente necesario. En ese caso, mire siempre abajo y detrás antes cuando retrocede.
- ◆ Evite que el material descargado vaya a parar encima de alguna persona. No descargue el material contra una pared o una obstrucción, ya que podría rebotar hacia usted. Suelte la maneta para parar el cortacésped y la cuchilla cuando pase por encima de superficies con grava.
- ◆ No utilice la herramienta sin el colector de hierba, el protector de descarga, el protector trasero u otros dispositivos de seguridad colocados y en funcionamiento. Revise periódicamente todos los protectores y dispositivos de seguridad para comprobar que se encuentren en buen estado, funcionen correctamente y cumplan la función prevista. Sustituya los protectores o dispositivos de seguridad dañados antes de seguir usando la herramienta.
- ◆ No deje nunca desatendido el cortacésped en funcionamiento. Retire siempre la llave de seguridad si va a dejar el cortacésped desatendido.
- ◆ Suelte siempre la maneta para parar el motor, espere a que la cuchilla se detenga por completo y retire la llave de seguridad antes de limpiar el cortacésped, retirar la bolsa colectora,

- ◆ desatascar el protector de descarga, dejar de utilizar el cortacésped o realizar algún ajuste, reparación o revisión.
 - ◆ Utilice el cortacésped únicamente a la luz del día o con iluminación artificial adecuada y cuando los objetos que están en la ruta de la cuchilla sean claramente visibles desde la zona de operación de la herramienta.
 - ◆ No utilice el cortacésped si está bajo el efecto de alcohol o drogas o cuando esté cansado o enfermo. Esté siempre alerta, mire lo que hace y use el sentido común.
 - ◆ Evite las situaciones peligrosas. No utilice nunca el cortacésped sobre hierba mojada o húmeda, ni bajo la lluvia. Manténgase en todo momento firmemente apoyado en el suelo y no corra.
 - ◆ Si el cortacésped empieza a vibrar de forma anormal, suelte la maneta, espere a que la cuchilla se detenga y retire la llave de seguridad antes de intentar encontrar la causa de la vibración. La vibración suele indicar la presencia de un problema. Consulte la guía de solución de problemas para obtener indicaciones en caso de que se produzca una vibración anómala.
 - ◆ Lleve siempre protección ocular y respiratoria cuando utilice el cortacésped.
 - ◆ El uso de esta herramienta con cualquier accesorio no recomendado para este cortacésped puede resultar peligroso. Utilice solamente accesorios aprobados por BLACK+DECKER.
 - ◆ Sea precavido cuando utilice el cortacésped. Mantenga un apoyo firme sobre el suelo y conserve el equilibrio en todo momento cuando utilice el cortacésped.
 - ◆ Trabaje en sentido transversal a la pendiente, nunca hacia arriba o abajo. Tenga sumo cuidado al cambiar de sentido en las pendientes.
 - ◆ Esté atento a los agujeros, los surcos, los baches, las piedras y otros objetos ocultos. Las superficies irregulares pueden provocar resbalones y caídas. El césped alto puede ocultar obstáculos.
 - ◆ No utilice el cortacésped sobre la hierba húmeda ni en pendientes muy pronunciadas. El uso de calzado poco adecuado puede provocar resbalones y caídas.
 - ◆ No utilice el cortacésped cerca de pendientes pronunciadas, zanjas o terraplenes. Podría perder el equilibrio o caerse.
 - ◆ Deje enfriar siempre el cortacésped antes de guardarlo.
- Seguridad de terceros**
- ◆ Ninguna persona (incluidos los niños a partir de 8 años de edad) con capacidades físicas, sensoriales o mentales disminuidas, o que carezca de experiencia y conocimientos, debe utilizar este aparato, salvo que haya recibido supervisión o formación con respecto al uso del aparato de una forma segura y que comprenda los peligros que entraña.

- ◆ Los niños no deben jugar con el aparato. Ningún niño deberá realizar las tareas de limpieza y mantenimiento, salvo que lo hagan bajo supervisión.

Riesgos residuales

El uso de esta herramienta puede producir riesgos residuales adicionales no incluidos en las advertencias de seguridad adjuntas. Estos riesgos se pueden generar por un uso incorrecto, demasiado prolongado, etc.

El cumplimiento de las normas de seguridad correspondientes y el uso de dispositivos de seguridad no evitan ciertos riesgos residuales. Esto incluye:

- ◆ Lesiones producidas por el contacto con piezas móviles o giratorias.
- ◆ Lesiones producidas al cambiar cualquier pieza, cuchilla o accesorio.
- ◆ Lesiones producidas al usar una herramienta por un tiempo demasiado prolongado. Si utiliza una herramienta durante períodos de tiempo demasiado prolongados, asegúrese de realizar pausas con frecuencia.
- ◆ Deterioro auditivo.
- ◆ Riesgos para la salud producidos al respirar el polvo que se genera al usar la herramienta (por ejemplo: en los trabajos con madera, especialmente de roble, haya y tableros de densidad mediana).

Símbolos de advertencia

Junto con el código de la fecha, en la herramienta aparecen los siguientes símbolos:



Advertencia Lea el manual antes de utilizar el aparato.



No exponga el aparato a la lluvia ni a una humedad elevada.



Tenga cuidado con las cuchillas afiladas. Una vez apagada la máquina, las cuchillas continuarán girando. Retire siempre la llave de seguridad antes de limpiar el cortacésped, retirar la bolsa colectora, desatascar el protector de descarga, dejar de utilizar el cortacésped o realizar algún ajuste, reparación o revisión.



Tenga cuidado con los objetos que salen volando. Mantenga a otras personas alejadas de la zona de corte.



Póngase protección para los ojos



Directiva 2000/14/CE sobre la potencia acústica garantizada.

Instrucciones de seguridad adicionales para baterías y cargadores

Baterías

- ◆ Jamás trate de abrir las baterías por ningún motivo.
- ◆ No exponga las baterías al agua.
- ◆ No exponga la batería al calor.
- ◆ No guarde la batería en lugares donde la temperatura supere los 40 °C.
- ◆ Recargue la batería únicamente a una temperatura ambiente entre 10 °C y 40 °C.
- ◆ Utilice únicamente el cargador suministrado con el aparato o la herramienta para realizar la carga. La utilización de un cargador incorrecto podría provocar una descarga eléctrica o el recalentamiento de la batería.
- ◆ Cuando deseche la batería, siga las instrucciones facilitadas en la sección "Protección del medio ambiente".
- ◆ No dañe ni deforme la batería mediante perforaciones o golpes, pues esto supone riesgo de incendio y lesiones.
- ◆ No cargue baterías dañadas.
- ◆ En condiciones extremas, es posible que se produzcan fugas del líquido de las baterías. Cuando observe que se producen fugas en las baterías, limpie cuidadosamente el líquido con un paño. Evite el contacto con la piel.
- ◆ En caso de que se produzca contacto con la piel o los ojos, siga las siguientes instrucciones.

Advertencia El líquido de las baterías puede provocar lesiones o daños materiales. En caso de contacto con la piel, lave la zona afectada con agua inmediatamente. Si se produce enrojecimiento, dolor o irritación, solicite atención médica.

En caso de contacto con los ojos, lave la zona inmediatamente con agua limpia y solicite atención médica.



No intente cargar baterías dañadas.

Cargadores

El cargador se ha diseñado para un voltaje específico. Compruebe que el voltaje de red corresponda al voltaje indicado en la placa de datos.

Advertencia No intente sustituir el cargador por un enchufe convencional para la red eléctrica.

- ◆ Utilice únicamente el cargador BLACK+DECKER suministrado para cargar la batería del aparato o la herramienta. Otras baterías pueden explotar y provocar lesiones y daños materiales.
- ◆ Nunca intente cargar baterías no recargables.
- ◆ Si se daña el cable de alimentación, el fabricante o un centro de servicio técnico autorizado de BLACK+DECKER deberán sustituirlo para evitar riesgos.
- ◆ No exponga el cargador al agua.
- ◆ No abra el cargador.
- ◆ No aplique ningún dispositivo para medir la resistencia del cargador.
- ◆ Durante la carga, el aparato, la herramienta o la batería deben colocarse en una zona correctamente ventilada.



Este adaptador está pensado únicamente para utilizarse en un lugar interior.



Lea el manual de instrucciones antes de usar el producto.

Seguridad eléctrica



El cargador presenta un aislamiento doble; por lo tanto, no se requiere conexión a tierra. Cada vez que utilice el aparato, debe comprobar que el voltaje de la red eléctrica corresponda al valor indicado en la placa de características. No intente sustituir el cargador por un enchufe convencional para la red eléctrica.

- ◆ Si se daña el cable de alimentación, el fabricante o un centro de servicio técnico autorizado de BLACK+DECKER deberán sustituirlo para evitar riesgos.

Carga de la batería (fig. A)

Es necesario cargar la batería antes del primer uso y cada vez que note que no dispone de suficiente potencia para tareas que antes realizaba con facilidad.

Es posible que la batería se caliente durante la carga; esto es normal y no denota ningún problema.

¡Advertencia! No cargue la batería si la temperatura ambiente es inferior a 10 °C o superior a 40 °C. La temperatura de carga recomendada es de aproximadamente 24 °C.

Nota: El cargador no cargará la batería si la temperatura de esta es inferior a 10 °C o superior a 40 °C aproximadamente. Deje la batería en el cargador y este empezará a cargarla automáticamente cuando la temperatura de la batería aumente o disminuya.

- ◆ Conecte el cargador a la toma adecuada antes de introducir el paquete de baterías.
- ◆ Introduzca el paquete de baterías en el cargador.



El LED indicador de carga verde parpadeará, lo cual indica que se está cargando la batería.



La finalización de carga se indica mediante el LED verde está continuamente restante. El paquete está completamente cargado y puede utilizarse en este momento o dejarse en la carga

¡Advertencia! Recargue las baterías descargadas tan pronto como sea posible después del uso, de lo contrario se reducirá la vida útil de la batería.

Diagnóstico del cargador

Este cargador ha sido diseñado para detectar algunos problemas que pueden surgir con los paquetes de baterías o la fuente de alimentación. Los problemas se indican a través de un LED parpadeante con diferentes patrones.

Fallo de la batería



El cargador puede detectar si la batería está débil o dañada. El LED rojo parpadea con el patrón indicado en la etiqueta. Si nota este patrón de parpadeo del indicador de fallo de la batería, no siga recargando la batería. Llévela a un centro de servicios o a un punto de recogida para el reciclaje.

Retardo por batería fría / caliente



Cuando el cargador detecta que la batería está demasiado fría o demasiado caliente, inicia automáticamente un retardo de batería fría/caliente y suspende la carga hasta que la batería se normalice. Después de esto, el cargador cambia automáticamente al modo de carga de batería. Esta característica le asegura el máximo de vida útil a la batería. El LED rojo parpadea con el patrón indicado en la etiqueta cuando detecta el retardo de batería fría/caliente.

Dejar la batería en el cargador

El cargador y la batería pueden permanecer conectados durante un periodo de tiempo indefinido con el indicador LED iluminado. El cargador mantendrá la batería a baja temperatura y completamente cargada. Características Este aparato incluye una o más de las siguientes características.

1. Caja de interruptor
2. Maneta
3. Manillar superior
4. Manillar inferior
5. Palancas de colocación del manillar superior (2)

6. Palancas de colocación del manillar inferior (2)
7. Palanca de ajuste de altura de corte
8. Bolsa colectora de hierba
9. Tapa puerta trasera
10. Alojamiento de la batería
11. Compartimento para guardar una batería
12. Asas de transporte
13. EdgeMax™

Colocación y extracción del paquete de baterías (figs. B - C)

- ◆ Apriete el botón de liberación de la tapa del alojamiento de la batería (14) y levante la tapa del compartimento de la batería (15) para dejar al descubierto el alojamiento de la batería (10) como se muestra en la figura B.
- ◆ Deslice la batería (16) en el alojamiento de la batería hasta que quede bien encajada y se oiga un clic (figura C). Compruebe que el paquete de baterías quede bien colocado y enganchado en su posición.
- ◆ Cierre la tapa del alojamiento de la batería. Compruebe que la tapa quede bien enganchada antes de empezar a cortar.

Extracción del paquete de baterías (fig. D)

- ◆ Abra la tapa del alojamiento de la batería (15).
- ◆ Presione el botón de liberación de la batería (17) del paquete de baterías y sáquelo de la herramienta como se muestra en la figura D.

Compartimento para guardar una batería

Se puede guardar otra batería en el compartimento destinado a tal fin (11).

- ◆ Levante la tapa del compartimento de la batería y deslice la batería en el compartimento como se muestra en la figura E. La batería colocada en este compartimento no activa el cortacésped.
- ◆ Atomille los enganches de liberación rápida del manillar superior (7) con las tuercas de enganche (20) del manillar inferior. Con los enganches de liberación rápida del manillar inferior atomillados a mitad, cierre los enganches de liberación rápida (fig G). Si la conexión entre la empuñadura y los enganches de liberación rápida está demasiado apretada o demasiado suelta, ajuste la profundidad de los enganches y vuelva a cerrarlos hasta que los dientes estén completamente cerrados.

Ensamblaje

Advertencia Antes de proceder al montaje, compruebe que la herramienta esté apagada y que haya retirado la llave de seguridad y la batería.

Colocación del manillar inferior (fig. F)

- ◆ Levante el manillar inferior (4) asegurándose de que la flecha (18) de la base del cortacésped queda alineada con los números 1, 2, o 3 de la base del manillar (19) (recuadro de la figura F).

Nota Compruebe que cada lado del manillar inferior esté colocado en el mismo número. La flecha debe estar alineada con 1, 2, o 3 para el funcionamiento.

- ◆ Cierre las palancas de ajuste de altura del manillar (7) como se muestra en la figura F. Cuando las cierra, compruebe que el diente quede encajado como se muestra en la figura G.
- ◆ Si la conexión entre el manillar y la palanca queda demasiado floja o ajustada, abra la palanca y ajuste la profundidad de la palanca girándola. Vuelva a cerrarla hasta que el diente quede bien apretado y cada palanca quede bien cerrada.

Colocación del manillar superior (fig. H)

- ◆ Saque las palancas de colocación del manillar superior (5), tuercas (20) y arandelas (21) del manillar.
- ◆ Alinee los orificios del fondo del manillar superior (3) con los orificios de la parte superior del manillar inferior (4).

Nota: Compruebe que el cable esté colocado delante de ambos manillares. Si no es así, el cable puede enredarse e impedir guardar fácilmente el cortacésped (fig. I)

- ◆ Desde la parte exterior del manillar superior (3), deslice el perno de la palanca por los orificios.
- ◆ Deslice la arandela por el perno de la palanca y monte en modo flojo todo el conjunto con la tuerca.
- ◆ Gire el manillar superior hacia la posición de funcionamiento.
- ◆ Cierre la palanca. Si está demasiado ajustada o demasiado floja, abra la palanca y la tuerca para ajustar la sujeción. Compruebe las palancas cerrándolas. Deben estar suficientemente ajustadas para aferrar bien los manillares, pero suficientemente flojas para cerrar totalmente las palancas. Ajuste abriendo la palanca y girando la tuerca hasta que los manillares queden firmes.

Fijación del cable del motor (fig. J)

Advertencia: Fije el cable para que no se estire ni si aplaste en las juntas de los manillares durante el uso o cuando lo pliega. Esto puede causar daños al cable.

El cable del motor (22) debe fijarse a los manillares usando los sujetas cables (23) que ya están colocados en los manillares para sujetar el cable al manillar:

- ◆ Coloque los manillares en posición de funcionamiento, consulte la sección "Montar el manillar inferior".
- ◆ Levante el cable hasta los manillares inferior y superior.
- ◆ Tire hacia atrás el sujetas cable.

- ◆ Deslice el cable del motor debajo de la sujeción y asegúrese de que quede sujeto en su posición con el sujeta cable.

Colocación de la bolsa colectora

- ◆ Compruebe que el accesorio de descarga lateral (27) (fig. M) y el accesorio de mulching (26) (fig. L) no estén colocados en el cortacésped, antes de colocar la bolsa colectora.
- ◆ Levante la tapa de la puerta trasera (9) y coloque la bolsa colectora de hierba (8) en el cortacésped de modo que los ganchos de la bolsa (24) queden en las orejetas (25) como se muestra en la figura K. Baje la tapa de puerta trasera.

Mulching

- ◆ Compruebe que el accesorio de descarga lateral (27) y la bolsa colectora (8) no estén colocados.
- ◆ Levante la tapa de la puerta trasera (9) y deslice el inserto de mulching (26) hasta el fondo en el cortacésped como se muestra en la figura L.
- ◆ Compruebe que la tapa de la puerta trasera esté completamente cerrada antes de encender el cortacésped.

Descarga lateral

- ◆ Compruebe haber sacado la bolsa colectora (8).
- ◆ Levante la aleta trasera (9) y deslice el inserto de mulching (26) hasta el fondo en el cortacésped como se muestra en la figura L.
- ◆ Levante la aleta lateral (28) y enganche el accesorio de descarga lateral (27) en el cortacésped como se muestra en la figura M.
- ◆ Suelte la aleta lateral y asegúrese de que el accesorio se mantenga en su posición antes de encender el cortacésped como se muestra en el inserto de la figura M.

Funcionamiento

Advertencia Deje que el cortacésped funcione a su ritmo. No lo sobrecargue.

Ajuste de altura de los manillares (fig. N)

- ◆ Abra ambas palancas de colocación del manillar inferior (6).
- ◆ Ajuste el manillar para que la flecha (18) de la base del cortacésped quede alineada con los números 1, 2, o 3 de la base del manillar (19). Compruebe que el manillar quede en el mismo número de ambos lados del cortacésped.
- ◆ Cierre ambas palancas y compruebe que el manillar quede bien enganchado.

Ajuste de altura del cortacésped (fig. O)

La altura del corte se ajusta con la palanca de ajuste de altura central, tiene 7 posiciones para elegir.

Nota: Si no está seguro a qué altura cortar, comience a cortar con la palanca de ajuste de altura (7) en posición 7 y ajuste la altura según sea necesario, como se muestra en la figura O. Para establecer la altura del corte:

- ◆ Saque la palanca de ajuste de altura del cortacésped de la hendidura de bloqueo.
- ◆ Mueva la palanca hacia la parte posterior del aparato para reducir la altura de corte.
- ◆ Mueva la palanca hacia la parte frontal del aparato para aumentar la altura de corte.
- ◆ Empuje la palanca de ajuste de altura hacia una de las 7 hendiduras de bloqueo.

Llave de seguridad

Advertencia Para evitar arranques accidentales o el uso no autorizado de su cortacésped sin cable, se ha incorporado una llave de seguridad extraíble (29) en el diseño del cortacésped. El cortacésped se desactiva completamente al sacar la llave de seguridad del cortacésped.

Nota: La llave de seguridad tiene un orificio en el centro para guardarla en un clavo, alejada del alcance de los niños. No ate la llave de seguridad al cortacésped.

- ◆ Inserte la llave de seguridad (29) en el alojamiento del interruptor hasta que quede totalmente insertada en su interior como se muestra en la figura P. Ahora el cortacésped está operativo.
- ◆ El cortacésped está equipado con una caja de interruptor de encendido-apagado especial. Para usar el cortacésped, pulse el botón (30) de la caja de interruptor (1), tire la maneta (2) hacia el manillar como se muestra en la figura Q.
- ◆ Para apagar el cortacésped, suelte la maneta.

Advertencia No intente nunca trabar un interruptor o la maneta en la posición de encendido.

Nota: Cuando la maneta vuelve a la posición original, se activa el "mecanismo de freno automático". El motor se frena eléctricamente y la cuchilla del cortacésped deja de girar en 3 segundos o menos.

Sobrecarga del cortacésped

Para evitar daños debidos a condiciones de sobrecarga, no intente sacar demasiada hierba de una vez. Disminuya la velocidad de corte o aumente la altura de corte.

EdgeMax™

EdgeMax™ (13) le permite cortar el césped justo hasta el borde de una pared o una valla (fig R). EdgeMax™ le permite cortar el césped justo hasta el borde del cortacésped (fig R1).

- ◆ Con el cortacésped paralelo al borde del césped, empuje el cortacésped por el borde del césped. Compruebe que el EdgeMax™ esté ligeramente por encima del borde del césped (fig. R1).

Nota: Cuando está montado el accesorio de descarga lateral, el EdgeMax™ puede usarse solo en la parte derecha del cortacésped.

Tecnología Auto sense™

La tecnología Auto sense™ determina el espesor de la hierba y realiza los ajustes necesarios. Para hierba más gruesa, el cortacésped aumenta la potencia, mientras que con hierba más fina, disminuye la potencia de salida para conservar la vida de la batería y prolongar el tiempo de funcionamiento.

Almacenamiento

Advertencia La cuchilla giratoria puede provocar lesiones graves. Suelte la maneta (2) para apagar el cortacésped, retire la llave de seguridad y saque la batería antes de transportar o almacenar el cortacésped. Guarde el cortacésped en un lugar seco.

Advertencia Para evitar aplastamientos, mantenga los dedos alejados de la parte que está entre los manillares cuando baje los manillares.

Advertencia Asegúrese de que el cable no se estire ni se aplaste en las juntas de los manillares cuando lo pliegue. Esto puede causar daños al cable.

El manillar del cortacésped puede plegarse fácilmente hacia abajo para un almacenamiento fácil y conveniente.

- ◆ Sosteniendo el manillar, abra, pero no extraiga, las palancas de colocación del manillar inferior (6) y pliegue el manillar hacia la parte delantera del cortacésped como se muestra en la figura S.
- ◆ Abra, pero no extraiga, las palancas de colocación del manillar superior (5) y vuelva a plegar el manillar superior (3) sobre el manillar inferior (4) como se muestra en la figura T.
- ◆ El cortacésped debe estar comprimido hacia adelante como se muestra en la figura U.

Transporte del cortacésped

- ◆ El cortacésped puede transportarse utilizando la empuñadura de transporte correspondiente (12) como se muestra en la figura V. NO intente levantar el cortacésped aferrándolo del manillar superior (3) o inferior (4).

Sugerencias para el corte

Advertencia Examine siempre el área donde vaya a utilizar el cortacésped y retire las piedras, palos, alambres, huesos o demás restos que podrían ser expulsados por la cuchilla giratoria.

Advertencia Trabaje en sentido transversal a la pendiente, nunca hacia arriba o abajo. Tenga sumo cuidado al cambiar

de sentido en las pendientes. No corte el césped en cuestas demasiado pronunciadas. Permanezca en una posición firme.

- ◆ Suelte la maneta para apagar el cortacésped al cruzar un área cubierta con grava (la cuchilla puede arrojar las piedras).
- ◆ Para cortar el césped en terreno irregulares o con malezas altas, seleccione la máxima altura de corte. Si intenta cortar demasiada cantidad de césped de una vez, es posible que el motor se sobrecargue y se pare. Consulte la guía de solución de problemas.
- ◆ Si en la estación de crecimiento rápido se utiliza la bolsa colectora (8), es posible que la hierba provoque atascos en la abertura de descarga. Suelte la maneta para apagar el cortacésped y retire la llave de seguridad. Extraiga el recogedor y sacúdalo para que el césped caiga hacia el fondo de la bolsa. Limpie el césped y los residuos que se hayan compactado alrededor de la abertura de descarga. Sustituya el recogedor de hierba.
- ◆ Si el cortacésped empieza a vibrar en modo anormal, suelte la maneta para apagar el cortacésped y extraiga la llave de seguridad. Compruebe inmediatamente la causa. La vibración suele indicar la presencia de un problema. No utilice el cortacésped hasta que no se haya realizado un comprobación. Consulte la guía de solución de problemas en el manual.
- ◆ Cada vez que deje de usar el cortacésped, aunque sea durante un período de tiempo breve, suelte siempre la maneta para apagarlo y retire la llave de seguridad.

Consejos por un uso óptimo:

- ◆ Reduzca la velocidad en las áreas donde el césped esté demasiado alto o sea demasiado tupido.
- ◆ Evite cortar el césped cuando este esté mojado por la lluvia o impregnado de rocío.
- ◆ Corte el césped a menudo, especialmente durante los períodos de crecimiento rápido.

Nota: Recomendamos recargar la batería después del uso, para prolongar la vida de la batería. La carga frecuente no daña la batería y asegura que esté completamente cargada y lista para el próximo uso. Guardar la batería no completamente cargada, acorta la vida de la misma.

Montaje y desmontaje de la cuchilla

Advertencia Cuando vuelva a montar el sistema de la cuchilla, compruebe que cada pieza esté correctamente colocada, como se describe abajo.

El montaje incorrecto de la cuchilla o de otras piezas del sistema de la cuchilla puede causar lesiones graves.

Advertencia Suelte la maneta para apagar el cortacésped, espere a que la cuchilla se detenga y retire la llave de seguridad y el paquete de baterías.

- ◆ Corte una pieza de madera de 2x4 (31) (aprox. 2 pies de largo) (610 mm) para impedir que la cuchilla gire al extraer el perno (32).
- ◆ Utilice guantes y protección ocular adecuada.
- ◆ Voltee el cortacésped sobre uno de los lados. Tenga cuidado con los bordes afilados de la cuchilla. Coloque la madera y desatornille el perno con una llave de 1/2" (33) como se muestra en la figura W.
- ◆ Extraiga el perno y la tuerca (34), saque la cuchilla (35) como se muestra en la figura X. No hay que sacar la paleta (36). Examine que ninguna pieza esté dañada y reemplazarla si es necesario.
- ◆ La cuchilla puede colocarse en la paleta solo en una dirección. Para volver a montar, alinee el agujero en forma de D de la cuchilla con la espiga en D de la paleta, compruebe que la escritura de la cuchilla mire hacia fuera del cortacésped.
- ◆ Apriete bien, coloque la pieza de madera como se muestra en la figura Y para impedir que la cuchilla gire. Deslice el perno por la arandela y atornille el perno en su posición. Apriete con una llave.

Cómo afilar la cuchilla

Para optimizar el rendimiento del cortacésped, mantenga la cuchilla afilada. Una cuchilla desafilada no corta en modo bien definido el césped. Utilice protección ocular apropiada para extraer, afilar e instalar la cuchilla. Compruebe haber retirado la llave de seguridad y el paquete de baterías.

En situaciones normales, por lo general, es suficiente afilar la cuchilla dos veces durante la temporada de corte. La arena hace que la cuchilla se desafile rápidamente. Si su terreno es de suelo arenoso, es probable que sea necesario afilarla con más frecuencia.

Nota: Si la cuchilla está curvada o dañada, reemplácela de inmediato.

Para afilar la cuchilla:

- ◆ Asegúrese de que la cuchilla esté equilibrada.
- ◆ Afíle la cuchilla en el ángulo de corte original.
- ◆ Afíle los bordes de corte en ambos extremos de la cuchilla y retire la misma cantidad de material en ambos extremos.

Para afilar la cuchilla en un tornillo de banco (fig. Z)

- ◆ Asegúrese de haber soltado la maneta y haber extraído la cuchilla y el paquete de baterías antes de extraer la cuchilla.
- ◆ Saque la cuchilla del cortacésped. Consulte las instrucciones de montaje y desmontaje de la cuchilla.
- ◆ Sujete la cuchilla (35) en un tornillo de banco (38).
- ◆ Utilice protección ocular adecuada y guantes y tenga cuidado de no cortarse. Lime con cuidado los filos de la cuchilla con una lima fina (39) o una piedra de afilar, conservando siempre el ángulo original del filo. Compruebe el

equilibrio de la cuchilla. Compruebe las instrucciones de equilibrado de la cuchilla. Vuelva a colocar la cuchilla en el cortacésped y apriétela bien.

Equilibrio de la cuchilla (fig. Z1)

Compruebe el equilibrio de la cuchilla (35) colocando el orificio central en la cuchilla sobre un clavo o en un destornillador de vástago redondo (40), sujeta horizontalmente en un tornillo de banco (38). Si alguno de los extremos de la cuchilla gira hacia abajo, lije el filo de tal extremo que cae. La cuchilla está correctamente balanceada cuando no cae ninguno de los extremos.

Lubricación

No es necesario realizar ningún tipo de lubricación. No engrase las ruedas, ya que tienen una superficie de rodamiento plástico que no necesita lubricación.

Limpieza

Suelte la maneta (2) para apagar el cortacésped, espere a que se pare la cuchilla y extraiga la llave de seguridad. Para limpiar el cortacésped, utilice únicamente jabón suave y un paño húmedo. Saque los recortes de césped que se hayan acumulado en la parte inferior de la plataforma. Después de haber utilizado la unidad varias veces, revise las sujeciones externas para verificar que estén firmemente ajustadas.

Cómo evitar la corrosión

Los fertilizantes y otros productos químicos de jardinería contienen agentes que aceleran considerablemente la corrosión de los metales. Si utiliza el cortacésped en áreas donde se hayan aplicado fertilizantes u otros productos químicos, límpielo inmediatamente después de finalizar el trabajo como se indica a continuación: Suelte la maneta (2) para apagar el cortacésped y saque la llave de seguridad y la batería. Limpie todas las piezas expuestas con un paño húmedo.

Mantenimiento

Su aparato o herramienta con o sin cable de BLACK+DECKER ha sido diseñada para funcionar durante un largo período de tiempo con un mantenimiento mínimo. El funcionamiento satisfactorio continuado depende de un cuidado apropiado y una limpieza periódica de la herramienta o aparato.

El cargador no requiere ningún mantenimiento especial excepto la limpieza periódica.

Advertencia Antes de realizar el mantenimiento de herramientas eléctricas con o sin cables:

- ◆ Apague y desenchufe el aparato o herramienta.
- ◆ O bien, deje que la batería se agote por completo si es integral y, a continuación, apague el aparato.

- ◆ Desenchufe el cargador antes de limpiarlo. El cargador no requiere ningún mantenimiento especial excepto la limpieza periódica.
- ◆ Limpie periódicamente las ranuras de ventilación de la herramienta, aparato y cargador con un cepillo suave o un paño seco.
- ◆ Limpie periódicamente la carcasa del motor con un paño húmedo. No utilice limpiadores de base abrasiva ni disolventes.
- ◆ Utilice periódicamente un raspador sin filo para eliminar los restos de hierba y la suciedad acumulada debajo del protector.

Resolución de problemas

Si nota que el aparato no funciona bien, siga las instrucciones que se indican a continuación. Si no se resuelve el problema, póngase en contacto con un técnico autorizado de BLACK+DECKER.

Advertencia Antes de empezar, suelte la maneta para apagar el cortacésped, espere a que la cuchilla se detenga y retire la llave de seguridad.

Problema	Posible solución
El cortacésped no funciona cuando se activa la maneta.	Compruebe que la llave de seguridad esté puesta y bien colocada, y verifique que el botón de desbloqueo está totalmente apretado antes de tirar la maneta.
	Suelte la maneta para apagar el cortacésped. Retire la llave de seguridad y el paquete de baterías, voltee el cortacésped y compruebe que la cuchilla gire libremente.
	¿La batería está completamente cargada? Enchufe el cargador y espere hasta a que se encienda la luz verde.
El motor se detiene mientras está cortando el césped.	Suelte la maneta para apagar el cortacésped. Retire la llave de seguridad y el paquete de baterías. Voltee el cortacésped y compruebe que la cuchilla gire libremente.
	Eleve la altura de corte de las ruedas a la posición más alta y encienda el cortacésped.
	Compruebe que el alojamiento de la batería esté libre de restos y que la batería esté correctamente conectada.
	¿La batería está completamente cargada? Pulse el botón del estado de la carga.
	No sobrecargue el cortacésped. Disminuya la velocidad de corte o aumente la altura de corte.

Problema	Posible solución
El cortacésped funciona, pero el rendimiento de corte no es satisfactorio, o no corta el césped en su totalidad.	¿La batería está completamente cargada? Pulse el botón del estado de la carga.
	Suelte la maneta para apagar el cortacésped. Retire la llave de seguridad y el paquete de baterías. Voltee el cortacésped y compruebe lo siguiente: <ul style="list-style-type: none"> ◆ Que la cuchilla esté afilada. ◆ Que no haya obstrucciones en la plataforma ni en el conducto de descarga.
	Es probable que la altura de las ruedas se haya fijado en una posición demasiado baja para el estado del césped. Eleve la altura de corte.
El cortacésped resulta difícil de empujar.	Suelte la maneta para apagar el cortacésped. Retire la llave de seguridad y el paquete de baterías. Eleve la altura de corte para reducir el rozamiento de la plataforma contra el césped. Compruebe que cada rueda gire libremente.
El cortacésped produce vibraciones y ruidos inusuales.	Suelte la maneta para apagar el cortacésped. Retire la llave de seguridad y el paquete de baterías. Voltee el cortacésped sobre uno de los lados y revise la cuchilla para asegurarse de que no está curvada o dañada. Si la cuchilla está dañada, sustitúyala por una cuchilla de repuesto BLACK+DECKER. Si la parte inferior de la plataforma está dañada, envíe el cortacésped a un centro de mantenimiento BLACK+DECKER autorizado.
	Si no hay daños visibles en la cuchilla y el cortacésped todavía vibra: <ul style="list-style-type: none"> ◆ Suelte la maneta para apagar el cortacésped. ◆ Retire la llave de seguridad y el paquete de baterías. ◆ Desmonte el conjunto de la cuchilla en su totalidad como se describe en la sección "Montaje y desmontaje de la cuchilla". ◆ Extraiga todos los restos y limpie cada pieza. ◆ Sustituya cada pieza como se describe en la sección "Montaje y desmontaje de la cuchilla".
	Si el cortacésped sigue vibrando, envíelo a un centro de mantenimiento BLACK+DECKER autorizado.
Los LEDs del cargador de batería no se encienden.	Compruebe el enchufe de conexión. Sustituya el cargador.
El cortacésped no recoge los recortes en la bolsa.	Conducto obstruido. Suelte la maneta para apagar el cortacésped. Retire la llave de seguridad y el paquete de baterías. Limpie el conducto de recortes de hierba.
	Eleve la altura de corte de las ruedas para reducir la longitud del corte.
	Bolsa llena. Vacíe la bolsa con más frecuencia.

Protección del medio ambiente



Recogida selectiva. Los productos y las baterías marcadas con este símbolo no se deben eliminar con la basura doméstica normal.

Los productos y las baterías que contienen materiales que se puedan recuperar o reciclar reducen la demanda de materias primas. Recicle los productos eléctricos y las baterías de conformidad con la normativa local. Puede obtener más información en www.2helpU.com

Datos técnicos

CLMA4825L2 H1		
Voltaje de entrada	V _{CC}	36V
Velocidad sin carga	min. ⁻¹	2900
Peso	kg	peso neto 21,24 KG, bruto 25,95 KG
Batería		BL2536
Tensión	V _{CC}	36
Capacidad	Ah	2.5
Tipo		iones de litio
Cargador		90616337-xx
Voltaje de entrada	V _{CA}	230
Voltaje de salida	V _{CC}	36
Corriente	mA	1300
Tiempo de carga aproximado	min	110

Vibraciones soportadas en mano/brazo:
= < 0,5 m/s², incertidumbre (K) = 1,5 m/s².

L_{PA} (presión acústica) 75 dB(A)
incertidumbre (K) = 3 dB(A)

**Declaración de conformidad CE
DIRECTIVA SOBRE MÁQUINAS
DIRECTIVA SOBRE EL RUIDO EXTERIOR**



Cortacésped CLMA4825L2 Autosense

Black & Decker declara que los productos descritos en "datos técnicos" cumplen las normas:
EN60335-1:2012+A11:2014+A13:2017, EN60335-2-77:2010

2000/14/CE, cortacésped, L < 50 cm, Anexo VI,
DEKRA Certification B.V. Meander 1051 / P.O. Box 5185
6825 MJ ARNHEM / 6802 ED ARNHEM, Países Bajos
ID de organismo notificado n.º: 0344

Nivel de intensidad acústica de acuerdo con la directiva 2000/14/CE (artículo 12, anexo III, L ≤ 50 cm):
L_{WA} (potencia acústica medida) 89 dB (A)
incertidumbre (K) = 3 dB(A)
L_{WA} (potencia acústica garantizada) 96 dB(A)

Estos productos también cumplen con las directivas 2006/42/CE, 2014/30/UE y 2011/65/UE.

Si desea obtener más información, póngase en contacto con Black & Decker a través de la siguiente dirección o consulte la parte trasera del manual.

El abajo firmante es responsable de la elaboración del expediente técnico y realiza esta declaración en nombre de Black & Decker.

R. Laverick
Director de Ingeniería
Black & Decker Europa, 210 Bath Road, Slough,
Berkshire, SL1 3YD
Reino Unido
18/12/2018

Garantía

Black & Decker confía en la calidad de sus productos y ofrece a los consumidores una garantía de 24 meses a partir de la fecha de compra. Esta garantía es adicional a sus derechos legales y no los menoscaba en modo alguno. La garantía es válida dentro de los territorios de los Estados Miembros de la Unión Europea y del Área de Libre Comercio Europea.

Para reclamar la garantía, la reclamación se debe presentar de conformidad con las condiciones de Black & Decker. Tendrá que adjuntar un justificante de compra al vendedor o al agente técnico autorizado. Las condiciones de la garantía de 2 años de Black & Decker y la ubicación de su agente técnico autorizado más cercano se pueden obtener en Internet en www.2helpU.com o poniéndose en contacto con su oficina local de Black & Decker en la dirección que se indica en este manual.

Visite nuestro sitio web www.blackanddecker.co.uk para registrar su nuevo producto Black & Decker y recibir noticias sobre nuevos productos y ofertas especiales.

Utilização pretendida

O cortador de relva com a tecnologia Autosense BLACK+DECKER CLMA4825L2 foi concebido para cortar relva. Este aparelho destina-se apenas a utilização doméstica.

Instruções de segurança

Atenção! Ao utilizar aparelhos sem fios, deve sempre cumprir medidas de segurança básicas, incluindo as seguintes, de modo a reduzir os riscos de incêndio, choque eléctrico, danos pessoais e materiais.

Atenção! Ao utilizar a máquina, terá de seguir as regras de segurança. Para sua segurança e das outras pessoas, leia estas instruções antes de utilizar a máquina. Mantenha as instruções em local seguro para futuras consultas.

- ◆ Leia com atenção todo o manual antes de utilizar o aparelho.
- ◆ A utilização prevista para este aparelho está descrita neste manual. A utilização de qualquer acessório ou a realização de qualquer operação com este aparelho que não esteja incluída no presente manual de instruções poderá representar um risco de ferimentos pessoais.
- ◆ Conserve este manual para referência futura.

Utilização do aparelho

Tenha sempre cuidado quando utilizar este aparelho.

- ◆ Este aparelho não deve ser utilizado por jovens ou pessoas doentes sem supervisão.
- ◆ Este aparelho não deve ser utilizado como um brinquedo.

- ◆ Não deixe crianças ou animais aproximarem-se da área de trabalho ou tocarem no aparelho ou no cabo de alimentação.
- ◆ É necessária uma supervisão atenta quando o aparelho está a ser utilizado próximo de crianças.
- ◆ Utilize-o apenas num local seco. Não deixe molhar o aparelho.
- ◆ Não mergulhe o aparelho em água.
- ◆ Não abra a estrutura do aparelho. O aparelho não tem peças no interior que possam ser reparadas pelo utilizador.
- ◆ Não utilize o equipamento em áreas com risco de explosão, nas quais se encontrem líquidos, gases ou poeiras inflamáveis.
- ◆ Para reduzir o risco de danos nas fichas e cabos, nunca puxe o cabo para remover a ficha de uma tomada.

Após a utilização

- ◆ Quando não for utilizado, o aparelho deve ser guardado num local seco e com boa ventilação, longe do alcance das crianças.
- ◆ As crianças não devem ter acesso a aparelhos armazenados.
- ◆ Quando o aparelho for guardado ou transportado num veículo, deverá ser colocado na bagageira ou fixo de forma a evitar o movimento devido a alterações súbitas na velocidade ou direcção.

Inspeção e reparações

- ◆ Antes da utilização verifique o aparelho quanto a peças danificadas ou avariadas. Verifique se há peças partidas, danos nos interruptores ou outro tipo de condições que possam afectar o seu funcionamento.
- ◆ Não utilize este aparelho se alguma das peças estiver danificada ou avariada.
- ◆ Mandar reparar ou substituir quaisquer peças danificadas ou avariadas por um agente de reparação autorizado.
- ◆ Nunca tente retirar ou substituir quaisquer peças que não as especificadas neste manual.
- ◆ Cuidado durante o ajuste do cortador para evitar ficar com os dedos presos entre lâminas/peças em movimento e peças fixas da máquina.
- ◆ Quando proceder a reparações das lâminas, tenha em atenção que, apesar da fonte de alimentação estar desligada, as lâminas podem deslocar-se.

Instruções de segurança adicionais para cortadores de relva

- ◆ Segure bem a ferramenta com ambas as mãos quando estiver a manobrar o cortador de relva.
- ◆ Se, a qualquer altura, for necessário inclinar o cortador de relva, certifique-se de que ambas as mãos permanecem na posição de funcionamento do aparelho enquanto o cortador se encontra inclinado. Mantenha ambas as mãos na posição de funcionamento do

aparelho até o cortador de relva voltar a estar correctamente posicionado no chão.

- ◆ Nunca use auscultadores para ouvir rádio ou música enquanto estiver a manobrar o cortador de relva.
- ◆ Nunca tente fazer um ajuste da altura da roda enquanto o motor estiver em funcionamento ou se a chave de segurança estiver no caixa do comutador.
- ◆ Se o cortador de relva encravar, liberte a barra dos fardos para desligar o cortador, aguarde que a lâmina pare e retire a chave de segurança, antes de tentar desobstruir o cano ou remover o que estiver abaixo da estrutura.
- ◆ Mantenha as mãos e os pés afastados da área de corte.
- ◆ Mantenha as lâminas afiadas. Utilize sempre luvas de protecção durante o manuseamento da lâmina do cortador de relva.
- ◆ Se estiver a utilizar o colector de relva, verifique-o regularmente quanto a indícios de desgaste e deterioração. Se estiver excessivamente usado, substitua-o por um novo colector de relva para sua segurança.
- ◆ Tenha muita atenção quando estiver a inverter ou a puxar o cortador de relva na sua direcção.
- ◆ Não coloque as mãos ou pés perto ou sob o cortador de relva. Mantenha-se sempre afastado da abertura de descarga.
- ◆ Limpe a área onde o cortador de relva vai ser usado retirando objectos como

pedras, paus, cabos, brinquedos, ossos, etc., que poderão ser atirados pela lâmina. Os objectos atirados pela lâmina podem causar ferimentos graves. Mantenha-se atrás do manípulo quando o motor estiver ligado.

- ◆ Não trabalhe com o cortador de relva, descalço ou com sandálias. Utilize sempre calçado de segurança.
- ◆ Não faça andar para trás o cortador de relva, excepto se for absolutamente necessário. Olhe sempre para baixo e para trás antes e quando estiver a deslocar-se para trás.
- ◆ Nunca direcione os materiais descarregados para pessoas. Evite descarregar os materiais junto a uma parede ou outro elemento de obstrução. Os materiais poderão fazer ricochete contra o operador. Liberte a barra dos fardos para desligar o cortador de relva e pare a lâmina quando estiver a passar por superfícies com gravilha.
- ◆ Não trabalhe com o cortador de relva sem todo o colector de relva, protecção de descarga, protecção traseira ou outros dispositivos de segurança montados e a funcionar. Verifique periodicamente todas as protecções e dispositivos de segurança para se certificar de que estão em bom funcionamento e de que irão funcionar correctamente e executar a respectiva função prevista. Substitua uma protecção danificada ou outro dispositivo de segurança antes da utilização do aparelho.

- ◆ Nunca deixe um cortador de relva em funcionamento sem vigilância. Remova sempre a chave de segurança no caso de o cortador ficar sem vigilância.
- ◆ Liberte sempre a barra dos fardos para parar o motor, aguarde até a lâmina parar completamente e remova a chave de segurança antes de limpar o cortador de relva, remover o saco de relva, desobstruir a protecção de descarga, quando deixar o cortador de relva ou antes de efectuar quaisquer ajustes, reparações ou inspecções.
- ◆ Utilize o cortador de relva apenas à luz do dia ou com uma boa luz artificial desde que os objectos no percurso da lâmina fiquem claramente visíveis na área de funcionamento do cortador de relva.
- ◆ Não utilize o cortador de relva sob o efeito do álcool ou drogas, ou quando estiver cansado ou doente. Esteja sempre atento, preste atenção ao que está a fazer e use o bom senso.
- ◆ Evite ambientes perigosos. Nunca utilize o cortador de relva se a relva estiver húmida ou molhada, nunca utilize o cortador de relva à chuva. Tenha sempre cuidado ao deslocar-se, ande normalmente e nunca corra.
- ◆ Se o cortador de relva começar a vibrar anormalmente, liberte a barra dos fardos, aguarde que a lâmina pare, retire a chave de segurança e, em seguida, verifique imediatamente qual a causa. A vibração é, geralmente, um

sinal de problemas; consulte o guia de resolução de problemas para obter conselhos no caso de ocorrência de vibrações anormais.

- Utilize sempre óculos de protecção e uma protecção respiratória adequada quando utilizar o cortador de relva.
- A utilização de qualquer acessório não recomendado para a utilização com este cortador de relva poderá ser perigosa. Utilize apenas acessórios aprovados pela BLACK+DECKER.
- Nunca tente chegar a pontos fora do alcance enquanto estiver a manobrar o cortador de relva. Mantenha-se sempre bem posicionado e equilibrado enquanto estiver a manobrar o cortador de relva.
- Corte ao longo dos socacos e nunca em sentido ascendente e descendente. Tenha muito cuidado quando mudar de direcção em declives.
- Preste atenção aos buracos, sulcos, solavancos, pedras ou outros objectos escondidos. O terreno irregular pode causar uma derrapagem e uma queda accidental. A relva grande pode ocultar obstáculos.
- Não corte relva molhada ou em escarpas acentuadas. O andamento irregular pode causar uma derrapagem e uma queda accidental.
- Não corte perto de descidas, valas ou represas. Poderá perder o equilíbrio.
- Deixe sempre o cortador arrefecer antes de o guardar.

Segurança de terceiros

- Este aparelho pode ser utilizado por crianças com 8 anos de idade ou mais e por pessoas que apresentem capacidades físicas, sensoriais ou mentais reduzidas ou que não possuam os conhecimentos e a experiência necessários, se forem vigiadas e instruídas acerca da utilização do aparelho de uma forma segura e entenderem os perigos envolvidos.
- As crianças não deverão mexer no aparelho. A limpeza e manutenção não deverão ser efectuadas por crianças sem supervisão.

Riscos residuais

Podem surgir riscos residuais adicionais durante a utilização da ferramenta, que poderão não constar nos avisos de segurança incluídos. Estes riscos podem resultar de má utilização, uso prolongado, etc.

Mesmo com o cumprimento dos regulamentos de segurança relevantes e com a implementação de dispositivos de segurança, alguns riscos residuais não podem ser evitados. Estes incluem:

- Ferimentos causados pelo contacto com peças em rotação/movimento.
- Ferimentos causados durante a troca de peças, lâminas ou acessórios.
- Ferimentos causados pela utilização prolongada de uma ferramenta. Quando utilizar uma ferramenta durante períodos prolongados, certifique-se de que faz pausas regularmente.
- Danos auditivos.

- Problemas de saúde causados pela inalação de poeiras resultantes da utilização da ferramenta (exemplo: trabalhos em madeira, especialmente carvalho, faia e MDF.)

Símbolos de aviso

Os seguintes símbolos de aviso apresentam os seguintes símbolos de aviso juntamente com o código de data:



Atenção! Antes de utilizar o aparelho, leia o manual.



Não exponha o aparelho à chuva ou humidade elevada.



Esteja atento a lâminas afiadas. As lâminas continuarão a rodar após a máquina ter sido desligada. Remova sempre a chave de segurança antes de limpar o cortador de relva, remover o saco de relva, desobstruir a protecção de descarga, quando deixar o cortador de relva ou antes de efectuar quaisquer ajustes, reparações ou inspecções.



Esteja atento à projecção de objectos. Mantenha as pessoas afastadas da área de corte.



Use uma protecção ocular



A potência sonora cumpre a Directiva 2000/14/CE.


Instruções de segurança adicionais para baterias e carregadores

Baterias

- Nunca tente abrir a bateria, seja qual for o motivo.
- Não exponha as baterias à água.
- Não exponha a bateria ao calor.
- Não armazene em locais onde a temperatura possa exceder os 40 °C.
- Carregue apenas a temperaturas ambiente entre 10 °C e 40 °C.
- Carregue apenas com o carregador fornecido com o aparelho/ferramenta. A utilização do carregador errado pode resultar em choque eléctrico ou sobreaquecimento da bateria.
- Ao eliminar as baterias, siga as instruções indicadas na secção "Protecção do ambiente".
- Não danifique a bateria por perfuração ou impacto, pois poderá originar risco de ferimentos e incêndio.
- Não carregue baterias danificadas.
- Em condições extremas, pode ocorrer uma fuga nas baterias. Se detectar a fuga de líquido das baterias, limpe o líquido cuidadosamente com um pano. Evite o contacto com a pele.
- Em caso de contacto com a pele ou com os olhos, siga as instruções seguintes.

Atenção! O fluido da bateria pode causar ferimentos pessoais ou danos materiais. Em caso de contacto com a pele, enxágue imediatamente com água.

Em caso de vermelhidão, dor ou irritação, contacte um médico. Em caso de contacto com os olhos, enxágüe imediatamente com água limpa e procure ajuda médica.

 Não tente carregar baterias danificadas.

Carregadores

O seu carregador foi concebido para uma tensão específica.

Verifique sempre se a tensão de alimentação corresponde à tensão indicada na placa de especificações.

Atenção! Nunca tente substituir a unidade do carregador por uma tomada de alimentação normal.

- ◆ Utilize o seu carregador BLACK+DECKER apenas para carregar a bateria do aparelho/ferramenta com que foi fornecido. Outras baterias podem rebentar, provocando ferimentos e danos.
- ◆ Nunca tente carregar baterias não recarregáveis.
- ◆ Se o cabo de alimentação estiver danificado, terá de ser substituído pelo fabricante ou por um Centro de Assistência autorizado BLACK+DECKER, de modo a evitar lesões.
- ◆ Não exponha o carregador à água.
- ◆ Não abra o carregador.
- ◆ Não manipule o interior do carregador.
- ◆ O aparelho/ferramenta/bateria deve ser colocado numa área com boa ventilação durante o carregamento.



O adaptador deverá ser utilizado apenas em espaços interiores.



Antes da utilização, leia o manual de instruções.

Segurança eléctrica



O seu carregador tem isolamento duplo. Por esse motivo, não precisa de ligação à terra. Verifique sempre se a tensão de alimentação corresponde à tensão indicada na placa de especificações. Nunca tente substituir a unidade do carregador por uma tomada de alimentação normal.

- ◆ Se o cabo de alimentação estiver danificado, terá de ser substituído pelo fabricante ou por um Centro de Assistência autorizado BLACK+DECKER, de modo a evitar lesões.

Carregar a bateria (Fig. A)

A bateria precisa de ser carregada antes da primeira utilização e sempre que não conseguir produzir energia suficiente em trabalhos anteriormente feitos sem dificuldade.

A bateria pode aquecer durante o carregamento. Isto é normal e não indica um problema.

Atenção! Não carregue a bateria a temperaturas ambiente inferiores a 10 °C ou superiores a 40 °C. Temperatura de carregamento recomendada: aproximadamente 24 °C.

Nota: O carregador não irá carregar a bateria se a temperatura das células for inferior a 10 °C ou superior a 40 °C.

A bateria não deve ser retirada do carregador para que este comece a carregar automaticamente quando a temperatura das células aquecer ou arrefecer.

- ◆ Ligue o carregador numa tomada adequada antes de inserir a bateria.
- ◆ Insira a bateria no carregador.



O LED verde ficará a piscar, indicando que a bateria está a ser carregada.



A conclusão da carga é indicado pelo LED verde está continuamente restante. O pacote está totalmente carregada e pode ser usado neste momento ou esquerda na carga

Atenção! Recarregue as baterias descarregadas assim que possível após a utilização, caso contrário a duração da bateria pode diminuir consideravelmente.

Diagnóstico do carregador

Este carregador foi concebido para detectar determinados problemas que possam surgir com baterias ou a fonte de alimentação. Os problemas são indicados pela iluminação de um LED intermitente com diferentes padrões.

Problemas na bateria



O carregador permite detectar uma bateria fraca ou danificada. O LED vermelho pisca com o padrão indicado na etiqueta. Se aparecer este padrão intermitente de problemas na bateria, interrompa o carregamento da bateria. Entregue-a a um centro de assistência ou num local de recolha para reciclagem

Retardação de calor/frio



Quando o carregador detecta que uma bateria está demasiado quente ou fria, inicia automaticamente a retardação de calor/frio, interrompendo o processo de carga até a bateria normalizar. Em seguida, o carregador muda automaticamente para o modo Carregar a bateria. Esta função assegura a duração máxima da bateria. O LED vermelho pisca no padrão indicado na etiqueta quando a retardação de calor/frio é detectada.

Deixar a bateria no carregador

O carregador e a bateria podem permanecer ligados com o LED aceso indefinidamente. O carregador irá manter a bateria completamente carregada.

Características

Este aparelho inclui algumas ou todas as seguintes características.

1. Caixa de comutação
2. Pega automotora
3. Manipulo superior

4. Manipulo inferior
5. Alavancas de acessório do manipulo superior (2)
6. Alavancas de acessório do manipulo inferior (2)
7. Alavanca de ajuste da altura de corte
8. Saco de recolha de relva
9. Tapa do compartimento traseiro
10. Porta da bateria
11. Compartimento de armazenamento das baterias
12. Manipulos de transporte
13. EdgeMax™

Colocação e remoção da bateria (fig. B - C)

- ◆ Prima o botão de abertura da tampa do compartimento da bateria (14) e puxe a tampa do compartimento da bateria (15) para cima de modo a expor o compartimento da bateria (10), como indicado na figura B.
- ◆ Deslize a bateria (16) para dentro do compartimento da bateria até ficar totalmente encaixada e ouvir um clique (figura C). Certifique-se de que a bateria está totalmente encaixada na posição.
- ◆ Feche a tampa do compartimento da bateria. Certifique-se de que a tampa fica totalmente encaixada antes de ligar o cortador.

Retirar a bateria (fig. D)

- ◆ Abra a tampa do compartimento da bateria (15).
- ◆ Prima o botão de libertação da bateria (17), como indicado na bateria e puxe a bateria para fora da ferramenta como indicado na figura D.

Compartimento de armazenamento da bateria

É possível armazenar uma bateria adicional no compartimento de armazenamento da bateria (11).

- ◆ Levante a tampa do compartimento de armazenamento e deslize a bateria dentro do compartimento, como indicado na figura E. A bateria neste compartimento não activa o cortador de relva.
- ◆ Enrosque os grampos de desbloqueio rápido do manipulo superior (7) nas porcas de aperto (20) através do manipulo inferior. Com os grampos de desbloqueio rápido do manipulo superior enroscados até meio, feche os grampos de desbloqueio rápido (fig. G). Se a ligação entre o manipulo e os grampos de desbloqueio rápido estiver demasiado apertada ou solta, ajuste a profundidade dos grampos de desbloqueio rápido e feche-os novamente até os dentes ficarem totalmente fechados.

Montagem

Atenção! Antes da montagem, certifique-se de que a ferramenta está desligada e que a chave de segurança e bateria foram removidas.

Fixar o manipulador inferior (fig. F)

- ◆ Levante o manipulador inferior (4), certificando-se de que a seta (18) na base do cortador de relva fica alinhada com 1, 2, ou 3 na base do manipulador (19) (gravura da figura F).

Nota! Certifique-se de que cada lado do manipulador inferior está regulado com o mesmo número. Em termos de funcionamento, a seta deve ficar alinhada com 1, 2, ou 3.

- ◆ Feche as alavancas de ajuste da altura do manipulador (7) como indicado na figura F. À medida que fechar cada uma, certifique-se de que os dentes ficam encaixados, como indicado na figura G.
- ◆ Se a ligação entre o manipulador e a alavanca for demasiado apertada ou demasiado solta, abra a alavanca e ajuste a profundidade da alavanca rodando a alavanca. Feche novamente até os dentes ficarem totalmente presos e cada alavanca totalmente fechada.

Fixar o manipulador superior (fig. H)

- ◆ Retire as alavancas do acessório do manipulador superior (5), as porcas (20) e as anilhas (21) do manipulador.
- ◆ Alinhe os furos na parte inferior do manipulador superior (3) com os furos na parte superior do manipulador inferior (4).

Nota: Certifique-se de que o cabo está localizado na parte da frente de ambos os manipuladores. Se não estiver, o cabo pode ficar entrelaçado, o que impede o armazenamento do cortador (fig. I)

- ◆ A partir da parte exterior do manipulador superior (3), deslize o parafuso de alavanca através dos furos.
- ◆ Deslize a anilha sobre o parafuso da alavanca e monte frouxamente todo o conjunto com a porca.
- ◆ Rode o manipulador superior para a posição de funcionamento.
- ◆ Feche a tampa. Se estiver demasiado apertado ou demasiado solto, abra a alavanca e a porca para ajustar a fixação. Feche as alavancas para verificar se estão fechadas. Devem estar suficientemente apertadas para que os manipuladores fiquem presos com firmeza, mas soltos o suficiente para que as alavancas possam ser totalmente fechadas. Ajuste-a abrindo a alavanca e rodando a porca até as porcas até as porcas ficarem fixas.

Fixar o cabo do motor (fig. J)

Atenção: Monte o cabo de modo a não ficar esticado ou dobrado nas uniões dos manipuladores durante a utilização ou dobragem. Isto pode causar danos no cabo.

O cabo do motor (22) tem de ser fixado nos manipuladores utilizando as abraçadeiras (23) que já estão afixadas no manipulador para prender o cabo no manipulador:

- ◆ Coloque os manipuladores na posição de funcionamento, consulte a secção "Fixar o manipulador inferior".
- ◆ Passe o cabo à frente dos manipuladores inferior e superior.

- ◆ Puxe a abraçadeira para trás.
- ◆ Deslize o cabo do motor por baixo do clipe e certifique-se de que fica totalmente preso com a abraçadeira.

Ensaçamento

- ◆ Certifique-se de que retira o acessório de descarga lateral (27) (fig. M) e o acessório de palhagem (26) (fig. L) do cortador antes de efectuar o ensaçamento.
- ◆ Levante a tampa do compartimento traseiro (9) e instale o saco de recolha de relva (8) no cortador de modo a que os ganchos do saco (24) fiquem assentes nas argolas (25) como indicado na figura K. Em seguida, baixe a tampa do compartimento inferior.

Palhagem

- ◆ Certifique-se de que o acessório de descarga lateral (27) e o saco de recolha (8) não estão montados.
- ◆ Levante a tampa do compartimento da porta traseira (9) e encaixe o acessório de palhagem (26) totalmente dentro do cortador, como indicado na figura L.
- ◆ Certifique-se de que a tampa da porta traseira fecha por completo antes de ligar o cortador.

Descarga lateral

- ◆ Certifique-se de que o saco de recolha (8) é removido.
- ◆ Levante a aba traseira (9) e encaixe o acessório de palhagem (26) totalmente dentro do cortador, como indicado na figura L.
- ◆ Levante a aba lateral (28) e encaixe o acessório de descarga lateral (27) dentro do cortador, como indicado na figura M.
- ◆ Liberte a aba lateral e certifique-se de que o acessório fica encaixado antes de ligar o cortador de relva, como indicado na gravura da figura M.

Funcionamento

Atenção! Não altere o ritmo de funcionamento do cortador de relva. Não sobrecarregue.

Ajustar a altura do manipulador (fig. N)

- ◆ Abra as alavancas do acessório do manipulador inferior (6).
- ◆ Ajuste o manipulador de modo a que a seta (18) na base do cortador de relva fique alinhado com 1, 2, ou 3 na base do manipulador (19). Certifique-se de que o manipulador está regulado para o mesmo número em ambos os lados do cortador.
- ◆ Feche ambas as alavancas e certifique-se de que o manipulador está fechado com firmeza.

Ajustar a altura do cortador (fig. O)

A altura de corte é ajustada pela alavanca central de ajuste da altura de corte, existem 7 posições à escolha.

Nota: Se não tiver a certeza qual é a altura de corte que deve utilizar, comece a cortar a alavanca de ajuste da altura (7) na posição 7 e ajuste a altura para baixo conforme necessário, como indicado na figura O.

Para definir a altura de corte:

- ◆ Puxe a alavanca de ajuste de altura do cortador de relva para fora do entalhe de bloqueio.
- ◆ Desloque a alavanca para a parte de trás do aparelho para baixar a altura de corte.
- ◆ Desloque a alavanca para a parte da frente do aparelho para aumentar a altura de corte.
- ◆ Coloque a alavanca de ajuste da altura num dos 7 encaixes de bloqueio.

Chave de segurança

Atenção! Para evitar a activação acidental ou o uso não autorizado do cortador de relva sem fio, a ferramenta está equipada com uma chave de segurança amovível (29). Depois de retirar a chave de segurança do cortador de relva, é possível desactivar o cortador por completo.

Nota: A chave de segurança tem uma abertura no centro que permite guardá-la num prego preso na parede, fora do alcance das crianças. Não prenda a chave de segurança no cortador de relva.

- ◆ Insira a chave de segurança (29) na caixa do comutador até ficar totalmente fixada no interior da estrutura, como indicado na figura P. O cortador não é operacional.
- ◆ O cortador está equipado com uma caixa de comutação especial. Para utilizar o cortador, prima o botão (30) na caixa de comutação (1) e depois puxe a pega automotora (2) na direcção do punho, como indicado na figura Q.
- ◆ Para desligar o cortador de relva, basta libertar a pega automotora.

Atenção! Nunca tente bloquear um interruptor de ligação ou uma pega automotora na posição de ligado.

Nota: Quando a pega automotora voltar à posição original activará o "Mecanismo de travão automático". O motor é electricamente travado e a lâmina do cortador de relva parará a rotação em 3 segundos ou menos.

Sobrecarga do cortador de relva

Para evitar danos causados por sobrecarga, não retire demasiada relva de uma só vez. Diminua a velocidade de corte ou eleve a altura de corte.

EdgeMax™

O EdgeMax™ (13) permite cortar relva até ao limite de uma parede ou vedação (fig. R).

O EdgeMax™ permite cortar relva com precisão até ao limite do seu relvado (fig. R1).

- ◆ Com o cortador de relva paralelo com o limite do seu relvado, empurre-o ao longo do limite do relvado.

Certifique-se de que o EdgeMax™ fica ligeiramente sobre o limite do relvado (fig. R1).

Nota: Quando o acessório de descarga lateral está montado, o EdgeMax™ só pode ser utilizado no lado direito do cortador de relva.

Tecnologia Auto sense™

A tecnologia Auto sense™ determina a espessura e efectua as adaptações de potência em conformidade. Para relva mais grossa, os cortadores de relva activam a função de potência elevada, enquanto que com a relva mais fina, os cortadores diminuem a potência de saída para poupar a carga da bateria e prolongar o tempo de funcionamento

Armazenamento

Atenção! A lâmina rotacional pode causar lesões graves. Liberte a pega automotora (2) para desligar o cortador, retire a chave de segurança e remova a bateria antes de levantar, transportar ou armazenar o cortador. Guarde num local seco.

Atenção! Para evitar que os dedos fiquem entalados, mantenha-os afastados da área entre os manipuladores quando os dobrar.

Atenção! Certifique-se de que o cabo não fica esticado ou dobrado nas uniões dos manipuladores durante a dobragem. Isto pode causar danos no cabo.

O manipulador do cortador de relva pode ser facilmente dobrado para baixo para um armazenamento rápido e prático.

- ◆ Segurando no manipulador, abra-o, mas não retire as alavancas do acessório do manipulador inferior (6) e dobre o manipulador para a parte da frente do cortador de relva, como indicado na figura S.
- ◆ Abra, mas não retire, as alavancas do acessório do manipulador superior (5) e dobre o manipulador superior (3) de novo sobre o manipulador inferior (4) como indicado na figura T.
- ◆ O cortador deve ficar compacto, como mostrado na figura U.

Transportar o cortador

- ◆ O cortador pode ser transportado com os manipuladores de transporte (12) adequados, como mostrado na figura V. **NÃO** levante o cortador segurando o manipulador superior (3) ou o manipulador inferior (4).

Dicas de corte

Atenção! Inspeccione sempre a área onde o cortador de relva vai ser utilizado e remova todas as pedras, paus, cabos, ossos e outros detritos que poderão ser atirados pela lâmina em rotação.

Atenção! Corte ao longo dos socacos e nunca em sentido ascendente e descendente. Tenha muito cuidado quando mudar de direcção em declives. Não corte excessivamente

em declives acentuados. Mantenha sempre um bom apoio com os pés.

- ◆ Liberte a pega automotora para desligar o cortador de relva quando atravessar uma área com gravilha (dado que as pedras podem ser atiradas pela lâmina).
- ◆ Defina o cortador de relva para a altura de corte mais elevada quando cortar em solo duro ou em ervas altas. A remoção de demasiada relva de uma só vez poderá causar sobrecarga do motor, o que irá fazer com que pare. Consulte o guia de resolução de problemas.
- ◆ Se o saco de recolha de relva (8) for utilizado durante a época de crescimento rápido, a relva poderá obstruir a abertura de descarga. Liberte a pega automotora para desligar o cortador de relva e remova a chave de segurança. Remova a caixa de aparas e abane a relva de modo a que esta fique no fundo do saco. Limpe também qualquer relva ou detritos que poderão ficar comprimidos em volta da abertura de descarga. Volte a colocar a caixa de aparas.
- ◆ Se o cortador começar a vibrar de maneira anormal, liberte a pega automotora para desligar o cortador e remova a chave de segurança. Verifique de imediato qual é a causa. A vibração é um aviso de problemas. Não utilize o cortador de relva até ser efectuada uma verificação pela assistência técnica. Consulte o guia de resolução de problemas no manual.
- ◆ Liberte sempre a pega automotora para desligar o cortador de relva e remova a chave de segurança quando o deixar sem vigilância, mesmo que por um curto período de tempo.

Sugestões para uma utilização óptima:

- ◆ Diminua a velocidade em áreas nas quais a relva seja especialmente longa ou grossa.
- ◆ Evite cortar relva quando a relva estiver molhada, devido à chuva ou ao orvalho.
- ◆ Corte o relvado frequentemente, especialmente durante períodos de crescimento elevado.

Nota: É recomendável recarregar o cortador depois de o utilizar, para prolongar a duração da bateria. Um carregamento frequente não afecta a bateria e garante que fica totalmente carregada e pronta para a utilização seguinte. Se a bateria não ficar totalmente carregada, isso diminui a duração da bateria.

Retirar e instalar a lâmina

Atenção! Quando voltar a montar o sistema da lâmina, certifique-se de que cada peça é instalada de novo correctamente, como descrito abaixo.

A montagem incorrecta da lâmina ou de outras peças do sistema da lâmina pode causar ferimentos graves.

Atenção! Liberte a pega automotora para desligar o cortador, espere até a lâmina parar e remova a chave de segurança e a bateria.

- ◆ Corte um pedaço de madeira de 2x4 (31) (610 mm) para impedir que a lâmina rode durante a remoção do parafuso (32).
- ◆ Utilize luvas e protecção adequada para os olhos.
- ◆ Volte o cortador de lado sobre o solo. Tenha cuidado com as extremidades afiadas da lâmina. Posicione a madeira e desaperte o parafuso com uma chave de 1/2" (33), como indicado na figura W.
- ◆ Retire o parafuso e a anilha (34). Retire a lâmina (35) como indicado na figura X. A ventoinha (36) não deve ser retirada. Inspeccione todas as peças relativamente a danos e substitua-as caso tal seja necessário.
- ◆ A lâmina só pode ser instalada na ventoinha numa única direcção. Para voltar a montar, alinhe o furo em forma de D da lâmina com o lado em forma de D da ventoinha, certificando-se que a inscrição na lâmina fique virada para fora do cortador.
- ◆ Para apertar com firmeza, posicione o pedaço de madeira como indicado na figura Y para impedir o movimento da lâmina. Deslize o parafuso através da anilha e aperte o parafuso no respectivo local. Aperte com a chave.

Afiar a lâmina

Mantenha a lâmina afiada para obter o melhor desempenho do cortador de relva. Uma lâmina embotada não corta relva de forma limpa. Utilize protecção adequada para os olhos durante a remoção, afiação e instalação da lâmina. Certifique-se de que retira a chave de segurança e a bateria.

Afiar a lâmina duas vezes durante a época de corte é normalmente suficiente, sob circunstâncias normais. A areia faz com que a lâmina fique embotadapidamente. Se o relvado possuir um solo arenoso poderá ser necessária afiação mais frequente.

Nota: Substitua, de imediato, lâminas dobradas ou danificadas.

Durante a afiação da lâmina:

- ◆ Certifique-se de que a lâmina permanece equilibrada.
- ◆ Afie a lâmina no ângulo de corte original.
- ◆ Afie os gumes de corte em ambas as extremidades da lâmina, removendo quantidades de material iguais em ambas as extremidades.

Afiar a lâmina num torno (fig. Z)

- ◆ Antes de retirar a lâmina, certifique-se de que a pega automotora é libertada, a lâmina pára e que retira a chave de segurança e a bateria.
- ◆ Remova a lâmina do cortador de relva. Consulte as instruções sobre como remover e instalar a lâmina.
- ◆ Fixe a lâmina (35) num torno (38).

- ◆ Use protecção para olhos e luvas adequadas e tenha cuidado para não se cortar. Lime, cuidadosamente, as extremidades de corte da lâmina com uma lima fina (39) ou uma pedra de amolar, mantendo o ângulo da extremidade de corte original. Verifique o equilíbrio da lâmina. Consulte as instruções sobre como equilibrar a lâmina. Volte a instalar a lâmina no cortador e aperte-a com firmeza.

Equilibrar a lâmina (fig. Z1)

Verifique o equilíbrio da lâmina (35) colocando o furo central da lâmina sobre um prego ou uma chave de parafusos com uma haste redonda (40), fixada na horizontal num torno (38). Se uma das extremidades da lâmina rodar para baixo, lime a extremidade afiada da lâmina que pender para baixo. A lâmina está equilibrada correctamente quando nenhuma das extremidades pender.

Lubrificação

Não é necessária qualquer lubrificação. Não coloque óleo nas rodas. Estas possuem superfícies de plástico que não requerem lubrificação.

Limpeza

Liberte a pega automotora (2) para desligar o cortador, aguarde até a lâmina parar e depois remova a chave de segurança. Utilize apenas sabão neutro e um pano húmido para limpar o cortador. Limpe quaisquer aparas que possam ter ficado acumuladas na parte inferior da estrutura. Após várias utilizações, verifique todos os fixadores expostos relativamente ao aperto.

Prevenir a corrosão

Os fertilizantes e outros químicos de jardinagem contêm agentes que aceleram bastante a corrosão de metais. Se cortar em áreas nas quais tenham sido utilizados fertilizantes ou químicos, o cortador deve ser limpo imediatamente a seguir, da forma que se segue: Liberte a pega automotora (2) para desligar o cortador de relva e remova a chave de segurança e a bateria. Limpe todas as partes expostas com um pano húmido.

Manutenção

O seu aparelho/ferramenta com/sem fios BLACK+DECKER foi concebido para funcionar durante muito tempo, com um mínimo de manutenção. O funcionamento contínuo e satisfatório depende de uma manutenção adequada e limpeza regular da ferramenta/aparelho.

O seu carregador não necessita de manutenção para além da limpeza regular.

Atenção! Antes de proceder a qualquer acção de manutenção em ferramentas eléctricas com cabo/sem fios:

- ◆ Desligue o aparelho/ferramenta e retire a respectiva ficha da tomada.

- ◆ Ou deixe a bateria descarregar completamente se estiver incorporada e, em seguida, desligue-a.
- ◆ Desligue o carregador antes de o limpar. O seu carregador não necessita de manutenção para além da limpeza regular.
- ◆ Limpe regularmente as ranhuras de ventilação da ferramenta/aparelho e do carregador com uma escova suave ou um pano seco.
- ◆ Limpe regularmente o compartimento do motor com um pano húmido. Não utilize produtos de limpeza abrasivos ou à base de solvente.
- ◆ Utilize regularmente uma raspadeira para remover relva e sujidade da parte inferior da protecção.

Resolução de problemas

Se achar que o aparelho não está a funcionar correctamente, respeite as instruções apresentadas em seguida. Se não conseguir resolver o problema, contacte o agente local de reparação BLACK+DECKER.

Atenção! Antes de prosseguir, liberte a barra dos fardos para desligar o cortador, espere até a lâmina parar e remova a chave de segurança.

Problema	Possível solução
O cortador não funciona quando a pega automotora é activada.	Certifique-se de que a chave de segurança foi instalada e se encontra completamente encaixada e que o botão na caixa do comutador está a ser totalmente premida antes de puxar a pega automotora.
	Liberte a pega automotora para desligar o cortador. Remova a chave de segurança e a bateria, volte o cortador e certifique-se de que a lâmina gira livremente.
	A bateria foi completamente carregada? Ligue o carregador e espere que a luz verde acenda.
O motor pára durante o corte.	Liberte a pega automotora para desligar o cortador. Remova a chave de segurança e a bateria. Volte o cortador e certifique-se de que a lâmina se encontra livre para girar.
	Eleve a altura de corte das rodas para a posição mais elevada e ligue o cortador.
	Verifique se a cavidade da bateria se encontra isenta de detritos e correctamente ligada.
	A bateria foi completamente carregada? Prima o botão do estado de carga.
	Evite sobrecarregar o cortador. Diminua a velocidade de corte ou eleve a altura de corte.

Problema	Possível solução
O cortador funciona mas o desempenho de corte não é satisfatório ou não corta a totalidade do relvado.	A bateria foi completamente carregada? Prima o botão do estado de carga. Liberte a pega automotora para desligar o cortador. Remova a chave de segurança e a bateria. Volte o cortador ao contrário e verifique: <ul style="list-style-type: none"> ◆ A afiação da lâmina - mantenha a lâmina afiada. ◆ A estrutura e o cano de descarga relativamente a obstruções. O ajuste de altura das rodas poderá estar definido demasiado baixo para as condições da relva. Eleve a altura de corte.
É excessivamente difícil empurrar o cortador.	Liberte a pega automotora para desligar o cortador. Remova a chave de segurança e a bateria. Eleve a altura de corte para reduzir o efeito de arrastamento da estrutura na relva. Verifique se todas as rodas giram livremente.
O cortador emite ruído e vibração anormais.	Liberte a pega automotora para desligar o cortador. Remova a chave de segurança e a bateria. Coloque o cortador de lado e verifique a lâmina de modo a certificar-se de que não está dobrada ou danificada. Se a lâmina se encontrar danificada, substitua-a por uma lâmina de substituição da BLACK+DECKER. Se a parte inferior da estrutura se encontrar danificada, leve-o a um centro de assistência autorizado da BLACK+DECKER. Se não existirem danos visíveis na lâmina e o cortador continuar a vibrar: <ul style="list-style-type: none"> ◆ Liberte a pega automotora para desligar o cortador. ◆ Remova a chave de segurança e a bateria. ◆ Desmonte toda a lâmina, como descrito na secção "Retirar e instalar a lâmina". ◆ Retire todos os resíduos e limpe cada peça. ◆ Volte a montar todas as peças, como descrito na secção "Retirar e instalar a lâmina". Se o cortador continuar a vibrar, leve-o a um centro de assistência autorizado da BLACK+DECKER.
Os LED do carregador não acendem.	Verifique se a ficha está ligada. Volte a ligar o carregador.
O cortador não aspira aparas com o saco.	Cano obstruído. Liberte a pega automotora para desligar o cortador. Remova a chave de segurança e a bateria. Elimine as aparas de relva no cano. Eleve a altura de corte das rodas para diminuir o comprimento do corte. Saco cheio. Esvazie o saco com maior frequência.

Protecção do ambiente



Faça uma recolha de lixo selectiva. Os produtos e baterias assinalados com este símbolo não devem ser eliminados em conjunto com resíduos domésticos normais.

Os produtos e baterias contêm materiais que podem ser recuperados ou reciclados, reduzindo a necessidade de matérias-primas. Recicle os produtos eléctricos e as baterias de acordo com as disposições locais. Estão disponíveis mais informações em www.2helpU.com

Dados técnicos

CLMA4825L2 H1		
Voltagem de Entrada	V _{CC}	36V
Velocidade sem carga	min. ⁻¹	2900
Peso	kg	peso líquido 21,24 KG, peso bruto 25,95 KG
Bateria		BL2536
Tensão	V _{CC}	36
Capacidade	Ah	2.5
Tipo		lões de lítio
Carregador		90616337-xx
Voltagem de Entrada	V _{AC}	230
Voltagem de Saída	V _{CC}	36
Corrente	mA	1300
Tempo de carga aprox.	min.	110

Vibração medida da mão/do braço:
= < 0,5 m/s², imprecisão (K) = 1,5 m/s².

L_{PA} (pressão acústica) 75 dB(A)
imprecisão (K) = 3 dB(A)

**Declaração de conformidade CE
DIRECTIVA "MÁQUINAS"
DIRECTIVA SOBRE RÚIDO EXTERIOR**



Cortador de relva com a tecnologia Autosense CLMA4825L2

A Black & Decker declara que os produtos descritos nos "dados técnicos" estão em conformidade com: EN60335-1:2012+A11:2014+A13:2017, EN60335-2-77:2010

2000/14/CE, Cortador de Relva, L < 50cm, Anexo VI,

DEKRA Certification B.V. Meander 1051 / P.O. Box 5185
6825 MJ ARNHEM / 6802 ED ARNHEM, Holanda, N.º de ID do Organismo Notificado: 0344

Nível de potência acústica de acordo com a norma 2000/14/CE
(Artigo 12, Anexo III, L ≤ 50 cm):
L_{WA} (potência acústica medida) 89 dB(A)
imprecisão (K) = 3 dB(A)
L_{WA} (potência sonora garantida) 96 dB(A)

Estes produtos estão também em conformidade com as Directivas 2006/42/CE, 2014/30/UE e 2011/65/UE.

Para mais informações, contacte a Black & Decker no endereço indicado em seguida ou consulte o verso do manual.

O signatário é responsável pela compilação do ficheiro técnico e efectua esta declaração em nome da Black & Decker.

R. Laverick
Director de Engenharia
Black & Decker Europe, 210 Bath Road, Slough,
Berkshire, SL1 3YD
Reino Unido
18/12/2018

Garantia

A Black & Decker confia na qualidade dos seus produtos e oferece aos clientes uma garantia de 24 meses a partir da data de compra. Esta garantia é um complemento dos seus direitos estabelecidos por lei, não os prejudicando de forma alguma. A garantia é válida nos Estados-membros da União Europeia e nos países-membros da Zona Europeia de Comércio Livre.

Para accionar a garantia, esta deve estar em conformidade com os termos e condições da Black&Decker e terá de apresentar comprovativos de compra ao vendedor ou a um agente de reparação autorizado. Os termos e condições da garantia de 2 anos da Black&Decker e a localização do agente de reparação autorizado mais próximo pode ser obtido na Internet em www.2helpU.com ou contactando uma filial da Black & Decker, cuja morada está indicada neste manual.

Visite o nosso Website www.blackanddecker.co.uk para registar o novo produto Black & Decker e manter-se actualizado relativamente a novos produtos e ofertas especiais. www.2helpU.com

Avsedd användning

Din BLACK+DECKER CLMA4825L2 Autosense gräsklippare har designats för gräsklippning. Denna apparat är endast avsedd för konsumentbruk.

Säkerhetsinstruktioner

Varning! Vid användning av sladdlösa apparater ska grundläggande säkerhetsanvisningar, inklusive nedanstående, alltid följas. Detta för att minska risken för brand, elektriska stötar, person- och materialskador.

Varning! Vid användning av maskinen ska säkerhetsföreskrifterna följas. För din egen och närvarande personers säkerhet bör du läsa dessa instruktioner innan du använder maskinen. Spara instruktionerna för senare bruk.

- ◆ Läs hela den här bruksanvisningen noga innan du börjar använda apparaten.
- ◆ Avsedd användning beskrivs i denna bruksanvisning. Använd inte apparaten med andra tillbehör än de som rekommenderas i den här bruksanvisningen och inte heller till andra användningsområden eftersom det kan leda till personskador.
- ◆ Spara den här bruksanvisningen för framtida bruk.

Använda apparaten

Var alltid försiktig när du använder apparaten.

- ◆ Denna apparat är inte avsedd att användas av unga eller oerfarna personer utan övervakning.
- ◆ Apparaten ska inte användas som lek-sak.

- ◆ Låt inte barn eller djur komma i närheten av arbetsområdet eller vidröra apparaten eller nätsladden.
- ◆ Om det finns barn i närheten när du använder apparaten ska du övervaka dem noga.
- ◆ Använd den endast på en torr plats. Skydda apparaten från väta.
- ◆ Doppa aldrig apparaten i vatten.
- ◆ Öppna inte höljet. Det finns inga servicebara delar på insidan.
- ◆ För att undvika explosionsrisk bör du inte använda apparaten i omgivningar med brandfarliga vätskor, gaser eller damm.
- ◆ Dra aldrig i sladden när du vill ta ut kontakten ur uttaget. Detta för att minska risken för skador på kontakter och sladdar.

Efter användning

- ◆ När den inte används ska apparaten förvaras på en torr plats med god ventilation och utom räckhåll för barn.
- ◆ Barn ska inte ha tillgång till apparater under förvaring.
- ◆ När apparaten förvaras eller transporteras i en bil ska det placeras i bagageutrymmet eller spännas fast så att det inte rör sig vid plötsliga ändringar av hastighet eller riktning.

Kontroll och reparationer

- ◆ Kontrollera att apparaten är helt och att inga delar är skadade innan du använder den. Kontrollera att inga delar är trasiga, att strömbrytaren

fungerar och att inget annat föreligger som kan påverka redskapets funktion.

- ◆ Använd inte apparaten om någon del har skadats eller gått sönder.
- ◆ Låt en auktoriserad verkstad reparera eller byta ut skadade eller trasiga delar.
- ◆ Försök aldrig avlägsna eller byta ut andra delar än de som anges i den här bruksanvisningen.
- ◆ Var försiktig när du justerar gräsklipparen så att inte fingrarna fastnar mellan knivar/delar som rör sig och maskinens fasta delar.
- ◆ När du reparerar knivarna får du inte glömma bort att knivarna fortfarande kan röras på även om strömmen är avstängd.

Ytterligare säkerhetsanvisningar för gräsklippare

- ◆ Håll gräsklipparen i ett stadigt grepp med båda händerna vid användning.
- ◆ Om du någon gång behöver luta gräsklipparen ska du ha båda händerna i rätt läge för användning när gräsklipparen lutas. Håll båda händerna i rätt läge för användning tills gräsklipparen åter står på marken.
- ◆ Lyssna aldrig på radio eller musik i hörlurar när du använder gräsklipparen.
- ◆ Försök aldrig justera hjulhöjden medan motorn är igång eller när säkerhetsnyckeln sitter på sin plats.
- ◆ Om gräsklipparen kör fast ska du släppa säkerhetsbygeln för att stänga av den och vänta tills kniven stannat.

Ta sedan ur säkerhetsnyckeln innan du rensar utkastaren eller tar bort någonting från maskinens undersida.

- ◆ Håll händerna och fötterna borta från knivområdet.
- ◆ Håll knivarna vassa. Använd alltid skyddshandskar när du hanterar gräsklipparens kniv.
- ◆ Om du använder gräsuppsamlaren bör du regelbundet kontrollera att den inte är utsliten eller har skadats. Om den är alltför sliten bör du för din egen säkerhet byta ut gräsuppsamlaren mot en ny.
- ◆ Var extra försiktig när du backar eller drar gräsklipparen mot dig.
- ◆ Ha inte händer eller fötter i närheten av eller under gräsklipparen. Stå aldrig framför utmatningsöppningarna.
- ◆ Rensa området där gräsklipparen ska användas från stenar, grenar, ledningar, leksaker, ben osv. eftersom de kan kastas iväg av knivarna. Föremål som träffas av knivarna kan orsaka allvarliga personskador. Stanna bakom handtaget när motorn är igång.
- ◆ Var inte barfota och bär inte sandaler när du använder gräsklipparen. Bär alltid kraftiga skor.
- ◆ Dra inte gräsklipparen baklänges om det inte är absolut nödvändigt. Titta alltid nedåt och bakåt innan och medan du drar gräsklipparen baklänges.
- ◆ Rikta aldrig utmatningen mot någon annan. Undvik utmatning mot en vägg eller ett hinder. Material kan studsas tillbaka mot användaren. Släpp säkerhetsbygeln för att stänga av gräsklipparen och låt kniven stanna innan

du korsar grusområden. Använd inte gräsklipparen om inte gräsuppsamlare, utkastarskydd, bakre skydd och andra säkerhetsanordningarna är monterade och fungerar. Kontrollera alla skydd och säkerhetsanordningarna regelbundet för att säkerställa att de är hela och fungerar som de ska. Byt ut skadade skydd och säkerhetsanordningar innan fortsatt användning.

- ◆ Lämna aldrig gräsklipparen obebakad när den är igång. Ha alltid för vana att ta ur säkerhetsnyckeln när du lämnar gräsklipparen obebakad.
- ◆ Släpp alltid säkerhetsbygeln för att stoppa motorn och vänta tills kniven har stannat helt. Ta sedan ur säkerhetsnyckeln innan gräsklipparen rengörs, gräsbehållaren tas bort, utkastarskyddet rensas, gräsklipparen lämnas obebakad eller justeringar, reparationer eller kontroller utförs.
- ◆ Använd bara gräsklipparen i dagsljus eller i bra artificiell belysning när föremål inom knivarnas skär område är väl synliga för den som kör gräsklipparen.
- ◆ Använd inte gräsklipparen när du är påverkad av alkohol eller droger eller när du är trött eller sjuk. Var alltid uppmärksam, titta på vad du gör och använd vanligt sunt förnuft.
- ◆ Undvik farliga miljöer. Använd aldrig gräsklipparen i fuktigt eller vått gräs och använd den aldrig när det regnar. Se alltid att alltid ha bra fotfäste. Gå alltid, spring aldrig.
- ◆ Om gräsklipparen börjar vibrera på ett onormalt sätt ska du släppa

säkerhetsbygeln, vänta tills kniven har stannat och ta ur säkerhetsnyckeln. Kontrollera sedan genast orsaken till problemet. Vibrationer innebär oftast problem. Titta i felsökningsguiden för råd vid onormala vibrationer.

- ◆ Bär alltid skyddsglasögon och munskydd när du använder gräsklipparen.
- ◆ Det kan vara farligt att använda tillbehör som inte är rekommenderade för användning med den här gräsklipparen. Använd enbart tillbehör godkända av BLACK+DECKER.
- ◆ Sträck dig inte för långt när du använder gräsklipparen. Se till att du alltid har säkert fotfäste och god balans när du använder gräsklipparen.
- ◆ Arbeta tvärs över slutningar, inte upp och ner. Var mycket försiktig när du byter riktning vid arbete på slutningar.
- ◆ Se upp för håll, hjulspår, gupp, stenar eller andra dolda föremål. Ojämn terräng kan orsaka halk- och fallskador. Långt gräs kan dölja hinder.
- ◆ Klipp inte i vått gräs eller mycket branta slutningar. Dåligt fotfäste kan orsaka halk- och fallskador.
- ◆ Klipp inte i närheten av branter, diken eller slutningar. Du kan tappa fotfästet eller balansen.
- ◆ Låt alltid gräsklipparen svalna innan du ställer undan den.

Andras säkerhet

- ◆ Denna apparat kan användas av barn från 8 år och personer med nedsatt fysisk eller psykisk förmåga eller bristande erfarenhet eller kunskap, om de

övervakas eller får instruktioner om hur apparaten används och är medvetna om riskerna.

- ◆ Barn ska inte leka med apparaten. Rengöring och användarunderhåll ska inte utföras av barn utan övervakning.

Övriga risker

Ytterligare risker som inte finns med i de bifogade säkerhetsanvisningarna kan uppstå när verktyget används. Dessa risker kan uppstå vid felaktig eller långvarig användning, etc.

Även om alla relevanta säkerhetsanvisningar följs och säkerhetsanordningar används kan vissa risker inte undvikas. Dessa omfattar:

- ◆ Skador orsakade av att roterande/rörliga delar vidrörs.
- ◆ Skador som uppstår vid byte av delar, blad eller tillbehör.
- ◆ Skador som orsakas av långvarig användning av ett verktyg. Se till att regelbundet ta vilopausar när du använder ett verktyg under en längre period.
- ◆ Hörselnedsättning.
- ◆ Hälsorisker orsakade av inandning av damm när redskapet används (exempel: arbete med trä, särskilt ek, bok och MDF.)

Varningssymboler

Följande varningssymboler finns på redskapet, tillsammans med datumkoden:



Varning! Läs bruksanvisningen innan användning.



Utsätt inte apparaten för regn eller hög luftfuktighet.



Tänk på att knivarna är vassa. Kniven fortsätter att rotera en kort stund efter att du har stängt av maskinen. Ta alltid ur säkerhetsnyckeln innan gräsklipparen rengörs, gräsbehållaren tas bort, utkastarskyddet rensas, gräsklipparen lämnas obebakad eller innan justeringar, reparationer eller kontroller utförs.



Se upp för flygande föremål. Håll andra personer borta från arbetsområdet.



Bär skyddsglasögon



Garanterad ljudnivå enligt direktiv 2000/14/EG.

Ytterligare säkerhetsinstruktioner för batterier och laddare

Batterier

- ◆ Försök aldrig öppna batteriet.
- ◆ Utsätt inte batteriet för vatten.
- ◆ Utsätt inte batteriet för värme.
- ◆ Förvara inte apparaten på platser där temperaturen kan bli högre än 40 °C.
- ◆ Ladda endast vid temperaturer mellan 10 °C och 40 °C.
- ◆ Ladda endast med hjälp av laddaren som medföljer apparaten/verktyget. Användning av fel laddare kan

resultera i en elektrisk stöt eller att batteriet överhettas.

- ◆ Följ instruktionerna som anges i avsnittet "skydda miljön" när du kastar batterierna".
- ◆ Skydda batteriet från skador/deformationer i form av slag och stötar eftersom det kan leda till personskador eller eldsvåda.
- ◆ Ladda inte skadade batterier.
- ◆ Under extrema förhållanden kan batterierna läcka. Om det finns vätska på batterierna ska du torka bort vätskan försiktigt med en trasa. Undvik hudkontakt.
- ◆ Följ instruktionerna nedan vid kontakt med hud eller ögon.

Varning! Batterivätskan kan orsaka person- eller materialskador. Vid hudkontakt, skölj genast med vatten. Vid rodnader, smärta eller irritation ska läkare uppsökas. Vid kontakt med ögon, skölj genast med rent vatten och uppsök läkare.



Försök inte ladda skadade batterier.

Laddare

Laddaren är avsedd för en viss spänning. Kontrollera alltid att nätspänningen överensstämmer med värdet på typskylten.

Varning! Försök aldrig byta ut kontakten till laddaren mot en vanlig kontakt.

- ◆ Använd laddaren från BLACK+DECKER endast för att ladda batteriet i den/det apparat/verktyg som laddaren levererades med. Andra batterier kan spricka och orsaka personskador och andra skador.

- ◆ Försök aldrig ladda batterier som inte är uppladdningsbara.
- ◆ Om nätsladden är skadad måste den bytas ut av tillverkaren eller en auktoriserad BLACK+DECKER-verkstad för att undvika fara.
- ◆ Utsätt inte laddaren för vatten.
- ◆ Öppna inte laddaren.
- ◆ Gör ingen åverkan på laddaren.
- ◆ Redskapet/verktyget/batteriet ska placeras på en plats med god ventilation vid laddning.



Laddaren är endast avsedd för användning inomhus.



Läs bruksanvisningen före användning.

Elsäkerhet



Eftersom laddaren är dubbelisolerad behövs ingen jordledare. Kontrollera alltid att nätspänningen överensstämmer med värdet på typskylten. Försök aldrig byta ut kontakten till laddaren mot en vanlig kontakt.

- ◆ Om nätsladden är skadad måste den bytas ut av tillverkaren eller en auktoriserad BLACK+DECKER-verkstad för att undvika fara.

Ladda batteriet (bild A)

Batteriet måste laddas innan det används för första gången samt varje gång det inte ger tillräckligt hög effekt för arbeten som tidigare klarades av. Batteriet kan bli varmt när det laddas. Det är normalt och innebär inte att något är fel.

Varning! Ladda inte batteriet om temperaturen i luften är lägre än 10 °C eller högre än 40 °C. Den rekommenderade laddningstemperaturen är cirka 24 °C.

Notera: Laddaren laddar inte batteriet om celltemperaturen är lägre än ungefär 10 °C eller högre än 40 °C. Batteriet får då sitta kvar i laddaren, som kommer att börja laddningen automatiskt när celltemperaturen har stigit eller sjunkit.

- ◆ Koppla in laddaren i lämpligt uttag innan batteripaketet sätts i.
- ◆ Sätt i batteripaketet i laddaren.



Den gröna LED kommer att blinka, vilket visar att batteriet laddas.



Slutförandet av laddningstillstånd indikeras med den gröna lysdioden kontinuerligt återstår. Förpackningen är fulladdad och kan användas vid denna tidpunkt eller vänster i lasten

Varning! Ladda urladdade batterier så snart som möjligt efter användning, i annat fall kan batterilivslängden minska betydligt.

Laddardiagnostik

Denna laddare är designad att upptäcka vissa problem som kan uppstå med batteripaketet eller strömkällan. Problemen indikeras av en LED-blinkning i olika mönster.

Dåligt batteri



Laddaren kan upptäcka ett svagt eller skadat batteri. Den röda LED blinkar i mönstret som anges på etiketten. Om du ser detta blinkmönster för dåligt batteri, fortsätt då inte att ladda batteriet. Returnera det till ett servicecenter eller lämna det till batteriinsamlingen

Varm/kall fördröjning



När laddaren upptäcker ett batteri som är överdrivet hett eller överdrivet kallt, kommer den automatiskt att starta en varm/kall fördröjning och avbryta laddningen tills batteriet har nått en lämplig temperatur. När detta sker växlar laddaren automatiskt till paketladdningsläget. Denna funktion garanterar maximal batterilivslängd. Den röda LED blinkar i mönstret som anges på etiketten när den heta/kalla paketfördröjningen upptäcks.

Lämna batteriet i laddaren

Batteriet kan sitta kvar i laddaren och laddaren kan vara avsluten till vägguttaget hur länge som helst när indikatorn lyser. Laddaren ser till att batteriet hålls fräscht och fulladdat.

Funktioner

Det här redskapet har några eller samtliga av följande funktioner.

1. Kopplingsdosa
2. Säkerhetsbygel
3. Övre handtag
4. Nedre handtag
5. Övre handtag fästhävarm (2)
6. Nedre handtag fästhävarm (2)
7. Inställningshävarm klipphöjd
8. Gräsupsamlare
9. Lucka bakre öppning
10. Batteriuttag
11. Förvaringsutrymme för batteri
12. Bärhandtag
13. EdgeMax™

Montera och ta bort batteriet (fig. B - C)

- ◆ tryck på batteriuttagets låsknapp (14) och dra batteriuttagets lucka (15) uppåt för att visa batteriuttaget (10) såsom visas i figur B.
- ◆ Skjut batteriet (16) in i batteriuttaget tills det sitter helt fast och ett ljudligt klick hörs (figur C). Se till att batteripaketet sitter helt på plats och är låst i positionen.
- ◆ Stäng luckan till batteriuttaget. Se till att locket är helt fastsatt innan gräsklipparen startas.

Ta bort batteripaketet (fig D)

- ◆ Öppna batteriuttagets lucka (15).
- ◆ Tryck ned batteriets låsknapp (17) som är placerad på batteripaketet och dra ut batteripaketet från verktyget såsom visas i figur D.

Batteriförvaring

Ett extra batteri kan förvaras i batteriförvaringsfacket (11).

- ◆ Lyft förvaringsfackets lock och skjut in batteriet i facket såsom visas i figur E. Batteriet i detta fack kommer inte att aktivera gräsklipparen.
- ◆ Fäst snabbblåsklämmorna för övre handtaget (7) genom det nedre handtaget i klämmuttrarna (20). Skruva i skruven till snabbblåsklämmorna för övre handtaget halvvägs, stäng Isnabbblåsklämmorna (fig.G). Om anslutningen mellan handtaget och snabbblåsklämmorna är för hård eller för lös, justerar du djupet för snabbblåsklämmorna och stänger dem igen tills tänderna är helt stängda.

Montering

Varning! Se till att verktyget är avstängt och att säkerhetsnyckeln och batteriet har tagits ur innan montering.

Sätta fast nedre handtaget (fig. F)

- ◆ lyft nedre handtaget (4) på plast och se till att pilen (18) på basen av gräsklipparen är i linje med 1, 2 eller 3 på basen på handtaget (19) (insatt i figur F).

Notera! Se till att varje sida av de nedre handtagen är inställda på samma nummer. Pilen måste vara i linje med 1, 2 eller 3 för drift.

- ◆ Stäng handtagets höjinställningshävarm (7) såsom visas i figur F. När du stänger var och en, se till att tänderna aktiveras såsom visas i figur G.

- ◆ Om anslutningen mellan handtaget och spaken är för tight, öppna hävarmen och ställ in djupet genom att vrida på spaken. Stäng den igen tills tänderna spänner fast och varje spak är säkert stängd.

Fästa övre handtaget (fig. H)

- ◆ Ta bort det övre handtaget hävarmen (5), muttrar (20) och brickor (21) från handtaget.

- ◆ Rikta in hålen på undersidan av övre handtaget (3) mot hålen på ovasidan av det nedre handtaget (4).

Notera: Se till att sladden är placerad framför båda handtagen. Om inte kan det resultera i sladdtrassel och svårigheter att enkelt förvara gräsklipparen (fig. I)

- ◆ Från utsidan av det övre handtaget (3), skjut spakbulten mot hålen.
- ◆ Skjut brickan över bulten på hävarmen och lossa monteringen för hela monteringen med muttern.
- ◆ Vrid sidohandtaget till dess driftläge.
- ◆ Stäng spaken. Om det är för tight eller för löst, öppna hävarmen och muttern för att ställa in fastspänningen. Kontrollera hävarmen genom att stänga dessa. De skall vara tillräckligt tight så att handtagen hålls fast men tillräckligt löst så att hävarmen kan stängas. Ställ in öppningen för hävarmen genom att vrida på muttern tills handtaget sitter fast.

Fästa motorkabeln (fig. J)

Varning: Fäst kabeln så att den inte sträcks eller kläms i fästpunkterna för handtaget under användning eller ihopvikning. Det kan göra att sladden skadas.

Motorkabeln (22) måste fästas i handtagen med kabelbanden (23) som redan sitter på handtaget för att fästa kabeln till handtaget:

- ◆ Placera handtaget i driftläge, se sektionen "Fästa nedre handtaget".
- ◆ Kör upp kabel framför det nedre och över handtaget.
- ◆ dra tillbaka kabelbandet.

- ◆ Skjut motorkabeln under fästet och se till att det hålls på plats av bandet.

Uppsamling

- ◆ Se till att utkastarfästet (27) (fig. M) och mullinsatsen (26) (fig. L) är borttagna från gräsklipparen innan uppsamling.
- ◆ Lyft den bakre luckan (9) och sätt dit gräsuppsamlaren (8) på gräsklipparen så att bagkrokarna (24) vilar på tapparna (25) såsom visas i figur K. Sänk sedan ned den bakre luckan.

Mullning

- ◆ Se till att sidoutkastet (27) och uppsamlaren (8) inte är ditsatt.
- ◆ Lyft den bakre luckan (9) och skjut mullinsatsen (26) helt upp på gräsklipparen såsom visas i figur L.
- ◆ se till att den bakre luckan helt stänger innan gräsklipparen slås på.

Sidoutkast

- ◆ Se till att uppsamlaren (8) är borttagen.
- ◆ Lyft den bakre klaffen (9) och skjut mullinsatsen (26) helt upp på gräsklipparen såsom visas i figur L.
- ◆ Lyft den bakre klaffen (28) och haka fast utkastartillsatsen (27) på gräsklipparen såsom visas i figur M.
- ◆ Släpp sidoklaffen och se till att tillsatsen hålls på plats innan gräsklipparen slås på såsom visas i figur M.

Drift

Varning! Låt gräsklipparen arbeta i sin egen takt. Överbelasta inte.

Inställning av handtagshöjd (fig. N)

- ◆ Öppna båda nedre handtagens fästhävarmar (6).
- ◆ Ställ in handtaget så att pilen (18) på basen på gräsklipparen är i linje med 1, 2 eller 3 på basen av handtaget (19). se till att handtaget är inställt på samma nummer på båda sidor av gräsklipparen.
- ◆ Stäng båda hävarmarna och se till att handtaget har hakat fast.

Inställning av gräsklipparehöjd (fig. O)

Klipphöjden justeras genom den centrala höjdställningshävarmen. Det finns sju lägen att välja mellan.

Notera: Om du är osäker på vilken höjd du skall klippa på, börja klippa med hävarmen för höjdställning (7) i läge 7 och sänk höjden om så behövs, såsom visas i figur O.

Så här ställer du in klipphöjden:

- ◆ Dra ut gräsklipparens hävarm för höjdställning från låsspåren.
- ◆ Flytta hävarmen mot apparaten baksida för att minska klipphöjden.

- ◆ Flytta spaken mot apparaten framsida för att öka klipphöjden.
- ◆ Skjut inställningshävarmen för höjden in i ett av de sju låsspåren.

Säkerhetsnyckel

Varning! För att förhindra oavsiktlig start eller obehörig användning av gräsklipparen finns en löstagbar säkerhetsnyckel (29) inmonterad i designen av gräsklipparen.

Gräsklipparen kommer att vara helt avaktiverad när säkerhetsnyckeln har tagits bort från gräsklipparen.

Notera: Säkerhetsnyckel har ett hål i mitten för att kunna förvara den på en spik utom räckhåll för barn. Fäst inte fast säkerhetsnyckeln på gräsklipparen.

- ◆ Sätt i säkerhetsnyckeln (29) i nyckelöppningen tills den sitter helt inuti höjjet såsom visas i figur P. Gräsklipparen är nu klar att tas i bruk.
- ◆ Denna gräsklipparen är utrustad med en special på-av omkopplingsbox. För att köra gräsklipparen, tryck på knappen (30) på omkopplingsboxen (1), dra sedan säkerhetsbygeln (2) till styrhandtaget såsom visas i figur Q.
- ◆ För att stänga av gräsklipparen, släpp bara säkerhetsbygeln.

Varning! Försök aldrig låsa eller fixera strömbrytaren eller säkerhetsbygeln i påslaget läge.

Notera: När säkerhetsbygeln har återvänt till ursprungsläget aktiveras den automatiska bromsmekanismen. Motorn bromsas elektriskt och gräsklipparens kniv slutar rotera på 3 sekunder eller snabbare.

Överbelastning av motorn

För att förhindra skador på grund av överbelastning, försök att inte flytta för mycket gräs på en gång. Sänk klippastigheten eller öka klipphöjden.

EdgeMax™

EdgeMax™ (13) gör att du kan klippa gräs ända fram till en vägg eller ett staket (fig. R).

EdgeMax™ gör att du kan noggrant klippa gräs ända fram till slutet av gräsmattan (fig. R1).

- ◆ Med gräsklipparen parallellt med kanten på gräsmattan, skjut gräsklipparen längs med kanten på gräsmattan, se till att EdgeMax™ är något över kanten på gräsmattan (fig. R1).

Notera: När sidoutkastet är fäst kan EdgeMax™ endast användas på höger sida av gräsklipparen.

Auto sense™ teknologi

Auto sense™ teknologi avgör tjockleken på gräset och gör effektiv justeringar därefter. För tjockare gräs klickar gräsklipparen igång högre effekt medan vid lättare gräs sänker gräsklipparen effekten för att spara på batteriet och öka körtiden

Vibrationer är vanligtvis ett tecken på problem. Använd inte gräsklipparen förrän den genomgått en servicekontroll. Använd felsökningsguiden i bruksanvisningen.

- ◆ Släpp alltid säkerhetsbygeln för att stanna gräsklipparen och ta därefter ur säkerhetsnyckeln även om du bara lämnar den oövervakad under en kort tid.

Tips för optimal användning:

- ◆ Kör långsammare i områden där gräset är extra högt eller tjockt.
- ◆ Undvik att klippa när gräset är vått från regn eller fuktigt.
- ◆ Klipp din gräsmatta ofta, särskilt när den växer mycket.

Notera: Det rekommenderas att ladda gräsklipparen efter användningen för att förlänga batteriets livslängd. Regelbunden laddning kommer inte att skada batteriet och ser till att batteriet är fulladdat och klart för nästa användning. Förvaring av batterier som inte är fulladdat kommer att förkorta dess livslängd.

Borttagning och installation av knivar

Varning! Vid återmontering av knivsystemet, se till att varje del återinstalleras korrekt såsom beskrivs nedan.

Felaktig montering av kniven eller andra delar i knivsystemet kan orsaka allvarliga skador.

Varning! Släpp säkerhetsbygeln för att stänga av gräsklipparen, vänta tills kniven stannat och ta därefter ur säkerhetsnyckeln och batteripaketet.

- ◆ Skär till en bit 2x4 trä (31) (omkring 610 mm lång) för att förhindra att knivarna roterar när bulten tas bort (32).

- ◆ Använd handskar och ordentligt skydd för ögonen.

- ◆ Lägg gräsklipparen på sidan. Akta dig för knivens vassa kanter. Placera träbiten och skruva loss bulten med 1/2 tum skruvnyckel (33) såsom visas i figur W.

- ◆ Ta bort bulten och brickan (34). dra bort kniven (35) såsom visas i figur X. Fläkten (36) skall inte tas bort. Kontrollera alla delar och byt om det behövs.

- ◆ Kniven kan endast fästas på fläkten åt ett håll. För att återmontera, rikta in det d-formade hålet på kniven mot den d-formade posten på fläkten, se till att texten på kniven är riktad ut från gräsklipparen.

- ◆ Dra åt ordentligt, placera träbiten såsom visas i figur Y för att förhindra att kniven roterar. Glid bulten genom brickan och skruva bulten på plats. Dra åt med skruvnyckeln.

Slipa kniven

För bästa prestanda bör du se till att kniven alltid är vass. En slö kniv varken klipper eller finfördelar gräset ordentligt. Se till att skydda ögonen ordentligt när du tar bort, slipar eller monterar en kniv. Se till att säkerhetsnyckeln och batteriet är borttagna.

Under normala förhållanden räcker det att slipa kniven två gånger under en klippsäsong. Sand gör att kniven snabbt blir slö. Om din gräsmatta växer i sandjord kan du behöva slipa knivarna oftare.

Förvaring

Varning! Den roterande kniven kan orsaka allvarliga skador. Släpp säkerhetsbygeln (2) för att stänga av gräsklipparen och ta ur säkerhetsnyckeln innan gräsklipparen lyfts, transporteras eller förvaras. Förvara gräsklipparen på ett torrt ställe.

Varning! För att undvika att klämmas skall fingrarna hållas borta från området runt handtagen när handtagen viks ihop.

Varning! Se till att kabeln inte sträcks eller kläms i fästpunkterna för handtaget under användning eller ihopvikning. Det kan göra att sladden skadas.

Handtaget på gräsklipparen kan lätt vikas ned för snabb och bekväm förvaring.

- ◆ Håll i handtaget, öppna men ta inte bort det nedre handtagets fästhävarmar (6) och vik handtaget mot fronten på gräsklipparen såsom visas i figur S.
- ◆ Öppna, men ta inte bort den över handtagets försthävarm (5) och vik det över handtaget (3) tillbaka över det nedre handtaget (4) såsom visas i figur T.
- ◆ Gräsklipparen skall bli kompakt nedpackad såsom visas i figur U.

Bära gräsklipparen

- ◆ Gräsklipparen kan bäras med bärhandtagen (12) såsom visas i figur V. Försök **INTE** att lyfta gräsklipparen genom att ta tag i det övre handtaget (3) eller det nedre handtaget (4).

Tips vid klippning

Varning! Inspektera alltid området där gräsklipparen ska användas och rensa bort alla stenar, grenar, ledningar, ben o.s.v. eftersom de kan kastas iväg av gräsklipparen.

Varning! Arbeta tvärs över sluttningar, inte upp och ned. Var mycket försiktig när du byter riktning vid arbete på sluttningar. Använd inte gräsklipparen i branta sluttningar. Se till att alltid ha bra fotfäste.

- ◆ Släpp säkerhetsbygeln för att stänga av gräsklipparen när du korsar grusområden (den roterande kniven kan slunga iväg stenar).
- ◆ Ställ gräsklipparen på högsta klipphöjden när du klipper på ojämn mark eller i högt gräs. Om gräsklipparen klipper för mycket gräs på en gång kan motorn överbelastas och stannar. Använd felsökningsguiden.
- ◆ Om gräsbehållaren (8) används under den snabbväxande säsongen kan gräset komma att täppa igen utkastaröppningen. Släpp säkerhetsbygeln för att stanna gräsklipparen och ta därefter ur säkerhetsnyckeln. Ta bort gräsuppsamlaren och skaka tills gräset hamnar längst bak i behållaren. Rensa bort eventuellt gräs eller skräp som samlats runt utkastaröppningen. Sätt tillbaka gräsuppsamlaren.
- ◆ Om gräsklipparen börjar vibrera onormalt, släpp säkerhetsbygeln för att stänga av gräsklipparen och ta bort säkerhetsnyckeln. Kontrollera orsaken omedelbart.

Notera: Byt ut böjda eller skadade knivar omedelbart.

Vid slipning av kniven:

- ◆ Kontrollera att kniven förblir balanserad.
- ◆ Slipa kniven med den ursprungliga klippningsvinkeln.
- ◆ Slipa skärkanterna i båda ändar av kniven och avlägsna lika mycket material från båda ändarna.

Slipa en kniv i ett skruvstöd (fig. V)

- ◆ Se till att säkerhetsbygeln är släppt, kniven har stannat och att säkerhetsnyckeln och batteripaketet tagits bort innan kniven tas bort.
- ◆ Ta bort kniven från gräsklipparen. Se instruktionen för borttagning och installation av kniven.
- ◆ Fäst kniven (35) i ett skruvstöd (38).
- ◆ Använd ordentliga ögonskydd och handskar och var försiktig så att du inte skär dig. Fila knivens skärkanter försiktigt med en fintandad fil (39) eller ett bryne för att återskapa den ursprungliga skärkanten. Kontrollera knivbalansen. Se instruktioner för knivbalansering. Sätt tillbaka kniven på gräsklipparen och dra åt ordentligt.

Knivbalansering (fig. Z1)

Kontrollera balansen hos kniven (35) genom att placera centrumhålet på kniven över en spik eller runt skaflet på en skruvmejsel (40), fäst horisontellt i ett skruvstöd (38), om någon ände av kniven roterar nedåt, fila längs den skarpa kanten dom droppade ned. Kniven är korrekt balanserad när ingen ände droppar ned.

Smörjning

Ingen smörjning behövs. Håll inte olja på hjulen. Hjulets lagerytor är av plast och behöver inte smörjas.

Rengöring

Släpp säkerhetsbygeln (2) för att stänga av gräsklipparen, låt kniven stanna helt och ta sedan bort säkerhetsnyckeln. Använd bara mild tvål och en fuktig trasa för att rengöra gräsklipparen. Ta bort eventuella gräsrester som kan ha samlats under gräsklipparen. Efter flera användningar bör du kontrollera alla utsatta fästelement är ordentligt åtdragna.

Förebygga korrosion

Gödningsmedel och andra trädgårdskemikalier innehåller ämnen som i hög grad påskyndar korrosion av metaller. Om du klipper i områden där gödningsmedel eller kemikalier har använts bör gräsklipparen rengöras så här efteråt: Släpp säkerhetsbygeln (2) för att stänga av och ta bort säkerhetsnyckeln och batteriet. Torka av alla åtkomliga delar med en fuktig trasa.

Underhåll

Det här BLACK+DECKER-redskapet (med eller utan sladd) är konstruerat för att fungera under lång tid med minsta möjliga underhåll. Med rätt underhåll och regelbunden rengöring behåller verktyget/apparaten sin funktion. Laddaren behöver inget annat underhåll än regelbunden rengöring.

Varning! Innan något underhåll utförs på sladdanslutna/sladdlösa elverktyg:

- ◆ Stäng av apparaten/verktyget och dra ur nätkontakten.
- ◆ Om batteriet är inbyggt låter du det laddas ur helt innan avstängningen.
- ◆ Dra ur sladden till laddaren innan du rengör den. Laddaren behöver inget annat underhåll än regelbunden rengöring.
- ◆ Rengör regelbundet verktyget/apparaten luftintag med en mjuk borste eller torr trasa.
- ◆ Rengör motorkåpan regelbundet med en fuktig trasa. Använd aldrig rengöringsmedel med lösnings- eller slipmedel.
- ◆ Ta med jämna mellanrum bort gräs och smuts från skyddets undersida med en slö skrapa.

Felsökning

Om apparaten inte fungerar som den ska följer du instruktionerna nedan. Om problemet kvarstår kontaktar du närmaste BLACK+DECKER-verkstad.

Varning! Innan du fortsätter, släpp säkerhetsbygeln för att stänga av gräsklipparen, väntar tills kniven stannat och tar därefter ur säkerhetsnyckeln

Problem	Möjlig lösning
Gräsklipparen körs inte när säkerhetsbygeln är aktiverad.	Kontrollera att säkerhetsnyckeln sitter ordentligt på plats och att låsknappen tryckts in ordentligt innan du drar in säkerhetsbygeln. Stäng av gräsklipparen genom att släppa upp säkerhetsbygeln. Ta ur säkerhetsnyckeln och batteripaketet, stäng av gräsklipparen och kontrollera att kniven har fritt svängrum. Är batteriet fulladdat? Anslut laddaren och vänta tills den gröna lampan tänds
Motorn stannar under klippning.	Stäng av gräsklipparen genom att släppa upp säkerhetsbygeln. Ta ur säkerhetsnyckeln och batteriet. Stäng av gräsklipparen och kontrollera att kniven har fritt svängrum. Höj hjulen till den högsta klipphöjden och starta gräsklipparen. Kontrollera att batteriet är fritt från skräp och att det är korrekt anslutet. Är batteriet fulladdat? Tryck på laddningsknappen. Undvik att överbelasta gräsklipparen. Sänk klippastigheten eller öka klipphöjden.

Problem	Möjlig lösning
Gräsklipparen går men klipper otillfredsställande eller klipper inte hela gräsmattan.	Är batteriet fulladdat? Tryck på laddningsknappen. Stäng av gräsklipparen genom att släppa upp säkerhetsbygeln. Ta ur säkerhetsnyckeln och batteriet. Vänd på gräsklipparen och kontrollera följande: ◆ Kniven ska vara vass. ◆ Undersidan och utkastarrännan är fria från gräsrester. Hjulinställningen kan vara för låg för gräsförhållandena. Öka klipphöjden.
Gräsklipparen är för tung att skjuta framåt.	Stäng av gräsklipparen genom att släppa upp säkerhetsbygeln. Ta ur säkerhetsnyckeln och batteriet. Öka klipphöjden för att minska undersidans motstånd mot gräset. Kontrollera att alla hjul roterar fritt
Gräsklipparen bullrar och vibrerar onormalt mycket.	Stäng av gräsklipparen genom att släppa upp säkerhetsbygeln. Ta ur säkerhetsnyckeln och batteriet. Ställ gräsklipparen på sidan och säkerställ att kniven inte är böjd eller skadad. Om kniven är skadad ska den bytas mot en ersättningskniv från BLACK+DECKER. Om gräsklipparens underdel är skadad ska du lämna in gräsklipparen hos en auktoriserad BLACK+DECKER-verkstad. Om det inte finns några synliga skador på kniven och gräsklipparen fortfarande vibrerar: ◆ Stäng av gräsklipparen genom att släppa upp säkerhetsbygeln. ◆ Ta ur säkerhetsnyckeln och batteripaketet. ◆ Demontera hela knivmontaget såsom beskrivs i sektionen "Borttagning och installation av kniv". ◆ Ta bort skräp och rengör varje del. ◆ Sätt tillbaka varje del såsom beskrivs i sektionen "Borttagning och installation av kniv". Om gräsklipparens fortfarande vibrerar lämnar du in gräsklipparen hos en auktoriserad Black & Decker-verkstad.
Batteriladdarens LED lyser inte.	Kontrollera kontaktanslutningen. Byt ut laddare.
Gräsklipparen tar inte upp klipprester.	Utkastarrännan har täppts igen. Stäng av gräsklipparen genom att släppa upp säkerhetsbygeln. Ta ur säkerhetsnyckeln och batteriet. Rensa bort klipprester från utkastarrännan. Höj hjulen för att minska längden på gräset som klipps. Behållaren är full. Töm behållaren oftare.

Skydda miljön



Separat insamling. Produkter och batterier som är markerade med denna symbol får inte kastas in de vanliga hushållsoporna.

Produkterna och batterierna innehåller material som kan återvinnas eller återanvändas, vilket sänker behovet av råmaterial. Återvinn elektriska produkter och batterier enligt lokala bestämmelser. Närmare information finns tillgänglig på www.2helpU.com

Tekniska data

CLMA4825L2 H1		
Spänning	V _{DC}	36V
Obelastad hastighet	min ⁻¹	2900
Vikt	kg	nettovikt 21,24 KG brutto 25,95 KG

CLMA4825L2 H1		
Batteri		BL2536
Spänning	V _{DC}	36
Kapacitet	Ah	2.5
Typ		Li-jon
Laddare		90616337-xx
Spänning	V _{AC}	230
Utspanning	V _{DC}	36
Strömstyrka	mA	1300
Laddningstid cirka	min	110

Vibrationspåverkan på hand/arm:
= < 0,5 m/s², osäkerhet (K) = 1,5 m/s².

L_{PA} (ljudtryck) 75 dB(A)
osäkerhet (K) = 3 dB(A)

EG-deklaration om överensstämmelse MASKINDIREKTIV BULLERFÖRESKRIFTER, UTMOMHUS



CLMA4825L2 Autosense gräsklippare

Black & Decker garanterar att dessa produkter som beskrivs under Tekniska data uppfyller:

EN60335-1:2012+A11:2014+A13:2017, EN60335-2-77:2010

2000/14/EG, Gräsklippare, L < 50 cm, Annex VI,

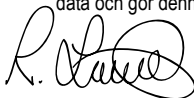
DEKRA Certification B.V. Meander 1051 / P.O. Box 5185
6825 MJ ARNHEM / 6802 ED ARNHEM, Nederländerna meddelandeorgan Nr.: 0344

Den akustiska effekten enligt 2000/14/EG
(Artikel 12, Annex III, L ≤ 50 cm):
L_{WA} (uppmätt ljudnivå) 89 dB(A)
osäkerhet (K) = 3 dB(A)
L_{WA} (garanterad ljudnivå) 96 dB(A)

De här produkterna överensstämmer även med direktiven
2006/42/EG, 2014/30/EU och 2011/65/EU.

För ytterligare information, kontakta Black & Decker på följande adress eller se baksidan av bruksanvisningen.

Undertecknad är ansvarig för sammanställningen av tekniska data och gör denna försäkran för Black & Decker.



R. Laverick
Director of Engineering
Black & Decker Europe, 210 Bath Road, Slough,
Berkshire, SL1 3YD
Storbritannien
2015-12-18

Garanti

Black & Decker är säker på kvaliteten hos denna produkt och erbjuder kunder 24 månaders garanti från inköpsdatumet. Garantin gäller utöver konsumentens rättigheter enligt lag och påverkar inte dessa. Garantin är giltig i de territorier som tillhör medlemsstaterna i Europeiska unionen och det europeiska frihandelsområdet.

För yrkande under garantin måste yrkandet vara i enlighet med Black&Deckers villkor och du kommer att behöva skicka in bevis på köpet till försäljaren eller en auktoriserad reparatör. Villkoren för Black&Deckers tvååriga garanti och var du hittar din närmaste auktoriserade reparatör kan erhållas på internet på www.2helpU.com, eller genom att kontakta ditt lokala Black & Decker kontor på adressen som angetts i denna bruksanvisning.

Besök vår webbplats www.blackanddecker.se för att registrera din nya Black & Decker-produkt samt för att få information om nya produkter och specialerbjudanden.

Tiltenkt bruk

Denne BLACK+DECKER CLMA4825L2 Autosense gressklipperen fra er konstruert for å klippe gress. Apparatet er beregnet bare for privat bruk.

Sikkerhetsinstruksjoner

Advarsel! Når du bruker batteridrevne apparater, må du alltid ta grunnleggende forholdsregler når det gjelder sikkerhet, blant annet dem som er beskrevet nedenfor, for å redusere risikoen for brann, elektrisk støt, personskade og materiell skade.

Advarsel! Når du bruker maskinen, må du følge sikkerhetsreglene. Les disse instruksjonene før du bruker maskinen, for å ivareta sikkerheten for deg selv og personer i nærheten. Ta vare på instruksjonene for senere bruk.

- Les hele denne bruksanvisningen nøye før du bruker apparatet.
- Beregnet bruk er beskrevet i denne bruksanvisningen. Hvis du bruker annet tilbehør, kobler til annet utstyr eller bruker dette apparatet til andre oppgaver enn det som er anbefalt i denne håndboken, kan det føre til fare for personskade.
- Ta vare på denne håndboken for fremtidig bruk.

Bruke produktet

Vær alltid forsiktig når du bruker apparatet.

- Det er ikke meningen at dette apparatet skal brukes av unge eller svekkede personer uten tilsyn.
- Apparatet skal ikke brukes som leketøy.

- Pass på at barn og dyr ikke kommer i nærheten av arbeidsområdet, og at de ikke berører apparatet eller strømledningen.
- Pass ekstra godt på når apparatet brukes i nærheten av barn.
- Skal bare brukes på tørre steder. Ikke la apparatet bli vått.
- Ikke senk produktet ned i vann.
- Ikke åpne apparathuset. Verktøyet inneholder ingen deler som kan vedlikeholdes av brukeren.
- Ikke bruk apparatet i omgivelser med eksplosjonsfare, for eksempel på steder der det finnes brennbare væsker, gasser eller støv.
- Dra aldri i kablet når du skal ta støpselet ut av stikkontakten. Dermed reduserer du risikoen for skade på støpsel og kabel.

Etter bruk

- Når apparatet ikke er i bruk, skal det oppbevares på et tørt og godt ventilert sted og utilgjengelig for barn.
- Barn skal ikke ha tilgang til apparater som oppbevares.
- Når apparatet oppbevares eller transporteres i et kjøretøy, bør det plasseres i bagasjerommet eller festes, slik at det ikke påvirkes av raske farts- eller retningsendringer.

Kontroll og reparasjon

- Kontroller at produktet ikke er skadet eller har defekte deler før du bruker det. Undersøk om brytere eller andre

- deler er skadet, eller om det er andre forhold som kan påvirke bruken.
- Ikke bruk verktøyet hvis noen del er skadet eller defekt.
- Overlat reparasjon eller utskifting av skadde eller defekte deler til et autorisert serviceverksted.
- Forsøk aldri å fjerne eller bytte ut andre deler enn delene som er oppgitt i denne bruksanvisningen.
- Vær forsiktig når du justerer gressklipperen, slik at du ikke klemmer fingrene mellom bevegelige blader/deler og faste deler på maskinen.
- Når du arbeider med bladene, må du være klar over at selv om strømmen er av, kan bladene fremdeles bevege seg.

Ekstra sikkerhetsinstruksjoner for gressklippere

- Hold godt fast i håndtaket med begge hender når du bruker gressklipperen.
- Hvis det på noe tidspunkt er nødvendig å vippe gressklipperen til én side, sørg for at begge hender forblir i denne betjeningsposisjonen mens gressklipperen vippes. Hold begge hender i betjeningsposisjonen helt til gressklipperen er satt riktig tilbake på bakken igjen.
- Du må aldri bruke hodetelefoner for radio eller musikk når du bruker gressklipperen.
- Forsøk aldri å justere høyden på hjulene mens motoren går, eller mens sikkerhetsnøkkelen er i bryterhuset.

- ◆ Hvis gressklipperen kjører seg fast, slipper du sikkerhetshåndtaket for å slå gressklipperen av, venter til bladet har stoppet og tar ut sikkerhetsnøkkelen før du prøver å fjerne tilstoppingen av utmatningen eller fjerner noe under dekselet.
- ◆ Hold hendene og føttene borte fra skjæreområdet.
- ◆ Hold bladene skarpe. Bruk alltid vernehansker når du håndterer bladet på gressklipperen.
- ◆ Hvis du bruker gressoppsamleren, må du jevnlig kontrollere om den er slitt eller skadet. Hvis den er svært slitt, må du bytte den ut med en ny gressoppsamler for din egen sikkerhets skyld.
- ◆ Vær svært forsiktig når du kjører gressklipperen bakover eller trekker den mot deg.
- ◆ Ikke ha hendene eller føttene i nærheten av eller under gressklipperen. Hold deg alltid unna utmatingsåpningen.
- ◆ Rydd området der gressklipperen skal brukes, for gjenstander som steiner, pinner, tråder, leker, bein osv. som bladet kan kaste. Gjenstander som treffes av bladet, kan påføre personer alvorlige skader. Hold deg bak håndtaket når motoren er i gang.
- ◆ Ikke bruk gressklipperen barbent eller når du har på sandaler. Bruk alltid solid fottøy.
- ◆ Ikke trekk gressklipperen bakover med mindre det er absolutt nødvendig. Se alltid nedover og bak før og mens du beveger deg bakover.
- ◆ Du må aldri rette materiale som kastes ut, mot noen. Unngå at materiale blir kastet ut mot en vegg eller hindring. Materiale kan bli kastet tilbake mot brukeren. Slipp sikkerhetshåndtaket for å slå gressklipperen av og stoppe bladet når du krysser gruslagte flater.
- ◆ Ikke bruk gressklipperen med mindre hele gressoppsamleren, utmatingsvernet, det bakre vernet eller annet sikkerhetsutstyr er på plass og fungerer. Kontroller alle verneinnretninger og alt sikkerhetsutstyr regelmessig for å sikre at dette er i god stand, fungerer riktig og utfører den funksjonen det er beregnet for. Hvis et vern eller annet sikkerhetsutstyr er skadet, bytter du det ut før videre bruk.
- ◆ Du må aldri la en gressklipper være uten tilsyn når den går. Hvis gressklipperen skal være uten tilsyn, må du alltid ta ut sikkerhetsnøkkelen.
- ◆ Slipp alltid sikkerhetshåndtaket for å stoppe motoren, vent til bladet stopper helt, og ta ut sikkerhetsnøkkelen før du rengjør gressklipperen, tar av gressoppsamleren eller fjerner tilstopping ved utmatingsvernet, når du forlater gressklipperen, eller før du utfører noen justeringer, reparasjoner eller kontroller.
- ◆ Bruk gressklipperen bare i dagslys eller godt kunstig lys når gjenstander i banen til bladet er godt synlige fra betjeningsområdet for gressklipperen.
- ◆ Ikke bruk gressklipperen dersom du er påvirket av alkohol eller rusmidler, eller dersom du er trøtt eller syk. Vær alltid

- oppmerksom, se hva du gjør og bruk sunn fornuft.
- ◆ Unngå farlige omgivelser. Du må aldri bruke gressklipperen i fuktig eller vått gress, og aldri når det regner. Pass på at du alltid har godt fotfeste. Gå, aldri løp.
- ◆ Hvis gressklipperen begynner å vibrere unormalt, slipper du sikkerhetshåndtaket, venter til bladet stopper og tar ut sikkerhetsnøkkelen. Undersøk deretter straks årsaken. Unormal vibrasjon er vanligvis en advarsel om at noe er galt. Du kan se etter råd i problemløsningsveiledningen i slike tilfeller.
- ◆ Bruk alltid tilfredsstillende øye- og åndedrettsbeskyttelse når du bruker gressklipperen.
- ◆ Det kan være farlig å bruke tilbehør eller tilkoblet utstyr som ikke er anbefalt for bruk sammen med denne gressklipperen. Bruk bare tilbehør som er godkjent av BLACK+DECKER.
- ◆ Du må aldri strekke deg for langt når du bruker gressklipperen. Pass på at du alltid har sikkert fotfeste og god balanse mens du bruker gressklipperen.
- ◆ Slå gress på tvers av skråninger, aldri opp og ned. Vær svært forsiktig når du endrer retning i skråninger.
- ◆ Se opp for hull, spor, humper, steiner eller andre skjulte ting. Ujevnt terreng kan føre til uhell der man sklir og faller. Høyt gress kan skjule hindringer.
- ◆ Ikke bruk gressklipperen på vått gress eller i svært bratte skråninger. Dårlig fotfeste kan føre til uhell der man sklir og faller.

- ◆ Ikke bruk gressklipperen i nærheten av skrenter, grøfter eller fyllinger. Du kan miste fotfestet eller balansen.
- ◆ La alltid gressklipperen bli avkjølt før den settes til oppbevaring.

Andre personers sikkerhet

- ◆ Dette apparatet kan brukes av barn som er 8 år eller eldre samt av personer som har reduserte fysiske, sansemessige eller mentale evner, eller som mangler erfaring og kunnskap, hvis de har tilsyn eller har fått veiledning i bruk av apparatet på en trygg måte og forstår farene som foreligger.
- ◆ Barn skal ikke leke med apparatet. Rengjøring og brukervedlikehold skal ikke utføres av barn uten tilsyn.

Andre risikoer

- Når verktøyet brukes, kan det oppstå ytterligere risikoer som kanskje ikke er beskrevet i de medfølgende sikkerhetsadvarslene. Disse risikoene kan bli forårsaket av feil bruk, langvarig bruk osv. Selv om de relevante sikkerhetsbestemmelsene blir fulgt, og sikkerhetstiltakene blir gjennomført, kan visse gjenværende risikoer ikke unngås. Disse inkluderer:
- ◆ Personskader som forårsakes av berøring av en roterende/bevegelig del.
 - ◆ Personskader som oppstår ved skifte av deler, blader eller tilbehør.
 - ◆ Personskader som skyldes for lang tids bruk av verktøyet. Når du bruker et verktøy i lange perioder, må du sørge for å ta regelmessige pauser.
 - ◆ Hørselskader.

- ◆ Helsefarer forårsaket av innånding av støv som utvikler seg når du bruker verktøyet (eksempel: arbeid med tre, spesielt eik, bøk og MDF.)

Advarselssymboler

Følgende advarselssymboler vises på verktøyet sammen med datokoden:



Advarsel! Les håndboken før bruk.



Ikke utsett maskinen for regn eller høy fuktighet.



Se opp for skarpe blader. Bladene vil fortsette å rotere etter at maskinen er slått av. Ta alltid ut sikkerhetsnøkkelen før du rengjør gressklipperen, tar av gressposen eller fjerner tilstopping ved utmatingsvernet når du forlater gressklipperen, eller før du utfører justeringer, reparasjoner eller undersøkelser.



Se opp for gjenstander som kastes rundt. Hold personer i nærheten borte fra klippeområdet.



Bruk vernebriller



Garantert lydeffekt i henhold til direktiv 2000/14/EF.

Ytterligere sikkerhetsinstruksjoner for batterier og ladere

Batterier

- ◆ Forsøk aldri å åpne av noen årsak.
- ◆ Ikke utsett batteriene for vann.
- ◆ Ikke utsett batteriet for varme.
- ◆ Ikke oppbevar det på steder hvor temperaturen kan komme over 40 °C.
- ◆ Lad bare ved temperaturer mellom 10 og 40 °C.
- ◆ Bruk bare ladere av typen som følger med maskinen/apparatet. Hvis du bruker feil lader, kan dette føre til et elektrisk støt eller at batteriet overoppheles.
- ◆ Følg instruksene som finnes i avsnittet "Miljøvern" når du skal kaste batterier.
- ◆ Ikke skade eller deformer batteripakken ved punktering eller støt, da dette kan føre til risiko for personskade og brann.
- ◆ Du må ikke lade skadede batterier.
- ◆ Under ekstreme forhold kan batterilekkasje forekomme. Hvis du oppdager væske på batteriene, må du tørke den forsiktig av med en klut. Unngå kontakt med huden.
- ◆ Hvis væsken kommer i kontakt med huden eller øynene, skal du følge instruksjonene nedenfor.

Advarsel! Batterivæsken kan føre til personskade eller skade på eiendom. Ved hudkontakt skyller du umiddelbart med vann. Hvis huden blir rød eller irritert eller smerter inntreffer, søk øyeblikkelig medisinsk hjelp.

Hvis væsken kommer i kontakt med øynene, skyller du umiddelbart med rent

vann og søker øyeblikkelig medisinsk hjelp.



Ikke forsøk å lade opp skadede batterier.

Ladere

Ladere er konstruert for en bestemt spenning.

Kontroller alltid at nettspenningen er i overensstemmelse med spenningen på typeskiltet.

Advarsel! Ikke skift ut laderen med et vanlig nettstøpsel.

- ◆ Black & Decker-ladere skal bare brukes til å lade batteriet i maskinen/verktøyet som laderen kom sammen med. Andre batterier kan sprekke og føre til personskade og materiell skade.
- ◆ Prøv aldri å lade ikke-oppladbare batterier.
- ◆ Hvis strømledningen blir skadet, må den byttes av produsenten eller et autorisert BLACK+DECKER-servicesenter for å unngå fare.
- ◆ Ikke utsett laderen for vann.
- ◆ Ikke åpne laderen.
- ◆ Ikke stikk gjenstander eller fingre inn i laderen.
- ◆ Apparatet, verktøyet eller batteriet må plasseres på et sted med god gjennomlufting under ladning.



Adapteren er bare beregnet for innendørs bruk.



Les denne håndboken før bruk.

Elektrisk sikkerhet



Denne laderen er dobbeltisolert. Jording er derfor ikke nødvendig. Kontroller alltid at nettspenningen er i overensstemmelse med spenningen på typeskiltet. Ikke skift ut laderen med et vanlig nettstøpsel.

- ◆ Hvis strømledningen blir skadet, må den byttes av produsenten eller et autorisert BLACK+DECKER-servicesenter for å unngå fare.

Lading av batteriet (figur A)

Batteriet må lades før første gang det brukes, og hver gang det ikke lenger gir nok strøm til oppgaver som tidligere ble utført uten problemer.

Batteriet kan bli varmt under lading. Dette er normalt og innebærer ikke feil.

Advarsel! Ikke lad batteriet ved omgivelsestemperaturer under 10 °C eller over 40 °C. Anbefalt ladetemperatur er ca. 24 °C.

Merk: Laderen vil ikke lade et batteri hvis celledemperaturen er under ca. 10 °C eller over 40 °C.

Du bør la batteriet stå i laderen. Laderen begynner å lade automatisk når celledemperaturen blir høyere eller lavere.

- ◆ Plugg inn laderen i en passende stikkontakt før du setter inn batteripakken.
- ◆ Sett batteripakken inn i laderen.



Det grønne LED-lyset blinker for å varsle om at batteriet lades.



Fullføringen av strøm er merket med det grønne LED kontinuerlig gjenstår. Pakken er fulladet, og kan brukes på denne tiden eller venstre i lasten

Advarsel! Lad opp utladete batterier så fort som mulig etter bruk, ellers vil batteriets levetid forringes.

Laderdiagnose

Denne laderen er designet for å oppdage visse problemer som kan oppstå med batteripakken eller strømkilden.

Problemer indikeres av et LED-lys som blinker i ulike mønstre.

Dårlig batteri



Laderen kan oppdage et svakt eller ødelagt batteri. LED-lyset blinker i mønsteret som er indikert på merkelappen. Hvis du ser dette blinkemønsteret for dårlig batteri, skal du ikke fortsette å lade batteriet. Returner det til et servicesenter eller et oppsamlingssted for resirkulering.

Ventetid for varm/kald pakke



Dersom laderen detekterer et batteri som er for varmt eller for kaldt, vil den automatisk starte en "varm/kald pakke forsøkelse", og venter med å lade til batteriet har passende temperatur. Etter at dette har skjedd vil laderen automatisk skifte til pakkeladmodus. Denne funksjonen sikrer maksimal levetid på batteriet. Det røde LED-lyset blinker i mønsteret indikert på merkelappen når varm/kald pakkeforsøkelse er oppdaget.

La batteriet være i laderen

Laderen og batteripakken kan forbli tilkoblet med lysende LED-lys i ubegrenset tid. Laderen holder batteripakken klar og fulladet.

Funksjoner

Dette apparatet har noen av eller alle funksjonene nedenfor.

1. Koblingsboks
2. Sikkerhetshåndtak
3. Håndtak, øvre del
4. Håndtak, nedre del
5. Festespaker på øvre del av håndtaket (2)
6. Festespaker på nedre del av håndtaket (2)
7. Justeringsspake for klippehøyde
8. Gressoppsamler
9. Deksel bakdør
10. Batteriport
11. Lagringsrom for batteri
12. Bærehåndtak
13. EdgeMax™

Sette inn og ta ut batteriet (figur B - C)

- ◆ Trykk inn låseknappen (14) på batteridekselet og trekk batteridekselet (15) opp for å åpne batterirommet (10) som vist i figur B.

- ◆ Skyv batteriet (16) inn i batterirommet til det sitter godt og du hører et klikk (figur C). Pass på at batteripakken sitter godt og er låst på plass.
- ◆ Steng dekselet på batterirommet. Forsikre deg om at dekselet er helt igjen før du starter gressklipperen.

Ta ut batteripakken (figur D)

- ◆ Åpne dekselet på batterirommet.
- ◆ Trykk på batteriets låseknapp på batteripakken og dra batteripakken ut av verktøyet som vist på figur M.

Lagring av batteri

Et ekstra batteri kan lagres i batterilagringsrommet (11).

- ◆ Løft dekselet på lagringsrommet og skyv batteriet inn i rommet som vist i figur E. Batteriet gir ikke strøm til gressklipperen fra dette rommet.
- ◆ Skru hurtigutløserne for den øvre delen av håndtaket (7) gjennom den nedre delen av håndtaket, og skru på mutterne (20). Når hurtigutløserne for den øvre delen av håndtaket er skrudd halvveis inn, lukker du hurtigutløserne (figur G). Hvis koblingen mellom håndtaket og hurtigutløserne er for stram eller løs, justerer du dybden til hurtigutløserne og lukker dem igjen inntil taggene griper ordentlig inn i hverandre.

Montering

Advarsel! Før montering må du passe på at verktøyet er slått av, og at sikkerhetsnøkkelen og batteriet er tatt ut.

Sette på nedre håndtak (figur F)

- ◆ Løft nedre håndtak (4) på plass, pass på at pilen (18) nede på gressklipperen er innrettet mot 1, 2 eller 3 nederst på håndtaket (19) (innfelt i figur F).

Merk! Pass på at begge sidene av det nedre håndtaket er stilt inn på samme nummer. Pilen må peke mot 1, 2, eller 3 før bruk.

- ◆ Lukk justeringsspakene (7) for håndtakshøyden som vist i figur F. Når du lukker dem, pass på at tennene går i lås som vist i figur G.
- ◆ Dersom koblingen mellom håndtak og spak er for stram eller for løs, åpne spaken og juster dybden av spaken ved å dreie spaken. Lukk den igjen, gjenta til tennene er i lås og begge spakene holder seg trygt på plass.

Sette på øvre håndtak (figur H)

- ◆ Ta av festespakene (5) på øvre håndtak, mutterne (20) og skivene (21) fra håndtaket.
- ◆ Rett inn hullene nederst på øvre håndtak (3) med hullene på toppen av nedre håndtak (4).

Merk: Pass på at kableen er posisjonert foran på begge håndtak. Dersom ikke, er det fare for at kableen vikler seg og at gressklipperen ikke kan lagres enkelt (fig. I)

- ◆ Fra utsiden av øvre håndtak (3), skyv spake-bolten gjennom hullene.
- ◆ Skyv skiven inn på spake-bolten og trekk løst til hele modulen ved hjelp av mutteren.
- ◆ Vri øvre håndtak til ønsket stilling.
- ◆ Lukk spaken. Dersom den er for stram eller for løs, åpne spaken og juster mutteren for å endre strammingen. Kontroller spakene ved å lukke dem. De skal være stram nok til at håndtakene holdes godt på plass. men løs nok til at spakene kan lukkes helt. Juster ved å åpne spaken og vri på mutteren til spakene sitter godt.

Sikre motorkableen (figur J)

Advarsel! Fest kableen slik at den ikke kommer i strekk eller klemmes i håndtaksleddene under bruk eller ved sammenfolding.

Det kan skade strømkableen.

Motorkableen (22) skal festes til håndtakene ved hjelp av kabelfestene (23) som allerede er montert på håndtaket:

- ◆ Sett håndtakene i bruksposisjon, se avsnittet "Sette på nedre håndtak".
- ◆ Før kableen opp langs fronten av nedre og øvre håndtak.
- ◆ Trekk tilbake kabelfestet.
- ◆ Skyv motorkableen under klipset og pass på at den holdes på plass av festet.

Oppsamling i pose

- ◆ Pass på at sideutkasteren (27) (fig. M) og bioklippstykket (26) (fig. L) er tatt av gressklipperen før bruk av pose.
- ◆ Løft dekselet (9) på bakdøren og sett gressamleren (8) på gressklipperen slik at krokene på posen (24) hviler på knastene (25) som vist på figur K. Lukk igjen dekselet på bakdøren.

Bioklipping

- ◆ Pass på at sideutkasteren (27) gressamleren (8) ikke er satt på.
- ◆ Løft dekselet på bakdøren (9) og skyv bioklippenheten (26) helt inn i gressklipperen som vist på figur L.
- ◆ Pass på at dekselet på bakdøren lukker helt før du slår på gressklipperen.

Sideutkast

- ◆ Pass på å ta av samleposen (8).
- ◆ Løft bakdekselet (9) og skyv bioklippenheten (26) helt inn i gressklipperen som vist på figur L.
- ◆ Løft sideklaffen (28) og fest sideutkasteren (27) på gressklipperen som vist på figur M.
- ◆ Løsen sideklaffen og pass på at utkasteren holdes på plass før du slår på gressklipperen som vist innfelt på figur M.

Bruk

Advarsel! La gressklipperen arbeide i sin egen hastighet. Må ikke overbelastes.

Justere håndtakshøyden (fig. N)

- ◆ Åpne begge festespakene (6) på nedre håndtak.
- ◆ Juster håndtaket slik at pilen (18) nederst på gressklipperen er rettet mot 1, 2 eller 3 nederst på håndtaket (19). Pass på at håndtaket står mot samme tall på begge sider av gressklipperen.
- ◆ Lukk begge spakene og sjekk at håndtaket sitter godt.

Justere klippehøyde (fig. O)

Du justerer klippehøyden med den sentrale høydejusteringsmekanismen, og du kan velge mellom 7 posisjoner.

Merk: Dersom du ikke er sikker på hvor mye gresset skal klippes, start med høydejusteringsspaken (7) i posisjon 7 og still ned høyden om det trengs, som vist på figur O.

Stille inn klippehøyden:

- ◆ Trekk gressklipperens høydejusteringsspaken ut av låsesporet.
- ◆ Beveg håndtaket mot baksiden av maskinen for å redusere klippehøyden.
- ◆ Beveg håndtaket mot forsiden av maskinen for å øke klippehøyden.
- ◆ Skyv høydejusteringshåndtaket inn i én av de 7 låsesporene.

Sikkerhetsnøkkel

Advarsel! For å hindre utilsiktet start eller uautorisert bruk av gressklipperen, er det integrert en avtagbar sikkerhetsnøkkel (29) i gressklipperen. Gressklipperen er helt deaktivert når sikkerhetsnøkkelen er tatt ut.

Merk: Deet er et hull i nøkkelen for å henge den f.eks. på en spiker utenfor rekkevidde av barn. Ikke bind fast sikkerhetsnøkkelen til gressklipperen.

- ◆ Sett inn sikkerhetsnøkkelen (29) i bryterhuset til den sitter helt inne i huset slik som vist på figur P. Gressklipperen er nå klar til bruk.

- ◆ Denne gressklipperen er utstyrt med en spesiell av-på bryterboks. For å bruke gressklipperen, trykk på bryteren (30) på koblingsboksen (1) og trekk sikkerhetshåndtaket (2) mot håndtaket som vist på figur Q.

- ◆ For å slå av gressklipperen, slipp sikkerhetshåndtaket.

Advarsel! Ikke prøv å låse en bryter eller sikkerhetshåndtaket i stillingen "på".

Merk: Når sikkerhetshåndtaket har vendt tilbake til den opprinnelige posisjonen, vil dette aktivere den automatiske bremsemekanismen. Motoren bremses elektrisk, og bladet på gressklipperen slutter å rotere innen 3 sekunder eller mindre.

Overbelastning av gressklipper

For å forhindre skade på grunn av overbelastning skal du ikke prøve å fjerne for mye gress om gangen. Senk farten, eller hev klippehøyden.

EdgeMax™

Med EdgeMax™ kan du klippe gress helt ut til kanten ved en vegg eller et gjerde (figur R).

Med EdgeMax™ kan du klippe gress nøyaktig helt ut til kanten av plenen (figur R1).

- Med gressklipperen parallell med kanten av plenen, skyv gressklipperen langs kanten av plenen. Pass på at EdgeMax™ er litt over kanten av plenen (fig. R1).

Merk: Når sideutkasteren er montert, kan EdgeMax™ bare brukes på høyre side av gressklipperen.

Auto sense™ teknologi

Auto sense™ teknologien bestemmer tykkelsen av gresset og foretar tilsvarende regulering av effekten. For tykt gress vil gressklipperen gå til større effekt, i lettere gress vil gressklipperen senke effekten for å spare batteriet og forlenge driftstiden

Lagring

Advarsel! Det roterende bladet kan føre til alvorlig personskade. Slipp sikkerhetshåndtaket (2) for å slå gressklipperen av, og ta ut sikkerhetsnøkkelen før du løfter, transporterer eller oppbevarer gressklipperen. Oppbevar den på et tørt sted.

Advarsel! For å unngå klemming, hold fingrene unna området mellom håndtakene når du folder ned håndtakene.

Advarsel! Pass på at kablen ikke strekkes eller kommer i klem i håndtaksleddene ved folding. Det kan skade strømka-belen.

Håndtaket på gressklipperen kan enkelt foldes ned for rask og enkel lagring.

- Hold i håndtaket, åpne - men ikke ta av - festespakene (6) på nedre håndtak og fold håndtaket ned mot fronten av gressklipperen som vist på figur S.
- Åpne - men ikke ta av - festespakene (5) på øvre håndtak og fold øvre håndtak (3) tilbake over nedre håndtak (4) som vist på figur T.
- Gressklipperen skal nå ha kompakt form som vist på figur U.

Bære gressklipperen

- Gressklipperen kan bæres med de praktiske bærehåndtakene (12) som vist på figur V. **IKKE** forsøk å løfte gressklipperen ved hjelp av øvre håndtak (3) eller nedre håndtak (4).

Klippetips

Advarsel! Sjekk alltid området der gressklipperen skal brukes, og fjern alle steiner, pinner, tråd, bein og annet avfall som snøfreseren kan kaste ut.

Advarsel! Slå gresset på langs i skråninger, aldri opp og ned. Vær svært forsiktig når du endrer retning i skråninger. Ikke klipp gresset i svært bratte skråninger. Pass på at du alltid opprettholder et godt fotfeste.

- Slipp sikkerhetshåndtaket for å slå gressklipperen av når du krysser områder med grus, ettersom steiner kan bli kastet ut av det roterende bladet.
- Still gressklipperen inn på den høyeste klippehøyden når du beveger deg på ujevnt underlag eller over høyt ugress. Hvis du slår for store mengder gress samtidig, kan motoren bli overbelastet og gressklipperen stoppe. Se i problemløsningsveiledningen.
- Hvis du bruker gressoppsamleren (8) i løpet av høysesongen for vekst, kan gresset ha en tendens til å samle seg i utmatingsåpningen. Slipp sikkerhetshåndtaket for å slå gressklipperen av, og ta ut sikkerhetsnøkkelen. Ta ut gressposen, og rist gresset bakover i den. Fjern gress eller avfall som kan ha samlet seg rundt utmatingsåpningen. Skift ut gressoppsamleren.
- Dersom gressklipperen begynner å vibrere unormalt, slipp sikkerhetshåndtaket for å slå av gressklipperen og ta ut sikkerhetsnøkkelen. Se straks etter årsaken. Vibrasjoner er vanligvis et varsel om problemer. Ikke bruk gressklipperen før det er blitt utført en servicekontroll. Se i problemløsningsveiledningen i håndboken.
- Slipp alltid sikkerhetshåndtaket for å slå gressklipperen av, og ta ut sikkerhetsnøkkelen når den er uten tilsyn, selv om det bare er for en kort periode.

Råd for optimal bruk:

- Senk farten på steder der gresset er spesielt langt eller tykt.
- Unngå å slå gress når det er vått av regn eller dugg.
- Klipp plenen regelmessig, særlig i perioder når gresset vokser mye.

Merk: Det anbefales at gressklipperen lades opp etter bruk, det vil øke levetiden på batteriet. Hyppig lagring vil ikke skade batteriet, og sikrer at batteriet er oppladet og klart for bruk neste gang. Dersom du oppbevarer batteriet delvis ladet, reduseres levetiden på batteriet.

Ta av og sette på blad

Advarsel! Når du setter på igjen bladsystemet, pass på å sette inn alle delene korrekt som beskrevet under.

Feil montering av bladsystemet kan føre til alvorlige personskader.

Advarsel! Slipp sikkerhetshåndtaket for å slå gressklipperen av, vent til bladet stopper og ta ut sikkerhetsnøkkelen og batteripakken.

- Kapp til et trestykke av 2x4 plank (31) (omtrent 610 mm lang (2 fot) for å holde bladet fra å rotere når du tar ut bolten (32).
- Bruk hansker og tilfredsstillende øyebeskyttelse.
- Legg gressklipperen på siden. Vær forsiktig med de skarpe kantene på bladet. Plasser trestykket og skru ut bolten en 1/2" nøkkel (33) som vist i figur W.
- Ta av bolten og skiven (34), trekk av bladet (35) som vist i figur X. Viften (36) skal ikke tas av. Undersøk alle deler for skader og bytt ut hvis det trengs.
- Bladet kan bare settes på viften i en retning. For å sette på igjen, rett inn det D-formede hullet i bladet med den D-formede knasten på viften, pass på at skriften på bladet skal peke bort fra gressklipperen.
- For å kunne stramme godt, sett trestykket som vist i figur Y for å holde bladet fra rotasjon. Skyv bolten gjennom skiven og skru fast bolten. Trekk til med nøkkelen.

Slipe bladet

Hold bladet skarpt for å oppnå best mulig resultat. Et sløvt blad klipper ikke gresset rent. Bruk tilfredsstillende øyebeskyttelse når du demonterer, sliper og monterer et blad. Pass på at sikkerhetsnøkkelen og batteripakken er tatt ut.

I normale forhold er det vanligvis tilstrekkelig å slippe bladet to ganger i løpet av en klippesong. Sand gjør bladet sløvt meget raskt. Hvis plenen har sandete jordbunn, kan det være nødvendig å slippe oftere.

Merk: Skift straks ut bøyd eller skadete blad.

Når du sliper bladet:

- Sørg for at bladet holder seg balansert.
- Slip bladet i den opprinnelige klippevinkelen.
- Slip klippekantene på begge endene av bladet, og ta vekk like mye materiale på begge ender.

Slik sliper du et blad i en skrustikke (figur Z)

- Pass på at sikkerhetshåndtaket er løsnet, at bladet har stoppet og at batteripakken er tatt ut før du tar av bladet.
- Ta bladet av gressklipperen. Se anvisningene om montering og demontering av bladet.
- Sett bladet (35) i en skrustikke (38).
- Bruk vernebriller og hansker, vær forsiktig så du ikke skjærer deg. Fil forsiktig på bladets egger med en fintannet fil (39) eller et bryne, oppretthold den opprinnelige eggen. Kontroller at bladet er i balanse. Se anvisningene om bladbalansering. Sett bladet på gressklipperen igjen og trekk godt til.

Balansere bladet (figur Z1)

Kontroller balansen på bladet (35) ved å sette senterhullet over en spiker eller en skrutrekker med rund klinge (40), som er horisontalt festet i en skrustikke (38). Dersom en av endene av bladet svinger ned, fil langs eggen på den enden. Bladet er korrekt balansert når ingen ende svinger ned.

Smøring

Det er ikke nødvendig med smøring. Du må ikke olje hjulene. De har hjullagre med overflater i plast som ikke trenger smøring.

Rengjøring

Slipp sikkerhetshåndtaket (2) for å slå av gressklipperen, la bladet stoppe og ta så ut sikkerhetsnøkkelen. Bare bruk mild såpe og en fuktig klut til å rengjøre gressklipperen. Rengjør gressklipperen for avklipp som kan ha samlet seg på undersiden. Etter flere gangers bruk, kontroller at alle utsatte fester er stramme.

Forhindre rust

Kunstgjødsel og andre hagekjemikalier inneholder stoffer som fører til at metaller rustet. Hvis du klipper i områder hvor det er blitt brukt kunstgjødsel eller kjemikalier, bør gressklipperen straks rengjøres på følgende måte: Slipp sikkerhetshåndtaket (2) for å slå gressklipperen av, og ta ut sikkerhetsnøkkelen. Tørk alle utsatte deler med en fuktig klut.

Vedlikehold

BLACK+DECKER-apparatet/verktøyet med ledning/batteri er laget for å brukes over lang tid med et minimum av vedlikehold. Verktøyet/apparatet er avhengig av riktig stell og regelmessig rengjøring for å fungere som det skal til enhver tid.

Laderen krever ikke annet vedlikehold enn regelmessig rengjøring.

Advarsel! Før du utfører vedlikehold på elektriskdrevet/batteridrevet elektroverktøy:

- Slå av apparatet/verktøyet og trekk ut støpselet.
- Eller la batteriet gå helt tomt hvis det er innebygd, og slå deretter av.
- Fjern laderen fra stikkkontakten før du rengjør den. Laderen krever ikke annet vedlikehold enn regelmessig rengjøring.
- Rengjør ventilasjonsåpningene i verktøy/apparat og lader jevnlig med en myk børste eller tørr klut.
- Rengjør motorhuset regelmessig med en fuktig klut. Ikke bruk slipende eller løsemiddelbaserte rengjøringsmidler.
- Bruk et butt skraperedskap regelmessig for å fjerne gress og jord fra undersiden av vernet.

Feilsøking

Hvis apparatet ikke fungerer som det skal, følger du instruksjonene nedenfor. Hvis problemet ikke løses, kontakter du ditt lokale BLACK+DECKER-serviceverksted.

Advarsel! Før du fortsetter, slipper du sikkerhetshåndtaket for å slå gressklipperen av, venter til bladet stopper og tar ut sikkerhetsnøkkelen

Problem	Mulig løsning
Gressklipperen vil ikke gå når sikkerhetshåndtaket er aktivert.	Kontroller at sikkerhetsnøkkelen er på plass og satt ordentlig inn, og at startknappen er trykt helt ned, for du drar i sikkerhetshåndtaket. Slipp sikkerhetshåndtaket for å slå gressklipperen av. Ta ut sikkerhetsnøkkelen og batteripakken, sru gressklipperen og kontroller at bladet kan rotere fritt. Er batteriet ladet helt opp? Plugg inn laderen, og vent til det grønne lyset tennes
Motoren stopper under klipping.	Slipp sikkerhetshåndtaket for å slå gressklipperen av. Ta ut sikkerhetsnøkkelen og batteripakken. Legg gressklipperen på siden, og kontroller om bladet kan bevege seg fritt. Hev hjulenes klippehøyde til høyeste posisjon, og start gressklipperen. Kontroller at batterihullet er rent for avfall, og at det er riktig tilkoblet. Er batteriet ladet helt opp? Trykk på ladeknappen. Ikke overbelast gressklipperen. Senk farten, eller hev klippehøyden.
Gressklipperen går, men klippeytelsen er ikke tilfredsstillende eller den klipper ikke hele plenen.	Er batteriet ladet helt opp? Trykk på ladeknappen. Slipp sikkerhetshåndtaket for å slå gressklipperen av. Ta ut sikkerhetsnøkkelen og batteripakken. Legg gressklipperen på siden og kontroller: <ul style="list-style-type: none"> At bladet er skarpt – hold bladet skarpt. Om undersiden og utmatningen er tilstoppet. Innstillingen av hjulhøyden kan være for lav for gressforholdene. Hev klippehøyden.
Det er unormalt tungt å skyve gressklipperen.	Slipp sikkerhetshåndtaket for å slå gressklipperen av. Ta ut sikkerhetsnøkkelen og batteripakken. Hev klippehøyden for å hindre at gressklipperen sleper i gresset. Kontroller at alle hjul roterer fritt
Gressklipperen bråker unormalt og vibrerer.	Slipp sikkerhetshåndtaket for å slå gressklipperen av. Ta ut sikkerhetsnøkkelen og batteripakken. Legg gressklipperen på siden, og kontroller at bladet ikke har blitt bøyd eller skadet. Hvis bladet er skadet, skifter du det ut med et nytt blad fra BLACK+DECKER. Hvis gressklipperens underside er skadet, leverer du inn gressklipperen til et autorisert BLACK+DECKER-servicenter. Hvis det ikke er noen synlig skade på bladet og gressklipperen fremdeles vibrerer: <ul style="list-style-type: none"> Slipp sikkerhetshåndtaket for å slå gressklipperen av. Ta ut sikkerhetsnøkkelen og batteripakken. Demonter hele bladmodulen som beskrevet i avsnittet "Ta av og sette på bladet". Fjern avfall og rens alle delene. Sett på igjen alle delene som beskrevet i avsnittet "Ta av og sette på bladet". Hvis gressklipperen fremdeles vibrerer, leverer du inn gressklipperen til et autorisert BLACK+DECKER-servicenter.
Batteriladerens LED-lys er ikke på.	Sjekk kontaktkoblingen. Bytt ut laderen.

Problem	Mulig løsning
Gressklipperen samler ikke opp gresset.	Utmatningen er tilstoppet. Slipp sikkerhetshåndtaket for å slå gressklipperen av. Ta ut sikkerhetsnøkkelen og batteripakken. Fjern gress fra utmatningen. Hev hjulenes klippehøyde for å klippe mindre gress. Gressoppsamleren er full. Tøm gressoppsamleren oftere.

Miljøvern



Separat avfallshåndtering. Produkter og batterier merket med dette symbolet skal ikke kastes i vanlig husholdningsavfall.

Produkter og batterier inneholder materialer som kan gjenbrukes eller gjenvinnes for å redusere behovet for nye råmaterialer. Vennligst lever elektrisk utstyr og batterier til gjenbruk i henhold til lokale regler. Mer informasjon finner du på www.2helpU.com

Tekniske data

CLMA4825L2 H1		
Inngangsspenning	V _{DC}	36V
Hastighet uten belastning	min ⁻¹	2900
Vekt	kg	nettovekt 21,24KG brutto 25,95KG
Batteri		BL2536
Spenning	V _{DC}	36
Kapasitet	Ah	2,5
Type		Li-Ion
Lader		90616337-xx
Inngangsspenning	V _{AC}	230
Utgangsspenning	V _{DC}	36
Strøm	mA	1300
Omtrentlig ladetid	min	110

Vektet vibrasjonsverdi for hånd/arm:
= < 0,5 m/s², usikkerhet (K) = 1,5 m/s².

L_{PA} (lydtrykk) 75 dB(A)
usikkerhet (K) = 3 dB(A)

**EU-samsvarserklæring
MASKINERIDIREKTIV
DIREKTIV FOR UTENDØRSSTØY**



CLMA4825L2 Autosense gressklipper

Black & Decker erklærer at disse produktene som er beskrevet under «Tekniske data», er i samsvar med:

EN60335-1:2012+A11:2014+A13:2017, EN60335-2-77:2010

2000/14/EF, gressklipper, L < 50 cm, vedlegg VI,

DEKRA Sertifikasjon B.V. Meander 1051 / P.O. Box 5185
6825 MJ ARNHEM / 6802 ED ARNHEM, Netherlands Notified
Body ID No.: 0344

Nivå for akustisk effekt i henhold til 2000/14/EU (artikkel 12, vedlegg III, L ≤ 50 cm):

L_{WA} (målt lydeffekt) 89 dB(A)

usikkerhet (K) = 3 dB(A)

L_{WA} (garantert lydeffekt) 96 dB(A)

Disse produktene er også i samsvar med direktiv 2006/42/EC, 2014/30/EU og 2011/65/EU.

Hvis du ønsker mer informasjon, kan du kontakte Black & Decker på adressen nedenfor eller se baksiden av bruksanvisningen.

Undertegnede er ansvarlig for utarbeidelsen av den tekniske dokumentasjonen og gir denne erklæringen på vegne av Black & Decker.

R. Laverick
Director of Engineering
Black & Decker Europe, 210 Bath Road, Slough,
Berkshire, SL1 3YD
Storbritannia
18.12.2018

Garanti

Black & Decker er trygg på kvaliteten av produktene sine og tilbyr en 24 måneders garanti fra kjøpsdato. Denne garantierklæringen kommer i tillegg til dine lovbestemte rettigheter og er ikke i konflikt med disse. Garantien er gyldig innen områdene tilhørende medlemslandene i den Europeiske Union (EU) og det Europeiske Frihandelsrådet (EFTA).

For å ta garantien i bruk må kravet være i samsvar med kjøpsbetingelsene fra Black&Decker og du må vise kjøpskvittering til forhandleren eller til et autorisert serviceverksted. Betingelsene for Black&Deckers 2 års garanti og adressen til din nærmeste autoriserte serviceverksted kan du finne på internett under www.2helpU.com, eller ved å kontakte ditt lokale Black & Decker kontor, adressen er angitt i denne bruksanvisningen.

Besøk våre nettsider på www.blackanddecker.no for å registrere ditt nye Black & Decker-produkt og for å få informasjon om nye produkter og spesialtilbud

Tilsigtet brug

Din BLACK+DECKER CLMA4825L2 autosense plæneklipper er designet til græsslåning. Dette apparat er kun beregnet til privat brug.

Sikkerhedsinstruktioner

Advarsel! Ved anvendelse af ledningsfri apparater skal grundlæggende sikkerhedsforholdsregler inkl. nedenstående altid følges, så risikoen for brand, elektrisk stød, personskade og materiel skade undgås.

Advarsel! Sikkerhedsreglerne skal følges ved brug af maskinen. Læs denne vejledning, før du bruger maskinen, af hensyn til din egen og omkringståendes sikkerhed. Gem vejledningen til senere brug.

- Læs hele vejledningen omhyggeligt, før du bruger apparatet.
- Den tilsigtede brug er beskrevet i denne vejledning. Brugen af ekstraudstyr eller tilbehør eller udførelse af andet arbejde med dette apparat end det, der anbefales i denne vejledning, kan udgøre en risiko for personskade.
- Opbevar denne vejledning til senere brug.

Brug af apparatet

Vær altid opmærksom ved brugen af apparatet.

- Dette apparat må ikke bruges af børn eller svagelige personer uden opsyn.
- Apparatet må ikke bruges som legetøj.
- Lad ikke børn eller dyr komme i nærheden af arbejdsområdet eller røre ved apparatet eller strømforsyningsledningen.

- ◆ Vær meget opmærksom, når apparatet benyttes i nærheden af børn.
- ◆ Apparatet må kun bruges på tørre steder. Lad ikke apparatet blive vådt.
- ◆ Apparatet må ikke nedsænkes i vand.
- ◆ Kabinettet må ikke åbnes.
Der er ingen dele indeni, der kan serviceres af brugeren.
- ◆ Brug ikke apparatet i eksplosive omgivelser, f.eks. hvor der er brændbare væsker, gasser eller støv.
- ◆ For at reducere risikoen for beskadigelse af stik og ledninger må du aldrig trække i ledningen for at tage stikket ud af en stikkontakt.
- ◆ Få beskadigede eller defekte dele repareret eller udskiftet på et autoriseret værksted.
- ◆ Forsøg aldrig at fjerne eller udskifte dele ud over dem, der er beskrevet i denne vejledning.
- ◆ Vær forsigtig under justering af plæneklipperen for at forhindre, at fingre fanget mellem klinger/dele i bevægelse og faste dele på maskinen.
- ◆ Vær under servicering af klingerne opmærksom på, at selvom strømmen er afbrudt, kan klingerne stadig bevæge sig.

Yderligere sikkerhedsvejledning for plæneklippere

- ◆ Hold godt fast i håndtaget med begge hænder, når du bruger plæneklipperen.
- ◆ Hvis det bliver nødvendigt at vippe plæneklipperen, skal du have begge hænder i arbejdsstilling, mens den vipper. Hold begge hænder i arbejdsstilling, til apparatet står sikkert på jorden igen.
- ◆ Lyt aldrig til radio eller musik i hovedtelefoner, mens du bruger plæneklipperen.
- ◆ Juster aldrig hjulenes højde, mens motoren kører, eller mens sikkerhedsnøglen sidder i.
- ◆ Slip aktiveringsbøjlen for at slukke for plæneklipperen, hvis den står stille, vent indtil klingens er stoppet og tag sikkerhedsnøglen ud, før blokeringer i udkastet eller under skjoldet fjernes.

Efter brug

- ◆ Opbevar apparatet på et tørt, godt ventileret sted uden for børns rækkevidde, når det ikke er i brug.
- ◆ Børn må ikke have adgang til opbevaringsapparater.
- ◆ Når apparatet opbevares eller transporteres i et køretøj, skal det anbringes i bagagerummet eller fastgøres for at forhindre bevægelse som følge af pludselige ændringer i hastighed eller retning.

Eftersyn og reparationer

- ◆ Kontroller apparatet for beskadigede eller defekte dele før brug. Se efter knækkede dele, skader på kontakter og eventuelle andre tilstande, der kan påvirke apparatets funktion.
- ◆ Brug ikke apparatet med beskadigede eller defekte dele.

- ◆ Hold hænder og fødder væk fra skæreo området.
- ◆ Hold klingerne skarpe. Brug altid beskyttelseshandsker ved håndtering af plæneklipperklingen.
- ◆ Hvis du bruger græsopsamleren, kontrollér den jævnligt for slid og beskadigelse. Udskift den af hensyn til din egen sikkerhed, hvis den er meget slidt.
- ◆ Vær yderst forsigtigt, når du bakker eller trækker plæneklipperen imod dig selv.
- ◆ Sæt ikke hænder eller fødder ind under plæneklipperen. Hold altid afstand til udkaståbningen.
- ◆ Ryd det område, hvor plæneklipperen skal bruges, for genstande såsom sten, pinde, ståltråd, legetøj, ben etc., som klingens kan kaste rundt med. Genstande, der rammes af klingens, kan forårsage alvorlig personskade. Bliv bag håndtaget, når motoren kører.
- ◆ Kør ikke med plæneklipperen med bare fødder eller iført sandaler. Bær altid solidt fodtøj.
- ◆ Træk ikke plæneklipperen baglæns, medmindre det er strengt nødvendigt. Se altid ned og bag dig, når du trækker plæneklipperen baglæns.
- ◆ Ret aldrig det udkastede materiale mod andre. Undgå af kaste materiale ud mod en mur eller en forhindring. Materialet kan springe tilbage mod brugeren. Slip aktiveringsbøjlen for at slukke plæneklipperen og stoppe klingens, når grusbelagte flader passerer.
- ◆ Brug ikke plæneklipperen, før græsopsamleren, udkastskærmen, den bageste skærm eller andre sikkerheds- og beskyttelsesanordninger er monteret og fungerer. Kontroller jævnligt, at alle skærme og sikkerheds- og beskyttelsesanordninger er i god stand og fungerer korrekt, så de opfylder deres formål. Udskift beskadigede skærme og andre sikkerhedsanordninger, før maskinen tages i brug igen.
- ◆ Efterlad aldrig plæneklipperen uden opsyn, mens motoren kører. Tag altid sikkerhedsnøglen ud, hvis plæneklipperen efterlades uden opsyn.
- ◆ Slip altid aktiveringsbøjlen for at stoppe motoren, vent til klingens står helt stille, og tag sikkerhedsnøglen ud, før du rengør plæneklipperen, afmonterer græsposen, fjerner blokeringer under udkastskærmen, forlader plæneklipperen eller foretager justeringer, reparationer eller inspektioner.
- ◆ Brug kun plæneklipperen i dagslys eller ved godt kunstigt lys, hvor genstande i klingens bane er tydeligt synlige fra plæneklipperens betjeningsområde.
- ◆ Kør ikke med plæneklipperen under indflydelse af alkohol eller narkotika, eller hvis du er træt eller syg. Vær altid opmærksom, hold øje med, hvad du laver og brug din sunde fornuft.
- ◆ Undgå farlige omgivelser. Brug aldrig plæneklipperen i fugtigt eller vådt græs, eller når det regner. Sørg altid for godt fodfæste; gå, løb ikke.

- ◆ Slip aktiveringsbøjlen, vent til klingens stopper og tag sikkerhedsnøglen ud, hvis plæneklipperen begynder at vibrere unormalt. Kontroller derefter omgående årsagen. Vibration er generelt en advarsel om et problem; se fejlsøgningsvejledningen for at få hjælp ved unormal vibration.
- ◆ Bær altid korrekt øjen- og åndedrætsbeskyttelse, når du bruger plæneklipperen.
- ◆ Brugen af ekstraudstyr eller tilbehør, som ikke anbefales til brug sammen med denne plæneklipper, kan være farligt. Brug kun ekstraudstyr, der er godkendt af BLACK+DECKER.
- ◆ Stræk dig ikke for langt, mens du bruger plæneklipperen. Sørg altid for at have sikkert fodfæste og balance, når du bruger plæneklipperen.
- ◆ Arbejd på tværs af skråninger, aldrig op og ned. Vær især forsigtig, når du ændrer retning på skråninger.
- ◆ Hold øje med huller, hjulspor, sten og andre skjulte genstande. Du kan skride eller falde i ujævnt terræn og komme til skade. Højt græs kan dække over forhindringer.
- ◆ Slå ikke vådt græs eller græs på meget stejle skråninger. Et dårligt fodfæste kan få dig til at skride eller falde, så du kommer til skade.
- ◆ Slå ikke græs i nærheden af skrænter, grøfter eller volde. Du kan miste fodfæstet eller balancen.
- ◆ Lad altid plæneklipperen køle ned, inden den sættes væk.

Andres sikkerhed

- ◆ Dette apparat kan bruges af børn i en alder fra 8 år og derover og personer med nedsatte fysiske, sensoriske eller mentale evner eller manglende erfaring og viden, hvis det sker under overvågning, eller de vejledes i brugen af apparatet på en sikker måde, og de forstår de farer, som er forbundet dermed.
- ◆ Børn må ikke lege med apparatet. Rengøring og brugervedligeholdelse må ikke foretages af børn uden opsyn.

Restrisici

Der kan opstå yderligere restrisici under brugen af værktøjet, som ikke kan medtages i vedlagte sikkerhedsadvarsler. Disse risici kan opstå pga. forkert anvendelse, langvarig brug etc.

Selv ved overholdelse af relevante sikkerhedsforskrifter og anvendelse af sikkerhedsudstyr kan visse restrisici ikke undgås. Disse omfatter:

- ◆ Tilskadekomst forårsaget af berøring af roterende/bevægelige dele.
- ◆ Tilskadekomst forårsaget af udskiftning af dele, klinger eller tilbehør.
- ◆ Tilskadekomst forårsaget af langvarig brug af et værktøj. Husk at holde pause jævnlige ved brug af et værktøj i længere tid.
- ◆ Hørenedsættelse.
- ◆ Sundhedsrisici forårsaget af indånding af støv, der genereres ved brug af værktøjet (eksempel: arbejde med træ, især, eg, bøg og MDF.)

Advarselssymboler

Følgende advarselssymboler findes på apparatet sammen med datokoden:



Advarsel! Læs vejledningen inden brug.



Udsæt ikke apparatet for regn eller høj fugtighed.



Pas på skarpe klinger. Kniven fortsætter med at rotere, efter at maskinen er slukket. Tag altid sikkerhedsnøglen ud, før du rengør plæneklipperen, afmonterer græsposen, fjerner blokeringer under udkastskærmen, forlader plæneklipperen eller foretager justeringer, reparationer eller inspektioner.



Pas på flyvende genstande. Hold omkringstående på afstand af klippeområdet.



Brug øjeværn



Direktiv 2000/14/EF garanteret lydeffekt.

Yderligere sikkerhedsvejledninger for batterier og ladere

Batterier

- ◆ Forsøg aldrig at åbne den af en eller anden grund.
- ◆ Batteriet må ikke udsættes for vand.
- ◆ Batteriet må ikke udsættes for varme.

- ◆ Må ikke opbevares på steder, hvor temperaturen kan overstige 40°C.
- ◆ Foretag kun opladning ved omgivelsestemperaturer mellem 10 °C og 40 °C.
- ◆ Brug kun den oplader, der fulgte med apparatet/værktøjet, til opladning. Brug af den forkerte oplader kan medføre elektrisk stød eller overophedning af batteriet.
- ◆ Ved bortskaffelse af batterierne, skal du følge anvisningerne i afsnittet "Beskyttelse af miljøet".
- ◆ Undgå at beskadige/deformere batteripakken ved at punktere den eller slå på den, da dette kan forårsage risiko for tilskadekomst eller brand.
- ◆ Beskadigede batterier må ikke oplades.
- ◆ Under ekstreme forhold kan der forekomme batterilækage. Hvis du bemærker væske på batterierne, skal du omhyggeligt tørre den af med en klud. Undgå kontakt med huden.
- ◆ I tilfælde af kontakt med hud eller øjne skal nedenstående instruktioner følges.

Advarsel! Batterivæsken kan forårsage personskader eller materielle skader. I tilfælde af kontakt med huden skylles straks med vand. Søg læge, hvis der opstår rødme, smerte eller irritation. Skyl straks med rent vand, og søg læge i tilfælde af kontakt med øjnene.



Forsøg ikke at oplade beskadigede batterier.

Opladere

Laderen er udviklet til en specifik spænding. Kontroller altid, at netspændingen svarer til spændingen på typeskiltet.

Advarsel! Forsøg aldrig at erstatte laderenheden med et almindeligt netstik.

- Brug kun din BLACK+DECKER oplader til at oplade batteriet i det apparat/værktøj, som den blev leveret sammen med. Andre batterier kan eksplodere og forårsage personskader og materielle skader.
- Forsøg aldrig at oplade ikke-genopladelige batterier.
- Hvis netledningen beskadiges, skal den udskiftes af producenten eller et autoriseret BLACK+DECKER-værksted, så farlige situationer undgås.
- Opladeren må ikke udsættes for fugt.
- Opladeren må ikke åbnes.
- Undersøg ikke opladeren.
- Apparatet/værktøjet/batteriet skal anbringes et sted med god udluftning, når det oplades.



Opladeren er kun beregnet til indendørs brug.



Læs brugervejledningen, før værktøjet tages i brug.

Elektricitet og sikkerhed



Laderen er dobbelt isoleret. Derfor er en jordledning ikke nødvendig. Kontroller altid, at netspændingen svarer til spændingen på typeskiltet. Forsøg aldrig at erstatte laderenheden med et almindeligt netstik.

- Hvis netledningen beskadiges, skal den udskiftes af producenten eller et autoriseret BLACK+DECKER-værksted, så farlige situationer undgås.

Opladning af batteriet (fig. A)

Batteriet skal oplades inden ibrugtagningen, og når det ikke leverer strøm nok til opgaver, der tidligere kunne udføres ubesværet.

Batteriet kan blive varmt under opladningen. Det er normalt og ikke tegn på problemer.

Advarsel! Oplad ikke batteriet ved omgivende temperaturer på under 10 °C eller over 40 °C. Den anbefalede opladningstemperatur er ca. 24 °C.

Bemærk: Opladeren oplader ikke et batteri, hvis dets temperatur er under ca. 10° C eller over 40° C.

Batteriet bør blive siddende i laderen, som automatisk begynder opladningen, når batteriet opvarmes/afkøles.

- Indsæt opladeren i en passende udgang, før batteripakken indsættes.
- Indsæt batteripakken i opladeren.



Den grønne LED blinker for at vise, at batteriet oplades.



Færdiggørelsen beregning indikeres ved den grønne LED kontinuerligt tilbage. Pakken er fuldt opladet og kan bruges på dette tidspunkt eller venstre i lasten

Advarsel! Genoplad afladede batterier så hurtigt som muligt efter brug, da batteriets levetid ellers kan blive stærkt formindsket.

Fejlfinding af opladeren

Denne oplader er udviklet til at registrere visse problemer, der kan opstå med batteripakker eller strømkilden. Problemerne angives med et LED blink i forskellige mønstre.

Dårligt batteri



Opladeren kan registrere et svagt eller beskadiget batteri. Det røde LED blinker i det mønstre, der er angivet på mærkaten. Hvis du ser dette dårlige batteriblinkmønster, forsæt ikke med at oplade batteriet. Returnér det til et servicecenter eller til et indsamlingssted til genbrug

Varm/kold pakkeforsinkelse



Når opladeren registrerer et batteri, der er alt for varmt eller alt for koldt, starter den automatisk en varm/kold pakkeforsinkelse og indstiller opladningen, indtil batteriet er blevet normaliseret. Efter dette er sket, skifter opladeren automatisk til pakkeopladningsfunktionen. Denne funktion sikrer maksimal batterilevetid. Det røde LED blinker i det mønstre, der er angivet på mærkaten, når varm/kold pakkeforsinkelsen registreres.

Lad batteriet blive siddende i opladeren

Du kan lade batteripakken sidde i laderen med tændt lysdiode, så længe det ønskes. Opladeren holder batteripakken klar og fuldt opladet.

Funktioner

Dette apparat leveres med nogle af eller alle de følgende komponenter.

- 1 Omskifterboks
- 2 Båndhåndtag
- 3 Øverste håndtag
- 4 Nederste håndtag
- 5 Fastgørelsesgreb til øverste håndtag (2)
- 6 Fastgørelsesgreb til nederste håndtag (2)
- 7 Justeringsgreb til skærehøjde
- 8 Græsopsamlingspose
- 9 Dæksel til bagdør
- 10 Batteriåbning
- 11 Opbevaringsrum til batteri
- 12 Bærehåndtag
- 13 EdgeMax™

Isætning og udtagning af batteripakke (fig. B - C)

- tryk på udløserknappen (14) til batterirumsdækslet og træk batterirumsdækslet (15) op for at se batterirummet (10) som vist i figur B.
- Skub batteriet (16) ind i batterirummet, indtil det er helt på plads, og du hører et tydeligt klik (figur C). Sørg for at batteripakken er helt skubbet ind og låst i position.
- Luk dækslet til batterirummet. Kontrollér at dækslet er låst, før du starter plæneklipperen.

Sådan udtages batteripakken (fig. D)

- Åbn dækslet til batterirummet (15).
- Tryk batteriets udløserknop (17) ned på batteripakken og træk batteripakken ud af værktøjet som vist i figur D.

Opbevaring af batteri

Der kan opbevares et ekstra batteri i batteriopbevaringsrummet (11).

- Løft dækslet til opbevaringsrummet og skub batteriet ind i rummet som vist i figur E. Batteriet i dette rum vil ikke aktivere plæneklipperen.
- Skru hurtigudløserklemmerne på øverste håndtag (7) gennem det nederste håndtag ind i klemmestrikkene (20). Når hurtigudløserklemmerne på øverste håndtag er skruet halvt i, lukkes hurtigudløserklemmerne (fig. G). Hvis forbindelsen mellem håndtaget og hurtigudløserklemmerne er for stram eller for løs, justeres dybden af hurtigudløserklemmerne, og de lukkes igen, indtil tænderne er helt lukkede.

Samling

Advarsel! Før montering skal det sikres, at værktøjet er slukket, og at sikkerhedsnøglen og batteriet er fjernet.

Montering af det nederste håndtag (fig. F)

- løft det nederste håndtag (4) på plads og kontroller at pilen (18) nederst på plæneklipperen rettes ind efter 1, 2 eller 3 på nederste på håndtaget (19) (indsat i figur F).

Bemærk! Kontroller at hver side af det nederste håndtag er indstillet til det samme nummer. Pilen skal være rettet ind efter 1, 2 eller 3 for drift.

- Luk højdejusteringsgrebene på håndtag (7) som vist i figur F. Når du lukker hvert af dem, så sørg for tænderne er i indgreb som vist i figur G.
- Hvis forbindelsen mellem håndtaget og grebet er for tæt eller for løst, åbn grebet og juster grebets dybde ved at dreje på grebet. Luk det igen, indtil tænderne er helt sammenklappede. og hver enkelt greb forbliver sikkert lukket.

Montering af det øverste håndtag (fig. H)

- Fjern fastgørelsesgrebene til det øverste håndtag (5) samt møtrikker (20), og spændeskiver (21) fra håndtaget.
- Ret hullerne i bunden af det øverste håndtag (3) ind efter hullerne øverst på det nederste håndtag (4).

Bemærk: Kontroller at ledningen findes foran på begge håndtagene. Hvis det ikke er det, kan det resultere i sammenfiltring af ledningen, der kan gøre det besværligt, når du hurtigt vil sætte plæneklipperen (fig. I) til side

- Skub fra den udvendige side på det øverste håndtag (3), boltene på grebet gennem hullerne.
- Skub spændeskiven over boltene på grebet og saml hele enheden løst med møtrikken.

- ◆ Drej det øverste håndtag til driftspositionen.
- ◆ Luk grebet. Hvis det er for stramt eller for løst, åbn grebet og møtrikken for at justere fastspændingen. Kontroller grebene ved at lukke dem. De skal være tilstrækkeligt stramme, så håndtagene holdes fast, men samtidig så løse, at håndtagene kan lukkes helt. Juster ved at åbne grebet og dreje møtrikken, indtil håndtagene sidder fast.

Fastgørelse af motorkablet (fig. J)

Advarsel! Fastgør kablet, så det ikke bliver strakt eller klemt i håndtagenes led under brug eller foldning. Dette kan beskadige ledningen.

Motorkablet (22) skal fastgøres til håndtagene ved hjælp af kabelfastholdelsesordninger (23), der allerede er fastgjort til håndtaget til at klemme kablet til håndtaget:

- ◆ Sæt håndtagene i driftsposition, se afsnittet "Fastgørelse af nederste håndtag".
- ◆ Rul kablet op foran det nederste og det øverste håndtag.
- ◆ Træk kabelfastholdelsesordningen tilbage.
- ◆ Skub motorkablet under clipsen og kontroller, at den holdes fuldstændigt på plads af fastholdelsesordningen.

Pakning i poser

- ◆ Kontroller at sideudgangsfastgørelsen (27) (fig. M) og klipningsindsatsen (26) (fig. L) er fjernet fra plæneklipperen før pakning i poser.
- ◆ Løft bagdørdsdæksel (9) og placer græsopsamlingsposen (8) på plæneklipperen, så posekroge (24) hviler på øsknerne (25) som vist i figur K. Sænk derefter bagdørdsdækslet.

Klipning

- ◆ Kontroller at sideudgangsfastgørelsen (27) og opsamlingsposen (8) ikke er fastgjorte.
- ◆ Løft bagdørdsdækslet (9) og skub klipningsindsatsen (26) helt ind i plæneklipperen som vist i figur L.
- ◆ kontroller at bagdørdsdækslet lukker helt til før start af plæneklipperen.

Sideudgang

- ◆ Kontroller at opsamlingsposen (8) er fjernet.
- ◆ Løft bagerste flap (9) og skub klipningsindsatsen (26) helt ind i plæneklipperen som vist i figur L.
- ◆ Løft sideflap (28) og fastgør sideudgangsfastgørelsen (27) på plæneklipperen som vist i figur M.
- ◆ Slip sideflappen og kontroller, at fastgørelsen holdes på plads, før der tændes for plæneklipperen som vist i indsatsen på fig M.

Funktion

Advarsel! Lad plæneklipperen arbejde i dens eget tempo. Det må ikke overbelastes.

Justering af håndtagshøjde (fig. N)

- ◆ Åbn begge fastgørelsesgreb på nederste håndtag (6).
- ◆ Juster håndtaget, så pilen (18) nederst på plæneklipperens kommer på linje med 1, 2 eller 3 nederste på håndtaget (19). kontroller at håndtaget er indstillet til det samme tal på begge sider af plæneklipperen.
- ◆ Luk begge greb og kontroller, at håndtaget låst.

Justering af plæneklipperens højde (fig. O)

Klippehøjden justeres med det midterste højdejusteringsgreb, og der er 7 positioner at vælge imellem.

Bemærk: Hvis du ikke er sikker på, hvilken klippehøjde, du skal vælge, start klipningen med højdeindstillingsgreb (7) i position 7 og juster højden ned efter behov, som vist i figur O. Sådan indstilles klippehøjden:

- ◆ Træk plæneklipperens højdejusteringsgreb ud af låsehaket.
- ◆ Træk grebet mod apparatets bagside for at sænke klippehøjden.
- ◆ Træk grebet mod apparatets forside for at hæve klippehøjden.
- ◆ Skub grebet til højdejustering ind i en af de 7 højdeplaceringer.

Sikkerhedsnøgle

Advarsel! For at forhindre utilsigtet opstart eller uautoriseret brug af din trådløse plæneklipper, er en aftagelig sikkerhedsnøgle (29) blevet indarbejdet i designet af din plæneklipper. Plæneklipperen vil blive frakoblet, hvis sikkerhedsnøglen fjernes fra plæneklipperen.

Bemærk: Sikkerhedsnøglen har et hul i midten for at give mulighed for opbevaring på et søm utilgængeligt for børn. Fastgør ikke sikkerhedsnøglen til plæneklipperen.

- ◆ Sæt sikkerhedsnøglen (29) ind i omskifterhuset, indtil den er helt på plads inde i huset som vist i figur P. Plæneklipperen er nu driftsklar.
- ◆ Din plæneklipper er udstyret med en speciel on-off omskifterboks. Du starter plæneklipperen ved at skubbe til knappen (30) på omskifterboksen (1), og derefter trække i båndhåndtaget (2) til håndtaget som vist i figur Q.
- ◆ Du slukker for plæneklipperen ved at udløse båndhåndtaget.

Advarsel! Forsøg aldrig at fastlåse en kontakt eller båndhåndtag i tændt position.

Bemærk: Når båndhåndtaget er vendt tilbage til sin oprindelige position, aktiveres den "automatiske bremsemekanisme". Motoren bremser elektrisk, og plæneklipperens klinge holder op med at rotere i løbet af 3 sekunder eller mindre.

Overbelastning af plæneklipper

For at undgå skader på grund af overbelastning, skal du ikke forsøge at fjerne alt for meget græs på én gang. Sæt farten ned, eller forøg klippehøjden.

EdgeMax™

MedEdgeMax™ (13) kan du klippe græsset helt op til kanten af en mur eller et hegn (fig. R).

Med EdgeMax™ kan du klippe græsset præcist helt op til kanten af din plæne (fig. R1).

- ◆ Med plæneklipperen parallelt med kanten på din græsplæne, skubplæneklipperen langs kanten af plænen. kontroller, at EdgeMax™ befinder sig lidt over kanten på din græsplæne (fig. R1).

Bemærk: Når sideudgangsfastgørelsen er fastgjort kan EdgeMax™ kun bruges på højre side af plæneklipperen.

Auto sense™ teknologi

Auto sense™ teknologi bestemmer tykkelsen af græs og foretager strømjusteringer i overensstemmelse hermed. Ved tykkere græs bruger plæneklipper mere strøm, mens de sænker forbruget ved lettere græs for at spare på batteriet og dermed forlænge driftstiden

Opbevaring

Advarsel! Den roterende klinge kan forårsage alvorlig tilskadekomst. Slip båndhåndtaget (2) for at slukke for plæneklipperen og fjern sikkerhedsnøglen, før du løfter, transporterer eller stiller plæneklipperen til side. Opbevar plæneklipperen på et tørt sted.

Advarsel! For at undgå at blive klemt, holde fingrene væk fra området mellem håndtagene, når de foldes ned.

Advarsel! Kontroller at kablet ikke bliver strakt eller klemt i håndtagenes led under foldning. Dette kan beskadige ledningen.

Håndtaget på plæneklipperen kan let og hurtigt foldes sammen for hurtig og bekvem opbevaring.

- ◆ Hold fast i håndtaget, åbn det, men fjern ikke de nederste håndtags fastgørelsesgreb (6) og fold håndtaget til forside af plæneklipperen som vist i figur S.
- ◆ Åbn men fjern ikke det øverste håndtags fastgørelsesgreb (5) og fold det øverste håndtag (3) tilbage over det nederste håndtag (4) som vist i figur T.
- ◆ Plæneklipperen bør være pakket sammen som vist i figur U.

Flytning af plæneklipperen

- ◆ Plæneklipperen kan flyttes ved hjælp af de bekvemme bærehåndtag (12) som vist i figur V. Forsøg **IKKE** at løfte plæneklipperen ved at tage fat i det øverste håndtag (3) eller nederste håndtag (4).

Tip til græsslåning

Advarsel! Kontrollér altid de steder, hvor plæneklipperen skal bruges og fjern alle sten, pinde, ledninger, knogler og andet snavs, som kan blive slynget af de roterende klinger.

Advarsel! Arbejd på tværs af skrånninger, aldrig op og ned. Vær især forsigtig, når du ændrer retning på skrånninger. Slå

ikke græs på meget stejle skrånninger. Sørg altid for et godt fodfæste.

- ◆ Slip båndhåndtaget for at slukke for plæneklipperen, når grusbelagte flader passere (den roterende klinge kan slynge sten ud).
- ◆ Indstil plæneklipperen til den højeste klippehøjde i ujævnt terræn eller i højt ukrudt. Hvis der slås for meget græs på én gang, kan motoren blive overbelastet, så plæneklipperen stopper. Se fejlsøgningsvejledningen.
- ◆ Når græsopsamlingsbrugeren (8) i perioder, hvor græsset vokser hurtigt, kan udgangsåbningen blive tilstoppet. Slip båndhåndtaget for at slukke for plæneklipperen, og fjern sikkerhedsnøglen. Tag opsamleren af og ryst græsset til den bageste ende af posen. Rens også for alt det græs eller snavs, der kan være pakket omkring udgangsåbningen. Udskift græsopsamleren.
- ◆ Hvis plæneklipperen skulle begynde at vibrere unormalt, udløs båndhåndtaget, sluk for plæneklipperen og fjern sikkerhedsnøglen. Kontroller omgæenden for årsagen. Vibration er en advarsel om et problem. Brug ikke plæneklipperen, før den har gennemgået en servicekontrol. Se fejlsøgningsvejledningen i betjeningsvejledningen.
- ◆ Udløs altid båndhåndtaget for at slukke for plæneklipperen, og fjern sikkerhedsnøglen, hvis plæneklipperen efterlades uden opsyn selv i kort tid.

Tip for optimal brug:

- ◆ Sæt farten ned på områder, hvor græsset er meget langt eller tykt.
 - ◆ Undgå græsslåning når græsset er vådt fra regn eller dug eller er-gennemblødt.
 - ◆ Slå plænen hyppigt, især i perioder med kraftig vækst.
- Bemærk:** Det anbefales, at din plæneklipperen genoplades efter brug for at forlænge batteriets levetid. Hyppig opladning vil ikke beskadige dit batteri og vil sikre, at batteriet er fuldt opladet og klar til næste brug. Opbevaring af et ikke fuldt opladet batteri vil forkorte batteriets levetid.

Demontering og montering af klinger

Advarsel! Ved gensamling af klingsystemet kontroller at hver del geninstalleres korrekt som beskrevet nedenfor. Ukorrekt samling af klingsystemet eller andre dele af klingsystemet kan medføre alvorlige personskader.

Advarsel! Udløs båndhåndtaget for at slukke for plæneklipperen, vent til klingen stopper og fjern sikkerhedsnøglen og batteripakken.

- ◆ Skær et stykke på 2x4 træ (31) (ca. 2 fod lang) (610 mm) for at afholde klingen fra at dreje, mens bolten fjernes (32).
- ◆ Bær handsker og ordentlig øjenbeskyttelse.
- ◆ Læg plæneklipperen på siden. Pas på klingens skarpe kanter. Anbring træ og skru bolten af med en 1/2" skrue-nøgle (33) som vist i figur W.

- ◆ Fjern bolt og spændeskive (34), træk klingen (35) af som vist i figur X. Blæseren (36) bør ikke fjernes. Kontroller alle delene for beskadigelse og udskift om nødvendigt.
- ◆ Klingen kan kun fastgøres til blæseren i en retning. Du samler igen ved at rette det d-formede hul på klingens inderside efter blæserens d-formede indlæg og kontrollerer at skrifterne på klingens yderside vender udad væk fra plæneklipperen.
- ◆ For at stramme tilstrækkeligt anbring træstykket som vist i figur Y for at afholde klingens fra at dreje. Skub boltene igennem spændeskiven og skru boltene på plads. Spænd med skrueøglen.

Slibning af klingens

Hold klingens skarp, det giver det bedste resultat. En sløv klinge klipper og snitter ikke græsset ordentligt. Bær ordentlig øjenbeskyttelse, når du afmonterer, sliber eller monterer en klinge. Kontroller at sikkerhedsnøglen og batteripakken er fjernet.

Det er normalt tilstrækkeligt at slibe klingens to gange i sæsonen under normale forhold. Sand gør hurtigt klingens sløv. Hvis der er sandjord i din plæne, kan det være nødvendigt at slibe klingens hyppigere.

Bemærk: Udskrift straks klingens, hvis den bliver bøjet eller beskadiget.

Ved slibning af klingens:

- ◆ Sørg for, at klingens er afbalanceret.
- ◆ Slib klingens i den oprindelige skærevinkel.
- ◆ Slib skærekanten i begge ender af klingens, så der fjernes en lige stor mængde materiale fra begge ender.

Slibning af en klinge i en skruestik (fig. Z)

- ◆ Vær sikker på at båndhåndtaget er udløst, klingens er stoppet og sikkerhedsnøglen og batteripakken er fjernet, før du fjerner klingens.
- ◆ Fjern klingens fra plæneklipperens. Se instruktioner for demontering og montering af klingens.
- ◆ Fastgør klingens (35) i en skruestik (38).
- ◆ Bær korrekt øjenbeskyttelse og handsker og pas på, at du ikke skærer dig selv. Fil forsigtigt klingens skæreflader med en fin tandfil (39) eller slibesten, så den oprindelige skærekant bevares. Kontroller klingens balance. Se instruktionerne for afbalancering af klingens. Udskift klingens på plæneklipperens og spænd den godt fast.

Afbalancering af klinge (fig. Z1)

Kontroller klingens balance (35) ved at placere det midterste hul i klingens over et søm eller en skrueetrækker med rundt skaft (40), fastspændt horisontalt i en skruestik (38). Hvis klingens ender roterer nedad, fil langs den skarpe kant på denne ende. Klingens er korrekt afbalanceret, hvis ingen af enderne falder.

Smøring

Smøring er ikke nødvendigt. Smør ikke hjulene med olie. De har plastiklejer, som ikke kræver smøring.

Rengøring

Udløs båndhåndtaget (2) for at slukke for plæneklipperens, lad klingens stoppe og fjern derefter sikkerhedsnøglen. Brug kun en mild sæbe og en fugtig klud til rengøring af plæneklipperens. Fjern alt afklip der måtte have samlet sig under dækkets underside. Kontroller, at alle udsatte fastgørelsesdele sidder fast, når du har brugt plæneklipperens nogle gange.

Forebyggelse af korrosion

Gødning og andre havekemikalier indeholder stoffer, som øger rustdannelse på metal. Hvis du slår græs i områder, hvor der er anvendt gødning eller kemikalier, skal plæneklipperens rengøres umiddelbart efter brug som følger: Slip båndhåndtaget (2) for at slukke for plæneklipperens, og fjern sikkerhedsnøglen og batteriet. Tør alle udsatte dele af med en fugtig klud.

Vedligehold

Dit BLACK+DECKER-apparat/værktøj med eller uden ledning er beregnet til brug gennem lang tid med et minimum af vedligeholdelse. Fortsat tilfredsstillende drift afhænger af korrekt behandling af apparatet samt regelmæssig rengøring. Laderen kræver ingen vedligeholdelse, men skal rengøres jævnligt.

Advarsel! Før udførelse af nogen form for vedligeholdelse på elværktøj med/uden ledning:

- ◆ Sluk og tag apparatets/værktøjets stik ud af stikkontakten.
- ◆ Eller aflad batteriet helt, hvis det er indbygget, og sluk derefter.
- ◆ Træk laderen ud af stikkontakten, før den rengøres. Laderen kræver ingen vedligeholdelse, men skal rengøres jævnligt.
- ◆ Rengør jævnligt værktøjets/apparatets og laderens ventilationshuller med en blød børste eller en tør klud.
- ◆ Rengør med jævne mellemrum motorhuset med en fugtig klud. Der må ikke bruges skuremidler eller opløsningsmidler.
- ◆ Brug jævnligt en uskarp skraber til at fjerne græs og snavs fra undersiden af afskærmningen.

Problemløsning

Følg vejledningen nedenfor, hvis apparatet ikke synes at fungere korrekt. Hvis dette ikke løser problemet, bedes du kontakte det lokale BLACK+DECKER-værksted.

Advarsel! Udløs båndhåndtaget for at slukke for plæneklipperens, før du fortsætter, vent til klingens stopper og fjern sikkerhedsnøglen

Problem	Mulig løsning
Plæneklipperen virker ikke, når båndhåndtaget aktiveres.	<p>Kontrollér, at sikkerhedsnøglen er blevet installeret og er helt på plads, og at knappen på omskifterhuset er helt trykket ned, inden du trækker i båndhåndtaget.</p> <p>Slip båndhåndtaget for at slukke for plæneklipperens. Fjern sikkerhedsnøglen og batteripakken, læg plæneklipperen på siden, og kontroller, at klingens kan dreje frit.</p> <p>Er batteriet ladet helt op? Tilslut opladeren og vent på, at den grønne lampe lyser</p>
Motoren stopper under slibning.	<p>Slip båndhåndtaget for at slukke for plæneklipperens. Fjern sikkerhedsnøglen og batteripakken. Læg plæneklipperen på siden, og kontroller, at klingens kan dreje frit.</p> <p>Forøg klippehøjden på hjulene til den højeste position, og start plæneklipperen.</p> <p>Kontrollér, at batteriets hulrum er fri for snavs og er korrekt tilsluttet.</p> <p>Er batteriet ladet helt op? Tryk på ladeknappen.</p> <p>Undgå at overbelaste plæneklipperen. Sæt farten ned, eller forøg klippehøjden.</p>
Plæneklipperen kører, men klipper utilfredsstillende eller klipper ikke hele plænen.	<p>Er batteriet ladet helt op? Tryk på ladeknappen.</p> <p>Slip båndhåndtaget for at slukke for plæneklipperens. Fjern sikkerhedsnøglen og batteripakken. Læg plæneklipperen på siden, og kontroller:</p> <ul style="list-style-type: none"> ◆ Klingens for skarphed - hold klingens skarp. ◆ Bunden og udkastet for tilstopning. <p>Hjulhøjdejusteringen kan være indstillet for lavt i forhold til græssets tilstand. Forøg klippehøjden.</p>
Plæneklipperen er for svær at skubbe.	<p>Slip båndhåndtaget for at slukke for plæneklipperens. Fjern sikkerhedsnøglen og batteripakken. Forøg klippehøjden for at reducere maskinens træk i græsset. Kontroller, at alle hjul drejer frit</p>
Plæneklipperen støjer unormalt meget og vibrerer.	<p>Slip båndhåndtaget for at slukke for plæneklipperens. Fjern sikkerhedsnøglen og batteripakken. Læg plæneklipperen på siden, og kontroller, at klingens ikke er bøjet eller beskadiget. Udskift klingens med en ny fra BLACK+DECKER, hvis den er beskadiget. Hvis undersiden af plæneklipperens er beskadiget, skal den indleveres til et autoriseret BLACK+DECKER servicecenter.</p> <p>Hvis der ikke er synlige skader på klingens, men plæneklipperens stadig vibrerer:</p> <ul style="list-style-type: none"> ◆ Slip båndhåndtaget for at slukke for plæneklipperens. ◆ Fjern sikkerhedsnøglen og batteripakken. ◆ Afmonter hele klingesamlingen som beskrevet i afsnittet: "Demontering og montering af klingens." ◆ Fjern alt snavs og rengør hver del. ◆ Udskift hver del som beskrevet i afsnittet: "Demontering og montering af klingens." <p>Hvis plæneklipperens stadig vibrerer, skal den indleveres til et autoriseret BLACK+DECKER servicecenter.</p>
Batteriopladerens LEDs er ikke tændt.	<p>Kontrollér stikforbindelsen.</p> <p>Udskift oplader.</p>

Problem	Mulig løsning
Plæneklipperen samler ikke græsset op.	<p>Udkastet er tilstoppet. Slip båndhåndtaget for at slukke for plæneklipperens. Fjern sikkerhedsnøglen og batteripakken. Fjern græs fra udkastet.</p> <p>Forøg klippehøjden på hjulene for at afkorte klipplængden.</p> <p>Posen er fuld. Tøm posen oftere.</p>

Miljøbeskyttelse



Særskilt bortskaffelse. Produkter og batterier mærket med dette symbol må ikke bortskaffes sammen med normalt husholdningsaffald.

Produkter og batterier indeholder materialer, der kan blive gendannet eller genanvendt og således reducere efterspørgslen efter råvarer. Genbrug venligst elektriske produkter og batterier i henhold til lokale regulativer. Yderligere informationer findes på www.2helpU.com

Tekniske data

CLMA4825L2 H1		
Indgangsspænding	V _{DC}	36V
Ubelastet hastighed	min ⁻¹	2900
Vægt	kg	netto 21,24KG brutto 25,95KG
Batteri		BL2536
Spænding	V _{DC}	36
Kapacitet	Ah	2.5
Type		Li-Ion
Oplader		90616337-xx
Indgangsspænding	V _{AC}	230
Udgangsspænding	V _{DC}	36
Strømstyrke	mA	1300
Ladetid ca.	min	110

Værdi for hånd/arm-vægtet vibration:
= < 0,5 m/s², usikkerhed (K) = 1,5 m/s².

L_{PA} (lydtryk) 75 dB(A)
usikkerhed (K) = 3 dB(A)

EF-overensstemmelseserklæring
MASKINDIREKTIV
DIREKTIV OM STØJEMISSION FRA MASKINER TIL
UDENDØRS BRUG



CLMA4825L2 Autosense plæneklipper

Black & Decker erklærer, at produkterne beskrevet under "Tekniske data" er i overensstemmelse med: EN60335-1:2012+A11:2014+A13:2017, EN60335-2-77:2010

2000/14/EF, Plæneklipper, L < 50 cm, bilag VI,

DEKRA certifikation B.V. Meander 1051 / P.O. Box 5185
6825 MJ ARNHEM / 6802 ED ARNHEM, Nederlandende,
Notificeret organ ID-nr.: 0344

Lydintensitetsniveau i henhold til 2000/14/EF (artikel 12, Annex III, L ≤ 50 cm):

L_{WA} (målt lydeffekt) 89 dB(A)
usikkerhed (K) = 3 dB(A)

L_{WA} (garanteret lydeffekt) 96 dB(A)

Disse produkter er endvidere i overensstemmelse med direktiv 2006/42/EC, 2014/30/EU og 2011/65/EU.

Kontakt Black & Decker på nedenstående adresse eller se vejledningens bagside for at få flere oplysninger.

Undertegnede er ansvarlig for udarbejdelsen af de tekniske data og fremsætter denne erklæring på vegne af Black & Decker.



R. Laverick
Direktør for konstruktioner
Black & Decker Europe, 210 Bath Road, Slough,
Berkshire, SL1 3YD
Storbritannien
18/12/2018

Garanti

Black & Decker er sikker på kvaliteten af sine produkter og giver forbrugerne en garanti på 24 måneder fra købsdatoen. Garantien er et tillæg til forbrugerens lovsikrede rettigheder og påvirker ikke disse. Garantien er gyldig inden for medlemsstaterne af Den Europæiske Union og Det Europæiske Frihandelsområde.

Når du gør krav på garantien, skal kravet være i overensstemmelse med Black&Decker vilkår og betingelser, og du skal indsende dokumentation for købet til sælgeren eller til en autoriseret reparatør. Vilkår og betingelser for Black & Decker 2 års garanti og placeringen af dit nærmeste autoriserede serviceværksted kan fås på internettet på www.2helpU.com, eller ved at kontakte dit lokale Black & Decker kontor på den adresse, der er angivet i denne vejledning.

Besøg venligst vores websted www.blackanddecker.co.uk for at registrere dit nye Black & Decker produkt og modtage opdateringer om nye produkter og specielle tilbud.

Käyttötarkoitus

BLACK+DECKER CLMA4825L2 Autosense -ruohonleikkuri on suunniteltu ruohon leikkaamiseen. Laitte on tarkoitettu vain yksityiskäyttöön.

Turvallisuusohjeet

Varoitus! Johdottomia laitteita käytettäessä on aina noudatettava asianmukaisia turvaohjeita, jotta tulipalojen, sähköiskujen, henkilövahinkojen ja materiaaliavurioiden riski olisi mahdollisimman pieni.

Varoitus! Laitetta käytettäessä on noudatettava turvallisuussääntöjä. Lue tämä opas huolellisesti läpi ennen koneen käyttöä oman ja muiden turvallisuuden takia. Säilytä ohjeet myöhempää tarvetta varten.

- Lue nämä ohjeet huolellisesti ennen laitteen käyttöä.
- Käyttötarkoitus kuvataan ohjeissa. Muiden kuin ohjeissa suositeltujen lisävarusteiden tai -osien käyttö sekä laitteen käyttö muuhun kuin oppaassa suositeltuun tarkoitukseen voi aiheuttaa henkilövahingon vaaran.
- Säilytä tämä käyttöohje tulevaa tarvetta varten.

Laitteen käyttö

Ole aina huolellinen käyttäessäsi laitetta.

- Tätä laitetta ei ole tarkoitettu nuorten tai lihasvoimaltaan heikkojen henkilöiden käyttöön ilman valvontaa.
- Laitetta ei saa käyttää leluksi.
- Älä anna lasten tai eläinten tulla lähelle työskentelyaluetta tai koskea laitteeseen tai virtajohtoon.
- Jos laitetta käytetään lasten läheisyydessä, on oltava tarkkaavainen.

- Soveltuu vain kuivaan käyttöympäristöön. Älä anna laitteen kastua.
- Älä upota laitetta veteen.
- Älä avaa laitteen koteloita.
- Sisällä ei ole mitään huollettavia osia.
- Älä käytä laitetta räjähdysalttiissa ympäristössä, jossa on syttyvää nestettä, kaasua tai pölyä.
- Älä koskaan irrota johtoa pistorasiasta johdosta vetäen. Pistoke tai johto voi vahingoittua.

Käytön jälkeen

- Kun laitetta ei käytetä, säilytä sitä kuivassa, hyvin tuuletetussa paikassa poissa lasten ulottuvilta.
- Pidä laite lasten ulottumattomissa.
- Kun laitetta säilytetään tai kuljetetaan ajoneuvossa, sijoita se tavaratilaan tai kiinnitä se kunnolla, ettei se matkan aikana pääse liikkumaan.

Tarkastus ja korjaus

- Tarkista ennen laitteen käyttöä, ettei laitteessa ole vahingoittuneita tai viallisia osia. Tarkista osien ja kytkimien kunto sekä muut seikat, jotka voivat vaikuttaa laitteen toimintaan.
- Älä käytä laitetta, jos jokin osa on vahingoittunut tai viallinen.
- Korjauta tai vaihdata vaurioituneet tai vialliset osat valtuutetussa huoltoliikkeessä.
- Älä yritä korjata tai vaihtaa muita kuin tässä käyttöohjeessa erikseen määriteltäviä osia.

- Varo leikkuria säädettäessä, että sormesi eivät jää liikkuvien terien/osien ja kiinteästi asennettujen osien väliin.
- Muista teriä huollettaessa, että vaikka virtalähde on sammutettu, terät liikkuvat edelleen.

Ruohonleikkurien lisäturvaohjeet

- Pidä ruohonleikkuria työntöaisasta tukevasti molemmin käsin käytön aikana.
- Jos joudut käytön aikana kallistamaan ruohonleikkuria, pidä molemmat kädet koko ajan ajoasennossa. Pidä molemmat kädet ajoasennossa niin kauan, kunnes ruohonleikkuri on jälleen normaaliasennossa.
- Älä käytä radiota tai kuulokkeita ruohonleikkurin käytön aikana.
- Älä koskaan säädä pyörien korkeutta moottorin käydessä tai turva-avaimen ollessa paikallaan kytkentäkotelossa.
- Jos ruohonleikkuri pysähtyy, sammuta leikkuri vapauttamalla kahva, odota terän pysähtymistä ja irrota turva-avain ennen kuin yrität avata tukoksen tai poistaa mitään kannen alta.
- Pidä kädet ja jalat poissa leikkausalueelta.
- Pidä terät terävinä. Käytä aina suojäkäsineitä käsitellessäsi ruohonleikkurin terää.
- Jos käytät keräyssäiliötä, tarkista säännöllisesti, ettei se ole kulunut tai rikkoutunut. Jos keräyssäiliö on hyvin kulunut, vaihda se uuteen turvallisuuden vuoksi.

- Ole erittäin varovainen vetäessäsi ruohonleikkuria taaksepäin itseäsi kohti.
- Älä aseta käsiä tai jalkoja ruohonleikkurin lähelle tai sen alle. Pysy loitolla laitteen poistoaukosta.
- Poista ruohonleikkurin aiotulta käyttöalueelta kivet, puunpalaset, johdot, lelut, luut ja muut esineet, jotka terä voisi heittää suurella nopeudella. Terän heittämät esineet voivat aiheuttaa vakavia henkilövahinkoja. Pysy kahvan takana moottorin käydessä.
- Älä käytä ruohonleikkuria avoaloin tai avonaisten sandaalien kanssa. Käytä aina riittäviä turvajalkineita.
- Älä vedä ruohonleikkuria taaksepäin, ellei se ole täysin välttämätöntä. Katso aina alas ja taaksesi ennen siirtymistä taaksepäin ja sen aikana.
- Älä koskaan suuntaa laitteen poistoaukkoa ketään kohti. Vältä poistoaukon suuntaamista seinää tai muuta estettä kohti. Materiaalia voi kimmota takaisin käyttäjää kohti. Sammuta ruohonleikkuri ja pysäytä terä vapauttamalla työntöaisa ennen kuin ylität sorapintaisen alueen.
- Älä käytä ruohonleikkuria, elleivät keräyssäiliö, poistoaukon suojus, takasuojus ja muut turvalaitteet ole paikoillaan ja kunnossa. Tarkista aika ajoin kaikki suojuukset ja turvalaitteet ja varmista, että ne ovat hyvässä käyttökunnossa ja toimivat oikein. Vaihda vahingoittunut suojus tai muu turvalaite ennen laitteen käytön jatkamista.
- Älä koskaan jätä käynnissä olevaa ruohonleikkuria ilman valvontaa. Irrota turva-avain aina, kun ruohonleikkuri jää ilman valvontaa.
- Pysäytä moottori vapauttamalla kahva, odota, että terä pysähtyy kokonaan ja irrota turva-avain, ennen kuin puhdistat ruohonleikkurin tai poistoaukon suojuksen, irrotat ruohonkeräysspussin tai kun poistut ruohonleikkurin luota tai teet säätöjä, korjauksia tai tarkastuksia.
- Käytä ruohonleikkuria vain päivänvalossa tai hyvässä keinovalossa niin, että terän tiellä olevat esineet näkyvät selvästi ruohonleikkurin käyttöalueelle.
- Ruohonleikkuria ei saa käyttää alkoholin tai huumeiden vaikutuksen alaisena tai väsyneenä tai sairaana. Pysy aina valppaana, tarkkaile toimenpiteitäsi ja käytä tervettä järkeä.
- Vältä vaarallisia ympäristöjä. Älä käytä ruohonleikkuria kostealla tai märällä nurmikolla tai sateessa. Varmista aina tukeva jalansija. Kävele, älä juokse.
- Jos ruohonleikkuri alkaa täristä epätavallisesti, vapauta kahva, odota terän pysähtymistä, irrota turva-avain ja tarkista heti ääriänsä syy. Ääriänsä on yleensä merkki ongelmista. Tutustu vianmääritysohjeisiin saadaksesi selville syyn epätavalliseen ääriänsä.
- Käytä aina asianmukaisia suojalaseja ja hengityssuojainta ruohonleikkuria käyttäessäsi.
- Sellaisten lisävarusteiden tai -laitteiden käyttö, joita ei ole suositeltu käytettäväksi ruohonleikkurin kanssa, saattaa johtaa vaaratilanteeseen. Käytä vain BLACK+DECKERin hyväksymiä lisävarusteita.

Muut riskit

Myös muut kuin turvavaroituksissa mainitut riskit ovat mahdollisia työkalua käytettäessä. Nämä riskit voivat liittyä muun muassa virheelliseen tai pitkäaikaiseen käyttöön.

Tiettyjä jäännösriskejä ei voi välttää, vaikka noudatat kaikkia turvamääräyksiä ja käytät turvalaitteita. Näitä ovat:

- Pyörivien tai liikkuvien osien koskettamisen aiheuttamat vahingot.
- Osia, teriä tai lisävarusteita vaihdettaessa aiheutuneet vahingot.
- Työkalun pitkäaikaisen käytön aiheuttamat vahingot. Varmista, että pidät säännöllisesti taukoja työkalun pitkäaikaisen käytön aikana.
- Kuulon heikkeneminen.
- Työkalua käytettäessä (esimerkiksi puuta, erityisesti tammea, pyökkiä ja MDF-levyjä, käsiteltäessä) syntyneen pölyn sisäänhengityksen aiheuttamat terveystriskit).

Varoitusmerkit

Työkaluun on merkitty päivämääräkoodi sekä seuraavat varoitusmerkit:



Varoitus! Lue käyttöohje ennen laitteen käyttöönottoa.



Älä käytä laitetta sateessa tai erittäin kosteissa olosuhteissa.

- Älä kurkota ruohonleikkurin käytön aikana. Seiso aina tukevasti ja tasapainossa ruohonleikkurin käytön aikana.
- Leikkaa ruoho rinteiden korkeussuuntaan nähden poikittain, älä koskaan ylhäältä alas tai päinvastoin. Ole erityisen varovainen vaihtaessasi suuntaa rinteessä.
- Varo koloja, kumpuja, kiviä tai muita näkymättömiä esineitä. Epätasainen maasto voi aiheuttaa liukastumisen tai kaatumisen. Pitkä ruoho voi peittää esteitä.
- Älä leikkaa märkää ruohoa tai leikkaa hyvin jyrkissä rinteissä. Epävakaa asento voi aiheuttaa liukastumisen tai kaatumisen.
- Älä leikkaa nurmikkoa aivan kuopan, ojan tai pengerryksen lähellä. Voit mennettää tasapainon tai jalka voi luistaa.
- Anna leikkurin aina jäähtyä ennen varastointia.

Muiden henkilöiden turvallisuus

- Tämä laite soveltuu yli 8-vuotiaiden lasten ja sellaisten henkilöiden käyttöön, joilla on fyysisiä tai älyllisiä rajoitteita tai aistirajoitteita, kuten myös laitteen toimintaan perehtymättömien henkilöiden käyttöön, jos heitä valvotaan tai jos he ovat saaneet laitteen turvalliseen käyttöön liittyvää opastusta ja ymmärtävät laitteen käyttöön liittyvät vaarat.
- Älä anna lasten leikkiä laitteella. Puhdistus- ja huoltotöitä ei saa jättää lapsille ilman valvontaa.



Varo teräviä teriä. Terien liike jatkuu vielä hetken moottorin sammuttamisen jälkeen.

Irrota turva-avain, ennen kuin puhdistat ruohonleikkurin, irrotat ruohonkeräysspussin, puhdistat poistoaukon suojuksen tai poistut ruohonleikkurin luota sekä aina ennen kuin teet säätöjä, korjauksia tai tarkastuksia.



Varo sinkoilevia esineitä. Pidä sivulliset poissa leikkausalueelta.



Käytä suojalaseja.



Direktiivin 2000/14/EY mukainen taattu ääniteho.

Akkuja ja laturia koskevat lisäturvaohjeet

Akut

- Älä koskaan yritä avata mistään syystä.
- Älä anna akun kastua.
- Älä altista akkua kuumuudelle.
- Älä säilytä paristoja tiloissa, joissa lämpötila voi nousta yli 40 °C:een.
- Lataa akku paikassa, jonka lämpötila on vähintään 10 °C ja enintään +40 °C.
- Käytä akun lataamiseen vain laitteen mukana toimitettua laturia. Väärän tyyppinen laturi voi aiheuttaa sähköiskun tai akun ylikuumenemisen.

- Noudata paristoja hävittäessäsi kohdassa ”Ympäristönsuojelu” annettuja ohjeita.
- Suojaa akkua vahingoittumiselta niin, ettei sen kotelo rikkoudu eikä siihen kohdistu iskuja, sillä muutoin voi syntyä henkilövahinkojen ja tulipalon vaara.
- Älä lataa viiallisia akkuja.
- Vaativissa oloissa voi ilmetä paristovuotoja. Jos havaitset akkujen pinnalla nestettä, pyyhi se huolellisesti pois. Vältä ihokosketusta.
- Jos nestettä joutuu silmiin tai iholle, noudata alla olevia ohjeita.

Varoitus! Akkuneste voi aiheuttaa aineellisia vahinkoja tai henkilövahinkoja. Jos nestettä joutuu iholle, se on välittömästi huuhdeltava pois vedellä. Jos ihoa kirvelee tai se punottaa tai on muuten ärtynyt, kysy lisäohjeita lääkäriltä. Jos nestettä joutuu silmiin, huuhto välittömästi puhtaalla vedellä ja mene lääkäriin.



Älä koskaan yritä ladata viiallisia akkuja.

Laturit

Laturi on tarkoitettu tietyille jännitteelle. Tarkista aina, että verkkojännite vastaa arvokilvessä ilmoitettua jännitettä.

Varoitus! Älä yritä vaihtaa laturiin tavallista verkkovirran pistoketta.

- Käytä BLACK+DECKERin laturia vain laitteen/työkalun mukana toimitetun akun lataamiseen. Muut akut voivat räjähtää ja aiheuttaa henkilövahinkoja tai aineellisia vahinkoja.

- Älä koskaan yritä ladata paristoja, joita ei ole tarkoitettu ladattavaksi.
- Jos virtajohto vahingoittuu, sen vaihtaminen on turvallisuussyistä jätettävä valmistajan tai valtuutetun BLACK+DECKER-huollon tehtäväksi.
- Suojaa laturi vedeltä.
- Älä avaa laturia.
- Älä työnnä mitään laturin sisään.
- Lataa laite/työkalu/akku paikassa, jossa on kunnollinen ilmanvaihto.



Laturi on tarkoitettu ainoastaan sisäkäyttöön.



Lue käyttöohjeet huolellisesti ennen laitteen käyttöä.

Sähköturvallisuus



Laturi on kaksoiseristetty, joten erillistä maadoitusta ei tarvita. Tarkista aina, että verkkojännite vastaa arvokilvessä ilmoitettua jännitettä. Älä yritä vaihtaa laturiin tavallista verkkovirran pistoketta.

- Jos virtajohto vahingoittuu, sen vaihtaminen on turvallisuussyistä jätettävä valmistajan tai valtuutetun BLACK+DECKER-huollon tehtäväksi.

Akun lataaminen (kuva A)

Lataa akku ennen ensimmäistä käyttökertaa ja aina, kun se ei enää tuota riittävästi virtaa toimintoihin, jotka aiemmin sujuivat helposti.

Akku voi lämmetä ladattaessa. Tämä on normaalia, eikä se ole merkki mistään viasta.

Varoitus! Älä lataa akkua alle 10 °C tai yli 40 °C asteen lämpötilassa. Suositeltava latauslämpötila on 24 °C.

Huomautus: Laturi ei lataa akkua, jos akun kennon lämpötila on alle 10 °C tai yli 40 °C.

Akku tulee kuitenkin jättää laturiin. Laturi aloittaa lataamisen automaattisesti, kun kennon lämpötila nousee tai laskee riittävästi.

- Yhdistä laturi sopivaan pistorasiaan ennen kuin laitat siihen akun.
- Aseta akku laturiin.



Vihreä LED-merkkivalo vilkkuu käynnissä olevan latauksen merkiksi.



Loppuun maksu näkyy vihreä LED Jatkuvasti jäljellä. Pakkaus on ladattu täyteen ja sitä voidaan käyttää tällä hetkellä tai vasemmalle kuormitus

Varoitus! Lataa tyhjennetyt akut mahdollisimman pian käytön jälkeen, muutoin akun käyttöikä voi lyhentyä.

Laturin vianmääritys

Tämä laturi on tarkoitettu havaitsemaan joitakin akkuun tai virtalähteeseen liittyviä ongelmia. Ongelmista ilmoittaa yksi eri tahtiin vilkkuva LED-merkkivalo.

Viallinen akku



Laturi voi havaita heikkokuntoisen tai vaurioituneen akun. Punainen LED-merkkivalo vilkkuu merkissä ilmoitetulla tavalla. Jos näet tämän heikosta akun kunnosta ilmoittavan vilkkumisen, lopeta akun lataus. Vie se huoltopalveluun tai kierrätyspisteeseen.

Akun kuuma-/kylmäviive



Kun laturi tunnistaa liian kuuman tai kylmän akun, se käynnistää automaattisesti akun kuuma-/kylmäviiveen, jolloin lataus käynnistyy vasta sitten, kun akku on saavuttanut oikean lämpötilan. Tämän jälkeen laturi kytketty automaattisesti akun lataustilaan. Tämä toiminto takaa akun maksimaalisen käyttöiän. Punainen LED-merkkivalo vilkkuu merkissä ilmoitetulla tavalla, kun kuuma-/kylmäviive on havaittu.

Akun jättäminen laturiin

Akku voidaan jättää laturiin, kun merkkivalo palaa. Laturi pitää akun käyttövalmiina ja ladattuna.

Yleiskuvasu

Tässä laitteessa on kaikki tai joitakin seuraavista ominaisuuksista.

1. Kytinkotelo
2. Työntöaisa
3. Yläkahva
4. Alakahva
5. Yläkahvan kiinnitysvivut (2)
6. Alakahvan kiinnitysvivut (2)
7. Leikkauskorkeuden säätövipu
8. Keräyspussi
9. Takaluukun kansi
10. Akkuportti
11. Akun säilytyslokero
12. Kantokahvat
13. EdgeMax™

Akun asennus ja irrotus (kuva B - C)

- ◆ Paina akkukotelon kannen vapautuspainiketta (14) ja vedä akkukotelon kansi (15) ylös akkukotelon (10) avaamiseksi kuvan B mukaisesti.
- ◆ Liu'uta akku (16) akkukoteloon, kunnes se on täysin paikoillaan ja kuulet napsahduksen (kuva C). Varmista, että akku on kokonaan paikoillaan ja lukittu paikoilleen.
- ◆ Sulje akkukotelon kansi. Varmista, että kansi on lukittunut hyvin ennen leikkurin käynnistämistä.

Akun irrotus (kuva D)

- ◆ Avaa akkukotelon kansi (15).
- ◆ Paina akun vapautuspainiketta (17) akussa ja vedä akku irti kuvan D mukaisesti.

Akun säilytyslokero

Lisäakkua voidaan säilyttää akun säilytyslokerossa (11).

- ◆ Nosta säilytyslokeron kantta ja liu'uta akku koteloon kuvan E mukaisesti. Lokerossa oleva akku ei välitä leikkuriin virtaa.
- ◆ Ruuvaa yläkahvan vapautusvivut (7) alakahvan läpi muttereihin (20). Kun olet ruuvannut yläkahvan vapautusvivut puoleenväliin, sulje vapautusvivut (kuva G). Jos kahvan ja vapautusvipujen välinen kiinnitys on liian tiukka tai löysä, säädä vapautusvipujen syvyyttä ja sulje ne uudelleen, kunnes hampaat ovat täysin kiinni.

Asennus

Varoitus! Varmista ennen työkalun kokoamista, että sen virta on katkaistu ja turva-avain ja akku on irrotettu.

Alakahvan kiinnittäminen (kuva F)

- ◆ Nosta alakahva (4) paikoilleen ja varmista, että leikkurin kannassa oleva nuoli (18) kohdistuu kahvan (19) kannassa olevaan numeroon 1, 2 tai 3 (kuva F).

Huomautus! Varmista, että alakahvan molemmat puolet on asetettu samaan numeroon. Nuolen tulee kohdistua numeroon 1, 2 tai 3 käyttöä varten.

- ◆ Sulje kahvan korkeudensäätövivut (7) kuvan F mukaisesti. Varmista sulkemisen aikana, että hampaat ovat kiinnittyneet kuvan G mukaisesti.
- ◆ Jos kahvan ja vivun välinen liitäntä on liian kireä tai löysä, avaa vipu ja säädä vivun syvyyttä vipua kiertämällä. Sulje se uudelleen, kunnes hampaat kiinnittyvät kokonaan ja kukin vipu pysyy hyvin suljettuna.

Yläkahvan kiinnittäminen (kuva H)

- ◆ Poista yläkahvan kiinnitysvivut (5), mutterit (20) ja aluslaatat (21) kahvasta.
- ◆ Kohdista yläkahvan (3) alaosaan reiät alakahvan (4) yläosassa oleviin reikiin.

Huomautus: Varmista, että sähköjohto on molempien kahvojen edessä. Mikäli näin ei ole, johto voi sotkeutua ja leikkurin säilöön asettaminen voi olla vaikeampaa (kuva I).

- ◆ Liu'uta vivun pultti reikien läpi yläkahvan (3) ulkopuolelta.
- ◆ Liu'uta aluslaatta vivun pultin yli ja asenna koko kokoonpano löysästi mutterilla.
- ◆ Kierrä yläkahva käyttöasentoon.
- ◆ Sulje vipu. Jos se on liian kireällä tai löysällä, avaa vipu ja mutteri kiinnityksen säätämiseksi. Tarkista vivut sulkemalla ne. Niiden on oltava riittävän kireällä niin, että kahvat pysyvät paikoillaan, ja samalla riittävän löysällä, jotta vivut voidaan sulkea kokonaan. Säädä avaamalla vipu ja kääntämällä mutteria, kunnes kahvat ovat paikoillaan.

Moottorin kaapeliin kiinnittäminen (kuva J)

Varoitus: Kiinnitä kaapeli niin, ettei se veny tai jää puristuksiin kahvojen liitososien käytön tai taittamisen aikana.

Muutoin johto voi vaurioitua.

Moottorin kaapeli (22) tulee asentaa kahvoihin kaapelipidikkeillä (23), jotka on kiinnitetty kahvaan kaapelin kiinnittämistä varten:

- ◆ Aseta kahvat käyttöasentoon, katso osio "Alakahvan kiinnitys".
- ◆ Vie kaapeli ala- ja yläkahvojen etuosan yli.
- ◆ Vedä kaapelikiinnitin taaksepäin.
- ◆ Liu'uta moottorin kaapeli kiinnittimen alapuolelta ja varmista, että kiinnitin pitää sen hyvin paikoillaan.

Pussin asentaminen

- ◆ Varmista, että ruohonpoistokappale sivulla (27) (kuva M) ja silppuamiskappale (26) (kuva L) on irrotettu leikkurista ennen pussin asentamista.
- ◆ Nosta takaluukun kansi (9) ja aseta ruohonkeräyspussi (8) leikkuriin niin, että pussin koukut (24) ovat kielekkeiden (25) varassa kuvan K mukaisesti. Laske sen jälkeen takaluukun kansi alas.

Silppuaminen

- ◆ Varmista, että ruohonpoistokappale sivulla (27) ja keräyspussi (8) on irrotettu.
- ◆ Nosta takaluukun kansi (9) ja liu'uta silppuamisosa (26) kokonaan leikkuriin kuvan L mukaisesti.
- ◆ Varmista, että takaluukun kansi sulkeutuu kokonaan ennen leikkurin käynnistämistä.

Poisto sivulle

- ◆ Varmista, että keräyspussi (8) on poistettu.
- ◆ Nosta takaläppää (9) ja liu'uta silppuamisosa (26) kokonaan leikkuriin kuvan L mukaisesti.
- ◆ Nosta sivuläppää (28) ja kiinnitä ruhonpoistokappale sivulle (27) leikkuriin kuvan M mukaisesti.
- ◆ Vapauta sivuläppä ja varmista, että osa pysyy paikoillaan ennen leikkurin käynnistämistä kuvan M mukaisesti.

Käyttö

Varoitus! Anna leikkurin käydä omaan tahtiinsa. Älä ylikuorimita sitä.

Kahvan korkeuden säätäminen (kuva N)

- ◆ Avaa molemmat alakahvan kiinnitysvivut (6).
- ◆ Säädä kahvaa, jotta leikkurin kannassa oleva nuoli (18) kohdistuu kahvan (19) kannassa olevaan numeroon 1, 2 tai 3. Varmista, että kahva on asetettu samaan numeroon leikkurin molemmilla puolilla.
- ◆ Sulje molemmat kahvat ja varmista, että kahva on kiinnitetty hyvin.

Leikkauskorkeuden säätäminen (kuva O)

Leikkauskorkeutta säädetään keskitetyn korkeudensäätöivulla. Valittavissa on seitsemän asentoa.

Huomautus: Jos et ole varma leikkauskorkeudesta, aloita leikkaus korkeudensäätövivun (7) asennossa 7 ja säädä korkeutta tarvittaessa kuvan O mukaisesti.

Leikkauskorkeuden säätäminen:

- ◆ Vedä leikkurin korkeudensäätövipu pois lukitusurasta.
- ◆ Siirrä vipua laitteen takaosaa kohti, jos haluat vähentää leikkauskorkeutta.
- ◆ Siirrä vipua laitteen etuosaa kohti, jos haluat lisätä leikkauskorkeutta.
- ◆ Työnnä korkeudensäätövipu johonkin kuudesta korkeusasennosta.

Turva-avain

Varoitus! Voit estää langattoman leikkurisi käynnistymisen vahingossa tai luvattoman käytön irrotettavalla turva-avaimella (29), joka kuuluu leikkuriin. Ruohonleikkurisi on kokonaan pois käytöstä, kun turva-avain on irrotettu leikkurista.

Huomautus: Turva-avaimen keskellä on reikä, jotta se voidaan ripustaa säilöön lasten ulottamattomissa olevaan paikkaan. Avainta ei saa sitoa leikkuriin.

- ◆ Aseta turva-avain (29) kytinkoteloon, kunnes se on kokonaan kotelon sisällä kuvan P mukaisesti. Ruohonleikkuri on nyt käyttövalmis.
- ◆ Tässä ruohonleikkurissa on erityinen kytkinrasia. Käytä ruohonleikkuria painamalla painiketta (30) kytinkotelossa (1), vedä sitten työntöaisa (2) ohjaustankoon kuvan Q mukaisesti.
- ◆ Voit sammuttaa leikkurin vapauttamalla työntöaisan.

Varoitus! Älä koskaan yritä lukita kytkintä tai työntöaisaa käyttöasentoon.

Huomautus: Alkuasentoon palautuessaan työntöaisa aktivoi "automaattisen jarrutusmekanismin". Moottorissa on sähköinen jarru, joka pysäyttää terän pyörimisen kolmen sekunnin kuluessa.

Leikkurin ylikuormitus

Jotta ylikuormittamisen aiheuttamilta vaurioilta vältyttäisiin, älä yritä poistaa liikaa ruohoa yhdellä kertaa. Hidasta vauhtia tai nosta leikkauskorkeutta.

EdgeMax™

EdgeMax™ (13) -osan avulla voit leikata ruohon myös aivan seinän tai aidan vierestä (kuva R).

EdgeMax™-osan avulla voit leikata ruohon tarkasti nurmikon reunan asti (kuva R1).

- ◆ Kun ruohonleikkuri on samansuuntaisesti ruohon reunan nähden, työnnä ruohonleikkuria ruohon reunaan pitkin. Varmista, että EdgeMax™ on hiukan ruohon reunan yli (kuva R1).

Huomautus: Kun ruohonpoistokappale on asennettu sivulle, EdgeMax™-osaa voidaan käyttää vain leikkurin oikealla puolella.

Auto sense™-tekniikka

Auto sense™-tekniikka määrittää ruohon paksuuden ja säätää sen mukaan tehoa. Kun ruoho on paksumpaa, leikkurin teho on suurempi. Kun ruoho on ohuempaa, leikkurin teho on alhaisempi akun käyttöajan säilyttämiseksi ja toiminta-ajan maksimoimiseksi.

Säilytys

Varoitus! Pyöriä terä voi aiheuttaa vakavia vammoja. Sammuta ruohonleikkuri vapauttamalla työntöaisa (2), irrota turva-avain ja akku ennen ruohonleikkurin nostoa, siirtoa tai varastointia. Säilytä kuivassa paikassa.

Varoitus! Vältä puristumisvammat pitämällä sormet pois kahvojen väliseltä alueelta, kun kahvoja taitetaan alas.

Varoitus! Varmista, ettei johto veny tai jää puristuksiin kahvojen liitososiin taittamisen aikana. Muutoin johto voi vaurioitua. Leikkurin kahva voidaan taittaa helposti alas nopeaa ja kätevää säilytystä varten.

- ◆ Pidä kahvasta kiinni, avaa alakahvan kiinnitysvivut (6) niitä kuitenkaan poistamatta, taita kahva leikkurin etuosaan kuvan S mukaisesti.
- ◆ Avaa yläkahvan kiinnitysvivut (6) niitä kuitenkaan poistamatta, taita yläkahva (3) takaisin alakahvan (4) päälle kuvan T mukaisesti.
- ◆ Leikkuri tulee asettaa kokoon kuvan U mukaisesti.

Leikkurin kantaminen

- ◆ Ruohonleikkuria voidaan kantaa kätevästi kantokahvoista (12) kuvan V mukaisesti. **ÄLÄ** yritä nostaa leikkuria tarttumalla yläkahvasta (3) tai alakahvasta (4).

Ruohonleikkausvinkkejä

Varoitus! Tarkasta aina ruohonleikkurin suunniteltu käyttöalue ja poista siitä kivet, puunpalaset, johdot, luut ja muut esineet, joita leikkurin pyörivä terä voi singota.

Varoitus! Leikkaa ruoho rinteessä poikittain, ei ylhäältä alas tai päinvastoin. Ole erityisen varovainen vaihtaessasi suuntaa rinteessä. Älä työskentele liian jyrkissä rinteissä. Varmista aina tukeva asento.

- ◆ Sammuta ruohonleikkuri vapauttamalla työntöaisa, ennen kuin ylität sorapintaisen alueen (jotta pyörivä terä ei lennättäisi kiviä).
- ◆ Aseta leikkauskorkeus ylimpään asentoon, jos maasto on hyvin epätasaista tai heinikko pitkää. Jos ruohoa leikataan kerralla liikaa, moottori ylikuormittuu ja pysähtyy. Katso vianmääritysohjeita.
- ◆ Jos ruohonkeräyspussia (8) käytetään ruohon nopeimmalla kasvukaudella, ruohosilppu voi vähitellen tukkia poistoaukon. Sammuta ruohonleikkuri vapauttamalla työntöaisa ja irrota turva-avain. Irrota ruohonkeräyspussi ja ravista ruohosilppu pussin perälle. Puhdista myös poistoaukon reunoille pakkautunut ruohosilppu. Vaihda ruohonkeräyspussi.
- ◆ Jos ruohonleikkuri alkaa tärisemään poikkeavasti, vapauta työntöaisa leikkurin sammuttamiseksi ja irrota turva-avain. Tarkista välittömästi tärinän syy. Tärinä on merkki ongelmasta. Älä käytä ruohonleikkuria, ennen kuin huoltotarkastus on tehty. Käytä apuna käyttöoppaan vianmääritysohjeita.
- ◆ Sammuta ruohonleikkuri vapauttamalla työntöaisa ja irrota turva-avain aina, kun ruohonleikkuri jää valvomatta vähäksikin aikaa.

Vinkkejä parhaimman tuloksen saavuttamiseksi:

- ◆ Hidasta vauhtia paikoissa, joissa ruoho on tavanomaista pidempää tai paksumpaa.
- ◆ Vältä leikkaamasta ruohoa, kun ruoho on märkää tai kosteaa.
- ◆ Leikkaa ruoho säännöllisesti, erityisesti nopeimman kasvukauden aikana.

Huomautus: Leikkuri on suositeltavaa ladata uudelleen käytön jälkeen akun käyttöajan maksimoimiseksi. Akun tiheä lataus ei heikennä akun käyttöä. Lataamalla sen usein varmistat, että akku on ladattu täyteen ja valmis käytettäväksi. Jos akkua säilytetään täyteen lataamattomana, akun käyttöikä lyhenee.

Terän irrotus ja asennus

Varoitus! Varmista teräjärjestelmän asentamisen aikana, että osat on asennettu oikein alla olevien ohjeiden mukaisesti. Terän tai muiden teräjärjestelmän osien virheellinen asennus voi johtaa vakaviin henkilövahinkoihin.

Varoitus! Sammuta ruohonleikkuri vapauttamalla työntöaisa, odota kunnes terä pysähtyy ja irrota sitten turva-avain ja akku.

- ◆ Leikkaa 2x4 puukappaletta (31) (pituus noin 610 mm), jotta terä pyöräisi pultin (32) irrottamisen aikana.
- ◆ Käytä käsineitä ja suojalaseja.
- ◆ Käännä ruohonleikkuri kyljelleen. Varo leikkurin terävää terää. Aseta puukappale paikoilleen ja irrota pultti 1/2" avaimella (33) kuvan W mukaisesti.
- ◆ Irrota pultti ja aluslaatta (34). Vedä terä (35) irti kuvan X mukaisesti. Puhallinta (36) ei saa poistaa. Tarkista kaikkien osien kunto ja vaihda tarvittaessa.
- ◆ Terä voidaan kiinnittää vain puhaltimeen yhdessä suunnassa. Asenna osat takaisin kohdistamalla d-muotoinen terän reikä d-muotoiseen puhaltimen tappeen, Varmista, että terän pintojen kirjoitus osoittaa leikkurista pois päin.
- ◆ Kiristä se kireälle asettamalla puukappale kuvan Y mukaisesti, jotta terä pyöräisi. Liu'uta pultti aluslaatan läpi ja ruuvaa pultti paikoilleen. Kiristä avaimella.

Terän teroittaminen

Terävä terä leikkaa ruohoa parhaiten. Tylsä terä ei leikkaa ruohoa siististi. Käytä suojalaseja, kun irrotat, teroitat ja kiinnität terää. Varmista, että turva-avain ja akku on irrotettu. Normaalioloissa yleensä riittää, kun terä teroitetaan kaksi kertaa kesässä. Hiekka tylsyyttää terän nopeasti.

Jos ruoho kasvaa hiekkamaassa, terää voi joutua teroittamaan useammin.

Huomautus: Vaihda vääntyneen tai vahingoittuneen terän tilalle uusi.

Terän teroittamisessa huomioitavana

- ◆ Varmista, että terän tasapaino säilyy.
- ◆ Säilytä terän alkuperäinen teroituskulma.
- ◆ Teroitä leikkaavat kohdat terän molemmin puolin ja poista metallia saman verran molemilta puolilta.

Terän teroittaminen ruuvipenkissä (kuva Z)

- ◆ Varmista aina ennen terän irrottamista, että työntöaisa on vapautettu, terä on pysähtynyt ja turva-avain ja akku on irrotettu.
- ◆ Poista terä ruohonleikkurista. Lue terän asennus- ja irrotusohjeet.
- ◆ Kiinnitä terä (35) ruuvipenkkiin (38).
- ◆ Käytä asianmukaisia suojalaseja ja suojakäsineitä ja varo teräviä reunoja. Viilaa terän leikkauspinnat hienolla viilalla (39) tai hiomakivellä. Säilytä alkuperäinen leikkauskulma. Tarkista terän tasapaino. Katso terän tasapainotusohjeet. Vaihda leikkurin terä ja kiristä hyvin.

Terän tasapainottaminen (kuva Z1)

Tarkista terän (35) tasapaino asettamalla terän keskellä oleva reikä naulaan tai pyöreän varren ruuviväntimeen (40), joka on kiinnitetty vaaka-suunnassa ruuvipenkkiin (38). Jos terän päistä jompi pyörii alaspäin, hio alas painuvan pään terävää reunaa. Terä on tasapainotettu, kun kumpikaan pää ei painu alas.

Voiteleminen

Voitelu ei ole tarpeen. Älä voitele pyöriä. Niiden muoviset laakeripinnat eivät vaadi voitelua.

Puhdistaminen

Vapauta työntöaisa (2) leikkurin kytkemiseksi pois päältä, anna terän pysähtyä ja poista turva-avain. Käytä ruohonleikkurin puhdistamiseen vain mietoa pesuainetta ja kosteaa kangasta. Irrota alustan alapintaan mahdollisesti tarttunut leikkujäte. Tarkista useiden käyttökertojen jälkeen kiinnikkeiden pitävyys.

Korroosion estäminen

Lannoitteet ja muut puutarhakemikaalit sisältävät aineita, jotka nopeuttavat metallien korroosiota. Jos ruohonleikkurin käyttöalueelle on levitetty lannoitteita tai kemikaaleja, ruohonleikkuri on puhdistettava heti käytön jälkeen seuraavasti. Vapauta työntöaisa (2) leikkurin kytkemiseksi pois päältä ja irrota turva-avain ja akku. Pyyhi lannoitteelle altistuneet osat kostealla rievulla.

Huolto

Verkkohodolla varustettu tai verkkohodoton BLACK+DECKER-laite on suunniteltu toimimaan mahdollisimman kauan mahdollisimman vähällä huollolla. Oikealla huollolla ja säännöllisellä puhdistuksella työkalu/laite säilyttää suorituskykynsä.

Laturi ei tarvitse säännöllisen puhdistamisen lisäksi mitään muuta huoltoa.

Varoitus! Ennen verkkohodolla varustetun tai verkkohodottoman sähkötyökalun huoltoa toimi seuraavasti.

- ◆ Sammuta laite/työkalu ja irrota se verkkovirrasta.

- ◆ Jos akku on ehjä, käytä akku täysin loppuun ja sammuta laite sitten.
- ◆ Irrota laturi pistorasiasta ennen laturin puhdistamista. Laturi ei tarvitse säännöllisen puhdistamisen lisäksi mitään muuta huoltoa.
- ◆ Puhdista työkalun, laitteen ja laturin ilma-aukot säännöllisesti pehmeällä harjalla tai kuivalla kangasliinalla.
- ◆ Puhdista moottorikotelo säännöllisesti kostealla liinalla. Älä käytä hankaavia tai liuotinpohjaisia puhdistusaineita.
- ◆ Poista ruoho ja lika suojuksen alta säännöllisesti työpällä kaapimella.

Vianetsintä

Jos laite ei näytä toimivan oikein, noudata seuraavia ohjeita. Jos tämä ei auta, ota yhteys paikalliseen BLACK+DECKER-huoltoilikeeseen.

Varoitus! Ennen jatkamista sammuta ruohonleikkuri vapauttamalla työntöaisa, odota kunnes terä pysähtyy ja irrota sitten turva-avain.

Ongelma	Mahdollinen ratkaisu
Ruohonleikkuri ei toimi, kun työntöaisan kahva on aktivoitu.	Varmista ennen työntöaisan liikuttamista, että turva-avain on oikein paikoillaan ja että kytkinkotelon painike on kokonaan ylhäällä. Sammuta ruohonleikkuri vapauttamalla työntöaisa. Irrota turva-avain ja akku, käännä ruohonleikkuri kyljelleen ja tarkista, että terä pääsee pyörimään esteettä. Onko akku on täysin latautunut? Kytke laturi ja odota, kunnes vihreä merkkivalo syttyy.
Moottori pysähtyy kesken käytön.	Sammuta ruohonleikkuri vapauttamalla työntöaisa. Irrota turva-avain ja akku. Käännä ruohonleikkuri kyljelleen ja tarkista, että terä pääsee pyörimään esteettä. Nosta leikkauskorkeus ylimmälle tasolle ja käynnistä ruohonleikkuri. Tarkista, että akkukotelo on puhdas ja että akku on kiinnitetty kunnolla. Onko akku on täysin latautunut? Tarkista varaustila painamalla painiketta. Vältä ylikuormittamista leikkuria. Hidasta vauhtia tai nosta leikkauskorkeutta.
Ruohonleikkuri käy mutta teho on heikko tai se ei katkaise kaikkea ruohoa	Onko akku on täysin latautunut? Tarkista varaustila painamalla painiketta. Sammuta ruohonleikkuri vapauttamalla työntöaisa. Irrota turva-avain ja akku. Käännä ruohonleikkuri kyljelleen ja tee seuraavat tarkistukset: <ul style="list-style-type: none"> ◆ Terän kunto. Pidä terä aina terävänä. ◆ Leikkurin alaosaan ja poistoaukkoon mahdollisesti kertynyt ruohosilppu. Leikkaustaso on ehkä säädetty olosuhteisiin nähden liian alas. Nosta leikkaustasoa. Sammuta ruohonleikkuri vapauttamalla työntöaisa. Irrota turva-avain ja akku. Nosta leikkaustasoa, jotta ruohon vastus vähenee. Tarkista kaikkien pyörien esteetön pyörintä.
Ruohonleikkuri on raskas työntää.	Sammuta ruohonleikkuri vapauttamalla työntöaisa. Irrota turva-avain ja akku. Nosta leikkaustasoa, jotta ruohon vastus vähenee. Tarkista kaikkien pyörien esteetön pyörintä.

Ongelma	Mahdollinen ratkaisu
Ruohonleikkuri on normaalia äänekkäämpi ja tärisee.	<p>Sammuta ruohonleikkuri vapauttamalla työntöaisa. Irrota turva-avain ja akku. Käännä ruohonleikkuri kyljelleen ja tarkista, ettei terä ole vääntynyt tai muuten vahingoittunut. Jos terä on vahingoittunut, vaihda sen tilalle BLACK+DECKERin vaihtoterä. Jos ruohonleikkurin alusta on vahingoittunut, toimita leikkuri valtuutettuun BLACK+DECKER-huoltoon korjattavaksi.</p> <p>Näkyviä terävaurioita ei ole havaittavissa, mutta ruohonleikkuri silti tärisee.</p> <ul style="list-style-type: none"> ♦ Sammuta ruohonleikkuri vapauttamalla työntöaisa. ♦ Irrota turva-avain ja akku. ♦ Pura koko teräkokoospano osion "Terän irrotus ja asennus" mukaisesti. ♦ Poista mahdolliset jäämät ja puhdista kaikki osat. ♦ Asenna osat takaisin osion "Terän irrotus ja asennus" mukaisesti. <p>Jos ruohonleikkuri edelleen tärisee, toimita se valtuutettuun BLACK+DECKER-huoltoon korjattavaksi.</p>
Akkulaturin LED-merkkivalot eivät pala.	<p>Tarkista pistokeliitäntä.</p> <p>Vaihda laturi.</p>
Ruohonleikkuri ei kerää leikattua ruohoa talteen pussiin.	<p>Poistoaukko on tukossa. Sammuta ruohonleikkuri vapauttamalla työntöaisa. Irrota turva-avain ja akku. Puhdista poistoaukko leikkujätteestä.</p> <p>Lyhennä leikattavaa määrää nostamalla leikkauskorkeutta.</p> <p>Pussi on täynnä. Tyhjennä pussi useammin.</p>

Ympäristönsuojelu



Toimita tämä laite erilliskeräykseen. Tällä symbolilla merkityjä tuotteita ja akkuja ei saa hävittää tavallisen kotitalousjätteen mukana.

Tuotteissa ja akuissa on materiaaleja, jotka voidaan ottaa talteen tai kierrättää uudelleen käyttöä varten. Kierrätä sähkölaitteet ja akut paikallisten määräyksien mukaan. Lisätietoa on saatavilla osoitteessa www.2helpU.com

Tekniset tiedot

CLMA4825L2 H1		
Tulojännite	V _{DC}	36V
Kuormittamaton nopeus	min ⁻¹	2900
Paino	kg	nettopaino 21,24 kg, bruttopaino 25,95 kg
Akku		BL2536
Jännite	V _{DC}	36
Teho	Ah	2.5
Tyyppi		Li-Ion
Laturi		90616337-xx
Tulojännite	V _{AC}	230
Lähtöjännite	V _{DC}	36
Virta	mA	1300
Arvioitu latausaika	min	110

Käden/käsivarren painotettu värinäarvo:
= < 0,5 m/s², epävarmuus (K) = 1,5 m/s².

L_w (äänenpaine) 75 dB(A)
epävarmuus (K) = 3 dB(A)

EY-vaatimustenmukaisuusvakuutus KONEDIREKTIIVI ULKOILMAMELUDIREKTIIVI



CLMA4825L2 Autosense -ruohonleikkuri

Black & Decker ilmoittaa, että tuotteet, jotka on kuvattu kohdassa Tekniset tiedot, täyttävät seuraavien direktiivien vaatimukset:
EN60335-1:2012+A11:2014+A13:2017, EN60335-2-77:2010

2000/14/EY, Ruohonleikkuri, L < 50 cm, Liite VI,
DEKRA Certification B.V. Meander 1051 / P.O. Box 5185
6825 MJ ARNHEM / 6802 ED ARNHEM, Netherlands Ilmoitetun laitoksen tunnusnumero: 0344

Akustisen tehon taso direktiivin 2000/14/EY (artikla 12, liite III, L ≤ 50 cm) mukaisesti:

L_{WA} (mitattu ääniteho) 89 dB(A)
epävarmuus (K) = 3 dB(A)
L_{WA} (taattu ääniteho) 96 dB(A)

Nämä tuotteet täyttävät myös direktiivien
2006/42/EY, 2014/30/EU ja 2011/65/EU vaatimukset.

Lisätietoja saa ottamalla yhteyden Black & Deckeriin seuraavassa osoitteessa. Tiedot ovat myös käyttöohjeen takakannessa.

Allekirjoittanut vastaa teknisten tietojen kokoamisesta tehden tämän ilmoituksen Black & Deckerin puolesta.

R. Laverick
Teknisen osaston johtaja
Black & Decker Europe, 210 Bath Road, Slough,
Berkshire, SL1 3YD
Iso-Britannia
18.12.2018

Takuu

Black & Decker on vakuuttunut tuotteidensa korkeasta laadusta ja tarjoaa kuluttajille 24 kuukauden takuun, joka astuu voimaan ostopäivänä. Takuu on lisäksi kuluttajan laillisuuteen oikeuksiin eikä vaikuta niihin. Tämä takuu on voimassa kaikissa EU- ja ETA-maissa.

Edellytyksenä takuun saamiselle on, että vaade täyttää Black & Deckerin ehdot ja että ostaja toimittaa ostotositteen jälleenmyyjälle tai valtuutetulle huoltoliikkeelle. Black & Deckerin kahden vuoden takuun ehdot ja lähimmän valtuutetun korjauspalvelun yhteystiedot ovat saatavilla osoitteessa www.2helpU.com tai ottamalla yhteyttä paikalliseen Black & Deckerin toimipisteeseen tässä ohjekirjassa ilmoitettuihin osoitteisiin.

Käy verkkosivuillemme osoitteessa www.blackanddecker.fi ja rekisteröi uusi Black & Decker -tuotteesi saadaksesi tietoa uusista tuotteista ja erikoistarjouksista.

Προβλεπόμενη χρήση

Η χλοοκοπτική μηχανή BLACK+DECKER CLMA4825L2 Autosense έχει σχεδιαστεί για κόψιμο γραζόν. Αυτή η συσκευή προορίζεται μόνο για ερασιτεχνική χρήση.

Οδηγίες ασφαλείας

Προειδοποίηση! Κατά τη χρήση συσκευών χωρίς καλώδιο, πρέπει πάντοτε να τηρούνται οι βασικές προφυλάξεις ασφαλείας, συμπεριλαμβανομένων των παρακάτω, για τον περιορισμό του κινδύνου πυρκαγιάς, ηλεκτροπληξίας, τραυματισμού ατόμων και υλικών ζημιών.

Προειδοποίηση! Κατά τη χρήση της μηχανής, πρέπει να τηρούνται οι κανόνες ασφαλείας. Για τη δική σας ασφάλεια και των παρευρισκομένων, διαβάστε αυτές τις οδηγίες πριν να χρησιμοποιήσετε το εργαλείο. Φυλάξτε τις οδηγίες σε ασφαλές μέρος για μεταγενέστερη χρήση.

- ♦ Διαβάστε προσεκτικά όλο το περιεχόμενο αυτού του εγχειριδίου, πριν χρησιμοποιήσετε τη συσκευή.
- ♦ Η προβλεπόμενη χρήση περιγράφεται σε αυτό το εγχειρίδιο. Τόσο η χρήση εξαρτημάτων ή προσαρτημάτων όσο και η πραγματοποίηση οποιασδήποτε εργασίας με τη συσκευή που δεν συνιστάται σε αυτό το εγχειρίδιο οδηγιών εγκυμονεί κίνδυνο τραυματισμού.
- ♦ Φυλάξτε αυτό το εγχειρίδιο για μελλοντική αναφορά.

Χρήση της συσκευής σας

Προσέχετε πάντα όταν χρησιμοποιείτε τη συσκευή.

- ♦ Αυτή η συσκευή δεν προορίζεται για χρήση από νεαρά ή αδύναμα άτομα χωρίς επίβλεψη.

- ♦ Η συσκευή δεν πρέπει να χρησιμοποιείται ως παιχνίδι.
- ♦ Μην επιτρέπετε σε παιδιά ή ζώα να πλησιάσουν στο χώρο εργασίας ή να αγγίξουν τη συσκευή ή το καλώδιο τροφοδοσίας ρεύματος.
- ♦ Απαιτείται στενή επίβλεψη όταν η συσκευή χρησιμοποιείται κοντά σε παιδιά.
- ♦ Να χρησιμοποιείται μόνο σε χώρο χωρίς υγρασία. Μην αφήνετε να βραχεί η συσκευή.
- ♦ Μη βυθίζετε τη συσκευή σε νερό.
- ♦ Μην ανοίγετε το περίβλημα του σώματος της συσκευής.
Δεν υπάρχουν στο εσωτερικό εξαρτήματα που επιδέχονται σέρβις από το χρήστη.
- ♦ Μη χρησιμοποιείτε τη συσκευή σε περιβάλλον όπου υπάρχει κίνδυνος έκρηξης, π.χ. παρουσία εύφλεκτων υγρών, αερίων ή σκόνης.
- ♦ Για να βγάλετε το φιλ από την πρίζα μην τραβάτε ποτέ από το καλώδιο. Έτσι, θα αποφύγετε τον κίνδυνο φθοράς του φιλ και του καλωδίου.

Μετά τη χρήση

- ♦ Όταν δε χρησιμοποιείται, η συσκευή πρέπει να φυλάσσεται σε στεγνό, καλά αεριζόμενο χώρο, μακριά από παιδιά.
- ♦ Τα παιδιά δεν πρέπει να έχουν πρόσβαση σε αποθηκευμένες συσκευές.
- ♦ Όταν η συσκευή αποθηκεύεται ή μεταφέρεται μέσα σε όχημα πρέπει να τοποθετείται στο χώρο αποσκευών ή να

στερεώνεται ώστε να μη μετακινείται σε περίπτωση απότομων μεταβολών της ταχύτητας ή της κατεύθυνσης του οχήματος.

Έλεγχος και επισκευή

- ♦ Πριν από τη χρήση, ελέγξτε τη συσκευή για εξαρτήματα που έχουν υποστεί ζημιά ή βλάβη. Ελέγξτε αν υπάρχουν σπασμένα εξαρτήματα, ζημιά σε διακόπτες και οτιδήποτε άλλο μπορεί να επηρεάσει τη λειτουργία της.
- ♦ Μη χρησιμοποιήσετε τη συσκευή αν οποιοδήποτε εξάρτημα παρουσιάζει ζημιά ή βλάβη.
- ♦ Φροντίστε οποιαδήποτε εξαρτήματα παρουσιάζουν ζημιά ή βλάβη να επισκευαστούν ή να αντικατασταθούν από εξουσιοδοτημένο αντιπρόσωπο σέρβις.
- ♦ Μην επιχειρήσετε ποτέ να αφαιρέσετε ή να αντικαταστήσετε οποιοδήποτε εξάρτημα, εκτός από αυτά που καθορίζονται στο παρόν εγχειρίδιο.
- ♦ Προσέχετε κατά τη ρύθμιση της χλοοκοπτικής μηχανής, για να αποφύγετε εμπλοκή των δακτύλων μεταξύ των κινούμενων λεπίδων/εξαρτημάτων και των σταθερών τμημάτων της μηχανής.
- ♦ Κατά τη συντήρηση των λεπίδων να έχετε υπόψη σας ότι, παρόλο που η πηγή τροφοδοσίας ρεύματος είναι αποσυνδεδεμένη, οι λεπίδες και πάλι μπορούν να κινηθούν.

Πρόσθετες οδηγίες ασφαλείας για χλοοκοπτικές μηχανές

- ♦ Κρατάτε γερά τη λαβή και με τα δύο χέρια όταν χρησιμοποιείτε τη χλοοκοπτική μηχανή.
- ♦ Αν οποιαδήποτε στιγμή είναι απαραίτητο να γείρετε τη χλοοκοπτική μηχανή, βεβαιωθείτε ότι και τα δύο χέρια σας παραμένουν στη θέση χειρισμού ενώ γέροντε τη μηχανή. Κρατήστε και τα δυο σας χέρια στη θέση χειρισμού μέχρι να επαναφέρετε τη χλοοκοπτική μηχανή στην σωστή θέση στο έδαφος.
- ♦ Ποτέ μη φοράτε ακουστικά ραδιοφώνου ή συσκευής αναπαραγωγής μουσικής όταν χειρίζεστε τη χλοοκοπτική μηχανή.
- ♦ Ποτέ μην επιχειρήσετε να πραγματοποιήσετε ρύθμιση του ύψους τροχού όταν το μοτέρ βρίσκεται σε λειτουργία ή όταν το κλειδί ασφαλείας βρίσκεται μέσα στο περίβλημα του διακόπτη.
- ♦ Αν μπλοκάρει η χλοοκοπτική μηχανή, ελευθερώστε την μπάρα λειτουργίας για να την απενεργοποιήσετε, περιμένετε να σταματήσει η λεπίδα και αφαιρέστε το κλειδί ασφαλείας, πριν επιχειρήσετε να αποφράξετε τη χοάνη ή να απομακρύνετε οτιδήποτε από κάτω από το δάπεδο της μηχανής.
- ♦ Μην πλησιάζετε τα χέρια και τα πόδια σας στην περιοχή κοπής.
- ♦ Διατηρείτε τις λεπίδες αιχμηρές. Φοράτε πάντοτε προστατευτικά γάντια όταν χειρίζεστε τη λεπίδα της χλοοκοπτικής μηχανής.

- ♦ Εάν χρησιμοποιείτε το συλλέκτη γρασιδιού, ελέγχετε τον τακτικά για φθορά και υποβάθμιση της κατάστασής του. Εάν έχει φθαρεί υπερβολικά, αντικαταστήστε με νέο συλλέκτη γρασιδιού για τη δική σας ασφάλεια.
- ♦ Επιδεικνύετε εξαιρετική προσοχή όταν κινείστε προς τα πίσω ή τραβάτε τη χλοοκοπτική μηχανή προς το μέρος σας.
- ♦ Μην πλησιάζετε τα χέρια ή τα πόδια σας κοντά ή κάτω από τη χλοοκοπτική μηχανή. Παραμένετε πάντα μακριά από τα ανοίγματα εξαγωγής.
- ♦ Καθαρίστε την περιοχή όπου θα χρησιμοποιηθεί η χλοοκοπτική μηχανή από αντικείμενα όπως πέτρες, ξύλα, σύρματα, παιγνίδια, κόκαλα κλπ., τα οποία μπορούν να εκσφενδονιστούν από τη λεπίδα.
Αντικείμενα τα οποία κτυπούν στη λεπίδα μπορούν να προκαλέσουν σοβαρό τραυματισμό σε άτομα. Παραμένετε πίσω από τη λαβή όταν ο κινητήρας βρίσκεται σε λειτουργία.
- ♦ Μη χρησιμοποιείτε τη χλοοκοπτική μηχανή με γυμνά πόδια ή φορώντας σανδάλια. Φοράτε πάντοτε κλειστά υποδήματα.
- ♦ Μην τραβάτε προς τα πίσω τη χλοοκοπτική μηχανή, εκτός εάν είναι απόλυτα απαραίτητο. Πάντοτε κοιτάτε κάτω και προς τα πίσω πριν και όσο κινείστε προς τα πίσω.
- ♦ Ποτέ μην κατευθύνετε το εξαγόμενο υλικό προς οποιονδήποτε. Αποφύγετε την εξαγωγή υλικού προς κάποιο τοίχο

ή άλλο εμπόδιο. Το υλικό μπορεί να εξοστρακιστεί προς το χειριστή. Απελευθερώστε τη μπάρα λειτουργίας για να απενεργοποιηθεί η χλοοκοπτική μηχανή και να σταματήσει η λεπίδα πριν περάσετε από επιφάνεια με χαλίκια.

- Μη χρησιμοποιείτε τη χλοοκοπτική μηχανή χωρίς ολόκληρο το συλλέκτη γρασιδιού, το προστατευτικό εξαγωγής, το πίσω προστατευτικό και άλλες προστατευτικές διατάξεις ασφαλείας στη θέση τους και σε λειτουργία. Περιοδικά ελέγχετε όλα τα προστατευτικά και τις προστατευτικές διατάξεις ασφαλείας για να εξασφαλίζετε ότι βρίσκονται σε καλή κατάσταση λειτουργίας και ότι θα λειτουργήσουν σωστά επιτελώντας το σκοπό τους. Αντικαταστήστε τυχόν κατεστραμμένο προστατευτικό ή προστατευτική διάταξη ασφαλείας πριν από την περαιτέρω χρήση.
- Ποτέ μην αφήνετε μια χλοοκοπτική μηχανή σε λειτουργία χωρίς επιτήρηση. Να αφαιρείτε πάντα το κλειδί ασφαλείας αν πρόκειται να αφήσετε τη χλοοκοπτική μηχανή χωρίς επιτήρηση.
- Πάντα απελευθερώνετε την μπάρα λειτουργίας για να σταματήσει το μοτέρ, περιμένετε μέχρι να ακινητοποιηθεί απόλυτα η λεπίδα και αφαιρείτε το κλειδί ασφαλείας, πριν καθαρίσετε τη χλοοκοπτική μηχανή, αφαιρέσετε τη σακούλα συλλογής γρασιδιού, αποφράξετε το προστατευτικό εξαγωγής, όταν αφήνετε τη χλοοκοπτική μηχανή

- και πριν εκτελέσετε οποιαδήποτε εργασία ρύθμισης, επισκευής ή ελέγχου.
- Χρησιμοποιείτε τη χλοοκοπτική μηχανή μόνο στο φως της ημέρας ή σε καλό τεχνητό φωτισμό, όταν αντικείμενα που τυχόν βρίσκονται στην πορεία της λεπίδας είναι εύκολα ορατά από την περιοχή χειρισμού της χλοοκοπτικής μηχανής.
- Μη χρησιμοποιείτε τη χλοοκοπτική μηχανή όταν είστε υπό την επίδραση αλκοόλ ή ναρκωτικών ουσιών, ή όταν είστε άρρωστος(-η) ή κουρασμένος(-η). Πάντα να είστε σε επαγρύπνηση, να προσέχετε τι κάνετε και να χρησιμοποιείτε κοινή λογική.
- Αποφεύγετε τα επικίνδυνα περιβάλλοντα. Ποτέ μη χρησιμοποιήσετε τη χλοοκοπτική μηχανή σε υγρό ή βρεγμένο γρασίδι, ούτε στη βροχή. Να είστε πάντοτε σίγουροι για το που πατάτε, και να περπατάτε, μην τρέχετε ποτέ.
- Αν η χλοοκοπτική μηχανή παρουσιάσει ασυνήθιστες δονήσεις, ελευθερώστε την μπάρα λειτουργίας, περιμένετε να σταματήσει η λεπίδα, αφαιρέστε το κλειδί ασφαλείας και στη συνέχεια ελέγξτε αμέσως την αιτία. Οι δονήσεις είναι γενικά προειδοποίηση προβλήματος, δείτε τον οδηγό αντιμετώπισης προβλημάτων για συμβουλές σε περίπτωση μη φυσιολογικών δονήσεων.
- Φοράτε πάντοτε κατάλληλα προστατευτικά ματιών και αναπνοής κατά τη χρήση της χλοοκοπτικής μηχανής.
- Η χρήση οποιουδήποτε αξεσουάρ ή εξαρτήματος δεν συνιστάται για χρήση

- με αυτή τη χλοοκοπτική μηχανή θα μπορούσε να είναι επικίνδυνη. Χρησιμοποιείτε μόνο αξεσουάρ εγκεκριμένα από την BLACK+DECKER.
- Ποτέ μην τεντώνετε υπερβολικά όταν χρησιμοποιείτε τη χλοοκοπτική μηχανή. Να εξασφαλίζετε πάντοτε σωστή στήριξη στα πόδια σας και καλή ισορροπία όταν χρησιμοποιείτε τη χλοοκοπτική μηχανή.
- Σε εδάφη με κλίση, να κουρεύετε εγκάρσια προς την κλίση, ποτέ προς τα πάνω και κάτω. Επιδεικνύετε εξαιρετική προσοχή όταν αλλάζετε κατεύθυνση σε εδάφη με κλίση.
- Να προσέχετε για λακκούβες, αυλάκια, πέτρες ή άλλα κρυμμένα αντικείμενα. Το ανώμαλο έδαφος μπορεί να προκαλέσει ατύχημα λόγω ολίσθησης και πτώσης. Τα ψηλά χόρτα μπορεί να κρύβουν εμπόδια.
- Μην κουρεύετε σε βρεγμένο γρασίδι ή σε εδάφη με υπερβολική κλίση. Το κακό πάτημα μπορεί να προκαλέσει ατύχημα λόγω ολίσθησης και πτώσης.
- Μην κουρεύετε κοντά σε γκρεμούς, χαντάκια ή πρανή. Μπορεί να παραπατήσετε ή να χάσετε την ισορροπία σας.
- Πάντοτε αφήνετε τη χλοοκοπτική μηχανή να κρυώσει πριν το αποθηκεύσετε.

Ασφάλεια τρίτων

- Αυτή η συσκευή μπορεί να χρησιμοποιηθεί από παιδιά ηλικίας 8 ετών και άνω καθώς και από άτομα με μειωμένες σωματικές, αισθητηριακές ή

- διανοητικές ικανότητες ή άτομα χωρίς εμπειρία και γνώσεις, μόνο εφόσον επιτηρούνται ή τους έχουν δοθεί οδηγίες σχετικά με την ασφαλή χρήση της συσκευής και έχουν κατανοήσει τους πιθανούς κινδύνους.
- Τα παιδιά δεν πρέπει να παίζουν με τη συσκευή. Ο καθαρισμός και η συντήρηση από το χρήστη δεν πρέπει να γίνονται από παιδιά χωρίς επίβλεψη.

Υπολειπόμενοι κίνδυνοι

Κατά τη χρήση του εργαλείου μπορεί να δημιουργηθούν επιπρόσθετοι υπολειπόμενοι κίνδυνοι, οι οποίοι ενδέχεται να μη συμπεριλαμβάνονται στις προειδοποιήσεις ασφαλείας που εσωκλείονται. Αυτοί οι κίνδυνοι μπορεί να προκληθούν από κακή χρήση, παρατεταμένη χρήση κλπ. Παρά την εφαρμογή των σχετικών κανονισμών ασφαλείας και τη χρήση διατάξεων ασφαλείας, ορισμένοι υπολειπόμενοι κίνδυνοι δεν είναι δυνατό να αποφευχθούν. Σ' αυτούς περιλαμβάνονται:

- Τραυματισμοί από επαφή με οποιαδήποτε περιστρεφόμενα/κινούμενα μέρη.
- Τραυματισμοί κατά την αλλαγή οποιωνδήποτε εξαρτημάτων, λεπίδων ή αξεσουάρ.
- Σωματικές βλάβες από παρατεταμένη χρήση του εργαλείου. Όταν χρησιμοποιείτε οποιοδήποτε εργαλείο για παρατεταμένα χρονικά διαστήματα, μην παραλείπετε με κανένα τρόπο να κάνετε τακτικά διαλείμματα.
- Βλάβη της ακοής.

- ♦ Κίνδυνοι για την υγεία λόγω εισπνοής σκόνης που αναπτύσσεται κατά τη χρήση του εργαλείου σας (παράδειγμα: εργασία με ξύλο, ειδικά βελανιδιά, οξιά και MDF.)



Οδηγία 2000/14/EK περί εγγυη-
μένης ακουστικής ισχύος.

Πρόσθετες οδηγίες ασφαλείας για μπαταρίες και φορτιστές

Μπαταρίες

- ♦ Ποτέ μην επιχειρήσετε να τις ανοίξετε, για κανένα λόγο.
- ♦ Μην εκθέτετε την μπαταρία σε νερό.
- ♦ Μην εκθέτετε την μπαταρία σε θερμότητα.
- ♦ Μην αποθηκεύετε σε θέσεις όπου η θερμοκρασία ενδέχεται να υπερβεί τους 40 °C.
- ♦ Να φορτίζετε μόνο σε θερμοκρασίες περιβάλλοντος μεταξύ 10 °C και 40 °C.
- ♦ Φορτίζετε μόνο με το φορτιστή που παρέχεται με τη συσκευή/το εργαλείο. Η χρήση λανθασμένου φορτιστή θα μπορούσε να επιφέρει ηλεκτροπληξία, ή υπερθέρμανση της μπαταρίας.
- ♦ Όταν απορρίπτετε τις μπαταρίες, ακολουθήστε τις οδηγίες στην ενότητα «Προστασία του περιβάλλοντος».
- ♦ Μην προξενήσετε ζημιά/παραμορφώσετε το πακέτο μπαταρίας είτε με χτύπημα είτε με κρούση, επειδή αυτό μπορεί να προκαλέσει κίνδυνο τραυματισμού και πυρκαγιάς.
- ♦ Μη φορτίζετε μπαταρίες που έχουν υποστεί ζημιά.
- ♦ Κάτω από ακραίες συνθήκες, μπορεί να επέλθει διαρροή υγρών της μπαταρίας. Αν παρατηρήσετε υγρό πάνω στις μπαταρίες, σκουπίστε το



Προειδοποίηση! Διαβάστε το εγχειρίδιο οδηγιών πριν από τη λειτουργία.



Μην εκθέτετε τη συσκευή σε βροχή ή υψηλά επίπεδα υγρασίας.



Προσέχετε τις αιχμηρές λεπίδες. Οι λεπίδες συνεχίζουν να κινούνται και μετά την απενεργοποίηση της μηχανής. Πάντα να αφαιρείτε το κλειδί ασφαλείας πριν καθαρίσετε τη χλοοκοπτική μηχανή, αφαιρέσετε τη σακούλα συλλογής γρασιδιού, αποφράξετε το προστατευτικό εξαγωγής, όταν αφήνετε τη χλοοκοπτική μηχανή ή πριν εκτελέσετε οποιαδήποτε εργασία ρύθμισης, επισκευής ή ελέγχου.



Προσέχετε για τυχόν αντικείμενα που εκσφενδονίζονται. Μην αφήνετε να πλησιάσουν άλλα άτομα στην περιοχή κοπής.



Φοράτε προστασία ματιών

προσεκτικά με ένα πανί. Αποφύγετε την επαφή με το δέρμα.

- ♦ Σε περίπτωση επαφής με το δέρμα ή τα μάτια, ακολουθήστε τις παρακάτω οδηγίες.

Προειδοποίηση! Το υγρό της μπαταρίας μπορεί να προκαλέσει τραυματισμό ή υλικές ζημιές.

Στην περίπτωση επαφής με το δέρμα, ξεπλύνετε αμέσως με άφθονο νερό. Αν παρουσιαστεί κοκκίνισμα του δέρματος, πόνος ή ερεθισμός, ζητήστε ιατρική βοήθεια. Στην περίπτωση επαφής με τα μάτια, ξεπλύνετε αμέσως με άφθονο καθαρό νερό και ζητήστε ιατρική βοήθεια.



Μην επιχειρήσετε να φορτίσετε μπαταρίες που έχουν υποστεί ζημιά.

Φορτιστές

Ο φορτιστής σας είναι σχεδιασμένος για μια συγκεκριμένη ηλεκτρική τάση. Ελέγχετε πάντα ότι η τάση ρεύματος δικτύου συμφωνεί με αυτήν που αναγράφεται στην πινακίδα τεχνικών χαρακτηριστικών.

Προειδοποίηση! Ποτέ μην επιχειρήσετε να αντικαταστήσετε το φορτιστή με κανονικό φως ρεύματος δικτύου.

- ♦ Ο φορτιστής BLACK+DECKER πρέπει να χρησιμοποιείται αποκλειστικά και μόνο για τη φόρτιση της μπαταρίας στη συσκευή/το εργαλείο που συνόδευε. Άλλες μπαταρίες ενδέχεται να σκάσουν, προκαλώντας τραυματισμό από μωβ και ζημιές.

- ♦ Μην επιχειρήσετε ποτέ να φορτίσετε μη επαναφορτιζόμενες μπαταρίες.
- ♦ Αν το καλώδιο ρεύματος έχει υποστεί ζημιά, πρέπει να αντικατασταθεί από τον κατασκευαστή ή εξουσιοδοτημένο κέντρο σέρβις BLACK+DECKER για την αποφυγή κινδύνου.
- ♦ Μην εκθέτετε το φορτιστή σε νερό.
- ♦ Μην ανοίξετε το φορτιστή.
- ♦ Μην εισάγετε οποιαδήποτε αντικείμενα μέσα στο φορτιστή.
- ♦ Κατά τη φόρτιση, η συσκευή/το εργαλείο/η μπαταρία πρέπει να βρίσκεται σε επαρκώς αεριζόμενο χώρο.



Ο φορτιστής προορίζεται για χρήση μόνο σε εσωτερικούς χώρους.



Διαβάστε το εγχειρίδιο οδηγιών πριν τη χρήση.

Ασφαλής χρήση ηλεκτρικού ρεύματος



Ο φορτιστής σας φέρει διπλή μόνωση. Επομένως, δεν απαιτείται αγωγός γείωσης. Ελέγχετε πάντα ότι η τάση ρεύματος δικτύου συμφωνεί με αυτήν που αναγράφεται στην πινακίδα τεχνικών χαρακτηριστικών. Ποτέ μην επιχειρήσετε να αντικαταστήσετε το φορτιστή με κανονικό φως ρεύματος δικτύου.

- ♦ Αν το καλώδιο ρεύματος έχει υποστεί ζημιά, πρέπει να αντικατασταθεί από τον κατασκευαστή ή εξουσιοδοτημένο

Κέντρο σέρβις BLACK+DECKER για την αποφυγή κινδύνου.

Φόρτιση της μπαταρίας (Εικ. Α)

Η μπαταρία πρέπει να φορτιστεί πριν την πρώτη χρήση και όταν δεν μπορεί να παρέχει επαρκή ισχύ σε εργασίες που πριν γινόντουσαν εύκολα.

Η μπαταρία μπορεί να θερμαίνεται κατά τη φόρτιση. Κάτι τέτοιο είναι φυσιολογικό και δεν υποδηλώνει πρόβλημα.

Προειδοποίηση! Μη φορτίζετε την μπαταρία σε θερμοκρασίες περιβάλλοντος κάτω από 10 °C ή πάνω από 40 °C. Η συνιστώμενη θερμοκρασία φόρτισης είναι περίπου 24 °C.

Σημείωση: Ο φορτιστής δε θα φορτίσει μια μπαταρία με θερμοκρασία κυψέλης κάτω από περίπου 10 °C ή πάνω από 40 °C.

Η μπαταρία θα πρέπει να μείνει στο φορτιστή και αυτός θα αρχίσει να τη φορτίζει αυτόματα μόλις η θερμοκρασία κυψέλης αυξηθεί ή μειωθεί αντίστοιχα.

- ◆ Συνδέστε το φορτιστή σε κατάλληλη πρίζα πριν τοποθετήσετε το πακέτο μπαταρίας.
- ◆ Εισάγετε το πακέτο μπαταρίας στο φορτιστή.



Η πράσινη λυχνία LED θα αναβοσβήνει υποδεικνύοντας ότι η μπαταρία φορτίζεται.



Η ολοκλήρωση της φόρτισης υποδεικνύεται από την πράσινη LED συνεχώς υπόλοιπα. Το πακέτο είναι πλήρως φορτισμένη και μπορεί να χρησιμοποιηθεί αυτή τη στιγμή ή αργότερα στο φορτίο.

Προειδοποίηση! Επαναφορτίζετε τις αποφορτισμένες μπαταρίες το συντομότερο δυνατόν μετά τη χρήση, διαφορετικά μπορεί να μειωθεί πολύ η διάρκεια ζωής τους.

Διαγνωστικά φορτιστή

Αυτός ο φορτιστής έχει σχεδιαστεί ώστε να ανιχνεύει ορισμένα προβλήματα που μπορούν να προκύψουν με πακέτα μπαταριών ή με την πηγή ρεύματος. Τα προβλήματα υποδεικνύονται από μια λυχνία LED που αναβοσβήνει με διαφορετικά μοτίβα αναλαμπών.

Προβληματική μπαταρία



Ο φορτιστής μπορεί να ανιχνεύσει ότι μια μπαταρία είναι εξασθενημένη ή έχει υποστεί ζημιά. Η κόκκινη λυχνία LED αναβοσβήνει με το μοτίβο αναλαμπών που υποδεικνύεται στην ετικέτα. Αν δείτε αυτό το μοτίβο αναλαμπών που αντιστοιχεί σε προβληματική μπαταρία, μη συνεχίσετε τη φόρτιση της μπαταρίας. Επιστρέψτε την σε κέντρο σέρβις ή σε θέση συλλογής για ανακύκλωση.

Καθυστέρηση θερμού/ψυχρού πακέτου μπαταρίας



Αν ο φορτιστής ανιχνεύσει μπαταρία με υπερβολικά υψηλή ή χαμηλή θερμοκρασία, ξεκινά αυτόματα μια Καθυστέρηση θερμού/ψυχρού πακέτου μπαταρίας, αναστέλλοντας τη φόρτιση έως ότου η μπαταρία έχει φθάσει σε κατάλληλη θερμοκρασία. Αφού συμβεί αυτό, ο φορτιστής μεταβαίνει αυτόματα σε λειτουργία φόρτισης του πακέτου. Αυτή η λειτουργία διασφαλίζει τη μέγιστη διάρκεια ζωής της μπαταρίας. Η κόκκινη λυχνία LED αναβοσβήνει με το μοτίβο αναλαμπών που υποδεικνύεται στην ετικέτα όταν ανιχνευτεί η καθυστέρηση θερμού/ψυχρού πακέτου μπαταρίας.

Παραμονή της μπαταρίας στο φορτιστή

Ο φορτιστής και η μπαταρία μπορούν να παραμείνουν συνδεδεμένα με τη λυχνία LED αναμμένη επί αόριστον. Ο φορτιστής θα διατηρήσει το πακέτο μπαταρίας σε βέλτιστη κατάσταση και πλήρως φορτισμένο.

Χαρακτηριστικά

Η παρούσα συσκευή περιλαμβάνει μερικά ή όλα από τα παρακάτω στοιχεία.

1. Κουτί διακόπτη
2. Λαβή λειτουργίας
3. Πάνω λαβή
4. Κάτω λαβή
5. Μοχλοί πάνω λαβής (2)
6. Μοχλοί κάτω λαβής (2)
7. Μοχλός ρύθμισης ύψους κοπής
8. Σακούλα συλλογής γρασιδιού
9. Κάλυμμα πίσω πόρτας
10. Διαμέρισμα μπαταρίας
11. Διαμέρισμα αποθήκευσης μπαταρίας
12. Λαβές μεταφοράς
13. EdgeMax™

Τοποθέτηση και αφαίρεση του πακέτου μπαταρίας (εικ. Β - C)

- ◆ Πιέστε το κουμπί απασφάλισης (14) του καλύμματος διαμερίσματος μπαταρίας και τραβήξτε το κάλυμμα (15) του

διαμερίσματος μπαταρίας προς τα πάνω για να ανοίξει το διαμέρισμα μπαταρίας (10) όπως δείχνει η εικόνα Β.

- ◆ Τοποθετήστε την μπαταρία (16) μέσα στο διαμέρισμα μπαταρίας έως ότου εδράσει πλήρως και ακουστεί χαρακτηριστικός ήχος κλικ (εικόνα C). Βεβαιωθείτε ότι το πακέτο μπαταρίας έχει εδράσει πλήρως και έχει ασφαλιστεί πλήρως στη θέση του.
- ◆ Κλείστε το κάλυμμα του διαμερίσματος μπαταρίας. Βεβαιωθείτε ότι το κάλυμμα έχει ασφαλίσει πλήρως πριν θέσετε σε λειτουργία τη χλοοκοπτική μηχανή.

Για να αφαιρέσετε το πακέτο μπαταρίας (εικ. D)

- ◆ Ανοίξτε το κάλυμμα (15) του διαμερίσματος μπαταρίας.
- ◆ Πατήστε το κουμπί απελευθέρωσης της μπαταρίας (17) πάνω στο πακέτο μπαταρίας και τραβήξτε το πακέτο μπαταρίας έξω από το εργαλείο, όπως δείχνει η εικόνα D.

Διαμέρισμα αποθήκευσης μπαταρίας

Μπορείτε να αποθηκεύσετε μια πρόσθετη μπαταρία χρησιμοποιώντας το διαμέρισμα αποθήκευσης μπαταρίας (11).

- ◆ Ανυψώστε το κάλυμμα του διαμερίσματος αποθήκευσης και τοποθετήστε την μπαταρία μέσα στο διαμέρισμα όπως δείχνει η εικόνα E. Η μπαταρία σε αυτό το διαμέρισμα δεν θα ενεργοποιήσει τη χλοοκοπτική μηχανή.
- ◆ Βιδώστε τους σφικτήρες ταχείας απελευθέρωσης (7) της πάνω λαβής μέσω της κάτω λαβής στα παξιμάδια των σφικτήρων (20). Όταν οι σφικτήρες ταχείας απελευθέρωσης της πάνω λαβής βιδωθούν ως τη μέση, κλείστε τους σφικτήρες ταχείας απελευθέρωσης (εικ. G). Αν η σύνδεση μεταξύ της λαβής και των σφικτήρων ταχείας απελευθέρωσης είναι υπερβολικά σφικτή ή χαλαρή, προσαρμόστε το βάθος των σφικτήρων ταχείας απελευθέρωσης και κλείστε τους ξανά έως ότου τα δόντια να είναι εντελώς κλειστά.

Συναρμολόγηση

Προειδοποίηση! Πριν τη συναρμολόγηση, βεβαιωθείτε ότι το εργαλείο είναι απενεργοποιημένο και ότι το κλειδί ασφαλείας και η μπαταρία έχουν αφαιρεθεί.

Τοποθέτηση της κάτω λαβής (εικ. F)

- ◆ Ανυψώστε την κάτω λαβή (4) στη θέση της διασφαλίζοντας ότι το βέλος (18) στη βάση της χλοοκοπτικής μηχανής ευθυγραμμίζεται με το 1, 2 ή 3 στη βάση της λαβής (19) (ένθετο της εικόνας F).

Σημείωση! Βεβαιωθείτε ότι κάθε πλευρά της κάτω λαβής ρυθμίζεται στον ίδιο αριθμό. Το βέλος πρέπει να είναι ευθυγραμμισμένο με το 1, 2 ή 3 για τη λειτουργία.

- ◆ Κλείστε τους μοχλούς ρύθμισης ύψους λαβής (7) όπως δείχνει η εικόνα F. Καθώς κλείνετε τον καθένα, βεβαιωθείτε ότι τα δόντια συμπλέκονται όπως δείχνει η εικόνα G.
- ◆ Αν η σύνδεση ανάμεσα στη λαβή και στο μοχλό είναι πολύ σφιχτή ή πολύ χαλαρή, ανοίξτε το μοχλό και

ρυθμίστε το βάθος του μοχλού περιστρέφοντας το μοχλό. Κλείστε τον πάλι έως ότου τα δόντια έχουν συσφιχτεί πλήρως και κάθε μοχλός παραμένει καλά κλεισμένος.

Τοποθέτηση της πάνω λαβής (εικ. H)

- ◆ Αφαιρέστε από τη λαβή τους μοχλούς τοποθέτησης της πάνω λαβής (5), τα παξιμάδια (20) και τις ροδέλες (21).
- ◆ Ευθυγραμμίστε τις σπές στο κάτω μέρος της πάνω λαβής (3) με τις σπές στο πάνω μέρος της κάτω λαβής (4).

Σημείωση: Βεβαιωθείτε ότι το καλώδιο βρίσκεται στο μπροστινό μέρος και των δύο λαβών. Αν δεν είναι, το καλώδιο μπορεί να μπερδευτεί και να μην μπορεί να αποθηκευτεί εύκολα η χλοοκοπτική μηχανή (εικ. I)

- ◆ Από το εξωτερικό μέρος της πάνω λαβής (3), περάστε το μοχλό του μοχλού μέσω από τις σπές.
- ◆ Περάστε τη ροδέλα πάνω στο μπουλόνι του μοχλού και συναρμολογήστε χαλαρό ολόκληρο το συγκρότημα χωρίς το παξιμάδι.
- ◆ Περιστρέψτε την πάνω λαβή στη θέση λειτουργίας της.
- ◆ Κλείστε το μοχλό. Αν είναι πολύ σφιχτός ή πολύ χαλαρός, ανοίξτε το μοχλό και το παξιμάδι για να ρυθμίσετε τη σύσφιξη. Ελέγξτε τους μοχλούς κλείνοντάς τους. Θα πρέπει να είναι τόσο σφιχτοί ώστε οι λαβές να συγκρατούνται σταθερά, αλλά αρκετά χαλαροί ώστε οι μοχλοί να μπορούν να κλείσουν πλήρως. Ρυθμίστε ανοίγοντας το μοχλό και περιστρέφοντας το παξιμάδι έως ότου έχουν ασφαλίσει οι λαβές.

Ασφάλιση του καλωδίου του μοτέρ (εικ. J)

Προειδοποίηση: Συνδέστε το καλώδιο ώστε να μην είναι πολύ τεντωμένο ή να μην πιαστεί στις ενώσεις των λαβών κατά τη χρήση ή την αναδίπλωση. Αυτό μπορεί να προκαλέσει ζημιά στο καλώδιο.

Το καλώδιο (22) του μοτέρ πρέπει να στερεωθεί στις λαβές με χρήση των σφικτήρων καλωδίου (23) που είναι ήδη συνδεδεμένοι στη λαβή για να κουμπωθεί το καλώδιο στη λαβή:

- ◆ Τοποθετήστε τις λαβές σε θέση λειτουργίας, βλέπε την ενότητα «Τοποθέτηση της κάτω λαβής».
- ◆ Περάστε το καλώδιο προς τα πάνω από το μπροστινό μέρος της κάτω και πάνω λαβής.
- ◆ Τραβήξτε πίσω το σφικτήρα καλωδίου.
- ◆ Περάστε το καλώδιο του μοτέρ κάτω από το κλιπ και βεβαιωθείτε ότι συγκρατείται πλήρως στη θέση του από το σφικτήρα καλωδίου.

Συλλογή σε σάκο

- ◆ Βεβαιωθείτε ότι το πλευρικό πρόσθετο εξάρτημα εξαγωγής (27) (εικ. M) και το ένθετο τεμαχισμού (26) (εικ. L) έχουν αφαιρεθεί από τη χλοοκοπτική μηχανή πριν την έναρξη συλλογής σε σάκο.
- ◆ Ανυψώστε το κάλυμμα (9) της πίσω πόρτας και τοποθετήστε το σάκο συλλογής γρασιδιού (8) πάνω στη

χλοοκοπτική μηχανή ώστε τα άγκιστρα (24) του σάκου να στηρίζονται πάνω στα ωτία (25) όπως δείχνει η εικόνα Κ. Κατόπιν κατεβάστε το κάλυμμα της πίσω πόρτας.

Τεμαχισμός

- ◆ Βεβαιωθείτε ότι δεν έχουν συνδεθεί το πρόσθετο εξάρτημα πλευρικής εξαγωγής (27) και ο σάκος συλλογής (8).
- ◆ Ανυψώστε το κάλυμμα της πίσω πόρτας (9) και τοποθετήστε το ένθετο τεμαχισμού (26) πλήρως μέσα στη χλοοκοπτική μηχανή όπως δείχνει η εικόνα Λ.
- ◆ Βεβαιωθείτε ότι το κάλυμμα της πίσω πόρτας κλείνει τελείως, πριν ενεργοποιήσετε τη χλοοκοπτική μηχανή.

Πλευρική εξαγωγή

- ◆ Βεβαιωθείτε ότι έχει αφαιρεθεί ο σάκος συλλογής (8).
- ◆ Ανυψώστε το πίσω κάλυμμα (9) και τοποθετήστε το ένθετο τεμαχισμού (26) πλήρως μέσα στη χλοοκοπτική μηχανή όπως δείχνει η εικόνα Λ.
- ◆ Ανυψώστε το πλευρικό κάλυμμα (28) και αγκιστρώστε το πρόσθετο εξάρτημα πλευρικής εξαγωγής (27) πλήρως μέσα στη χλοοκοπτική μηχανή όπως δείχνει η εικόνα Μ.
- ◆ Ελευθερώστε το πλευρικό κάλυμμα και βεβαιωθείτε ότι το πρόσθετο εξάρτημα διατηρείται στη θέση του πριν ενεργοποιήσετε τη χλοοκοπτική μηχανή όπως φαίνεται στο ένθετο της εικόνας Μ.

Λειτουργία

Προειδοποίηση! Αφήνετε τη χλοοκοπτική μηχανή να λειτουργεί με το δικό του ρυθμό. Μην το υπερφορτώνετε.

Ρύθμιση ύψους λαβής (εικ. Ν)

- ◆ Ανοίξτε και τους δύο μοχλούς σύνδεσης (6) της κάτω λαβής.
- ◆ Ρυθμίστε τη λαβή έτσι ώστε το βέλος (18) στη βάση της χλοοκοπτικής μηχανής να ευθυγραμμίζεται με το 1, 2 ή 3 στη βάση της λαβής (19). Βεβαιωθείτε ότι η λαβή έχει ρυθμιστεί στον ίδιο αριθμό και στις δύο πλευρές της χλοοκοπτικής μηχανής.
- ◆ Κλείστε και τους δύο μοχλούς και βεβαιωθείτε ότι η λαβή έχει ασφαλίσει καλά.

Ρύθμιση ύψους χλοοκοπτικής μηχανής (εικ. Ο)

Το ύψος κοπής ρυθμίζεται από τον κεντρικό μοχλό ρύθμισης ύψους κοπής - υπάρχουν 7 θέσεις για να επιλέξετε.

Σημείωση: Αν δεν είστε βέβαιοι για το ύψος κοπής, αρχίστε το κούρεμα με το μοχλό ρύθμισης ύψους (7) στη θέση 7 και ρυθμίστε το ύψος προς τα κάτω όπως χρειάζεται, όπως δείχνει η εικόνα Ο.

Για να ρυθμίσετε το ύψος κοπής:

- ◆ Τραβήξτε το μοχλό ρύθμισης ύψους της χλοοκοπτικής μηχανής έξω από την εγκοπή ασφαλίσης.
- ◆ Μετακινήστε το μοχλό προς το πίσω μέρος της συσκευής για να χαμηλώσετε το ύψος κοπής.

- ◆ Μετακινήστε το μοχλό προς το μπροστινό μέρος της συσκευής για να ανεβάσετε το ύψος κοπής.
- ◆ Πιέστε το μοχλό ρύθμισης ύψους σε μια από τις 7 εγκοπές ασφαλίσης.

Κλειδί ασφαλείας

Προειδοποίηση! Για να αποτρέψετε την αθέλητη εκκίνηση ή τη μη εξουσιοδοτημένη χρήση της χλοοκοπτικής μηχανής μπαταρίας, έχει προβλεφθεί ένα αφαιρούμενο κλειδί ασφαλείας (29) στο σχεδιασμό της μηχανής. Η χλοοκοπτική μηχανή θα είναι τελείως απενεργοποιημένη όταν έχει αφαιρεθεί το κλειδί ασφαλείας.

Σημείωση: Το κλειδί ασφαλείας έχει μια οπή στο κέντρο του για να επιτρέπει τη φύλαξη τους σε ένα καρφί, μακριά από παιδιά. Μην προσδένετε το κλειδί ασφαλείας στη χλοοκοπτική μηχανή.

- ◆ Εισάγετε το κλειδί ασφαλείας (29) μέσα στο περίβλημα διακόπτη έως ότου εδράσει πλήρως μέσα στο περίβλημα όπως δείχνει η εικόνα Ρ. Τώρα η χλοοκοπτική μηχανή είναι λειτουργική.
- ◆ Η χλοοκοπτική μηχανή διαθέτει ειδικό κιβώτιο διακόπτη ενεργοποίησης - απενεργοποίησης. Για να χρησιμοποιήσετε τη χλοοκοπτική μηχανή, πατήστε το κουμπί (30) στο κιβώτιο διακόπτη (1) και κατόπιν τραβήξτε τη λαβή λειτουργίας (2) προς το τιμόνι, όπως δείχνει η εικόνα Q.
- ◆ Για να απενεργοποιήσετε τη χλοοκοπτική μηχανή, απλά ελευθερώστε τη λαβή λειτουργίας.

Προειδοποίηση! Ποτέ μην επιχειρήσετε να ασφαλίσετε ένα διακόπτη ή τη λαβή λειτουργίας στην ενεργοποιημένη θέση.

Σημείωση: Όταν η λαβή λειτουργίας επιστρέψει στην αρχική της θέση θα ενεργοποιήσει τον «αυτόματο μηχανισμό πέδησης». Στο μοτέρ εφαρμόζεται ηλεκτρική πέδηση και τη λεπίδα της χλοοκοπτικής μηχανής θα σταματήσει να περιστρέφεται σε 3 δευτερόλεπτα ή συντομότερα.

Υπερφόρτωση της χλοοκοπτικής μηχανής

Για να αποτρέψετε ζημιά λόγω συνθηκών υπερφόρτωσης, μην επιχειρείτε να αφαιρέτε πάρα πολύ γρασίδι με τη μία. Μειώστε το ρυθμό κοπής ή αυξήστε το ύψος της κοπής.

EdgeMax™

Το EdgeMax™ (13) σας επιτρέπει να κόψετε γρασίδι έως την άκρη ενός τοίχου ή φράκτη (εικ. Ρ).

Το EdgeMax™ σας επιτρέπει να κόψετε με ακρίβεια γρασίδι ακριβώς μέχρι τις παρυφές του γκαζόν σας (εικ. R1).

- ◆ Με τη χλοοκοπτική μηχανή παράλληλα με το άκρο του γκαζόν, στρώστε τη μηχανή κατά μήκος του άκρου. Βεβαιωθείτε ότι το EdgeMax™ έχει περάσει ελαφρά το άκρο του γκαζόν σας (εικ. R1).

Σημείωση: Όταν είναι συνδεδεμένο το πρόσθετο εξάρτημα πλευρικής εξαγωγής, το EdgeMax™ μπορεί να χρησιμοποιηθεί μόνο στη δεξιά πλευρά της χλοοκοπτικής μηχανής.

Τεχνολογία Auto sense™

Η τεχνολογία Auto sense™ προσδιορίζει το πάχος του γρασιδιού και κάνει τις αντίστοιχες ρυθμίσεις ισχύος. Για παχύτερο γρασίδι, η χλοοκοπτική μηχανή χρησιμοποιεί υψηλότερη ισχύ, ενώ σε μικρότερο πάχους γρασίδι, η χλοοκοπτική μηχανή μειώνει την έξοδο ισχύος, για τη διατήρηση της διάρκειας ζωής της μπαταρίας και για την επιμήκυνση του χρόνου λειτουργίας

Φύλαξη

Προειδοποίηση! Η περιστρεφόμενη λεπίδα μπορεί να προκαλέσει σοβαρό τραυματισμό. Ελευθερώστε τη λαβή λειτουργίας (2) για να απενεργοποιήσετε η χλοοκοπτική μηχανή, αφαιρέστε το κλειδί ασφαλείας και αφαιρέστε την μπαταρία πριν ανυψώσετε, μεταφέρετε ή αποθηκεύσετε η χλοοκοπτική μηχανή. Αποθηκεύστε σε δροσερό μέρος.

Προειδοποίηση! Για να αποφύγετε εμπλοκή των δακτύλων σας, κρατάτε τα μακριά από την περιοχή ανάμεσα στις λαβές όταν διπλώνετε τις λαβές.

Προειδοποίηση! Βεβαιωθείτε ότι το καλώδιο δεν τεντώνεται υπερβολικά και δεν πιάνεται στις ενώσεις των λαβών όταν τις διπλώνετε. Αυτό μπορεί να προκαλέσει ζημιά στο καλώδιο. Η λαβή της χλοοκοπτικής μηχανής μπορεί να διπλωθεί εύκολα, για γρήγορη και άνετη αποθήκευση.

- ◆ Κρατώντας τη λαβή, ανοίξτε, αλλά μην αφαιρέσετε τους μοχλούς τοποθέτησης (6) της κάτω λαβής και διπλώστε τη λαβή προς το μπροστινό μέρος της χλοοκοπτικής μηχανής όπως δείχνει η εικόνα S.
- ◆ Ανοίξτε, αλλά μην αφαιρέσετε, τους μοχλούς τοποθέτησης (5) της πάνω λαβής και διπλώστε την πάνω λαβή (3) προς τα πίσω, πάνω από την κάτω λαβή (4) όπως φαίνεται στην εικόνα T.
- ◆ Η χλοοκοπτική μηχανή πρέπει να διπλώνεται σε μικρότερες διαστάσεις όπως δείχνει η εικόνα U.

Μεταφορά της χλοοκοπτικής μηχανής

- ◆ Μπορείτε να μεταφέρετε τη χλοοκοπτική μηχανή από τις βολικές λαβές μεταφοράς (12) όπως δείχνει η εικόνα V.
- ΜΗΝ** επιχειρήσετε να ανυψώσετε τη χλοοκοπτική μηχανή πιάνοντας την πάνω λαβή (3) ή την κάτω λαβή (4).

Συμβουλές για κούρεμα του γκαζόν

Προειδοποίηση! Να επιθεωρείτε πάντα την περιοχή όπου θα χρησιμοποιήσετε τη χλοοκοπτική μηχανή και να απομακρύνετε όλες τις πέτρες, ξύλα, σύρματα, κόκαλα και άλλα αντικείμενα τα οποία μπορούν να εκσφενδονιστούν από την περιστρεφόμενη λεπίδα.

Προειδοποίηση! Σε εδάφη με κλίση, να κουρεύετε κατά το πλάτος της κλίσης και ποτέ προς τα πάνω και κάτω. Επιδεικνύετε εξαιρετική προσοχή όταν αλλάζετε κατεύθυνση σε εδάφη με κλίση. Μην κουρεύετε σε υπερβολικά απότομες κλίσεις. Να διατηρείτε πάντα καλή στήριξη με τα πόδια.

- ◆ Ελευθερώστε τη λαβή λειτουργίας για να απενεργοποιήσετε τη χλοοκοπτική μηχανή όταν διασχίζετε επιφάνεια με χαλίκια (μπορεί να εκσφενδονιστούν πέτρες από τη λεπίδα).
- ◆ Ρυθμίστε τη χλοοκοπτική μηχανή στο μεγαλύτερο ύψος κοπής όταν κουρεύετε σε σκληρό έδαφος ή σε ψηλά αγριόχορτα. Η απομάκρυνση υπερβολικής ποσότητας γρασιδιού με τη μία μπορεί να προκαλέσει υπερφόρτωση του μοτέρ και διακοπή της λειτουργίας του. Ανατρέξτε στον οδηγό αντιμετώπισης προβλημάτων.
- ◆ Εάν χρησιμοποιήσετε τη σακούλα συλλογής γρασιδιού (8) κατά την εποχή υψηλής βλάστησης, το γρασίδι μπορεί να έχει την τάση να φράζει το άνοιγμα εξαγωγής. Ελευθερώστε τη λαβή λειτουργίας για να απενεργοποιήσετε τη χλοοκοπτική μηχανή και αφαιρέστε το κλειδί ασφαλείας. Αφαιρέστε το συλλέκτη γρασιδιού και ανακινήστε τον ώστε το γρασίδι να πέσει στο πίσω άκρο του σάκου. Επίσης, καθαρίστε τυχόν γρασίδι ή υπολείμματα που μπορεί να έχουν συσσωρευτεί περιμετρικά στο άνοιγμα εξαγωγής. Επανατοποθετήστε το συλλέκτη γρασιδιού.
- ◆ Σε περίπτωση που η χλοοκοπτική μηχανή αρχίσει να παρουσιάζει ασυνήθιστες δονήσεις, ελευθερώστε τη λαβή λειτουργίας για να απενεργοποιήσετε τη χλοοκοπτική μηχανή και αφαιρέστε το κλειδί ασφαλείας. Ελέγξτε άμεσα για την αιτία. Οι δονήσεις είναι προειδοποίηση προβλημάτων. Μην χρησιμοποιήσετε τη χλοοκοπτική μηχανή μέχρι να γίνει έλεγχος από το σέρβις. Ανατρέξτε στον οδηγό αντιμετώπισης προβλημάτων του εγχειρίδιο.
- ◆ Πάντα να ελευθερώνετε τη λαβή λειτουργίας για να απενεργοποιείτε τη χλοοκοπτική μηχανή και να αφαιρέτε το κλειδί ασφαλείας όταν αφήνετε τη μηχανή χωρίς επίτηρησή ακόμη και για μικρό χρονικό διάστημα.

Συμβουλές για βέλτιστη χρήση:

- ◆ Μειώστε την ταχύτητα κίνησης σε περιοχές όπου το γρασίδι είναι ιδιαίτερα ψηλό ή πυκνό.
- ◆ Αποφεύγετε να κουρεύετε το γρασίδι όταν είναι βρεγμένο από βροχή ή έχει μουσκέψει από δροσιά.
- ◆ Κουρεύετε το γκαζόν σας συχνά, ειδικά κατά τις περιόδους ταχείας αύξησης.

Σημείωση: Συνιστάται να επαναφορτίζετε τη χλοοκοπτική μηχανή μετά τη χρήση, για να επιμηκύνετε τη διάρκεια ζωής της μπαταρίας. Η συχνή φόρτιση δεν θα βλάψει την μπαταρία σας, ενώ θα διασφαλίσει ότι η μπαταρία σας είναι πλήρως φορτισμένη και έτοιμη για την επόμενη χρήση της. Η αποθήκευση της μπαταρίας σε μη πλήρως φορτισμένη κατάσταση θα μειώσει τη διάρκεια ζωής της μπαταρίας.

Αφαίρεση και εγκατάσταση λεπίδας

Προειδοποίηση! Όταν επανασυναρμολογείτε το σύστημα λεπίδων, να βεβαιώνετε ότι κάθε εξάρτημα έχει επανεγκατασταθεί σωστά, όπως περιγράφεται παρακάτω.

Η ακατάλληλη συναρμολόγηση της λεπίδας ή άλλων εξαρτημάτων του συστήματος λεπίδας μπορεί να προκαλέσει σοβαρό τραυματισμό.

Προειδοποίηση! Ελευθερώστε τη λαβή λειτουργίας για να απενεργοποιήσετε τη χλοοκοπτική μηχανή, περιμένετε μέχρι να σταματήσει η λεπίδα και αφαιρέστε το κλειδί ασφαλείας και το πακέτο μπαταρίας.

- ◆ Κόψτε ένα τεμάχιο ξύλου 2»x4» (31) (μήκους περίπου 610 mm) (2 ποδιών) για να εμποδίσετε την περιστροφή της λεπίδας κατά την αφαίρεση του μπουλονιού (32).
- ◆ Να φοράτε γάντια και κατάλληλα προστατευτικά των ματιών.
- ◆ Γυρίστε τη χλοοκοπτική μηχανή στο πλάι του. Προσέχετε τις κοφτερές άκρες της λεπίδας. Τοποθετήστε το ξύλο και ξεβιδώστε το μπουλόνι με κλειδί 1/2" (33) όπως δείχνει η εικόνα W.
- ◆ Αφαιρέστε το μπουλόνι και τη ροδέλα (34). Τραβήξτε και αφαιρέστε τη λεπίδα (35) όπως φαίνεται στην εικόνα X. Δεν πρέπει να αφαιρέσετε τον ανεμιστήρα (36). Εξετάστε όλα τα μέρη για ζημιές και αντικαταστήστε αν χρειάζεται.
- ◆ Η λεπίδα μπορεί να συνδεθεί στον ανεμιστήρα μόνο σε μια κατεύθυνση. Για την επανατοποθέτηση, ευθυγραμμίστε την οπή σχήματος D της λεπίδας με την προεξοχή σχήματος D του ανεμιστήρα και βεβαιωθείτε ότι η επιγραφή πάνω στη λεπίδα κοιτάζει προς τα έξω, αντίθετα με τη χλοοκοπτική μηχανή.
- ◆ Για να σφίξετε καλά, τοποθετήστε το κομμάτι του ξύλου όπως δείχνει η εικόνα Y, για να εμποδίσετε να περιστραφεί η λεπίδα. Περάστε το μπουλόνι μέσα από τη ροδέλα και βιδώστε το μπουλόνι στη θέση του. Σφίξτε με το κλειδί.

Ακόνισμα της λεπίδας

Διατηρείτε τη λεπίδα κοφτερή για να έχετε την καλύτερη δυνατή απόδοση από τη χλοοκοπτική μηχανή. Μια στομωμένη λεπίδα δεν κόβει καλά το γρασίδι. Χρησιμοποιείτε κατάλληλη προστασία των ματιών ενώ αφαιρείτε, ακονίζετε και εγκαθιστάτε τη λεπίδα. Βεβαιωθείτε ότι έχουν αφαιρεθεί το κλειδί ασφαλείας και το πακέτο μπαταρίας.

Το καθαρίσμα της λεπίδας δύο φορές κατά τη διάρκεια της εποχής κουρέματος του γκαζόν είναι συνήθως αρκετό υπό κανονικές συνθήκες. Το αμμώδες έδαφος κάνει τη λεπίδα να στομώνει γρήγορα. Αν το γκαζόν σας έχει αμμώδες έδαφος, απαιτείται συχνότερο ακόνισμα της λεπίδας.

Σημείωση: Αντικαταστήστε άμεσα τη λεπίδα αν έχει λυγίσει ή έχει υποστεί ζημιά.

Όταν ακονίζετε τη λεπίδα:

- ◆ Βεβαιωθείτε ότι η λεπίδα παραμένει ζυγοσταθμισμένη.
- ◆ Ακονίζετε τη λεπίδα στην αρχική της γωνία κοπής.
- ◆ Ακονίζετε τις άκρες κοπής και από τις δύο πλευρές της λεπίδας, αφαιρώντας ίσες ποσότητες υλικού και από τα δύο άκρα.

Για να ακονίσετε μια λεπίδα σε μέγγενη (εικ. Z)

- ◆ Βεβαιωθείτε ότι έχετε ελευθερώσει τη λαβή λειτουργίας, ότι η λεπίδα έχει σταματήσει και το κλειδί ασφαλείας και το πακέτο μπαταρίας έχει αφαιρεθεί, πριν αφαιρέσετε τη λεπίδα.
- ◆ Αφαιρέστε τη λεπίδα από τη χλοοκοπτική μηχανή. Δείτε τις οδηγίες για αφαίρεση και εγκατάσταση της λεπίδας.
- ◆ Στερεώστε τη λεπίδα (35) σε μια μέγγενη (38).
- ◆ Φοράτε κατάλληλη προστασία ματιών και γάντια και προσέχετε να μην κοπείτε. Λιμάρτε προσεκτικά τις άκρες κοπής της λεπίδας με μια λίμα με λεπτές οδοντώσεις δόντια (39) ή με μια πέτρα ακονίσματος, διατηρώντας τη γωνία της αρχικής άκρης κοπής. Ελέγξτε τη ζυγοστάθμιση της λεπίδας. Δείτε τις οδηγίες σχετικά με τη ζυγοστάθμιση της λεπίδας. Επανατοποθετήστε τη λεπίδα στη χλοοκοπτική μηχανή και σφίξτε καλά.

Ζυγοστάθμιση της λεπίδας (εικ. Z1)

Ελέγξτε τη ζυγοστάθμιση της λεπίδας (35) περνώντας την από την κεντρική οπή σε ένα καρφί ή σε ένα κατασαβίδι με στρογγυλό στέλεχος (40) που έχει συσφίχτει σε οριζόντια θέση σε μια μέγγενη (38). Αν κάποιο άκρο της λεπίδας περιστρέφεται προς τα κάτω, λιμάρτε κατά μήκος της αιχμηρής άκρης αυτού του άκρου που πέφτει. Η λεπίδα είναι σωστά ζυγοσταθμισμένη όταν δεν πέφτει κανένα από τα δύο άκρα.

Λίπανση

Δεν απαιτείται λίπανση. Μη λιπαίνετε τους τροχούς. Έχουν πλαστική επίστρωση η οποία δε χρειάζεται λίπανση.

Καθαρισμός

Ελευθερώστε τη λαβή λειτουργίας (2) για να απενεργοποιήσετε τη χλοοκοπτική μηχανή, αφήστε τη λεπίδα να σταματήσει και κατόπιν αφαιρέστε το κλειδί ασφαλείας. Για τον καθαρισμό της μηχανής, χρησιμοποιήστε αποκλειστικά ήπιο σαπούνι και υγρό πανί. Καθαρίστε τυχόν κομμάτια γρασιδιού που μπορεί να έχουν συσσωρευτεί από την κάτω πλευρά του δαπέδου της μηχανής. Αφού τη χρησιμοποιήσετε αρκετές φορές, ελέγξτε όλους τους εκτεθειμένους συνδέσμους εάν είναι σφιγμένοι καλά.

Προστασία από τη διάβρωση

Λιπάσματα και άλλα χημικά κήπου περιέχουν παράγοντες που επιταχύνουν σε μεγάλο βαθμό τη διάβρωση των μετάλλων. Εάν κουρεύετε γκαζόν σε περιοχές όπου έχουν χρησιμοποιηθεί λιπάσματα ή χημικά, πρέπει να καθαρίζετε τη χλοοκοπτική αμέσως μετά τη χρήση της ως εξής: Ελευθερώστε τη λαβή λειτουργίας (2) για να απενεργοποιήσετε τη χλοοκοπτική μηχανή και αφαιρέστε το κλειδί ασφαλείας και την μπαταρία. Σκουπίστε όλα τα εκτεθειμένα μέρη με ένα υγρό πανί.

Συντήρηση

Αυτό το εργαλείο με καλώδιο/χωρίς καλώδιο της BLACK+DECKER έχει σχεδιαστεί έτσι ώστε να λειτουργεί για μεγάλο χρονικό διάστημα με την ελάχιστη δυνατή συντήρηση. Η αδιάλειπτη και ικανοποιητική λειτουργία του εργαλείου/συσκευής εξαρτάται από τη φροντίδα και τον τακτικό καθαρισμό του.

Ο φορτιστής σας δεν χρειάζεται οποιαδήποτε συντήρηση πέραν του τακτικού καθαρισμού.

Προειδοποίηση! Πριν πραγματοποιήσετε οποιαδήποτε συντήρηση σε ηλεκτρικά εργαλεία με καλώδιο/χωρίς καλώδιο:

- ◆ Απενεργοποιήστε και αποσυνδέστε τη συσκευή/το εργαλείο από την πρίζα.
- ◆ Ή χρησιμοποιήστε τη συσκευή μέχρι να εξαντληθεί πλήρως η μπαταρία, αν είναι ενσωματωμένη, και στη συνέχεια απενεργοποιήστε τη συσκευή.
- ◆ Πριν τον καθαρισμό του φορτιστή αποσυνδέστε τον από την πρίζα. Ο φορτιστής σας δεν χρειάζεται οποιαδήποτε συντήρηση πέραν του τακτικού καθαρισμού.
- ◆ Να καθαρίζετε τακτικά τις εγκοπές εξερισμού του εργαλείου/της συσκευής και του φορτιστή με μια μαλακή βούρτσά ή ένα στεγνό πανί.
- ◆ Να καθαρίζετε τακτικά το περίβλημα του μοτέρ με ένα ελαφρά υγρό πανί. Μην χρησιμοποιείτε λειαντικά υγρά καθαρισμού ή καθαριστικά που περιέχουν διαλυτικά.
- ◆ Χρησιμοποιείτε τακτικά μια μη αιχμηρή ζύστρα για να αφαιρέσετε το γρασίδι και το χώμα από το κάτω μέρος του προστατευτικού.

ΑΝΤΙΜΕΤΩΠΙΣΗ ΠΡΟΒΛΗΜΑΤΩΝ

Σε περίπτωση που η συσκευή σας δε φαίνεται να λειτουργεί σωστά, ακολουθήστε τις παρακάτω οδηγίες. Αν αυτό δεν σας βοηθήσει να επιλύσετε το πρόβλημα, επικοινωνήστε με το πλησιέστερο κέντρο επισκευής της BLACK+DECKER.

Προειδοποίηση! Πριν συνεχίσετε, απελευθερώστε τη μπάρα λειτουργίας για να απενεργοποιήσετε τη χλοοκοπτική μηχανή, περιμένετε να σταματήσει η λεπίδα και αφαιρέστε το κλειδί ασφαλείας

ΠΡΟΒΛΗΜΑ	Πιθανή λύση
Η χλοοκοπτική μηχανή δεν λειτουργεί όταν ενεργοποιείται η λαβή λειτουργίας.	Ελέγξτε για να βεβαιωθείτε ότι το κλειδί ασφαλείας έχει τοποθετηθεί και έχει εισαχθεί πλήρως στη θέση του και ότι το κομμάτι στο περίβλημα διακόπτη έχει πατηθεί πλήρως, πριν τραβήξετε τη λαβή λειτουργίας. Ελευθερώστε τη λαβή λειτουργίας για να απενεργοποιήσετε τη χλοοκοπτική μηχανή. Αφαιρέστε το κλειδί ασφαλείας και το πακέτο μπαταρίας, γυρίστε τη χλοοκοπτική μηχανή ανάποδα και ελέγξτε ότι η λεπίδα μπορεί να περιστρέφεται ελεύθερα. Είναι η μπαταρία πλήρως φορτισμένη; Συνδέστε στο φορτιστή και περιμένετε μέχρι να ανάψει η πράσινη λυχνία

ΠΡΟΒΛΗΜΑ	Πιθανή λύση
Το μοτέρ σταματάει ενώ κουρεύετε το γκαζόν.	Ελευθερώστε τη λαβή λειτουργίας για να απενεργοποιήσετε τη χλοοκοπτική μηχανή. Αφαιρέστε το κλειδί ασφαλείας και το πακέτο μπαταρίας. Γυρίστε τη χλοοκοπτική μηχανή ανάποδα και ελέγξτε ότι η λεπίδα μπορεί να περιστρέφεται ελεύθερα. Αυξήστε το ύψος κοπής των τροχών στην πιο ψηλή θέση και θέστε σε λειτουργία τη χλοοκοπτική μηχανή. Ελέγξτε ότι ο χώρος της μπαταρίας δεν έχει υπολείμματα βρωμιάς και ότι η μπαταρία είναι συνδεδεμένη σωστά. Είναι η μπαταρία πλήρως φορτισμένη; Πιέστε το κομμάτι κατάστασης φόρτισης. Αποφύγετε την υπερφόρτωση της χλοοκοπτικής μηχανής. Χαμηλώστε το ρυθμό κοπής ή αυξήστε το ύψος της κοπής.
Η χλοοκοπτική μηχανή λειτουργεί αλλά η απόδοση κοπής δεν είναι ικανοποιητική ή δεν κόβει ολόκληρο το γκαζόν.	Είναι η μπαταρία πλήρως φορτισμένη; Πιέστε το κομμάτι κατάστασης φόρτισης. Ελευθερώστε τη λαβή λειτουργίας για να απενεργοποιήσετε τη χλοοκοπτική μηχανή. Αφαιρέστε το κλειδί ασφαλείας και το πακέτο μπαταρίας. Γυρίστε τη χλοοκοπτική μηχανή ανάποδα και ελέγξτε: ◆ Τη λεπίδα για αιχμηρότητα - Διατηρείτε τη λεπίδα αιχμηρή. ◆ Το κάλυμμα και τη χράνη εξαγωγής για απόφραξη. Μπορεί το ύψος των τροχών να έχει ρυθμιστεί πολύ χαμηλά για την κατάσταση του γκαζόν. Αυξήστε το ύψος κοπής.
Είναι πολύ δύσκολο να στρώσετε τη χλοοκοπτική μηχανή.	Ελευθερώστε τη λαβή λειτουργίας για να απενεργοποιήσετε τη χλοοκοπτική μηχανή. Αφαιρέστε το κλειδί ασφαλείας και το πακέτο μπαταρίας. Αυξήστε το ύψος κοπής για να μειώσετε την αντίσταση τριβής του δαπέδου της μηχανής πάνω στο γρασίδι. Ελέγξτε τον κάθε τροχό εάν περιστρέφεται ελεύθερα
Η χλοοκοπτική μηχανή παράγει ασυνήθιστο θόρυβο και δονείται.	Ελευθερώστε τη λαβή λειτουργίας για να απενεργοποιήσετε τη χλοοκοπτική μηχανή. Αφαιρέστε το κλειδί ασφαλείας και το πακέτο μπαταρίας. Γυρίστε τη χλοοκοπτική μηχανή στο πλάι και ελέγξτε τη λεπίδα για να διασφαλίσετε ότι δεν έχει λυγίσει ή υποστεί ζημιά. Αν η λεπίδα έχει υποστεί ζημιά, αντικαταστήστε την με ανταλλακτική λεπίδα BLACK+DECKER. Εάν το κάτω μέρος του δαπέδου της χλοοκοπτικής μηχανής έχει υποστεί ζημιά, παραδώστε τη μηχανή σε εξουσιοδοτημένο κέντρο σέρβις BLACK+DECKER.
Εάν δεν υπάρχει ορατή ζημιά στη λεπίδα και η μηχανή ακόμη δονείται:	◆ Ελευθερώστε τη λαβή λειτουργίας για να απενεργοποιήσετε τη χλοοκοπτική μηχανή. ◆ Αφαιρέστε το κλειδί ασφαλείας και το πακέτο μπαταρίας. ◆ Αποσυναρμολογήστε ολόκληρο το συγκρότημα λεπίδας όπως περιγράφεται στην ενότητα «Αφαίρεση και εγκατάσταση της λεπίδας». ◆ Αφαιρέστε τυχόν υπολείμματα και καθαρίστε κάθε εξάρτημα. ◆ Επανατοποθετήστε κάθε εξάρτημα όπως περιγράφεται στην ενότητα «Αφαίρεση και εγκατάσταση της λεπίδας».
Δεν ανάβουν οι λυχνίες του φορτιστή μπαταρίας.	Αν η χλοοκοπτική μηχανή και πάλι δονείται, παραδώστε την σε εξουσιοδοτημένο κέντρο σέρβις BLACK+DECKER. Ελέγξτε την σύνδεση του φις. Αντικαταστήστε το φορτιστή.

ΠΡΟΒΛΗΜΑ	Πιθανή λύση
Η χλοοκοπτική μηχανή δεν συλλέγει το κομμένο γρασίδι με σάκο.	Φραγμένη χοάνη. Ελευθερώστε τη λαβή λειτουργίας για να απενεργοποιήσετε τη χλοοκοπτική μηχανή. Αφαιρέστε το κλειδί ασφαλείας και το πακέτο μπαταρίας. Καθαρίστε τη χοάνη από τα κομμάτια γρασιδιού.
	Αυξήστε το ύψος κοπής των τροχών για να μειώσετε το μήκος κοπής.
	Σακούλα πλήρης. Αδειάζετε τη σακούλα πιο συχνά.

Προστασία του περιβάλλοντος



Χωριστή συλλογή. Τα προϊόντα και οι μπαταρίες που επισημειώνονται με αυτό το σύμβολο δεν πρέπει να απορριπτούν μαζί με τα κανονικά οικιακά απορρίμματα.

Τα προϊόντα και οι μπαταρίες περιέχουν υλικά που μπορούν να ανακτηθούν ή να ανακυκλωθούν ώστε να μειωθούν οι ανάγκες για πρώτες ύλες. Παρακαλούμε να ανακυκλώνετε τα ηλεκτρικά προϊόντα και τις μπαταρίες σύμφωνα με τους τοπικούς κανονισμούς. Περισσότερες πληροφορίες διατίθενται στον ιστότοπο www.2helpU.com

Τεχνικά χαρακτηριστικά

CLMA4825L2 H1		
Τάση εισόδου	V _{DC}	36 V
Ταχύτητα χωρίς φορτίο	min ⁻¹	2900
Βάρος	kg	καθαρό βάρος 21,24 kg, μικτό 25,95 kg
Μπαταρία		BL2536
Τάση	V _{DC}	36
Χωρητικότητα	Ah	2.5
Τύπος		Li-Ion
Φορτιστής		90616337-xx
Τάση εισόδου	V _{AC}	230
Τάση εξόδου	V _{DC}	36
Ρεύμα	mA	1300
Χρόνος φόρτισης κατά προσέγγιση	λεπτά	110

Σταθμισμένη τιμή κραδασμών συστήματος χεριού/βραχίονα:
= < 0,5 m/s², αβεβαιότητα(K) = 1,5 m/s².

L_{PA} (ηχητική πίεση) 75 dB(A)
αβεβαιότητα (K) = 3 dB(A)

Δήλωση συμμόρφωσης ΕΚ ΟΔΗΓΙΑ ΠΕΡΙ ΜΗΧΑΝΗΜΑΤΩΝ ΟΔΗΓΙΑ ΓΙΑ ΘΥΡΟΥΒΟΥΣ ΣΕ ΕΞΩΤΕΡΙΚΟΥΣ ΧΩΡΟΥΣ



Χλοοκοπτική μηχανή CLMA4825L2 Autosense

Η Black & Decker δηλώνει ότι τα προϊόντα αυτά που περιγράφονται στα «τεχνικά χαρακτηριστικά» συμμορφώνονται με τα ακόλουθα:

EN60335-1:2012+A11:2014+A13:2017, EN60335-2-77:2010

2000/14/ΕΚ, Χλοοκοπτική μηχανή, L < 50cm, Παράρτημα VI,

DEKRA Certification B.V. Meander 1051 / P.O. Box 5185
6825 MJ ARNHEM / 6802 ED ARNHEM, Ολλανδία Αρ.
αναγνωριστικού κοινοποιημένου φορέα: 0344

Στάθμη ηχητικής ισχύος σύμφωνα με 2000/14/ΕΚ (Άρθρο 12,
Παράρτημα III, L ≤ 50 cm):

L_m (μετρημένη ηχητική ισχύς) 89 dB(A)

αβεβαιότητα (K) = 3 dB(A)

L_w (εγγυημένη ηχητική ισχύς) 96 dB(A)

Αυτά τα προϊόντα συμμορφώνονται επίσης με την Οδηγία
2006/42/ΕΚ, 2014/30/ΕΕ και 2011/65/ΕΕ.

Για περισσότερες πληροφορίες, παρακαλείσθε να επικοινωνήσετε με την Black & Decker στην παρακάτω διεύθυνση ή να ανατρέξετε στο πίσω μέρος του εγχειριδίου.

Ο κάτωθι υπογεγραμμένος είναι υπεύθυνος για την κατάρτιση του τεχνικού φακέλου και δηλώνει τα παρόντα εκ μέρους της Black & Decker.

R. Laverick

Διευθυντής σχεδιασμού

Black & Decker Europe, 210 Bath Road, Slough,

Berkshire, SL1 3YD

United Kingdom

18/12/2018

Εγγύηση

Η Black & Decker είναι σίγουρη για την ποιότητα των προϊόντων της και προσφέρει στους καταναλωτές εγγύηση 24 μηνών από την ημερομηνία αγοράς. Αυτή η εγγύηση είναι πρόσθετο δικαίωμά σας και δεν ζημιώνει τα νόμιμα δικαιώματά σας. Η εγγύηση ισχύει εντός της επικράτειας των χωρών μελών της Ευρωπαϊκής Ένωσης και της Ευρωπαϊκής Ζώνης Ελεύθερων Συναλλαγών.

Για να υποβάλετε αξίωση βάσει της εγγύησης, η αξίωση θα πρέπει να είναι σύμφωνη με τους Όρους και προϋποθέσεις της Black&Decker και θα χρειαστεί να υποβάλετε απόδειξη αγοράς στον πωλητή ή σε εξουσιοδοτημένο αντιπρόσωπο επισκευών. Μπορείτε να αποκτήσετε τους Όρους και προϋποθέσεις της εγγύησης 2 ετών της Black&Decker και να μάθετε την τοποθεσία του πλησιέστερου εξουσιοδοτημένου αντιπροσώπου επισκευών στο Internet στο www.2helpU.com, ή επικοινωνώντας με το τοπικό σας γραφείο Black & Decker στη διεύθυνση που υποδεικνύεται στο παρόν εγχειρίδιο.

Παρακαλούμε επισκεφθείτε την ιστοσελίδα μας www.blackanddecker.gr για να καταχωρίσετε το νέο σας προϊόν Black & Decker και για να ενημερώνεστε για τα νέα προϊόντα και τις ειδικές προσφορές.

België/Belgique/Luxembourg www.blackanddecker.be enduser.be@sbdinc.com	Stanley Black & Decker Belgium BVBA Egide Walschaertsstraat 16 2800 Mechelen	Tel. NL +32 15 47 37 65 Tel. FR +32 15 47 37 66 Fax. +32 15 47 37 99
Danmark	Black & Decker Roskildevej 22 2620 Albertslund	kundeservice.dk@sbdinc.com www.blackanddecker.dk
Deutschland www.blackanddecker.de infobdgc@sbdinc.com	Stanley Black & Decker Deutschland GmbH Black & Decker Str. 40, D - 65510 Idstein	Tel. 06126 21-0 Fax 06126 21-2980
Ελλάδα www.blackanddecker.gr greece.service@sbdinc.com	Stanley Black & Decker (ΕΛΛΑΣ) Ε.Π.Ε ΓΡΑΦΕΙΑ: Σπύριδωνος 7 & Βουλιαγμένης 166 74 Γλυφάδα - Αθήνα	Τηλ. 210-8981616 Φαξ 210-8983570
SERVICE:	Ημερος Τόπος 2 -Χάνι Αδάμ 193 00 Ασπρόπυργος - Αθήνα	Τηλ. Service 210-8985208 Φαξ 210-5597598
España www.blackanddecker.es respuesta.posventa@sbdinc.com	Stanley Black & Decker Ibérica, S.C.A. Parc de Negocis "Mas Blau" Edificio Muntadas, c/Bergadá, 1, Of. A6 08820 El Prat de Llobregat (Barcelona)	Tel. 934 797 400 Fax 934 797 419
France www.blackanddecker.fr	Black & Decker (France) S.A.S. 5 allée des Hêtres B.P. 30084 69579 Limonest Cédex	Tel. 04 72 20 39 20 Fax 04 72 20 39 00
Helvetia www.blackanddecker.ch service@rofoag.ch	ROFO AG Gewerbezone Seeblick 3213 Kleinbödingen	Tel. 026-6749393 Fax 026-6749394
Italia www.blackanddecker.it service.italia@sbdinc.com	Stanley Black & Decker Italia Via Energypark 6 20871 Vimercate (MB)	Tel. 039-9590200 Fax 039-9590313 Numero verde 800-213935
Nederland www.blackanddecker.nl enduser.nl@sbdinc.com	Stanley Black & Decker Netherlands BV Holtum Noordweg 35, 6121 RE BORN Postbus 83, 6120 AB BORN	Tel. +31 164 283 065 Fax +31 164 283 200
Norge	Black & Decker Postboks 4613, Nydalen 0405 Oslo	kundeservice.no@sbdinc.com www.blackanddecker.no
Österreich www.blackanddecker.at service.austria@sbdinc.com	Stanley Black & Decker Austria GmbH Oberlaaerstraße 248, A-1230 Wien	Tel. 01 66116-0 Fax 01 66116-614
Portugal www.blackanddecker.pt resposta.posvenda@sbdinc.com	Black & Decker Limited SARL Quinta da Fonte - Edifício Q55 D, Diniz Rua dos Malhões, 2 e 2A - Piso 2 Esquerdo 2770 - 071 Paço de Arcos	Tel. 214667500 Fax 214667580
Suomi	Black & Decker PL47 00521, Helsinki	asiakaspalvelu.fi@sbdinc.com www.blackanddecker.fi
Sverige	Black & Decker AB Box 94, 431 22 Mölndal	kundservice.se@sbdinc.com www.blackanddecker.se
Türkiye www.blackanddecker.com.tr	KALE Hırdavat ve Makina A.Ş. Defferdar Mah. Savaklar Cad. No:15 Edimekapı / Eyüp / İstanbul 34050	Tel. 0212 533 52 55 Fax. 0212 533 10 05
United Kingdom & Republic Of Ireland www.blackanddecker.co.uk emeaservice@sbdinc.com	Black & Decker 210 Bath Road Slough, Berkshire SL1 3YD	Tel. 01753 511234 Fax 01753 512365
Middle East & Africa www.blackanddecker.ae service.mea@sbdinc.com	Black & Decker P.O.Box - 17164 Jebel Ali Free Zone (South), Dubai, UAE	Tel. +971 4 8863030 Fax +971 4 8863333