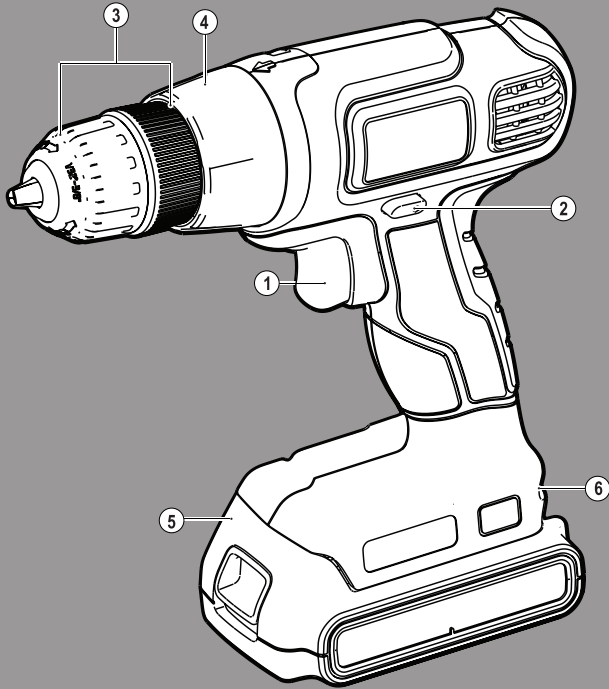




BLACK & DECKER®



www.blackanddecker.eu

EPL14
EPL18

EN

DE

FR

IT

NL

ES

PT

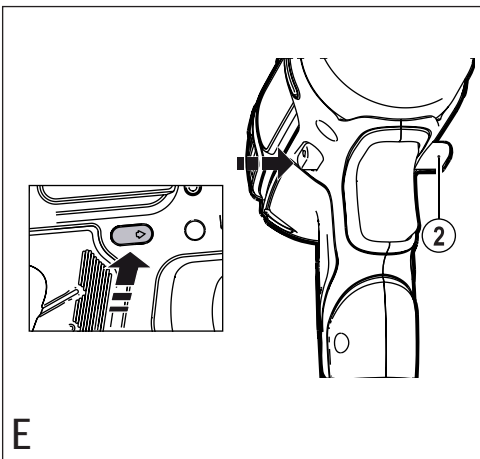
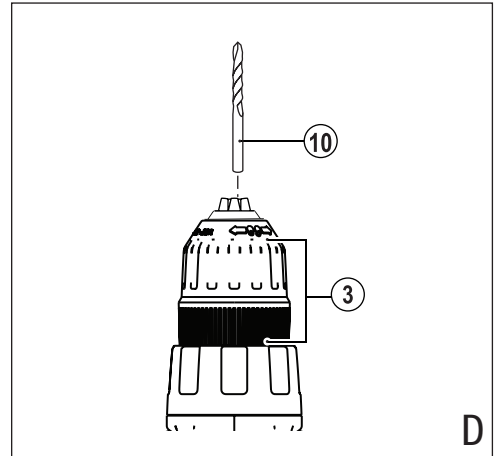
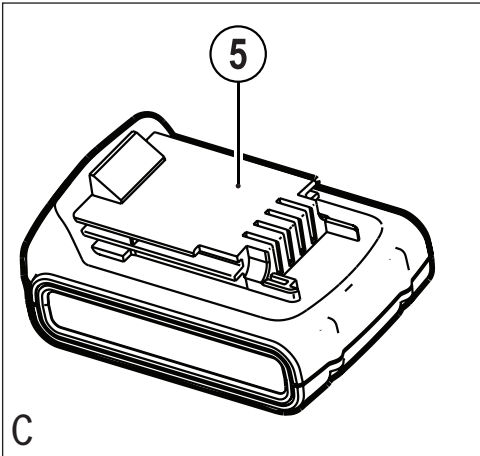
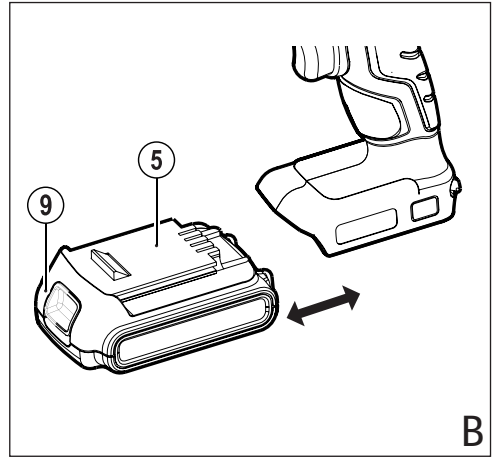
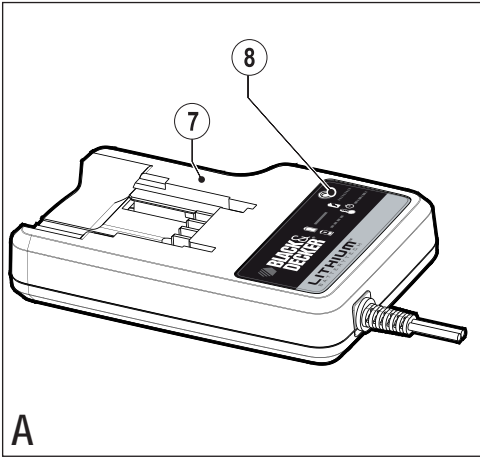
SV

NO

DK

FI

EL



Intended use

Your Black & Decker drill/screwdriver has been designed for screwdriving applications and for drilling in wood, metal and plastics. This tool is intended for consumer use only.

Safety instructions

General power tool safety warnings



Warning! Read all safety warnings and all instructions. Failure to follow the warnings and instructions listed below may result in electric shock, fire and/or serious injury.

Save all warnings and instructions for future reference.

The term "power tool" in all of the warnings listed below refers to your mains operated (corded) power tool or battery operated (cordless) power tool.

1. Work area safety

- a. **Keep work area clean and well lit.** Cluttered or dark areas invite accidents.
- b. **Do not operate power tools in explosive atmospheres, such as in the presence of flammable liquids, gases or dust.** Power tools create sparks which may ignite the dust or fumes.
- c. **Keep children and bystanders away while operating a power tool.** Distractions can cause you to lose control.

2. Electrical safety

- a. **Power tool plugs must match the outlet. Never modify the plug in any way.** Do not use any adapter plugs with earthed (grounded) power tools. Unmodified plugs and matching outlets will reduce risk of electric shock.
- b. **Avoid body contact with earthed or grounded surfaces such as pipes, radiators, ranges and refrigerators.** There is an increased risk of electric shock if your body is earthed or grounded.
- c. **Do not expose power tools to rain or wet conditions.** Water entering a power tool will increase the risk of electric shock.
- d. **Do not abuse the cord. Never use the cord for carrying, pulling or unplugging the power tool. Keep cord away from heat, oil, sharp edges or moving parts.** Damaged or entangled cords increase the risk of electric shock.
- e. **When operating a power tool outdoors, use an extension cord suitable for outdoor use.** Use of a cord suitable for outdoor use reduces the risk of electric shock.
- f. **If operating a power tool in a damp location is unavoidable, use a residual current device (RCD) protected supply.** Use of an RCD reduces the risk of electric shock.

3. Personal safety

- a. **Stay alert, watch what you are doing and use common sense when operating a power tool. Do not use a power tool while you are tired or under the influence of drugs, alcohol or medication.** A moment of inattention while operating power tools may result in serious personal injury.
 - b. **Use personal protective equipment. Always wear eye protection.** Protective equipment such as dust mask, non-skid safety shoes, hard hat, or hearing protection used for appropriate conditions will reduce personal injuries.
 - c. **Prevent unintentional starting. Ensure the switch is in the off-position before connecting to power source and/or battery pack, picking up or carrying the tool.** Carrying power tools with your finger on the switch or energising power tools that have the switch on invites accidents.
 - d. **Remove any adjusting key or wrench before turning the power tool on.** A wrench or a key left attached to a rotating part of the power tool may result in personal injury.
 - e. **Do not overreach. Keep proper footing and balance at all times.** This enables better control of the power tool in unexpected situations.
 - f. **Dress properly. Do not wear loose clothing or jewellery. Keep your hair, clothing and gloves away from moving parts.** Loose clothes, jewellery or long hair can be caught in moving parts.
 - g. **If devices are provided for the connection of dust extraction and collection facilities, ensure these are connected and properly used.** Use of dust collection can reduce dust-related hazards.
- #### 4. Power tool use and care
- a. **Do not force the power tool. Use the correct power tool for your application.** The correct power tool will do the job better and safer at the rate for which it was designed.
 - b. **Do not use the power tool if the switch does not turn it on and off.** Any power tool that cannot be controlled with the switch is dangerous and must be repaired.
 - c. **Disconnect the plug from the power source and/or the battery pack from the power tool before making any adjustments, changing accessories, or storing power tools.** Such preventive safety measures reduce the risk of starting the power tool accidentally.
 - d. **Store idle power tools out of the reach of children and do not allow persons unfamiliar with the power tool or these instructions to operate the power tool.** Power tools are dangerous in the hands of untrained users.

- e. **Maintain power tools.** Check for misalignment or binding of moving parts, breakage of parts and any other condition that may affect the power tools operation. If damaged, have the power tool repaired before use. Many accidents are caused by poorly maintained power tools.
- f. **Keep cutting tools sharp and clean.** Properly maintained cutting tools with sharp cutting edges are less likely to bind and are easier to control.
- g. **Use the power tool, accessories and tool bits etc. in accordance with these instructions, taking into account the working conditions and the work to be performed.** Use of the power tool for operations different from those intended could result in a hazardous situation.
5. **Battery tool use and care**
- a. **Recharge only with the charger specified by the manufacturer.** A charger that is suitable for one type of battery pack may create a risk of fire when used with another battery pack.
- b. **Use power tools only with specifically designated battery packs.** Use of any other battery packs may create a risk of injury and fire.
- c. **When battery pack is not in use, keep it away from other metal objects, like paper clips, coins, keys, nails, screws, or other small metal objects, that can make a connection from one terminal to another.** Shorting the battery terminals together may cause burns or a fire.
- d. **Under abusive conditions, liquid may be ejected from the battery; avoid contact. If contact accidentally occurs, flush with water. If liquid contacts eyes, additionally seek medical help.** Liquid ejected from the battery may cause irritation or burns.
6. **Service**
- a. **Have your power tool serviced by a qualified repair person using only identical replacement parts.** This will ensure that the safety of the power tool is maintained.

Additional power tool safety warnings



Warning! Additional safety warnings for drills and impact drills

- ◆ **Wear ear protectors with impact drills.** Exposure to noise can cause hearing loss.
- ◆ **Use auxiliary handles supplied with the tool.** Loss of control can cause personal injury.

- ◆ **Hold power tool by insulated gripping surfaces when performing an operation where the cutting accessory may contact hidden wiring.** Cutting accessory contacting a "live" wire may make exposed metal parts of the power tool "live" and could give the operator an electric shock.
- ◆ **Hold power tool by insulated gripping surfaces when performing an operation where the fastener may contact hidden wiring.** Fasteners contacting a "live" wire may make exposed metal parts of the power tool "live" and could give the operator an electric shock
- ◆ **Use clamps or another practical way to secure and support the workpiece to a stable platform.** Holding the work by hand or against your body leaves it unstable and may lead to loss of control.
- ◆ **Before drilling into walls, floors or ceilings, check for the location of wiring and pipes.**
- ◆ **Avoid touching the tip of a drill bit just after drilling, as it may be hot.**
- ◆ **This tool is not intended for use by persons (including children) with reduced physical, sensory or mental capabilities, or lack of experience and knowledge, unless they have been given supervision or instruction concerning use of the appliance by a person responsible for their safety.** Children should be supervised to ensure that they do not play with the appliance.
- ◆ **The intended use is described in this instruction manual.** The use of any accessory or attachment or performance of any operation with this tool other than those recommended in this instruction manual may present a risk of personal injury and/or damage to property.

Safety of others

- ◆ **This appliance is not intended for use by persons (including children) with reduced physical, sensory or mental capabilities, or lack of experience and knowledge, unless they have been given supervision or instruction concerning use of the appliance by a person responsible for their safety.**
- ◆ **Children should be supervised to ensure that they do not play with the appliance.**

Residual risks.

Additional residual risks may arise when using the tool which may not be included in the enclosed safety warnings. These risks can arise from misuse, prolonged use etc.

Even with the application of the relevant safety regulations and the implementation of safety devices, certain residual risks can not be avoided. These include:

- ◆ **Injuries caused by touching any rotating/moving parts.**
- ◆ **Injuries caused when changing any parts, blades or**

accessories.

- ◆ Injuries caused by prolonged use of a tool. When using any tool for prolonged periods ensure you take regular breaks.
- ◆ Impairment of hearing.
- ◆ Health hazards caused by breathing dust developed when using your tool (example:- working with wood, especially oak, beech and MDF.)

Vibration

The declared vibration emission values stated in the technical data and the declaration of conformity have been measured in accordance with a standard test method provided by EN 60745 and may be used for comparing one tool with another. The declared vibration emission value may also be used in a preliminary assessment of exposure.

Warning! The vibration emission value during actual use of the power tool can differ from the declared value depending on the ways in which the tool is used. The vibration level may increase above the level stated.

When assessing vibration exposure to determine safety measures required by 2002/44/EC to protect persons regularly using power tools in employment, an estimation of vibration exposure should consider, the actual conditions of use and the way the tool is used, including taking account of all parts of the operating cycle such as the times when the tool is switched off and when it is running idle in addition to the trigger time.

Labels on tool

The following symbols are shown on the tool:



Warning! To reduce the risk of injury, the user must read the instruction manual.

Additional safety instructions for batteries and chargers

Batteries

- ◆ Never attempt to open for any reason.
- ◆ Do not expose the battery to water.
- ◆ Do not store in locations where the temperature may exceed 30 °C.
- ◆ Charge only at ambient temperatures between 4 °C and 40 °C.
- ◆ Charge only using the charger provided with the tool.
- ◆ When disposing of batteries, follow the instructions given in the section "Protecting the environment".



Do not attempt to charge damaged batteries.

Chargers

- ◆ Use your Black & Decker charger only to charge the battery in the tool with which it was supplied. Other batteries could burst, causing personal injury and damage.
- ◆ Never attempt to charge non-rechargeable batteries.
- ◆ Have defective cords replaced immediately.
- ◆ Do not expose the charger to water.
- ◆ Do not open the charger.
- ◆ Do not probe the charger.



The charger is intended for indoor use only.



Read the instruction manual before use.

Electrical safety



Your charger is double insulated; therefore no earth wire is required. Always check that the mains voltage corresponds to the voltage on the rating plate. Never attempt to replace the charger unit with a regular mains plug.

- ◆ If the supply cord is damaged, it must be replaced by the manufacturer or an authorised Black & Decker Service Centre in order to avoid a hazard.

Features

This tool includes some or all of the following features.

1. Variable speed switch
2. Forward/reverse slider
3. Chuck
4. Torque adjustment collar
5. Battery
6. Bit holder

Fig. A

7. Charger
8. Charging indicator

Assembly

Warning! Before assembly, remove the battery from the tool.

Fitting and removing the battery (fig. B)

- ◆ To fit the battery (5), line it up with the receptacle on the

tool. Slide the battery into the receptacle and push until the battery snaps into place.

- ◆ To remove the battery, push the release button (9) while at the same time pulling the battery out of the receptacle.

Fitting and removing a drill bit or screwdriver bit (fig. D)

This tool is fitted with a keyless chuck to allow for an easy exchange of bits.

- ◆ Grasp the rear half of the chuck (3) with one hand and use your other hand to rotate the front half in the counterclockwise direction, as viewed from the chuck end.
- ◆ Insert the bit shaft (10) into the chuck.
- ◆ Firmly tighten the chuck by holding the rear half of the chuck and rotating the front portion in the clockwise direction as viewed from the chuck end.

Use

Warning! Let the tool work at its own pace. Do not overload.

Charging the battery (fig. A)

The battery needs to be charged before first use and whenever it fails to produce sufficient power on jobs that were easily done before. The battery may become warm while charging; this is normal and does not indicate a problem.

Warning! Do not charge the battery at ambient temperatures below 4 °C or above 40 °C. Recommended charging temperature: approx. 24 °C.

Note: The charger will not charge a battery if the cell temperature is below approximately 0 °C or above 40 °C. The battery should be left in the charger and the charger will begin to charge automatically when the cell temperature warms up or cools down.

- ◆ To charge the battery (5), insert it into the charger (7). The battery will only fit into the charger in one way. Do not force. Be sure that the battery is fully seated in the charger.
- ◆ Plug in the charger and switch on at the mains.

The charging indicator (8) will flash green continuously (slowly).

The charge is complete when the charging indicator (8) lights green continuously. The charger and the battery can be left connected indefinitely with the LED illuminated. The LED will change to flashing green (charging) state as the charger occasionally tops up the battery charge. The charging indicator (8) will be lit as long as the battery is connected to the plugged-in charger.

- ◆ Charge discharged batteries within 1 week. Battery life will be greatly diminished if stored in a discharged state.

Leaving the battery in the charger

The charger and battery pack can be left connected with the LED glowing indefinitely. The charger will keep the battery pack fresh and fully charged.

Charger diagnostics

If the charger detects a weak or damaged battery, the charging indicator (8) will flash red at a fast rate. Proceed as follows:

- ◆ Re-insert the battery (5).
- ◆ If the charging indicators continues flashing red at a fast rate, use a different battery to determine if the charging process works properly.
- ◆ If the replaced battery charges correctly, the original battery is defective and should be returned to a service centre for recycling.
- ◆ If the new battery gives the same indication as the original battery, take the charger to be tested at an authorised services centre.

Note: It may take as long as 60 minutes to determine that the battery is defective. If the battery is too hot or too cold, the LED will alternately blink red, fast and slow, one flash at each speed and repeat.


Selecting the direction of rotation (fig. E)

For drilling and for tightening screws, use forward (clockwise) rotation. For loosening screws or removing a jammed drill bit, use reverse (counterclockwise) rotation.

- ◆ To select forward rotation, push the forward/reverse slider (2) to the left.
- ◆ To select reverse rotation, push the forward/reverse slider to the right.
- ◆ To lock the tool, set the forward/reverse slider into the centre position.

Selecting the torque

This tool is fitted with a collar to set the torque for various screwdriving and drilling applications. Large screws and hard workpiece materials require a higher torque setting than small screws and soft workpiece materials. For the definition of the symbol refer to the listing below.

- ◆ For drilling in wood, metal and plastics, set the torque adjustment collar (4) to the  symbol.
- ◆ For screwdriving, set the collar to the desired setting. If you do not yet know the appropriate setting, proceed as follows:
 - Set the torque adjustment collar (4) to the lowest torque setting.
 - Tighten the first screw.

- If the clutch ratchets before the desired result is achieved, increase the collar setting and continue tightening the screw. Repeat until you reach the correct setting. Use this setting for the remaining screws.

Drilling/screwdriving

- ◆ Select forward or reverse rotation using the forward/reverse slider (2).
- ◆ To switch the tool on, press the switch (1). The tool speed depends on how far you press the switch.
- ◆ To switch the tool off, release the switch.

Hints for optimum use

Drilling

- ◆ Always apply a light pressure in a straight line with the drill bit.
- ◆ Just before the drill tip breaks through the other side of the workpiece, decrease pressure on the tool.
- ◆ Use a block of wood to back up workpieces that may splinter.
- ◆ Use spade bits when drilling large diameter holes in wood.
- ◆ Use HSS drill bits when drilling in metal.
- ◆ Use masonry bits when drilling in soft masonry.
- ◆ Use a lubricant when drilling metals other than cast iron and brass.
- ◆ Make an indentation using a centre punch at the centre of the hole to be drilled in order to improve accuracy.

Screwdriving

- ◆ Always use the correct type and size of screwdriver bit.
- ◆ If screws are difficult to tighten, try applying a small amount of washing liquid or soap as a lubricant.
- ◆ Always hold the tool and screwdriver bit in a straight line with the screw.

Maintenance

Your Black & Decker tool has been designed to operate over a long period of time with a minimum of maintenance. Continuous satisfactory operation depends upon proper tool care and regular cleaning.

Your charger does not require any maintenance apart from regular cleaning.

Warning! Before performing any maintenance on the tool, remove the battery from the tool. Unplug the charger before cleaning it.

- ◆ Regularly clean the ventilation slots in your tool and charger using a soft brush or dry cloth.

- ◆ Regularly clean the motor housing using a damp cloth. Do not use any abrasive or solvent-based cleaner.
- ◆ Regularly open the chuck and tap it to remove any dust from the interior.

Protecting the environment



Separate collection. This product must not be disposed of with normal household waste.

Should you find one day that your Black & Decker product needs replacement, or if it is of no further use to you, do not dispose of it with household waste. Make this product available for separate collection.



Separate collection of used products and packaging allows materials to be recycled and used again.

Re-use of recycled materials helps prevent environmental pollution and reduces the demand for raw materials.

Local regulations may provide for separate collection of electrical products from the household, at municipal waste sites or by the retailer when you purchase a new product.

Black & Decker provides a facility for the collection and recycling of Black & Decker products once they have reached the end of their working life. To take advantage of this service please return your product to any authorised repair agent who will collect them on our behalf.

You can check the location of your nearest authorised repair agent by contacting your local Black & Decker office at the address indicated in this manual. Alternatively, a list of authorised Black & Decker repair agents and full details of our after-sales service and contacts are available on the Internet at: www.2helpU.com

Batteries



Run the battery down completely, then remove it from the tool.

- ◆ NiCd, NiMH and Li-Ion batteries are recyclable. Take them to any authorised repair agent or a local recycling station.

Technical data

		EPL14 (H1)	EPL18 (H1)
Voltage	V _{dc}	14.4	18
No-load speed	Min ²	0-750	0-750
Max. torque	Nm	10/21	11/21
Chuck capacity	mm	10	10
Max Drilling capacity			
Steel/wood	mm	10/25	10/25

Charger		905531** typ. 1	
Input Voltage	V _{ac}	230	
Output Voltage	V _{dc}	16.4 / 20.5	
Current	mA	200	
Approx. charge time	h	5 - 7	

Battery		BL1114	BL1314	BL1514
Voltage	V _{dc}	14.4	14.4	14.4
Capacity	Ah	1.1	1.3	1.5
Type		Li-Ion	Li-Ion	Li-Ion

Battery		BL1118	BL1318	BL1518
Voltage	V _{dc}	18	18	18
Capacity	Ah	1.1	1.3	1.5
Type		Li-Ion	Li-Ion	Li-Ion

Level of sound pressure according to EN 60745:	
Sound pressure (L _{wa})	87.5 dB(A), uncertainty (K) 3 dB(A)
Sound power (L _{wa})	98.5 dB(A), uncertainty (K) 3 dB(A)

Vibration total values (triax vector sum) according to EN 60745:	
Drilling into metal (a _{h,v})	< 2.5 m/s ² , uncertainty (K) 1.5 m/s ²
Screwdriving without impact (a _{h,v})	< 2.5 m/s ² , uncertainty (K) 1.5 m/s ²

EC declaration of conformity
MACHINERY DIRECTIVE

EPL14, EPL18

Black & Decker declares that these products described under "technical data" are in compliance with:
2006/42/EC, EN 60745-1, EN 60745-2-1

For more information, please contact Black & Decker at the following address or refer to the back of the manual.

The undersigned is responsible for compilation of the technical file and makes this declaration on behalf of Black & Decker.

Kevin Hewitt
Vice-President Global Engineering
Black & Decker Europe, 210 Bath Road, Slough,
Berkshire, SL1 3YD
United Kingdom
18/05/2010

Guarantee

Black & Decker is confident of the quality of its products and offers an outstanding guarantee. This guarantee statement is in addition to and in no way prejudices your statutory rights. The guarantee is valid within the territories of the Member States of the European Union and the European Free Trade Area.

If a Black & Decker product becomes defective due to faulty materials, workmanship or lack of conformity, within 24 months from the date of purchase, Black & Decker guarantees to replace defective parts, repair products subjected to fair wear and tear or replace such products to ensure minimum inconvenience to the customer unless:

- ◆ The product has been used for trade, professional or hire purposes;
- ◆ The product has been subjected to misuse or neglect;
- ◆ The product has sustained damage through foreign objects, substances or accidents;
- ◆ Repairs have been attempted by persons other than authorised repair agents or Black & Decker service staff.

To claim on the guarantee, you will need to submit proof of purchase to the seller or an authorised repair agent. You can check the location of your nearest authorised repair agent by contacting your local Black & Decker office at the address indicated in this manual. Alternatively, a list of authorised Black & Decker repair agents and full details of our after-sales service and contacts are available on the Internet at: www.2helpU.com

Please visit our website www.blackanddecker.co.uk to register your new Black & Decker product and to be kept up to date on new products and special offers. Further information on the Black & Decker brand and our range of products is available at www.blackanddecker.co.uk

Bestimmungsgemäße Verwendung

Ihr Black & Decker Akku-Bohrschrauber ist für Schraub- und Bohrarbeiten in Holz, Metall und Kunststoff ausgelegt. Dieses Gerät ist nicht für den gewerblichen Einsatz bestimmt.

Sicherheitshinweise

Allgemeine Sicherheitswarnungen für das Gerät



Achtung! Lesen Sie sämtliche Sicherheitswarnungen und Anweisungen. Die Nichteinhaltung der nachstehend aufgeführten Warnungen und Anweisungen kann einen elektrischen Schlag, Brand und/oder schwere Verletzungen verursachen.

Bewahren Sie alle Sicherheitswarnungen und Anweisungen gut auf. Der nachfolgend verwendete Begriff „Gerät“ bezieht sich auf netzbetriebene Geräte (mit Netzkabel) und auf akkubetriebene Geräte (ohne Netzkabel).

1. **Sicherheit im Arbeitsbereich**
 - a. Halten Sie Ihren Arbeitsbereich sauber, und sorgen Sie für ausreichende Beleuchtung. Unordnung oder dunkle Arbeitsbereiche können zu Unfällen führen.
 - b. Verwenden Sie die Geräte nicht in Umgebungen, in denen Explosionsgefahr z. B. aufgrund von brennbaren Flüssigkeiten, Gasen oder Staub besteht. Geräte erzeugen Funken, die den Staub oder die Dämpfe entzünden können.
 - c. Halten Sie Kinder und andere Personen während der Benutzung eines Geräts fern. Bei Ablenkung können Sie die Kontrolle verlieren.
2. **Elektrische Sicherheit**
 - a. Der Netzstecker des Geräts muss in die Steckdose passen. Der Stecker darf in keiner Weise verändert werden. Verwenden Sie für geschützte Geräte keine Adapterstecker. Unveränderte Stecker und passende Steckdosen verringern das Risiko eines elektrischen Schlags.
 - b. Vermeiden Sie Körperkontakt mit geerdeten **Oberflächen von Rohren, Heizungen, Herden und Kühlschränken**. Es besteht ein erhöhtes Risiko eines elektrischen Schlags, wenn Ihr Körper geerdet ist.
 - c. Halten Sie Geräte von Regen und Feuchtigkeit fern. Das Eindringen von Wasser in ein Gerät erhöht das Risiko eines elektrischen Schlags.
 - d. Verwenden Sie das Kabel ordnungsgemäß. Verwenden Sie es niemals zum Tragen. Trennen Sie das Gerät nicht durch Ziehen am Kabel vom Netz. Halten Sie das Kabel fern von Hitze, Öl, scharfen Kanten oder sich bewegenden Teilen. Beschädigte oder
- verwickelte Kabel erhöhen das Risiko eines elektrischen Schlags.
- e. **Verwenden Sie nur für den Außenbereich zugelassene Verlängerungskabel, wenn Sie mit dem Gerät im Freien arbeiten.** Die Verwendung eines für den Außenbereich geeigneten Verlängerungskabels verringert das Risiko eines elektrischen Schlags.
- f. **Wenn das Gerät in einer feuchten Umgebung verwendet werden muss, schließen Sie es unbedingt an eine Steckdose mit Fehlerstromschutzschalter (RCD).** Die Verwendung eines Fehlerstromschutzschalters verringert das Risiko eines elektrischen Schlags.
3. **Sicherheit von Personen**
 - a. **Verwenden Sie das Gerät aufmerksam und vernünftig. Benutzen Sie das Gerät nicht, wenn Sie müde sind oder unter dem Einfluss von Drogen, Alkohol oder Medikamenten stehen.** Ein Moment der Unachtsamkeit beim Gebrauch von Geräten kann zu ernsthaften Verletzungen führen.
 - b. **Verwenden Sie eine geeignete Schutzausrüstung. Tragen Sie stets eine Schutzbrille.** Schutzausrüstung wie Staubmaske, rutschfeste Sicherheitsschuhe, Schutzhelm oder Gehörschutz, je nach Art und Einsatz des Geräts, verringert das Risiko von Verletzungen.
 - c. **Vermeiden Sie eine unbeabsichtigte Inbetriebnahme. Vergewissern Sie sich, dass das Gerät ausgeschaltet ist, bevor Sie es an eine Steckdose oder einen Akku anschließen, es hochheben oder tragen.** Durch das Tragen des Geräts mit dem Finger am Schalter oder durch das Anschließen eingeschalteter Geräte werden Unfälle provoziert.
 - d. **Entfernen Sie Einstell- oder Schraubenschlüssel, bevor Sie das Gerät einschalten.** Ein Schlüssel in einem sich drehenden Teil kann zu Verletzungen führen.
 - e. **Beugen Sie sich nicht zu weit nach vorne über. Achten Sie auf einen sicheren Stand, um in jeder Arbeitsposition das Gleichgewicht zu halten.** Dadurch können Sie das Gerät in unerwarteten Situationen besser unter Kontrolle halten.
 - f. **Tragen Sie geeignete Kleidung. Tragen Sie keine weite Kleidung oder Schmuck. Halten Sie Haare, Kleidung und Handschuhe fern von sich bewegenden Teilen.** Lockere Kleidung, Schmuck oder lange Haare können von sich bewegenden Teilen erfasst werden.
 - g. **Falls Staubabsaug- und -fangvorrichtungen vorhanden sind, vergewissern Sie sich, dass diese angeschlossen sind und richtig verwendet werden.** Das Verwenden einer Staubauffangvorrichtung verringert Gefährdungen durch Staub.
4. **Gebrauch und Pflege von Geräten**
 - a. **Überlasten Sie das Gerät nicht. Verwenden Sie das für**

- Ihre Arbeit passende Gerät. Durch das Arbeiten in dem für das Gerät angegebenen Leistungsbereich erzielen Sie nicht nur optimale Ergebnisse, Sie erhöhen auch die Sicherheit.
- b. **Verwenden Sie das Gerät nicht, wenn der Ein-/Ausschalter nicht funktioniert.** Ein Gerät, das sich nicht mehr ein- oder ausschalten lässt, ist gefährlich und muss repariert werden.
 - c. **Ziehen Sie den Stecker aus der Steckdose, und/oder trennen Sie das Gerät vom Akku, bevor Sie Einstellungen vornehmen, Zubehörteile wechseln oder das Gerät lagern.** Diese Vorsichtsmaßnahme verhindert den unbeabsichtigten Start des Geräts.
 - d. **Bewahren Sie unbenutzte Geräte außerhalb der Reichweite von Kindern auf. Lassen Sie Geräte nicht von Personen benutzen, die damit nicht vertraut sind oder diese Anweisungen nicht gelesen haben.** Geräte sind gefährlich, wenn sie von unerfahrenen Personen benutzt werden.
 - e. **Halten Sie Geräte in einem einwandfreien Zustand. Kontrollieren Sie, ob bewegliche Teile falsch ausgerichtet sind oder klemmen und ob Teile gebrochen oder so beschädigt sind, dass die Funktion des Geräts beeinträchtigt ist. Lassen Sie beschädigte Geräte vor dem Gebrauch reparieren.** Viele Unfälle haben ihre Ursache in schlecht gewarteten Geräten.
 - f. **Halten Sie Schneidwerkzeuge scharf und sauber.** Sorgfältig gepflegte Schneidwerkzeuge mit scharfen Schneidkanten verkleben sich seltener und sind leichter zu führen.
 - g. **Verwenden Sie Gerät, Zubehör, Einsatz-Bits usw. entsprechend diesen Anweisungen, und berücksichtigen Sie dabei die Arbeitsbedingungen und die auszuführende Arbeit.** Der Gebrauch von Geräten für andere als die vorgesehenen Anwendungen kann zu gefährlichen Situationen führen.
- 5. Gebrauch und Pflege von batteriebetriebenen Geräten**
- a. **Laden Sie den Akku nur mit dem vom Hersteller vorgesehenen Ladegerät auf.** Die Verwendung von Ladegeräten, die für eine andere Art von Akku bestimmt sind, kann dazu führen, dass sich der Akku beim Laden entzündet.
 - b. **Verwenden Sie nur die für das jeweilige Gerät vorgesehenen Akkus.** Die Verwendung anderer Akkus kann zu Verletzungen oder Bränden führen.
 - c. **Bewahren Sie den Akku bei Nichtbenutzung nicht in der Nähe metallischer Objekte wie Büroklammern, Münzen, Schlüsseln, Nägeln oder Schrauben auf, da diese eine Verbindung zwischen beiden Polen des Akkus herstellen können.** Durch den dadurch entstehenden Kurzschluss kann der Akku in Brand geraten.
 - d. **Durch unsachgemäßen Gebrauch können Flüssigkeiten aus dem Akku austreten. Berühren Sie diese nicht! Sollten Sie dennoch unbeabsichtigt mit diesen in Berührung kommen, waschen Sie die betroffenen Stellen sofort mit reichlich Wasser ab. Suchen Sie sofort einen Arzt auf, wenn die Flüssigkeit in Kontakt mit Ihren Augen gekommen ist.** Flüssigkeiten aus Akkus können Hautreizungen oder Verbrennungen hervorrufen.
- 6. Service**
- a. **Lassen Sie das Gerät nur von qualifiziertem Fachpersonal und nur mit Originalersatzteilen reparieren.** So wird gewährleistet, dass die Sicherheit des Geräts erhalten bleibt.

Zusätzliche Sicherheitswarnungen für das Gerät



Achtung! Zusätzliche Sicherheitswarnungen für Bohrschrauber und Schlagbohrmaschinen

- ◆ **Tragen Sie bei der Arbeit mit Schlagbohrmaschinen einen Gehörschutz.** Ein hoher Geräuschpegel kann Gehörschäden verursachen.
- ◆ **Verwenden Sie die mitgelieferten Zusatzgriffe.** Wenn Sie die Kontrolle über das Gerät verlieren, kann dies zu Verletzungen führen.
- ◆ **Halten Sie das Gerät an den isolierten Griffflächen fest, wenn Sie Arbeiten ausführen, bei denen verdeckte Kabel beschädigt werden könnten.** Der Kontakt mit stromführenden Leitungen kann auch offenliegende Metallteile am Gerät unter Strom setzen und zu einem Stromschlag führen.
- ◆ **Fixieren Sie das Werkstück mit Zwingen oder ähnlichen Hilfsmitteln auf einer stabilen Oberfläche.** Ein Werkstück, das mit der Hand oder gegen den Körper gehalten wird, ist unzureichend befestigt und kann leicht außer Kontrolle geraten.
- ◆ **Prüfen Sie vor dem Bohren in Wände, Fußböden oder Decken diese Stellen auf dahinter liegende Kabel oder Rohre.**
- ◆ **Berühren Sie die Spitze des Bohreinsatzes nicht unmittelbar nach dem Bohren, da diese heiß sein kann.**
- ◆ **Dieses Gerät darf nicht von Personen (einschließlich Kindern) mit eingeschränkten körperlichen, sensorischen oder geistigen Fähigkeiten oder mangelnder Erfahrung und Wissen in Bezug auf dessen Gebrauch bedient werden, es sei denn, sie werden bei der Verwendung des Geräts von einer erfahrenen Person beaufsichtigt oder angeleitet. Kinder müssen beaufsichtigt werden, um sicherzustellen, dass sie nicht mit dem Gerät spielen.**
- ◆ **Der vorgesehene Verwendungszweck ist in dieser Anleitung beschrieben. Die Verwendung von Zubehör**

oder Anbauteilen, die nicht in dieser Anleitung empfohlen sind, sowie die Bedienung des Geräts in Abweichung von den in dieser Anleitung beschriebenen Verfahren kann zu Verletzungen und/oder Sachschäden führen.

Sicherheit anderer Personen

- ◆ Dieses Gerät darf nicht von Personen (einschließlich Kindern) mit eingeschränkten körperlichen, sensorischen oder geistigen Fähigkeiten sowie mangelnder Erfahrung und Kenntnissen bedient werden, es sei denn, sie werden bei der Verwendung des Geräts von einer erfahrenen Person beaufsichtigt oder angeleitet.
- ◆ Kinder müssen beaufsichtigt werden, um sicherzustellen, dass sie nicht mit dem Gerät spielen.

Restrisiken.

Für den Gebrauch dieses Geräts verbleiben zusätzliche Restrisiken, die möglicherweise nicht in den Sicherheitswarnungen genannt werden. Diese Risiken bestehen beispielsweise bei Missbrauch oder längerem Gebrauch.

Auch bei der Einhaltung der entsprechenden Sicherheitsvorschriften und der Verwendung aller Sicherheitsgeräte bestehen weiterhin bestimmte Restrisiken. Diese werden im Folgenden aufgeführt:

- ◆ Das Berühren von sich drehenden/bewegenden Teilen kann Verletzungen zur Folge haben.
- ◆ Der Austausch von Teilen, Messern oder Zubehör kann Verletzungen zur Folge haben.
- ◆ Der längere Gebrauch eines Geräts kann Verletzungen zur Folge haben. Legen Sie bei längerem Gebrauch regelmäßige Pausen ein.
- ◆ Beeinträchtigung des Gehörs.
- ◆ Gesundheitsrisiken durch das Einatmen von Staub beim Gebrauch des Geräts (Beispielsweise bei Holzarbeiten, insbesondere Eiche, Buche und Pressspan).

Vibration

Die in den Abschnitten „Technische Daten“ und „EU-Konformitätserklärung“ angegebenen Werte für die Vibrationsemission wurden mit einer Standard-Prüfmethode nach EN 60745 ermittelt und können zum Vergleich verschiedener Geräte herangezogen werden. Außerdem kann mit Hilfe dieses Werts die Belastung bei Verwendung des Geräts schon im Voraus eingeschätzt werden.

Achtung! Die bei Verwendung des Geräts auftretende Vibrationsemission hängt von der Art des Gerätegebrauchs ab und kann dementsprechend von dem angegebenen Wert abweichen. Gegebenenfalls kann die Vibration über dem angegebenen Wert liegen.

Mithilfe der ermittelten Werte der Vibrationsbelastung durch Elektrogeräte lassen sich Sicherheitsmaßnahmen festlegen, die gemäß 2002/44/EG zum Schutz von Personen bestimmt sind, die diese Geräte regelmäßig bei der Arbeit verwenden. Bei der Einschätzung der Vibrationsbelastung sollten die Gebrauchsumstände und die Art der Verwendung des Geräts sowie alle Schritte des Arbeitszyklus berücksichtigt werden, wozu Ruhe-, Leerlauf- und Startzeiten gehören.

Warnsymbole am Gerät

Am Gerät sind folgende Warnsymbole angebracht:



Achtung! Lesen Sie vor Gebrauch die Anleitung. Andernfalls besteht Verletzungsgefahr.

Zusätzliche Sicherheitshinweise für Akkus und Ladegeräte

Akkus

- ◆ Auf keinen Fall öffnen.
- ◆ Achten Sie darauf, dass der Akku nicht mit Wasser in Berührung kommt.
- ◆ Nicht bei Temperaturen über 30 °C lagern.
- ◆ Laden Sie den Akku nur bei Umgebungstemperaturen von 4 °C bis 40 °C.
- ◆ Verwenden Sie ausschließlich das mitgelieferte Ladegerät.
- ◆ Beachten Sie bei der Entsorgung von Akkus die Hinweise im Abschnitt „Umweltschutz“.

Versuchen Sie nie, beschädigte Akkus aufzuladen.



Ladegeräte

- ◆ Verwenden Sie das Black & Decker Ladegerät nur für den Akku des Werkzeugs, mit dem es geliefert wurde. Andere Akkus könnten platzen und Sachschäden oder Verletzungen verursachen.
- ◆ Versuchen Sie keinesfalls, nicht aufladbare Batterien zu laden.
- ◆ Lassen Sie beschädigte Kabel sofort austauschen.
- ◆ Achten Sie darauf, dass das Ladegerät nicht mit Wasser in Berührung kommt.
- ◆ Versuchen Sie nicht, das Ladegerät zu öffnen.
- ◆ Nehmen Sie am Ladegerät keine Veränderungen vor.



Das Ladegerät darf nur im Innenbereich verwendet werden.



Vor Gebrauch die Anleitung lesen

Elektrische Sicherheit



Das Ladegerät ist schutzisoliert, daher ist keine Erdleitung erforderlich. Stellen Sie sicher, dass die Netzspannung der auf dem Typenschild des Geräts angegebenen Spannung entspricht. Ersetzen Sie das Ladegerät keinesfalls durch ein normales Netzkabel.

- ◆ Ist das Netzkabel beschädigt, muss es durch den Hersteller oder eine Black & Decker Vertragswerkstatt ausgetauscht werden, um eine mögliche Gefährdung zu vermeiden.

Merkmale

Dieses Gerät verfügt über einige oder alle der folgenden Merkmale.

1. Geschwindigkeitsregler
2. Vor/Zurückwahlschalter
3. Bohrfutter
4. Drehmomentvorwahl
5. Akku
6. Einsatzhalter

Abb. A

7. Ladegerät
8. Ladeanzeige

Montage

Achtung! Entfernen Sie vor der Montage den Akku aus dem Gerät.

Einsetzen und Entfernen des Akkus (Abb. B)

- ◆ Richten Sie den Akku (5) an der Aufnahme am Gerät aus, um diesen einzusetzen. Schieben Sie den Akku in die Aufnahme, bis er in der richtigen Position einrastet.
- ◆ Um den Akku zu entfernen, drücken Sie die Entriegelungstaste (12), und ziehen Sie gleichzeitig den Akku aus der Aufnahme.

Einsetzen und Entfernen eines Bohr- oder Schraubendrehereinsatzes (Abb. D)

Das Gerät verfügt über ein Schnellspannbohrfutter zum einfachen Wechseln der Einsätze.

- ◆ Sperren Sie das Gerät, indem Sie den Vor-/Zurückwahlschalter (2) in die mittlere Stellung bewegen.
- ◆ Öffnen Sie das Bohrfutter, indem Sie dieses (3) mit einer Hand drehen und das Gerät mit der anderen Hand festhalten.
- ◆ Setzen Sie den Einsatz (13) in das Bohrfutter ein.

- ◆ Ziehen Sie das Bohrfutter fest an, indem Sie dieses (3) mit einer Hand drehen und das Gerät mit der anderen Hand festhalten.

Gebrauch

Achtung! Beschleunigen Sie den Arbeitsvorgang nicht mit Gewalt. Vermeiden Sie eine Überlastung des Geräts.

Laden der Batterie (Abb. A)

Der Akku muss vor erstmaliger Benutzung und immer dann aufgeladen werden, wenn das Gerät nicht mehr die volle Leistung bringt. Während des Ladevorgangs kann der Akku warm werden. Das ist normal.

Achtung! Laden Sie den Akku nicht, wenn die Umgebungstemperatur unter 4 °C oder über 40 °C liegt. Empfohlene Ladetemperatur: etwa 24 °C.

Hinweis: Ein Akku, bei dem die Temperatur der Batteriezellen unter ca. 0 °C oder über 40 °C liegt, wird vom Ladegerät nicht geladen.

Lassen Sie in diesem Fall den Akku im Ladegerät. Das Ladegerät beginnt automatisch mit dem Ladevorgang, sobald sich die Zellen erwärmt bzw. abgekühlt haben.

- ◆ Setzen Sie den Akku (5) in das Ladegerät (9) ein, um diesen zu laden. Der Akku kann nur in einer Richtung in das Ladegerät eingesetzt werden. Gehen Sie nicht mit Gewalt vor. Vergewissern Sie sich, dass der Akku ordnungsgemäß im Ladegerät steckt.
- ◆ Schließen Sie das Ladegerät an eine Steckdose an, und schalten Sie die Stromversorgung ein.

Die Ladeanzeige (10) blinkt durchgängig grün (langsam). Der Ladevorgang ist abgeschlossen, wenn die Ladeanzeige (10) dauerhaft grün leuchtet. Sie können den Akku auf unbestimmte Zeit im Ladegerät belassen. In diesem Fall leuchtet die LED-Anzeige. Die LED-Anzeige beginnt erneut, grün zu blinken (Ladezustand), wenn der Akku gelegentlich nachgeladen wird. Solange der Akku mit dem angeschlossenen Ladegerät verbunden ist, leuchtet die Ladeanzeige (10).

- ◆ Ein entladener Akku sollte innerhalb einer Woche wieder aufgeladen werden. Die Lebensdauer des Akkus sinkt drastisch, wenn dieser in entladendem Zustand aufbewahrt wird.

Belassen des Akkus im Ladegerät

Sie können den Akku auf im Ladegerät belassen. In diesem Fall leuchtet die LED-Anzeige dauerhaft. Das Ladegerät hält den Akku in einem vollständig geladenen Zustand.

Diagnose des Ladegeräts

Wenn das Ladegerät einen schwachen oder beschädigten Akku feststellt, blinkt die Ladeanzeige (10) in schneller Folge rot. Gehen Sie folgendermaßen vor:

- ◆ Setzen Sie den Akku (5) erneut ein.
- ◆ Falls die Ladeanzeige weiterhin in schneller Folge rot blinkt, verwenden Sie einen anderen Akku, um herauszufinden, ob der Ladevorgang ordnungsgemäß ausgeführt wird.
- ◆ Wenn der ersetzte Akku ordnungsgemäß geladen wird, ist der ursprüngliche Akku defekt. Geben Sie diesen bei einem Service Center ab, damit er recycelt werden kann.
- ◆ Wenn bei dem neuen Akku dieselbe Anzeige erscheint wie bei dem ursprünglichen Akku, lassen Sie das Ladegerät von einer autorisierten Vertragswerkstatt überprüfen.

Hinweis: Es kann bis zu 60 Minuten dauern, bis sich herausstellt, ob der Akku tatsächlich defekt ist. Falls der Akku zu warm oder zu kalt sein sollte, blinkt die LED-Anzeige abwechselnd in langsamer und schneller Folge rot. Die Anzeige blinkt hierbei einmal langsam, einmal schnell. Danach wiederholt sich der Vorgang.


Auswählen der Drehrichtung (Abb. E)

Verwenden Sie zum Bohren und Anziehen von Schrauben die Vorwärtsdrehung (im Uhrzeigersinn). Verwenden Sie zum Entfernen von Schrauben und verklebten Bohreinsätzen die Rückwärtsdrehung (gegen den Uhrzeigersinn).

- ◆ Drücken Sie den Vor/Zurückwahlschalter (2) nach links, um die Vorwärtsdrehung einzustellen.
- ◆ Drücken Sie den Vor/Zurückwahlschalter nach rechts, um die Rückwärtsdrehung einzustellen.
- ◆ Bewegen Sie den Vor/Zurückwahlschalter in die mittlere Stellung, um das Gerät zu sperren.

Auswählen des Drehmoments

Dieses Gerät ist mit einem Einstellring zum Festlegen des Drehmoments für unterschiedliche Schraub- und Bohrarbeiten ausgestattet. Für große Schrauben und härtere Werkstücke muss ein größeres Drehmoment eingestellt werden als für kleine Schrauben und weiche Werkstücke. Die Definition der Symbole finden Sie in der folgenden Liste.

- ◆ Stellen Sie an der Drehmomentvorwahl (4) das Symbol  ein, um Bohrungen in Holz, Metall oder Kunststoff vorzunehmen.
- ◆ Stellen Sie zum Ausführen von Schraubarbeiten an der Drehmomentvorwahl die gewünschte Position ein. Sollten Ihnen die jeweils erforderlichen Einstellungen noch nicht bekannt sein, gehen Sie wie folgt vor:
 - Stellen Sie die Drehmomentvorwahl (4) auf die niedrigste Drehmomenteinstellung ein.
 - Ziehen Sie mit dieser Einstellung die erste Schraube fest.
 - Wenn die Einstellung nicht zum gewünschten Ergebnis führt, erhöhen Sie die Drehmomenteinstellung, und fahren Sie fort. Wiederholen Sie diesen Vorgang bis Sie die richtige Einstellung gefunden haben. Verwenden Sie die Einstellung auch für die übrigen Schrauben.

Bohren/Schrauben

- ◆ Wählen Sie mithilfe des Vor/Zurückwahlschalter (2) die Vorwärts- bzw. Rückwärtsdrehung aus.
- ◆ Drücken Sie zum Einschalten des Geräts den Schalter (1). Die Geschwindigkeit des Werkzeugs hängt davon ab, wie weit Sie den Schalter eindrücken.
- ◆ Lassen Sie zum Ausschalten des Geräts den Schalter los.

Hinweise für optimale Arbeitsergebnisse

Bohrarbeiten

- ◆ Stets mit leichtem Druck in gerader Linie mit dem Bohreinsatz arbeiten.
- ◆ Verringern Sie den Druck kurz bevor der Bohreinsatz das Werkstück durchbricht.
- ◆ Verwenden Sie ein Holzklötzchen als Unterlage unter Werkstücken, die möglicherweise splintern.
- ◆ Verwenden Sie Spitzbohrer, wenn Sie Löcher mit großem Durchmesser in Holz bohren.
- ◆ Verwenden Sie HSS-Bohreinsätze zum Bohren im Metall.
- ◆ Verwenden Sie zum Bohren in Mauerwerk einen geeigneten Bohreinsatz.
- ◆ Verwenden Sie ein Schmiermittel, wenn Sie in Metall bohren (ausgenommen Gusseisen und Messing).
- ◆ Erzeugen Sie mithilfe eines Körners eine Vertiefung in der Mitte des zu bohrenden Lochs, um die Genauigkeit der Bohrung zu erhöhen.

Schraubarbeiten

- ◆ Verwenden Sie stets Schraubendrehereinsätze der richtigen Art und Größe.
- ◆ Sollten beim Festziehen von Schrauben Schwierigkeiten auftreten, verwenden Sie etwas Spülmittel oder Seife als Schmiermittel.
- ◆ Halten Sie das Gerät und den Schraubendrehereinsatz stets in gerader Linie zur Schraube.

Wartung

Ihr Black & Decker Gerät wurde im Hinblick auf eine lange Lebensdauer und einen möglichst geringen Wartungsaufwand entwickelt. Ein dauerhafter, einwandfreier Betrieb setzt eine regelmäßige Pflege und Reinigung voraus.

Das Ladegerät benötigt keine Wartung, es sollte aber regelmäßig gereinigt werden.

Achtung! Entfernen Sie vor jeglichen Wartungsarbeiten am Gerät den Akku aus dem Gerät. Ziehen Sie das Ladegerät aus der Netzsteckdose, bevor Sie es reinigen.

- ◆ Reinigen Sie regelmäßig die Lüftungsschlitze des Geräts und des Ladegeräts mit einer weichen Bürste oder einem trockenen Tuch.

- ◆ Reinigen Sie regelmäßig das Motorgehäuse mit Hilfe eines feuchten Tuchs. Verwenden Sie keine scheuernden Reinigungsmittel oder Reinigungsmittel auf Lösungsmittelbasis.
- ◆ Öffnen Sie regelmäßig das Spannfutter, und entfernen Sie durch Klopfen Staub aus dem Inneren des Geräts.

- ◆ NiCd-, NiMH- und Lithiumionenakkus sind recycelbar. Bringen Sie die Batterien oder Akkus zu einer autorisierten Vertragswerkstatt oder zu einer Rücknahmestelle in Ihrer Nähe.

Umweltschutz



Getrennte Entsorgung. Dieses Produkt darf keinesfalls mit dem Hausmüll entsorgt werden.

Sollten Sie Ihr Black & Decker Produkt eines Tages ersetzen oder nicht mehr benötigen, entsorgen Sie es nicht mit dem Hausmüll. Führen Sie das Produkt einer getrennten Sammlung zu.



Durch die getrennte Sammlung von ausgedienten Produkten und Verpackungsmaterialien können Rohstoffe recycelt und wiederverwendet werden. Die Wiederverwendung aufbereiteter Materialien trägt zur Vermeidung der Umweltverschmutzung bei und senkt den Rohstoffbedarf.

Die Verordnung zur Abfallentsorgung Ihrer Gemeinde sieht möglicherweise vor, dass Elektrogeräte getrennt vom Hausmüll gesammelt, an der örtlichen Abfallentsorgungseinrichtung abgegeben oder beim Kauf eines neuen Produkts vom Fachhandel zur Entsorgung angenommen werden müssen.

Black & Decker nimmt Ihre ausgedienten Black & Decker Geräte gern zurück und sorgt für eine umweltfreundliche Entsorgung bzw. Wiederverwertung. Um diese Dienstleistung in Anspruch zu nehmen, geben Sie das Gerät bitte bei einer autorisierten Reparaturwerkstatt ab, die für uns die Einsammlung übernimmt.

Die Adresse der zuständigen Niederlassung von Black & Decker steht in dieser Anleitung. Dort teilt man Ihnen gerne die nächstgelegene Vertragswerkstatt mit. Außerdem ist eine Liste der Vertragswerkstätten und aller Kundendienststellen von Black & Decker sowie der zuständigen Ansprechpartner im Internet zu finden unter: www.2helpU.com

Akkus



Entladen Sie den Akku vollständig, und entfernen Sie ihn dann aus dem Gerät.

Technische Daten

		EPL14 (H1)	EPL18 (H1)
Spannung	V_{ac}	14,4	18
Leerlaufdrehzahl	Min ⁻¹	0-750	0-750
Max. Drehmoment	Nm	10/21	11/21
Größe des Bohrfutters	mm	10	10
Maximale Bohrtiefe			
Stahl/Holz	mm	10/25	10/25

Ladegerät	905531** Typ. 1		
Eingangsspannung	V_{ac}	230	
Ausgangsspannung	V_{ac}	16,4 / 20,5	
Stromstärke	mA	200	
Ungefähre Ladezeit	Std.	5 - 7	

Akku	BL1114	BL1314	BL1514	
Spannung	V_{ac}	14,4	14,4	14,4
Kapazität	Ah	1,1	1,3	1,5
Typ	Lithiumionen	Lithiumionen	Lithiumionen	

Akku	BL1118	BL1318	BL1518	
Spannung	V_{ac}	18	18	18
Kapazität	Ah	1,1	1,3	1,5
Typ	Lithiumionen	Lithiumionen	Lithiumionen	

Schalldruckpegel gemäß EN 60745:	
Schalldruck (L_{pA})	87,5 dB(A), Unsicherheitsfaktor (K) 3 dB(A)
Schalleistung (L_{WA})	98,5 dB(A), Unsicherheitsfaktor (K) 3 dB(A)

Gesamtvibration (Triax-Vektorsumme) gemäß EN 60745:	
Metallobhren ($a_{h,r}$)	<2,5 m/s ² , Unsicherheitsfaktor (K) 1,5 m/s ²
Schrauben ohne Schlagbohrfunktion ($a_{h,r}$)	<2,5 m/s ² , Unsicherheitsfaktor (K) 1,5 m/s ²

EG-Konformitätserklärung

MASCHINENRICHTLINIE



EPL14 / EPL18

Black & Decker erklärt, dass diese unter „Technische Daten“ beschriebenen Geräte übereinstimmen mit:
2006/42/EG, EN 60745-1, EN 60745-2-1

Weitere Informationen erhalten Sie von Black & Decker unter der folgenden Adresse. Diese befindet sich auch auf der Rückseite dieser Anleitung.

Der Unterzeichnete ist verantwortlich für die Zusammenstellung der technischen Daten und gibt diese Erklärung im Namen von Black & Decker ab.

Kevin Hewitt
Vice-President Global Engineering
Black & Decker Europe, 210 Bath Road, Slough,
Berkshire, SL1 3YD
Großbritannien
10.03.2010

Garantie

Black & Decker vertraut auf die Qualität der eigenen Geräte und bietet dem Käufer eine außergewöhnliche Garantie. Diese Garantiezusage versteht sich unbeschadet der gesetzlichen Gewährleistungsansprüche und schränkt diese keinesfalls ein. Sie gilt in sämtlichen Mitgliedstaaten der Europäischen Union und der Europäischen Freihandelszone EFTA.

Tritt innerhalb von 24 Monaten ab Kaufdatum an einem Gerät von Black & Decker ein auf Material- oder Verarbeitungsfehler zurückzuführender Mangel auf, garantiert Black & Decker den Austausch defekter Teile, die Reparatur von Geräten mit üblichem Verschleiß_ bzw. den Austausch eines mangelhaften Gerätes, ohne den Kunden dabei mehr als unbedingt nötig in Anspruch zu nehmen, allerdings vorbehaltlich folgender Ausnahmen:

- ◆ wenn das Gerät gewerblich, beruflich oder im Verleihgeschäft benutzt wurde;
- ◆ wenn das Gerät missbräuchlich verwendet oder mit mangelnder Sorgfalt behandelt wurde;
- ◆ wenn das Gerät durch irgendwelche Fremdeinwirkung beschädigt wurde;
- ◆ wenn ein unbefugter Reparaturversuch durch anderes Personal als das einer Vertragswerkstatt oder des Black & Decker Kundendienstes unternommen wurde.

Zur Inanspruchnahme dieser Garantie ist dem Verkäufer bzw. der Vertragswerkstatt ein Kaufnachweis vorzulegen. Die Adresse der zuständigen Niederlassung von Black & Decker steht in dieser Anleitung. Dort teilt man Ihnen gerne die nächstgelegene Vertragswerkstatt mit. Außerdem ist eine Liste der Vertragswerkstätten und aller Kundendienststellen von Black & Decker sowie der zuständigen Ansprechpartner im Internet zu finden unter: www.2helpU.com

Bitte besuchen Sie unsere Website www.blackanddecker.de, um Ihr neues Black & Decker Produkt zu registrieren. Dort erhalten Sie auch Informationen über neue Produkte und Sonderangebote. Weitere Informationen über die Marke **Black & Decker** und unsere Produkte finden Sie unter www.blackanddecker.de.

Utilisation

Votre perceuse/visseuse Black & Decker peut visser et percer le bois, le métal et le plastique. Cet outil est destiné à une utilisation exclusivement domestique.

Consignes de sécurité

Consignes de sécurité concernant les outils électroportatifs



Attention ! Lisez avec attention tous les avertissements et toutes les instructions. Le non-respect de cette consigne peut entraîner une électrocution, un incendie et/ou de graves blessures.

Conservez tous les avertissements et instructions pour référence ultérieure. La notion d'« outil électroportatif » mentionnée par la suite se rapporte à des outils électriques raccordés au secteur (avec câble de raccordement) ou fonctionnant avec piles (sans fil).

1. Sécurité de la zone de travail

- a. **Maintenez la zone de travail propre et bien éclairée.**
Un lieu de travail en désordre ou mal éclairé augmente le risque d'accidents.
- b. **N'utilisez pas les outils électroportatifs dans un environnement présentant des risques d'explosion ni en présence de liquides, gaz ou poussières inflammables.** Les outils électroportatifs génèrent des étincelles risquant d'enflammer les poussières ou les vapeurs.
- c. **Tenez les enfants et autres personnes éloignés durant l'utilisation de l'outil électroportatif.** En cas d'inattention, vous risquez de perdre le contrôle de l'outil.

2. Sécurité électrique

- a. **La prise de l'outil électroportatif doit être compatible avec la prise d'alimentation. Ne modifiez en aucun cas la prise.** N'utilisez pas de prises d'adaptateur avec des appareils ayant une prise de terre. Le respect de ces consignes réduit le risque de choc électrique.
- b. **Évitez le contact physique avec des surfaces mises à la terre telles que tuyaux, radiateurs, fours et réfrigérateurs.** Le risque de choc électrique augmente si votre corps est relié à la terre.
- c. **N'exposez pas l'outil électroportatif à la pluie ou à l'humidité.** La pénétration d'eau dans un outil électroportatif augmente le risque de choc électrique.
- d. **Préservez le câble d'alimentation. N'utilisez pas le câble pour porter l'outil, pour l'accrocher.** Ne le tirez pas pour le débrancher. Maintenez le câble éloigné des sources de chaleurs, des parties huilées, des

bords tranchants ou des parties de l'appareil en rotation. Le risque de choc électrique augmente si les câbles sont endommagés ou emmêlés.

- e. **Si vous utilisez l'outil électroportatif à l'extérieur, utilisez une rallonge homologuée pour une utilisation à l'extérieur.** L'utilisation d'une rallonge électrique homologuée pour les travaux à l'extérieur réduit le risque de choc électrique.
 - f. **Si l'outil doit être utilisé dans un endroit humide, prenez les précautions nécessaires en utilisant un dispositif à courant résiduel (RCD).** L'utilisation d'un tel dispositif réduit les risques d'électrocution.
3. Sécurité personnelle
 - a. **Restez vigilant, surveillez ce que vous faites. Faites preuve de bon sens quand vous utilisez un outil électroportatif. N'utilisez pas l'outil lorsque vous êtes fatigué ou après avoir consommé de l'alcool ainsi que des médicaments.** Un moment d'inattention en utilisant l'outil peut entraîner de graves blessures.
 - b. **Portez un équipement de protection. Portez toujours des lunettes de protection.** Selon le travail à effectuer, le port d'équipement de protection tels que masque anti-poussières, chaussures de sécurité antidérapantes, casque ou protection auditive, réduit le risque de blessures.
 - c. **Évitez un démarrage imprévu. L'appareil doit être en position OFF (arrêt) avant d'effectuer le branchement à l'alimentation et/ou au bloc-batterie, de le ramasser ou de le porter.** Ne laissez pas votre doigt sur le bouton de commande en le transportant. N'alimentez pas l'outil si le bouton est activé. Ceci pourrait être à l'origine d'accident.
 - d. **Enlevez tout outil ou clé de réglage avant de mettre l'appareil en marche.** Une clé ou un outil se trouvant sur une partie en rotation peut causer des blessures.
 - e. **Adoptez une position confortable. Adoptez une position stable et gardez votre équilibre en permanence.** Vous contrôlerez ainsi mieux l'outil dans des situations inattendues.
 - f. **Portez des vêtements appropriés. Ne portez pas de vêtements amples ou de bijoux. N'approchez pas les cheveux, vêtements ou gants des parties des pièces mobiles.** Les vêtements amples, les bijoux ou les cheveux longs peuvent s'accrocher dans les pièces en mouvement.
 - g. **En cas d'utilisation d'appareils servant à aspirer ou à recueillir les poussières, assurez-vous qu'ils sont correctement raccordés et utilisés.** L'utilisation de tels dispositifs réduit les dangers dus aux poussières.
 4. Utilisation des outils électroportatifs et précautions
 - a. **Respectez la capacité de l'outil. Utilisez l'outil**

électroportatif approprié pour le travail à effectuer.

Avec un outil approprié, vous travaillerez mieux et en toute sécurité.

- b. **N'utilisez pas un outil électroportatif dont l'interrupteur est défectueux.** Un outil électroportatif qui ne répond pas à la commande marche/arrêt est dangereux et doit être réparé.
 - c. **Retirez la prise de courant et/ou débranchez le bloc-batterie avant d'effectuer des réglages, de changer les accessoires ou de ranger l'outil.** Cette mesure de précaution empêche de mettre l'outil en marche accidentellement.
 - d. **Rangez les outils électroportatifs hors de portée des enfants. Les personnes ne connaissant pas l'outil ou n'ayant pas lu ces instructions ne doivent en aucun cas l'utiliser.** Les outils électroportatifs sont dangereux lorsqu'ils sont utilisés par des personnes non initiées.
 - e. **Entretenez les outils électroportatifs. Vérifiez que les parties en mouvement fonctionnent correctement et qu'elles ne sont pas coincées. Vérifiez qu'il n'y a pas de pièces cassées ou endommagées susceptibles de nuire au bon fonctionnement de l'outil.** S'il est endommagé, faites réparer l'outil avant de l'utiliser. De nombreux accidents sont la conséquence d'outils mal entretenus.
 - f. **Maintenez les outils de coupe aiguisés et propres.** Des outils soigneusement entretenus avec des bords tranchants bien aiguisés se coincent moins souvent et peuvent être guidés plus facilement.
 - g. **Utilisez les outils électroportatifs, les accessoires, etc., en suivant ces instructions et en tenant compte des conditions de travail, ainsi que du travail à effectuer.** L'utilisation des outils électroportatifs à d'autres fins que celles prévues peut vous mettre en situation dangereuse.
5. **Utilisation de la batterie et précautions**
 - a. **Ne rechargez qu'avec le chargeur proposé par le fabricant.** Un chargeur destiné à un type de bloc-batteries risque de provoquer des incendies s'il est utilisé avec un bloc-batteries différent.
 - b. **N'utilisez les appareils électroportatifs qu'avec le bloc-batterie approprié.** L'utilisation d'un autre bloc-batterie peut provoquer des blessures ou être à l'origine d'un feu.
 - c. **Quand le bloc-batterie n'est pas utilisé, éloignez-le d'objets en métal comme des agrafes, des pièces, des clés, des clous, des vis ou autres petits objets qui pourraient établir une connexion d'une borne à l'autre.** Un tel court-circuit peut être à l'origine d'un feu ou de brûlures.
 - d. **En cas d'utilisation excessive, le liquide peut sortir de la batterie; évitez tout contact. Si vous n'avez pu**

éviter le contact, rincez à l'eau. En cas de contact avec les yeux, consultez un médecin. Le liquide sortant des batteries peut causer des irritations ou des brûlures.

6. Réparations

- a. **Faites réparer votre outil électroportatif uniquement par du personnel qualifié et seulement avec des pièces de rechange appropriées.** Cela garantira le maintien de la sécurité de votre outil.

Consignes de sécurité supplémentaires concernant les outils électroportatifs



Attention ! Prendre encore plus de précautions pour les perceuses et les perceuses à percussion.

- ◆ **Portez un serre-tête antibruit si vous utilisez une perceuse à percussion.** L'exposition au bruit peut entraîner la perte de l'ouïe.
- ◆ **Utilisez les poignées auxiliaires livrées avec l'outil.** La perte de contrôle peut entraîner des blessures.
- ◆ **Tenez l'outil au niveau des surfaces de prise isolées.** Ceci permet d'éviter les accidents en cas de contact de l'accessoire de coupe/fixation avec des fils cachés. En touchant un fil sous tension, la charge électrique passe dans les parties métalliques de l'outil électroportatif et il y a risque de choc électrique.
- ◆ **Utilisez des pinces ou autres pour fixer et soutenir la pièce de manière stable.** Si vous la tenez à la main ou contre votre corps, elle ne sera pas stable et vous pouvez en perdre le contrôle.
- ◆ **Avant de percer les murs, les planchers ou les plafonds, vérifiez l'emplacement des câblages et des tuyaux.**
- ◆ **Évitez de toucher le bout d'un foret juste après avoir percé.** Il peut être chaud.
- ◆ **Cet outil ne peut être utilisé par des personnes (y compris des enfants) ayant des capacités mentales, sensorielles ou physiques réduites, ou celles manquant d'expérience et de connaissances, à moins qu'elles ne soient encadrées ou qu'elles n'aient été formées à l'utilisation de l'outil par une personne responsable de leur sécurité.** Ne laissez jamais les enfants sans surveillance pour éviter qu'ils ne jouent avec cet outil.
- ◆ **Les consignes d'utilisation sont données dans ce manuel d'instructions.** L'utilisation d'un accessoire ou d'une fixation, ou bien l'utilisation de cet outil à d'autres fins que celles recommandées dans ce manuel d'instructions peut entraîner des blessures et/ou des dommages matériels.

Sécurité des personnes

- ◆ **Cet outil ne doit pas être utilisé par des personnes (y compris les enfants) ayant des déficiences physiques,**

mentales ou sensorielles. Cette consigne s'applique aussi aux personnes manquant d'expérience et de connaissance du matériel, à moins que celles-ci n'aient reçu les instructions appropriées ou qu'elles ne soient encadrées par une personne responsable de leur sécurité pour utiliser l'outil.

- ◆ Ne laissez jamais les enfants sans surveillance pour éviter qu'ils ne jouent avec cet outil.

Risques résiduels.

L'utilisation d'un outil non mentionné dans les consignes de sécurité données peut entraîner des risques résiduels supplémentaires. Ces risques peuvent survenir si l'outil est mal utilisé, si l'utilisation est prolongée, etc.

Malgré l'application des normes de sécurité correspondantes et la présence de dispositifs de sécurité, les risques résiduels suivants ne peuvent être évités. Ceci comprend :

- ◆ Les blessures dues au contact avec une pièce mobile/en rotation.
- ◆ Les blessures causées en changeant des pièces, lames ou accessoires.
- ◆ Les blessures dues à l'utilisation prolongée d'un outil. Une utilisation prolongée de l'outil nécessite des pauses régulières.
- ◆ Déficience auditive.
- ◆ Risques pour la santé causés par l'inhalation de poussières produites pendant l'utilisation de l'outil (exemple : travail avec du bois, surtout le chêne, le hêtre et les panneaux en MDF).

Vibration

La valeur des émissions de vibration déclarée dans la section Déclaration/Données techniques de conformité a été mesurée selon une méthode d'essai standard fournie par la norme EN 60745 et peut être utilisée pour comparer un outil à un autre. Elle peut aussi être utilisée pour une évaluation préliminaire à l'exposition.

Attention ! Selon la manière dont l'outil est utilisé, la valeur des émissions de vibration pendant l'utilisation de l'outil peut être différente de la valeur déclarée. Le niveau de vibration peut augmenter au-dessus du niveau établi.

Quand l'exposition aux vibrations est évaluée afin de déterminer les mesures de sécurité requises par la norme 2002/44/CE pour protéger les personnes utilisant régulièrement des outils électroportatif, il faut tenir compte d'une estimation de l'exposition aux vibrations, des conditions actuelles d'utilisation et de la manière dont l'outil est utilisé. Il faut aussi tenir compte de toutes les pièces du cycle de fonctionnement comme la durée pendant laquelle l'outil est arrêté et quand il fonctionne au ralenti, ainsi que la durée du déclenchement.

Étiquettes de l'outil

Les symboles ci-dessous se trouvent sur l'outil :



Attention ! Pour réduire le risque de blessures, l'utilisateur doit lire le manuel d'instructions.

Consignes de sécurité supplémentaires concernant les batteries et les chargeurs

Batteries

- ◆ En aucun cas, n'essayez d'ouvrir l'outil.
- ◆ Ne mettez pas la batterie en contact avec l'eau.
- ◆ Ne rangez pas l'outil dans des endroits où la température peut dépasser 30 °C.
- ◆ Ne chargez qu'à température ambiante comprise entre 4 °C et 40 °C.
- ◆ N'utilisez que le chargeur fourni avec l'outil.
- ◆ Pour la mise au rebut des batteries, suivez les instructions données dans la section "Protection de l'environnement".

N'essayez pas de charger des batteries endommagées.



Chargeurs

- ◆ N'utilisez votre chargeur Black & Decker que pour charger la batterie fournie avec l'outil. D'autres batteries pourraient exploser, provoquant des blessures et des dommages.
- ◆ **Ne tentez jamais de recharger des batteries non rechargeables.**
- ◆ Remplacez immédiatement les fils électriques endommagés.
- ◆ N'approchez pas le chargeur de l'eau.
- ◆ N'ouvrez pas le chargeur.
- ◆ Ne testez pas le chargeur.



Le chargeur ne peut être utilisé qu'à l'intérieur.



Lisez le manuel d'instruction avant d'utiliser l'outil.

Sécurité électrique



Votre chargeur est doublement isolé. Par conséquent, aucun câble de terre n'est nécessaire. Vérifiez toujours si la tension indiquée sur la plaque signalétique de l'appareil correspond à la tension de secteur. N'essayez jamais de remplacer le chargeur par une prise secteur.

- ◆ Si le câble d'alimentation est endommagé, il doit être remplacé par le fabricant ou par un Centre de réparation agréé Black & Decker pour éviter tout risque.

Caractéristiques

Cet outil comprend certains, ou tous, les éléments suivants :

1. Sélecteur de vitesse
2. Bouton de commande avant/arrière
3. Mandrin
4. Collier de serrage
5. Batterie
6. Support d'embout

Figure A

7. Chargeur
8. Témoin de charge

Assemblage

Attention ! Avant l'assemblage, retirez la batterie de l'outil.

Installation et retrait de la batterie (figure B)

- ◆ Pour installer la batterie(5), alignez-la avec le boîtier sur l'outil. Glissez la batterie dans le boîtier et poussez-la jusqu'à ce qu'elle s'enclenche.
- ◆ Pour retirer la batterie, poussez le bouton de dégagement (12) tout en tirant sur la batterie pour la sortir.

Mise en place et retrait d'un foret ou de l'embout du tournevis (figure D)

Le mandrin auto-serrant facilite les changements de forets.

- ◆ Pour verrouiller l'outil, placez le bouton de commande avant/arrière (2) au centre.
- ◆ Ouvrez le mandrin en le tournant (3) avec une main tout en maintenant l'outil de l'autre main.
- ◆ Insérez la tige du foret (13) dans le mandrin.
- ◆ Serrez fermement le mandrin en le tournant (3) avec une main tout en maintenant l'outil de l'autre main.

Utilisation

Attention ! Laissez l'outil fonctionner à sa propre vitesse. Ne le poussez pas au-delà de sa limite.

Charge de la batterie (figure A)

La batterie doit être chargée avant la première utilisation et chaque fois qu'elle semble faible. La batterie peut chauffer pendant la charge. Ceci est un phénomène normal qui ne présente pas un problème.

Attention ! Ne chargez pas la batterie si la température ambiante est inférieure à 4 °C ou supérieure à 40 °C. Température de charge recommandée : environ 24 °C.

Remarque : le chargeur ne chargera pas le bloc-batteries si la température de l'élément est inférieure à environ 0 °C ou supérieure à 40 °C.

Le bloc-batteries doit rester dans le chargeur. Le chargeur commence automatiquement la charge quand la température de l'élément se réchauffe ou se refroidit.

- ◆ Pour charger la batterie (5), insérez-la dans le chargeur (9). Il n'y a qu'un moyen d'insérer la batterie sur le chargeur. Ne forcez pas. Assurez-vous que la batterie est complètement enclenchée dans le chargeur.
- ◆ Branchez le chargeur au secteur.

Le témoin de charge (10) clignote continuellement en vert (lentement).

Le processus est terminé quand le témoin (10) reste allumé continuellement en vert. Le chargeur et la batterie peuvent restés connectés en permanence avec le témoin allumé. Le témoin peut se mettre à clignoter en vert (charge) si le chargeur détecte qu'il faut compléter la charge de la batterie. Le témoin de charge (10) clignote aussi longtemps que la batterie est branchée au chargeur connecté.

- ◆ Rechargez les batteries toutes les semaines. Il est préférable de ne pas ranger la batterie si elle est déchargée. La durée de vie de la batterie en serait limitée.

Batterie en place dans le chargeur

Le chargeur et le bloc-batteries peuvent restés connectés en permanence avec le témoin allumé. Le chargeur maintient le bloc-batteries complètement chargé.

Diagnostics du chargeur

Si le chargeur détecte des dommages ou une usure de la batterie, le témoin de charge (10) clignote rapidement en rouge. Procédez comme suit :

- ◆ Réinsérez la batterie (5).
- ◆ Si les témoins de charge continuent de clignoter rapidement en rouge, déterminez à l'aide d'une autre batterie si le processus de charge fonctionne correctement.
- ◆ Si la batterie d'essai se charge correctement, la batterie d'origine est défectueuse et doit être renvoyée au centre de réparation pour être recyclée.
- ◆ Si la nouvelle batterie signale le même problème, demandez à un centre de réparation autorisé de tester le chargeur.

Remarque : la détection de la défaillance peut prendre jusqu'à 60 minutes. Si le bloc-batteries est trop chaud ou trop froid, le témoin alterne un clignotement lent, puis un clignotement rapide en rouge et ainsi de suite.

Sélection du sens de rotation (figure E)

Pour percer ou pour serrer les vis, utilisez la rotation dans le sens des aiguilles d'une montre. Pour desserrer les vis ou retirer un foret bloqué, utilisez la rotation dans le sens inverse des aiguilles d'une montre.

- ◆ Pour sélectionner la rotation dans le sens des aiguilles d'une montre, poussez le bouton de commande avant/arrière (2) vers la gauche.
- ◆ Pour sélectionner la rotation dans le sens inverse des aiguilles d'une montre, poussez le bouton de commande avant/arrière vers la droite.
- ◆ Pour verrouiller l'outil, placez le bouton de commande avant/arrière au centre.

Sélection du couple

Cet outil est muni d'un collier qui permet de régler le couple pour différentes applications. Les grandes vis et les pièces dures demandent un couple de serrage plus élevé que les petites vis et les pièces tendres. Pour la définition du symbole, reportez-vous à la liste ci-dessous.

- ◆ Pour percer du bois, du métal et du plastique, réglez le collier (4) sur le symbole **1**.
- ◆ Pour visser, réglez le collier dans la position désirée. Si vous ne connaissez pas le réglage approprié, effectuez ce qui suit :
 - Serrez le collier (4) au couple le plus faible.
 - Serrez la première vis.
 - Si l'enclenchement se fait avant d'obtenir le résultat désiré, augmentez le réglage du collier et continuez le serrage de la vis. Recommencez jusqu'à ce que le réglage correct soit obtenu. Utilisez ce réglage pour les vis restantes.

Perçage/vissage

- ◆ Pour sélectionner la rotation, utilisez le bouton de commande avant/arrière (2).
- ◆ Pour mettre l'outil en marche, appuyez sur le sélecteur (1). La vitesse de l'outil dépend de la pression sur le bouton.
- ◆ Pour arrêter l'outil, relâchez le sélecteur.

Conseils pour une utilisation optimale

Perçage

- ◆ Enfoncez le foret tout droit en appuyant toujours légèrement.
- ◆ Juste avant que le bout du foret n'atteigne l'autre côté de la pièce à percer, diminuez la pression sur l'outil.
- ◆ Utilisez un bloc de bois pour protéger les pièces à percer afin d'éviter les éclats.
- ◆ Utilisez des forets à trois pointes pour percer des gros trous dans le bois.
- ◆ Utilisez les forets HSS pour percer du métal.

- ◆ Utilisez des forets à tranchants pour percer dans la pierre tendre.
- ◆ Utilisez un lubrifiant pour percer le métal, autre que le laiton et la fonte.
- ◆ Marquez un point au centre du trou à percer pour plus de précisions.

Vissage

- ◆ Choisissez toujours un embout du type et de la taille appropriés.
- ◆ Si le serrage est difficile, enduisez la vis d'une petite quantité de liquide de vaisselle ou de savon comme lubrifiant.
- ◆ Aligned toujours l'outil et l'embout du tournevis avec la vis.

Entretien

Votre appareil Black & Decker a été conçu pour fonctionner pendant longtemps avec un minimum d'entretien. Un fonctionnement continu satisfaisant dépend d'un nettoyage régulier et d'un entretien approprié de l'outil.

Aucun entretien particulier n'est nécessaire pour le chargeur en dehors du nettoyage régulier.

Attention ! Avant d'entretenir l'outil, retirez la batterie.

Débranchez le chargeur avant de le nettoyer.

- ◆ Nettoyez régulièrement les orifices de ventilation de votre outil et chargeur à l'aide d'une brosse souple ou d'un chiffon sec.
- ◆ Nettoyez régulièrement le compartiment du moteur à l'aide d'un chiffon humide. N'utilisez pas de produit abrasif ou à base de solvant.
- ◆ Ouvrez régulièrement le mandrin et retirez la poussière à l'intérieur en le tapant.

Protection de l'environnement



Recyclage. Cette lampe ne doit pas être jetée avec les déchets ménagers.

Si votre appareil/outil Black & Decker doit être remplacé ou si vous ne l'utilisez plus, ne le jetez pas avec les ordures ménagères. Songez à la protection de l'environnement et recyclez-le.



La collecte séparée des produits et des emballages usagés permet de recycler et de réutiliser des matériaux.

La réutilisation de matériaux recyclés évite la pollution de l'environnement et réduit la demande de matières premières.

Des réglementations locales peuvent stipuler la collecte séparée des produits électriques et des produits ménagers, dans des déchetteries municipales ou par le revendeur lorsque vous achetez un nouveau produit.

Black & Decker offre une solution permettant de recycler les produits Black & Decker lorsqu'ils ont atteint la fin de leur cycle de vie. Pour pouvoir profiter de ce service, veuillez retourner votre produit à un réparateur agréé qui se chargera de le collecter pour nous.

Pour connaître l'adresse du réparateur agréé le plus proche de chez vous, contactez le bureau Black & Decker à l'adresse indiquée dans ce manuel. Vous pourrez aussi trouver une liste de réparateurs agréés de Black & Decker et de plus amples détails sur notre service après-vente sur le site Internet à l'adresse suivante : www.2helpU.com

Batteries



Déchargez complètement la batterie, puis retirez-la de l'outil.

- ◆ Les batteries NiCd, NiMH et Li-Ion sont recyclables. Déposez-les chez un technicien d'entretien agréé ou dans un centre de recyclage local.

Caractéristiques techniques

		EPL14 (H1)	EPL18 (H1)
Tension	V_{ac}	14.4	18
Aucune vitesse de charge	Min.	0-750	0-750
Couple max.	Nm	10/21	11/21
Capacité mandrin	mm	10	10
Capacité max de perçage			
Acier/Bois	mm	10/25	10/25

Chargeur		905531** type 1
Tension d'entrée	V_{ac}	230
Tension de sortie	V_{cc}	16.4 / 20.5
Courant	mA	200
Charge approximative	h	5 - 7

Batterie	BL1114	BL1314	BL1514	
Tension	V_{ac}	14.4	14.4	14.4
Capacité	Ah	1.1	1.3	1.5
Type	Li-Ion	Li-Ion	Li-Ion	

Batterie	BL1118	BL1318	BL1518	
Tension	V_{ac}	18	18	18
Capacité	Ah	1,1	1,3	1,5
Type	Li-Ion	Li-Ion	Li-Ion	

Niveau de pression sonore selon la norme EN 60745 :

Pression sonore (L_{pA}) 87,5 dB(A), incertitude (K) 3 dB(A)

Puissance sonore (L_{wA}) 98,5 dB(A), incertitude (K) 3 dB(A)

Valeurs totales des vibrations (somme vectorielle triaxiale) selon la norme EN 60745 :

Perçage, métal ($a_{h,v}$) <2,5 m/s², incertitude (K) 1,5 m/s²

Vissage sans impact ($a_{h,v}$) <2,5 m/s², incertitude (K) 1,5 m/s²

Déclaration de conformité CE

CONSIGNES DE MACHINERIE



EPL14 / EPL18

Black & Decker confirme que les produits décrits dans les "Données techniques" sont conformes aux normes : 2006/42/CE, EN 60745-1, EN 60745-2-1

Pour plus de détails, veuillez contacter Black & Decker à l'adresse suivante ou reportez-vous au dos du manuel.

Le soussigné est responsable des données de la fiche technique et fait cette déclaration au nom de Black & Decker.

Kevin Hewitt
Vice-Président - ingénierie internationale
Black & Decker Europe, 210 Bath Road, Slough,
Berkshire, SL1 3YD
Royaume-Uni
10/03/2010

Garantie

Black & Decker assure la qualité de ses produits et vous offre une garantie très élargie. Ce certificat de garantie est un document supplémentaire et ne peut en aucun cas se substituer à vos droits légaux. La garantie est valable sur tout le territoire des États Membres de l'Union Européenne et de la Zone de Libre Échange Européenne.

Si un produit Black & Decker s'avère défectueux en raison de matériaux en mauvaises conditions, d'une erreur humaine, ou d'un manque de conformité dans les 24 mois suivant la date d'achat, Black & Decker garantit le remplacement des pièces défectueuses, la réparation des produits usés ou cassés ou remplace ces produits à la convenance du client, sauf dans les circonstances suivantes :

- ◆ Le produit a été utilisé dans un but commercial, professionnel, ou a été loué;
- ◆ Le produit a été mal utilisé ou utilisé avec négligence;
- ◆ Le produit a subi des dommages à cause d'objets étrangers, de substances ou à cause d'accidents;
- ◆ Des réparations ont été tentées par des techniciens ne faisant pas partie du service technique de Black & Decker.

Pour avoir recours à la garantie, il est nécessaire de fournir une preuve d'achat au vendeur ou à un réparateur agréé. Pour connaître l'adresse du réparateur agréé le plus proche de chez vous, contactez le bureau Black & Decker à l'adresse indiquée dans ce manuel. Vous pourrez aussi trouver une liste de réparateurs agréés de Black & Decker et de plus amples détails sur notre service après-vente sur le site Internet à l'adresse suivante : www.2helpU.com

Visitez notre site Web www.blackanddecker.co.uk pour enregistrer votre nouveau produit Black & Decker et être informé des nouveaux produits et des offres spéciales. **Pour plus d'informations concernant la marque Black & Decker et notre gamme de produits, consultez notre site www.blackanddecker.co.uk**

Uso previsto

L'avvitatore/trapano senza fili Black & Decker è stato progettato per avvitare e per trapanare legno, metallo e plastica. L'elettrotensile è stato progettato solo per uso privato.

Istruzioni di sicurezza

Avvisi di sicurezza generici per gli elettrotensili



Attenzione! Leggere tutti gli avvisi di sicurezza e tutte le istruzioni. La mancata osservazione dei presenti avvisi e istruzioni potrebbe causare scosse elettriche, incendi e/o infortuni gravi.

Conservare tutte le istruzioni e le avvertenze per futura consultazione. Il termine "elettrotensile" che ricorre in tutti gli avvisi seguenti si riferisce ad utensili elettrici con o senza filo.

1. Sicurezza nella zona di lavoro

- a. **Mantenere pulita e bene illuminata l'area di lavoro.** Il disordine o la scarsa illuminazione possono causare incidenti.
- b. **Evitare d'impiegare gli elettrotensili in ambienti esposti al rischio di esplosione, ad esempio in presenza di liquidi, gas o polveri infiammabili.** Gli elettrotensili producono scintille che possono far infiammare la polvere o i fumi.
- c. **Mantenere lontani bambini e osservatori mentre si usa l'elettrotensile.** Eventuali distrazioni possono comportare la perdita del controllo dell'elettrotensile.

2. Sicurezza elettrica

- a. **Le spine elettriche degli elettrotensili devono essere adatte alla presa. Evitare assolutamente di modificare la spina elettrica.** Non usare adattatori con elettrotensili provvisti di messa a terra. L'uso di spine inalterate e delle prese corrispondenti riduce il rischio di scosse elettriche.
- b. **Evitare il contatto fisico con superfici collegate a terra, come tubi, radiatori, forni e frigoriferi.** Un corpo collegato a terra è esposto maggiormente al rischio di scosse elettriche.
- c. **Custodire gli elettrotensili al riparo dalla pioggia o dall'umidità.** L'eventuale infiltrazione di acqua in un elettrotensile va ad aumentare il rischio di scosse elettriche.
- d. **Non utilizzare il cavo in modo improprio. Non usare il cavo per trasportare o trainare l'elettrotensile e non tirarlo per estrarre la spina dalla presa di corrente.** Mantenere il cavo al riparo da calore, olio, bordi

taglienti e/o da parti in movimento. I cavi danneggiati o aggrovigliati aumentano il rischio di scosse elettriche.

- e. **Se l'elettrotensile viene adoperato all'aperto, usare esclusivamente prolunghe omologate per l'impiego all'esterno.** Un cavo adatto per uso esterno riduce il rischio di scosse elettriche.
 - f. **Se non è possibile evitare di lavorare in una zona umida, usare un'alimentazione elettrica protetta da un dispositivo a corrente residua (RCD).** L'uso di un dispositivo RCD riduce il rischio di scosse elettriche.
3. Sicurezza delle persone
 - a. **È importante concentrarsi su ciò che si sta facendo e maneggiare con giudizio l'elettrotensile. Non adoperare l'elettrotensile se si è stanchi o sotto l'effetto di stupefacenti, alcol o medicinali.** Un attimo di distrazione durante l'uso dell'elettrotensile può causare gravi infortuni personali.
 - b. **Utilizzare un equipaggiamento di protezione personale. Indossare sempre occhiali di sicurezza.** Se si avrà cura d'indossare l'equipaggiamento protettivo necessario, ad esempio una maschera antipolvere, delle calzature antiscivolo, un casco o delle otoprotezioni, si ridurrà il rischio di infortuni.
 - c. **Impedire l'avviamento involontario. Accertarsi che l'interruttore di accensione sia spento prima di collegare l'elettrotensile all'alimentazione elettrica e/o al battery pack, di prenderlo in mano o di trasportarlo.** Per non esporsi al rischio di incidenti, non trasportare gli elettrotensili tenendo le dita sull'interruttore oppure, se sono collegati a un'alimentazione elettrica, con l'interruttore acceso.
 - d. **Prima di accendere un elettrotensile, togliere eventuali chiavi o attrezzi di regolazione.** Un attrezzo o una chiave lasciati in un componente mobile dell'elettrotensile possono causare infortuni.
 - e. **Non piegarsi eccessivamente in avanti. Mantenere sempre un buon equilibrio evitando posizioni instabili.** In questo modo è possibile controllare meglio l'elettrotensile in situazioni inaspettate.
 - f. **Vestirsi adeguatamente. Evitare di indossare indumenti larghi o gioielli. Tenere capelli, capi di vestiario e guanti lontani da parti in movimento.** Indumenti larghi, gioielli o capelli lunghi possono impigliarsi nelle parti in movimento.
 - g. **Se gli elettrotensili sono provvisti di attacchi per il collegamento di dispositivi di aspirazione o di raccolta della polvere, assicurarsi che questi siano installati e utilizzati correttamente.** L'impiego di dispositivi di raccolta della polvere diminuisce i rischi relativi alle polveri.

4. **Uso e cura degli elettroutensili**
- a. **Non sovraccaricare l'elettroutensile. Usare l'elettroutensile adatto al lavoro da eseguire.**
Utilizzando l'elettroutensile adatto si potrà lavorare meglio e con maggiore sicurezza alla potenza nominale prevista.
- b. **Non utilizzare elettroutensili con interruttori difettosi.**
Un elettroutensile che non può essere controllato mediante l'interruttore è pericoloso e deve essere riparato.
- c. **Scollegare la spina dalla presa di corrente e/o il battery pack dall'elettroutensile prima di regolarlo, di sostituire gli accessori o di riporlo.** Queste precauzioni di sicurezza riducono la possibilità che l'elettroutensile sia messo in funzione inavvertitamente.
- d. **Quando non sono usati, gli elettroutensili devono essere custoditi fuori della portata dei bambini. Non consentire l'uso dell'elettroutensile a persone inesperte o che non abbiano letto le presenti istruzioni.** Gli elettroutensili risultano pericolosi se usati da persone inesperte.
- e. **Sottoporre gli elettroutensili alle necessarie procedure di manutenzione. Verificare che le parti mobili siano bene allineate e non inceppate, che non vi siano componenti rotti e che non sussistano altre condizioni che possono compromettere il funzionamento dell'elettroutensile. In caso di danni, riparare l'elettroutensile prima dell'uso.** La scarsa manutenzione causa molti incidenti.
- f. **Mantenere affilati e puliti gli utensili da taglio.** Se sottoposti alla giusta manutenzione, gli strumenti da taglio con taglienti affilati s'inceppano meno frequentemente e sono più facili da manovrare.
- g. **Utilizzare l'elettroutensile, gli accessori e le punte in conformità delle presenti istruzioni, tenendo conto delle condizioni di lavoro e del lavoro da completare.** L'impiego degli elettroutensili per usi diversi da quelli consentiti può dar luogo a situazioni pericolose.
5. **Uso e cura degli elettroutensili a batteria**
- a. **Ricaricare solo usando l'alimentatore prescritto dal fabbricante.** Un alimentatore idoneo a un determinato battery pack potrebbe essere causa di incendio se usato con un battery pack diverso.
- b. **Usare gli elettroutensili con gli appositi battery pack.** L'impiego di battery pack di altro tipo potrebbe creare il rischio di lesioni e di incendi.
- c. **Quando il battery pack non viene usato, tenerlo lontano da altri oggetti metallici tipo graffette, monete, chiavi, chiodi, viti o altri oggetti metallici di piccole dimensioni, che potrebbero cortocircuitare un morsetto con l'altro.** Se i morsetti della batteria vengono cortocircuitati si potrebbero causare ustioni o un incendio.
- d. **A seguito di un uso improprio, la batteria potrebbe espellere del liquido; evitare ogni contatto. In caso di**

contatto accidentale, lavare con acqua. Se il liquido viene a contatto degli occhi, rivolgersi anche a un medico. Il liquido espulso dalla batteria potrebbe causare irritazioni o ustioni.

6. Riparazioni

- a. **Fare riparare l'elettroutensile solo ed esclusivamente da personale specializzato e solo impiegando pezzi di ricambio originali, onde non alterarne la sicurezza.**

Altri avvisi di sicurezza per gli elettroutensili



Attenzione! Addizionali avvisi di sicurezza per i trapani normali e quelli a percussione

- ◆ **Indossare otoprotezioni quando si usano i trapani a percussione.** L'esposizione al rumore può causare la perdita dell'udito.
- ◆ **Usare le impugnature ausiliarie fornite con l'elettroutensile.** La perdita di controllo può causare lesioni personali.
- ◆ **Tenere l'elettroutensile afferrando le impugnature isolate se vi è la possibilità che la punta del trapano/punta del cacciavite possano venire a contatto di cavi nascosti o del filo di alimentazione.** Il contatto tra la punta del trapano/punta del cacciate e un filo sotto tensione mette sotto tensione le parti metalliche esposte dell'elettroutensile e potrebbe esporre l'operatore a scosse elettriche.
- ◆ **Usare morsetti o altri metodi pratici per fissare e sorreggere il pezzo in lavorazione su una base stabile.** Un pezzo tenuto in mano o contro il corpo, può diventare poco stabile e causare la perdita di controllo.
- ◆ **Prima di trapanare pareti, pavimenti o soffitti, controllare l'ubicazione di fili e tubazioni.**
- ◆ **Evitare di toccare la punta di una punta del trapano subito dopo la trapanatura, dato che potrebbe essere calda.**
- ◆ **Questo elettroutensile non è stato progettato per impiego da parte di persone (o bambini) portatrici di handicap fisici, psichici o sensoriali o che non abbiano la dovuta esperienza o conoscenza, a meno che non siano seguite o opportunamente istruite sul suo impiego da parte di una persona responsabile della loro sicurezza. Controllare che i bambini non giochino con l'elettroutensile.**
- ◆ **L'uso previsto è descritto nel presente manuale d'uso.** Se questo elettroutensile viene usato con accessori o per usi diversi da quelli raccomandati nel presente manuale d'uso, si potrebbero verificare lesioni personali e/o danni alle cose.

Sicurezza altrui

- ◆ **Questo elettroutensile non è stato progettato per impiego da parte di persone (o bambini) portatrici di handicap fisici,**

psichici o sensoriali o che non abbiano la dovuta esperienza o conoscenza, a meno che non siano seguite opportunamente istruite sul suo impiego da parte di una persona responsabile della loro sicurezza.

- ◆ Controllare che i bambini non giochino con l'elettrotensile.

Rischi residui.

Quando si usa l'elettrotensile, possono esservi altri rischi residui che possono non essere stati contemplati negli avvisi di sicurezza allegati. Tali rischi possono sorgere a seguito di un uso prolungato o improprio, ecc.

Perfino adottando gli appositi regolamenti di sicurezza e utilizzando i dispositivi di sicurezza, certi rischi residui non possono essere evitati. Essi comprendono:

- ◆ Lesioni causate o subite a seguito del contatto con parti rotanti/in movimento.
- ◆ Lesioni causate o subite durante la sostituzione di parti, lame o accessori.
- ◆ Lesioni causate dall'impiego prolungato di un elettrotensile. Quando si usa qualsiasi elettrotensile per lunghi periodi, accertarsi di fare regolarmente delle pause.
- ◆ Problemi di udito.
- ◆ Rischi per la salute causati dall'aspirazione di polvere generata dall'utilizzo dell'elettrotensile (ad esempio quando si lavora con il legno, in modo particolare quello di quercia, faggio o l'MDF.)

Vibrazioni

I valori dichiarati delle emissioni di vibrazioni al paragrafo Dati tecnici e nella Dichiarazione di conformità del presente manuale sono stati misurati in base al metodo di test standard previsto dalla normativa EN 60745 e possono essere usati come parametri di confronto tra due utensili. Il valore delle emissioni di vibrazioni dichiarato può anche essere usato come valutazione preliminare dell'esposizione.

Attenzione! Il valore delle emissioni di vibrazioni durante l'impiego effettivo dell'elettrotensile può variare da quello dichiarato a seconda delle modalità d'uso. Il livello delle vibrazioni può aumentare oltre quello dichiarato.

Quando si valuta l'esposizione alle vibrazioni per determinare le misure di sicurezza richieste, in conformità alla normativa 2002/44/CE e destinata alla protezione delle persone che usano regolarmente gli elettrotensili nello svolgimento delle proprie mansioni, è necessario prendere in considerazione le condizioni effettive di utilizzo e il modo in cui l'utensile è usato, oltre a tenere in conto tutte le componenti del ciclo operativo, vale a dire i periodi in cui l'elettrotensile è spento, quelli in cui è acceso, ma a riposo e quelli in cui è effettivamente utilizzato.

Etichette sull'elettrotensile

Sull'elettrotensile appaiono i seguenti simboli:



Attenzione! Per ridurre il rischio di infortuni, l'utente deve leggere il manuale d'uso.

Istruzioni di sicurezza aggiuntive per batterie e alimentatori

Batterie

- ◆ Non tentare di aprirle per qualsiasi ragione.
- ◆ Non lasciare che la batteria si bagni.
- ◆ Non riporre in luoghi dove la temperatura potrebbe superare i 30 °C.
- ◆ Caricare solo a temperature ambiente tra 4 °C e 40 °C.
- ◆ Caricare solo usando l'alimentatore fornito con l'apparecchio.
- ◆ Quando si smaltiscono le batterie, seguire le istruzioni riportate al capitolo "Protezione dell'ambiente".

Non tentare di caricare delle batterie danneggiate.



Alimentatori

- ◆ Usare l'alimentatore Black & Decker solo per caricare la batteria nell'apparecchio con il quale è stato fornito. Altre batterie potrebbero scoppiare causando lesioni alle persone e danni.
- ◆ Non tentare mai di ricaricare batterie non ricaricabili.
- ◆ Fare sostituire immediatamente i fili di alimentazione difettosi.
- ◆ Non lasciare che l'alimentatore si bagni.
- ◆ Non aprire l'alimentatore.
- ◆ Non collegare l'alimentatore a sonde.



L'alimentatore può solo essere usato all'interno.



Leggere il presente manuale d'uso prima dell'impiego.

Sicurezza elettrica



Il doppio isolamento di cui è provvisto l'alimentatore rende superfluo il filo di terra. Controllare sempre che la tensione di rete corrisponda alla tensione indicata sulla targhetta dei dati tecnici. Non tentare mai di sostituire l'alimentatore con una normale spina elettrica.

- ◆ In caso di danneggiamento del filo di alimentazione, è necessario farlo riparare dal fabbricante o presso un

centro assistenza Black & Decker autorizzato in modo da evitare eventuali pericoli.

Caratteristiche

Questo elettrotensile presenta alcune o tutte le seguenti caratteristiche.

1. Interruttore a velocità variabile
2. Cursore avanti/indietro
3. Mandrino
4. Collare di regolazione coppia
5. Batteria
6. Portapunta

Fig. A

7. Alimentatore
8. Indicatore di carica

Montaggio

Attenzione! Prima dell'assemblaggio, estrarre la batteria dall'elettrotensile.

Montaggio e rimozione della batteria (fig. B)

- ◆ Per montare la batteria(5), allinearla all'apposito vano sull'elettrotensile. Infilare la batteria nell'apposito vano e calzarla fino a quando si aggancia in sede.
- ◆ Per estrarre la batteria, premere il pulsante di rilascio (12) estraendo al tempo stesso la batteria dall'apposito vano.

Montaggio e rimozione di una punta da trapano o di cacciavite (fig. D)

Questo elettrotensile è dotato di mandrino senza chiave che consente di sostituire facilmente le punte.

- ◆ Bloccare l'elettrotensile regolando il cursore avanti/indietro (2) sulla posizione centrale.
- ◆ Aprire il mandrino ruotandolo (3) con una mano mentre si tiene l'elettrotensile con l'altra.
- ◆ Inserire il codolo della punta (13) nel mandrino.
- ◆ Serrare saldamente il mandrino ruotandolo (3) con una mano mentre si tiene l'elettrotensile con l'altra.

Utilizzo

Attenzione! Lasciare che l'elettrotensile funzioni al suo ritmo. Non sovraccaricarlo.

Carica della batteria (fig. A)

La batteria deve essere caricata prima dell'impiego iniziale e quando non eroga una potenza sufficiente per lavori che prima era possibile eseguire facilmente. Durante la carica la batteria potrebbe riscaldarsi. Si tratta di un fatto normale che non indica che vi è un problema.

Attenzione! Non caricare la batteria a temperature ambiente inferiori a 4 °C o superiori a 40 °C. Temperatura di carica consigliata: 24 °C circa.

Nota: L'alimentatore non carica un battery pack se la temperatura della cella è inferiore a 0 °C o superiore a 40 °C.

Il battery pack deve essere lasciato nell'alimentatore che incomincerà a ricaricare automaticamente quando la temperatura della cella aumenta o diminuisce.

- ◆ Per caricare la batteria (5), inserirla nell'alimentatore (9). La batteria può essere inserita nell'alimentatore solo in un verso. Non forzarla. Accertarsi che la batteria sia completamente insediata nell'alimentatore.
- ◆ Collegare l'alimentatore alla presa di corrente. L'indicatore di carica (10) lampeggia di continuo in verde (lentamente).

La carica è completa quando l'indicatore di carica (10) rimane acceso di continuo in verde. L'alimentatore e la batteria possono essere lasciati collegati indefinitamente con il LED acceso. Il LED passa al lampeggio verde (carica in corso) quando l'alimentatore di tanto in tanto rabbocca la carica della batteria. L'indicatore di carica (10) si accende se la batteria è inserita nell'alimentatore collegato a una presa elettrica.

- ◆ Caricare le batterie esauste entro 1 settimana. La durata delle batterie diminuisce parecchio se sono conservate scariche.

Batteria lasciata nell'alimentatore

L'alimentatore e il battery pack possono essere lasciati collegati con il LED sempre acceso. L'alimentatore manterrà il battery pack come nuovo e completamente carico.

Diagnostica dell'alimentatore

Se l'alimentatore rileva che la batteria è debole o danneggiata, fa lampeggiare velocemente in rosso l'indicatore di carica (10). Procedere come descritto di seguito:

- ◆ Inserire di nuovo la batteria (5).
- ◆ Se gli indicatori di carica continuano a lampeggiare in rosso a un ritmo veloce, usare una batteria diversa per determinare se il ciclo di carica funziona correttamente.
- ◆ Se la batteria di ricambio si carica correttamente, significa che quella originale è difettosa e che deve essere rispedita a un centro di assistenza per essere riciclata.
- ◆ Se anche con la nuova batteria si ottengono i medesimi risultati dati da quella vecchia, portare l'alimentatore presso un centro di assistenza autorizzato per essere sottoposto a controllo.

Nota: Ci possono volere anche 60 minuti per determinare se la batteria è difettosa. Se il battery pack è troppo caldo o troppo freddo, il LED lampeggia alternamente in rosso a un ritmo veloce e lento con un lampeggio veloce e uno lento ripetuti nel tempo.

Selezione della direzione di rotazione (fig. E)

Per la trapanatura e per l'avvitatura usare la rotazione in avanti (senso orario). Per allentare le viti o per rimuovere punte da trapano incastrate, usare la rotazione indietro (senso antiorario).

- ◆ Per selezionare la rotazione in avanti, spingere il cursore avanti/indietro (2) verso sinistra.
- ◆ Per selezionare la rotazione indietro, spingere il cursore avanti/indietro verso destra.
- ◆ Per bloccare l'elettrotensile, regolare il cursore avanti/indietro sulla posizione centrale.

Selezione della coppia

Questo elettrotensile è dotato di collare esclusivo per tarare la coppia per le varie applicazioni di avvitatura e di trapanatura. Le viti di grandi dimensioni e i pezzi in materiale più duro richiedono una coppia maggiore delle viti più piccole e dei pezzi in materiale più tenero. Per la definizione dei simboli, consultare l'elenco qui sotto.

- ◆ Per trapanare legno, metallo e plastica, regolare il collare di regolazione della coppia (4) sul simbolo **1**.
- ◆ Per l'avvitatura, regolarlo sulla taratura desiderata. Se non si sa ancora quale taratura usare, procedere come descritto di seguito:
 - Regolare il collare di regolazione della coppia (4) sulla taratura della coppia più bassa.
 - Serrare la prima vite.
 - Se la frizione scatta prima di aver ottenuto il risultato desiderato, aumentare la taratura del collare e continuare ad avvitare la vite. Ripetere fino a ottenere la taratura corretta. Usare questa taratura per le viti rimanenti.

Avvitatura/trapanatura

- ◆ Selezionare la rotazione avanti o indietro usando il cursore avanti/indietro (2).
- ◆ Per accendere l'elettrotensile, premere l'interruttore di accensione (1). La velocità dell'elettrotensile dipende dal tipo di pressione esercitata sull'interruttore.
- ◆ Per spegnere l'elettrotensile, rilasciare l'interruttore.

Consigli per un utilizzo ottimale

Trapanatura

- ◆ Esercitare sempre una pressione leggera in linea retta con la punta da trapano.
- ◆ Appena prima che la punta esca dal lato opposto del pezzo in lavorazione, diminuire la pressione sull'elettrotensile.
- ◆ Usare un blocchetto di legno per rinforzare i pezzi che potrebbero scheggiarsi.

- ◆ Usare punte a lancia quando si trapano fori di grandi dimensioni nel legno.
- ◆ Usare punte da trapano in acciaio super rapido (HSS) quando si trapano il metallo.
- ◆ Usare punte da trapano per muratura quando si trapano murature.
- ◆ Usare un lubrificante quando si trapano metalli ad eccezione della ghisa e dell'ottone.
- ◆ Praticare una tacca con un punteruolo al centro del foro da trapanare per migliorare la precisione.

Avvitatura

- ◆ Usare sempre la punta di cacciavite di tipo e misura corretti.
- ◆ Se le viti sono dure da avvitare, versare una piccola quantità di detersivo o sapone per lubrificarle.
- ◆ Tenere sempre l'elettrotensile e la punta del cacciavite in posizione perpendicolare rispetto alla vite.

Manutenzione

Questo elettrotensile Black & Decker è stato progettato per funzionare a lungo con una manutenzione minima. Per ottenere prestazioni sempre soddisfacenti occorre avere cura dell'elettrotensile e sottoporlo a manutenzione periodica.

L'alimentatore non richiede nessuna manutenzione salvo una regolare pulitura.

Attenzione! Prima di eseguire interventi di manutenzione sull'elettrotensile, estrarre la batteria. Scollegare l'alimentatore dalla spina prima di pulirlo.

- ◆ Pulire regolarmente le prese di ventilazione dell'elettrotensile e dell'alimentatore con un pennello o con un panno morbido e asciutto.
- ◆ Il vano del motore deve essere pulito regolarmente con un panno umido. Non usare materiali abrasivi o detersivi a base di solventi.
- ◆ Aprire regolarmente il mandrino e batterlo leggermente per eliminare la polvere dall'interno.

Protezione dell'ambiente



Raccolta differenziata. Questo prodotto non deve essere smaltito con i normali rifiuti domestici.

Nel caso in cui l'elettrotensile Black & Decker debba essere sostituito o non sia più necessario, non smaltirlo con i normali rifiuti domestici. Metterlo da parte per la raccolta differenziata.



La raccolta differenziata dei prodotti e degli imballaggi utilizzati consente il riciclaggio dei materiali e il loro continuo utilizzo.

Il riutilizzo dei materiali riciclati favorisce la protezione dell'ambiente prevenendo l'inquinamento e riduce il fabbisogno di materie prime.

Seguire la regolamentazione locale per la raccolta differenziata dei prodotti elettrici che può prevedere punti di raccolta o la consegna dell'elettrotensile al rivenditore presso il quale viene acquistato un nuovo prodotto.

Black & Decker offre ai propri clienti la possibilità di riciclare i prodotti Black & Decker che hanno esaurito la loro vita di servizio. Per usufruire di tale servizio, è sufficiente restituire il prodotto a qualsiasi tecnico autorizzato, incaricato della raccolta per conto dell'azienda.

Per individuare il tecnico autorizzato più vicino, rivolgersi alla sede Black & Decker locale, presso il recapito indicato nel presente manuale. Altrimenti, un elenco completo di tutti i tecnici autorizzati Black & Decker e i dettagli completi sui contatti e i servizi post-vendita sono disponibili su Internet all'indirizzo: www.2helpU.com

Batterie



Scaricare completamente la batteria e toglierla dall'elettrotensile.

- ◆ Le batterie NiCd, NiMH e al litio-ioni sono riciclabili. Portarle presso un tecnico autorizzato o il centro di riciclaggio di zona.

Dati tecnici

		EPL14 (H1)	EPL18 (H1)
Tensione	V_{cc}	14,4	18
Regime a vuoto	Min^1	0-750	0-750
Coppia max.	Nm	11/21	11/21
Capacità mandrino	mm	10	10
Capacità di trapanatura max.			
Acciaio/legno	mm	10/25	10/25

Alimentatore		905531** tipo 1	
Tensione in ingresso	V_{cc}	230	
Tensione erogata	V_{cc}	16.4 / 20.5	
Corrente	mA	200	
Tempo di carica approssimativo	h	5 - 7	

Batteria		BL1114	BL1314	BL1514
Tensione	V_{cc}	14,4	14,4	14,4
Capacità	A/h	1,1	1,3	1,5
Tipo		Litio-Ionio	Litio-ioni	Litio-Ionio

Batteria		BL1118	BL1318	BL1518
Tensione	V_{cc}	18	18	18
Capacità	A/h	1,1	1,3	1,5
Tipo		Litio-Ionio	Litio-Ionio	Litio-Ionio

Livello di pressione sonora misurato in base a EN 60745:

Pressione sonora (L_{pA}) 87,5 dB(A), incertezza (K) 3 dB(A)

Potenza acustica (L_{pA}) 98,5 dB(A), incertezza (K) 3 dB(A)

Valori totali vibrazioni (somma vettoriale triassiale) in base a EN 60745:

Trapanatura nel metallo ($a_{h,v}$) <2,5 m/s², incertezza (K) 1,5 m/s²

Avvitatura senza percussione ($a_{h,v}$) <2,5 m/s², incertezza (K) 1,5 m/s²

Dichiarazione di conformità CE

DIRETTIVA SUI MACCHINARI



EPL14 / EPL18

Black & Decker dichiara che questi prodotti descritti al paragrafo "Dati tecnici" sono conformi a:
2006/42/EC, EN 60745-1, EN 60745-2-1

Per ulteriori informazioni, rivolgersi a Black & Decker al seguente indirizzo oppure consultare l'ultima di copertina del manuale.

Il sottoscritto è responsabile della redazione di questo documento tecnico e rilascia questa dichiarazione per conto di Black&Decker.

Kevin Hewitt
Vice-President Global Engineering
Black & Decker Europe, 210 Bath Road, Slough,
Berkshire, SL1 3YD
Regno Unito
10/03/2010

Garanzia

Certa della qualità dei suoi prodotti, Black & Decker offre una **garanzia eccezionale**. Il presente certificato di garanzia è complementare ai diritti legali e non li pregiudica in alcun modo. La garanzia è valida entro il territorio degli Stati membri dell'Unione Europea e dell'EFTA (European Free Trade Area).

Se un prodotto Black & Decker risulta difettoso per qualità del materiale, della costruzione o per mancata conformità entro 24 mesi dalla data di acquisto, Black & Decker garantisce la sostituzione delle parti difettose, provvede alla riparazione dei prodotti se ragionevolmente usurati oppure alla loro sostituzione, in modo da ridurre al minimo il disagio del cliente a meno che:

- ◆ il prodotto non sia stato destinato a usi commerciali, professionali o al noleggio;
- ◆ il prodotto non sia stato usato in modo improprio o scorretto;
- ◆ il prodotto non abbia subito danni causati da oggetti o sostanze estranee oppure incidenti;
- ◆ il prodotto non abbia subito tentativi di riparazione non effettuati da tecnici autorizzati né dall'assistenza Black & Decker.

Per attivare la garanzia è necessario esibire la prova di acquisto al venditore o al tecnico autorizzato. Per individuare il tecnico autorizzato più vicino, rivolgersi alla sede Black & Decker locale, presso il recapito indicato nel presente manuale. Altrimenti, un elenco completo di tutti i tecnici autorizzati Black & Decker e i dettagli completi sui contatti e i servizi post-vendita sono disponibili su Internet all'indirizzo: www.2helpU.com

I clienti che desiderano registrare il nuovo prodotto Black & Decker e ricevere gli aggiornamenti sui nuovi prodotti e le offerte speciali, sono invitati a visitare il sito Web (www.blackanddecker.it). **Ulteriori informazioni sul marchio e la gamma di prodotti Black & Decker sono disponibili all'indirizzo www.blackanddecker.it.**

Beoogd gebruik

Uw boormachine/schroevendraaier van Black & Decker is ontworpen voor het boren in hout, metaal en kunststof, maar kan ook als schroevendraaier worden gebruikt. Dit gereedschap is uitsluitend bestemd voor consumentengebruik.

Veiligheidsinstructies

Algemene veiligheidswaarschuwingen voor elektrisch gereedschap



Waarschuwing! Lees alle veiligheidswaarschuwingen en alle instructies. Wanneer de volgende waarschuwingen en voorschriften niet in acht worden genomen, kan dit een elektrische schok, brand of ernstig letsel tot gevolg hebben.

Bewaar alle waarschuwingen en instructies als referentiemateriaal. Het hierna gebruikte begrip 'elektrisch gereedschap' heeft betrekking op elektrische gereedschappen voor gebruik op de netspanning (met netsnoer) of op een accu (snoerloos).

1. Veilige werkomgeving

- Houd uw werkomgeving schoon en opgeruimd. Een rommelige of slecht verlichte werkomgeving kan tot ongevallen leiden.
- Gebruik elektrisch gereedschap niet in een omgeving met explosiegevaar, zoals in de nabijheid van brandbare vloeistoffen, gassen of stof. Elektrisch gereedschap veroorzaakt vonken die het stof of de dampen tot ontsteking kunnen brengen.
- Houd kinderen en andere personen tijdens het gebruik van elektrisch gereedschap uit de buurt. Wanneer u wordt afgeleid, kunt u de controle over het gereedschap verliezen.

2. Elektrische veiligheid

- De netstekker van het gereedschap moet in het stopcontact passen. De stekker mag in geen geval worden omgebouwd. Gebruik geen adapterstekkers in combinatie met geaarde gereedschappen. Niet-omgebouwde stekkers en passende stopcontacten beperken het risico van een elektrische schok.
- Vermijd aanraking van het lichaam met geaarde oppervlakken, bijvoorbeeld buizen, verwarmingen, fornuizen en koelkasten. Er bestaat een verhoogd risico op een elektrische schok wanneer uw lichaam geaard is.
- Houd het gereedschap uit de buurt van regen en vocht. Het binnendringen van water in het elektrische gereedschap vergroot het risico van een elektrische

schok.

- Gebruik het snoer niet voor een verkeerd doel.
 - Gebruik het snoer niet om het gereedschap te dragen of op te hangen of om de stekker uit het stopcontact te trekken. Houd het snoer uit de buurt van hitte, olie, scherpe randen of bewegende delen. Beschadigde of in de war geraakte snoeren vergroten het risico van een elektrische schok.
 - Wanneer u buitenshuis met elektrisch gereedschap werkt, dient u alleen verlengsnoeren te gebruiken die zijn goedgekeurd voor gebruik buitenshuis. Het gebruik van een verlengsnoer dat geschikt is voor gebruik buitenshuis, beperkt het risico van een elektrische schok.
 - Als u een elektrisch gereedschap moet gebruiken in een vochtige locatie, moet u een reststromschakelaar (RCD) gebruiken. Met een aardlekschakelaar wordt het risico van een elektrische schok verkleind.
- #### 3. Veiligheid van personen
- Wees alert, let goed op wat u doet en ga met verstand te werk bij het gebruik van elektrische gereedschappen. Gebruik elektrisch gereedschap niet wanneer u moe bent of onder invloed van drugs, alcohol of medicijnen. Een moment van onoplettendheid bij het gebruik van het gereedschap kan leiden tot ernstige verwondingen.
 - Draag een persoonlijke beschermende uitrusting. Draag altijd een veiligheidsbril. Het dragen van een persoonlijke beschermende uitrusting zoals een stofmasker, slipvaste werkschoenen, een veiligheidshelm of gehoorbescherming, afhankelijk van de aard en het gebruik van het elektrische gereedschap, vermindert het risico van verwondingen.
 - Voorkom per ongeluk inschakelen. Controleer of de schakelaar in de uit-stand staat voordat u het gereedschap aansluit op het stopcontact en/of de accu en voordat u het gereedschap optilt of gaat dragen. Wanneer u bij het dragen van het gereedschap uw vinger op de schakelaar houdt of wanneer u het gereedschap per ongeluk inschakelt, kan dat leiden tot ongevallen.
 - Verwijder instelgereedschappen of schroefsleutels voordat u het gereedschap inschakelt. Een instelgereedschap of sleutel in een draaiend deel van het gereedschap kan tot verwondingen leiden.
 - Reik niet te ver. Zorg er altijd voor dat u stevig staat en in evenwicht blijft. Daardoor kunt u het gereedschap in onverwachte situaties beter onder controle houden.
 - Draag geschikte kleding. Draag geen loshangende kleding of sieraden. Houd haren, kleding en handschoenen uit de buurt van bewegende delen. Loshangende kleding, sieraden en lange haren kunnen

door bewegende delen worden meegenomen.

- g. **Wanneer stofafzuigings- of stofopvangvoorzieningen kunnen worden gemonteerd, dient u zich ervan te verzekeren dat deze zijn aangesloten en juist worden gebruikt.** Het gebruik van stofopvangvoorzieningen beperkt het gevaar door stof.

4. **Gebruik en onderhoud van elektrisch gereedschap**

- a. **Overbelast het gereedschap niet. Gebruik het geschikte elektrische gereedschap voor uw toepassing.** Met het geschikte elektrische gereedschap werkt u beter en veiliger binnen het aangegeven capaciteitsbereik.
- b. **Gebruik geen elektrisch gereedschap waarvan de schakelaar defect is.** Elektrisch gereedschap dat niet meer kan worden in- of uitgeschakeld, is gevaarlijk en moet worden gerepareerd.
- c. **Trek de stekker uit het stopcontact en/of verwijder de accu uit het elektrisch gereedschap voordat u het gereedschap instelt, toebehoren wisselt of het gereedschap opbergt.** Met deze voorzorgsmaatregel voorkomt u onbedoeld starten van het gereedschap.
- d. **Bewaar niet-gebruikte elektrische gereedschappen buiten bereik van kinderen. Laat het gereedschap niet gebruiken door personen die er niet vertrouwd mee zijn en deze aanwijzingen niet hebben gelezen.** Elektrische gereedschappen zijn gevaarlijk wanneer deze door onervaren personen worden gebruikt.
- e. **Verzorg het gereedschap zorgvuldig. Controleer of bewegende delen van het gereedschap correct functioneren en niet klemmen, en of er onderdelen zodanig zijn gebroken of beschadigd dat de werking van het gereedschap nadelig wordt beïnvloed. Laat beschadigde delen repareren voordat u het gereedschap gebruikt.** Veel ongevallen worden veroorzaakt door slecht onderhouden elektrische gereedschappen.
- f. **Houd snijdende inzetgereedschappen scherp en schoon.** Zorgvuldig onderhouden snijdende inzetgereedschappen met scherpe snijkanten klemmen minder snel vast en zijn gemakkelijker te geleiden.
- g. **Gebruik elektrische gereedschappen, toebehoren, inzetgereedschappen en dergelijke volgens deze aanwijzingen. Let daarbij op de arbeidsomstandigheden en de uit te voeren werkzaamheden.** Het gebruik van elektrische gereedschappen voor andere dan de voorziene toepassingen kan leiden tot gevaarlijke situaties.

5. **Gebruik en onderhoud van snoerloos elektrisch gereedschap**

- a. **Laad accu's alleen op met de door de fabrikant aanbevolen lader.** Een lader die geschikt is voor een

bepaald type accu, kan brandgevaar opleveren wanneer deze in combinatie met andere accu's wordt gebruikt.

- b. **Gebruik elektrisch gereedschap alleen in combinatie met specifiek vermelde accu's.** Het gebruik van andere batterijen kan gevaar voor letsel en brand opleveren.
- c. **Houd accu's die niet worden gebruikt uit de buurt van andere metalen voorwerpen, zoals paperclips, munten, spijkers, schroeven of andere kleine metalen voorwerpen die een verbinding van de ene pool naar de andere tot stand kunnen brengen.** Als kortsluiting tussen de polen van de accu's wordt gemaakt, kunnen brandwonden of brand worden veroorzaakt.
- d. **Onder extreme omstandigheden kan er vloeistof uit de accu spuiten. Vermijd contact. Indien onbedoeld contact plaatsvindt, spoelt u met water. Als vloeistof in aanraking komt met ogen, raadpleegt u bovendien uw huisarts.** Vloeistof die uit de accu spuit, kan irritatie of brandwonden veroorzaken.

6. **Service**

- a. **Laat het gereedschap alleen repareren door gekwalificeerd en vakkundig personeel en alleen met originele vervangingsonderdelen.** Daarmee wordt de veiligheid van het gereedschap gewaarborgd.

Aanvullende veiligheidswaarschuwingen voor elektrisch gereedschap



Waarschuwing! Aanvullende veiligheidswaarschuwingen voor boormachines en slagboormachines

- ◆ **Draag gehoorbeschermers bij gebruik als slagboor.** Door het geluid van het gereedschap kan uw gehoor worden beschadigd.
- ◆ **Gebruik de extra handgrepen die bij het gereedschap worden geleverd.** Als u de controle over het gereedschap verliest, kan dat letsel veroorzaken.
- ◆ **Houd het gereedschap vast bij de geïsoleerde greepoppervlakken als u een handeling uitvoert waarbij het snijdende hulpstuk/bevestigingsmateriaal met onzichtbare draden in aanraking kan komen.** Als een draad onder spanning wordt geraakt door het snijdende hulpstuk/bevestigingsmateriaal, komen onbedekte metalen onderdelen van het gereedschap onder spanning te staan en kunt u een elektrische schok krijgen.
- ◆ **Gebruik klemmen of een andere praktische manier om het werkstuk op een stabiel platform vast te zetten en te steunen.** Als u het werkstuk met de hand of tegen uw lichaam vasthoudt, is het niet stabiel en kunt u de controle over het gereedschap verliezen.
- ◆ **Controleer waar zich bedrading en leidingen bevinden**

voordat u in muren, vloeren of plafonds boort.

- ◆ Raak de punt van een boor niet meteen na het boren aan. Dit kan heet zijn.
- ◆ Dit gereedschap mag niet worden gebruikt door personen (waaronder kinderen) die lichamelijk of geestelijk mindervalide zijn of die geen ervaring met of kennis van dit gereedschap hebben, tenzij ze onder toezicht staan of instructies krijgen wat betreft het gebruik van het gereedschap van een persoon die verantwoordelijk is voor hun veiligheid. Houd toezicht op kinderen om ervoor te zorgen dat zij niet met het apparaat gaan spelen.
- ◆ In deze instructiehandleiding wordt ingegaan op het beoogde gebruik. Het gebruik van andere accessoires of hulpstukken dan wel de uitvoering van andere handelingen met dit gereedschap dan in deze gebruikershandleiding worden aanbevolen, kan tot persoonlijk letsel en/of schade aan eigendom leiden.

Veiligheid van anderen

- ◆ Dit apparaat mag niet worden gebruikt door personen (waaronder kinderen) met een lichamelijke of geestelijke beperking of die geen ervaring met of kennis van dit apparaat hebben, tenzij ze onder toezicht staan of instructies krijgen wat betreft het gebruik van het apparaat van een persoon die verantwoordelijk is voor hun veiligheid.
- ◆ Houd toezicht op kinderen om ervoor te zorgen dat zij niet met het apparaat gaan spelen.

Overige risico's

Er kunnen zich tijdens het gebruik van het gereedschap ook andere risico's voordoen, die misschien niet in de bijgevoegde veiligheidswaarschuwingen worden vermeld. Deze risico's kunnen zich voordoen als gevolg van onoordeelkundig gebruik, langdurig gebruik, enz.

Zelfs als de veiligheidsvoorschriften in acht worden genomen en de veiligheidsvoorzieningen worden geïmplementeerd, kunnen bepaalde risico's niet worden vermeden. Deze omvatten:

- ◆ Verwondingen die worden veroorzaakt door het aanraken van draaiende of bewegende onderdelen.
- ◆ Verwondingen die worden veroorzaakt bij het vervangen van onderdelen, bladen of accessoires.
- ◆ Verwondingen die worden veroorzaakt door langdurig gebruik van het gereedschap. Als u langere periodes met het gereedschap werkt, is het raadzaam om regelmatig een pauze in te lassen.
- ◆ Gehoorbeschadiging.
- ◆ Gezondheidsrisico's als gevolg van het inademen van stof dat door gebruik van het gereedschap wordt veroorzaakt (bijvoorbeeld tijdens het werken met hout, vooral eiken, beuken en MDF.)

Trillingen

De aangegeven waarden voor trillingsemmissie in de technische gegevens en de conformiteitsverklaring zijn gemeten conform een standaardtestmethode die door EN 60745 wordt geboden. Hiermee kan het ene gereedschap met het andere worden vergeleken. De aangegeven waarde voor trillingsemmissie kan ook worden gebruikt bij een voorlopige bepaling van blootstelling.

Waarschuwing! De waarde voor trillingsemmissie tijdens het werkelijke gebruik van het gereedschap kan verschillen van de aangegeven waarde afhankelijk van de manieren waarop het gereedschap wordt gebruikt. Het trillingsniveau kan hoger worden dan het aangegeven niveau.

Wanneer de blootstelling aan trillingen wordt vastgesteld teneinde veiligheidsmaatregelen te bepalen die worden vereist door 2002/44/EC ter bescherming van personen die tijdens hun werk regelmatig elektrische gereedschappen gebruiken, moet bij een schatting van de blootstelling aan trillingen rekening worden gehouden met de werkelijke omstandigheden van het gebruik en de manier waarop het gereedschap wordt gebruikt. Daarbij moet ook rekening worden gehouden met alle stappen in de gebruikscyclus, zoals het moment waarop het gereedschap wordt uitgeschakeld en wanneer het gereedschap stationair loopt alsook de aanlooptijd.

Labels op het gereedschap

De volgende symbolen zijn op het apparaat aangegeven:



Waarschuwing! De gebruiker moet de instructiehandleiding lezen om het risico op letsel te verminderen.

Aanvullende veiligheidsinstructies voor accu's en laders

Accu's

- ◆ Probeer accu's niet te openen, om welke reden ook.
- ◆ Stel de accu niet bloot aan water.
- ◆ Bewaar deze niet op locaties met temperaturen van meer dan 30 °C.
- ◆ Laad de accu's alleen op bij een omgevingstemperatuur van 4-40 °C.
- ◆ Gebruik alleen de lader die bij het apparaat is geleverd.
- ◆ Gooi lege accu's weg volgens de instructies in het gedeelte "Milieu".

Laad beschadigde accu's niet op.



Laders

- ◆ Gebruik de lader van Black & Decker alleen voor de accu's in het apparaat waarbij de lader is bijgeleverd. Andere batterijen kunnen exploderen met letsel en materiële schade als gevolg.
- ◆ Niet-laadbare accu's mogen nooit worden opgeladen.
- ◆ Een defect snoer moet direct worden vervangen.
- ◆ Stel de lader niet bloot aan water.
- ◆ Open de lader niet.
- ◆ Prik nooit met een scherp voorwerp in de lader.



De lader is uitsluitend bestemd voor gebruik binnenshuis.



Lees voor gebruik deze gebruikershandleiding.

Elektrische veiligheid



De lader is dubbel geïsoleerd, zodat een aardaansluiting niet nodig is. Controleer altijd of de netspanning overeenkomt met de waarde op het typeplaatje. Probeer de lader nooit te vervangen door een normale netstekker.

- ◆ Als het netsnoer is beschadigd, moet dit worden vervangen door de fabrikant of een Black & Decker-servicecentrum om gevaren te voorkomen.

Onderdelen

Dit gereedschap kan de volgende onderdelen bevatten:

1. Schakelaar met variabele snelheden
2. Schuifknop voor rechtsom/linksom
3. Spanknop
4. Stelring voor aanpassing torsie
5. Accu
6. Bithouder

Montage

Waarschuwing! Verwijder de accu uit het gereedschap voordat u met de montage begint.

De accu plaatsen en verwijderen (fig. B)

- ◆ U plaatst de accu (5) door deze op één lijn te plaatsen met het contragedeelte op het gereedschap. Schuif de accu in het contragedeelte en duw totdat de accu vastklikt.
- ◆ Als u de accu wilt verwijderen, drukt u op de vergrendelingsknop (12) en trekt u tegelijkertijd de accu uit het contragedeelte.

Een boorbit of schroefbit plaatsen of verwijderen (fig. D)

Dit gereedschap is uitgerust met een spanknop zonder sleutel, zodat u bits gemakkelijk kunt verwisselen.

- ◆ Vergrendel het gereedschap door de schuifknop voor rechtsom/linksom (2) in de middelste stand te zetten.
- ◆ Open de spanknop (3) door de knop met uw ene hand te draaien terwijl u het apparaat met de andere hand vasthoudt.
- ◆ Plaats de bitschacht (13) in de spanknop.
- ◆ Draai de spanknop (3) met uw ene hand stevig vast terwijl u het apparaat met de andere hand vasthoudt.

Gebruik

Waarschuwing! Laat het gereedschap in zijn eigen tempo werken. Niet overbelasten.

De accu opladen (fig. A)

De accu moet vóór het eerste gebruik worden opgeladen en ook zodra deze niet meer voldoende vermogen levert voor taken die eerst gemakkelijk konden worden uitgevoerd. Tijdens het opladen kan de accu warm worden. Dit is normaal en duidt niet op een probleem.

Waarschuwing! Laad de accu niet op bij omgevingstemperaturen onder 4° C of boven 40° C. Aanbevolen laadtemperatuur: ongeveer 24 °C.

Opmerking: De lader functioneert niet als de temperatuur van de accu lager is dan ongeveer 0° C of hoger dan 40° C.

Laat de accu in dat geval in de lader zitten. De lader wordt automatisch ingeschakeld wanneer de accu de juiste temperatuur heeft.

- ◆ Als u de accu (5) wilt opladen, schuift u de accu in de lader (9). De accu past maar op één manier in de lader. Forceer de accu niet tijdens het aansluiten. Zorg ervoor dat de accu goed in de lader is geplaatst.
- ◆ Steek de stekker van de lader in een stopcontact.

Het oplaadlampje (10) gaat langzaam groen knipperen. Als het lampje (10) continu groen brandt, is de accu volledig opgeladen. U kunt de accu gewoon in de lader laten zitten wanneer het oplaadlampje brandt. Het lampje gaat groen knipperen (opladen), omdat de accu door de lader af en toe wordt bijgeladen. Het oplaadlampje (10) blijft branden zo lang de accu zich op de lader bevindt en de lader is aangesloten op het stopcontact.

- ◆ Lege accu's moet u binnen een week opladen. Als u accu's leeg bewaart, wordt de levensduur van de accu's aanzienlijk verminderd.

De accu in de lader laten zitten

U kunt de accu gedurende onbepaalde tijd in de lader laten zitten terwijl het oplaadlampje brandt. De lader zorgt ervoor dat de accu altijd volledig opgeladen is.

Problemen met de accu

Als er wordt geconstateerd dat de accu bijna leeg is of beschadigd is, gaat het oplaadlampje (10) snel rood knipperen. Ga in dat geval als volgt te werk:

- ◆ Verwijder de accu (5) en plaats deze opnieuw.
- ◆ Als het oplaadlampje snel rood blijft knipperen, gebruik dan een andere accu om te controleren of de lader wel goed werkt.
- ◆ Als de andere accu goed wordt opgeladen, is de oorspronkelijke accu defect. Breng de accu naar een servicecentrum voor recycling.
- ◆ Als het lampje ook bij de andere accu snel knippert, moet u de lader laten testen bij een erkend servicecentrum.

Opmerking: Het kan soms een uur duren om na te gaan of de accu goed functioneert. Als de accu te warm of te koud is, knippert het lampje afwisselend snel en langzaam rood.

De draairichting selecteren (fig. E)

Voor boren en het vastdraaien van schroeven, gebruikt u de voorwaartse draairichting (rechtsom). Voor het losdraaien van schroeven of het verwijderen van een vastgelopen boorbit, gebruikt u de tegengestelde draairichting (linksom).

- ◆ Als u vooruit draaien wilt selecteren, drukt u de schuifknop voor rechtsom/linksom (2) naar links.
- ◆ Als u achteruit draaien wilt selecteren, drukt u de schuifknop voor rechtsom/linksom naar rechts.
- ◆ U kunt het gereedschap vergrendelen door de schuifknop voor rechtsom/linksom in de middelste stand te zetten.

De torsie selecteren

Dit gereedschap is uitgerust met een stelring waarmee u de torsie kunt instellen voor verschillende schroef- en boortoepassingen. Grote schroeven en harde werkstukmaterialen vereisen een hogere torsie-instelling dan kleine schroeven en zachte werkstukmaterialen. Verderop worden de symbolen op de stelring beschreven.

- ◆ Als u in hout, metaal of kunststof wilt boren, stelt u de stelring (4) in op het symbool **1**.
- ◆ Als u schroeven wilt draaien, stelt u de stelring op de **gewenste instelling** in. Als u niet weet wat de juiste instelling is, gaat u als volgt te werk:
 - Zet de stelring (4) op de laagste torsie-instelling.
 - Draai de eerste schroef aan.
 - Als de koppeling ratelt voordat het gewenste resultaat is bereikt, verhoogt u de instelling van de stelring en gaat u door met het aandraaien van de schroef.

Herhaal dit totdat u de juiste instelling bereikt. Gebruik deze instelling voor de resterende schroeven.

Boren/schroeven

- ◆ Gebruik de schuifknop voor rechtsom/linksom (2) om de gewenste draairichting te selecteren.
- ◆ Druk de aan/uit-schakelaar (1) in om het gereedschap in te schakelen. De snelheid van het gereedschap hangt af van hoe ver u de schakelaar indrukt.
- ◆ Laat de aan/uit-schakelaar los om het gereedschap uit te schakelen.

Tips voor optimaal gebruik

Boren

- ◆ Oefen lichte druk uit op het boorbit. Doe dit altijd loodrecht op het bit.
- ◆ Net voordat de punt van het boorbit door het werkstuk gaat, hoeft u geen druk meer uit te oefenen op het bit.
- ◆ Gebruik een blokje hout als u gaat boren in werkstukken die makkelijk splinteren.
- ◆ Gebruik speciale houtboren wanneer u gaten met een grote diameter wilt boren in hout.
- ◆ Gebruik HSS-boorbits als u gaat boren in metaal.
- ◆ Gebruik steenboren als u gaat boren in zachte steen.
- ◆ Gebruik een smeermiddel wanneer u gaat boren in andere metalen dan gietijzer of koper.
- ◆ Gebruik een centerpons om een beginpunt voor het boorgat te maken, zodat u nauwkeuriger kunt werken.

Schroeven

- ◆ Gebruik altijd het juiste type en formaat schroefbit.
- ◆ Als schroeven moeilijk kunnen worden vastgedraaid, kunt u een kleine hoeveelheid afwasmiddel of zeep als smeermiddel gebruiken.
- ◆ Houd het gereedschap en de schroefbit altijd recht in het verlengde van de schroef.

Onderhoud

Uw Black & Decker-gereedschap is ontworpen om gedurende langere periode te functioneren met een minimum aan onderhoud. U kunt het gereedschap naar volle tevredenheid blijven gebruiken als u voor correct onderhoud zorgt en het gereedschap regelmatig schoonmaakt.

Naast regelmatige reiniging vereist de lader geen onderhoud.

Waarschuwing! Voordat u onderhoud aan het gereedschap uitvoert, verwijdert u de accu uit het gereedschap. Neem de lader uit het stopcontact voordat u deze schoonmaakt.

- ◆ Reinig regelmatig de ventilatieopeningen van het gereedschap en de lader met een zachte borstel of droge doek.

- ◆ Reinig regelmatig de behuizing van de motor met een vochtige doek. Gebruik geen schuur- of oplosmiddel.
- ◆ Open regelmatig de spanknop en tik erop om eventueel stof uit het binnenste te verwijderen.

Milieu



Aparte inzameling. Dit product mag niet met normaal huishoudelijk afval worden weggegooid.

Mocht u op een dag constateren dat het Black & Decker-product aan vervanging toe is of dat u het apparaat niet meer nodig hebt, gooi het product dan niet bij het restafval. Het product valt onder de categorie voor elektrische apparaten.



Gescheiden inzameling van gebruikte producten en verpakkingsmaterialen maakt het mogelijk materialen te recyclen en opnieuw te gebruiken. Hergebruik van gerecycleerde materialen zorgt voor minder milieuvuiling en dringt de vraag naar grondstoffen terug.

Plaatselijke verordeningen kunnen voorzien in gescheiden inzameling van huishoudelijke elektrische producten via gemeentelijke stortplaatsen of via de leverancier bij wie u een nieuw product aanschaft.

Black & Decker biedt de mogelijkheid tot het recyclen van afgedankte Black & Decker-producten. Om gebruik te maken van deze service, dient u het product naar een van onze servicecentra te sturen, die de inzameling voor ons verzorgen.

U kunt het adres van het dichtstbijzijnde servicecentrum opvragen via de adressen op de achterzijde van deze handleiding. U kunt ook een lijst van onze servicecentra en meer informatie m.b.t. onze klantenservice vinden op het volgende internetadres: www.2helpU.com

Accu's



Ontlaad de batterij volledig en verwijder deze vervolgens uit het gereedschap.

- ◆ NiCd-, NiMH- en lithium-ionbatterijen kunnen worden gerecycled. Breng deze naar een servicecentrum of een inzamellocatie in uw woonplaats.

Technische gegevens

		EPL14 (H1)	EPL18 (H1)
Spanning	V_{ac}	14,4	18
Onbelaste snelheid	Min.¹	0-750	0-750
Max. torsie	Nm	10/21	11/21
Spancapaciteit	mm	10	10
Max. boorvermogen			
Metaal/hout	mm	10/25	10/25

Lader		905531** type 1
Ingangsspanning	V_{ac}	230
Uitgangsspanning	V_{ac}	16,4 / 20,5
Laadstroom	mA	200
Oplaadtijd ca.	uur	5 - 7

Accu		BL1114	BL1314	BL1514
Spanning	V_{ac}	14,4	14,4	14,4
Capaciteit	Ah	1,1	1,3	1,5
Type		Lithium-ion	Lithium-ion	Lithium-ion

Accu		BL1118	BL1318	BL1518
Spanning	V_{ac}	18	18	18
Capaciteit	Ah	1,1	1,3	1,5
Type		Lithium-ion	Lithium-ion	Lithium-ion

Geluidsdruk, volgens EN 60745:	
Geluidsdruk (L_{A})	87,5 dB(A), meetonzekerheid (K) 3 dB(A)
Geluidsvermogen (L_{WA})	98,5 dB(A), meetonzekerheid (K) 3 dB(A)

Totale trillingswaarden (som triaxvector) volgens EN 60745:	
In metaal boren ($a_{h,1}$)	<2,5 m/s², meetonzekerheid (K) 1,5 m/s²
Schroeven indraaien zonder slagen ($a_{h,2}$)	<2,5 m/s², meetonzekerheid (K) 1,5 m/s²

EG-conformiteitsverklaring

RICHTLIJN MACHINERIEËN



EPL14 / EPL18

Black & Decker verklaart dat deze producten, die zijn beschreven onder "Technische gegevens", voldoen aan: 2006/42/EC, EN 60745-1, EN 60745-2-1

Neem voor meer informatie contact op met Black & Decker op het volgende adres of raadpleeg de achterzijde van de handleiding.

Ondergetekende is verantwoordelijk voor de compilatie van het technische bestand en geeft deze verklaring namens Black&Decker af.

Kevin Hewitt
Vice-President Global Engineering
Black & Decker Europe, 210 Bath Road, Slough,
Berkshire, SL1 3YD
Verenigd Koninkrijk
10/03/2010

Garantie

Black & Decker heeft vertrouwen in haar producten en biedt een uitstekende garantie. Deze garantiebepalingen vormen een aanvulling op uw wettelijke rechten en beperken deze niet. De garantie geldt in de lidstaten van de Europese Unie en de Europese Vrijhandelsassociatie.

Mocht uw Black & Decker product binnen 24 maanden na de datum van aankoop defect raken ten gevolge van materiaal- of constructiefouten, dan garanderen wij de kosteloze vervanging van defecte onderdelen, de reparatie van het product of de vervanging van het product, tenzij:

- ◆ Het product is gebruikt voor handelsdoeleinden, professionele toepassingen of verhuurdoeleinden.
- ◆ Het product onoordeelkundig is gebruikt.
- ◆ Het product is beschadigd door invloeden van buitenaf of door een ongeval.
- ◆ Reparaties zijn uitgevoerd door anderen dan onze servicecentra of Black & Decker-personeel.

Om een beroep te doen op de garantie, dient u een aankoopbewijs te overhandigen aan de verkoper of een van onze servicecentra. U kunt het adres van het dichtstbijzijnde servicecentrum opvragen via de adressen op de achterzijde van deze handleiding. U kunt ook een lijst van onze servicecentra en meer informatie m.b.t. onze klantenservice vinden op het volgende internetadres: www.2helpU.com

Meld u aan op onze website www.blackanddecker.nl om te worden geïnformeerd over nieuwe producten en speciale aanbiedingen. Verdere informatie over het merk Black & Decker en onze producten vindt u op www.blackanddecker.nl.

Uso previsto

El taladro/destornillador Black & Decker se ha diseñado para atornillar y para taladrar madera, metal y plásticos. Esta herramienta está pensada únicamente para uso doméstico.

Instrucciones de seguridad

Advertencias de seguridad generales para herramientas eléctricas



¡Atención! Lea todas las advertencias e instrucciones de seguridad. En caso de no atenerse a las siguientes advertencias e instrucciones de seguridad, podría producirse una descarga eléctrica, incendio o lesión grave.

Guarde todas las advertencias e instrucciones para futuras consultas. El término "herramienta eléctrica" empleado en las advertencias a continuación hace referencia a la herramienta eléctrica con alimentación de red (con cable) o alimentada por batería (sin cable).

1. Seguridad del área de trabajo
 - a. Mantenga limpia y bien iluminada el área de trabajo. El desorden o una iluminación deficiente en las áreas de trabajo puede provocar accidentes.
 - b. No utilice la herramienta eléctrica en un entorno con **peligro de explosión, en el que se encuentren líquidos, gases o material en polvo inflamables**. Las herramientas eléctricas producen chispas que pueden llegar a inflamar el polvo o los vapores.
 - c. Cuando utilice la herramienta eléctrica, mantenga alejados a los niños y a otras personas del área de trabajo. Una distracción le puede hacer perder el control sobre la herramienta.
2. Seguridad eléctrica
 - a. El enchufe de la herramienta eléctrica debe corresponder a la toma de corriente utilizada. **No modifique el enchufe. No emplee adaptadores en herramientas eléctricas dotadas con toma de tierra.** Estas pautas le ayudarán a reducir el riesgo de descargas eléctricas.
 - b. Evite tocar partes conectadas a tierra como tuberías, radiadores, cocinas y refrigeradores. El riesgo de descarga eléctrica es mayor si el usuario entra en contacto con elementos conectados a tierra.
 - c. No exponga las herramientas eléctricas a la lluvia y **evite que penetren líquidos en su interior**, ya que existe el peligro de recibir una descarga eléctrica.
 - d. Cuide el cable de alimentación. No lo utilice para transportar o colgar la herramienta eléctrica, ni tire de él para sacar el enchufe de la toma de corriente. **Manténgalo alejado del calor, aceite, bordes afilados o piezas móviles.** Los cables de red dañados o enredados incrementan el riesgo de descarga eléctrica.
- e. Si trabaja con la herramienta eléctrica en el exterior, utilice solamente cables de prolongación homologados para uso en exteriores. Esto le ayudará a reducir el riesgo de descarga eléctrica.
- f. Si la utilización de una herramienta eléctrica en un lugar húmedo es inevitable, utilice una fuente protegida con un dispositivo de corriente residual (RCD). La utilización de un RCD reduce el riesgo de sufrir descargas eléctricas.
3. Seguridad personal
 - a. **Esté atento a lo que hace y utilice la herramienta eléctrica con prudencia. No la use si está cansado, ni si se encuentra bajo los efectos del alcohol, drogas o medicamentos.** Si desatiende la herramienta, aunque sea durante unos instantes, puede haber riesgo de lesiones graves.
 - b. Utilice material de protección personal. Utilice siempre gafas de protección. El riesgo de lesiones se reduce considerablemente si se utiliza material de protección adecuado como una mascarilla antipolvo, zapatos de seguridad con suela antideslizante, casco o protectores auditivos.
 - c. **Impida que la herramienta se ponga en marcha accidentalmente. Asegúrese de que el interruptor de encendido/apagado se encuentre en la posición de apagado antes de conectar la herramienta a la fuente de alimentación o a la batería, o de coger o transportar la herramienta.** Transportar la herramienta eléctrica con el dedo sobre el interruptor o enchufarla con el interruptor encendido puede provocar accidentes.
 - d. **Retire las herramientas de ajuste o llaves fijas antes de conectar la herramienta eléctrica.** Una herramienta o llave colocada en una pieza giratoria de la herramienta puede producir lesiones al ponerse ésta en marcha.
 - e. **Sea precavido. Evite adoptar una posición que fatigue su cuerpo; mantenga un apoyo firme sobre el suelo y conserve el equilibrio en todo momento.** Ello le permitirá controlar mejor la herramienta eléctrica en caso de presentarse una situación inesperada.
 - f. **Vístase con la ropa adecuada. No lleve ropa holgada ni joyas. Aleje el pelo, la ropa y los guantes de las piezas móviles.** La ropa holgada, las joyas y el pelo largo se pueden enganchar con las piezas en movimiento.
 - g. **Siempre que sea posible utilizar unos equipos de aspiración o captación de polvo, asegúrese de que éstos estén montados y que sean utilizados correctamente.** El empleo de estos equipos reduce los riesgos derivados del polvo.

4. **Uso y cuidado de herramientas eléctricas**
- No sobrecargue la herramienta eléctrica. Use la herramienta adecuada para cada aplicación. Con la herramienta eléctrica adecuada podrá trabajar mejor y más seguro dentro del margen de potencia indicado.
 - No utilice herramientas eléctricas con un interruptor defectuoso. Las herramientas eléctricas que no se puedan conectar o desconectar son peligrosas y deben hacerse reparar.
 - Desconecte de la herramienta eléctrica el enchufe de la fuente de alimentación y de la batería antes de **realizar cualquier ajuste, cambiar accesorios o guardar la herramienta**. Esta medida preventiva reduce el riesgo de encender accidentalmente la herramienta eléctrica.
 - Guarde las herramientas eléctricas fuera del alcance de los niños y de las personas que no estén familiarizadas con su uso. Las herramientas eléctricas utilizadas por personas inexpertas son peligrosas.
 - Cuide sus herramientas eléctricas con esmero. Controle si funcionan correctamente, sin atascarse, las partes móviles de la herramienta eléctrica, y si existen partes rotas o deterioradas que pudieran afectar al funcionamiento de la herramienta. Si la herramienta eléctrica estuviese defectuosa haga que la reparen antes de volver a utilizarla. Muchos accidentes se deben a herramientas eléctricas con un mantenimiento deficiente.
 - Mantenga las herramientas de corte limpias y afiladas.** Las herramientas de corte que se mantienen correctamente se dejan guiar y controlar mejor.
 - Utilice la herramienta eléctrica, los accesorios, los útiles de la herramienta, etc. de acuerdo con estas instrucciones, y tenga en cuenta las condiciones de trabajo y la tarea a realizar. El uso de herramientas eléctricas para trabajos diferentes de aquellos para los que han sido concebidas puede resultar peligroso.
5. **Uso y cuidado de la batería**
- Recargue la batería sólo con el cargador especificado** por el fabricante. Un cargador que sea específico para un tipo de batería podría suponer un riesgo de incendio si se utiliza con otra batería.
 - Utilice herramientas eléctricas solamente cuando se **especifique en la batería**. El uso de otra batería puede implicar un riesgo de incendio y lesiones.
 - Cuando no se utilice la batería, manténgala alejada de objetos de metal como clips para papel, monedas, llaves, clavos, tornillos y otros pequeños objetos metálicos que pueden realizar una conexión de un terminal a otro. Si provoca un cortocircuito entre los terminales de la batería, puede ocasionar un incendio o sufrir quemaduras.
 - En condiciones extremas, es posible que la batería expulse líquido; evite el contacto. En caso de tocarlo accidentalmente, enjuáguese con agua. Si el líquido entra en contacto con los ojos, solicite asistencia médica.** El líquido que expulsa la batería puede producir irritación o quemaduras.
6. **Servicio técnico**
- Esta herramienta eléctrica solo la puede reparar **personal técnico autorizado que emplee exclusivamente piezas de repuesto originales**. Solamente así se garantiza la seguridad de la herramienta eléctrica.

Advertencias de seguridad adicionales para herramientas eléctricas



¡Atención! Advertencias de seguridad adicionales para taladros y taladros de percusión

- ◆ **Utilice protectores para los oídos con los taladros de percusión.** La exposición al ruido puede provocar una pérdida de audición.
- ◆ **Utilice las empuñaduras auxiliares suministradas con la herramienta.** La pérdida de control puede provocar lesiones.
- ◆ **Sujete la herramienta eléctrica por la superficie protegida cuando realice una operación en la que el accesorio de corte o el elemento de sujeción puedan entrar en contacto con cableado oculto.** El contacto del accesorio de corte o el elemento de sujeción con un cable conectado a la red eléctrica podría hacer que las partes metálicas de la herramienta transmitieran esa electricidad y producir una descarga al usuario.
- ◆ **Utilice pinzas u otro método práctico para asegurar y sujetar la pieza de trabajo a una plataforma estable.** Si sostiene la pieza con la mano o contra el cuerpo, podría provocar su inestabilidad y perder el control.
- ◆ **Antes de perforar paredes, suelos o techos, compruebe la ubicación de cables y tuberías.**
- ◆ **Evite tocar la punta de una broca inmediatamente después de taladrar, ya que puede estar caliente.**
- ◆ **Las personas (incluyendo niños) con capacidades físicas, sensoriales o mentales disminuidas o que carezcan de experiencia y conocimientos no deben utilizar esta herramienta, salvo que hayan recibido supervisión o formación con respecto al uso del aparato por parte de una persona responsable de su seguridad.** Los niños deben vigilarse en todo momento para garantizar que el aparato no se toma como elemento de juego.
- ◆ **En este manual de instrucciones se describe el uso para el que se ha diseñado el aparato. La utilización de**

accesorios o la realización de operaciones con esta herramienta distintas de las recomendadas en este manual de instrucciones puede implicar un riesgo de lesiones o daños materiales.

Seguridad de terceros

- ◆ Ninguna persona (incluyendo niños) con capacidades físicas, sensoriales o mentales disminuidas, o que carezca de experiencia y conocimientos, debe utilizar este aparato, salvo que haya recibido supervisión o formación con respecto al uso del aparato por parte de una persona responsable de su seguridad.
- ◆ Los niños deben vigilarse en todo momento para garantizar que el aparato no se toma como elemento de juego.

Riesgos residuales.

El uso de esta herramienta puede producir riesgos residuales adicionales no incluidos en las advertencias de seguridad adjuntas. Estos riesgos se pueden generar por un uso incorrecto, demasiado prolongado, etc.

El cumplimiento de las normas de seguridad correspondientes y el uso de dispositivos de seguridad no evitan ciertos riesgos residuales. Estos riesgos incluyen:

- ◆ Lesiones producidas por el contacto con piezas móviles o giratorias.
- ◆ Lesiones producidas al cambiar cualquier pieza, cuchilla o accesorio.
- ◆ Lesiones producidas al usar una herramienta por un tiempo demasiado prolongado. Si utiliza una herramienta durante períodos de tiempo demasiado prolongados, asegúrese de realizar pausas con frecuencia.
- ◆ Discapacidad auditiva.
- ◆ Riesgos para la salud producidos al respirar el polvo que se genera al usar la herramienta (por ejemplo: en los trabajos con madera, especialmente de roble, haya y tableros de densidad mediana).

Vibración

El valor de emisión de vibraciones indicado en el apartado de características técnicas y en la declaración de conformidad se ha calculado según un método de prueba estándar proporcionado por la norma EN 60745 y puede utilizarse para comparar una herramienta con otra. El valor de emisión de vibraciones especificado también puede utilizarse en una evaluación preliminar de la exposición.

¡Atención! El valor de emisión de vibraciones durante el funcionamiento real de la herramienta eléctrica puede diferir del valor declarado en función de cómo se utilice dicha herramienta. El nivel de las vibraciones puede superar el indicado.

Al evaluar la exposición a las vibraciones con el fin de determinar las medidas de seguridad que exige la norma 2002/44/CE para proteger a las personas que utilizan periódicamente herramientas eléctricas en el entorno laboral, deberá tenerse en cuenta una estimación de la exposición a las vibraciones, las condiciones de uso reales y el modo de empleo de la herramienta, así como los pasos del ciclo operativo como, por ejemplo, el número de veces que la herramienta se apaga, el tiempo que está parada y el tiempo de activación.

Etiquetas en la herramienta

Encontrará los siguientes símbolos en la herramienta:



¡Atención! Para reducir el riesgo de lesiones, el usuario debe leer el manual de instrucciones.

Instrucciones de seguridad adicionales para baterías y cargadores

Baterías

- ◆ No intente abrirlas bajo ningún concepto.
- ◆ No exponga la batería al agua.
- ◆ No las almacene en lugares en los que la temperatura pueda superar los 30 °C.
- ◆ Realice la carga únicamente a una temperatura ambiente de entre 4 °C y 40 °C.
- ◆ Utilice únicamente el cargador suministrado con la herramienta para realizar la carga.
- ◆ Para desechar las baterías, siga las instrucciones facilitadas en la sección "Protección del medio ambiente".

No intente cargar baterías dañadas.



Cargadores

- ◆ Utilice el cargador Black & Decker para cargar únicamente la batería de la herramienta con la que fue suministrado. Si intenta cargar otras baterías, estas podrían explotar y provocar lesiones y daños materiales.
- ◆ Nunca intente cargar baterías no recargables.
- ◆ Sustituya los cables defectuosos inmediatamente.
- ◆ No exponga el cargador al agua.
- ◆ No abra el cargador.
- ◆ No aplique ningún dispositivo para medir la resistencia del cargador.



Este cargador está pensado únicamente para utilizar en un lugar interior.



Lea el manual de instrucciones antes de utilizar el aparato.

- ◆ Inserte el eje de la broca o punta de destornillador (13) en el portabrocas.
- ◆ Para apretar firmemente el portabrocas (3), gírelo con una mano mientras sujeta la herramienta con la otra.

Seguridad eléctrica



El cargador está provisto de doble aislamiento, por lo que no requiere una toma de tierra. Cada vez que utilice el aparato, debe comprobar que el voltaje de la red eléctrica corresponde con el valor indicado en la placa de características. No intente sustituir el cargador por un enchufe convencional para la red eléctrica.

- ◆ Si el cable de alimentación está dañado, haga que lo sustituya el fabricante o un centro de asistencia técnica autorizado de Black & Decker para evitar cualquier situación de riesgo.

Características

Esta herramienta incluye una o más de las siguientes características:

1. Interruptor de velocidad variable
2. Control deslizante de avance/retroceso
3. Portabrocas
4. Collar de ajuste de torsión
5. Batería
6. Soporte de la punta

Fig. A

7. Cargador
8. Indicador de carga

Montaje

¡Atención! Antes de proceder al montaje, extraiga la batería de la herramienta.

Inserción y extracción de la batería (fig. B)

- ◆ Para insertar la batería (5), alíneela con el receptáculo de la herramienta. Deslice la batería dentro del receptáculo y empujela hasta que encaje en su sitio.
- ◆ Para extraer la batería, presione el botón de liberación (12) a la vez que tira de la batería para extraerla del receptáculo.

Colocación y extracción de la broca o la punta del destornillador (fig. D)

Esta herramienta está dotada de un portabrocas sin llave que permite cambiar las brocas fácilmente.

- ◆ Para bloquear la herramienta, ajuste el control deslizante de avance/retroceso (2) en la posición central.
- ◆ Para abrir el portabrocas (3), gírelo con una mano mientras sujeta la herramienta con la otra.

Uso

¡Atención! Deje que la herramienta funcione a su ritmo. No la sobrecargue.

Carga de la batería (fig. A)

Es necesario cargar la batería antes del primer uso y cada vez que perciba que no dispone de suficiente potencia para tareas que eran fáciles de realizar anteriormente. Es posible que la batería se caliente durante la carga, algo que es normal y no denota ningún problema.

¡Atención! No cargue la batería a una temperatura ambiente inferior a 4 °C o superior a 40 °C. Temperatura de carga recomendada: aprox. 24 °C.

Nota: El cargador no cargará la batería si la temperatura de esta es inferior a los 0 °C o superior a los 40 °C aproximadamente.

Deje la batería en el cargador y este empezará a cargarla automáticamente cuando la temperatura de la batería aumente o disminuya.

- ◆ Para cargar la batería (5), insértela en el cargador (9). La batería solo encajará en el cargador en una dirección. No la fuerce. Asegúrese de que la batería queda perfectamente encajada en el cargador.
- ◆ Enchufe el cargador y conéctelo a la red eléctrica.

El indicador de carga (10) parpadeará en verde de forma continua (lentamente).

La carga habrá finalizado cuando el indicador de carga (10) se ilumine en verde de manera continua. El cargador y la batería pueden permanecer conectados durante un periodo de tiempo indefinido con el indicador LED iluminado. El indicador LED pasará a parpadear en verde (estado de carga), ya que el cargador completa la carga de la batería ocasionalmente. El indicador de carga (10) permanecerá encendido siempre que la batería esté conectada al cargador y este último permanezca enchufado.

- ◆ Cargue las baterías descargadas en el plazo de 1 semana. La vida útil de la batería disminuirá considerablemente si se almacena descargada.

Si la batería se deja en el cargador

El cargador y la batería pueden permanecer conectados durante un periodo de tiempo indefinido con el indicador LED iluminado. El cargador mantendrá la batería a baja temperatura y completamente cargada.

Diagnóstico del cargador

Si el cargador detecta que la batería dispone de poca energía o está dañada, el indicador de carga (10) parpadeará en rojo a gran velocidad. Realice el procedimiento siguiente:

- ◆ Vuelva a insertar la batería (5).
- ◆ Si los indicadores de carga continúan parpadearo en rojo rápidamente, utilice una batería diferente para determinar si el proceso de carga se efectúa correctamente.
- ◆ Si la batería sustituida se carga correctamente, significará que la batería original está defectuosa y que debe devolverla al centro de servicio para su reciclado.
- ◆ Si el cargador muestra la misma indicación con la batería nueva, llévelo a un centro de servicio autorizado para que lo revisen.

Nota: Es posible que se empleen 60 minutos en determinar si la batería es defectuosa. Si la batería está demasiado fría o demasiado caliente, el indicador LED parpadeará en rojo rápida y lentamente, de manera alternativa, y se repetirá la secuencia.

Selección de la dirección de rotación (fig. E)

Para perforar y apretar tornillos, utilice la rotación hacia delante (en el sentido de las agujas del reloj). Para aflojar tornillos o extraer una broca atascada, utilice la rotación hacia atrás (en el sentido contrario a las agujas del reloj).

- ◆ Para seleccionar la rotación hacia delante, empuje el control deslizante de avance/retroceso (2) hacia la izquierda.
- ◆ Para seleccionar la rotación hacia atrás, empuje el control deslizante de avance/retroceso hacia la derecha.
- ◆ Para bloquear la herramienta, ajuste el control deslizante de avance/retroceso en la posición central.

Selección de la torsión

Esta herramienta está dotada de un collar que permite ajustar la torsión para atornillar y taladrar. Los tornillos largos y las piezas de trabajo de materiales duros requieren un ajuste de torsión mayor que los tornillos pequeños y las piezas de trabajo de materiales blandos. Para obtener la definición del símbolo consulte la lista siguiente.

- ◆ Para taladrar madera, metal y plásticos, ajuste el collar de ajuste de torsión (4) en el símbolo 1.
- ◆ Para atornillar, fije el collar en el ajuste deseado. Si no conoce el ajuste adecuado, haga lo siguiente:
 - Ajuste el collar de ajuste de torsión (4) en el valor más bajo.
 - Apriete el primer tornillo.
 - Si la herramienta se detiene antes de obtener el resultado deseado, aumente el ajuste del collar y continúe atornillando. Repita la operación hasta obtener el ajuste correcto. Utilice este ajuste para los tornillos restantes.

Perforar/atornillar

- ◆ Seleccione la rotación hacia delante o hacia atrás mediante el control deslizante de avance/retroceso (2).
- ◆ Para encender la herramienta, pulse el interruptor (1). La velocidad de la herramienta depende de la presión que se aplique al interruptor.
- ◆ Para apagar la herramienta, suelte el interruptor.

Consejos para un uso óptimo

Perforar

- ◆ Ejerza siempre una ligera presión en línea recta con la broca.
- ◆ Justo antes de que la broca traspase el otro lado de la pieza de trabajo, disminuya la presión ejercida sobre la herramienta.
- ◆ Utilice un bloque de madera para proteger las piezas de trabajo que puedan astillarse.
- ◆ Utilice brocas de pala para taladrar orificios de gran diámetro sobre madera.
- ◆ Utilice brocas de acero de alta velocidad (HSS) para taladrar metal.
- ◆ Utilice brocas de mampostería para taladrar materiales de mampostería ligera.
- ◆ Utilice un lubricante cuando taladre metales distintos de hierro fundido y latón.
- ◆ Haga una muesca con un punzón de centrar en la parte central del orificio que va a perforar para mejorar la precisión.

Atornillar

- ◆ Utilice siempre el tipo y tamaño de punta de destornillador correctos.
- ◆ Si le resulta difícil apretar los tornillos, inténtelo utilizando un poco de detergente o de jabón como lubricante.
- ◆ Sujete siempre la herramienta y la punta del destornillador en línea recta con el tornillo.

Mantenimiento

La herramienta de Black & Decker se ha diseñado para que funcione durante un largo período de tiempo con un mantenimiento mínimo. El funcionamiento satisfactorio continuado depende de un cuidado apropiado y una limpieza periódica de la herramienta.

El cargador no requiere ningún mantenimiento especial excepto la limpieza.

¡Atención! Antes de realizar alguna operación de mantenimiento en la herramienta, extraiga la batería. Desenchufe el cargador antes de limpiarlo.

- ◆ Limpie periódicamente las ranuras de ventilación de la herramienta y el cargador con un cepillo suave o paño seco.
- ◆ Limpie periódicamente la carcasa del motor con un paño húmedo. No utilice limpiadores de base abrasiva o disolventes.
- ◆ Abra regularmente el portabrocas y golpéelo suavemente para eliminar los restos de polvo que haya en su interior.

- ◆ Las baterías de níquel cadmio (NiCd), de hidruro de níquel-metal (NiMH) y de iones de litio son reciclables. Llévelas al agente autorizado más cercano o a un centro de reciclaje local.

Protección del medio ambiente



Recogida selectiva. No se debe desechar este producto con el resto de residuos domésticos.

Si llegase el momento en que fuese necesario sustituir su producto Black & Decker o si este dejase de tener utilidad para usted, no lo deseche junto con los residuos domésticos. Sepárelo para su recogida selectiva.



La recogida selectiva de productos y embalajes usados permite el reciclaje de materiales y su reutilización.

La reutilización de materiales reciclados contribuye a evitar la contaminación medioambiental y reduce la demanda de materias primas.

Las normativas municipales deben ofrecer la recogida selectiva de productos eléctricos del hogar, en puntos municipales previstos para tal fin o a través del distribuidor cuando adquiera un nuevo producto.

Black & Decker proporciona facilidades para la recogida y reciclado de los productos Black & Decker que han llegado al final de su vida útil. Para poder utilizar este servicio, le rogamos que entregue el producto a cualquier agente de servicio técnico autorizado para que se haga cargo de él en nuestro nombre.

Para consultar la dirección del agente de servicio técnico más cercano, póngase en contacto con la oficina local de Black & Decker en la dirección que se indica en este manual. Como alternativa, se puede consultar en Internet la lista de servicios técnicos autorizados e información completa de nuestros servicios de posventa y contactos, en la dirección siguiente: www.2helpU.com

Baterías



Deje que la batería se agote por completo y, a continuación, extráigala de la herramienta.

Características técnicas

		EPL14 (H1)	EPL18 (H1)
Voltaje	V_{cc}	14,4	18
Velocidad sin carga	Min.·	0-750	0-750
Par de torsión máximo	Nm	10/21	11/21
Abertura del portabrocas	mm	10	10
Capacidad máxima de perforación			
Acero/madera	mm	10/25	10/25

Cargador	905531** tipo 1	
Voltaje de entrada	V_{ca}	230
Voltaje de salida	V_{cc}	16,4 / 20,5
Corriente	mA	200
Tiempo de carga aproximado	h	5 - 7

Batería	BL1114	BL1314	BL1514	
Voltaje	V_{cc}	14,4	14,4	14,4
Capacidad	Ah	1,1	1,3	1,5
Tipo		iones de litio	iones de litio	iones de litio

Batería	BL1118	BL1318	BL1518	
Voltaje	V_{cc}	18	18	18
Capacidad	Ah	1,1	1,3	1,5
Tipo		iones de litio	iones de litio	iones de litio

Nivel de presión acústica de acuerdo con la directiva EN 60745:	
Presión acústica (L_{pA})	87,5 dB (A), incertidumbre (K) 3 dB (A)
Potencia acústica (L_{WA})	98,5 dB (A), incertidumbre (K) 3 dB (A)

Valores totales de vibración (suma vectorial triaxial) de acuerdo con la directiva EN 60745:	
Perforación en metal ($a_{h,eq}$)	<2,5 m/s ² , incertidumbre (K) 1,5 m/s ²
Atornillado sin impacto ($a_{h,eq}$)	<2,5 m/s ² , incertidumbre (K) 1,5 m/s ²

Declaración de conformidad CE

DIRECTIVA DE MAQUINARIAS



EPL14 / EPL18

Black & Decker declara que los productos descritos en los "datos técnicos" cumplen con lo siguiente:
2006/42/CE, EN 60745-1, EN 60745-2-1

Si desea obtener más información, póngase en contacto con Black & Decker a través de la siguiente dirección o consulte el dorso del manual.

La persona que firma a continuación es responsable de la elaboración del archivo técnico y realiza esta declaración en nombre de Black & Decker.

Kevin Hewitt
Vicepresidente de Ingeniería global
Black & Decker Europe, 210 Bath Road, Slough,
Berkshire, SL1 3YD
Reino Unido
10/03/2010

Garantía

Black & Decker confía plenamente en la calidad de sus productos y ofrece una garantía extraordinaria. Esta declaración de garantía es un añadido, y en ningún caso un perjuicio para sus derechos legales. La garantía es válida dentro de los territorios de los Estados miembros de la Unión Europea y de los de la Zona Europea de Libre Comercio.

Si un producto Black & Decker resultara defectuoso debido a materiales o mano de obra defectuosos o a la falta de conformidad, Black & Decker garantiza, dentro de los 24 meses de la fecha de compra, la sustitución de las piezas defectuosas, la reparación de los productos sujetos a un desgaste y rotura razonables o la sustitución de tales productos para garantizar al cliente el mínimo de inconvenientes, a menos que:

- ◆ El producto se ha utilizado con propósitos comerciales, profesionales o de alquiler.
- ◆ El producto se ha sometido a un uso inadecuado o negligente.
- ◆ El producto ha sufrido daños causados por objetos o sustancias extrañas o accidentes.
- ◆ Se hayan realizado reparaciones por parte de personas que no sean del servicio técnico autorizado o personal de servicios de Black & Decker.

Para reclamar en garantía, será necesario que presente la prueba de compra al vendedor o al agente de servicio técnico autorizado. Para consultar la dirección del agente de servicio técnico más cercano póngase en contacto con la oficina local de Black & Decker en la dirección que se indica en este manual. Como alternativa, se puede consultar en Internet la lista de servicios técnicos autorizados e información completa de nuestros servicios de posventa y contactos, en la dirección siguiente: www.2helpU.com

Visite el sitio web www.blackanddecker.eu para registrar su nuevo producto Black & Decker y estar al día sobre productos y ofertas especiales. Encontrará información adicional sobre la marca Black & Decker y nuestra gama de productos en www.blackanddecker.eu.

Utilização prevista

O seu berbequim/aparafusadora Black & Decker foi concebido para aparafusar e para perfurar madeira, metal e plástico. Esta ferramenta destina-se apenas a utilização doméstica.

Instruções de segurança

Avisos de segurança gerais para ferramentas eléctricas



Atenção! Leia com atenção todos os avisos de segurança e instruções. O não cumprimento dos seguintes avisos e instruções pode resultar em choque eléctrico, incêndio e/ou graves lesões.

Guarde todos os avisos e instruções para futura referência. A expressão "ferramenta eléctrica" utilizada a seguir refere-se a ferramentas eléctricas com ligação à corrente eléctrica (com cabo) ou com bateria (sem fios).

1. **Segurança na área de trabalho**
 - a. **Mantenha a área de trabalho limpa e bem iluminada.** Áreas desarrumadas ou mal iluminadas são propícias a acidentes.
 - b. **Não trabalhe com ferramentas eléctricas em áreas com risco de explosão, nas quais se encontrem líquidos, gases ou poeiras inflamáveis.** As ferramentas eléctricas produzem faíscas que podem provocar a ignição de poeiras ou vapores.
 - c. **Mantenha crianças e outras pessoas afastadas durante a utilização da ferramenta eléctrica.** As distrações podem dar origem a que perca o controlo da ferramenta.
2. **Segurança eléctrica**
 - a. **A ficha da ferramenta eléctrica deve caber na tomada. A ficha não deve ser modificada de modo algum. Não utilize quaisquer fichas adaptadoras em ferramentas eléctricas com ligação à terra.** Fichas sem modificações e tomadas adequadas reduzem o risco de choques eléctricos.
 - b. **Evite que o corpo entre em contacto com superfícies ligadas à terra, como tubos, radiadores, fogões e frigoríficos.** Existe um maior risco de choque eléctrico se o seu corpo estiver ligado à terra.
 - c. **As ferramentas eléctricas não podem ser expostas a chuva nem humidade.** A penetração de água na ferramenta eléctrica aumenta o risco de choques eléctricos.
 - d. **Manuseie o cabo com cuidado. O cabo não deve ser utilizado para transportar ou pendurar a ferramenta, nem para puxar a ficha da tomada. Mantenha o cabo**
 - e. **afastado de calor, óleo, pontas afiadas ou partes móveis.** Cabos danificados ou torcidos aumentam o risco de choques eléctricos.
 - f. **Quando trabalhar com uma ferramenta eléctrica ao ar livre, utilize um cabo de extensão apropriado para esse fim.** A utilização de um cabo apropriado para áreas ao ar livre reduz o risco de choques eléctricos.
 - g. **Se for inevitável trabalhar com uma ferramenta eléctrica num local húmido, utilize um Dispositivo de Corrente Residual (RCD).** A utilização de um RCD reduz o risco de choque eléctrico.
3. **Segurança pessoal**
 - a. **Mantenha-se atento, observe o que está a fazer e seja prudente ao trabalhar com a ferramenta eléctrica.** Não utilize uma ferramenta eléctrica se estiver cansado ou sob a influência de drogas, álcool ou medicamentos. Um momento de falta de atenção durante a utilização de ferramentas eléctricas poderá causar graves lesões.
 - b. **Utilize equipamento de protecção pessoal. Use sempre óculos de protecção.** Equipamento de protecção como, por exemplo, máscara anti-poeiras, sapatos de segurança anti-derrapantes, capacete de segurança ou protecção auricular, de acordo com o tipo e a aplicação de ferramenta eléctrica, reduz o risco de lesões.
 - c. **Evite arranques involuntários. Certifique-se de que o botão está desligado antes de ligar a ferramenta à corrente eléctrica e/ou à bateria, e antes de pegar ou transportar a ferramenta.** Transportar ferramentas eléctricas com o dedo no botão ou ligar ferramentas eléctricas à tomada com o interruptor na posição de ligado pode dar origem a acidentes.
 - d. **Retire eventuais chaves de ajuste ou chaves de fenda antes de ligar a ferramenta eléctrica.** Uma chave de fenda ou chave de ajuste que se encontre numa peça em rotação da ferramenta eléctrica poderá causar lesões.
 - e. **Não se incline. Mantenha-se sempre bem posicionado e em equilíbrio.** Desta forma, será mais fácil controlar a ferramenta eléctrica em situações inesperadas.
 - f. **Utilize vestuário adequado. Não utilize roupas largas nem jóias.** Mantenha o cabelo, roupa e luvas afastados de peças em movimento. Roupas largas, jóias ou cabelos longos podem ficar presos nas peças em movimento.
 - g. **Se for prevista a montagem de dispositivos de extracção e recolha de pó, assegure-se de que estão ligados e que são utilizados de forma correcta.** A recolha das poeiras pode reduzir os riscos provocados por poeiras.
4. **Utilização e manutenção da ferramenta eléctrica**
 - a. **Não sobrecarregue a ferramenta eléctrica. Utilize a**

ferramenta eléctrica adequada para o trabalho

pretendido. A ferramenta eléctrica correcta realizará o trabalho de forma melhor e mais segura, com a potência com que foi concebida.

- b. Não utilize a ferramenta eléctrica se o interruptor não puder ser ligado nem desligado. Qualquer ferramenta eléctrica que não possa ser controlada com o interruptor é perigosa e terá de ser reparada.
 - c. **Desligue a ficha da tomada e/ou a bateria da tomada antes de proceder a ajustes, trocar acessórios ou guardar ferramentas eléctricas.** Estas medidas de prevenção de segurança reduzem o risco de ligação inadvertida da ferramenta eléctrica.
 - d. **Mantenha as ferramentas eléctricas que não estiverem a ser utilizadas fora do alcance de crianças. Não permita que a ferramenta eléctrica seja utilizada por pessoas não familiarizadas com a mesma ou que não tenham lido estas instruções.** As ferramentas eléctricas são perigosas se utilizadas por pessoas não qualificadas.
 - e. Efectue a manutenção das ferramentas eléctricas. **Verifique se as partes móveis estão desalinhasadas ou bloqueadas, se existem peças partidas ou qualquer outra situação que possa afectar o funcionamento das ferramentas eléctricas. As peças danificadas devem ser reparadas antes da utilização da ferramenta eléctrica.** Muitos acidentes têm como causa uma manutenção insuficiente das ferramentas eléctricas.
 - f. **Mantenha as ferramentas de corte sempre afiadas e limpas.** As ferramentas de corte com a manutenção adequada e extremidades afiadas bloqueiam com menos frequência e são mais fáceis de controlar.
 - g. Utilize a ferramenta eléctrica, acessórios e peças de ferramenta de acordo com estas instruções, considerando as condições de trabalho e a tarefa a ser executada. A utilização da ferramenta eléctrica para fins diferentes dos previstos pode resultar em situações perigosas.
5. Utilização e manutenção da bateria
 - a. **Carregue apenas com o carregador especificado pelo fabricante.** Um carregador adequado para um tipo de bateria pode dar origem a risco de incêndio quando utilizado com outro tipo de bateria.
 - b. Utilize ferramentas eléctricas apenas com baterias **específicas.** A utilização de outras baterias pode originar o risco de ferimentos e incêndio.
 - c. Quando uma bateria não estiver a ser utilizada, mantenha-a afastada de outros objectos metálicos como, por exemplo, cliques, moedas, chaves, pregos, parafusos ou outros pequenos objectos metálicos que possam fazer ligação de um terminal a outro. O

curto-circuito de terminais de bateria pode causar queimaduras ou incêndio.

- d. Sob condições exageradas, a bateria pode verter líquido – evite o contacto. Se ocorrer um contacto accidental, lave abundantemente com água. Se o líquido entrar em contacto com os olhos, procure assistência médica. O líquido vertido da bateria pode causar irritação ou queimaduras.
6. Reparação
 - a. A sua ferramenta eléctrica só deve ser reparada por **pessoal qualificado e só devem ser colocadas peças sobressalentes originais.** Isso garante a manutenção da segurança da ferramenta eléctrica.

Avisos de segurança adicionais para ferramentas eléctricas

Atenção! Avisos de segurança adicionais para berbequins e berbequins de percussão

- ◆ **Utilize protecção auditiva com berbequins de percussão.** A exposição a ruídos pode causar perdas auditivas.
- ◆ Utilize o punho auxiliar fornecido com a ferramenta. A perda de controlo pode provocar ferimentos.
- ◆ **Segure a ferramenta eléctrica pelas áreas isoladas quando executar uma operação em que o acessório de corte/fixador possa entrar em contacto com a cablagem oculta.** O acessório de corte/fixador em contacto com um cabo "electrificado" poderá expor peças metálicas do sistema eléctrico da ferramenta e provocar um choque eléctrico ao utilizador.
- ◆ **Utilize grampos ou outro meio para fixar e apoiar a peça numa plataforma estável.** Se fixar a peça com a mão ou contra o seu corpo, a peça fica instável e pode dar origem à perda de controlo.
- ◆ Antes de perfurar paredes, tectos ou chãos, verifique a localização de cablagem e tubos.
- ◆ Evite tocar na ponta de uma broca logo após a perfuração, uma vez que esta poderá estar quente.
- ◆ Esta ferramenta não deve ser utilizada por pessoas (incluindo crianças) que apresentem capacidades físicas, sensoriais ou mentais reduzidas ou que não possuam os conhecimentos e a experiência necessários, excepto se forem vigiadas e instruídas acerca da utilização do aparelho por uma pessoa responsável pela sua segurança. As crianças deverão ser vigiadas para que não mexam no aparelho.
- ◆ A utilização prevista para este aparelho está descrita no manual de instruções. A utilização de qualquer acessório ou a realização de qualquer operação com esta ferramenta que não se inclua no presente manual de

instruções poderá representar um risco de ferimentos e/ou danos materiais.

Segurança de terceiros

- ◆ Este aparelho não deve ser utilizado por pessoas (incluindo crianças) que apresentem capacidades físicas, sensoriais ou mentais reduzidas ou que não possuam os conhecimentos e a experiência necessários, excepto se forem vigiadas e instruídas acerca da utilização do aparelho por uma pessoa responsável pela sua segurança.
- ◆ As crianças deverão ser vigiadas para que não mexam no aparelho.

Riscos residuais.

Podem surgir riscos residuais adicionais durante a utilização da ferramenta que poderão não constar nos avisos de segurança incluídos. Estes riscos podem resultar de má utilização, uso prolongado, etc.

Mesmo com a aplicação dos regulamentos de segurança relevantes e com a implementação de dispositivos de segurança, alguns riscos residuais não podem ser evitados. Incluem:

- ◆ ferimentos causados pelo contacto com peças em rotação/movimento.
- ◆ ferimentos causados durante a troca de peças, lâminas ou acessórios.
- ◆ ferimentos causados pela utilização prolongada de uma ferramenta. Quando utilizar uma ferramenta por períodos prolongados, faça intervalos regulares.
- ◆ diminuição da audição.
- ◆ Os problemas de saúde causados pela inalação de poeiras resultantes da utilização da ferramenta (exemplo: trabalhos em madeira, especialmente carvalho, faia e MDF).

Vibração

Os valores de emissão de vibração declarados na secção de dados técnicos e na declaração de conformidade foram medidos de acordo com o método de teste padrão fornecido pela norma EN 60745 e podem ser utilizados para comparar ferramentas. O valor de emissão de vibração declarado pode ainda ser utilizado numa avaliação preliminar de exposição.

Atenção! O valor de emissão de vibração durante a utilização real da ferramenta eléctrica pode ser diferente do valor declarado, dependendo da forma como a ferramenta é utilizada. O nível de vibração pode aumentar acima do nível indicado.

Quando avaliar a exposição da vibração para determinar as medidas de segurança exigidas pela norma 2002/44/CE para proteger pessoas que utilizem regularmente ferramentas eléctricas na sua actividade profissional, deve ser considerada uma estimativa de exposição de vibração, as actuais condições de utilização e o modo de utilização da ferramenta, incluindo ainda todas as partes do ciclo de funcionamento, como os períodos de inactividade e espera da ferramenta, para além do tempo de funcionamento.

Rótulos na ferramenta

A ferramenta apresenta os seguintes símbolos:



Atenção! Para reduzir o risco de ferimentos, o utilizador deve ler o manual de instruções.

Instruções de segurança adicionais para baterias e carregadores

Baterias

- ◆ Nunca tente abrir a bateria por motivo algum.
- ◆ Não exponha a bateria à água.
- ◆ Não a armazene em locais onde a temperatura possa exceder os 30 °C.
- ◆ Carregue apenas a temperaturas ambiente entre 4 °C e 40 °C.
- ◆ Carregue apenas com o carregador fornecido com a ferramenta.
- ◆ Quando eliminar as baterias, siga as instruções da secção " Protecção do ambiente ".

Não tente carregar baterias danificadas.



Carregadores

- ◆ Utilize o seu carregador Black & Decker apenas para carregar a bateria na ferramenta respectiva. Outras baterias podem rebentar, provocando ferimentos e danos.
- ◆ Nunca tente carregar baterias não recarregáveis.
- ◆ Substitua os cabos defeituosos imediatamente.
- ◆ Não exponha o carregador à água.
- ◆ Não abra o carregador.
- ◆ Não manipule o interior do carregador.



O carregador deverá ser utilizado apenas em espaços interiores.



Leia o manual de instruções antes da utilização.

Segurança eléctrica



O carregador tem um isolamento duplo, pelo que não é necessário um fio de terra. Verifique sempre se a tensão de alimentação corresponde à tensão indicada na placa de especificações. Nunca tente substituir a unidade do carregador por uma tomada normal de alimentação.

- ◆ Se o cabo de alimentação estiver danificado, terá de ser substituído pelo fabricante ou por um centro de assistência autorizado Black & Decker para evitar acidentes.

Funções

Esta ferramenta inclui algumas ou todas as seguintes funções.

1. Interruptor de velocidade variável
2. Patilha para a frente/para trás
3. Mandril
4. Mandril de ajuste de binário
5. Bateria
6. Porta-pontas

Fig. A

7. Carregador
8. Indicador de carga

Montagem

Atenção! Antes de montar, remova a bateria da ferramenta.

Colocar e remover a bateria (fig. B)

- ◆ Para colocar a bateria (5), alinhe-a com o receptáculo da ferramenta. Faça deslizar a bateria para dentro do receptáculo e puxe até que a bateria se encaixe devidamente.
- ◆ Para remover a bateria, pressione o botão de desbloqueio (12) enquanto retira, ao mesmo tempo, a bateria do receptáculo.

Colocar e remover uma broca ou uma ponta de aparafusadora (fig. D)

Esta ferramenta possui um mandril sem chave para permitir uma troca de brocas fácil.

- ◆ Bloqueie a ferramenta colocando a patilha para a frente/para trás (2) na posição central.
- ◆ Abra o mandril rodando-o (3) com uma mão enquanto segura na ferramenta com a outra.
- ◆ Coloque o veio de pontas (13) no mandril.
- ◆ Aperte firmemente o mandril rodando-o (3) com uma mão enquanto segura na ferramenta com a outra.

Utilização

Atenção! Deixe a ferramenta funcionar ao seu próprio ritmo. Não a sobrecarregue.

Carregar a bateria (fig. A)

A bateria precisa de ser carregada antes da primeira utilização e sempre que não consiga produzir energia suficiente em trabalhos habitualmente feitos sem dificuldade. A bateria pode aquecer quando carregar; isto é normal e não indica um problema.

Atenção! Não carregue a bateria a temperaturas ambientes abaixo de 4 °C ou acima de 40 °C. Temperatura de carregamento recomendada: aprox. 24 °C.

Nota: O carregador não irá carregar a bateria se a temperatura das células for inferior a, aproximadamente, 0 °C ou superior a 40 °C.

A bateria não deve ser retirada do carregador para que este carregue automaticamente quando a temperatura das células aquecer ou arrefecer.

- ◆ Para carregar a bateria (5), insira-a no carregador (9). A bateria só pode ser encaixada no carregador de uma forma. Não force. Certifique-se de que a bateria está completamente introduzida no carregador.
- ◆ Ligue o carregador e ligue-o à corrente.

O indicador de carga (10) ficará verde em modo contínuo e intermitente (lento).

O carregamento está concluído quando o indicador de carga (10) ficar verde de forma contínua. O carregador e a bateria podem ser deixados ligados indefinidamente com o LED aceso. O LED ficará verde e intermitente (a carregar), à medida que o carregador ocasionalmente preenche a carga da bateria. O indicador de carga (10) ficará aceso enquanto a bateria estiver fixa ao carregador ligado na tomada.

- ◆ As baterias descarregadas devem ser carregadas no espaço de 1 semana. A vida útil de uma bateria diminuirá muito se for guardada descarregada.

Deixar a bateria no carregador

O carregador e a bateria podem ser sempre deixados ligados com o LED aceso indefinidamente. O carregador irá manter a bateria completamente carregada.

Diagnóstico do carregador

Se o carregador detectar que a bateria está fraca ou danificada, o indicador de carga (10) ficará vermelho em modo intermitente rápido. Proceda da seguinte forma:

- ◆ Volte a colocar a bateria (5).
- ◆ E os indicadores de carga continuarem a piscar rapidamente a vermelho, utilize uma bateria diferente para determinar se o processo de carga está a funcionar correctamente.

- ◆ Se a bateria de substituição carregar correctamente, então a bateria original está defeituosa e deve ser entregue num centro de serviço para reciclagem.
- ◆ Se a bateria nova der a mesma indicação que a bateria original, leve o carregador até um centro de assistência autorizado para ser testado.

Nota: determinar se a bateria está defeituosa pode demorar até 60 minutos. Se a bateria estiver demasiado quente ou fria, o LED ficará vermelho em modo intermitente rápido e lento alternadamente, piscando uma vez a cada velocidade e repetindo-se.

Seleccionar a direcção de rotação (fig. E)

Para perfuração e para apertar parafusos, utilize a rotação para a frente (no sentido dos ponteiros do relógio). Para soltar parafusos ou remover uma broca encravada, utilize a rotação para trás (no sentido contrário ao dos ponteiros do relógio).

- ◆ Para seleccionar a rotação para a frente, empurre a patilha para a frente/para trás (2) para a posição da esquerda.
- ◆ Para seleccionar a rotação para trás, pressione a patilha para a frente/para trás para a direita.
- ◆ Para bloquear a ferramenta, coloque a patilha para trás/para a frente na posição central.

Seleccionar o binário

Esta ferramenta possui um mandril para definir o binário para as diversas aplicações de perfuração e aparafusamento.

Parafusos grandes e materiais duros requerem uma definição de binário mais elevada do que parafusos pequenos e materiais mais macios. Para a definição do símbolo, consulte a lista a abaixo.

- ◆ Para perfurar madeira, metal e plásticos, defina o mandril de ajuste do binário (4) para o símbolo 1.
- ◆ Para apertar parafusos, coloque o mandril de ajuste na posição pretendida. Se ainda não souber qual a posição apropriada, proceda da seguinte forma:
 - Defina o mandril de ajuste do binário (4) para a definição de binário mais reduzida.
 - Aperte o primeiro parafuso.
 - Se o mecanismo forçar antes de atingir o resultado pretendido, aumente a definição do mandril de ajuste e continue a apertar o parafuso. Repita até atingir a definição correcta. Utilize esta definição para os restantes parafusos.

Perfurar/aparafusar

- ◆ Seleccione a rotação para a frente ou para trás utilizando a patilha para a frente/para trás (2).
- ◆ Para ligar a ferramenta, prima o interruptor para ligar/desligar (1). A velocidade da ferramenta depende de como pressiona o interruptor.
- ◆ Para desligar a ferramenta, solte o interruptor.

Sugestões para uma utilização ideal

Perfurar

- ◆ Aplique sempre uma pressão ligeira em linha recta com a broca.
- ◆ Pouco antes de a ponta da broca alcançar o lado oposto do material, reduza a pressão exercida na ferramenta.
- ◆ Utilize um bloco de madeira para proteger materiais que possam lascar.
- ◆ Utilize brocas espada para perfurar orifícios de grande diâmetro em madeira.
- ◆ Utilize brocas HSS para perfurar metal.
- ◆ Utilize brocas para pedra para perfurar pedra macia.
- ◆ Utilize um lubrificante para perfurar metais diferentes de ferro fundido e latão.
- ◆ Para melhor precisão, efectue um pequeno furo no centro do orifício a perfurar.

Aparafusar

- ◆ Utilize sempre o tipo e tamanho de pontas para aparafusadora correctos.
- ◆ Se os parafusos forem de difícil aperto, aplique uma pequena quantidade de líquido de lavagem ou sabão como lubrificante.
- ◆ Segure sempre a ferramenta e a ponta da aparafusadora em linha recta com o parafuso.

Manutenção

A sua ferramenta Black & Decker foi concebida para funcionar por um longo período de tempo com uma manutenção mínima. Um funcionamento contínuo e satisfatório depende de uma manutenção adequada e da limpeza regular da ferramenta.

O seu carregador não necessita de manutenção para além da limpeza regular.

Atenção! Antes de ser realizada qualquer operação de manutenção na ferramenta, remova a bateria da ferramenta. Desligue o carregador antes de o limpar.

- ◆ Limpe regularmente as saídas de ventilação da ferramenta e o carregador com uma escova suave ou um pano seco.
- ◆ Limpe regularmente o compartimento do motor com um pano húmido. Não utilize nenhum produto de limpeza abrasivo ou a base de solvente.
- ◆ Abra o mandril regularmente e sacuda para remover qualquer vestígio de pó do seu interior.

Protecção do ambiente



Recolha separada. Este produto não pode ser eliminado juntamente com os resíduos domésticos normais.

Se, em algum momento, for necessário substituir este produto Black & Decker ou se este deixar de ter utilidade, não elimine o produto num caixote do lixo. Este produto pode ser separado para reciclagem.



A recolha separada de produtos e embalagens usados permite que os materiais sejam reciclados e reutilizados.

A reutilização de materiais reciclados ajuda a evitar a poluição ambiental e reduz a procura de matérias-primas.

A legislação local poderá prever a recolha separada de produtos domésticos eléctricos, seja em lixeiras municipais ou através do revendedor quando adquira um produto novo.

A Black & Decker dispõe de instalações para recolha e reciclagem de produtos Black & Decker quando estes atingem o fim da vida útil. Para usufruir deste serviço, devolva o produto em qualquer agente de reparação autorizado, que os recolherá em seu nome.

Pode verificar a localização do agente de reparação autorizado mais perto de si, contactando os escritórios locais da Black & Decker através do endereço indicado neste manual. Se preferir, pode encontrar na Internet uma lista de agentes de reparação autorizados Black & Decker, detalhes completos e contactos do serviço pós-venda, no endereço: www.2helpU.com

Baterias



Deixe a bateria descarregar completamente e, em seguida, remova-a da ferramenta.

- As baterias de NiCd, NiMH e de lões de Lítio são recicláveis. Leve as baterias ao seu agente de manutenção autorizado ou a uma estação de reciclagem local.

Dados técnicos

		EPL14 (H1)	EPL18 (H1)
Tensão	V_{cc}	14,4	18
Velocidade sem carga	Min.¹	0-750	0-750
Binário máx.	Nm	10/21	11/21
Capacidade do mandril	mm	10	10
Capacidade máx. de perfuração			
Aço/madeira	mm	10/25	10/25

		905531** typ. 1
Tensão de entrada	V_{cc}	230
Tensão de saída	V_{cc}	16,4 / 20,5
Corrente	mA	200
Tempo de carga aprox.	h	5 - 7

Bateria	BL1114	BL1314	BL1514	
Tensão	V_{cc}	14,4	14,4	14,4
Capacidade	Ah	1,1	1,3	1,5
Tipo	Li-Ion	Li-Ion	Li-Ion	

Bateria	BL1118	BL1318	BL1518	
Tensão	V_{cc}	18	18	18
Capacidade	Ah	1,1	1,3	1,5
Tipo	Li-Ion	Li-Ion	Li-Ion	

Nível de pressão acústica de acordo com EN 60745:	
Pressão acústica (L_p)	87,5 dB(A), imprecisão (K) 3 dB(A)
Potência acústica (L_{wa})	98,5 dB(A), imprecisão (K) 3 dB(A)

Valores totais de vibração (soma vectores triax) de acordo com EN 60745:	
Perfurar em metal (a_{hv})	<2,5 m/s², imprecisão (K) 1,5 m/s²
Aparafusamento sem percussão (a_{hv})	<2,5 m/s², imprecisão (K) 1,5 m/s²

Declaração de conformidade CE

DIRECTIVA MÁQUINAS



EPL14 / EPL18

A Black & Decker declara que os produtos descritos em "dados técnicos" estão em conformidade com as seguintes normas:
2006/42/CE, EN 60745-1, EN 60745-2-1

Para obter mais informações, contacte a Black & Decker no endereço indicado ou consulte a parte posterior do manual.

O signatário é responsável pela compilação do ficheiro técnico e efectua esta declaração em nome da Black & Decker.

Kevin Hewitt
Vice-Presidente, Engenharia Global
Black & Decker Europe, 210 Bath Road, Slough,
Berkshire, SL1 3YD
Reino Unido
10/03/2010

Garantia

A Black & Decker confia na qualidade dos seus produtos e oferece uma garantia excelente. Esta declaração de garantia é um complemento dos seus direitos estabelecidos por lei, não os prejudicando de forma alguma. A garantia é válida nos territórios dos Estados Membros da União Europeia e da Associação Europeia de Comércio Livre.

Se um produto Black & Decker avariar devido a defeitos de material, fabrico ou não conformidade, num período de 24 meses após a data da compra, a Black & Decker garante a substituição das peças defeituosas, a reparação de produtos sujeitos a um desgaste aceitável ou a substituição dos mesmos para garantir o mínimo de inconvenientes ao cliente, excepto se:

- ◆ O produto tiver sido utilizado para fins comerciais, profissionais ou de aluguer.
- ◆ O produto tiver sido submetido a utilização indevida ou descuido;
- ◆ O produto tiver sido danificado por objectos estranhos, substâncias ou acidentes;
- ◆ Tiverem sido tentadas reparações por pessoas que não sejam agentes de reparação autorizados ou técnicos de manutenção da Black & Decker.

Para accionar a garantia, terá de apresentar comprovativos de compra ao vendedor ou a um agente de reparação autorizado. Pode verificar a localização do agente de reparação autorizado mais perto de si, contactando os escritórios locais da Black & Decker através do endereço indicado neste manual. Se preferir, pode encontrar na Internet uma lista de agentes de reparação autorizados Black & Decker, detalhes completos e contactos do serviço pós-venda, no endereço: www.2helpU.com

Visite o nosso website www.blackanddecker.eu para registar o novo produto Black & Decker e manter-se actualizado relativamente a novos produtos e ofertas especiais. Pode encontrar mais informações sobre a marca Black & Decker e sobre a nossa gama de produtos em <http://www.blackanddecker.pt/>

Användningsområde

Denna borrar/skruvdragare från Black & Decker är avsedd för skruvdragning och borrar i trä, metall och plast. Verktöget är endast avsett som konsumentverktyg.

Säkerhetsanvisningar

Allmänna säkerhetsanvisningar för elverktyg



Varning! Läs alla säkerhetsföreskrifter och alla anvisningar. Fel som uppstår till följd av att säkerhetsföreskrifterna och anvisningarna nedan inte följts kan orsaka elstöt, brand och/eller allvarliga kroppsskador.

Spara alla säkerhetsföreskrifter och anvisningar för framtida bruk. Begreppet "elverktyg" nedan syftar på nätdrivna elverktyg (med nätsladd) och batteridrivna elverktyg (sladdlösa).

1. **Säkerhet i arbetsområdet**
 - a. **Håll arbetsplatsen ren och välbelyst.** Oreda eller dålig belysning på arbetsplatsen kan leda till olyckor.
 - b. **För att undvika explosionsrisk bör du inte använda elverktöget i omgivningar med brännbara vätskor, gaser eller damm.** Elverktyg alstrar gnistor som kan antända dammet eller gaserna.
 - c. **Håll barn och andra personer på betryggande avstånd när du använder elverktyg.** Om du blir distraherad kan du förlora kontrollen.
2. **Elsäkerhet**
 - a. **Elverktygets stickkontakt måste passa i eluttaget.** Stickkontakten får absolut inte ändras. Använd inte adapterkontakter tillsammans med jordade elverktyg. Med oförändrade stickkontakter och passande vägguttag minskas risken för elstöt.
 - b. **Undvik kroppskontakt med jordade ytor som t.ex. rör, värmeelement, spisar och kylskåp.** Risken för elektriska stötter ökar om din kropp är jordad.
 - c. **Skydda elverktöget mot regn och väta.** Om vatten tränger in i ett elverktyg ökar risken för elektriska stötter.
 - d. **Hantera inte nätsladden ovarsamt. Använd inte sladden för att bära eller dra elverktöget och inte heller för att dra ut kontakten ur vägguttaget.** Håll nätsladden borta från värme, olja, skarpa kanter och rörliga maskindelar. Risken att du får en elstöt är större om sladdarna är skadade eller tillrasslade.
 - e. **Använd endast förlängningssladdar som är godkända för utomhusbruk när du arbetar med elverktyg utomhus.** Om du använder en förlängningssladd som är avsedd för utomhusbruk minskar risken för att du ska få en elstöt.
- f. **Om du måste använda ett elverktyg på en fuktig plats ska du använda jordfelsbrytare.** Jordfelsbrytaren minskar risken för stötter.
3. **Personlig säkerhet**
 - a. **Var uppmärksam, se på vad du gör och använd elverktöget med förnuft. Använd inte elverktöget när du är trött eller om du är påverkad av droger, alkohol eller mediciner.** Vid användning av elverktyg kan även en kort tids uppmärksamhet leda till allvarliga kroppsskador.
 - b. **Använd skyddsutrustning. Bär alltid skyddsglasögon.** Den personliga skyddsutrustningen, t.ex. dammfiltermask, halkfria säkerhetsskor, hjälm och hörselskydd, minskar risken för kroppsskada när den används vid rätt tillfällen.
 - c. **Undvik oavsiktlig igångsättning. Kontrollera att strömbrytaren står i avstängt läge innan du ansluter verktöget till elnätet eller sätter i batteriet, samt innan du tar upp eller bär verktöget.** Det kan vara mycket farligt att bära ett elverktyg med fingret på strömbrytaren eller koppla det till nätet respektive sätta i batteriet med strömbrytaren i till-läge.
 - d. **Ta bort alla inställningsverktyg och skruvnycklar innan du startar elverktöget.** Ett verktyg eller en nyckel i en roterande komponent kan orsaka kroppsskada.
 - e. **Sträck dig inte för långt. Se till att du alltid har säkert fotfäste och balans.** Därmed har du bättre kontroll över elverktöget i oväntade situationer.
 - f. **Bär lämpliga kläder. Bär inte löst hängande kläder eller smycken. Håll undan hår, kläder och handskar från rörliga delar.** Löst hängande kläder, smycken och långt hår kan fastna i roterande delar.
 - g. **Om elverktöget har utrustning för dammsugning och -uppsamling ska du kontrollera att utrustningen är rätt monterad och används på korrekt sätt.** Utrustningen kan minska riskerna när damm bildas.
4. **Bruk och skötsel av elverktyg**
 - a. **Överbelasta inte elverktöget. Använd rätt elverktyg för det aktuella arbetet.** Med rätt elverktyg kan du arbeta bättre och säkrare med det som verktöget är avsett för.
 - b. **Använd inte elverktöget om det inte går att starta och stänga av det med strömbrytaren.** Ett elverktyg som inte kan startas och stängas av med strömbrytaren är farligt och måste repareras.
 - c. **Dra ut stickproppen ur vägguttaget och/eller ta ut batteriet ur elverktöget innan inställningar utförs, tillbehör byts eller elverktöget ställs undan.** Denna säkerhetsåtgärd förhindrar oavsiktlig start av elverktöget.
 - d. **Förvara elverktyg utom räckhåll för barn. Låt inte elverktöget användas av personer som inte är vana vid det, eller som inte läst denna bruksanvisning.** Elverktyg är farliga om de används av ovana personer.
 - e. **Sköt elverktöget omsorgsfullt. Kontrollera att rörliga**

komponenter fungerar felfritt och inte kärvar, att komponenter inte gått sönder eller skadats och inget annat föreligger som kan påverka elverktygets funktion. Om elverktyget är skadat ska du se till att få det reparerat innan det används. Många olyckor orsakas av dåligt skötta elverktyg.

- f. Håll skärverktyg vassa och rena. Omsorgsfullt skötta skärverktyg med skarp egg fastnar inte så lätt och går lättare att styra.
- g. Använd elverktyget, tillbehör, insatsverktyg osv. enligt dessa anvisningar och på sätt som föreskrivits för aktuell verktygsmodell. Ta hänsyn till arbetsvillkoren och arbetsmomenten. Om elverktyget används på felaktigt sätt kan farliga situationer uppstå.

5. Användning och skötsel av elverktyg

- a. Ladda endast med hjälp av den laddare som tillverkaren rekommenderar. En laddare som passar till en viss sorts batteri kan orsaka eldsvåda om den används med en annan sort.
- b. Använd elverktyget endast med batterier som är speciellt avsedda för ändamålet. Om du använder andra batterier kan det leda till personskada och eldsvåda.
- c. När batteriet inte används ska du hålla det åtskilt från metallföremål som gem, mynt, nycklar, spik, skruvar och andra små metallföremål som kan orsaka kortslutning mellan batteriets poler. Kortslutning av batteripolerna kan leda till brännskador eller eldsvåda.
- d. Om batteriet hanteras ovarsamt kan det tränga ut vätska från batteriet. Undvik kontakt med vätskan. Om du ändå råkar komma i kontakt med vätskan ska du skölja med vatten. Uppsök läkare om du får vätskan i ögonen. Batterivätska kan orsaka irritation eller brännskador.

6. Service

- a. Elverktyget ska bara repareras av utbildade reparatörer och med originalreservdelar. Detta säkerställer att elverktyget förblir säkert.

Ytterligare säkerhetsanvisningar för elverktyg



Varning! Ytterligare säkerhetsanvisningar för bormaskiner och slagbormaskiner

- ◆ Bär hörselskydd när du använder slagborrar. Om du utsätts för höga ljud kan din hörsel bli nedsatt.
- ◆ Använd de extrahandtag som medföljer verktyget. Om du förlorar kontrollen över verktyget kan du skada dig själv eller andra.
- ◆ Håll verktyget i de isolerade greppytorna vid arbete där borret/chucken riskerar att komma i kontakt med dolda elledningar. Om borret/chucken går igenom en

strömförande ledning kommer verktygets metalldelar att bli strömförande och ge dig en elektrisk stöt.

- ◆ Fäst arbetsstycket vid ett stabilt underlag med tvingar eller på något annat lämpligt sätt. Om du håller fast arbetsstycket med handen eller trycker det mot kroppen blir det instabilt och du kan förlora kontrollen.
- ◆ Innan du borrar i väggar, golv eller tak ska du kontrollera var rör eller elledningar finns.
- ◆ Undvik att vidröra spetsen på borret precis efter borring, eftersom den kan bli väldigt varm.
- ◆ Verktyget ska inte användas av personer (inklusive barn) med nedsatt fysisk eller mental förmåga eller bristande erfarenhet och kunskap, om de inte får vägledning och övervakas av en person som ansvarar för deras säkerhet. Barn ska hållas under uppsikt så att de inte leker med verktyget.
- ◆ Användningsområdet beskrivs i den här bruksanvisningen. Om andra tillbehör eller tillsatser används, eller om någon annan åtgärd än de som rekommenderas i den här bruksanvisningen utförs med verktyget, kan personer och/eller egendom skadas.

Säkerhet för andra

- ◆ Verktyget ska inte användas av personer (inklusive barn) med nedsatt fysisk eller psykisk förmåga eller bristande erfarenhet och kunskap, om de inte får vägledning och övervakas av en person som ansvarar för deras säkerhet.
- ◆ Barn ska hållas under uppsikt så att de inte leker med verktyget.

Övriga risker.

Ytterligare risker som inte finns med i de bifogade säkerhetsföreskrifterna kan uppstå när verktyget används. Dessa risker kan uppstå vid felaktig användning, långvarig användning, o.s.v.

Även om alla relevanta säkerhetsföreskrifter följs och säkerhetsanordningar används kan vissa ytterligare risker inte undvikas. Dessa innefattar:

- ◆ Skador orsakade av att roterande/rörliga delar vidrörs.
- ◆ Skador som uppstår vid byte av delar, blad eller tillbehör.
- ◆ Skador som orsakas av långvarig användning av ett verktyg. Se till att ta regelbundna raster när du använder ett verktyg under en längre period.
- ◆ Skador på hörseln.
- ◆ Hälsorisker orsakade av inandning av damm när verktyget används (exempel: arbete med trä, särskilt ek, bok och MDF).

Vibrationer

De vibrationsvärden som anges i avsnitten Tekniska data och EG-deklarationen om överensstämmelse har uppmätts i enlighet med en standardtestmetod föreskriven i EN 60745

och kan användas för jämförelse med andra verktyg. Det angivna vibrationsvärdet kan även användas för en preliminär bedömning av exponeringen.

Varning! Vibrationsvärdet under faktisk användning av elverktyget kan skilja sig från det uppgivna värdet beroende på hur verktyget används. Vibrationsnivån kan överstiga den angivna nivån.

Vid uppskattning av vibrationsexponering i syfte att bedöma vilka säkerhetsåtgärder som är nödvändiga enligt 2002/44/EG för att skydda personer som regelbundet använder elverktyg i arbetet ska man utgå från de faktiska omständigheter under vilka elverktyget används och sättet på vilket det används. Bedömningen ska även ta hänsyn till alla moment i arbetscykeln, t.ex. när verktyget är avstängt och när det går på tomgång såväl som när det faktiskt används.

Etiketter på verktyget

Följande symboler finns på verktyget:



Varning! Läs bruksanvisningen före användning för att minska risken för olyckor.

Ytterligare säkerhetsinstruktioner för batterier och laddare

Batterier

- ◆ Försök aldrig att öppna batterierna.
- ◆ Utsätt inte batterier för vatten.
- ◆ Förvara inte batterier på platser där temperaturen kan bli högre än 30 °C.
- ◆ Ladda batterier vid temperaturer mellan 4 °C och 40 °C.
- ◆ Ladda endast med hjälp av laddare som medföljer verktyget.
- ◆ Följ instruktionerna som anges i avsnittet "Miljö" när du kastar batterierna.

Försök inte ladda skadade batterier.



Laddare

- ◆ Laddaren från Black Decker får bara användas för att ladda batteriet i det verktyg som laddaren levererades med. Andra batterier kan spricka och orsaka personskador och andra skador.
- ◆ Försök aldrig ladda batterier som inte är uppladdningsbara.
- ◆ Byt defekta sladdar omgående.
- ◆ Utsätt inte laddaren för vatten.
- ◆ Öppna inte laddaren.
- ◆ Gör ingen åverkan på laddaren.



Laddaren är endast avsedd för användning inomhus.



Läs den här bruksanvisningen före användning.

Elsäkerhet



Eftersom laddaren är dubbelisolerad behövs ingen jordledare. Kontrollera alltid att nätspänningen överensstämmer med värdet på typslykten. Försök aldrig byta ut kontakten till laddaren mot en vanlig kontakt.

- ◆ Om nätsladden är skadad måste den för undvikande av fara bytas ut av tillverkaren eller en auktoriserad Black & Decker-verkstad.

Funktioner

Detta verktyg har några eller samtliga av följande funktioner.

1. Strömbrytare med variabel hastighet
2. Framåt-/bakåttreglage
3. Chuck
4. Ring för justering av vridmomentet
5. Batteri
6. Skruvbitshållare

Fig. A

7. Laddare
8. Laddningsindikator

Montering

Varning! Ta ur batteriet innan du sätter ihop verktyget.

Montera och ta bort batteriet (fig. B)

- ◆ Sätt i batteriet (5) genom att placera det i linje med kontakten på verktyget. Skjut in batteriet på dess plats och tryck tills batteriet snäpper på plats.
- ◆ Ta ur batteriet genom att trycka på lösgörningsknappen (12) samtidigt som du drar ut batteriet från dess plats.

Montera och ta bort en borr- eller skruvbit (fig. D)

Verktyget är utrustat med en nyckelfri chuck så att du enkelt kan byta bits.

- ◆ Läs verktyget genom att sätta framåt-/bakåttreglaget (2) i mittenläget.
- ◆ Öppna chucken genom att vrida den främre delen (3) med ena handen medan du håller verktyget med den andra.
- ◆ Sätt borret (13) i chucken.
- ◆ Dra åt chucken hårt genom att vrida den främre delen (3) med ena handen medan du håller verktyget med den andra.

Användning

Varning! Låt verktyget arbeta i sin egen takt. Överbelasta det inte.

Ladda batteriet (fig. A)

Batteriet måste laddas innan det används för första gången och sedan varje gång som det inte ger tillräckligt hög effekt för arbeten som annars brukar gå bra. Batteriet kan bli varmt när det laddas. Det är normalt och innebär inte att något är fel.

Varning! Ladda inte batteriet om lufttemperaturen är lägre än 4 °C eller högre än 40 °C. Rekommenderad laddningstemperatur: cirka 24 °C.

Obs! Laddaren laddar inte batteriet om celltemperaturen är lägre än ungefär 0 °C eller högre än 40 °C.

Batteriet får då sitta kvar i laddaren, som kommer att börja laddningen automatiskt när celltemperaturen har stigit eller sjunkit.

- Vid laddning av batteriet (5) sätter du det i laddaren (9). Batteriet kan bara placeras i laddaren på ett sätt. Använd inte våld. Se till att batteriet sitter ordentligt i laddaren.
- Anslut laddaren till vägguttaget.

Laddningsindikatorn (10) börjar blinka grönt (långsamt). När batteriet är laddat lyser laddningsindikatorn (10) med ett grönt fast sken. Batteriet kan sitta kvar i laddaren och laddaren kan vara ansluten till vägguttaget hur länge som helst när indikatorn lyser. Indikatorn kommer emellanåt att börja blinka grönt (laddningsläge) eftersom laddaren då och då fyller på batteriets laddning. Laddningsindikatorn (10) lyser när batteriet sitter i laddaren och laddaren är ansluten till ett eluttag.

- Urladdade batterier bör laddas inom en vecka. Om batterierna inte laddas när de är urladdade försämrar batteritiden avsevärt.

Lämna batteriet i laddaren

Batteriet kan sitta kvar i laddaren och laddaren kan vara ansluten till vägguttaget hur länge som helst när indikatorn lyser. Laddaren ser till att batteriet hålls fräscht och fulladdat.

Laddardiagnostik

Om laddaren upptäcker ett svagt eller skadat batteri börjar laddningsindikatorn (10) att blinka rött snabbt. Gör så här:

- Sätt i batteriet (5) igen.
- Om laddningsindikatorn fortsätter att blinka rött snabbt kan du använda ett annat batteri för att kontrollera om laddningsprocessen fungerar som den ska.
- Om det utbytta batteriet kan laddas utan problem är det gamla batteriet defekt och bör lämnas till ett servicecenter för återvinning.
- Om problemet kvarstår med det nya batteriet bör du ta med laddaren till ett auktoriserat servicecenter.

Obs! Det kan ta upp till 60 minuter att avgöra om batteriet är defekt. Om batteriet är för varmt eller för kallt blinkar indikatorn rött, omväxlande snabbt och långsamt med en blinkning i varje hastighet.

Välja rotationsriktning (fig. E)

När du borrar och drar åt skruvar använder du framåtgående (medurs) rörelse. När du lossar skruvar eller avlägsnar en borrbitt som har fastnat använder du bakåtgående (moturs) rörelse.

- Du väljer framåtgående rörelse genom att trycka framåt-/bakåtgåendet (2) åt vänster.
- Du väljer bakåtgående rörelse genom att trycka framåt-/bakåtgåendet åt höger.
- Lås verktyget genom att sätta framåt-/bakåtgåendet i mittenläget.

Välja vridmoment

Detta verktyg är utrustat med en unik ring för att du ska kunna ange vridmomentet för olika skrudragar- och borrarbeten. Stora skruvar och dragning av skruvar i hårda material kräver ett högre vridmoment än små skruvar och mjuka material. I listan nedan förklaras symbolerna.

- Vid borrning i trä, metall och plast ställer du in vridmomenteringen (4) till **2**-symbolen.
- Vid idragning av skruvar vrider du ringen till önskat läge. Om du inte vet vilket läge du ska välja gör du så här:
 - Ställ in ringen för justering av vridmomentet (4) på det lägsta vridmomentet.
 - Dra åt den första skruven.
 - Om kopplingen slår ifrån innan önskat resultat är uppnått ökar du ringinställningen och fortsätter att dra åt skruven. Upprepa tills du hittat rätt inställning. Använd denna inställning för de återstående skruvarna.

Borrning/skruvdragning

- Välj framåt- eller bakåtgående rörelse genom att använda framåt-/bakåtgåendet (2).
- Starta verktyget genom att trycka på strömbrytaren (1). Verktygets hastighet beror på hur hårt du trycker på strömbrytaren.
- Stäng av verktyget genom att släppa upp strömbrytaren.

Råd för optimal användning

Borrning

- Tryck alltid lätt i arbetsriktningen.
- Minska trycket på verktyget precis innan borrspetsen kommer igenom på arbetsstyckets andra sida.
- Använd en träbit som stöd för arbetsstycket som kan splittras.
- Använd borrar med sidoskär vid borrning av hål med stor diameter i trä.

- ◆ Använd HSS-borrbits (snabbstål) vid borrar i metall.
- ◆ Använd murverksbits vid borrar i mjukt murverk.
- ◆ Använd smörjmedel när du borrar i metall, utom i gjutjärn och mässing.
- ◆ Gör ett märke med en körnare i mitten av det hål som ska borraras för att öka noggrannheten.

Skruvdragning

- ◆ Använd alltid skruvbits av rätt sort och storlek.
- ◆ Om en skruv är svår att dra åt kan du använda lite diskmedel eller tvål som smörjmedel.
- ◆ Håll alltid verktyget och skruvbiten i en rät linje i förhållande till skruven.

Underhåll

Detta Black & Decker-verktyg har tillverkat för att fungera under lång tid med ett minimum av underhåll. Med rätt underhåll och regelbunden rengöring behåller verktyget sina prestanda.

Laddaren behöver inget annat underhåll än regelbunden rengöring.

Varning! Ta ut batteriet ur verktyget innan du utför något underhåll på verktyget. Dra ur sladden till laddaren innan du rengör den.

- ◆ Rengör regelbundet verktygets luftintag och laddaren med en mjuk borste eller torr trasa.
- ◆ Rengör kåpan regelbundet med en fuktig trasa. Använd aldrig rengöringsmedel med lösnings- eller slipmedel.
- ◆ Öppna chucken med jämna mellanrum och knacka på den för att avlägsna damm som sitter på insidan.

Miljö



Separat insamling. Produkten får inte kastas i hushållssoporna.

Tänk på miljön när du slänger denna Black & Decker-produkt. Släng den inte tillsammans med hushållsavfallet. Lämnna produkten för separat insamling.



Insamling av uttjänta produkter och förpackningsmaterial gör att material kan återanvändas.

Användning av återvunnet material minskar föroreningar av miljön och behovet av råmaterial.

Lokala föreskrifter kan kräva separat insamling av elprodukter från hushållen, vid kommunala samlingsplatser eller hos återförsäljaren när du köper en ny produkt.

Black & Decker samlar in och återvinner uttjänta Black & Decker-produkter. Om du vill utnyttja denna tjänst återlämnar du produkten till en auktoriserad verkstad, som samlar in den för vår räkning.

För information om närmaste auktoriserade verkstad, kontakta det lokala Black & Decker-kontoret på den adress som är angiven i bruksanvisningen. En lista över alla auktoriserade verkstäder samt servicevillkor finns på Internet: www.2helpU.com

Batterier



Låt batteriet laddas ur helt och ta sedan ut det ur verktyget.

- ◆ Batterier av typerna nickelkadmium (NiCd), nickelmetallhydrid (NiMH) och litiumjon kan återvinnas. Ta med dem till en auktoriserad verkstad eller en återvinningsstation.

Tekniska data

		EPL14 (H1)	EPL18 (H1)
Spänning	V_{bc}	14,4	18
Tongångshastighet	Min ¹	0–750	0–750
Max vridmoment	Nm	10/21	11/21
Chuckkapacitet	mm	10	10
Maximal borrkapacitet			
Stål/trå	mm	10/25	10/25

Laddare	905531** typ. 1	
Spänning	V_{bc}	230
Utlspänning	V_{bc}	16,4 / 20,5
Strömstyrka	mA	200
Laddningstid, cirka	h	5–7

Batteri	BL1114	BL1314	BL1514
Spänning	V_{bc}	14,4	14,4
Kapacitet	Ah	1,1	1,3
Typ	Litiumjon	Litiumjon	Litiumjon

Batteri		BL1118	BL1318	BL1518
Spänning	V_{oc}	18	18	18
Kapacitet	Ah	1,1	1,3	1,5
Typ		Litiumjon	Litiumjon	Litiumjon

Ljudnivå enligt EN 60745:Ljudnivå (L_{w}) 87,5 dB(A), osäkerhet (K) 3 dB(A)Ljudeffekt (L_{wa}) 98,5 dB(A), osäkerhet (K) 3 dB(A)**Totala vibrationsvärden (vektorsumman av tre axlar) enligt EN 60745:**Borring i metall ($a_{h,v}$) <2,5 m/s², osäkerhet (K) 1,5 m/s²Skruvdragning utan slagfunktion ($a_{h,v}$) <2,5 m/s², osäkerhet (K) 1,5 m/s²**EG-deklaration om överensstämmelse**
MASKINDIREKTIV

EPL14 / EPL18

Black & Decker garanterar att produkterna som beskrivs under "Tekniska data" uppfyller:
2006/42/EG, EN 60745-1, EN 60745-2-1

Mer information får du genom att kontakta Black & Decker på följande adress eller titta i slutet av bruksanvisningen.

Undertecknad är ansvarig för sammanställningen av tekniska data och gör denna försäkran för Black & Decker.

Kevin Hewitt
Vice-President Global Engineering
Black & Decker Europe, 210 Bath Road, Slough,
Berkshire, SL1 3YD
Storbritannien
10/03/2010

Garanti

Black & Decker garanterar att produkten är fri från material- och/eller fabriktionsfel vid leverans till kund. Garantin gäller utöver konsumentens rättigheter enligt lag och påverkar inte dessa. Garantin gäller inom medlemsstaterna i Europeiska Unionen och i det Europeiska Frihandelsområdet.

Om en Black & Decker-produkt går sönder på grund av material- och/eller fabriktionsfel eller brister i överensstämmelse med specifikationen, inom 24 månader från köpet, åtar sig Black & Decker att reparera eller byta ut produkten med minsta besvär för kunden, förutom om:

- ◆ Produkten har använts i kommersiellt eller yrkesmässigt syfte eller i uthyrningssyfte.
- ◆ Produkten har utsatts för felaktig användning eller skötsel.
- ◆ Produkten har skadats av främmande föremål, ämnen eller genom olyckshändelse.
- ◆ Reparation har utförts av någon annan än en auktoriserad Black & Decker-verkstad.

Vid garantianspråk ska produkten och inköpskvittot lämnas till återförsäljaren eller till en auktoriserad verkstad. För information om närmaste auktoriserade verkstad, kontakta det lokala Black & Decker-kontoret på den adress som är angiven i bruksanvisningen. En lista över alla auktoriserade verkstäder samt servicevillkor finns på Internet: www.2helpU.com

Besök vår webbplats www.blackanddecker.se för att registrera din nya Black & Decker-produkt samt för att erhålla information om nya produkter och specialerbjudanden. Vidare information om märket Black & Decker och vårt produktsortiment återfinns på www.blackanddecker.se

Bruksområde

Din drill/skrutrekker fra Black & Decker er utformet for bruk som skrutrekker og for boring i tre, metall og plast. Verktøyet er beregnet bare som konsumentverktøy.

Sikkerhetsinstruksjoner

Generelle sikkerhetsadvarsler for elektroverktøy



Advarsel! Les alle sikkerhetsadvarsler og alle instruksjoner. Hvis advarslene og anvisningene nedenfor ikke overholdes, kan det medføre elektrisk støt, brann og/eller alvorlige personskader.

Ta vare på alle advarsler og instruksjoner for fremtidig bruk. Begrepet "elektroverktøy" i advarslene nedenfor gjelder nettdrevet elektroverktøy (med ledning) eller batteridrevet elektroverktøy (uten ledning).

1. Sikkerhet i arbeidsområdet
 - a. Hold arbeidsområdet rent og godt opplyst. Rotete eller mørke områder fører lett til ulykker.
 - b. Ikke arbeid med elektroverktøy i eksplosjonsfarlige omgivelser – der det befinner seg brennbare væsker, gass eller støv. Elektroverktøy forårsaker gnister som kan antenne støv eller gass/damp.
 - c. Hold barn og andre personer unna når du bruker et elektroverktøy. Hvis du blir forstyrret under arbeidet, kan du miste kontrollen.
2. Elektrisk sikkerhet
 - a. Støpselet til elektroverktøy må passe i stikkkontakten. Støpselet må ikke forandres på noen som helst måte. Ikke bruk adapterstøpsler sammen med jordede elektroverktøy. Bruk av originale støpsler og passende stikkontakter reduserer risikoen for elektrisk støt.
 - b. Unngå kroppskontakt med jordede overflater som rør, radiatorer, komfyrer og kjøleskap. Det er større fare for elektrisk støt dersom kroppen din er jordet.
 - c. Hold elektroverktøy unna regn eller fuktighet. Dersom det kommer vann i et elektroverktøy, øker faren for elektrisk støt.
 - d. Unngå uforsvarlig behandling av ledningen. Bruk aldri ledningen til å bære eller trekke elektroverktøyet eller til å trekke ut støpselet. Hold ledningen unna varme, olje, skarpe kanter eller bevegelige deler. Skadde eller sammenflokede ledninger øker risikoen for elektrisk støt.
 - e. Når du bruker et elektroverktøy utendørs, må du bruke en skjøteledning som er egnet for utendørs bruk. Når du bruker en skjøteledning som er egnet for utendørs bruk, reduseres risikoen for elektrisk støt.
 - f. Hvis du ikke kan unngå å bruke et elektroverktøy på et fuktig sted, bruker du strømforsyning som er beskyttet med jordfeilbryter. Bruk av jordfeilbryter reduserer risikoen for elektrisk støt.
3. Personssikkerhet
 - a. Vær oppmerksom, pass på hva du gjør, og vis fornuft når du arbeider med et elektroverktøy. Ikke bruk elektroverktøy når du er trett eller er påvirket av narkotika, alkohol eller medikamenter. Et øyeblikks uoppmerksomhet under bruk av verktøyet kan føre til alvorlige personskader.
 - b. Bruk personlig verneutstyr. Bruk alltid vernebriller. Bruk av personlig verneutstyr, for eksempel støvmaske, sklislire vernesko, hjelm eller hørselvern som passer til forholdene, reduserer risikoen for personskader.
 - c. Forhindre utilsiktet start. Kontroller at bryteren står i posisjon "av" før du kobler til strømkilden og/eller batteripakken, og før du tar opp eller bærer verktøyet. Det kan føre til ulykker hvis du bærer elektroverktøyet med fingeren på bryteren, eller setter strøm på verktøyet når bryteren står på.
 - d. Fjern eventuelle innstillingsverktøy eller skruverktøy før du slår på elektroverktøyet. Et skruverktøy eller en nøkkel som fortsatt er festet til en roterende del av elektroverktøyet, kan føre til personskade.
 - e. Ikke strekk deg for langt. Pass på at du alltid har sikkert fotfeste og god balanse. Da kan du kontrollere elektroverktøyet bedre i uventede situasjoner.
 - f. Bruk egnede klær. Ikke bruk løstsittende klær eller smykker. Hold hår, klær og hansker unna bevegelige deler. Løstsittende tøy, smykker eller langt hår kan bli sittende fast i bevegelige deler.
 - g. Hvis det kan monteres støvavsug- og oppsamlingsinnretninger, må du forvisse deg om at disse er tilkoblet og brukes på riktig måte. Bruk av støvopsamling kan redusere farer i forbindelse med støv.
4. Bruk og behandling av elektroverktøy
 - a. Ikke bruk makt på elektroverktøyet. Bruk riktig elektroverktøy for bruksområdet. Med et passende elektroverktøy arbeider du bedre og sikrere med den farten det er beregnet for.
 - b. Ikke bruk elektroverktøyet hvis du ikke kan slå det på og av med bryteren. Et elektroverktøy som ikke kan kontrolleres med bryteren, er farlig og må repareres.
 - c. Trekk støpselet ut av stikkkontakten og/eller koble fra batteripakken på elektroverktøyet før du utfører innstillinger, bytter tilbehør eller legger elektroverktøyet bort. Disse forebyggende sikkerhetstiltakene reduserer risikoen for utilsiktet start av elektroverktøyet.
 - d. Elektroverktøy som ikke er i bruk, må oppbevares utilgjengelig for barn. Ikke la verktøyet bli brukt av

personer som ikke er fortrolig med det, eller som ikke har lest denne bruksanvisningen. Elektroverktøy er farlige når de brukes av uerfarne personer.

- e. **Sørg for vedlikehold av elektroverktøy.** Undersøk om bevegelige deler er feiljustert eller blokkert, om deler er skadet, og om det er andre forhold som kan påvirke elektroverktøyet funksjon. Hvis elektroverktøyet er skadet, må det repareres før bruk. Dårlig vedlikeholdt elektroverktøy er årsaken til mange ulykker.
- f. **Hold skjæreverktøy skarpe og rene.** Godt vedlikeholdte skjæreverktøy med skarpe egger setter seg ikke så ofte fast og er lettere å føre.
- g. **Bruk elektroverktøy, tilbehør, bits osv. i henhold til disse instruksjonene.** Ta hensyn til arbeidsforholdene og arbeidet som skal utføres. Bruk av elektroverktøy til andre formål enn det som er angitt, kan føre til farlige situasjoner.

5. Bruk og stell av batteriverktøyet

- a. **Gjenoppladningen skal bare skje med den laderen som produsenten har spesifisert.** En lader som er egnet til én type batteripakke, kan føre til brannrisiko når den brukes med en annen batteripakke.
- b. **Bruk elektroverktøy bare med spesifikt angitte batteripakker.** Bruk av andre batteripakker kan føre til fare for personskader og brann.
- c. **Når batteripakken ikke er i bruk, må du oppbevare den atskilt fra andre metallgjenstander som binders, mynter, nøkler, spiker, skruer eller andre små metallgjenstander som kan opprette en forbindelse fra en terminal til en annen.** Kortslutning av batteriterminalene kan føre til forbrenning eller brann.
- d. **Under uheldige forhold kan det lekke væske fra batteriet. Unngå å komme i kontakt med væsken.** Dersom du ved et uhell kommer i kontakt med væsken, må du skylle med vann. **Får du batterivæske i øynene, må du i tillegg oppsøke lege.** Væske som lekker fra batteriet, kan forårsake iritasjoner eller forbrenninger.

6. Service

- a. **Elektroverktøy skal alltid repareres av kvalifisert personell og kun med originale reservedeler.** Dette sikrer at elektroverktøyet sikkerhet opprettholdes.

Ytterligere sikkerhetsadvarsler for elektroverktøy



Advarsel! Ytterligere sikkerhetsadvarsler for driller og slagdriller

- ◆ **Bruk hørselvern når du bruker slagdrill.** Hvis du utsettes for støy, kan hørselen bli redusert.
- ◆ **Bruk hjelpehåndtak som følger ned verktøyet.** Tap av

kontroll kan føre til personskade.

- ◆ **Hold elektroverktøyet i de isolerte grepene når du utfører et arbeid hvor skjæretilbehøret/festeanordningen kan komme i kontakt med skjulte ledninger.** Hvis skjæretilbehøret/festeanordningen kommer i kontakt med en strømførende ledning, kan frittliggende metalldele på verktøyet bli strømførende, og brukeren kan få elektrisk støt.
- ◆ **Bruk klemmer eller andre praktiske metoder for å spenne fast og støtte arbeidsstykket på en stabil plattform.** Hvis arbeidsstykket holdes med hånden eller inn mot kroppen, vil det være ustabil, og dette kan lett føre til at du mister kontrollen.
- ◆ **Før du borer i vegger, gulv eller tak, kontrollerer du plasseringen av kabler og rør.**
- ◆ **Unngå å komme i berøring med spissen på et bor rett etter boring, da den kan være varm.**
- ◆ **Det er ikke meningen at dette verktøyet skal brukes av personer (inkludert barn) med reduserte fysiske, sansemessige eller mentale evner, eller som mangler erfaring og kunnskap, med mindre de har fått oppfølging eller instruksjon når det gjelder bruken av apparatet, fra en person som er ansvarlig for deres sikkerhet.** Barn skal være under oppsyn så du er sikker på at de ikke leker med verktøyet.
- ◆ **Beregnet bruk er beskrevet i denne håndboken.** Bruk av tilbehør eller utføring av oppgaver som ikke er anbefalt for verktøyet i denne håndboken, kan medføre fare for personskade og/eller skade på eiendom.

Andre personers sikkerhet

- ◆ **Det er ikke meningen at dette produktet skal brukes av personer (inkludert barn) med reduserte fysiske, sansemessige eller mentale evner, eller som mangler erfaring og kunnskap, med mindre de har fått oppfølging eller instruksjon når det gjelder bruken av produktet, fra en person som er ansvarlig for deres sikkerhet.**
- ◆ **Barn skal være under oppsyn så du er sikker på at de ikke leker med verktøyet.**

Andre risikoer

Ved bruk av produktet kan det oppstå ytterligere risikoer som kanskje ikke er inkludert i sikkerhetsadvarslene som følger med. Disse risikoene kan bli forårsaket av feil bruk, langvarig bruk osv.

Selv om de relevante sikkerhetsbestemmelsene blir fulgt, og sikkerhetstiltakene blir gjennomført, kan visse gjenværende risikoer ikke unngås. Disse omfatter:

- ◆ Personskader som forårsakes av berøring av en roterende/bevegelig del.
- ◆ Personskader som forårsakes av at en del, et blad eller tilbehør endres.

- ◆ Personskader som forårsakes av langvarig bruk av et verktøy. Når du bruker et verktøy i lange perioder, må du sørge for å ta regelmessige pauser.
- ◆ Svekket hørsel.
- ◆ Helsefarer som forårsakes av innånding av støv som dannes når du bruker verktøyet (eksempel: arbeid med tre, spesielt eik, bøk og MDF).

Vibrasjon

Vibrasjonsemissjonsverdien som er angitt under tekniske data og samsvarserklæring, er blitt målt i henhold til en standard testmetode som er angitt i EN 60745, og kan brukes til å sammenligne et verktøy med et annet. Den oppgitte vibrasjonsemissjonsverdien kan også brukes til en foreløpig vurdering av eksponering.

Advarsel! Vibrasjonsemissjonsverdien under faktisk bruk av elektroverktøyet kan avvike fra den oppgitte verdien avhengig av måten verktøyet blir brukt på. Vibrasjonsnivået kan øke over nivået som er oppgitt.

Når man vurderer vibrasjonseksponering for å bestemme sikkerhetstiltak som kreves i 2002/44/EF, for å beskytte personer som bruker elektroverktøy regelmessig i arbeidet, skal man når man anslår vibrasjonseksponeringen, ta hensyn til de faktiske bruksforholdene og måten verktøyet blir brukt på, inkludert hensyn til alle deler av brukssyklusen – også de gangene verktøyet slås av, og når det går på tomgang, i tillegg til tiden utløseren er inne.

Merking på verktøyet

Følgende symboler vises på verktøyet:



Advarsel! Brukeren må lese håndboken for å redusere risikoen for personskade.

Ytterligere sikkerhetsinstruksjoner for batterier og ladere

Batterier

- ◆ Forsøk ikke å åpne uansett hvilket formål du måtte ha.
- ◆ Ikke utsett batteriet for vann.
- ◆ Oppbevar ikke på steder der temperaturen kan overskride 30 °C.
- ◆ Lad bare ved temperaturer mellom 4 °C og 40 °C.
- ◆ Bruk bare laderen som følger med verktøyet.
- ◆ Følg instruksene som finnes i avsnittet "Miljø" når du skal kaste batterier.

Ikke forsøk å lade opp skadede batterier.



Ladere

- ◆ Black & Decker-laderen skal bare brukes til å lade batteriet i apparatet som laderen kom sammen med. Andre batterier kan sprekke og føre til personskade og materiell skade.
- ◆ Prøv aldri å lade ikke-oppladbare batterier.
- ◆ Skift ut defekte ledninger umiddelbart.
- ◆ Ikke utsett laderen for vann.
- ◆ Ikke åpne laderen.
- ◆ Ikke stikk gjenstander eller fingre ned i laderen.



Laderen er bare beregnet for bruk innendørs.



Les denne håndboken før bruk.

Elektrisk sikkerhet



Denne laderen er dobbeltisolert. Jording er derfor ikke nødvendig. Kontroller alltid at nettspenningen er i overensstemmelse med spenningen på typeskiltet. Prøv aldri å skifte ut laderen med et vanlig nettstøpsel.

- ◆ Hvis strømledningen blir skadet, må den skiftes av produsenten eller et autorisert Black & Decker-servicesenter for å unngå fare.

Funksjoner

Dette verktøyet inneholder enkelte av eller alle funksjonene nedenfor.

1. Bryter for variabel hastighet
2. Glidebryter for fremover/bakover
3. Chuck
4. Momentjusteringsmansjett
5. Batteri
6. Bitholder

Figur A

7. Lader
8. Ladningsindikator

Montering

Advarsel! Fjern batteriet fra verktøyet før montering.

Sette inn og ta ut batteriet (figur B)

- ◆ Når du skal sette inn batteriet (5), holder du det overfor kontakten på verktøyet. Skyv batteriet inn i kontakten, og skyv til det klikker på plass.

- ◆ Når du skal ta ut batteriet, trykker du på utløserknappen (12) og trekker samtidig batteriet ut av kontakten.

Sette på og ta av bor eller skrutrekkerbit (figur D)

Dette verktøyet er utstyrt med en chuck uten nøkkel så bor og bits kan byttes enkelt.

- ◆ Lås verktøyet ved å sette glidebryteren for fremover/bakover (2) i midstillingen.
- ◆ Åpne chucken ved å dreie den (3) med den ene hånden mens du holder verktøyet med den andre.
- ◆ Sett bitskafet (13) inn i chucken.
- ◆ Stram chucken godt ved å dreie den (3) med den ene hånden mens du holder verktøyet med den andre.

Bruk

Advarsel! La verktøyet arbeide med sin egen hastighet. Ikke overbelast det.

Ladning av batteriet (figur A)

Batteriet må lades før første bruk og hver gang det ikke lenger gir nok strøm til jobber som tidligere lett ble utført. Batteriet kan bli varmt under ladning. Dette er normalt og innebærer ikke feil.

Advarsel! Ikke lad batteriet hvis temperaturen i omgivelsene er under 4 °C eller over 40 °C. Anbefalt ladetemperatur: ca. 24 °C.

Merknad: Laderen vil ikke lade et batteri hvis celledemperaturen er under ca. 0 °C eller over 40 °C.

Du bør la batteriet stå i laderen, og laderen begynner å lade automatisk når celledemperaturen blir høyere eller lavere.

- ◆ Når du skal lade batteriet (5), tar du det ut av verktøyet og setter det inn i laderen (9). Batteriet kan bare settes i laderen på én måte. Ikke bruk makt. Pass på at batteriet sitter helt inne i laderen.
- ◆ Plugg i laderen og slå på ved å koble til nettstrøm. Laddningsindikatoren (10) blinker grønt kontinuerlig (langsomt). Ladingen er fullført når laddningsindikatoren(10)lyser grønt kontinuerlig. Laderen og batteriet kan være tilkoblet så lenge du vil mens LED-en lyser. LED-en begynner å blinke grønt (lader) når laderen av og til "fyller på" batteriladningen. Laddningsindikatoren (10) vil lyse så lenge batteripakken er tilkoblet laderen, og denne er koblet til nettstrømmen.
- ◆ Lad utladete batterier innen 1 uke. Batterienes levetid vil bli mye mindre hvis de oppbevares utladet.

Batteriet er i laderen

Laderen og batteripakken kan forbli tilkoblet med lysende LED i ubegrenset tid. Laderen vil holde batteribakken klar og fulladet.

Laderdiagnose

Hvis laderen oppdager et svakt eller skadet batteri, blinker laddningsindikatoren(10)rødt med rask takt. Du går frem slik:

- ◆ Sett inn batteriet(5)igjen.
- ◆ Hvis laddningsindikatorer fortsetter å blinke rødt med rask takt, bruker du et annet batteri til å finne ut om laddningsprosessen fungerer riktig.
- ◆ Hvis den nye batteripakken lades korrekt, er den opprinnelige batteripakken defekt og bør leveres til et servicesenter for resirkulering.
- ◆ Hvis det nye batteriet gir samme indikasjon som det opprinnelige batteriet, bringer du laderen til et autorisert servicesenter.

Merknad: Det kan ta så mye som 60 minutter å avgjøre om batteriet er defekt. Hvis batteriet er for varmt eller for kaldt, blinker LED-en rødt vekslende raskt og langsomt, ett blink ved hver hastighet med gjentagelse.

Velge rotasjonsretning (figur E)

For boring og stramming av skruer brukes rotasjon fremover (med klokken). For løsløsning av skruer eller fjerning av bor som sitter fast, brukes rotasjon bakover (mot klokken).

- ◆ Når du skal velge rotasjon fremover, skyver du glidebryteren for fremover/bakover (2) til venstre.
- ◆ Når du skal velge rotasjon bakover, skyver du glidebryteren til høyre.
- ◆ Når du skal låse verktøyet, setter du glidebryteren for fremover/bakover i midstillingen.

Velge moment

Dette verktøyet er utstyrt med en mansjett for å stille inn momentet for ulike skrutrekker- og boreanvendelser. Store skruer og arbeidsstykker i harde materialer krever høyere moment er små skruer og arbeidsstykker med bløte materialer. Du finner definisjonen av symbolet i oversikten nedenfor.

- ◆ For boring i tre, metall og plast settes momentjusteringsmansjett (4) på symbolet **1**.
- ◆ Ved bruk som skrutrekker settes mansjett i ønsket stilling. Hvis du ikke vet hva som er riktig innstilling ennå, går du frem slik:
 - Sett momentjusteringsmansjett (4) på laveste momentinnstilling.
 - Skru til den første skruen.
 - Hvis koblingen lager en klikkelyd for du oppnår ønsket resultat, øker du innstillingen av mansjett og fortsetter å stramme skruen. Gjenta til du når korrekt innstilling. Bruk denne innstillingen for de gjenværende skruene.

Boring / bruk som skrutrekker

- ◆ Velg rotasjon fremover eller bakover med glidebryteren for fremover/bakover (2).
- ◆ Trykk på bryteren (1) for å slå verktøyet på. Hastigheten til verktøyet avhenger av hvor langt du trykker bryteren.
- ◆ Slipp bryteren for å slå verktøyet av.

Råd for optimal bruk

Boring

- ◆ Benytt alltid lett trykk i rett linje langs boret.
- ◆ Like før boret bryter gjennom på den andre siden av arbeidsstykket, reduserer du trykket på verktøyet.
- ◆ Bruk et trestykke på baksiden av arbeidsstykker som kan bli splintret.
- ◆ Bruk spissbor når du borer hull med stor diameter i tre.
- ◆ Bruk HSS-bor når du borer i metall.
- ◆ Bruk murbor når du borer i bløt mur.
- ◆ Bruk et smøremiddel når du borer i metall bortsett fra støpejern og messing.
- ◆ Lag en fordypning med en dør midt i hullet som skal bores, for å øke nøyaktigheten.

Bruk som skrutrekker

- ◆ Bruk alltid riktig type og størrelse av skrutrekkerbit.
- ◆ Hvis skruer er vanskelige å stramme, prøver du å bruke litt vaskemiddel i væskeform eller såpe som smøremiddel.
- ◆ Hold alltid verktøyet og skrutrekkerbiten i rett linje med skruen.

Vedlikehold

Black & Decker-verktøyet ditt er konstruert for å være i drift over lengre tid med et minimum av vedlikehold. Det er avhengig av riktig stell og regelmessig rengjøring for å fungere som det skal til enhver tid.

Laderen krever ikke annet vedlikehold enn regelmessig rengjøring.

Advarsel! Før du utfører vedlikehold på verktøyet, må du fjerne batteriet fra verktøyet. Koble laderen fra nettstrømmen før du rengjør den.

- ◆ Rengjør ventilasjonsåpningene i verktøyet og laderen jevnlig med en myk børste eller tørr klut.
- ◆ Rengjør motorhuset jevnlig med en fuktig klut. Ikke bruk slipende eller løsemiddelbaserte rengjøringsmidler.
- ◆ Åpne chucken regelmessig, og bank på den for å fjerne eventuelt støv fra innsiden.

Miljø



Separat avfallshåndtering. Dette produktet må ikke kastes sammen med husholdningsavfall.

Hvis du synes Black & Decker-produktet bør skiftes ut, eller du ikke har bruk for det lenger, må du ikke kaste det sammen med husholdningsavfall. Sørg for separat avfallshåndtering for dette produktet.



Hvis brukte produkter og emballasje leveres atskilt, kan materialer resirkuleres og brukes på nytt. Gjenbruk av resirkulerte materialer bidrar til redusert miljøforurensning og reduserer behovet for råmaterialer.

Det kan være lokale bestemmelser for separat avfallshåndtering for elektriske produkter fra husstander på kommunale avfallsplasser eller hos forhandleren, når du kjøper et nytt produkt.

Black & Decker har en ordning for innsamling og resirkulering av Black & Decker-produkter som ikke skal brukes lenger. Du kan benytte denne tjenesten ved å levere produktet til et hvilket som helst autorisert serviceverksted.

Du kan finne ut hvor nærmeste autoriserte serviceverksted er, ved å kontakte din lokale Black & Decker-avdeling på adressen som er oppgitt i denne håndboken. En oversikt over autoriserte Black & Decker-serviceverksteder og alle opplysninger om ettersalgsservice og kontakter er også tilgjengelig på Internett: www.2helpU.com

Batterier



La batteriet gå helt tomt og fjern det så fra verktøyet.

- ◆ NiCd-, NiMH- og litiumjonebatterier kan gjenvinnes. Ta dem med til et autorisert serviceverksted eller til en lokal spesialavfallsstasjon.

Tekniske data

		EPL14 (H1)	EPL18 (H1)
Spenning	V_{oc}	14,4	18
Hastighet ubelastet	Min	0-750	0-750
Maks. dreiemoment	Nm	10/21	11/21
Kapasitet for chuck	mm	10	10
Maks. borekapasitet			
Stål/tre	mm	10/25	10/25

Lader	905531** type. 1		
Inngangsspenning	V_{oc}	230	
Utgangsspenning	V_{oc}	16.4 / 20.5	
Strøm	mA	200	
Omtrentlig ladetid	t	5-7	

Batteri	BL1114	BL1314	BL1514	
Spenning	V_{oc}	14,4	14,4	14,4
Kapasitet	At	1,1	1,3	1,5
Type	Li-Ion	Li-Ion	Li-Ion	

Batteri	BL1118	BL1318	BL1518	
Spenning	V_{oc}	18	18	18
Kapasitet	At	1,1	1,3	1,5
Type	Li-Ion	Li-Ion	Li-Ion	

Lydtrykknivå i henhold til EN 60745:	
Lydtrykk (L_{w})	87,5 dB(A), usikkerhet (K) 3 dB(A)
Lydeffekt (L_{w})	98,5 dB(A), usikkerhet (K) 3 dB(A)

Totale vibrasjonsverdier (vektorsum fra tre retninger) bestemt i samsvar med EN 60745:	
Boring med slag i betong (a_{hv})	9,96 m/s ² , usikkerhet (K) 1,5 m/s ²
Boring i metall (a_{hv})	<2.5 m/s ² , usikkerhet (K) 1,5 m/s ²
Bruk som skrutrekker uten slag (a_{hv})	<2.5 m/s ² , usikkerhet (K) 1,5 m/s ²

EF-samsvarserklæring
MASKINDIREKTIV

EPL14 / EPL18

Black & Decker erklærer at disse produktene som er beskrevet under "Tekniske data", er i samsvar med: 2006/42/EF, EN 60745-1, EN 60745-2-1

Hvis du ønsker mer informasjon, kontakt Black & Decker på følgende adresse, eller se på baksiden av håndboken.

Undertegnede er ansvarlig for utarbeidelsen av den tekniske dokumentasjonen og gir denne erklæringen på vegne av Black & Decker.

Kevin Hewitt
Vice-President Global Engineering
Black & Decker Europe, 210 Bath Road, Slough
Berkshire, SL1 3YD
Storbritannia
10.3.2010

Garanti

Black & Decker er trygg på kvaliteten på sine produkter og tilbyr en enestående garanti. Denne garantierklæringen kommer i tillegg til dine lovbestemte rettigheter og er ikke i konflikt med disse. Garantien er gyldig i EU- og EFTA-medlemsstatene.

Hvis et Black & Decker-produkt går i stykker på grunn av material- og/eller fabrikkasjonsfeil eller har mangler i forhold til spesifikasjonene innen 24 måneder fra kjøpet, påtar Black & Decker seg å skifte ut defekte deler, reparere produkter som har vært utsatt for alminnelig slitasje, eller bytte ut slike produkter med minst mulig vanskelighet for kunden, med mindre:

- ◆ Produktet har vært brukt i yrkes-/næringsvirksomhet eller til utleie.
- ◆ Produktet har vært utsatt for feilaktig bruk eller dårlig vedlikehold.
- ◆ Produktet har blitt skadet av fremmede gjenstander eller stoffer eller ved et uhell.
- ◆ Andre enn autoriserte serviceverksteder eller Black & Deckers serviceteknikere har forsøkt å reparere produktet.

For å ta garantien i bruk må du vise kjøpskvittering til forhandleren eller til et autorisert serviceverksted. Du kan finne ut hvor nærmeste autoriserte serviceverksted er, ved å kontakte din lokale Black & Decker-avdeling på adressen som er oppgitt i denne håndboken. En oversikt over autoriserte Black & Decker-serviceverksteder og alle opplysninger om ettersalgsservice og kontakter er også tilgjengelig på Internett: www.2helpU.com

Besøk vårt webområde www.blackanddecker.no for å registrere ditt nye Black & Decker-produkt og for å holde deg oppdatert om nye produkter og spesialtilbud. Du finner mer informasjon om Black & Decker og produktutvalget vårt på www.blackanddecker.no.

Anvendelsesområde

Din ledningsfri Black & Decker bore/skruemaskine er designet til skruoopgaver samt til boring i træ, metal og plastik. Værktøjet er kun beregnet til privat brug.

Sikkerhedsanvisninger

Generelle sikkerhedsadvarsler vedrørende **elværktøj**



Advarsel! Læs alle sikkerhedsadvarsler og instruktioner. Hvis nedenstående instruktioner og advarsler ikke følges, er der risiko for elektrisk stød, brand og/eller alvorlige personskader.

Gem alle advarsler og anvisninger til senere brug. Begrebet "elværktøj", der benyttes i nedenstående advarsler, henviser til netdrevet elværktøj (med netledning) eller batteridrevet elværktøj (uden netledning).

1. Sikkerhed i arbejdsområdet
 - a. Hold arbejdsområdet er rent og ordentligt oplyst. Uordentlige og mørke områder øger faren for uheld.
 - b. **Brug ikke elværktøj i eksplosive omgivelser, f.eks. hvor der er brændbare væsker, gasser eller støv.** Elværktøj kan forårsage gnister, der kan antænde støv eller dampe.
 - c. Hold børn og andre personer på afstand, når et **elværktøj er i brug**. Du kan miste kontrollen over værktøjet, hvis du distraheres.
 2. Elektricitet og sikkerhed
 - a. **Elværktøjsstik skal passe til stikkontakten. Stikket må under ingen omstændigheder ændres. Brug ikke adapterstik sammen med jordforbundet elværktøj.** Uændrede stik, der passer til stikkontakterne, nedsætter risikoen for elektrisk stød.
 - b. **Undgå kropskontakt med jordforbundne overflader** som f.eks. rør, radiatorer, komfurer og køleskabe. Hvis din krop er jordforbundet, øges risikoen for elektrisk stød.
 - c. **Elværktøj må ikke udsættes for regn eller fugt.** Indtrængen af vand i elværktøj øger risikoen for elektrisk stød.
 - d. **Ødelæg ikke ledningen. Bær, træk eller afbryd ikke elværktøjet vha. ledningen. Beskyt ledningen mod varme, olie, skarpe kanter eller maskindele, der er i bevægelse.** Beskadede eller sammenfildrede ledninger øger risikoen for elektrisk stød.
 - e. **Hvis elværktøj benyttes i det fri, skal der benyttes en forlængerledning, som er godkendt til udendørs brug.** Brug af en forlængerledning til udendørs brug nedsætter risikoen for elektrisk stød.
 - f. Brug en strømkilde med fejlstrømsbeskyttelse, hvis **det er uundgåeligt at anvende elværktøj på fugtige steder.** Med en fejlstrømsbeskyttelse reduceres risikoen for elektrisk stød.
3. Personlig sikkerhed
 - a. **Vær opmærksom, hold øje med, hvad du laver, og brug elværktøjet fornuftigt. Brug ikke et elværktøj, hvis du er træt eller påvirket af stoffer, medicin eller alkohol.** Få sekundær uopmærksomhed ved brug af elværktøjet kan føre til alvorlige personskader.
 - b. **Brug personlige værnemidler. Brug altid beskyttelsesbriller.** Brug af værnemidler som f.eks. støvmaske, skridsikkert fodtøj, beskyttelseshjelm eller høreværn nedsætter risikoen for personskader, hvis udstyret anvendes korrekt.
 - c. **Sørg for, at værktøjet ikke kan starte utilsigtet.** Kontroller, at afbryderkontakten står på slukket, inden **værktøjet tilsluttes strømkilden og/eller batteriet, samles op eller bæres.** Bæres elværktøj, mens fingeren er på kontakten, eller tilsluttes det, mens kontakten står på tændt, kan der nemt ske en ulykke.
 - d. **Fjern indstillingsværktøj eller skruenøgle, inden elværktøjet tændes.** Et værktøj eller en nøgle, der efterlades i en roterende del i elværktøjet, kan resultere i personskader.
 - e. **Stræk dig ikke for langt. Sørg for, at du altid har sikkert fodfæste og balance.** Det gør det nemmere at kontrollere elværktøjet, hvis der skulle opstå uventede situationer.
 - f. Brug egnet arbejdstøj. Undgå løse **beklædningsgenstande eller smykker. Hold hår, tøj og handsker væk fra dele, der bevæger sig.** Bevægelige dele kan gribe fat i løstsiddende tøj, smykker eller langt hår.
 - g. Hvis støvudsugnings- og opsamlingsudstyr kan monteres, er det vigtigt, at dette tilsluttes og benyttes korrekt. Brug af udstyr til opsamling af støv kan nedsætte risikoen for støvrelateret personskade.
 4. **Brug og vedligeholdelse af elværktøj**
 - a. **Undgå at overbelaste elværktøjet. Brug altid det rette elværktøj til opgaven.** Med det rigtige elværktøj udføres arbejdet lettere og sikrere og i det tempo, som værktøjet er beregnet til.
 - b. **Brug ikke elværktøjet, hvis afbryderen er defekt.** Elværktøj, der ikke kan reguleres med afbryderen, er farligt og skal repareres.
 - c. **Træk stikket ud af stikkontakten og/eller batteriet inden indstilling, tilbehørsudskiftning eller opbevaring af elværktøjet.** Disse sikkerhedsforanstaltninger reducerer risikoen for utilsigtet start af værktøjet.
 - d. **Opbevar ubenyttet elværktøj uden for børns**

rækkevidde. Lad aldrig personer, der ikke er fortrolige med elværktøj, eller som ikke har gennemlæst disse instruktioner, benytte maskinen. Elværktøj er farligt, hvis det benyttes af ukyndige personer.

- e. **Elværktøj bør vedligeholdes omhyggeligt. Kontroller, om bevægelige dele er skæve og ikke sidder fast, og om delene er brækket eller beskadiget, så elværktøjets funktion påvirkes. Få beskadigede dele repareret, inden elværktøjet tages i brug.** Mange uheld skyldes dårligt vedligeholdt elværktøj.
- f. **Sørg for, at skæreværktøjer er skarpe og rene.** Ordentligt vedligeholdt skæreværktøj med skarpe skærekanten sætter sig ikke så hurtigt fast og er nemmere at styre.
- g. **Brug elværktøjet, tilbehøret, indsatsværktøj osv. i overensstemmelse med disse instruktioner under hensyntagen til arbejdsforholdene og arbejdet, der skal udføres med værktøjet.** I tilfælde af anvendelse af elværktøjet til formål, som ligger uden for det fastsatte anvendelsesområde, kan der opstå farlige situationer.

5. Brug og vedligeholdelse af batteridrevet værktøj

- a. **Genoplad kun med den lader, som producenten har angivet.** En lader, der er velegnet til én type batteripakke, kan udgøre en brandfare, hvis den bruges til en anden batteripakke.
- b. **Brug kun elværktøj sammen med batteripakker, der er specifikt beregnet hertil.** Brug af andre batteripakker kan medføre personskaade og brand.
- c. Når batteripakken ikke er i brug, skal den holdes på afstand af andre metalgenstande, f.eks. papirclips, mønter, nøgler, søm, skruer og andre små metalgenstande, som kan skabe forbindelse mellem de to poler. Kortslutning af batteriet kan forårsage forbrændinger eller brand.
- d. **I visse situationer kan batteriet lække. Undgå kontakt. Skyl med vand i tilfælde af kontakt. Søg læge, hvis væsken kommer i kontakt med øjnene.** Væske, der lækker fra batteriet, kan forårsage irritation eller forbrændinger.

6. Service

- a. **Få altid elværktøjet repareret af kvalificerede fagfolk med udelukkende identiske reservedele.** Dermed opretholdes elværktøjets sikkerhed.

Yderligere sikkerhedsadvarsler for elværktøj



Advarsel! Yderligere sikkerhedsadvarsler for boremaskiner og slagboremaskiner

- ◆ **Bær høreværn ved slagboring.** Støj kan forårsage høretab.

- ◆ **Brug de ekstra håndtag, der følger med værktøjet.** Det kan medføre personskaade, hvis kontrollen over værktøjet mistes.
- ◆ **Hold i elværktøjets isolerede grebflader, hvis der er risiko for, at skæretilbehøret/beslaget kommer i kontakt med skjulte ledninger.** Hvis skæretilbehøret/beslaget rammer en strømførende ledning, bliver elværktøjets blottagte dele strømførende, så brugeren får stød.
- ◆ **Brug skruetvinger eller lignende til at holde og støtte materialet på et stabilt underlag.** Det er ikke nok at holde materialet ind mod kroppen. Det bliver ustabil, og du kan miste kontrollen.
- ◆ **Kontroller placeringen af ledninger og rør, inden der bores i vægge, gulve eller lofter.**
- ◆ **Rør ikke ved spidsen af et bor lige efter boring, det kan være varmt.**
- ◆ **Dette værktøj er ikke beregnet til at blive brugt af personer (herunder børn) med nedsatte fysiske, sensoriske eller mentale evner eller manglende erfaring og viden, med mindre det sker under overvågning, eller der gives instruktion i brugen af værktøjet af en person, der er ansvarlig for deres sikkerhed.** Børn skal holdes under opsyn, så det sikres, at de ikke leger med værktøjet.
- ◆ **Apparatets påtænkte anvendelse fremgår af vejledningen.** Brugen af ekstraudstyr eller tilbehør eller udførelse af opgaver med værktøjet ud over de i brugervejledningen anbefalede kan medføre risiko for personskaade og/eller materiel skade.

Andres sikkerhed

- ◆ **Dette apparat må ikke bruges af personer (herunder børn) med nedsatte fysiske, sensoriske eller mentale evner eller manglende erfaring og viden, med mindre det sker under overvågning, eller der gives instruktion i brugen af apparatet af en person, der er ansvarlig for deres sikkerhed.**
- ◆ **Børn skal holdes under opsyn, så det sikres, at de ikke leger med værktøjet.**

Restrisici.

Der kan opstå yderligere restrisici under brugen af værktøjet, som ikke kan medtages i vedlagte sikkerhedsadvarsler. Disse risici kan opstå pga. forkert anvendelse, langvarig brug etc. Selv ved overholdelse af relevante sikkerhedsforskrifter og anvendelse af sikkerhedsudstyr kan visse restrisici ikke undgås. Disse omfatter:

- ◆ **Tilskadekomst forårsaget af berøring af roterende/ bevægelige dele.**
- ◆ **Tilskadekomst forårsaget af udskiftning af dele, blade eller tilbehør.**
- ◆ **Tilskadekomst forårsaget af langvarig brug af et værktøj.**

Husk at holde pause jævnligt ved brug af et værktøj i længere tid.

- ◆ Høreskader.
- ◆ Sundhedsrisici forårsaget af indånding af støv, der genereres ved brug af værktøjet (eksempel: Arbejde med træ, især, eg, bøg og MDF).

Vibration

De angivne værdier for udsendelse af vibration anført under de tekniske data og overensstemmelseserklæringen er målt i henhold til standardtestmetoden i EN 60745 og kan bruges til at sammenligne ét værktøj med et andet. Den angivne værdi for udsendelse af vibration kan også bruges som en foreløbig vurdering af eksponeringen.

Advarsel! Værdien for udsendelse af vibration ved faktisk brug af elværktøjet kan afvige fra den angivne værdi afhængig af måden, værktøjet anvendes på. Vibrationsniveauet kan overstige det angivne niveau.

I vurderingen af eksponeringen for vibration med henblik på fastsættelse af sikkerhedsforanstaltninger som krævet i 2002/44/EC til beskyttelse af personer, der jævnligt anvender elværktøj i deres arbejde, skal der tages hensyn til de faktiske betingelser under brugen, og måden værktøjet bruges på, herunder alle arbejdsrytternes elementer, f.eks. perioder, hvor værktøjet er slukket og kører i tomgang tillige med startperioderne.

Mærkatet på værktøjet

Følgende symboler er anbragt på værktøjet:

Advarsel! Brugeren skal læse brugervejledningen for at reducere risikoen for tilskadekomst.



Yderligere sikkerhedsvejledninger for batterier og ladere

Batterier

- ◆ Forsøg aldrig at åbne uanset årsag.
- ◆ Batteriet må ikke udsættes for fugt.
- ◆ Opbevar ikke på steder, hvor temperaturen kan overstige 30°C.
- ◆ Oplad kun ved omgivelsestemperaturer på mellem 4°C og 40°C.
- ◆ Oplad kun ved hjælp af den medfølgende lader.
- ◆ Følg ved bortskaffelse af batterier vejledningen i afsnittet "Miljø".

Forsøg ikke at oplade beskadigede batterier.

Ladere

- ◆ Brug kun din Black & Decker-lader til at oplade batteriet i det værktøj, som den blev leveret sammen med. Andre batterier kan eksplodere og forårsage personskade og materielle skader.
- ◆ Prøv aldrig på at oplade ikke-opladelige batterier.
- ◆ Udskift straks defekte ledninger.
- ◆ Laderen må ikke udsættes for fugt.
- ◆ Laderen må ikke åbnes.
- ◆ Undersøg ikke laderen.



Laderen er kun beregnet til indendørs brug.



Læs brugervejledningen, før værktøjet tages i brug.

Elektricitet og sikkerhed



Laderen er dobbelt isoleret. Derfor er en jordledning ikke nødvendig. Kontroller altid, at netspændingen svarer til spændingen på typeskiltet. Forsøg aldrig at erstatte laderenheden med et almindeligt netstik.

- ◆ Hvis netledningen beskadiges, skal den udskiftes af producenten eller et autoriseret Black & Decker-værksted, så farlige situationer undgås.

Funktioner

Dette værktøj leveres med nogle eller alle de følgende egenskaber.

1. Kontakt til variabel hastighed
2. Skyder til skift af retning
3. Patron
4. Momentjusteringsring
5. Batteri
6. Bitholder

Fig. A

7. Lader
8. Ladeindikator

Samling

Advarsel! Tag batteriet ud af værktøjet inden det samles.

Montering og afmontering af batteriet (fig. B)

- ◆ Anbring batteriet (5) ud for værktøjets fatning, når batteriet skal monteres. Lad batteriet glide ind i fatningen, og skub, indtil batteriet går på plads.



- ◆ Tryk på udløserknappen (12), og træk samtidigt batteriet ud af fatningen for at tage batteriet ud.

Montering og afmontering af et bor eller en skruetrækker (fig. D)

Dette værktøj har en patron uden nøgle, så det er lettere at udskifte bits.

- ◆ Lås værktøjet ved at sætte skyderen til skift af retning (2) i midterstilling.
- ◆ Åbn patronen ved at dreje den (3) med den ene hånd, mens der holdes fast i værktøjet med den anden hånd.
- ◆ Sæt bittens aksel (13) i patronen.
- ◆ Spænd patronen ved at dreje den (3) med den ene hånd, mens der holdes fast i værktøjet med den anden hånd.

Anvendelse

Advarsel! Lad værktøjet arbejde i dets eget tempo. Det må ikke overbelastes.

Opladning af batteriet (fig. A)

Batteriet skal oplades inden ibrugtagningen, og når det ikke leverer strøm nok til opgaver, der tidligere kunne udføres ubesværet. Batteriet kan blive varmt under opladningen. Det er normalt og ikke tegn på problemer.

Advarsel! Batteriet må ikke oplades i omgivelsestemperaturer under 4 °C eller over 40 °C. Anbefalet ladetemperatur: ca. 24 °C.

Bemærk: Opladeren oplader ikke et batteri, hvis dets temperatur er under ca. 0°C eller over 40°C.

Batteriet bør blive siddende i opladeren, som automatisk begynder opladningen, når batteriets temperatur stiger eller falder.

- ◆ Sæt batteriet (5) i opladeren (9) for at lade det op. Batteriet passer kun i opladeren på én måde. Tving det ikke i. Kontroller, at batteriet er sat helt i opladeren.
- ◆ Tilslut laderen, og tænd på stikkontakten.

Ladeindikatoren (10) blinker konstant grønt (langsomt). Ladningen er afsluttet, når ladeindikatoren (10) lyser konstant grønt. Du kan lade batteriet sidde i laderen med tændt lysdiode. LED'en begynder at blinke grønt (opladning), når laderen en gang imellem "efterfylder" batteriet.

Ladeindikatoren (10) lyser, så længe batteriet er tilsluttet til laderen, der er sat i stikkontakten.

- ◆ Afladede batterier bør oplades inden for 1 uge. Batteriet levetid reduceres kraftigt, hvis batteriet opbevares i afladet tilstand.

Lad batteriet blive siddende i opladeren

Du kan lade batteripakken sidde i laderen med tændt lysdiode, så længe det ønskes. Laderen holder batteripakken klar og fuldt opladet.

Fejlfinding ved laderen

Ladeindikatoren (10) blinker hurtigt rødt, hvis laderen registrerer et svagt eller beskadiget batteri. Fortsæt som følger:

- ◆ Sæt batteriet (5) i igen.
- ◆ Hvis ladeindikatoren fortsætter med at blinke hurtigt rødt, skal du bruge et andet batteri til at kontrollere, om opladningen sker korrekt.
- ◆ Hvis det andet batteri lades korrekt, er det oprindelige batteri defekt og skal indleveres til genbrug på et servicecenter.
- ◆ Hvis det andet batteri giver samme fejlvisning som det oprindelige, skal laderen testes på et autoriseret servicecenter.

Bemærk: Det kan tage op til 60 minutter at konstatere, at batteriet er defekt. Hvis batteriet er for varmt eller koldt, blinker lysdioden rødt skiftevis hurtigt og langsomt med et blink ved hver frekvens, hvorefter sekvensen gentages.

Valg af omløbsretning (fig. E).

Brug forlæns omløb (med uret) ved boring og spænding af skruer. Brug baglæns omløb (mod uret) for at løsne skruer eller fjerne et fastklemt bor.

- ◆ Tryk skyderen til skift af retning (2) mod venstre for at vælge forlæns omløb.
- ◆ Tryk skyderen til skift af retning mod højre for at vælge baglæns omløb.
- ◆ Lås værktøjet ved at sætte skyderen til skift af retning i midterstilling.

Valg af moment

Dette værktøj er forsynet med en ring til indstilling af momentet for forskellige skruetrækker- og boreopgaver. Store skruer og hårde materialer kræver en højere indstilling af moment end små skruer og bløde materialer. Se oversigten herunder vedrørende definitionen af symbolet.

- ◆ Ved boring i træ, metal og plastic skal momentjusteringsringen (4) indstilles på symbolet **1**.
- ◆ Ved skruoopgaver skal ringen indstilles på den ønskede position. Gå frem på følgende måde, hvis du er usikker på den rigtige position:
 - Indstil momentjusteringsringen (4) til den laveste momentposition.
 - Skru den første skrue i.
 - Hvis det ønskede resultat ikke opnås, skal du øge ringens indstilling og fortsætte med at skru skruen i. Gentag fremgangsmåden, indtil du finder den rigtige indstilling. Brug samme indstilling til de andre skruer.

Boring/iskruning

- ◆ Vælg forlæns eller baglæns omløb vha. skyderen til skift af retning (2).
- ◆ Tænd for værktøjet ved at trykke på kontakten (1). Værktøjets hastighed afhænger af, hvor langt du trykker kontakten.
- ◆ Sluk for værktøjet ved at slippe kontakten.

Gode råd til optimal brug

Boring

- ◆ Udøv altid et let tryk i en lige linje med boret.
- ◆ Reducer trykket på værktøjet, lige før borets spids går gennem den anden side af arbejdsemnet.
- ◆ Brug en trækloids på bagsiden af arbejdsemner, der kan splintre.
- ◆ Brug spadebor ved boring af huller med stor diameter i træ.
- ◆ Brug HSS-bor ved boring i metal.
- ◆ Brug murbor ved boring i bløde mure.
- ◆ Brug smøremiddel ved boring i andre typer metal end støbejern og messing.
- ◆ Lav en fordybning med en kørner i midten af det hul, der skal bores, for at forbedre nøjagtigheden.

Iskruning

- ◆ Brug altid den rette type og størrelse skruetrækker.
- ◆ Prøv at smøre lidt opvaskemiddel eller sæbe på skruen, hvis den er vanskelig at spænde.
- ◆ Hold altid værktøjet og skruetrækkeren i lige linje med skruen.

Vedligeholdelse

Dit Black & Decker-værktøj er beregnet til brug gennem lang tid med et minimum af vedligeholdelse. Forsat tilfredsstillende drift afhænger af korrekt behandling af værktøjet samt regelmæssig rengøring.

Laderen kræver ingen vedligeholdelse, men skal rengøres jævnligt.

Advarsel! Tag batteriet ud af værktøjet, inden der foretages vedligeholdelse på værktøjet. Træk laderen ud af stikkontakten, før den rengøres.

- ◆ Rens jævnligt værktøjets og laderens ventilationshuller med en blød børste eller en tør klud.
- ◆ Rens regelmæssigt motorhuset med en fugtig klud. Der må ikke bruges skuremidler eller opløsningsmidler.
- ◆ Åbn jævnligt patronen, og bank på den for at fjerne støv indvendigt.

Miljø



Separat bortskaffelse. Dette produkt må ikke bortskaffes sammen med almindeligt husholdningsaffald.

Når dit Black & Decker-produkt en dag er udtjent, eller du ikke længere har brug for det, må du ikke smide det ud sammen med det almindelige affald. Produktet skal bortskaffes separat.



Ved separat bortskaffelse af brugte produkter og emballage bliver der mulighed for at genanvende forskellige materialer. Genanvendelse af materialer medvirker til at forebygge miljøforurening og mindsker behovet for råstoffer.

Lokal lovgivning kan kræve separat indsamling af elektriske husholdningsapparater på kommunale affaldsdepoter eller af den detailhandlende ved køb af et nyt produkt.

Black & Decker sørger for at indsamle og genanvende Black & Decker-produkter, når disse ikke længere kan bruges. Hvis du vil benytte dig af denne service, skal du returnere produktet til et autoriseret værksted, der indsamler produkterne for os.

Kontakt det lokale Black & Decker-kontor på den adresse, der er angivet i denne vejledning, for at få oplysninger om nærmeste autoriserede værksted. En liste over alle autoriserede Black & Decker-serviceværksteder samt servicevilkår og kontaktpersoner er tilgængelig på internettet på adressen: www.2helpU.com

Batterier



Aflad batteriet helt, og tag det derefter ud af værktøjet.

- ◆ NiCd-, NiMH- og Li-Ion-batterier kan genbruges. Aflever dem på et autoriseret værksted eller en lokal genbrugsstation.

Tekniske data

		EPL14 (H1)	EPL18 (H1)
Spænding	V_n	14,4	18
Hastighed uden belastning	Min ¹	0-750	0-750
Maks. moment	Nm	10/21	10/21
Patronkapacitet	mm	10	10
Maks. borekapacitet			
Stål/træ	mm	10/25	10/25

Lader		905531** type. 1	
Indgangsspænding	V_n	230	
Udgangsspænding	V_n	16,4 / 20,5	
Strømstyrke	mA	200	
Ladelid ca.	t	5 - 7	

Batteri		BL1114	BL1314	BL1514
Spænding	V_n	14,4	14,4	14,4
Kapacitet	Ah	1,1	1,3	1,5
Type		Li-Ion	Li-Ion	Li-Ion

Batteri		BL1118	BL1318	BL1518
Spænding	V_n	18	18	18
Kapacitet	Ah	1,1	1,3	1,5
Type		Li-Ion	Li-Ion	Li-Ion

Lydtrykniveau i henhold til EN 60745:	
Lydtryk (L_w)	87,5 dB(A), usikkerhed (K) 3 dB(A)
Lyd effekt (L_{wa})	98,5 dB(A), usikkerhed (K) 3 dB(A)

Samlede værdier for vibration (triaksial vektorsum) i henhold til EN 60745:	
Boring i metal ($a_{h,v}$)	<2.5 m/s ² , usikkerhed (K) 1,5 m/s ²
Iskrining uden slag ($a_{h,v}$)	<2.5 m/s ² , usikkerhed (K) 1,5 m/s ²

EF-overensstemmelseserklæring

MASKINDIREKTIV



EPL14 / EPL18

Black & Decker erklærer, at produkterne beskrevet under "Tekniske data" er i overensstemmelse med: 2006/42/EF, EN 60745-1, EN 60745-2-1

Kontakt Black & Decker på nedenstående adresse, eller se vejledningens bagside for at få flere oplysninger.

Undertegnede er ansvarlig for udarbejdelsen af de tekniske data og fremsætter denne erklæring på vegne af Black & Decker.

Kevin Hewitt
Vice-President Global Engineering
Black & Decker Europe, 210 Bath Road, Slough,
Berkshire, SL1 3YD
Storbritannien
10/03/2010

Garanti

Black & Decker garanterer, at produktet er fri for skader og fejl og tilbyder en fremragende garanti. Garantien er et tillæg til forbrugers lovsikrede rettigheder og påvirker ikke disse. Garantien gælder inden for medlemsstaterne af den Europæiske Union og i det Europæiske Frihandelsområde.

Hvis et Black & Decker-produkt går i stykker på grund af materiel skade og/eller fabrikationsfejl eller på anden måde ikke fungerer i overensstemmelse med specifikationen inden for 24 måneder fra købsdatoen, påtager Black & Decker sig at reparere eller ombytte produktet med mindst mulig ulempe for kunden. Garantien gælder ikke for fejl og mangler, der er sket i forbindelse med:

- ◆ Produktet har været anvendt erhvervs-mæssigt eller til udlejning.
- ◆ Produktet har været anvendt forkert eller er ikke vedligeholdt.
- ◆ Produktet er beskadiget af fremmedlegemer, substanser eller pga. uheld.
- ◆ Garantien gælder ikke, hvis reparationer er udført af andre end et autoriseret Black & Decker-værksted.

For at udnytte garantien skal produktet og købskvitteringen indleveres til forhandleren eller til et autoriseret værksted. Kontakt det lokale Black & Decker-kontor på den adresse, der er angivet i denne vejledning, for at få oplysninger om nærmeste autoriserede værksted. En liste over alle autoriserede Black & Decker-serviceværksteder samt servicevilkår og kontaktpersoner er tilgængelig på internettet på adressen: www.2helpU.com

Gå venligst ind på vores website www.blackanddecker.dk for at registrere dit nye produkt og for at blive holdt ajour om nye produkter og specialtilbud. Der findes yderligere oplysninger om mærket Black & Decker og vores produktsortiment på adressen www.blackanddecker.dk

Käyttötarkoitus

Tämä Black & Deckerin pora/ruuvinväännin on tarkoitettu ruuvien kiinnittämiseen sekä puun, metallin ja muovin poraamiseen. Tämä työkalu on tarkoitettu vain yksityiskäyttöön.

Turvallisuusohjeet

Sähkötyökalujen yleiset turvavaroitukset



Varoitus! Lue kaikki turvavaroitukset ja ohjeet. Alla olevien varoitusten ja ohjeiden noudattamisen laiminlyönti saattaa johtaa sähköiskun, tulipaloon ja/tai vakavaan loukkaantumiseen.

Säästä kaikki varoitukset ja ohjeet tulevaa käyttöä varten. Ohjeissa käytetty käsite "sähkötyökalu" tarkoittaa verkkokäyttöisiä sähkötyökaluja (verkkojohdolla varustettuja) ja akkukäyttöisiä sähkötyökaluja (ilman verkkojohtoa).

1. Työalueen turvallisuus

- Pidä työalue puhtaana ja hyvin valaistuna. Työpaikan epäjärjestys tai valaisemattomat työalueet voivat johtaa tapaturmiin.
- Älä käytä sähkötyökalua räjähdysalttiissa ympäristössä, jossa on palavaa nestettä, kaasua tai pölyä. Sähkötyökalu saa aikaan kipinöitä, jotka saattavat sytyttää pölyn tai höyryt.
- Pidä lapset ja sivulliset loitolla sähkötyökalua käyttäessäsi. Voit menettää laitteen hallinnan, jos huomiosi suuntautuu muualle.

2. Sähköturvallisuus

- Sähkötyökalun pistokkeen on sovitava pistorasiaan. Pistoketta ei saa muuttaa millään tavalla. Älä käytä mitään pistorasiasovittimia maadoitettujen sähkötyökalujen kanssa. Alkuperäiset pistokkeet ja niille sopivat pistorasiat vähentävät sähköiskun vaaraa.
- Vältä koskettamasta maadoitettuja pintoja, kuten putkia, pattereita, liesiä tai jääkaappeja. Sähköiskun vaara kasvaa, jos kehosi on maadoitettu.
- Älä altista sähkötyökalua sateelle tai kosteudelle. Veden tunkeutuminen sähkötyökalun sisään lisää sähköiskun riskiä.
- Älä käsittele virtajohtoa kovakouraisesti. Älä käytä sitä sähkötyökalun kantamiseen, vetämiseen tai pistokkeen irrottamiseen pistorasiasta. Pidä johto loitolla kuumuudesta, öljystä, terävistä reunoista ja liikkuvista osista. Vahingoittuneet tai sotkeutuneet johdot lisäävät sähköiskun vaaraa.
- Käyttäessäsi sähkötyökalua ulkona käytä ainoastaan ulkokäyttöön soveltuvaa jatkojohtoa. Ulkokäyttöön

soveltuvan jatkojohdon käyttö pienentää sähköiskun vaaraa.

- Jos sähkötyökalua on välttämättä käytettävä kosteassa paikassa, käytä jännösvirtalaitteella (RCD) suojattua virtalähdettä. Jännösvirtalaitteen käyttö vähentää sähköiskun vaaraa.
- Henkilöturvallisuus
 - Keskity työskentelyysi ja noudata tervettä järkeä käyttäessäsi sähkötyökaluja. Älä käytä sähkötyökalua, jos olet väsynyt tai huumeiden, alkoholin tai lääkkeiden vaikutuksen alaisena. Hetken tarkkaamattomuus sähkötyökalua käytettäessä saattaa johtaa vakavaan loukkaantumiseen.
 - Käytä henkilökohtaisia suojavarusteita. Käytä aina suojalaseja. Suojavarusteet, kuten hengityssuojain, luistamattomat turvajalkineet, kypärä ja kuulosuojaimet, pienentävät loukkaantumisriskiä, jos niitä käytetään tilanteen mukaan oikein.
 - Vältä tahatonta käynnistämistä. Varmista, että kytkin on OFF-asennossa, ennen kuin liität laitteen virtalähteeseen ja/tai akkuun, nostat laitteen tai kannat sitä. Onnettomuusvaara lisääntyy, jos kannat sähkötyökalua sormi käyttöktykimellä tai kytket työkalun virtajohtoon pistorasiaan, kun käyttöktytkin on päällä.
 - Irrota mahdollinen säätö- tai kiintoavain, ennen kuin käynnistät sahan. Sahan pyörivään osaan kiinni jäänyt avain voi johtaa loukkaantumiseen.
 - Älä kurkota liian kauas. Seiso aina tukevasti ja tasapainossa. Tällöin voit paremmin hallita sähkötyökalua yllättävissä tilanteissa.
 - Käytä tarkoitukseen soveltuvia vaatteita. Älä käytä löysiä työvaatteita tai koruja. Pidä hukset, vaatteet ja käsinet loitolla liikkuvista osista. Väljät vaatteet, korut ja pitkät hukset voivat tarttua liikkuviin osiin.
 - Jos laitteeseen voi kiinnittää pölynkerääjän tai -imurin, tarkista, että se on paikallaan ja että se toimii kunnolla. Polynimurin käyttö voi vähentää pölyn aiheuttamia vaaroja.
 - Sähkötyökalujen käyttö ja hoito
 - Älä yliuormita sähkötyökalua. Käytä kyseiseen työhön tarkoitettua sähkötyökalua. Sopivaa sähkötyökalua käyttäen työskentelet paremmin ja turvallisemmin tehoalueella, jolle sähkötyökalu on tarkoitettu.
 - Älä käytä sähkötyökalua, jota ei voida käynnistää ja pysäyttää virtakytimestä. Jos sähkötyökalua ei voi käynnistää ja pysäyttää virtakytkimellä, se on vaarallinen ja se täytyy korjata.
 - Irrota pistotulppa pistorasiasta ja/tai akku laitteesta, ennen kuin suoritat säätöjä, vaihdat tarvikkeita tai siirät sähkötyökalun varastoitavaksi. Nämä

turvatoimenpiteet pienentävät sähkötyökalun tahattoman käynnistämisen riskiä.

- d. Säilytä sähkötyökalut poissa lasten ulottuvilta, kun niitä ei käytetä. Älä anna sähkötyökalua sellaisen henkilön käyttöön, joka ei tunne sitä tai joka ei ole tutustunut tähän käyttöohjeeseen. Sähkötyökalut ovat vaarallisia kokemattoman käyttäjän käsissä.
 - e. Hoida sähkötyökalusi huolella. Tarkista, että liikkuvat osat toimivat moitteettomasti ja etteivät ne ole puristuksessa. Tarkista myös, ettei työkalussa ei ole murtuneita tai vahingoittuneita osia, jotka saattaisivat vaikuttaa haitallisesti sen toimintaan. Korjauta mahdolliset viat ennen käyttöönottoa. Moni tapaturma aiheutuu huonosti huolletuista laitteista.
 - f. Pidä leikkausterät terävinä ja puhtaina. Huolellisesti hoidetut leikkausterät, joiden leikkausreunat ovat teräviä, eivät tartu helposti kiinni, ja niitä on helpompi hallita.
 - g. Käytä sähkötyökaluja, tarvikkeita, vaihtotyökaluja jne. näiden ohjeiden mukaisesti. Ota tällöin huomioon työolosuhteet ja suoritettava toimenpide. Sähkötyökalun käyttö muuhun kuin sille määrättyyn tarkoitukseen saattaa johtaa vaarallisiin tilanteisiin.
5. Akkukäyttöisten työkalujen käyttö ja hoito
 - a. Lataa akku vain valmistajan määrittelemällä laturilla. Laturi, joka soveltuu määrätyn tyyppiselle akulle, saattaa aiheuttaa tulipalon vaaran erilaista akkua ladattaessa.
 - b. Käytä sähkötyökalussa ainoastaan kyseiseen sähkötyökaluun tarkoitettua akkua. Muun tyyppisen akun käyttö saattaa johtaa loukkaantumiseen ja tulipaloon.
 - c. Pidä irrallinen akku loitolla metalliesineistä, kuten paperiliittimistä, kolikoista, avaimista, nautoista, ruuveista tai muista pienistä metalliesineistä, jotka voivat aiheuttaa oikosulun akun navoissa. Akun napojen välinen oikosulku saattaa aiheuttaa palovammoja tai tulipalon.
 - d. Väärin käytetystä akusta voi vuotaa nestettä. Älä kosketa sitä. Jos nestettä pääsee vahingossa iholle, huuhtelee kosketuskohta vedellä. Jos nestettä pääsee silmiin, tarvitaan lisäksi lääkärin apua. Akusta vuotava neste saattaa aiheuttaa ärsytystä ja palovammoja.
 6. Huolto
 - a. Korjauta sähkötyökalu koulutetulla ja ammattitaitoisella henkilöllä ja hyväksy korjauksiin vain alkuperäisiä varaosia. Siten varmistat, että sähkötyökalu säilyy turvallisena.

- ◆ Käytä kuulosuojaimia iskuporakonetta käyttäessäsi. Alistuminen melulle voi aiheuttaa kuulovaurioita.
- ◆ Käytä apukahvoja työkalun kanssa. Otteen menettäminen voi aiheuttaa tapaturman.
- ◆ Pitele sähkötyökalua eristetyistä tartuntapinnoista, kun teet työtä, jossa työkalu/kiinnitin voi joutua kosketuksiin piilossa olevien sähköjohtojen kanssa. Työkalun/kiinnittimen kosketus jännitteisen johtimen kanssa voi tehdä myös työkalun paljaista metalliosista jännitteisiä ja aiheuttaa sähköiskun käyttäjälle.
- ◆ Kiinnitä työstettävä kappale esimerkiksi ruuvipuristimella tukevaan alustaan. Kappaleen kannatteleminen käsin tai sen tukeminen omaa vartaloa vasten voi johtaa kappaleen irtoamiseen ja vaaratilanteeseen.
- ◆ Ennen kuin poraat seinä, lattiaa tai kattoja, tarkista sähköjohtojen ja putkien sijainti.
- ◆ Älä koske terään heti poraamisen jälkeen. Terä saattaa olla kuuma.
- ◆ Tätä työkalua ei ole tarkoitettu sellaisten henkilöiden käyttöön, joilla on fyysisiä tai älyllisiä rajoitteita tai aistirajoitteita, eikä laitteen toimintaan perehtymättömien henkilöiden käyttöön (lapset mukaan luettuina), paitsi valvonnan alaisina, tai jos he ovat saaneet laitteen käyttöön liittyvää opastusta heidän turvallisuudestaan vastaavilta henkilöiltä. Lapsia on valvottava ja heitä on estettävä leikkimästä laitteella.
- ◆ Työkalun käyttötarkoitus on kuvattu tässä käyttöohjeessa. Käytä työkalua ainoastaan sellaiseen työhön, johon se on tarkoitettu, ja käytä vain käyttöohjeessa ja tuotekuvastossa suositeltuja tarvikkeita ja lisälaitteita. Ohjeesta poikkeava käyttö voi aiheuttaa henkilö- ja/tai omaisuusvahinkoja.

Muiden turvallisuus

- ◆ Tätä laitetta ei ole tarkoitettu sellaisten henkilöiden käyttöön, joilla on fyysisiä tai älyllisiä rajoitteita tai aistirajoitteita, eikä laitteen toimintaan perehtymättömien henkilöiden käyttöön (lapset mukaan luettuina), paitsi valvonnan alaisina tai jos he ovat saaneet laitteen käyttöön liittyvää opastusta heidän turvallisuudestaan vastaavilta henkilöiltä.
- ◆ Lapsia on valvottava ja heitä on estettävä leikkimästä laitteella.

Muut riskit.

Muut riskit ovat mahdollisia, jos käytät työkalua muulla kuin turvavaroituksissa mainitulla tavalla. Nämä riskit voivat liittyä muun muassa virheelliseen tai pitkäaikaiseen käyttöön. Tiettyjä muita riskejä ei voi välttää, vaikka noudatat kaikkia turvamääräyksiä ja käytät turvalaitteita. Näihin kuuluvat muun muassa

Sähkötyökalujen lisäturvavaroitukset



Varoitus! Porien ja iskuporakoneiden lisäturvavaroitukset

- ◆ pyörivien tai liikkuvien osien koskettamisen aiheuttamat vahingot
- ◆ osia, teriä tai lisävarusteita vaihdettaessa aiheutuneet vahingot
- ◆ työkalun pitkäaikaisen käytön aiheuttamat vahingot Kun käytät työkalua pitkään, varmista, että pidät säännöllisesti taukoja.
- ◆ kuulovauriot
- ◆ työkalua käytettäessä (esimerkiksi puuta, erityisesti tammea, pyökkiä ja MDF-levyjä, käsiteltäessä) syntyneen pölyn sisäinhengityksen aiheuttamat terveysriskit

Tärinä

Teknisissä tiedoissa ja vaatimustenmukaisuusilmoituksessa ilmoitettu tärinäpäästöarvo on mitattu standardin EN 60745 testausmenetelmän mukaisesti, ja sen avulla voidaan vertailla työkaluja keskenään. Ilmoitettua tärinäpäästöarvoa voidaan käyttää myös allistumisen alustavaan arviointiin.

Varoitus! Sähkötyökalun käytön aikana mitattu todellinen tärinäpäästöarvo voi poiketa ilmoitetusta tärinäpäästöarvosta työkalun käyttötavan mukaan. Tärinätasoa voi olla ilmoitettua tasoa suurempi.

Kun tärinälle altistumista arvioidaan sen määrittämiseksi, mitä direktiivin 2002/44/EY mukaisia turvatoimenpiteitä vaaditaan sähkötyökaluja säännöllisesti käyttävien henkilöiden suojelemiseksi, tärinälle altistumisen arvioinnissa on otettava huomioon todelliset käyttöolosuhteet ja työkalun käyttötavat. Todellisen käytön lisäksi on kiinnitettävä huomiota myös siihen, milloin työkalu on sammutettuna tai se käy tyhjäkäynnillä.

Laitteessa olevat merkinnät

Työkalussa on seuraavat kuvakemerkinnät:



Varoitus! Käyttäjän on luettava käyttöohje vahinkojen välttämiseksi.

Akkuja ja laturia koskevat lisäturvaohjeet

Akku

- ◆ Älä koskaan yritä avata akku.
- ◆ Älä anna akun kastua.
- ◆ Älä säilytä akku tiloissa, joissa lämpötila voi nousta yli 30 °C:een.
- ◆ Lataa akku paikassa, jonka lämpötila on vähintään +4 °C ja enintään +40 °C.
- ◆ Lataa akku ainoastaan koneen mukana toimitetulla laturilla.
- ◆ Noudata akkuja hävittäessäsi kohdassa Ympäristönsuojelu annettuja ohjeita.

Älä koskaan yritä ladata viallisia akkuja.



Laturit

- ◆ Käytä Black & Deckerin laturia vain laitteen mukana toimitetun akun lataamiseen. Muut akut voivat räjähtää ja aiheuttaa henkilövahinkoja tai aineellisia vahinkoja.
- ◆ Älä koskaan yritä ladata paristoja, joita ei ole tarkoitettu ladattavaksi.
- ◆ Vaihda vialliset johdot välittömästi ehjiin.
- ◆ Älä altista laturia vedelle.
- ◆ Älä avaa laturia.
- ◆ Älä työnnä mitään laturin sisään.



Laturi on tarkoitettu ainoastaan sisäkäyttöön.



Lue käyttöohjeet huolellisesti ennen laitteen käyttöä.

Sähköturvallisuus



Laturi on kaksoiseristetty, joten erillistä maadoitusta ei tarvita. Tarkista aina, että verkkojännite vastaa arvokilvessä ilmoitettua jännitettä. Älä yritä korvata laturiyksikköä tavallisella verkkopistokkeella.

- ◆ Jos virtajohto vahingoittuu, sen vaihtaminen tulee turvallisuussyistä jättää valmistajan tai valtuutetun Black & Decker -huollon tehtäväksi.

Yleiskuvaus

Tässä työkalussa on joitakin tai kaikki seuraavista ominaisuuksista.

1. Portaaton nopeudensäätö
2. Eteen-/taaksepäin-liukusäädin
3. Istukka
4. Vääntömomentin säätökartio
5. Akku
6. Ruuviaivainpidike

Kuva A

7. Laturi
8. Lataustilan ilmaisin

Kokoaminen

Varoitus! Poista akku laitteesta aina ennen kokoamista.

Akun kiinnittäminen ja irrottaminen (kuva B)

- ◆ Kiinnitä akku (5) asettamalla se laitteen kiinnityssyvennyksen kanssa samaan linjaan. Liu'uta akkua kiinnityssyvennykseen, kunnes akku lukittuu paikalleen.
- ◆ Irrota akku painamalla vapautuspainiketta (12) samalla kun vedät akkua irti kiinnityssyvennyksestä.

Poranterän tai ruuviavaimen kiinnittäminen ja poistaminen (kuva D)

Tässä työkalussa on huoltovapaa istukka, joka helpottaa terien vaihtamista.

- ◆ Lukitse työkalu siirtämällä eteen-/taaksepäin-liukusäädin (2) keskelle.
- ◆ Avaa istukka kiertämällä sitä (3) yhdellä kädellä ja pitelemällä työkalua toisella kädellä.
- ◆ Työnnä terän varsi (13) istukkaan.
- ◆ Kiristä istukka hyvin kiertämällä sitä (3) yhdellä kädellä ja pitelemällä työkalua toisella kädellä.

Käyttö

Varoitus! Anna koneen käydä omaan tahtiinsa. Älä ylikuormita sitä.

Akun lataaminen (kuva A)

Lataa akku ennen ensimmäistä käyttökertaa ja aina silloin, kun se ei enää tuota riittävästi virtaa toimintoihin, jotka aikaisemmin hoituivat helposti. Akku voi lämmetä ladattaessa. Tämä on normaalia, eikä se ole merkki mistään viasta.

Varoitus! Älä lataa akkua, jos ympäristön lämpötila on alle +4 °C tai yli +40 °C. Suositeltava latauslämpötila: noin +24 °C.

Huomautus: Laturi ei lataa akkua, jos akun kennon lämpötila on alle 0 °C tai yli 40 °C.

Akku tulee kuitenkin jättää laturiin. Laturi aloittaa lataamisen automaattisesti, kun kennon lämpötila nousee tai laskee riittävästi.

- ◆ Lataa akku (5) asettamalla se laturiin (9). Akku sopii laturiin vain yhdessä asennossa. Älä laita sitä laturiin väkisin. Varmista, että akku on kunnolla laturissa.
- ◆ Kytke laturi pistorasiaan.

Latauksen merkkivalo (10) vilkkuu tasaisesti vihreänä (hitaasti).

Akku on ladattu, kun latauksen merkkivalo (10) palaa keskeytyksettä vihreänä. Akku voidaan jättää laturiin, kun merkkivalo palaa. Merkkivalo voi alkaa vilkkua uudelleen vihreänä ns. täydennyslatauksen ajaksi. Latauksen merkkivalo (10) palaa niin kauan kuin akku on pistorasiaan liitetyssä laturissa.

- ◆ Lataa akut viikon kuluessa tyhjentymisestä. Akkujen käyttöikä lyhenee merkittävästi, jos ne jätetään tyhjiksi pitkäksi aikaa.

Akun jättäminen laturiin

Akku voidaan jättää laturiin, kun merkkivalo palaa. Laturi pitää akun käyttövalmiina ja ladattuna.

Laturin vianmääritys

Jos laturi havaitsee lähes tyhjän tai viallisen akun, latauksen merkkivalo (10) vilkkuu nopeasti punaisena. Toimi seuraavasti:

- ◆ Aseta akku uudelleen laturiin (5).
- ◆ Jos merkkivalot vilkkuvat edelleen nopeasti punaisina, vaihda akku, jotta saat selville, toimiiko lataus asianmukaisesti.
- ◆ Jos toinen akku latautuu normaalisti, alkuperäinen akku on viallinen ja se on vietävä Black & Deckerin huoltopisteeseen kiertäettäväksi.
- ◆ Jos toinen akku antaa saman virheilmoituksen kuin alkuperäinen, vie laturi huoltopisteeseen testattavaksi.

Huomautus: Akun kennon määrittäminen voi kestää 60 minuuttia. Jos akku on liian kuuma tai kylmä, latauksen merkkivalo vilkkuu punaisena vuoroin nopeasti ja hitaasti.


Pyörimissuunnan valitseminen (kuva E)

Käytä poraamiseen ja ruuvien kiristämiseen eteenpäin suuntautuvaa pyörimisliikettä (myötäpäivään). Käytä ruuvien irrottamiseen tai jumiutuneen poranterän irrottamiseen taaksepäin suuntautuvaa pyörimisliikettä (vastapäivään).

- ◆ Valitse pyörimissuunta eteenpäin työntämällä eteen-/taaksepäin-liukusäädintä (2) vasemmalle.
- ◆ Valitse pyörimissuunta taaksepäin työntämällä eteen-/taaksepäin-liukusäädintä oikealle.
- ◆ Lukitse työkalu siirtämällä eteen-/taaksepäin-liukusäädin keskelle.

Vääntömomentin valitseminen

Tässä työkalussa on kartio, jonka avulla voit säätää vääntömomenttia ruuvien kiinnitys- ja poraustehtävän mukaan. Suuret ruuvit ja kovat työstettävät materiaalit vaativat suuremman vääntömomentin kuin pienet ruuvit ja pehmeät työstettävät materiaalit. Symbolin määrittelmä on annettu alla olevassa luettelossa.

- ◆ Puuta, metallia ja muovia poratessasi aseta vääntömomentin säätökartio (4)  -symbolin kohdalle.
- ◆ Ruuveja vääntäessäsi aseta kartio haluamaasi asentoon. Jos et vielä tiedä oikeaa asentoa, toimi seuraavasti:
 - Aseta vääntömomentin säätökartio (4) pienimmän vääntömomentin mukaiseen asentoon.
 - Kiristä ensimmäinen ruuvi.

- Jos kytkin luistaa ennen halutun tuloksen saavuttamista, suurena kartion asetusta ja jatka ruuvien kiristämistä. Toista menettelyä, kunnes asetukset on oikea. Kiristä muut ruuvit käyttämällä tätä asetusta.

Poraaminen ja ruuvien kiinnittäminen

- ◆ Valitse pyörimissuunta eteen- tai taaksepäin eteen-/taaksepäin-liukusäätimellä (2).
- ◆ Käynnistä laite painamalla kytkintä (1). Työkalun nopeus määräytyy sen mukaan, kuinka pitkälle kytkintä työnnetään.
- ◆ Sammuta laite vapauttamalla kytkin.

Vinkkejä parhaimman tuloksen saamiseksi

Poraaminen

- ◆ Paina aina kevyesti ja suoraan poranterän suuntaisesti.
- ◆ Vähennä työkaluun kohdistuvaa painetta juuri ennen kuin poranterä lävistää työkappaleen.
- ◆ Aseta puukappale mahdollisesti säilytyvien työkappaleiden taakse.
- ◆ Käytä litteäteräisiä poranteriä, kun poraat puuhun läpimitaltaan suuria reikiä.
- ◆ Käytä pikäteräksestä (HSS) valmistettuja poranteriä, kun poraat metallia.
- ◆ Käytä betoniteriä, kun poraat pehmeää betonia.
- ◆ Käytä leikkuujäähdytysnestettä, kun poraat muita metalleja kuin valurautaa ja messinkiä.
- ◆ Tee kolo porattavan kohdan keskipisteeseen, sillä tämä parantaa tarkkuutta.

Ruuvien kiinnittäminen

- ◆ Käytä aina oikeantyyppistä ja -kokoista ruuviavainta.
- ◆ Jos ruuvien kiristäminen on hankalaa, kokeile käyttää liukasteena pientä määrää pesunestettä tai saippuaa.
- ◆ Pidä aina työkalu ja ruuviavain suorassa linjassa ruuviin nähden.

Huolto

Black & Decker -työkalu on suunniteltu toimimaan mahdollisimman pitkän aikaa mahdollisimman vähällä huollolla. Oikealla huollolla ja säännöllisellä puhdistuksella kone säilyttää suorituskykynsä.

Laturi ei tarvitse säännöllisen puhdistamisen lisäksi mitään muuta huoltoa.

Varoitus! Poista akku ennen työkalun huoltamista. Irrota laturi pistorasiasta ennen laturin puhdistamista.

- ◆ Puhdista saksien ja laturin ilma-aukot säännöllisesti pehmeällä harjalla tai kuivalla kangasliinalla.
- ◆ Puhdista moottorin kotelon säännöllisesti kostealla rätillä.

Älä koskaan käytä puhdistamiseen liuotainaineita tai syövyttäviä puhdistusaineita.

- ◆ Avaa istukka säännöllisesti ja naputtele pöly pois sen sisältä.

Ympäristönsuojelu



Erillinen keräys. Tätä tuotetta ei saa hävittää normaalin kotitalousjätteen kanssa.

Kun Black & Decker -laitteesi aikanaan täytyy vaihtaa tai ei kelpaa enää käyttöön, älä hävitä laitetta kotitalousjätteen mukana. Toimita laite kierrätettäväksi.



Käytettyjen tuotteiden ja pakkausmateriaalien erilliskeruun avulla materiaalit voidaan kierrättää ja käyttää uudelleen.

Kierrätysmateriaalien käyttö auttaa vähentämään ympäristön saastumista ja uusien raaka-aineiden tarvetta.

Paikallisissa säädöksissä voidaan määrätä, että kodin sähkötuotteiden keruu tapahtuu kaupunkien jätteidenkäsittelyasemilla tai laitteita myyvissä liikkeissä uuden tuotteen oston yhteydessä.

Kun laitteesi on käytetty loppuun, älä hävitä sitä tavallisten roskien mukana, vaan vie se paikkakuntasi kierrätyskeskukseen tai jätä se valtuutettuun Black & Deckerin huoltoliikkeeseen.

Tiedot valtuutetuista huoltoliikkeistä saa ottamalla yhteyden Black & Decker Oy:hyn tässä käyttöohjeessa ilmoitetussa osoitteessa. Valtuutettujen Black & Decker -huoltoliikkeiden yhteystiedot sekä lisätietoja palveluistamme ja takuuehdoista on myös Internetissä osoitteessa: www.2helpU.com

Akku



Käytä akku täysin loppuun ja irrota se sitten työkalusta.

- ◆ NiCd-, NiMH- ja Li-Ion-akut ovat kierrätettäviä. Voit viedä akut mihin tahansa valtuutettuun huoltoliikkeeseen tai paikalliseen kierrätyskeskukseen.

Tekniset tiedot

		EPL14 (H1)	EPL18 (H1)
Jännite	V_{ac}	14.4	18
Kuormittamaton nopeus	Min ¹	0-750	0-750
Suurin mahdollinen vääntömomentti	Nm	10/21	11/21
Istukka	mm	10	10
Suurin mahdollinen porausteho			
Teräs/puu	mm	10/25	10/25

Laturi		905531** tyyppi 1
Tulojännite	V_{ac}	230
Lähtöjännite	V_{ac}	16.4 / 20.5
Virta	mA	200
Arvioitu latausaika	h	5 - 7

Akku		BL1114	BL1314	BL1514
Jännite	V_{ac}	14.4	14.4	14.4
Kapasiteetti	Ah	1.1	1.3	1.5
Tyyppi		Li-Ion	Li-Ion	Li-Ion

Akku		BL1118	BL1318	BL1518
Jännite	V_{ac}	18	18	18
Kapasiteetti	Ah	1.1	1.3	1.5
Tyyppi		Li-Ion	Li-Ion	Li-Ion

Äänenpainetaso standardin EN 60745 mukaisesti:

Äänenpaine (L_{p}) 87,5 dB(A), epätarkkuus (K) 3 dB(A)

Äänitehotaso (L_{wa}) 98,5 dB(A), epätarkkuus (K) 3 dB(A)

Tärinän kokonaisarvot (vektorisumma) standardin EN 60745 mukaisesti:

Porattaessa metallia (a_{h}) <2.5 m/s², epätarkkuus (K) 1,5 m/s²

Ruuvinvääntö ilman iskuloimintoa (a_{h}) <2.5 m/s², epätarkkuus (K) 1,5 m/s²

EY-vaatimustenmukaisuusvakuutus

KONEDIREKTIIVI



EPL14 / EPI18

Black & Decker ilmoittaa, että tuotteet, jotka on kuvattu kohdassa Tekniset tiedot, täyttävät seuraavien direktiivien vaatimukset:

2006/42/EY, EN 60745-1, EN 60745-2-1

Lisätietoja saa ottamalla yhteyden Black & Deckeriin seuraavassa osoitteessa. Tiedot ovat myös käyttöohjeen takakannessa.

Allekirjoittanut vastaa teknisten tietojen kokoamisesta ja antaa tämän ilmoituksen Black & Deckerin puolesta.

Kevin Hewitt
Vice-President Global Engineering
Black & Decker Europe, 210 Bath Road, Slough,
Berkshire, SL1 3YD
Iso-Britannia
10/03/2010

Takuu

Black & Decker takaa, ettei tuotteessa ole materiaali- ja/tai valmistusvikaa silloin, kun se toimitetaan ostajalle. Takuu on lisäys kuluttajan laillisiin oikeuksiin eikä vaikuta niihin. Takuu on voimassa Euroopan unionin jäsenvaltioissa ja Euroopan vapaakauppa-alueella (EFTA).

Mikäli Black & Decker -kone hajoaa materiaali- ja/tai valmistusvirheen tai teknisten tietojen epätarkkuuden vuoksi 24 kk:n kuluessa ostopäivästä, Black & Decker korjaa koneen ilman kustannuksia ostajalle tai vaihtaa sen Black & Decker Oy:n valinnan mukaan. Takuu ei kata vikoja, jotka johtuvat seuraavista:

- ◆ Tuotetta on käytetty kaupallisesti, ammattimaisesti tai vuokraukseen.
- ◆ Tuotetta on käytetty tai hoidettu virheellisesti.
- ◆ Tuotetta on vahingoitettu vieraalla esineellä tai aineella tai se on ollut onnettomuudessa.
- ◆ Jos korjauksia on yrittänyt joku muu kuin Black & Deckerin valtuuttama edustaja tai Black & Deckerin henkilökunta.

Edellytyksenä takuun saamiselle on, että ostaja toimittaa ostokuitin jälleenmyyjälle tai valtuutetulle huoltoliikkeelle.

Tiedot valtuutetuista huoltoliikkeistä saa ottamalla yhteyden Black & Decker Oy:hyn tässä käyttöohjeessa ilmoitetussa osoitteessa. Valtuutettujen Black & Decker -huoltoliikkeiden yhteystiedot sekä lisätietoja palveluistamme ja takuuehdoista on myös Internetissä osoitteessa: www.2helpU.com

Voit rekisteröidä uuden Black & Decker -tuotteesi ja tarkastella tietoja uusista tuotteista ja erikoistarjouksista verkkosivuiltamme www.blackanddecker.fi. Saat lisätietoja Black & Deckerin tavaramerkistä ja tuotevalikoimastamme osoitteesta www.blackanddecker.fi.

Ενδεδειγμένη χρήση

Το τρυπάνι/κατσαβίδι της Black & Decker έχει σχεδιαστεί για βιδώμα καθώς και για τη διάτρηση ξύλου, μετάλλου και πλαστικών. Αυτό το εργαλείο προορίζεται μόνο για ερασιτεχνική χρήση.

Οδηγίες ασφαλείας

Γενικές προειδοποιήσεις ασφαλείας για τα ηλεκτρικά εργαλεία



Προειδοποίηση! Διαβάστε όλες τις προειδοποιήσεις ασφαλείας και όλες τις οδηγίες. Η μη τήρηση των παρακάτω προειδοποιήσεων και οδηγιών μπορεί να προκαλέσει ηλεκτροπληξία, πυρκαγιά ή/και σοβαρούς τραυματισμούς.

Φυλάξτε όλες τις προειδοποιήσεις και τις οδηγίες για μελλοντική αναφορά. Ο χαρακτηρισμός "ηλεκτρικό εργαλείο" που χρησιμοποιείται σε όλες τις παρακάτω προειδοποιήσεις αφορά είτε το εργαλείο που συνδέεται στην πρίζα (με καλώδιο) είτε το εργαλείο που λειτουργεί με μπαταρία (χωρίς καλώδιο).

1. Ασφάλεια χώρου εργασίας

- Διατηρείτε το χώρο που εργάζεστε καθαρό και καλά φωτισμένο.** Η ατάξια στο χώρο εργασίας και τα σημεία χωρίς καλό φωτισμό μπορεί να οδηγήσουν σε ατυχήματα.
- Μη χρησιμοποιείτε ηλεκτρικά εργαλεία σε περιβάλλον όπου υπάρχει κίνδυνος έκρηξης, π.χ. παρουσία εύφλεκτων υγρών, αερίων ή σκόνης.** Τα ηλεκτρικά εργαλεία μπορεί να δημιουργήσουν σπινθηρισμό ο οποίος μπορεί να αναφλέξει τη σκόνη ή τις αναθυμιάσεις.
- Όταν χρησιμοποιείτε το ηλεκτρικό εργαλείο, κρατάτε τα παιδιά και τα υπόλοιπα άτομα μακριά.** Σε περίπτωση που άλλα άτομα αποσπάσουν την προσοχή σας μπορεί να χάσετε τον έλεγχο του εργαλείου.

2. Ασφαλής χρήση ηλεκτρικού ρεύματος

- Το φως του καλωδίου του ηλεκτρικού εργαλείου πρέπει να ταιριάζει στην αντίστοιχη πρίζα. Δεν επιτρέπεται με κανέναν τρόπο η μετασκευή του φως. Μη χρησιμοποιείτε προσαρμοστικά φως με γειωμένα ηλεκτρικά εργαλεία.** Τα φως που δεν έχουν υποστεί τροποποιήσεις και οι κατάλληλες πρίζες μειώνουν τον κίνδυνο ηλεκτροπληξίας.
- Αποφύγετε την επαφή του σώματός σας με γειωμένες επιφάνειες όπως σωλήνες, θερμαντικά σώματα (καλοριφέρ), κουζίνες και ψυγεία.** Όταν το σώμα σας είναι γειωμένο, αυξάνεται ο κίνδυνος ηλεκτροπληξίας.
- Μην εκθέτετε το ηλεκτρικό εργαλείο στην βροχή ή την υγρασία.** Η εισχώρηση νερού στο ηλεκτρικό εργαλείο

αυξάνει τον κίνδυνο ηλεκτροπληξίας.

- Μην κακομεταχειρίζεστε το καλώδιο. Μη χρησιμοποιείτε ποτέ το καλώδιο για να μεταφέρετε το εργαλείο, να το τραβήξετε ή να το αποσυνδέσετε από την πρίζα. Κρατάτε το καλώδιο μακριά από θερμότητα, λάδια, αιχμηρά άκρα ή κινούμενα εξαρτήματα.** Τυχόν χαλασμένα ή μπερδεμένα καλώδια αυξάνουν τον κίνδυνο ηλεκτροπληξίας.
 - Όταν χρησιμοποιείτε το ηλεκτρικό εργαλείο σε εξωτερικούς χώρους, να χρησιμοποιείτε πάντοτε προεκτάσεις (μπαλαντζές) κατάλληλες για χρήση σε εξωτερικούς χώρους.** Η χρήση προεκτάσεων κατάλληλων για εργασία σε εξωτερικούς χώρους μειώνει τον κίνδυνο ηλεκτροπληξίας.
 - Εάν η χρήση ενός ηλεκτρικού εργαλείου σε μία υγρή τοποθεσία είναι αναπόφευκτη, χρησιμοποιήστε μια Διάταξη Προστασίας Ρεύματος Διαρροής (RCD). Η χρήση μιας διάταξης RCD μειώνει τον κίνδυνο ηλεκτροπληξίας.**
- ### 3. Ασφάλεια προσώπων
- Όταν χρησιμοποιείτε το ηλεκτρικό εργαλείο, να είστε προσεκτικοί, να δίνετε προσοχή στην εργασία που κάνετε και να επιστρατεύετε την κοινή λογική. Μη χρησιμοποιείτε το ηλεκτρικό εργαλείο όταν είστε κουρασμένοι ή όταν βρίσκεστε υπό την επήρεια ναρκωτικών, οινοπνεύματος ή φαρμάκων.** Μια στιγμιαία απροσεξία κατά το χειρισμό του ηλεκτρικού εργαλείου μπορεί να οδηγήσει σε σοβαρούς τραυματισμούς.
 - Να χρησιμοποιείτε εξοπλισμό προσωπικής προστασίας. Να φοράτε πάντα προστατευτικά γυαλιά.** Ο κίνδυνος τραυματισμών μειώνεται όταν χρησιμοποιείτε εξοπλισμό προστασίας, όπως μάσκα προστασίας από σκόνη, αντιβιοηθικά παπούτσια ασφαλείας, κράνη ή υατασπίδες, ανάλογα με τις συνθήκες εργασίας.
 - Αποφεύγετε την ακούσια ενεργοποίηση. Βεβαιωθείτε ότι ο διακόπτης λειτουργίας βρίσκεται στη θέση "OFF" πριν συνδέσετε το εργαλείο στην πρίζα ή/και τοποθετήσετε τη μπαταρία, πριν το σηκώσετε ή το μεταφέρετε.** Η μεταφορά ηλεκτρικών εργαλείων με το δάχτυλό σας επάνω στο διακόπτη ή η σύνδεση στην πρίζα ηλεκτρικών εργαλείων με το διακόπτη στη θέση ενεργοποίησης, ενέχει κινδύνους πρόκλησης ατυχημάτων.
 - Πριν θέσετε το ηλεκτρικό εργαλείο σε λειτουργία, αφαιρέστε τυχόν εργαλεία ή κλειδιά ρύθμισης.** Εάν αφήσετε ένα εργαλείο ή κλειδί πάνω σε κάποιο περιστρεφόμενο εξάρτημα του ηλεκτρικού εργαλείου μπορεί να προκληθούν τραυματισμοί.
 - Μην τεντώνεστε. Φροντίστε πάντοτε να έχετε την κατάλληλη στάση και να διατηρείτε την ισορροπία σας.** Αυτό σας επιτρέπει τον καλύτερο έλεγχο του ηλεκτρικού εργαλείου σε περιπτώσεις απροσδόκτων

καταστάσεων.

- f. Φοράτε κατάλληλη ενδυμασία εργασίας. Μη φοράτε φαρδιά ρούχα ή κοσμήματα. Κρατάτε τα μαλλιά, τα ενδύματα και τα γάντια σας μακριά από τα κινούμενα εξαρτήματα. Τα φαρδιά ρούχα, τα κοσμήματα και τα μακριά μαλλιά μπορεί να εμπλακούν στα κινούμενα εξαρτήματα.
 - g. Αν προβλέπονται διατάξεις απαγωγής και συλλογής της σκόνης, βεβαιωθείτε ότι είναι συνδεδεμένες και ότι χρησιμοποιούνται σωστά. Η χρήση τέτοιων διατάξεων μειώνει τους κινδύνους που προέρχονται από τη σκόνη.
4. Χρήση και συντήρηση του ηλεκτρικού εργαλείου
 - a. Μην υπερφορτώνετε το ηλεκτρικό εργαλείο. Χρησιμοποιείτε για την εκάστοτε εργασία σας το ηλεκτρικό εργαλείο που προορίζεται γι' αυτήν. Με το κατάλληλο ηλεκτρικό εργαλείο, εργάζεστε καλύτερα και ασφαλέστερα στην ονομαστική περιοχή ισχύος του.
 - b. Μη χρησιμοποιήσετε ποτέ ένα ηλεκτρικό εργαλείο του οποίου ο διακόπτης λειτουργίας δε λειτουργεί σωστά. Ένα ηλεκτρικό εργαλείο του οποίου η λειτουργία δεν μπορεί να ελεγχθεί με το διακόπτη είναι επικίνδυνο και πρέπει να επισκευαστεί.
 - c. Βγάλτε το φως από την πρίζα ή/και την μπαταρία από το ηλεκτρικό εργαλείο, πριν διεξαγάγετε κάποια εργασία ρύθμισης, πριν αλλάξετε κάποιο εξάρτημα ή όταν πρόκειται να αποθηκεύσετε τα ηλεκτρικά εργαλεία. Αυτά τα προληπτικά μέτρα ασφαλείας μειώνουν τον κίνδυνο να τεθεί το εργαλείο ακούσια σε λειτουργία.
 - d. Να φυλάτε τα ηλεκτρικά εργαλεία που δε χρησιμοποιείτε μακριά από παιδιά. Μην αφήνετε άτομα που δεν είναι εξοικειωμένα με το ηλεκτρικό εργαλείο ή που δεν έχουν διαβάσει αυτές τις οδηγίες χρήσης να το χρησιμοποιήσουν. Τα ηλεκτρικά εργαλεία είναι επικίνδυνα όταν χρησιμοποιούνται από άπειρα άτομα.
 - e. Να συντηρείτε τα ηλεκτρικά εργαλεία. Ελέγξτε εάν τα κινούμενα εξαρτήματα είναι σωστά ευθυγραμμισμένα ή αν έχουν μπλοκάρει, εάν έχουν σπασίσει κομμάτια και εάν πληρούνται όλες οι υπολοίπες προϋποθέσεις που ενδεχομένως να επηρεάσουν τη σωστή λειτουργία του εργαλείου. Δώστε τυχόν χαλασμένα εξαρτήματα του ηλεκτρικού εργαλείου για επισκευή πριν το χρησιμοποιήσετε πάλι. Η ανεπαρκής συντήρηση των ηλεκτρικών εργαλείων αποτελεί αιτία πολλών ατυχημάτων.
 - f. Διατηρείτε τα κοπτικά εργαλεία κοφτερά και καθαρά. Τα κοπτικά εργαλεία με αιχμηρά κοπτικά άκρα που συντηρούνται σωστά έχουν λιγότερες πιθανότητες να μπλοκάρουν και ελέγχονται ευκολότερα.
 - g. Να χρησιμοποιείτε τα ηλεκτρικά εργαλεία, τα εξαρτήματα και τα άκρα των εργαλείων κλπ. σύμφωνα

με τις παρούσες οδηγίες, λαμβάνοντας υπόψη σας τις συνθήκες εργασίας και την εργασία που θέλετε να εκτελέσετε. Η χρήση του ηλεκτρικού εργαλείου για εργασίες πέρα από τις προβλεπόμενες μπορεί να δημιουργήσει επικίνδυνες καταστάσεις.

5. Χρήση και συντήρηση του εργαλείου μπαταρίας
 - a. Επαναφορτίστε μόνο με το φορτιστή που καθορίζεται από τον κατασκευαστή. Ένας φορτιστής που είναι κατάλληλος για έναν τύπο μπαταρίας μπορεί να προκαλέσει κίνδυνο πυρκαγιάς εάν χρησιμοποιηθεί με άλλη μπαταρία.
 - b. Χρησιμοποιείτε τα ηλεκτρικά εργαλεία αποκλειστικά και μόνο με τις καθοριζόμενες μπαταρίες. Η χρήση άλλων μπαταριών μπορεί να προκαλέσει κίνδυνο τραυματισμού και πυρκαγιάς.
 - c. Όταν η μπαταρία δε χρησιμοποιείται, μην την πλησιάζετε σε μεταλλικά αντικείμενα όπως συνδετήρες, κέρματα, κλειδιά, καρφιά, βίδες ή άλλα μικρά μεταλλικά αντικείμενα που μπορούν να βραχυκυκλώσουν τους δύο ακροδέκτες της. Εάν βραχυκυκλώσουν οι πόλοι της μπαταρίας μπορεί να προκληθούν εγκαύματα ή πυρκαγιά.
 - d. Υπό ακραίες συνθήκες, είναι δυνατή η διαρροή υγρού από την μπαταρία, με το οποίο πρέπει να αποφύγετε την επαφή. Σε περίπτωση κατά λάθος επαφής, ξεπλύνετε με νερό. Εάν το υγρό έρθει σε επαφή με τα μάτια, ζητήστε και ιατρική βοήθεια. Το υγρό που διαρρέει από την μπαταρία μπορεί να προκαλέσει ερεθισμό ή εγκαύματα.
6. Σέρβις
 - a. Το σέρβις του ηλεκτρικού σας εργαλείου πρέπει να αναλαμβάνει έμπειρος τεχνικός που θα χρησιμοποιεί μόνο γνήσια ανταλλακτικά. Έτσι εξασφαλίζεται η διατήρηση της ασφαλείας του ηλεκτρικού εργαλείου.

Συμπληρωματικές προειδοποιήσεις ασφαλείας για τα ηλεκτρικά εργαλεία



Προειδοποίηση! Συμπληρωματικές προειδοποιήσεις ασφαλείας για τρυπάνια και κρουστικά τρυπάνια

- ♦ Όταν χρησιμοποιείτε κρουστικά τρυπάνια, να φοράτε ωτοασπίδες. Η έκθεση σε θόρυβο μπορεί να προκαλέσει απώλεια της ακοής.
- ♦ Χρησιμοποιείτε τις βοηθητικές λαβές που παρέχονται μαζί με το εργαλείο. Η απώλεια ελέγχου του εργαλείου μπορεί να προκαλέσει τραυματισμό.
- ♦ Κρατάτε το ηλεκτρικό εργαλείο από τις μονωμένες επιφάνειες συγκράτησης όταν εκτελείτε κάποια εργασία κατά την οποία το εξάρτημα κοπής/

συνδετήρας μπορεί να έρθει σε επαφή με κρυμμένα καλώδια. Ένα εξάρτημα κοπή/συνδετήρας το οποίο έρχεται σε επαφή με ηλεκτροφόρο καλώδιο μπορεί να καταστήσει και τα εκτεθειμένα μεταλλικά μέρη του ηλεκτρικού εργαλείου ηλεκτροφόρα και να προκαλέσει ηλεκτροπληξία στο χειριστή του..

- ◆ **Χρησιμοποιείτε σφιγκτήρες ή άλλα πρακτικά μέσα για να ασφαλίσετε και να στηρίξετε το προς επεξεργασία αντικείμενο σε μια σταθερή βάση.** Η συγκράτηση του αντικείμενου με το χέρι ή επάνω στο σώμα σας το καθιστά ασταθές και μπορεί να οδηγήσει σε απώλεια του ελέγχου.
- ◆ Πριν τη διάτρηση τοίχων, δαπέδων ή ταβανιών, ελέγχετε για τυχόν διερχόμενα καλώδια και σωλήνες.
- ◆ Αποφεύγετε να αγγίζετε την άκρη του τρυπανιού αμέσως μετά τη διάτρηση, καθώς μπορεί να καίει.
- ◆ Αυτό το εργαλείο δεν προορίζεται για χρήση από άτομα (στα οποία περιλαμβάνονται και τα παιδιά) με μειωμένες φυσικές, αντιληπτικές ή διανοητικές ικανότητες, ή άτομα χωρίς εμπειρία και γνώσεις, παρά μόνο εφόσον επιτηρούνται ή τους έχουν δοθεί οδηγίες σχετικά με τη χρήση του εργαλείου από άτομο υπεύθυνο για την ασφάλειά τους. Τα παιδιά πρέπει να επιτηρούνται, για να διασφαλίζεται ότι δεν παίζουν με το εργαλείο.
- ◆ Η προβλεπόμενη χρήση περιγράφεται στο παρόν εγχειρίδιο οδηγιών. Η χρήση οποιουδήποτε αξεσουάρ ή προσαρτήματος ή η εκτέλεση οποιασδήποτε εργασίας με αυτό το εργαλείο διαφορετικής από αυτές που συστήνονται στο παρόν εγχειρίδιο οδηγιών ενδέχεται να εγκυμονεί κίνδυνο τραυματισμού ή/και ζημιάς σε ιδιοκτησία.

Ασφάλεια τρίτων

- ◆ Αυτό το εργαλείο δεν προορίζεται για χρήση από άτομα (στα οποία περιλαμβάνονται και τα παιδιά) με μειωμένες φυσικές, αντιληπτικές ή διανοητικές ικανότητες ή άτομα χωρίς εμπειρία και γνώσεις, παρά μόνο εφόσον επιτηρούνται ή τους έχουν δοθεί οδηγίες σχετικά με τη χρήση του εργαλείου από άτομο υπεύθυνο για την ασφάλειά τους.
- ◆ Τα παιδιά πρέπει να επιτηρούνται για να διασφαλίζεται ότι δεν παίζουν με το εργαλείο.

Αναπόφευκτοι κίνδυνοι.

Μπορεί να προκληθούν επιπρόσθετοι αναπόφευκτοι κίνδυνοι όταν χρησιμοποιείτε το εργαλείο οι οποίοι μπορεί να μη συμπεριλαμβάνονται στις προειδοποιήσεις ασφαλείας που εσωκλείονται. Αυτοί οι κίνδυνοι μπορεί να προκληθούν από κακή χρήση, παρατεταμένη χρήση κτλ.

Ακόμα και με την τήρηση των σχετικών κανονισμών ασφαλείας και τη χρήση μέσων προστασίας, ορισμένοι κίνδυνοι δεν είναι δυνατό να εξαλειφθούν. Αυτοί

περιλαμβάνουν:

- ◆ Τραυματισμούς από το άγγιγμα των περιστρεφόμενων/κινούμενων εξαρτημάτων.
- ◆ Τραυματισμούς από αλλαγή οποιουδήποτε εξαρτημάτων, λεπίδων ή αξεσουάρ.
- ◆ Τραυματισμούς από παρατεταμένη χρήση του εργαλείου. Όταν χρησιμοποιείτε οποιοδήποτε εργαλείο για παρατεταμένες χρονικές περιόδους βεβαιωθείτε ότι κάνετε τακτικά διαλείμματα.
- ◆ Προβλήματα ακοής.
- ◆ Κίνδυνοι στην υγεία που προκαλούνται από την εισπνοή σκόνης όταν χρησιμοποιείτε το εργαλείο (παραδείγματα: όταν επεξεργάζεστε ξύλο, ειδικά δρυς, οξιά και MDF.)

Δόνηση

Η δηλωμένη τιμή εκπομπής δόνησης που αναφέρεται στα τεχνικά χαρακτηριστικά και τη δήλωση συμμόρφωσης έχει μετρηθεί σύμφωνα με μια τυποποιημένη μέθοδο δοκιμής που παρέχεται από το πρότυπο EN 60745 και μπορεί να χρησιμοποιηθεί για τη σύγκριση ενός εργαλείου με ένα άλλο. Η δηλωμένη τιμή εκπομπής δόνησης μπορεί επίσης να χρησιμοποιηθεί σε έναν προκαταρκτικό προσδιορισμό της έκθεσης.

Προειδοποίηση! Η τιμή εκπομπής δόνησης κατά την πραγματική χρήση του ηλεκτρικού εργαλείου μπορεί να διαφέρει από τη δηλωμένη τιμή, ανάλογα με το τρόπο που χρησιμοποιείται το εργαλείο. Η στάθμη δόνησης μπορεί να αυξηθεί πάνω από τη στάθμη που έχει δηλωθεί.

Κατά τον προσδιορισμό της έκθεσης σε δόνηση για τον καθορισμό των απαιτούμενων μέτρων ασφάλειας σύμφωνα με την οδηγία 2002/44/ΕΚ για την προστασία προσώπων που χρησιμοποιούν συχνά ηλεκτρικά εργαλεία στην εργασία τους, μια προσεγγιστική εκτίμηση της έκθεσης σε δόνηση πρέπει να λαμβάνει υπόψη τις πραγματικές συνθήκες χρήσης και τον τρόπο χρήσης του εργαλείου, συμπεριλαμβανομένων και όλων των επιμέρους τμημάτων του κύκλου εργασίας, όπως, πόσες φορές τέθηκε το εργαλείο εκτός λειτουργίας, τότε είναι σε λειτουργία χωρίς φορτίο και επιπρόσθετα ο χρόνος πίεσης της σκανδάλης.

Ετικέτες στο εργαλείο

Τα ακόλουθα σύμβολα εμφανίζονται στο εργαλείο:



Προειδοποίηση! Για να μειωθεί ο κίνδυνος τραυματισμού, ο χρήστης πρέπει να διαβάσει το εγχειρίδιο οδηγιών.

Συμπληρωματικές οδηγίες ασφαλείας για τις μπαταρίες και τους φορτιστές

Μπαταρίες

- ◆ Μην επιχειρήσετε ποτέ να τα ανοίξετε για οποιοδήποτε λόγο.
- ◆ Μην εκθέτετε την μπαταρία σε νερό.
- ◆ Μη φυλάσσετε τις μπαταρίες σε μέρη όπου η θερμοκρασία μπορεί να υπερβεί τους 30 °C.
- ◆ Η φόρτιση πρέπει να γίνεται μόνο σε θερμοκρασίες περιβάλλοντος μεταξύ 4 °C και 40 °C.
- ◆ Η φόρτιση πρέπει να γίνεται μόνο με τους φορτιστές που παρέχονται μαζί με το εργαλείο.
- ◆ Όταν απορρίπτετε τις μπαταρίες, ακολουθήστε τις οδηγίες που δίνονται στην ενότητα "Προστασία του περιβάλλοντος".

Μην επιχειρήσετε να φορτίσετε κατεστραμμένες μπαταρίες.



Φορτιστές

- ◆ Ο φορτιστής Black & Decker πρέπει να χρησιμοποιείται αποκλειστικά και μόνο για τη φόρτιση της μπαταρίας του εργαλείου το οποίο συνόδευε. Άλλες μπαταρίες μπορεί να εκραγούν, προκαλώντας τραυματισμό και ζημιές.
- ◆ Μην επιχειρήσετε ποτέ να φορτίσετε μη επαναφορτιζόμενες μπαταρίες.
- ◆ Αν κάποιο καλώδιο φθαρεί, αντικαταστήστε το αμέσως.
- ◆ Μην εκθέτετε το φορτιστή σε νερό.
- ◆ Μην ανοίγετε το φορτιστή.
- ◆ Μην επεμβαίνετε στο φορτιστή.



Ο φορτιστής προορίζεται για χρήση σε εσωτερικούς χώρους μόνο.



Διαβάστε αυτό το εγχειρίδιο οδηγιών πριν από τη χρήση.

Ασφαλής χρήση ηλεκτρικού ρεύματος



Ο φορτιστής σας φέρει διπλή μόνωση, επομένως δεν απαιτείται σύρμα γείωσης. Ελέγχετε πάντα αν η τάση τροφοδοσίας αντιστοιχεί σε αυτήν που αναγράφεται στην πινακίδα χαρακτηριστικών. Ποτέ μην επιχειρείτε να αντικαταστήσετε τη μονάδα φορτιστή με έναν κανονικό ρευματολήπτη.

- ◆ Αν το καλώδιο τροφοδοσίας έχει υποστεί φθορά, η αντικατάστασή του πρέπει να γίνει από τον

κατασκευαστή ή από ένα εξουσιοδοτημένο κέντρο της Black & Decker, ώστε να αποφευχθεί τυχόν κίνδυνος.

Χαρακτηριστικά

Το εργαλείο αυτό διαθέτει μερικά ή όλα από τα παρακάτω χαρακτηριστικά.

1. Διακόπτης μεταβλητής ταχύτητας
2. Ολισθητήρας κίνησης προς τα εμπρός/πίσω
3. Σφιγκτήρας τρυπανιού (τσοκ)
4. Κολάρο ρύθμισης ροπής
5. Μπαταρία
6. Υποδοχή μύτης

Εικ. Α

7. Φορτιστής
8. Ενδεικτική λυχνία φόρτισης

Συναρμολόγηση

Προειδοποίηση! Πριν από τη συναρμολόγηση, αφαιρέστε την μπαταρία από το εργαλείο.

Τοποθέτηση και αφαίρεση της μπαταρίας (εικ. Β)

- ◆ Για να τοποθετήσετε την μπαταρία (5), ευθυγραμμίστε την με την υποδοχή στο εργαλείο. Ολισθήστε την μπαταρία μέσα στην υποδοχή και στρώστε την μέχρι να ασφαλίσει στη θέση της.
- ◆ Για να αφαιρέσετε την μπαταρία, πατήστε το κουμπί απασφάλισης (12) και ταυτόχρονα τραβήξτε την μπαταρία έξω από την υποδοχή.

Τοποθέτηση και αφαίρεση μιας μύτης τρυπανιού ή καταβιδιού (εικ. D)

Το εργαλείο αυτό είναι εξοπλισμένο με τσοκ χωρίς σφήνα για την εύκολη αλλαγή των μυτών.

- ◆ Ασφαλίστε το εργαλείο θέτοντας τον ολισθητήρα κίνησης προς τα εμπρός/πίσω (2) στην κεντρική θέση.
- ◆ Ανοίξτε το τσοκ περιστρέφοντας το (3) με το ένα χέρι ενώ συγκρατείτε το εργαλείο με το άλλο.
- ◆ Εισαγάγετε τον άξονα της μύτης (13) στο τσοκ.
- ◆ Σφίξτε καλά το τσοκ περιστρέφοντας το (3) με το ένα χέρι ενώ συγκρατείτε το εργαλείο με το άλλο.

Χρήση

Προειδοποίηση! Αφήστε το εργαλείο να λειτουργήσει με το δικό του ρυθμό. Μην το υπερφορτώνετε.

Φόρτιση της μπαταρίας (εικ. Α)

Η μπαταρία πρέπει να φορτίζεται πριν από την πρώτη χρήση και όποτε αδυνατεί να παρέχει επαρκή ισχύ σε εργασίες η εκτέλεσή των οποίων ήταν προηγούμενα εύκολη. Η μπαταρία μπορεί να θερμανθεί κατά τη φόρτιση. Κάτι τέτοιο είναι φυσιολογικό και δεν υποδηλώνει πρόβλημα.

Προειδοποίηση! Μη φορτίζετε την μπαταρία σε θερμοκρασίες περιβάλλοντος κάτω από 4°C ή πάνω από 40°C. Συνιστάμενη θερμοκρασία φόρτισης: περίπου 24 °C.

Σημείωση: Ο φορτιστής δε θα φορτίσει μια μπαταρία με θερμοκρασία κυψέλης κάτω από περίπου 0 °C ή πάνω από 40 °C.

Η μπαταρία θα πρέπει να παραμείνει στο φορτιστή και αυτός θα αρχίσει να τη φορτίζει αυτόματα μόλις η θερμοκρασία κυψέλης αυξηθεί ή μειωθεί αντίστοιχα.

- ◆ Για να φορτίσετε την μπαταρία (5), τοποθετήστε την στο φορτιστή (9). Η μπαταρία μπορεί να τοποθετηθεί στο φορτιστή μόνο με έναν τρόπο. Μην ασκείτε δύναμη. Βεβαιωθείτε ότι η μπαταρία είναι τοποθετημένη σωστά στο φορτιστή.
- ◆ Συνδέστε το φορτιστή και συνδέστε στο ρεύμα. Η ένδειξη φόρτισης (10) θα αρχίσει να αναβοσβήνει πράσινη συνεχώς (αργά). Η φόρτιση έχει ολοκληρωθεί όταν η ένδειξη φόρτισης (10) ανάψει σταθερά πράσινη. Ο φορτιστής και η μπαταρία μπορούν να παραμείνουν συνδεδεμένα επ' αόριστον όσο η ενδεικτική λυχνία LED είναι αναμμένη. Η ενδεικτική λυχνία LED αρχίζει να αναβοσβήνει πράσινη (φόρτιση), καθώς ο φορτιστής αναπληρώνει περιστασιακά το φορτίο της μπαταρίας. Η ένδειξη φόρτισης (10) παραμένει αναμμένη για όσο διάστημα η μπαταρία είναι συνδεδεμένη με το φορτιστή στην πρίζα.
- ◆ Φορτίζετε τις αποφορτισμένες μπαταρίες εντός 1 εβδομάδας. Η διάρκεια ζωής μιας μπαταρίας μειώνεται σημαντικά εάν αυτή αποθηκευτεί σε αποφορτισμένη κατάσταση.

Παραμονή της μπαταρίας στο φορτιστή

Ο φορτιστής και η μπαταρία μπορούν να παραμείνουν συνδεδεμένα επ' αόριστον με την ενδεικτική λυχνία LED αναμμένη. Ο φορτιστής θα διατηρήσει την μπαταρία πλήρως φορτισμένη.

Διαγνωστικά φορτιστή

Εάν ο φορτιστής εντοπίσει μια ασθενή ή κατεστραμμένη μπαταρία, η ένδειξη φόρτισης (10) θα αρχίσει να αναβοσβήνει κόκκινη με γρήγορο ρυθμό. Προχωρήστε ως εξής:

- ◆ Επανατοποθετήστε την μπαταρία (5).
- ◆ Εάν η ένδειξη φόρτισης συνεχίσει να αναβοσβήνει κόκκινη με γρήγορο ρυθμό, χρησιμοποιήστε μια άλλη μπαταρία για να εξακριβώσετε εάν η διαδικασία φόρτισης λειτουργεί σωστά.
- ◆ Εάν η νέα μπαταρία φορτίζεται σωστά, αυτό σημαίνει ότι η αρχική μπαταρία είναι ελαττωματική και θα πρέπει να επιστραφεί σε ένα κέντρο σέρβις για ανακύκλωση.
- ◆ Εάν η νέα μπαταρία δίνει την ίδια ένδειξη με την αρχική μπαταρία, πηγαίνατε το φορτιστή για έλεγχο σε ένα εξουσιοδοτημένο κέντρο σέρβις.

Σημείωση: Μπορεί να χρειαστούν μέχρι και 60 λεπτά για να εξακριβωθεί εάν η μπαταρία είναι ελαττωματική. Εάν η μπαταρία είναι πολύ θερμή ή πολύ κρύα, η ενδεικτική λυχνία LED θα αναβοσβήνει κόκκινη με γρήγορο και αργό ρυθμό εναλλάξ, μια αναλαμπή σε κάθε ρυθμό και κατ' επανάληψη.

Επιλογή της κατεύθυνσης περιστροφής (εικ. Ε)

Για διάτρηση και για να σφίγγετε βίδες, χρησιμοποιήστε την προς τα εμπρός (δεξιόστροφη) περιστροφή. Για να χαλαρώνετε βίδες και για την αφαίρεση μια μύτης τρυπανιού που έχει κολλήσει χρησιμοποιήστε την ανάστροφη (αριστερόστροφη) περιστροφή.

- ◆ Για επιλογή της προς τα εμπρός περιστροφής, πιέστε τον ολισθητήρα κίνησης προς τα εμπρός/πίσω (2) στα αριστερά.
- ◆ Για επιλογή της ανάστροφης περιστροφής, πιέστε τον ολισθητήρα κίνησης προς τα εμπρός/πίσω στα δεξιά.
- ◆ Για να ασφαλίσετε το εργαλείο, θέστε τον ολισθητήρα κίνησης προς τα εμπρός/πίσω στην κεντρική θέση.

Επιλογή της ροπής

Το εργαλείο αυτό είναι εξοπλισμένο με ένα κολάρο για τη ρύθμιση της ροπής για διάφορες εφαρμογές βιδώματος και για διάτρησης. Οι μεγάλες βίδες και τα σκληρά υλικά προς επεξεργασία απαιτούν ρύθμιση μεγαλύτερης ροπής από ότι οι μικρές βίδες και τα μαλακά υλικά προς επεξεργασία. Για την επεξεργασία των συμβόλων ανατρέξτε στην παρακάτω λίστα.

- ◆ Για διάτρηση σε ξύλο, μέταλλο και πλαστικό, θέστε το κολάρο ρύθμισης ροπής (4) στο σύμβολο 1.
- ◆ Για βιδώμα, ρυθμίστε το κολάρο στην επιθυμητή θέση. Εάν δεν γνωρίζετε ακόμη την κατάλληλη ρύθμιση, συνεχίστε ως εξής:
 - Θέστε το κολάρο ρύθμισης ροπής (4) στη χαμηλότερη ρύθμιση ροπής.
 - Σφίξτε την πρώτη βίδα.
 - Αν κατά την προσπάθεια να σφίξετε τη βίδα διαπιστώσετε αντίσταση και δεν επιτυγχάνεται το επιθυμητό αποτέλεσμα, αυξήστε τη ρύθμιση του κολάρου και συνεχίστε να σφίγγετε τη βίδα. Επαναλάβετε μέχρι να επιτύχετε τη σωστή ρύθμιση. Χρησιμοποιήστε την ίδια ρύθμιση και για τις υπόλοιπες βίδες.

Διάτρηση/βιδώμα

- ◆ Επιλέξτε περιστροφική κίνηση προς τα εμπρός ή πίσω χρησιμοποιώντας τον ολισθητήρα κίνησης προς τα εμπρός/πίσω (2).
- ◆ Για να ενεργοποιήσετε το εργαλείο, πιέστε το διακόπτη (1). Η ταχύτητα λειτουργίας του εργαλείου εξαρτάται από το πόσο πιέζετε το διακόπτη.

- ◆ Για να απενεργοποιήσετε το εργαλείο, απελευθερώστε το διακόπτη on/off.

Συμβουλές για άριστη χρήση

Διάρθρωση

- ◆ Πάντοτε εφαρμόζετε ελαφριά πίεση σε ευθεία με τη μύτη του τρυπανιού.
- ◆ Μόλις πριν η μύτη του τρυπανιού διαπεράσει την απέναντι πλευρά του επεξεργαζόμενου αντικείμενου, μειώστε την πίεση στο εργαλείο.
- ◆ Χρησιμοποιήστε ένα κομμάτι ξύλο στην πίσω επιφάνεια ενός αντικείμενου υπό επεξεργασία που μπορεί να σχιστεί.
- ◆ Χρησιμοποιήστε επίπεδες μύτες για τη διάτρηση σπών μεγάλης διαμέτρου σε ξύλο.
- ◆ Χρησιμοποιήστε μύτες τρυπανιού HSS κατά τη διάτρηση σε μέταλλο.
- ◆ Χρησιμοποιήστε μύτες για τοιχοποιία για τη διάτρηση ελαφριάς τοιχοποιίας.
- ◆ Χρησιμοποιήστε ένα λιπαντικό κατά τη διάτρηση μετάλλων άλλων από χυτοσίδηρο και μπρούντζο.
- ◆ Με μια πόντα σημαδέψτε με μια εγκοπή το κέντρο της σπής που θα διατρηθεί προκειμένου να βελτιωθεί η ακρίβεια.

Βίδωμα

- ◆ Χρησιμοποιείτε πάντα μύτες κατασβιδιού του κατάλληλου τύπου και μεγέθους.
- ◆ Εάν συναντήσετε δυσκολία κατά το σφίξιμο βιδών, δοκιμάστε να τις περάσετε με μια μικρή ποσότητας υγρού πλυσίματος ή σαπουνιού ως λιπαντικό.
- ◆ Πάντοτε να κρατάτε το εργαλείο και τη μύτη του κατασβιδιού σε ευθεία γραμμή με τη βίδα.

Συντήρηση

Αυτή η συσκευή της Black & Decker έχει σχεδιαστεί έτσι ώστε να λειτουργεί για μεγάλο χρονικό διάστημα με την ελάχιστη δυνατή συντήρηση. Η αδιάλειπτη και ικανοποιητική λειτουργία εξαρτάται από τη σωστή φροντίδα του εργαλείου και τον τακτικό καθαρισμό του.

Ο φορτιστής σας δεν απαιτεί κάποια συντήρηση εκτός του τακτικού καθαρισμού.

Προειδοποίηση! Προτού πραγματοποιήσετε κάποια συντήρηση στο εργαλείο, αφαιρέστε την μπαταρία από το εργαλείο. Πριν καθαρίσετε τον φορτιστή, αποσυνδέστε τον από την πρίζα.

- ◆ Να καθαρίζετε τακτικά τις εγκοπές εξερισμού του εργαλείου και του φορτιστή με μια μαλακή βούρτσα ή με ένα στεγνό πανί.

- ◆ Να καθαρίζετε τακτικά το περίβλημα του μοτέρ με ένα υγρό πανί. Μη χρησιμοποιείτε λειαντικά ή υγρά καθαρισμού που περιέχουν διαλυτικά.
- ◆ Να ανοίγετε τακτικά το τσοκ και να το χτυπάτε ελαφρά για να αφαιρείται η σκόνη από το εσωτερικό του.

Προστασία του περιβάλλοντος



Επιλεκτική περισυλλογή. Αυτό το προϊόν δεν πρέπει να απορρίπτεται μαζί με τα κοινά οικιακά απορρίμματα.

Εάν κάποια μέρα διαπιστώσετε ότι το προϊόν σας Black & Decker χρειάζεται αντικατάσταση ή ότι δεν το χρειάζεστε άλλο, μην το απορρίψετε μαζί με τα κοινά οικιακά απορρίμματα αλλά διαθέστε αυτό το προϊόν για ξεχωριστή περισυλλογή.



Η ξεχωριστή περισυλλογή των μεταχειρισμένων προϊόντων και των υλικών συσκευασίας επιτρέπει την ανακύκλωση και επαναχρησιμοποίηση των υλικών.

Με την επαναχρησιμοποίηση των ανακυκλωμένων υλικών αποτρέπεται η μόλυνση του περιβάλλοντος και μειώνεται η ζήτηση πρώτων υλών.

Οι κανονισμοί που ισχύουν στην περιοχή σας ενδέχεται να προβλέπουν την ξεχωριστή περισυλλογή των ηλεκτρικών συσκευών που προέρχονται από νοικοκυριά σε δημοτικές εγκαταστάσεις απορριμμάτων ή από τον έμπορο όταν αγοράζετε ένα καινούργιο προϊόν.

Η Black & Decker δίνει τη δυνατότητα ανακύκλωσης των προϊόντων της που έχουν συμπληρώσει τη διάρκεια ζωής τους. Για να χρησιμοποιήσετε αυτήν την υπηρεσία, επιστρέψτε το προϊόν σας σε οποιοδήποτε εξουσιοδοτημένο κέντρο επισκευών, όπου θα το παραλάβουν εκ μέρους μας.

Ενημερωθείτε για το πλησιέστερο εξουσιοδοτημένο κέντρο επισκευών της περιοχής σας, επικοινωνώντας με τα γραφεία της Black & Decker στη διεύθυνση που αναγράφεται στο εγχειρίδιο. Επίσης, μια λίστα με τα εξουσιοδοτημένα κέντρα επισκευών της Black & Decker και πλήρεις λεπτομέρειες για τις υπηρεσίες που παρέχονται μετά την πώληση καθώς και στοιχεία επικοινωνίας υπάρχουν στο Διαδίκτυο, στη διεύθυνση: www.2helpU.com

Μπαταρίες



Χρησιμοποιήστε την μπαταρία μέχρι να αδειάσει εντελώς και στη συνέχεια αφαιρέστε την από το εργαλείο.

- ◆ Οι μπαταρίες NiCd, NiMH και Li-Ion είναι ανακυκλώσιμες. Παραδώστε τις σε οποιονδήποτε εξουσιοδοτημένο αντιπρόσωπο επισκευών ή στον πλησιέστερο σταθμό ανακύκλωσης της περιοχής σας.

Δήλωση συμμόρφωσης με την Ευρωπαϊκή Κοινότητα

ΟΔΗΓΙΑ ΠΕΡΙ ΜΗΧΑΝΗΜΑΤΩΝ



EPL14 / EPL18

Η Black & Decker δηλώνει ότι τα προϊόντα αυτά που περιγράφονται στα "τεχνικά χαρακτηριστικά" συμμορφώνονται με:
2006/42/EK, EN 60745-1, EN 60745-2-1

Για περισσότερες πληροφορίες, παρακαλείστε να επικοινωνήσετε με την Black & Decker στην παρακάτω διεύθυνση ή να ανατρέξετε στο πίσω μέρος του χειριδριδίου.

Ο κάτωθι υπογεγραμμένος είναι υπεύθυνος για την κατάρτιση του τεχνικού φακέλου και δηλώνει τα παρόντα εκ μέρους της Black & Decker.

Kevin Hewitt

Αντιπρόεδρος παγκόσμιας μηχανικής
Black & Decker Europe, 210 Bath Road, Slough,
Berkshire, SL1 3YD
Ηνωμένο Βασίλειο
10/03/2010

Τεχνικά χαρακτηριστικά

		EPL14 (H1)	EPL18 (H1)
Τάση	V_{oc}	14.4	18
Ταχύτητα χωρίς φορτίο	Min.	0-750	0-750
Μέγ. ροπή	Nm	10/21	11/21
Άνοιγμα σφιγκτήρα τρυπανιού (τσοκ)	mm	10	10
Μέγ. ικανότητα διάτρησης			
Χάλυβας/ξύλο	mm	10/25	10/25

Φορτιστής		905531** typ. 1
Τάση εισόδου	V_{oc}	230
Τάση εξόδου	V_{oc}	16.4 / 20.5
Ρεύμα	mA	200
Χρόνος φόρτισης κατά προσέγγιση	h	5 - 7

Μπαταρία	BL1114	BL1314	BL1514	
Τάση	V_{oc}	14.4	14.4	14.4
Χωρητικότητα	Ah	1.1	1.3	1.5
Τύπος	Li-Ion	Li-Ion	Li-Ion	

Μπαταρία	BL1118	BL1318	BL1518	
Τάση	V_{oc}	18	18	18
Χωρητικότητα	Ah	1.1	1.3	1.5
Τύπος	Li-Ion	Li-Ion	Li-Ion	

Στάθμη ηχητικής πίεσης, μετρημένης σύμφωνα με το πρότυπο EN 60745:

Ηχητική πίεση (L_p) 87.5 dB(A), αβεβαιότητα (K) 3 dB(A)

Ηχητική ισχύς (L_{wa}) 98.5 dB(A), αβεβαιότητα (K) 3 dB(A)

Οι συνολικές τιμές δόνησης (διανυσματικό άθροισμα τριών αξόνων) κατά EN 60745:

Διάτρηση μετάλλου ($a_{h,v}$) <2.5 m/s², αβεβαιότητα (K) 1.5 m/s²

Βίδωμα χωρίς κρούση ($a_{h,v}$) <2.5 m/s², αβεβαιότητα (K) 1.5 m/s²

Εγγύηση

Η Black & Decker είναι σίγουρη για την ποιότητα των προϊόντων της και παρέχει μια εξαιρετική εγγύηση. Η παρούσα γραπτή εγγύηση αποτελεί πρόσθετο δικαίωμά σας και δεν ζημιώνει τα νόμιμα δικαιώματά σας. Η εγγύηση ισχύει εντός της επικράτειας των Κρατών Μελών της Ευρωπαϊκής Ένωσης και της Ευρωπαϊκής Ζώνης Ελευθέρων Συναλλαγών.

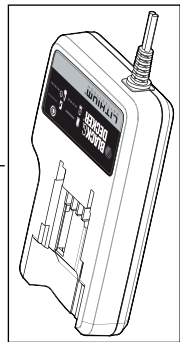
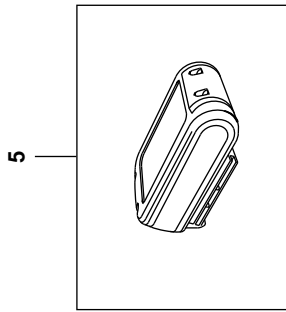
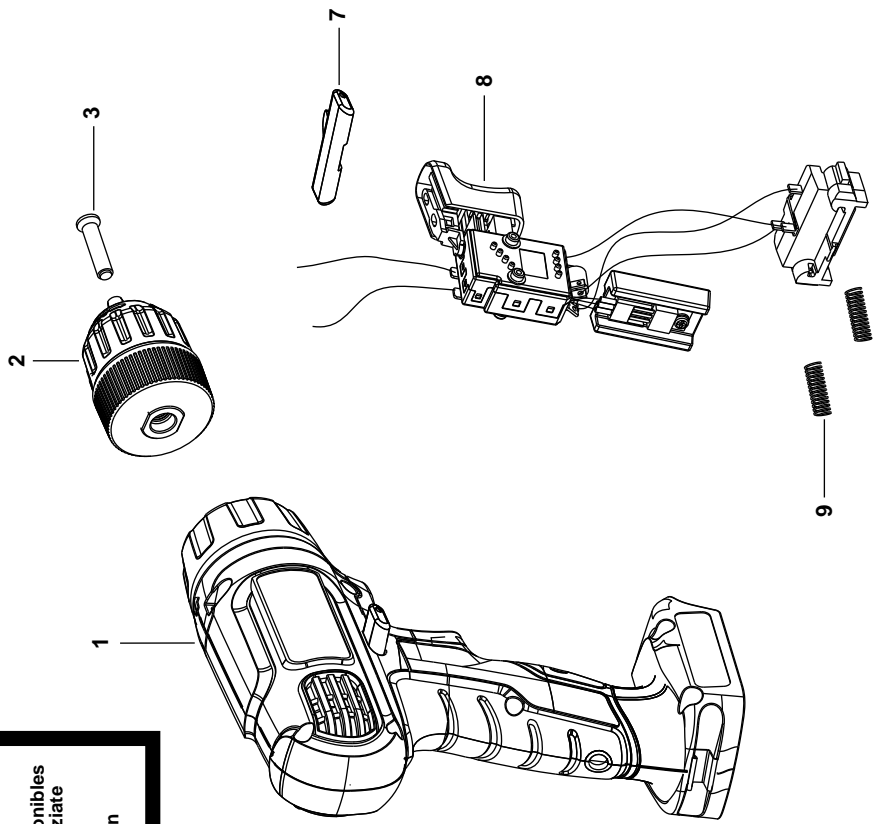
Σε περίπτωση που κάποιο προϊόν της Black & Decker παρουσιάσει βλάβη εξαιτίας ελαττωματικών υλικών, ποιότητας εργασίας ή έλλειψης συμφωνίας με τις προδιαγραφές εντός 24 μηνών από την ημερομηνία αγοράς, η Black & Decker εγγυάται την αντικατάσταση των ελαττωματικών τμημάτων, την επισκευή προϊόντων που έχουν υποστεί εύλογη φθορά λόγω χρήσης ή την αντικατάσταση των προϊόντων προκειμένου να εξασφαλίσει την ελάχιστη ενόχληση στους πελάτες της, εκτός εάν:

- ◆ Το προϊόν έχει χρησιμοποιηθεί σε εργασιακό, επαγγελματικό περιβάλλον ή έχει ενοικιαστεί.
- ◆ Έχει γίνει εσφαλμένη χρήση του προϊόντος ή έχει παραμεληθεί.
- ◆ Το προϊόν έχει υποστεί βλάβη από άλλα αντικείμενα, από ουσίες ή λόγω ατυχήματος.
- ◆ Έχει γίνει προσπάθεια επισκευής από μη εξουσιοδοτημένα κέντρα επισκευών ή από προσωπικό που δεν ανήκει στο προσωπικό της Black & Decker.

Για να ισχύσει η εγγύηση, πρέπει να υποβάλετε απόδειξη αγοράς στον πωλητή ή το εξουσιοδοτημένο κέντρο επισκευών. Ενημερωθείτε για το πλησιέστερο εξουσιοδοτημένο κέντρο επισκευών της περιοχής σας, επικοινωνώντας με τα γραφεία της Black & Decker στη διεύθυνση που αναγράφεται στο εγχειρίδιο. Επίσης, μια λίστα με τα εξουσιοδοτημένα κέντρα επισκευών της Black & Decker και πλήρεις λεπτομέρειες για τις υπηρεσίες που παρέχονται μετά την πώληση καθώς και στοιχεία επικοινωνίας υπάρχουν στο Διαδίκτυο, στη διεύθυνση: www.2helpU.com

Παρακαλούμε επισκεφθείτε την ιστοσελίδα μας www.blackanddecker.eu για να καταχωρήσετε το νέο σας προϊόν Black & Decker και για να ενημερώνεστε για τα νέα προϊόντα και τις ειδικές προσφορές. Περισσότερες πληροφορίες σχετικά με τη μάρκα Black & Decker και τη σειρά των προϊόντων μας θα βρείτε στη διεύθυνση www.blackanddecker.eu

Partial support - Only parts shown available
Nur die aufgeführten teile sind lieferbar
Reparation partielle - Seules les pieces indiquees sont disponibles
Supporto parziale - Sono disponibili soltanto le parti evidenziate
Solo estan disponibles las peizas listadas
So se encontram disponibles as pecas listadas
Gedeeltelijke ondersteuning - alleen de getoonde onderdelen
zijn beschikbaar



ENGLISH

Do not forget to register your product!

www.blackanddecker.co.uk/productregistration
Register your product online at www.blackanddecker.co.uk/productregistration or send your name, surname and product code to Black & Decker in your country

DEUTSCH

Vergessen Sie nicht, Ihr Produkt registrieren zu lassen!

www.blackanddecker.de/productregistration
Lassen Sie Ihr Produkt unter www.blackanddecker.de/productregistration online registrieren oder schicken Sie Ihren Nachnamen, Vornamen und den Produktcode an Black & Decker in Ihrem Land.

FRANÇAIS

N'oubliez pas d'enregistrer votre produit !

www.blackanddecker.fr/productregistration
Enregistrez votre produit en ligne sur www.blackanddecker.fr/productregistration ou envoyez vos nom, prénom et code produit à Black & Decker dans votre pays.

ITALIANO

Non dimenticate di registrare il prodotto!

www.blackanddecker.it/productregistration
Registrate il prodotto online su www.blackanddecker.it/productregistration o inviate nome, cognome e codice del prodotto al centro Black & Decker del vostro paese.

NEDERLANDS

Vergeet niet uw product te registreren!

www.blackanddecker.nl/productregistration
U kunt uw product online registreren op www.blackanddecker.nl/productregistration of u kunt uw voornaam, achternaam en productcode opsturen naar Black & Decker in uw land.

ESPAÑOL

¡No olvide registrar su producto!

www.blackanddecker.es/productregistration
Registre su producto on-line en www.blackanddecker.es/productregistration o envíe su nombre, apellidos y código de producto a Black & Decker en su país.

PORTUGUÊS

Não se esqueça de registar o seu produto!

www.blackanddecker.pt/productregistration
Registe o seu produto online em www.blackanddecker.pt/productregistration ou envie o seu nome, apelido e código do produto para a Black & Decker no seu país.

SVENSKA

Glöm inte att registrera produkten!

www.blackanddecker.se/productregistration
Registrera produkten online på www.blackanddecker.se/productregistration eller skicka namn och produktkod till Black & Decker i landet du bor i.

NORSK

Ikke glem å registrere produktet ditt!

www.blackanddecker.no/productregistration
Registrer produktet ditt online på www.blackanddecker.no/productregistration eller send ditt navn, etternavn og produktkode til Black & Decker i ditt eget land.

DANSK

Glem ikke at registrere dit produkt!

www.blackanddecker.dk/productregistration
Registrer dit produkt på internettet på: www.blackanddecker.dk/productregistration eller send dit navn, efternavn og produktkode til Black & Decker i dit eget land.

SUOMI

Muistathan rekisteröidä tuotteesi!

www.blackanddecker.fi/productregistration
Rekisteröi tuotteesi verkossa osoitteessa www.blackanddecker.fi/productregistration tai lähetä etunimesi, sukunimesi ja tuotekoodi oman maasi Black & Decker -edustajalle.

ΕΛΛΗΝΙΚΑ

Μην ξεχάσετε να καταχωρίσετε το προϊόν σας!

www.blackanddecker.gr/productregistration
Καταχωρίστε το προϊόν σας σε σύνδεση στη σελίδα www.blackanddecker.gr/productregistration ή στείλτε το όνομα, επίθετο σας και τον κωδικό πριονιωτός στη Black & Decker στη χώρα σας.

België/Belgique	Black & Decker (Belgium) N.V. Nieuwlandlaan 321 3200 Aarschot	Tel. Fax	016 68 91 00 016 68 91 11
Danmark	Black & Decker Sluseholmen 2-4, 2450 København SV Internet: www.blackanddecker.dk	Tel. Fax	70 20 15 10 70 22 49 10
Deutschland	Black & Decker GmbH Black & Decker Str. 40, D - 65510 Idstein	Tel. Fax	06126/21 - 0 06126/21 29 80
Ελλάδα	Black & Decker (Ελλάς) Α.Ε. Στράβωνος 7 & Λεωφ. Βουλιαγμένης 159 166 74 Γλυφάδα - Αθήνα	Τηλ. Φαξ www.blackanddecker.eu	210 8981616 210 8983285
España	Black & Decker Ibérica, S.C.A. Parc de Negocis "Mas Blau" Edificio Muntadas, c/Bergadá, 1, Of. A6 08820 El Prat de Llobregat (Barcelona)	Tel. Fax	934 797 400 934 797 419
France	Black & Decker (France) S.A.S. B.P. 21, 69571 Dardilly Cédex	Tel. Fax	04 72 20 39 20 04 72 20 39 00
Helvetia	ROFO AG Gewerbezone Seeblick 3213 Kleinbödingen	Tel. Fax	026-6749391 026-6749394
Italia	Black & Decker Italia SpA Viale Elvezia 2 20052 Monza (MI)	Tel. Fax Numero verde	039-23871 039-2387592/2387594 800-213935
Nederland	Black & Decker Benelux Joulehof 12, 4622 RG Bergen op Zoom	Tel. Fax	0164 - 283000 0164 - 283100
Norge	Black & Decker (Norge) A/S Postboks 4814, Nydalen, 0422 Oslo Internet: www.blackanddecker.no	Tlf. Fax	22 90 99 00 22 90 99 01
Österreich	Black & Decker Vertriebsges.m.b.H Oberlaaerstraße 246, A1100 Wien	Tel. Fax	01 66116-0 01 66116-14
Portugal	Black & Decker Rua Egas Moniz 173 S. João do Estoril 2766-651 Estoril	Tel. Fax	214667500 214667580
Suomi	Black & Decker Oy Keilasatama 3, 02150 Espoo Black & Decker Oy, Kägelhamnen 3, 02150 Esbo	Puh. Faksi Tel. Fax	010 400 430 (09) 2510 7100 010 400 430 (09) 2510 7100
Sverige	Black & Decker AB Fabriksg. 7, 412 50 Göteborg	Tel. Fax	031-68 60 60 031-68 60 80
United Kingdom	Black & Decker 210 Bath Road Slough, Berkshire SL1 3YD	Tel. Fax Helpline	01753 511234 01753 551155 01753 574277
Middle East & Africa	Black & Decker (Overseas) A.G. PB 5420, Dubai, United Arab Emirates	Tel. Fax	+971 4 2826464 +971 4 2826466