

DEWALT®

www.DEWALT.com

D28730

English (*original instructions*)

3

Français (*traduction de la notice d'instructions originale*)

10

العربية: *مترجم عن التعليمات الأصلية*

18

Figure A

شكل A

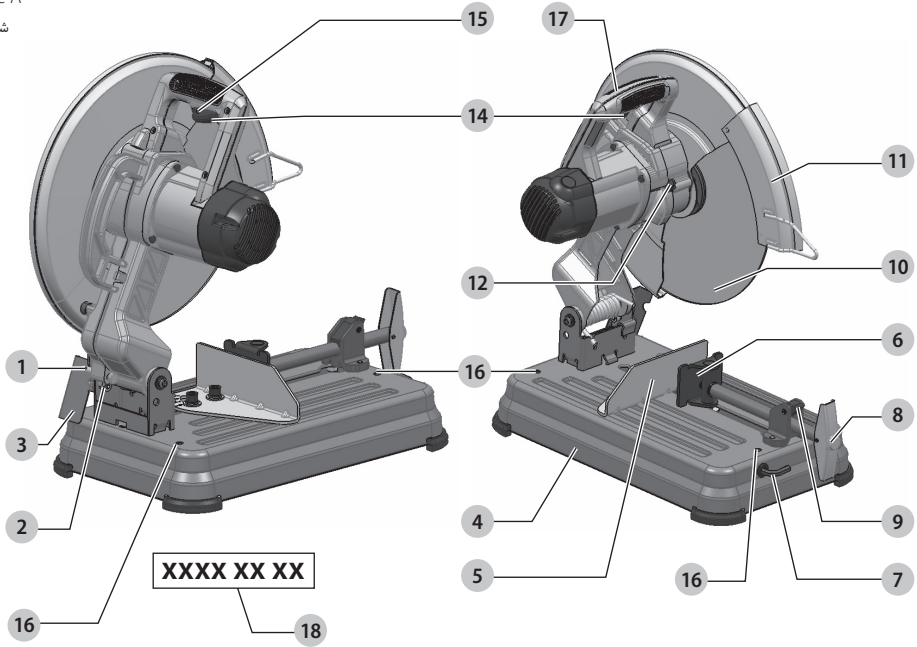


Figure B

شكل B

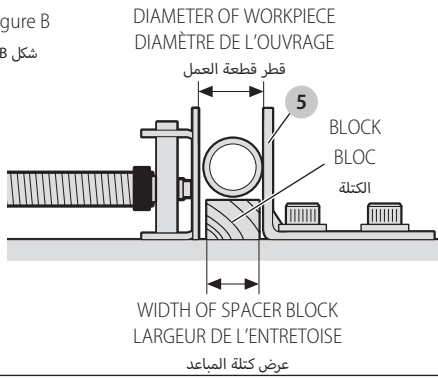


Figure C

شكل C

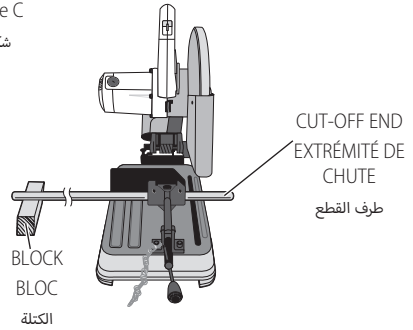


Figure D

شكل D

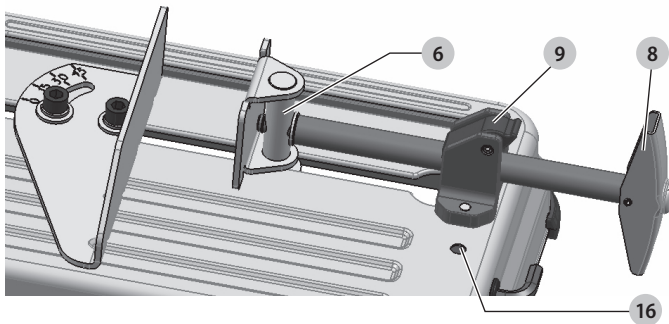


Figure E

شکل E

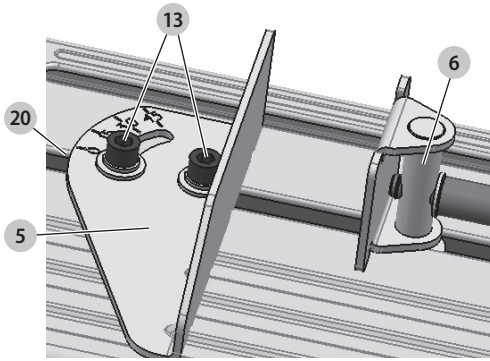


Figure F

شکل F

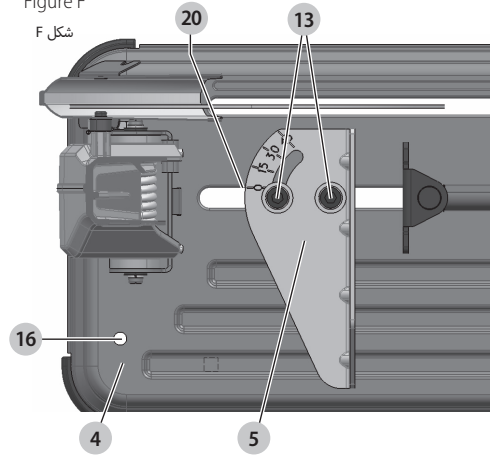


Figure G

شکل G

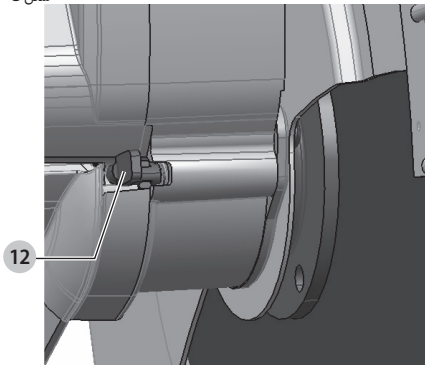


Figure H

شکل H

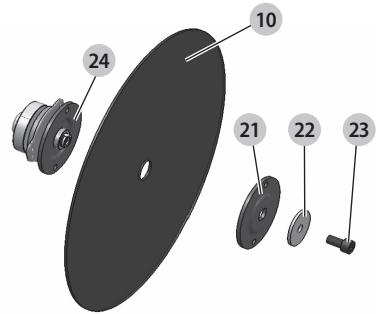
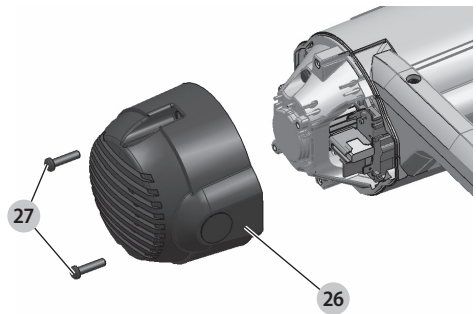
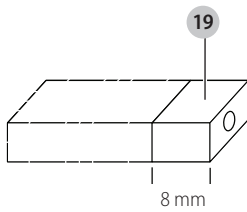


Figure I

شکل I



CHOP SAW

D28730

Congratulations!

You have chosen a DEWALT tool. Years of experience, thorough product development and innovation make DEWALT one of the most reliable partners for professional power tool users.

Technical Data

			D28730
Voltage	V _{AC}	B5	220/240
		ZA	230
Power input	W		2300
Frequency	Hz	B5	50/60
		ZA	50
No-load speed	/min		4000
Wheel diameter	mm		355
Wheel thickness	mm		3.0
Thread size of the spindle			M10
Bore diameter	mm		25.4
Weight	kg		15.5

Definitions: Safety Guidelines

The definitions below describe the level of severity for each signal word. Please read the manual and pay attention to these symbols.



DANGER: Indicates an imminently hazardous situation which, if not avoided, **will** result in **death or serious injury**.



WARNING: Indicates a potentially hazardous situation which, if not avoided, **could** result in **death or serious injury**.



CAUTION: Indicates a potentially hazardous situation which, if not avoided, **may** result in **minor or moderate injury**.

NOTICE: Indicates a practice **not related to personal injury** which, if not avoided, **may** result in **property damage**.



Denotes risk of electric shock.



Denotes risk of fire.



WARNING: To reduce the risk of injury, read the instruction manual.

General Power Tool Safety Warnings



WARNING: Read all safety warnings, instructions, illustrations and specifications provided with this power tool. Failure to follow all instructions listed below may result in electric shock, fire and/or serious injury.

SAVE ALL WARNINGS AND INSTRUCTIONS FOR FUTURE REFERENCE

The term "power tool" in the warnings refers to your mains-operated (corded) power tool or battery-operated (cordless) power tool.

1) Work Area Safety

- Keep work area clean and well lit.** Cluttered or dark areas invite accidents.
- Do not operate power tools in explosive atmospheres, such as in the presence of flammable liquids, gases or dust.** Power tools create sparks which may ignite the dust or fumes.
- Keep children and bystanders away while operating a power tool.** Distractions can cause you to lose control.

2) Electrical Safety

- Power tool plugs must match the outlet. Never modify the plug in any way. Do not use any adapter plugs with earthed (grounded) power tools.** Unmodified plugs and matching outlets will reduce risk of electric shock.
- Avoid body contact with earthed or grounded surfaces such as pipes, radiators, ranges and refrigerators.** There is an increased risk of electric shock if your body is earthed or grounded.
- Do not expose power tools to rain or wet conditions.** Water entering a power tool will increase the risk of electric shock.
- Do not abuse the cord. Never use the cord for carrying, pulling or unplugging the power tool. Keep cord away from heat, oil, sharp edges or moving parts.** Damaged or entangled cords increase the risk of electric shock.
- When operating a power tool outdoors, use an extension cord suitable for outdoor use.** Use of a cord suitable for outdoor use reduces the risk of electric shock.
- If operating a power tool in a damp location is unavoidable, use a residual current device (RCD) protected supply.** Use of an RCD reduces the risk of electric shock.

3) Personal Safety

- Stay alert, watch what you are doing and use common sense when operating a power tool. Do not use a power tool while you are tired or under the influence of drugs, alcohol or medication.** A moment of inattention while operating power tools may result in serious personal injury.
- Use personal protective equipment. Always wear eye protection.** Protective equipment such as a dust mask, non-skid safety shoes, hard hat, or hearing protection used for appropriate conditions will reduce personal injuries.

- c) **Prevent unintentional starting. Ensure the switch is in the off position before connecting to power source and/or battery pack, picking up or carrying the tool.** Carrying power tools with your finger on the switch or energising power tools that have the switch on invites accidents.
- d) **Remove any adjusting key or wrench before turning the power tool on.** A wrench or a key left attached to a rotating part of the power tool may result in personal injury.
- e) **Do not overreach. Keep proper footing and balance at all times.** This enables better control of the power tool in unexpected situations.
- f) **Dress properly. Do not wear loose clothing or jewellery. Keep your hair and clothing away from moving parts.** Loose clothes, jewellery or long hair can be caught in moving parts.
- g) **If devices are provided for the connection of dust extraction and collection facilities, ensure these are connected and properly used.** Use of dust collection can reduce dust-related hazards.
- h) **Do not let familiarity gained from frequent use of tools allow you to become complacent and ignore tool safety principles.** A careless action can cause severe injury within a fraction of a second.

4) Power Tool Use and Care

- a) **Do not force the power tool. Use the correct power tool for your application.** The correct power tool will do the job better and safer at the rate for which it was designed.
- b) **Do not use the power tool if the switch does not turn it on and off.** Any power tool that cannot be controlled with the switch is dangerous and must be repaired.
- c) **Disconnect the plug from the power source and/or remove the battery pack, if detachable, from the power tool before making any adjustments, changing accessories, or storing power tools.** Such preventive safety measures reduce the risk of starting the power tool accidentally.
- d) **Store idle power tools out of the reach of children and do not allow persons unfamiliar with the power tool or these instructions to operate the power tool.** Power tools are dangerous in the hands of untrained users.
- e) **Maintain power tools and accessories. Check for misalignment or binding of moving parts, breakage of parts and any other condition that may affect the power tool's operation. If damaged, have the power tool repaired before use.** Many accidents are caused by poorly maintained power tools.
- f) **Keep cutting tools sharp and clean.** Properly maintained cutting tools with sharp cutting edges are less likely to bind and are easier to control.
- g) **Use the power tool, accessories and tool bits etc., in accordance with these instructions taking into account the working conditions and the work to be performed.** Use of the power tool for operations different from those intended could result in a hazardous situation.

5) Service

- a) **Have your power tool serviced by a qualified repair person using only identical replacement parts.** This will ensure that the safety of the power tool is maintained.

SAFETY INSTRUCTIONS FOR CUT-OFF MACHINES

Cut-Off Machine Safety Warnings

- a) **Position yourself and bystanders away from the plane of the rotating wheel.** The guard helps to protect the operator from broken wheel fragments and accidental contact with wheel.
- b) **Use only bonded reinforced wheels for your power tool.** Just because an accessory can be attached to your power tool, it does not assure safe operation.
- c) **The rated speed of the accessory must be at least equal to the maximum speed marked on the power tool.** Accessories running faster than their rated speed can break and fly apart.
- d) **Wheels must be used only for recommended applications. For example: do not grind with the side of a cut-off wheel.** Abrasive cut-off wheels are intended for peripheral grinding, side forces applied to these wheels may cause them to shatter.
- e) **Always use undamaged wheel flanges that are of correct diameter for your selected wheel.** Proper wheel flanges support the wheel thus reducing the possibility of wheel breakage.
- f) **The outside diameter and the thickness of your accessory must be within the capacity rating of your power tool.** Incorrectly sized accessories cannot be adequately guarded or controlled.
- g) **The arbour size of wheels and flanges must properly fit the spindle of the power tool.** Wheels and flanges with arbour holes that do not match the mounting hardware of the power tool will run out of balance, vibrate excessively and may cause loss of control.
- h) **Do not use damaged wheels. Before each use, inspect the wheels for chips and cracks. If the power tool or wheel is dropped, inspect for damage or install an undamaged wheel. After inspecting and installing the wheel, position yourself and bystanders away from the plane of the rotating wheel and run the power tool at maximum no load speed for one minute.** Damaged wheels will normally break apart during this test time.
- i) **Wear personal protective equipment. Depending on application, use face shield, safety goggles or safety glasses. As appropriate, wear dust mask, hearing protectors, gloves and shop apron capable of stopping small abrasive or workpiece fragments.** The eye protection must be capable of stopping flying

debris generated by various operations. The dust mask or respirator must be capable of filtering particles generated by your operation. Prolonged exposure to high intensity noise may cause hearing loss.

- j) **Keep bystanders a safe distance away from work area. Anyone entering the work area must wear personal protective equipment.** Fragments of workpiece or of a broken wheel may fly away and cause injury beyond immediate area of operation.
- k) **Position the cord clear of the spinning accessory.** If you lose control, the cord may be cut or snagged and your hand or arm may be pulled into the spinning wheel.
- l) **Regularly clean the power tool's air vents.** The motor's fan can draw the dust inside the housing and excessive accumulation of powdered metal may cause electrical hazards.
- m) **Do not operate the power tool near flammable materials. Do not operate the power tool while placed on a combustible surface such as wood.** Sparks could ignite these materials.
- n) **Do not use accessories that require liquid coolants.** Using water or other liquid coolants may result in electrocution or shock.

Kickback and Related Warnings

Kickback is a sudden reaction to a pinched or snagged rotating wheel. Pinching or snagging causes rapid stalling of the rotating wheel which in turn causes the uncontrolled cutting unit to be forced upwards toward the operator.

For example, if an abrasive wheel is snagged or pinched by the workpiece, the edge of the wheel that is entering into the pinch point can dig into the surface of the material causing the wheel to climb out or kick out. Abrasive wheels may also break under these conditions.

Kickback is the result of power tool misuse and/or incorrect operating procedures or conditions and can be avoided by taking proper precautions as given below.

- a) **Maintain a firm grip on the power tool and position your body and arm to allow you to resist kickback forces.** The operator can control upward kickback forces, if proper precautions are taken.
- b) **Do not position your body in line with the rotating wheel.** If kickback occurs, it will propel the cutting unit upwards toward the operator.
- c) **Do not attach a saw chain, woodcarving blade, segmented diamond wheel with a peripheral gap greater than 10 mm or toothed saw blade.** Such blades create frequent kickback and loss of control.
- d) **Do not "jam" the wheel or apply excessive pressure. Do not attempt to make an excessive depth of cut.** Overstressing the wheel increases the loading and susceptibility to twisting or binding of the wheel in the cut and the possibility of kickback or wheel breakage.
- e) **When the wheel is binding or when interrupting a cut for any reason, switch off the power tool and hold the cutting unit motionless until the wheel**

comes to a complete stop. Never attempt to remove the wheel from the cut while the wheel is in motion otherwise kickback may occur. Investigate and take corrective action to eliminate the cause of wheel binding.

- f) **Do not restart the cutting operation in the workpiece. Let the wheel reach full speed and carefully re-enter the cut.** The wheel may bind, walk up or kickback if the power tool is restarted in the workpiece.
- g) **Support any oversized workpiece to minimize the risk of wheel pinching and kickback. Large workpieces tend to sag under their own weight.** Supports must be placed under the workpiece near the line of cut and near the edge of the workpiece on both sides of the wheel.

Additional Safety Instructions for Chopsaws

- **Always wear proper eye and respiratory protection and a leather apron.**
- **Before using, inspect the cutting wheel for cracks or flaws. If such a crack or flaw is evident, discard the wheel. The wheel should also be inspected whenever you think the tool may have been dropped. Flaws may cause wheel breakage.**
- **When starting the tool with a new or replacement wheel or if you are unsure of the condition of the wheel, hold the tool in a well protected area and let it run for one minute.** If the wheel has an undetected crack or flaw, it should burst in less than one minute. Never start the tool with a person in line with the wheel. This includes the operator.
- **In operation, avoid bouncing the wheel or giving it rough treatment.** If this occurs, stop the tool and inspect the wheel for cracks or flaws.
- Clean your chop saw periodically following the procedure in this manual.
- Never use the machine without the guards in place.
- Do not remove base.
- **Cut-off machines** shall be provided with the means to facilitate the fixing of the machine to a bench to prevent sliding; e.g. by providing holes or clamping surfaces in the base.
- **ALWAYS USE THE VISE OR SPECIAL FIXTURE TO CLAMP WORK SECURELY.** Other aids such as spring, bar, or C-clamps may be appropriate for certain sizes and shapes of workpiece. Use care in selecting and placing these clamps and make a dry run before making a cut.
- Use only 355 mm type 1 wheels rated at 4000 rpm or higher.
- Allow cut off parts to cool before handling.
- Do not attempt to cut wood or plastic with this tool.
- **NEVER CUT MAGNESIUM WITH THIS TOOL.**
- Use chop saw in a well-ventilated area.
- Turn chop saw off before removing any pieces from the base.
- **DO NOT CUT ELECTRICALLY LIVE MATERIAL.**
- **Do not use circular saw blades or any other toothed blades with this tool.** Serious injury may result.

- **DO NOT OPERATE THIS TOOL NEAR FLAMMABLE LIQUIDS, GASES OR DUST.** Sparks or hot chips from cutting or arcing motor brushes may ignite combustible materials.
- Ensure that the abrasive wheel is correctly fitted and tightened before use.
- Let the tool run at no-load in a safe position for at least 1 minute. If there is a considerable vibration or if any other defect occurs, stop the tool and check it to determine the cause.
- Ensure that ventilation slots are kept clear when working in dusty conditions. First disconnect the machine from the mains supply then clean the openings by using a soft brush.
- Do not use the side of the abrasive wheel as a deburring grinder. This will substantially weaken the wheel creating an unsafe condition. The wheel may come apart.
- The wheel continues to rotate after the machine is switched off.



WARNING: Wear appropriate hearing protection during use. Under some conditions and duration of use, noise from this product may contribute to hearing loss.



CAUTION: Spark deflector will get hot. Avoid touching or adjusting while hot. Keep cordset and materials away from spark deflector.

- **Avoid prolonged contact with dust from cutting activity.** Wear protective clothing and wash exposed areas with soap and water. Allowing dust to get into your mouth, eyes, or lay on the skin may promote absorption of harmful chemicals.
- Do not use toothed blades.
- Always store cutting discs well-protected and in a dry place, out of reach of children.
- Do not expose to rain or use in damp locations.
- Only use chop saw wheel of a max. thickness of 3.0 mm and a max. diameter of 355 mm.



WARNING: We recommend the use of a residual current device with a residual current rating of 30mA or less.

Residual Risks

The following risks are inherent to the use of these machines:

- Injuries caused by touching the rotating parts.
- Injuries caused by disruption of the cutting disc.

These risks are most evident:

- Within the range of operation.
- Within the range of the rotating machine parts.

In spite of the application of the relevant safety regulations and the implementation of safety devices, certain residual risks cannot be avoided. These are:

- Impairment of hearing.
- Risk of accidents caused by the uncovered parts of the rotating cutting disc.
- Risk of injury when changing the disc.
- Risk of squeezing fingers when opening the guards.

Electrical Safety

The electric motor has been designed for one voltage only. Always check that the power supply corresponds to the voltage on the rating plate.



Your DEWALT tool is double insulated in accordance with EN62841; therefore no earth wire is required.

If the supply cord is damaged, it must be replaced by a specially prepared cord available through the DEWALT service organisation.

Mains Plug Replacement (Middle East and Africa)

If a new mains plug needs to be fitted:

- Safely dispose of the old plug.
- Connect the brown lead to the live terminal in the plug.
- Connect the blue lead to the neutral terminal.



WARNING: No connection is to be made to the earth terminal.

Follow the fitting instructions supplied with good quality plugs. Recommended fuse: 13 A.

Using an Extension Cable

If an extension cable is required, use an approved 3-core extension cable suitable for the power input of this tool (see **Technical Data**). The minimum conductor size is 1.5 mm²; the maximum length is 30 m.

When using a cable reel, always unwind the cable completely.

Voltage Drops

Inrush currents cause short-time voltage drops. Under unfavourable power supply conditions, other equipment may be affected.

If the system impedance of the power supply is lower than 0.11 Ω, disturbances are unlikely to occur.

Power Supply

Be sure your power supply agrees with the nameplate marking. A voltage decrease of more than 10% will cause a loss of power and overheating.

Package Contents

The package contains:

- 1 Chop saw
 - 1 Hex key
 - 1 Wheel
 - 1 Instruction manual
- Check for damage to the tool, parts or accessories which may have occurred during transport.
 - Take the time to thoroughly read and understand this manual prior to operation.

Markings on Tool

The following pictograms are shown on the tool:



Read instruction manual before use.



Wear ear protection.



Wear eye protection.



Bore diameter.

Date Code Position (Fig. A)

The date code **18**, which also includes the year of manufacture, is printed into the housing.

Example:

2018 XX XX
Year of Manufacture

Description (Fig. A, E)



WARNING: Never modify the power tool or any part of it. Damage or personal injury could result.

- | | |
|-------------------------|---------------------|
| 1 Lock pin | 10 Wheel |
| 2 Spark deflector screw | 11 Guard |
| 3 Spark deflector | 12 Spindle lock |
| 4 Base | 13 Fence bolts |
| 5 Fence | 14 Trigger switch |
| 6 Vise | 15 Padlock hole |
| 7 8 mm Hex key | 16 Mounting holes |
| 8 Crank | 17 Operating handle |
| 9 Vise lever | 18 Date code |

Intended Use

Your D28730 chop saw has been designed for the cutting of variously shaped steel materials.

DO NOT use under wet conditions or in the presence of flammable liquids or gases.

The D28730 chop saw is a professional power tool.

DO NOT let children come into contact with the tool.

Supervision is required when inexperienced operators use this tool.

- This product is not intended for use by persons (including children) suffering from diminished physical, sensory or mental abilities; lack of experience, knowledge or skills unless they are supervised by a person responsible for their safety. Children should never be left alone with this product.

Cutting Capacity

The wide vise opening and high pivot point provide cutting capacity for many large pieces. Use the cutting capacity chart to determine total maximum size of cuts that can be made with a new wheel.



CAUTION: CERTAIN LARGE, CIRCULAR OR IRREGULARLY SHAPED OBJECTS MAY REQUIRE ADDITIONAL HOLDING MEANS IF THEY CANNOT BE HELD SECURELY IN VISE.



CAUTION: DO NOT CUT MAGNESIUM WITH THIS TOOL.

Maximum Cutting Capacity

NOTE: Capacity shown on chart assumes no wheel wear and optimum fence position.

Workpiece Shape				
90° Cutting angle	A = 130 mm	A = 120 mm	115 mm x 130 mm	A = 135 mm
45° Cutting angle	A = 115 mm	A = 102 mm	110 mm x 102 mm	A = 110 mm

OPERATION

Instructions for Use



WARNING: Always observe the safety instructions and applicable regulations.

To Carry (Fig. A)

Fold down unit to position where you can carry the saw. Push in lock pin **1** to lock arm down.

Unlocking (Fig. A)

To unlock tool and raise head, depress motor arm slightly and pull lock pin **1** out. Motor arm will then pivot upward.

Mounting (Fig. D, F)



CAUTION: Tool must be supported on stable, level, non-skid surface to prevent unexpected movement when operating.

- Drill holes through the work surface that align the base of the chop saw.
- Insert two M10 bolts down through the mounting holes **16** in the base and through holes in mounting surface. The approximate length of the screws should be the thickness of the mounting surface plus 102 mm.

Proper Hand Position (Fig. A)



WARNING: To reduce the risk of serious personal injury, **ALWAYS** use proper hand position as shown.



WARNING: To reduce the risk of serious personal injury, **ALWAYS** hold securely in anticipation of a sudden reaction.

Proper hand position requires one hand on the operating handle **17**, with the other hand guiding the workpiece.

Spark Deflector Adjustment (Fig. A)

To best deflect sparks away from surrounding persons and materials, loosen the spark deflector screw **2**, adjust the spark deflector **3** and then retighten screw. Do not allow cordset to come into contact with deflector or sparks as damage to cordset may occur.

Trigger Switch (Fig. A)

To start the tool, depress the trigger switch **14**. To turn the tool off, release the trigger switch. Keep hands and material from wheel until it has coasted to a stop.

To prevent unauthorized use of tool, install a standard padlock (not included) into the padlock hole **15** located in the trigger.

Material Clamping and Supporting (Fig. B, C)

- Angles are best clamped and cut with both legs resting against base.
- A spacer block slightly narrower than the workpiece can be used to increase wheel utilization (Fig. B).
- Long workpieces must be supported by a block so it will be level with top of base (Fig. C). The cut off end should be free to fall downward to avoid wheel binding.

Vise Operation (Fig. D)

The vise **6** has a quick-travel feature. To release the vise when it is clamped tightly, turn the crank **8** counterclockwise one or two times to remove clamping pressure. Lift vise lever **9** up. Pull crank assembly out as far as desired. Vise may be pushed forward into work without cranking. Lower vise lever **9** then tighten vise **6** on work by using crank **8**.

Fence Operation (Fig. A, E, F)

The fence **5** can be adjusted two ways: to change desired cutting angle and to change spacing between the fence and vise.

To Change the Desired Cutting Angle

1. Use the hex key **7** provided to loosen (do not remove) the two fence bolts **13**. Align the desired angle indicator line with the slot line **20** in the base **4**. Securely tighten both fence bolts before use.
2. For more accurate square cuts, disconnect the power supply, loosen the two fence bolts, push arm down until wheel extends into base. Place a square against the wheel and adjust fence against the square. Securely tighten both fence bolts before use.
3. When making a miter cut, the vise **6** may not clamp securely, depending on the thickness of the workpiece and the miter angle. Other aids (such as spring, bar or C-clamps) will be necessary to secure the workpiece to the fence when making these cuts.

To Change Spacing Between the Fence and Vise

Using the hex key **7** provided, loosen (do not remove) the two fence bolts **13**. Adjust the fence **5** to desired locations. Insert both fence bolts in provided locations. Securely tighten both fence bolts before use.

Removal and Installation of Wheels

(Fig. A, G, H)



WARNING: Turn off and unplug the tool before making any adjustments or removing or installing attachments or accessories. Be sure the trigger

switch is in the OFF position. Do not make any adjustment while the wheel is in motion. Do not make any adjustment while chop saw is plugged into power supply.



WARNING: Always keep the screw attached to the guard and make sure the center guard is in the right position after replacing wheel and before use, to protect user from high speed rotating wheel.

1. Push in spindle lock **12** and rotate wheel **10** by hand until wheel lock lever engages slot in inside flange **24** to lock wheel. Loosen the bolt **23** counterclockwise in the center of the abrasive wheel with the included hex key **7**. Bolt has right-hand thread.
2. Remove the bolt **23**, washer **22**, outside flange **21** and old wheel **10**.
3. Make sure flange surfaces are clean and flat. Install the new abrasive wheel by reversing the above steps.
4. Do not overtighten bolt.



WARNING: Check the work surface that the chop saw rests on when replacing with a new abrasive wheel. It is possible that the wheel may contact ANY ITEMS OR STRUCTURE THAT EXTENDS ABOVE work surface (under the base) when the arm is fully lowered.

Operation Tips for More Accurate Cuts

- Allow the wheel to do the cutting. Excessive force will cause the wheel to glaze reducing cutting efficiency and/or to deflect causing inaccurate cuts.
- Properly adjust fence angle.
- Make sure material is laying flat across base.
- Properly clamp material to avoid movement and vibration.

MAINTENANCE

Your DEWALT power tool has been designed to operate over a long period of time with a minimum of maintenance. Continuous satisfactory operation depends upon proper tool care and regular cleaning.



WARNING: To reduce the risk of serious personal injury, turn tool off and disconnect tool from power source before making any adjustments or removing/installing attachments or accessories. An accidental start-up can cause injury.

Motor Brush Inspection and Replacement (Fig. I)

BE SURE TOOL IS UNPLUGGED BEFORE INSPECTING BRUSHES. Brushes should be regularly inspected for wear. To inspect brushes, unscrew the two end cap screws **27** and remove the end cap **26**. To remove each brush **19**, first unplug the shunt wire terminal connection. Then carefully back the brush spring out of the brush box and remove brush. Brushes should slide freely in brush box. If brushes are worn down to 8 mm as shown in Figure I, they should be replaced.

To reinstall each brush, carefully back the spring out of the brush box, insert the brush and return the spring making sure it is pressing on the brush and not touching the brush box.

Reconnect shunt wire terminal, then replace the end cap and two screws.



Lubrication

Your power tool requires no additional lubrication.



Cleaning



WARNING: Blow dirt and dust out of the main housing with dry air as often as dirt is seen collecting in and around the air vents. Wear approved eye protection and approved dust mask when performing this procedure.



WARNING: Never use solvents or other harsh chemicals for cleaning the non-metallic parts of the tool. These chemicals may weaken the materials used in these parts. Use a cloth dampened only with water and mild soap. Never let any liquid get inside the tool; never immerse any part of the tool into a liquid.

Optional Accessories



WARNING: Since accessories, other than those offered by DEWALT, have not been tested with this product, use of such accessories with this tool could be hazardous. To reduce the risk of injury, only DEWALT recommended accessories should be used with this product.

Consult your dealer for further information on the appropriate accessories.

Protecting the Environment



Separate collection. Products and batteries marked with this symbol must not be disposed of with normal household waste.

Products and batteries contain materials that can be recovered or recycled reducing the demand for raw materials. Please recycle electrical products and batteries according to local provisions. Further information is available at www.2helpU.com.

TRONÇONNEUSE

D28730

Félicitations !

Vous avez choisi un outil DEWALT. Des années d'expertise dans le développement et l'innovation de ses produits ont fait de DEWALT, le partenaire privilégié des utilisateurs professionnels d'outils électriques.

Fiche technique

			D28730
Tension	V _{AC}	B5	220/240
		ZA	230
Puissance consommée	W		2300
Fréquence	Hz	B5	50/60
		ZA	50
Vitesse à vide	/min		4000
Diamètre de meule	mm		355
Épaisseur de meule	mm		3,0
Taille de filet de la broche			M10
Diamètre d'alsage	mm		25,4
Poids	kg		15,5

Définitions : consignes de sécurité

Les définitions ci-dessous décrivent le niveau de gravité de chaque mot signalétique. Lisez le manuel de l'utilisateur et soyez attentif à ces symboles.



DANGER : indique une situation dangereuse imminente qui, si elle n'est pas évitée, **entraînera des blessures graves ou mortelles**.



AVERTISSEMENT : indique une situation dangereuse potentielle qui, si elle n'est pas évitée, pourrait entraîner **des blessures graves ou mortelles**.



ATTENTION : indique une situation dangereuse potentielle qui, si elle n'est pas évitée, pourrait entraîner **des blessures minimes ou modérées**.

AVIS : indique une pratique ne **posant aucun risque de dommages corporels**, mais qui par contre, si rien n'est fait pour l'éviter, **pourrait poser des risques de dommages matériels**.



Indique un risque d'électrocution.



Indique un risque d'incendie.



AVERTISSEMENT : afin de réduire le risque de blessure, lisez le manuel d'instruction.

Consignes de sécurité générales propres aux outils électriques



AVERTISSEMENT : veuillez lire tous les avertissements de sécurité, toutes les instructions, toutes les illustrations et toutes les spécifications fournies avec cet outil électrique. Le non-respect de toutes les instructions listées ci-dessous peut conduire à des chocs électriques, des incendies et/ou de graves blessures.

CONSERVER TOUTES CES DIRECTIVES ET CONSIGNES À TITRE DE RÉFÉRENCE

Le terme « outil électrique » mentionné dans les avertissements ci-après se rapporte aux outils alimentés sur secteur (avec fil) ou par piles (sans fil).

1) Sécurité – Aire de Travail

- Maintenir l'aire de travail propre et bien éclairée.** Les lieux sombres ou encombrés sont propices aux accidents.
- Ne pas utiliser un outil électrique dans un milieu déflagrant, comme en présence de liquides, gaz ou poussières inflammables.** Les outils électriques peuvent produire des étincelles qui pourraient enflammer toute émanation ou poussière ambiante.
- Maintenir à l'écart les enfants, ou toute autre personne, lors de l'utilisation d'un outil électrique.** Toute distraction pourrait faire perdre la maîtrise de l'appareil.

2) Sécurité – Électricité

- La fiche électrique de l'outil doit correspondre à la prise murale. Ne modifier la fiche en aucune façon. Ne pas utiliser de fiche d'adaptation avec un outil électrique mis à la terre (masse).** L'utilisation de fiches d'origine et de prises appropriées réduira tout risque de décharges électriques.
- Éviter tout contact corporel avec des éléments mis à la terre comme : tuyaux, radiateurs, cuisinières ou réfrigérateurs.** Les risques de décharges électriques augmentent lorsque le corps est mis à la terre.
- Ne pas exposer les outils électriques à la pluie ou à l'humidité.** Tout contact d'un outil électrique avec un liquide augmente les risques de décharges électriques.
- Ne pas utiliser le cordon de façon abusive. Ne jamais utiliser le cordon pour transporter, tirer ou débrancher un outil électrique. Protéger le cordon de toute source de chaleur, de l'huile, et de tout bord tranchant ou pièce mobile.** Les cordons endommagés ou emmêlés augmentent les risques de décharges électriques.
- En cas d'utilisation d'un outil électrique à l'extérieur, utiliser systématiquement une rallonge conçue à cet effet.** Cela diminuera tout risque de décharges électriques.

- f) *Si on ne peut éviter d'utiliser un outil électrique en milieu humide, utiliser un circuit protégé par un dispositif de courant résiduel (RCD). Cela réduira tout risque de décharges électriques.*

3) Sécurité Individuelle

- a) **Rester systématiquement vigilant et faire preuve de jugement lorsqu'on utilise un outil électrique. Ne pas utiliser d'outil électrique en cas de fatigue ou sous l'influence de drogues, d'alcool ou de médicaments.** Tout moment d'inattention pendant l'utilisation d'un outil électrique comporte des risques de dommages corporels graves.
- b) **Porter un équipement de protection individuel. Porter systématiquement un dispositif de protection oculaire.** Le fait de porter un masque anti-poussières, des chaussures antidérapantes, un casque de sécurité ou un dispositif de protection auditive, lorsque la situation le requiert, réduira les risques de dommages corporels.
- c) **Prévenir tout démarrage accidentel. S'assurer que l'interrupteur est en position d'arrêt avant de brancher l'outil sur le secteur et/ou à la batterie, ou de le ramasser ou le transporter.** Transporter un outil le doigt sur l'interrupteur ou brancher un outil électrique alors que l'interrupteur est en position de marche invite les accidents.
- d) **Retirer toute clé de réglage avant de démarrer l'outil.** Une clé laissée sur une pièce rotative d'un outil électrique comporte des risques de dommages corporels.
- e) **Adopter une position stable. Maintenir les pieds bien ancrés au sol et conserver son équilibre en permanence.** Cela permettra de mieux maîtriser l'outil électrique en cas de situations imprévues.
- f) **Portez des vêtements adaptés. Ne portez pas de vêtements amples, ni de bijoux. Gardez vos cheveux et vos vêtements éloignés des pièces mobiles.** Les vêtements amples, les bijoux ou les cheveux longs peuvent être happés par les pièces mobiles.
- g) **Lorsqu'un dispositif de connexion à un système de dépoussiérage ou d'élimination est fourni, s'assurer qu'il est branché et utilisé correctement.** L'utilisation de ces dispositifs peut réduire les risques engendrés par les poussières.
- h) *Ne pensez pas être à ce point familiarisé avec l'outil après l'avoir utilisé de nombreuses reprises, au point de ne plus rester vigilant et d'en oublier les consignes de sécurité. Toute action imprudente peut engendrer de graves blessures en une fraction de seconde.*

4) Utilisation et Entretien des Outils Électriques

- a) **Ne pas forcer un outil électrique. Utiliser l'outil approprié au travail en cours.** L'outil approprié effectuera un meilleur travail, de façon plus sûre et à la vitesse pour laquelle il a été conçu.

- b) **Ne pas utiliser un outil électrique dont l'interrupteur est défectueux.** Tout appareil dont l'interrupteur est défectueux est dangereux et doit être réparé.
- c) **Débranchez la prise du secteur et/ou retirez le bloc-batterie de l'outil électrique s'il est amovible, avant d'effectuer tout réglage, de changer un accessoire ou de ranger l'outil électrique.** Ces mesures de sécurité préventives réduisent le risque de démarrage accidentel de l'outil électrique.
- d) **Après utilisation, ranger les outils électriques hors de portée des enfants et ne permettre à aucune personne non familière avec son fonctionnement (ou sa notice d'instructions) de l'utiliser.** Les outils peuvent être dangereux entre des mains inexpérimentées.
- e) **Entretenez vos outils électriques et leurs accessoires. Vérifiez que les pièces mobiles sont alignées correctement et qu'elles ne sont pas coincées. Vérifiez qu'aucune pièce n'est cassée et contrôlez l'absence de toute autre condition qui pourrait nuire au bon fonctionnement de l'outil. En cas de dommage, faites réparer l'outil électrique avant de l'utiliser.** De nombreux accidents sont provoqués par des outils électriques mal entretenus.
- f) **Maintenir tout organe de coupe propre et bien affûté.** Les outils de coupe bien entretenus et affûtés sont moins susceptibles de se coincer et sont plus faciles à contrôler.
- g) **Utiliser un outil électrique, ses accessoires, mèches, etc., conformément aux présentes directives et suivant la manière prévue pour ce type particulier d'outil électrique, en tenant compte des conditions de travail et de la tâche à effectuer.** L'utilisation d'un outil électrique à des fins autres que celles prévues est potentiellement dangereuse.

5) Réparation

- a) **Faire entretenir les outils électriques par un réparateur qualifié en n'utilisant que des pièces de rechange identiques.** Cela permettra de préserver l'intégrité de l'outil électrique et la sécurité de l'utilisateur.

CONSIGNES DE SÉCURITÉ LIÉES AUX MACHINES À TRONÇONNER

Avertissements de sécurité liés aux machines à tronçonner

- a) **Éloignez-vous et les autres personnes du plan de rotation du disque.** Le protège-lame aide à protéger l'utilisateur contre toute projection de fragments de disque en cas de rupture et contre tout contact accidentel avec le disque.
- b) **N'utilisez que des disques à tronçonner renforcés à liant avec votre outil électrique.** Le fait qu'un accessoire peut être fixé sur votre outil électrique ne veut pas automatiquement dire que son utilisation est sansrisques.

- c) **La vitesse nominale des accessoires doit être au moins équivalente à celle indiquée sur l'outil électrique.** Les accessoires qui tournent plus vite que leur vitesse nominale peuvent rompre et voler en éclats.
- d) **Les disques ne doivent être utilisés que pour les applications recommandées. Ne meulez par exemple pas avec le côté d'un disque à tronçonner.** Les disques abrasifs sont prévus pour le meulage périphérique, toute force latérale appliquée sur ces disques peut les faire voler en éclats.
- e) **N'utilisez que des brides de disques en parfait état et du bon diamètre pour le disque choisi.** Les brides de disque servent de support aux disques, réduisant ainsi les possibilités de rupture.
- f) **Le diamètre extérieur et l'épaisseur de votre accessoire doivent correspondre à la valeur nominale de la capacité de votre outil électrique.** Des accessoires mal dimensionnés ne peuvent pas être correctement protégés et contrôlés.
- g) **La taille de l'axe des disques et des brides doit correspondre à l'axe de l'outil électrique.** Les disques et les brides dont les orifices ne correspondent pas aux éléments de fixation de l'outil électrique sont déséquilibrés, ils vibrent de façon excessive et peuvent provoquer une perte de contrôle.
- h) **N'utilisez pas de disques endommagés. Avant chaque utilisation, vérifiez l'absence de débris et de fissures sur les disques. Si l'outil électrique ou le disque tombent, contrôlez l'absence de dommages ou installez un disque en bon état. Après l'inspection et l'installation du disque, placez-vous et les autres personnes loin du plan de rotation du disque et laissez tourner l'outil électrique à sa vitesse à vide maximale pendant une minute.** Les disques endommagés se brisent généralement au cours de cette durée de test.
- i) **Portez des équipements de protection individuelle. En fonction de l'intervention, utilisez un écran facial ou des lunettes de protection. Si approprié, portez un masque anti-poussière, des protections auditives, des gants et un tablier d'atelier capables de stopper tout fragment abrasif ou provenant de la pièce à tronçonner. La protection oculaire doit être capable d'arrêter les débris générés par les diverses opérations.** Le masque anti-poussière ou le respirateur doivent pouvoir filtrer les particules générées par votre intervention. Les expositions prolongées à un niveau de bruit élevé peuvent provoquer une perte de l'ouïe.
- j) **Maintenez tous les spectateurs à une distance sûre de la zone d'intervention. Toute personne qui pénètre dans la zone de travail doit porter des équipements de protection individuelle.** Des fragments de la pièce à scier ou d'un disque brisé peuvent être éjectés et provoquer des blessures en dehors de la zone d'intervention immédiate.
- k) **Maintenez le cordon électrique loin de l'accessoire en rotation.** En cas de perte de contrôle, le cordon peut être sectionné ou abîmé et vos bras ou mains peuvent entrer en contact avec le disque en rotation.
- l) **Nettoyez régulièrement les orifices d'aération de l'outil électrique.** Le ventilateur du moteur attire la poussière à l'intérieur du boîtier et une accumulation excessive de poussières métalliques peut conduire à un risque électrique.
- m) **Ne faites pas fonctionner l'outil électrique à proximité de matières inflammables. Ne faites pas fonctionner l'outil électrique s'il se trouve sur une surface inflammable, comme du bois par exemple.** Des étincelles pourraient enflammer ces matières.
- n) **N'utilisez pas d'accessoires nécessitant l'utilisation de fluides de refroidissement.** L'utilisation d'eau ou de tout autre fluide de refroidissement peut provoquer une électrocution ou un choc électrique.

Rebond et avertissements liés

Le rebond est une réaction soudaine en cas de coincement ou de grippage du disque en rotation. Le coincement ou le grippage provoquent un calage soudain du disque en rotation qui entraîne ensuite l'organe de coupe vers le haut, dans la direction de l'utilisateur.

Par exemple, si un disque abrasif reste grippé ou pincé dans l'ouvrage, le bord du disque engagé au point de grippage peut creuser la surface du matériau et provoquer le soulèvement ou le rebond du disque. Dans ces conditions, il peut aussi arriver que les disques abrasifs se brisent.

Les rebonds proviennent d'une utilisation inappropriée de l'outil électrique et/ou de conditions ou de procédures d'exécution incorrectes et ils peuvent être évités en prenant les précautions adéquates énoncées ci-dessous.

- a) **Maintenez fermement l'outil électrique en plaçant votre corps et votre bras de manière à pouvoir résister à la force d'un rebond.** L'utilisateur peut contrôler les forces verticales des rebonds si les précautions adéquates sont prises.
- b) **Ne placez pas votre corps dans l'alignement du disque en rotation.** En cas de rebond, l'organe de coupe est entraîné vers le haut, en direction de l'utilisateur.
- c) **N'installez pas de chaînes de scie, de lames à sculpter le bois, de disques diamant segmentés dont l'écartement périphérique est supérieur à 10 mm ou de lames de scie à dents.** Ces lames provoquent de fréquents rebonds ou pertes de contrôle.
- d) **Ne coincez pas le disque à tronçonner et n'exercez pas une trop forte pression dessus. Ne tentez pas de réaliser des découpes de trop grande profondeur.** Une pression excessive sur le disque augmente la contrainte sur l'outil et les possibilités de torsion ou de grippage du disque dans la coupe et par conséquent les risques de rebonds ou de ruptures.
- e) **Si le disque se coince ou si la coupe est interrompue pour une raison quelconque, éteignez l'outil et**

maintenez-le immobile, jusqu'à ce que le disque se soit complètement arrêté. Ne tentez jamais de retirer le disque de la coupe s'il est en mouvement, au risque de provoquer un rebond. Cherchez la cause du grippage du disque et appliquez les actions correctives afin de la supprimer.

- f) **Ne relancez par la coupe dans l'ouvrage. Laissez le disque tourner à plein régime puis réinsérez-le prudemment dans la coupe.** Le disque pourrait sinon se gripper, sortir de la coupe ou rebondir si l'outil électrique était remis en marche à l'intérieur de la pièce à tronçonner.
- g) **Soutenez les grandes pièces afin de minimiser tout risque de grippage ou de rebond du disque. Les pièces de grande taille ont tendance à s'affaisser sous leur propre poids.** Des supports doivent être placés sous la pièce à tronçonner, près de la ligne de découpe et sur les bords, des deux côtés du disque.

Instructions de sécurité supplémentaires pour les tronçonneuses à disque

- **Toujours porter une protection des yeux et respiratoire appropriée, ainsi qu'un tablier en cuir.**
 - **Avant l'utilisation, vérifiez l'absence de fissures ou de défauts sur le disque de coupe. En cas de fissures ou défauts manifestes, mettez le meule au rebut. La meule doit toujours être inspectée si vous pensez que l'outil est tombé. Les défauts peuvent causer une rupture de la meule.**
 - **Lors du démarrage de l'outil avec une meule neuve ou de rechange ou si vous n'êtes pas sûr de l'état de la meule, tenez l'outil dans une zone bien protégée et laissez-le fonctionner pendant une minute.** Si la meule possède une fissure ou un défaut indélécelable, elle devrait éclater en moins d'une minute. Ne jamais démarrer l'outil si une personne se trouve dans l'alignement de la meule. Ceci est également valable pour l'opérateur.
 - **Lors de l'utilisation, évitez de faire rebondir la meule ou de la maltraiter.** Si cela se produit, arrêtez l'outil et vérifiez l'absence de fissures ou de défauts sur la meule.
 - Nettoyez votre tronçonneuse périodiquement en suivant la procédure de ce manuel.
 - N'utilisez jamais la machine si les carters de protection ne sont pas en place.
 - Ne pas retirer la base.
 - **Les machines à tronçonner doivent être équipées de moyens facilitant leur fixation à un établi afin d'empêcher qu'elles ne glissent, comme par exemple des trous ou des surfaces de fixation sur leur base.**
 - **UTILISEZ TOUJOURS L'ÉTAU OU UN DISPOSITIF SPÉCIAL POUR SERRER L'OUVRAGE DE MANIÈRE SÛRE.** D'autres accessoires tels que ressorts, barres ou serre-joint en C peuvent être adaptés à certaines tailles et formes d'ouvrage. Choisir soigneusement et placer ces fixations, puis effectuer un essai à vide avant de réaliser une coupe.
 - Utiliser uniquement des meules de 355 mm type 1 fonctionnant à 4000 tr/min ou plus.
 - Laisser les pièces coupées refroidir avant de les manipuler.
 - Ne pas tenter de couper du bois ou du plastique avec cet outil.
 - **NE JAMAIS COUPER DE MAGNÉSIUM AVEC CET OUTIL.**
 - Utiliser la tronçonneuse dans un lieu bien ventilé.
 - Arrêter la tronçonneuse avant de retirer toute pièce de la base.
 - **NE PAS COUPER LES MATÉRIELS SOUS TENSION.**
 - **Ne pas utiliser les lames de scie circulaire ou les autres lames dentées avec cet outil.** Risque de blessures graves.
 - **NE PAS UTILISER CET OUTIL À PROXIMITÉ DE LIQUIDES, GAZ OU POUSSIÈRES INFLAMMABLES.** Les étincelles ou les copeaux chauds générés par la coupe ou la formation d'arc électrique des charbons du moteur peuvent enflammer les matériaux combustibles.
 - S'assurer que le meule abrasive est correctement montée et serrée avant l'utilisation.
 - Laisser l'outil fonctionner à vide en position de sécurité pendant au moins 1 minute. En cas de vibrations considérables ou si tout autre défaut se produit, arrêter l'outil et le contrôler pour déterminer la cause.
 - S'assurer que les orifices de ventilation ne sont pas obstrués lors du travail dans les environnements poussiéreux. Débrancher d'abord la machine de l'alimentation, puis nettoyer les orifices avec une brosse souple.
 - Ne pas utiliser le côté d'une meule abrasive pour l'ébavurage. Cela affaiblira considérablement la meule et créera une condition instable. La meule peut se détacher.
 - La meule continue à tourner après l'arrêt de la machine.
- ⚠ AVERTISSEMENT : porter une protection de l'ouïe appropriée durant l'utilisation.** Dans certaines conditions et durées d'utilisation, le bruit émis par ce produit peut contribuer à une perte de l'ouïe.
- ⚠ ATTENTION : le déflecteur d'étincelles deviendra chaud.** Éviter de le toucher ou de le régler lorsqu'il est chaud. Tenir le cordon et les matériels éloignés du déflecteur d'étincelles.
- **Éviter le contact prolongé avec la poussière générée par l'activité de coupe. Porter des vêtements de protection et laver les zones exposées à l'eau et au savon.** La poussière qui pénètre dans votre bouche, vos yeux ou reste sur votre peau peut favoriser l'absorption de substances chimiques dangereuses.
 - Ne pas utiliser de lames dentées.
 - Les disques de coupe doivent toujours être rangés bien protégés, dans un endroit sec et hors de portée des enfants.
 - Ne pas exposer l'appareil à la pluie ni l'utiliser dans des lieux humides.
 - Utiliser uniquement des meules de tronçonnage d'une épaisseur maximale de 3,0 mm et d'un diamètre maximal de 355 mm.
- ⚠ AVERTISSEMENT : nous recommandons l'utilisation d'un disjoncteur différentiel avec un seuil de déclenchement de 30mA ou moins.**



Risques résiduels

Les risques suivants sont inhérents à l'utilisation de ces outils :

- blessures si vous touchez les pièces rotatives ;
- blessures si la lame se détache.

Ces risques sont plus évidents :

- dans le champ même de l'utilisation ;
- à portée immédiate des pièces rotatives de l'outil.

Malgré l'application des réglementations de sécurité en vigueur et la mise en œuvre de dispositifs de sécurité, certains risques résiduels sont inévitables. Il s'agit de :

- déficience auditive ;
- risque d'accidents causés par les pièces non recouvertes de la lame rotative ;
- risque de blessure lors du remplacement de la lame ;
- risque de pincement des doigts lors de l'ouverture du carter de protection.

Sécurité électrique

Le moteur électrique a été conçu pour fonctionner sur une tension unique. Vérifier systématiquement que la tension du secteur correspond bien à la tension indiquée sur la plaque signalétique.



Votre outil DEWALT à double isolation est conforme à la norme EN62841 ; un branchement à la terre n'est donc pas nécessaire.

Si le cordon fourni est endommagé, le remplacer par un cordon spécialement conçu à cet effet, et disponible auprès du service après-vente DEWALT.

Remplacement de la fiche d'alimentation (Moyen-Orient et Afrique)

Si une nouvelle fiche d'alimentation doit être montée :

- Mettre soigneusement au rebut l'ancienne fiche.
- Raccorder le fil marron à la borne de phase dans la fiche.
- Raccorder le fil bleu à la borne de neutre.



AVERTISSEMENT : aucun branchement ne doit être fait à la borne de terre.

Suivez les instructions de montage fournies avec des fiches de bonne qualité. Fusible recommandé : 13 A.

Utilisation d'une rallonge

Si une rallonge s'avère nécessaire, utiliser une rallonge à trois fils homologuée et compatible avec la tension nominale de cet outil (consulter la **Fiche techniques**). La section minimale du conducteur est de 1,5 mm² pour une longueur maximale de 30 m.

En cas d'utilisation d'un dévidoir, dérouler systématiquement le câble sur toute sa longueur.

Chutes de tension

Les appels de courants provoquent de courtes chutes de tension. Dans des conditions d'alimentation électrique peu favorables, d'autres équipements peuvent être affectés.

Si l'impédance du système d'alimentation électrique est inférieure à 0,11 Ω, il est peu probable que des perturbations se produisent.

Alimentation

S'assurer que l'alimentation est conforme au marquage de la plaque signalétique. Une diminution de tension de plus de 10% entraînera une perte de puissance et une surchauffe.

Contenu de l'emballage

Ce carton comprend :

- 1 Scie circulaire
 - 1 Clé à 6 pans
 - 1 Disque
 - 1 Notice d'instructions
- Vérifier que l'appareil et ses pièces ou accessoires n'ont pas été endommagés lors du transport.
 - Prendre le temps de lire attentivement et comprendre cette notice d'instructions avant toute utilisation de l'appareil.

Étiquettes sur l'appareil

On trouve les diagrammes suivants sur l'outil :



Lire la notice d'instructions avant toute utilisation.



Porter un dispositif de protection auditive.



Porter un dispositif de protection oculaire.



Diamètre d'alésage.

Emplacement de la Date Codée de Fabrication (Fig. A)

La date codée de fabrication **18**, qui comprend aussi l'année de fabrication, est imprimée sur le boîtier.

Exemple :

2018 XX XX

Année de fabrication

Description (Fig. A, E)



AVERTISSEMENT : ne jamais modifier l'outil électrique ni aucun de ses composants. Il y a risques de dommages corporels ou matériels.

- 1 Goupille de verrouillage
- 2 Vis du pare-étincelles
- 3 Pare-étincelles
- 4 Base
- 5 Garde
- 6 Étau
- 7 Clé à 6 pans 8 mm
- 8 Manivelle
- 9 Levier de l'étau
- 10 Disque
- 11 Carter de protection
- 12 Dispositif de verrouillage de l'axe
- 13 Boulons de la garde
- 14 Interrupteur à gâchette
- 15 Trou de cadenas
- 16 Orifices de fixation
- 17 Poignée de manœuvre
- 18 Code date

Utilisation Prévue

La scie fendeuse D28730 est conçue pour la découpe de pièces en acier de différentes formes.

NE PAS les utiliser en milieu humide ou en présence de gaz ou de liquides inflammables.

La scie fendeuse D28730 est un outil électrique professionnel.

NE PAS les laisser à la portée des enfants. Une supervision est nécessaire auprès de tout utilisateur non expérimenté.

- Ce produit n'est pas prévu pour être utilisé par des personnes (y compris les enfants) dont les capacités physiques, sensorielles ou mentales sont réduites ou qui manquent d'expérience ou d'aptitudes, sauf si ces personnes sont surveillées par une autre personne responsable de leur sécurité. Ne jamais laisser les enfants seuls avec ce produit.

Capacité de coupe


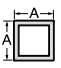
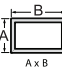

La grande ouverture de l'étau et le point de pivot élevé permette de couper de grandes pièces. Utiliser le tableau de capacité de coupe pour déterminer la taille maximale des coupes pouvant être réalisées avec une meule neuve.

ATTENTION : CERTAINS OBJETS DE GRANDES DIMENSIONS, CIRCULAIRES OU DE FORME IRRÉGULIÈRE PEUVENT NéCESSITER DES DISPOSITIFS DE MAINTIEN SUPPLÉMENTAIRES S'ILS NE PEUVENT PAS ÊTRE MAINTENUS SOLIDEMENT DANS L'ÉTAU.

ATTENTION : NE PAS COUPER DE MAGNÉSIUM AVEC CET OUTIL.

Capacité de coupe maximum

REMARQUE : La capacité indiquée dans le tableau suppose que le disque est intact et que la garde est en position optimale.

Forme de l'ouvrage				
Angle de coupe 90°	A = 130 mm	A = 120 mm	115 mm x 130 mm	A = 135 mm
Angle de coupe 45°	A = 115 mm	A = 102 mm	110 mm x 102 mm	A = 110 mm

FONCTIONNEMENT

Consignes d'utilisation

AVERTISSEMENT : respecter systématiquement les consignes de sécurité et les normes en vigueur.

Transport (Fig. A)

Repliez la machine dans la position permettant son transport. Enfoncez la goupille de verrouillage ❶ pour verrouiller le bras en position basse.

Déverrouillage (Fig. A)

Pour déverrouiller l'outil et soulever la tête, appuyez légèrement sur le bras du moteur et sortez la goupille de verrouillage ❶. Le bras du moteur pivote alors vers le haut.

Montage (Fig. D, F)

ATTENTION : l'outil doit être fixé sur une surface stable, plane et antidérapante, afin d'éviter tout mouvement intempestif pendant l'utilisation.

1. Percez des trous à travers la surface de travail pour qu'ils s'alignent avec la base de la scie à tronçonner.
2. Insérez deux boulons M10 vers le bas par les trous de fixation ❶ dans la base et au travers des trous de la surface de montage. La longueur de ces boulons doit approximativement correspondre à l'épaisseur de la surface de montage, plus 102 mm.

Position correcte des mains (Fig. A)

AVERTISSEMENT : pour réduire tout risque de dommages corporels graves, adopter **SYSTÉMATIQUEMENT** la position des mains illustrée.

AVERTISSEMENT : pour réduire tout risque de dommages corporels graves, maintenir fermement et **SYSTÉMATIQUEMENT** l'outil pour anticiper toute réaction soudaine de sa part.

La position correcte des mains nécessite une main sur la poignée d'actionnement ❷ avec l'autre main guidant l'ouvrage.

Réglage du déflecteur d'étincelles (Fig. A)

Pour mieux dévier les étincelles des personnes et du matériel se trouvant à proximité, desserrez la vis du pare-étincelles ❷, ajustez le pare-étincelles ❸, puis resserrez la vis. Ne laissez pas le cordon entrer en contact avec le pare-étincelles ou des étincelles car cela pourrait l'endommager.

Interrupteur à gâchette (Fig. A)

Pour démarrer l'outil, appuyer sur l'interrupteur à gâchette ❹. Relâcher l'interrupteur pour arrêter l'outil. Conserver les mains et le matériel éloignés de la meule jusqu'à ce qu'elle soit immobilisée.

Pour éviter l'utilisation sans autorisation de l'outil, installer un cadenas standard (non fourni) dans le trou pour cadenas ❺ situé sur l'interrupteur à gâchette.

Serrage et support du matériel (Fig. B, C)

- Pour une meilleure fixation et coupe des angles, appuyer les deux pieds contre la base.
- Une entretoise légèrement plus étroite de l'ouvrage peut être utilisée pour augmenter l'utilisation de la meule (Fig. B).
- Les ouvrages longs doivent être soutenus par un bloc de sorte qu'ils restent de niveau avec le dessus de la base (Fig. C). L'extrémité de chute doit être libre de tomber vers le bas pour éviter de coincer la meule.

Utilisation de l'étau (Fig. D)

L'étau ❻ possède un dispositif de course rapide. Pour libérer l'étau lorsqu'il est solidement serré, tourner la manivelle ❸ ou deux fois dans le sens inverse des aiguilles d'une montre pour libérer la pression de serrage. Soulever l'étau ❹. Sortir l'ensemble manivelle de la distance désirée. L'étau peut être

pousse vers l'avant dans l'ouvrage sans manivelle. Abaisser le levier de l'étau **9** puis serrer l'étau **6** sur l'ouvrage à l'aide de la manivelle **8**.

Utilisation du guide (Fig. A, E, F)

Le guide **5** peut être ajusté de deux manières : pour modifier l'angle de coupe désiré et pour modifier l'espacement entre le guide et l'étau.

Pour modifier l'angle de coupe désiré

1. Utilisez la clé à 6 pans **7** fournie pour desserrer (sans les retirer) les deux boulons de la garde **13**. Alignez la ligne indiquant l'angle voulu avec la rainure **20** sur la base **4**. Serrez fermement les deux boulons de la garde avant l'utilisation.
2. Pour des coupes perpendiculaires plus précises, débrancher l'alimentation, desserrer les deux boulons de guide, enfoncer le bras jusqu'à ce que la meule pénètre dans la base. Placer une équerre contre la meule et ajuster le guide contre l'équerre. Serrez solidement les deux boulons de guide avant l'utilisation.
3. Lors d'une coupe d'onglet, l'étau **6** peut ne pas fournir un serrage solide selon l'épaisseur de l'ouvrage et l'angle de l'onglet. D'autres dispositifs (ressort, barre ou serre-joint) seront nécessaires pour fixer l'ouvrage au guide lors de la réalisation de ces coupes.

Pour modifier l'espacement entre le guide et l'étau

À l'aide de la clé à 6 pans **7** fournie, desserrez (sans les retirer) les deux boulons de la garde **13**. Réglez la garde **5** à la position voulue. Insérez les deux boulons de la garde aux emplacements prévus. Serrez fermement les deux boulons de la garde avant l'utilisation.

Retrait et installation des meules (Fig. A, G, H)

AVERTISSEMENT : arrêter et débrancher l'outil avant d'effectuer tout ajustement ou de retirer ou installer toute pièce ou accessoire. Assurez-vous que l'interrupteur est en position ARRÊT. Ne pas effectuer de réglages lorsque la meule est en mouvement. Ne pas effectuer de réglages lorsque la tronçonneuse est branchée à l'alimentation électrique.

AVERTISSEMENT : gardez toujours les vis fixées au dispositif de protection et assurez-vous que la protection centrale soit bien positionnée après avoir replacer le disque et avant utilisation, afin de bien vous protéger du disque tournant à grande vitesse.

1. Enfoncez le dispositif de verrouillage de l'axe **12** et faites tourner le disque **10** à la main, jusqu'à ce que le levier de verrouillage du disque s'engage dans l'encoche de la bride intérieure **24** pour verrouiller le disque. Desserrez le boulon **23** au centre du disque abrasif, dans le sens inverse des aiguilles d'une montre, à l'aide de la clé à 6 pans fournie **7**. Le boulon est fileté à droite.

2. Retirer le boulon **23**, la rondelle **22**, la bride externe **21** et l'ancienne meule **10**.
3. S'assurer que les surfaces de la brise sont propres et planes. Installer une nouvelle meule abrasive en suivant les étapes ci-dessus dans l'ordre inverse.
4. Ne pas trop serrer le boulon.

AVERTISSEMENT : vérifier la surface de travail sur laquelle est posée la tronçonneuse lors du remplacement d'une nouvelle meule. Il est possible que la meule touche TOUT OBJET OU TOUTE STRUCTURE QUI DÉPASSE AU-DESSUS de la surface de travail (sous la base) lorsque le bras est complètement abaissé.

Conseils d'utilisation pour des coupes plus précises

- Laisser la meule effectuer la coupe. Une force excessive causera le coincement de la meule et réduire l'efficacité de la coupe et/ou une déflexion entraînant des coupes imprécises.
- Ajuster correctement l'angle du guide.
- S'assurer que le matériel se trouve à plat sur la base.
- Serrer correctement le matériel pour éviter le mouvement et les vibrations.

MAINTENANCE

Votre outil électrique DEWALT a été conçu pour fonctionner longtemps avec un minimum de maintenance. Le fonctionnement continu et satisfaisant de l'outil dépendra d'une maintenance adéquate et d'un nettoyage régulier.

AVERTISSEMENT : pour réduire tout risque de dommages corporels graves, arrêter et débrancher l'outil avant tout réglage ou avant de retirer ou installer toute pièce ou tout accessoire.
Tout démarrage accidentel pourrait causer des dommages corporels.

Inspection et remplacement des balais du moteur (Fig. I)

ASSUREZ-VOUS QUE L'OUTIL EST DÉBRANCHÉ AVANT D'INSPECTER LES BALAIS. L'absence d'usure des balais doit être régulièrement contrôlée. Pour inspecter les balais, retirez les deux vis du cache en extrémité **27** et retirez le cache **26**. Pour retirer chaque balai **19**, débranchez d'abord le connecteur du fil de shunt. Reculez ensuite doucement le ressort du balai hors du boîtier à balais et retirez le balai. Les balais doivent glisser librement dans le boîtier. Si les balais sont usés jusqu'à 8 mm comme illustré par la figure I, ils doivent être remplacés.

Pour réinstaller chaque balai, reculez doucement le ressort hors du boîtier à balais, insérez le balai et ramenez le ressort en vous assurant qu'il comprime le balai sans toucher le boîtier. Rebranchez le fil de shunt puis réinstallez le cache en extrémité et les deux vis.



Lubrification

Votre outil électrique ne requiert aucune lubrification additionnelle.



Entretien



AVERTISSEMENT : éliminer poussière et saleté du boîtier principal à l'aide d'air comprimé chaque fois que les orifices d'aération semblent s'encrasser. Porter systématiquement des lunettes de protection et un masque anti-poussières homologués au cours de cette procédure.



AVERTISSEMENT : ne jamais utiliser de solvants ou tout autre produit chimique décapant pour nettoyer les parties non métalliques de l'outil. Ces produits chimiques pourraient en attaquer les matériaux utilisés. Utiliser un chiffon humidifié avec de l'eau et un savon doux. Protéger l'outil de tout liquide et n'immerger aucune de ses pièces dans aucun liquide.

Accessoires en option



AVERTISSEMENT : comme les accessoires autres que ceux offerts par DeWALT n'ont pas été testés avec ce produit, leur utilisation avec cet appareil pourrait être dangereuse. Pour réduire tout risque de dommages corporels, seuls des accessoires DeWALT recommandés doivent être utilisés avec cet appareil.

Veillez consulter votre revendeur pour plus d'informations sur les accessoires appropriés.

Protection de l'environnement



Tri sélectif. Les produits et batteries marqués de ce symbole ne doivent pas être jetés avec les déchets ménagers.

Les produits et batteries contiennent des matières qui peuvent être récupérées et recyclées afin de réduire la demande en matières premières. Veuillez recycler les produits électriques et les batteries conformément aux dispositions locales en vigueur. Pour plus d'informations, consultez le site www.2helpU.com.

تهانينا!


لقد اخترت أداة DEWALT، سنوات الخبرة التي تمتد خلالها عمليات تطوير المنتجات وابتكارها تجعل DEWALT من أكثر الشركاء الذين يمكن الاعتماد عليهم بالنسبة لمستخدمي الأدوات الآلية المحترفين.


البيانات الفنية


D28730			
الجهد الكهربائي	فولت يار متريود	B5	220/240
دخل الطاقة	وات	ZA	230
التردد	هرتز	B5	50/60
سرعة اللاحمل	/دقيقة		4000
قطر الأسطوانة	مم		355
سمك الأسطوانة	مم		3.0
قياس سن عمود الدوران			M10
قطر الثقب			25.4
الوزن	كجم		15.5


التعريفات: تعليمات الأمان


تصف التعريفات التالية مستوى أهمية كل كلمة تحذيرية، يرجى قراءة الدليل والانتباه لتلك الرموز.


 **خطر:** تشير هذه الكلمة إلى وجود حالة خطر وشيكة، وإذا لم يتم تفاديها، فقد تؤدي إلى الوفاة أو الإصابة الجسيمة.

 **تحذير:** تشير هذه الكلمة إلى وجود حالة خطر محتملة، وإذا لم يتم تفاديها، فقد تؤدي إلى الوفاة أو الإصابة الجسيمة.

 **تنبيه:** تشير هذه الكلمة إلى وجود حالة خطر محتملة، وإذا لم يتم تفاديها، فقد تؤدي إلى حدوث إصابة بسيطة أو متوسطة.


 **ملاحظة:** تشير إلى ممارسة غير متعلقة بإصابة شخصية، إذا لم يتم تفاديها، فقد تؤدي إلى ضرر الممتلكات.

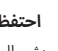
 تشير إلى خطر حدوث صدمة كهربائية.

 تشير إلى خطر نشوب حريق.

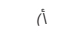
 **تحذير:** لتقليل خطر حدوث الإصابات، يرجى قراءة دليل التعليمات.

تحذيرات الأمان العامة للأدوات الكهربائية

 **تحذير:** اقرأ جميع تحذيرات الأمان والتعليمات والإيضاحات والمواصفات الواردة مع هذه الأداة الكهربائية.. إذ قد يؤدي عدم اتباع جميع الإرشادات إلى حدوث صدمة كهربائية و/أو نشوب حريق و/أو وقوع إصابة جسيمة.

 **احتفظ بجميع التحذيرات والتعليمات من أجل الرجوع إليها في المستقبل** يشير المصطلح «أداة كهربائية» في التحذيرات إلى الأداة الكهربائية التي تعمل بالطاقة الكهربائية (مزودة بسلك كهربائي) أو الأداة الكهربائية التي تعمل بالبطارية (غير مزودة بسلك كهربائي).

1) أمان منطقة العمل

 **أ) احتفظ بمنطقة العمل نظيفة ومضاءة بطريقة جيدة.** حيث أن المناطق المتكدسة بغير نظام أو المظلمة تؤدي إلى وقوع الحوادث.

ب) لا تقم بتشغيل الأدوات الكهربائية في الأجواء المتفجرة، كأن يوجد بالمكان سوائل أو غازات أو غبار قابل للاشتعال، قد تؤدي الأدوات الكهربائية التي تحدث شرارات في اشتعال الأتربة أو الأبخرة.

ج) أبق على الأطفال والأشخاص المشاهدين بعيداً أثناء تشغيل الأداة الكهربائية. فقد يؤدي تشتت الانتباه إلى فقدان سيطرتك.

2) السلامة الكهربائية

أ) يجب أن يتوافق قابس الأداة الكهربائية مع مصدر التيار الكهربائي. لا تقم مطلقاً بإجراء تعديل على القابس بأي طريقة. لا تستخدم قابس المحول مع الأدوات الكهربائية المورضة لتمر تأريضها، حيث ستقلل المقابس غير المعدلة ومصادر التيار الكهربائي المتطابقة من خطر حدوث صدمة كهربائية.

ب) تجنب ملامسة الجسم مع الأسطح الأرضية أو المورضة كالألابيب والمشعاع والموقد والثلاجات، حيث يوجد خطر متزايد من حدوث صدمة كهربائية إذا كان جسدك مؤرضاً أو ثابتاً على الأرض.

ج) لا تعرض الأدوات الكهربائية للمطر أو البلل. إذ سيؤدي الماء الذي يدخل الأداة الكهربائية إلى زيادة خطر حدوث صدمة كهربائية.

د) لا تستخدم الكابل بطريقة خاطئة. لا تستخدم مطلقاً السلك من أجل حمل الأشياء أو سحبها أو لنزع قابس الأداة الكهربائية. أبعد السلك عن الحرارة أو الزيوت أو الحواف الحادة أو الأجزاء المتحركة. إذ تزيد الأسلاك التالفة أو المتشابكة من خطر حدوث صدمة كهربائية.

هـ) عند تشغيل الأداة الكهربائية خارج المنزل، استخدم سلك استتالة ملائم للاستخدام في الأماكن الخارجية، حيث إن استخدام السلك الملائم للاستخدام الخارجي يقلل من خطر حدوث الصدمة الكهربائية.

و) إذا لم يكن هناك مفر من تشغيل الأداة الكهربائية في أحد الأماكن الرطبة، فاستخدم مصدر إمداد محمي بجهاز قاطع الدورة (RCD)، استخدام جهاز التيار المتبقي يقلل من خطر حدوث الصدمة الكهربائية.

3) السلامة الشخصية

أ) ابق حذراً وراقب ما تقوم بفعله واستمع والحواس السامعة عند تشغيل الأداة الكهربائية. لا تستخدم الأداة الكهربائية عندما تكون متعباً أو تحت تأثير المخدرات أو الكحول أو الأدوية. قد تؤدي أي لحظة من السهو أثناء تشغيل الأدوات الكهربائية إلى حدوث إصابة جسدية جسيمة.

ب) استخدم معدات الوقاية الشخصية. قم دوماً بارتداء واقي العينين، إذ أن استخدام معدات الوقاية مثل كمامات الأتربة، وأحذية الأمان المانعة للانزلاق، والخوذة الصلبة، أو واقي الأذن للحالات ذات الصلة سيقلل من الإصابات الشخصية.

ج) تجنب التشغيل العرضي. تأكد من أن المفتاح في وضع إيقاف التشغيل قبل التوصيل بمصدر الطاقة، و/أو مجموعة البطارية، أو التقاط أو حمل الأداة، حيث قد يؤدي حمل الأدوات الكهربائية أثناء وجود إصبعك على المفتاح أو إمداد الأدوات الكهربائية التي يكون مفتاحها بوضع التشغيل بالكهرباء إلى وقوع الحوادث.

د) قم بإخراج أي مفتاح ضبط أو مفتاح ربط قبل تشغيل الأداة الكهربائية. فقد يؤدي ترك مفتاح الربط أو المفتاح بالجزء الدوار بالأداة الكهربائية إلى حدوث إصابة شخصية.

هـ) تجنب مد يدك بعيداً بالجهاز. حافظ على ثبات موضع قدمك والتوازن طيلة الوقت، إذ يساعد ذلك على التحكم بشكل أفضل في الأداة الكهربائية في المواقف الفجائية.

و) ارتد الملابس المناسبة، تجنب ارتداء ملابس أو مجوهرات فضفاضة. أبعد الشعر والملابس والقفايزات عن الأجزاء المتحركة.. فقد تحترق الملابس أو المجوهرات الفضفاضة أو الشعر الطويل في الأجزاء المتحركة.

- 5) في حال توفير الأجهزة للتوصيل بوسائل استخلاص وتجميع الأتربة، فتأكد من توصيلها واستخدامها بطريقة صحيحة. حيث أن تجميع الأتربة قد يؤدي إلى تقليل المخاطر المتعلقة بالأتربة.
- 6) لا تدع الخبرة المكتسبة من الاستخدام المتكرر للأدوات تدفعك إلى اللامبالاة وتجاهل مبادئ سلامة الأداة. فقد يتسبب أي إجراء غير حذر إلى وقوع إصابات خطيرة في جزء من الثانية.
- 4) استخدام الأداة الكهربائية والعناية بها
- أ) لا تتعامل بالقوة مع الأداة الكهربائية. استخدم الأداة الكهربائية الملائمة لغرض الاستخدام الخاص بك. حيث ستجذب الأداة الكهربائية الملائمة المهمة بشكل أفضل وأكثر أماناً عند المعدل الذي صممت من أجله.
- ب) لا تستخدم الأداة الكهربائية إذا كان المفتاح لا يقوم بالتشغيل وإيقاف التشغيل. حيث تشكل أي أداة كهربائية لا يمكن التحكم فيها بواسطة المفتاح خطورة ويجب إصلاحها.
- ج) أفضل القاسم من مصدر الطاقة وأو قم بإزالة مجموعة البطارية من الأداة الكهربائية، إذا كانت قابلة للإزالة، قبل إجراء أي عمليات ضبط أو تغيير الملحقات أو تخزين الأدوات الكهربائية. تقلل إجراءات السلامة الوقائية هذه من خطر تشغيل الأداة الكهربائية بشكلٍ غير آلي.
- د) قم بتخزين الأدوات الكهربائية المتوقفة عن العمل بعيداً عن متناول الأطفال ولا تدع الأشخاص غير الملمين بالأداة الكهربائية أو بهذه التعليمات يقومون بتشغيل الأداة الكهربائية. إذ تعد الأدوات الكهربائية مصدر خطورة في أيدي المستخدمين غير المدربين على استخدامها.
- هـ) حافظ على الأدوات الكهربائية والملحقات. افحص للتحري عن أي محاذة غير صحيحة أو تقييد للأجزاء المتحركة، أو كسر للأجزاء وأي حالات أخرى قد تؤثر على تشغيل الأداة الكهربائية. وفي حال وجود تلف، قم بإصلاح الأداة الكهربائية قبل الاستخدام. حيث يرجع سبب وقوع العديد من الحوادث إلى الصيانة السيئة للأدوات الكهربائية.
- و) حافظ على أدوات القطع في حالة حادة ونظيفة. حيث أن أدوات القطع التي تمر صيانتها بطريقة صحيحة ومزودة بحواف قطع حادة تتعرض بشكلٍ أقلٍ للالتصاق ويسهل التحكم بها على نحو أكبر.
- ز) استخدم الأداة الكهربائية والملحقات ولقم الأداة وما شابه ذلك وفقاً لهذه التعليمات مع الأخذ في الاعتبار ظروف التشغيل والعمل المراد تنفيذها. إذ أن استخدام الأداة الكهربائية لعمليات مختلفة عن تلك العمليات المخصصة لها قد يؤدي إلى حالة خطيرة.
- 5) الخدمة
- أ) قم بصيانة الأداة الكهربائية الخاصة بك على يد فني إصلاح مؤهل وذلك من خلال استخدام أجزاء بديلة متطابقة فقط. حيث سيضمن ذلك الحفاظ على أمان الأداة الكهربائية.
- تعليمات الأمان لكالات القطع
- تحذيرات السلامة الخاصة بألة القطع
- أ) ابتعد أنت والواقفين بجوارك عن مستوى دوران الأسطوانة. يساعد الواقف في حماية المشغل من شطابا الأسطوانة عند انكسارها، والاتصال العرضي بالأسطوانة.
- ب) لا تستخدم سوى الأسطوانات القوية المعززة لأداتك الكهربائية. فلا تعني إمكانية توصيل الملحقات بالأداة الكهربائية أنها تضمن التشغيل الآمن.
- ج) يجب أن تكون السرعة المقدره للملحق مساوية على الأقل للحد الأقصى للسرعة المحددة بالأداة الكهربائية. إذ قد تحطّر أو تتطاير أجزاء الملحقات التي تعمل بسرعة أكبر من سرعتها المقدره.
- د) يجب استخدام الأسطوانات في التطبيقات الموصى بها فقط. على سبيل المثال: لا تقم بالجلج بجانب أسطوانة القطع. الأسطوانات الكاشطة القاطعة مصممة لأجل الجللح الطرقي، إذ قد تتسبب القوى الجانبية الواقعة على هذه الأسطوانات في تحطّمها.
- استخدم دوماً شفاه بارزة غير تالفة للأسطوانة وذات قطر ملائم لأسطوانتك المحددة. إذ دعم الحواف البارزة الملائمة للأسطوانة ومن ثم تقلل احتمال تكسر الأسطوانة.
- يجب أن يكون القطر الخارجي وسمك الملحق ضمن تصنيف السعة للأداة الكهربائية الخاصة بك. لا يمكن الحذر من الملحقات ذات الأحجام غير الصحيحة أو التحكم فيها بشكلٍ كافي.
- يجب أن يتناسب حجم غطاء الأسطوانات أو الشفاه مع عمود دوران الأداة الكهربائية بدقة. حيث إن الملحقات والشفاه المرودة يفتحان في الغطاء لا تتطابق مع أجهزة تركيب الأداة الكهربائية ستفقد توازنها وتهتز بشدة وقد تؤدي إلى فقدان السيطرة.
- لا تستخدم أسطوانات تالفة. قبل كل مرة استخدام، افحص الأسطوانات بحثاً عن الشروخ والشقوق. إذا سقطت الأداة الكهربائية أو الأسطوانة، فقم بالفحص بحثاً عن الأضرار التي لحقت بها أو قم بتركيب أسطوانة سليمة. بعد القيام بفحص وتركيب الأسطوانة، ابتعد أنت والواقفون بجوارك عن مستوى دوران الأسطوانة و قم بتشغيل الأداة الكهربائية لأقصى حد للسرعة العادية لمدة دقيقة واحدة. ومن الطبيعي تحطّر الأسطوانات التالفة أثناء وقت هذا الاختبار.
- قم برتداء معدات الوقاية الشخصية. حيث إن ارتداء حامي الوجه أو النظارات الواقية أو النظارات الزجاجية الواقية يتوقف على استخدام الجهاز. ووفق ما تقتضيه الحاجة، قم برتداء كمادات الأتربة وواقبات الأذن والقفازات ومعطف العمل الذي يمكن حمايتك من شطابا التجلخ الصغيرة أو شطابا قطع العمل. يجب أن يكون واقف العين قادراً على الوقاية ضد الشطابا المتطايرة الناجمة عن العمليات المختلفة. يجب أن تكون كمادات الأتربة أو جهاز التنفس قادراً على ترشيح الجسيمات الناجمة عن عملك. قد يتسبب التعرض لفترة طويلة لفضوضاء عالية الكثافة في فقدان السمع.
- أبعد العارة مسافة كافية عن منطقة العمل. يجب على أي شخص يدخل منطقة العمل ارتداء معدات الوقاية الشخصية. إذ قد تتطاير شطابا الجزء الذي يجري العمل به أو الأسطوانة التالفة وتحدث إصابات خارج منطقة العمل الفعلية.
- ضع السلك بعيداً عن ملحق الدوران. إذ في حالة فقدانك السيطرة، قد ينقطع السلك أو يتمرق وقد تُجذب يدك أو ذراعك في اتجاه أسطوانة الدوران.
- قم بتنظيف منافذ الهواء الموجودة بالأداة الكهربائية بانتظام. حيث أن مروحة المحرك يمكنها جذب التراب إلى داخل التجويف وقد يتسبب التراكم الزائد لسمخوق المعادن في وقوع مخاطر كهربائية.
- لا تقم بتشغيل الأداة الكهربائية بالقرب من المواد القابلة للاشتعال. لا تقم بتشغيل الأداة الكهربائية خلال وجودها على سطح قابل للاشتعال مثل الخشب. إذ قد تتسبب الشرارات في إشعال هذه المواد.
- لا تستخدم قط أية ملحقات تحتاج إلى مبردات سائلة. فقد يؤدي استخدام المياه أو أية مبردات سائلة أخرى إلى صدمة كهربائية.
- الارتداد وتحذيرات تتعلق به
- الارتداد هو رد فعل مفاجئ لأسطوانة الدوران المشروخة أو المضغوطة. بسبب الضغط أو التمرق التوقف السريع للأسطوانة الدوارة مما يسبب دفع وحدة القطع بدون تحكم نحو المشغل.
- على سبيل المثال، إذا لحق بالأسطوانة الكاشطة شروخ أو صُغط عليها من خلال القطعة التي يتم العمل عليها، فإن حافة الأسطوانة التي تدخل في نقطة الضغط يمكن أن تحفر في سطح المادة دافعةً الأسطوانة إلى الخروج أو الارتداد. قد تكسر الاسطوانات الكاشطة في هذه الظروف.
- الارتداد ينجم عن سوء استخدام الأداة الكهربائية وأو بسبب إجراءات التشغيل غير الصحيحة أو الظروف غير الملائمة ويمكن تفاديه عن طريق اتخاذ إجراءات الوقاية الصحيحة كما هو مبين أدناه.
- أ) أمسك الأداة الكهربائية بإحكام واجعل جسدك وذراعك في موضع يسمح لك بمقاومة قوى الارتداد. يمكن للمشغل أن يتحكم في قوى الارتداد لأعلى، إذ ما أخذت الاحتياطات الملائمة.

- لا تقم باستخدام شفرات منشار دائرية أو أي نصل آخر مع هذه الأداة. حيث أنه من الممكن أن تحدث إصابات بالغة الخطورة.
- لا تقم بتشغيل الأداة بالقرب من السوائل القابلة للاشتعال أو الغازات أو الأتربة. ربما تؤدي الشرارات أو القطع الساخنة الناتجة عن القطع أو الموتور المتحرك إلى اشتعال المواد القابلة للاحتراق والاشتعال.
- تأكد من تركيب وإحكام تثبيت الأسطوانة الكاشطة بشكل صحيح قبل الاستخدام.
- اترك الأداة تعمل بدون أحمال في وضع آمن لمدة دقيقة واحدة على الأقل. وفي حالة ما إذا كان هناك اهتزازات كثيرة أو في حالة حدوث أي نوع من أنواع القصور فمر بإيقاف المعدة وأقصى المعدة لتحديد السبب.
- احرص على أن تظل فتحات التهوية نظيفة عند العمل في ظروف متربة. فمر بفصل المعدة أولاً عن التيار الكهربائي، ثم فمر بتنظيف الفتحات باستخدام فرشاة ناعمة.
- لا تستخدم جانب الأسطوانة الكاشطة كجلاخة تعيير. حيث إن هذا سيضعف كثيراً من الأسطوانة مسبباً في حالة غيرة أتمته. وقد تنكسر الأسطوانة.
- تستمر الأسطوانة في الدوران بعد توقف المعدة عن العمل.

تحذير: ارتدي حماية للسمع للسمع مناسبة أثناء الاستخدام. تحت بعض الظروف، ومدة الاستخدام، قد يسهم الضجيج الصادر من هذا المنتج في فقدان السمع.



تنبيه: يكون عاكس الشرر ساخناً. لذا تجنب لمسه أو تعديله عندما يكون ساخناً. احتفظ بمجموعة الاسلاك والمواد بعيدة عن عاكس الشرر.



تجنب الاتصال المطول مع الغبار الناشئ عن أعمال القطع ارتد الملابس الواقية **وإغسل المناطق التي تتعرض للغبار والماء والصابون.** فقد يعزز السماح للغبار بالوصول إلى الفم والعينين، أو استقراره على الجلد من امتصاص المواد الكيميائية الضارة.

- لا تستخدم الشفرات المسننة.
- فمر دائماً بتخزين أقراص القطع في وضع محمي جيداً وفي مكان جاف وبعيداً عن متناول الأطفال.
- لا تعرض الأداة للمطر أو تستخدمها في مواقع رطبة.



• لا تستخدم سوى أسطوانة منشار قطع بحد أقصى للسمك يبلغ 3,0 مم وحد أقصى

تحذير: نوصي باستخدام جهاز قاطع الدورية مع ضبط قطع الدورية على 30 ملي أمبير أو أقل.



المخاطر المتبقية

المخاطر التالية هي ملازمة لاستخدام هذه المعدات:

- الإصابات التي تسبب من جراء لمس الأجزاء المستديرة.
- الأضرار المسببة بتزويق وكسر قرص القطع.

هذه المخاطر هي الأكثر حدوثاً:

- داخل نطاق التشغيل.
- داخل نطاق أجزاء الماكينة المتحركة.
- على الرغم من تطبيق تعليمات السلامة ذات الصلة والتزود بأجهزة الأمان، إلا أنه لا يمكن تفادي بعض المخاطر المتبقية المحددة. وتشمل هذه المخاطر ما يلي:
- ضعف السمع.
- مخاطر الحوادث الناجمة عن الأجزاء غير المغطاة من أقراص القطع الدورانية.
- مخاطر الجروح والإذناء عند تغيير القرص.
- مخاطر هرس الأصابع عند فتح الواقيات

السلامة الكهربائية

تم تصميم المحرك الكهربائي لتحمل جهد كهربائي واحد فقط. تأكد دوماً من أن مصدر إمداد الطاقة مطابق للجدد الكهربائي المبين على لوحة التصنيف.

تم تزويد الأداة الخاصة بك من DeWALT بعازل مزدوج طبقياً لمعيار EN62841، لذا لا حاجة للسلك الأرضي.



ب) لا تقف بجسديك في محاذة أسطوانة الدوران. إذا حدث ارتداد، سيعمل على دفع وحدة القطع لأعلى باتجاه المشغل.

ج) لا تقم بتوصيل سلسلة منشار، وشفرة تحت الخشب، والأسطوانة المجزأة ومعينة الشكل بقوة محيطية أكبر من 10 مم أو شفرة منشار مسننة. تُحدث هذه الشفرات ارتدادات متكررة وفقدان للسيطرة.

د) لا تقم «بالضغط بقوة» على أسطوانة القطع أو تحملها ضغوطاً مفرطة. لا تحاول القطع بعمق مفرط. إذ أن الضغط بقوة على الأسطوانة من شأنه أن يزيد الحمل والقبالية لالتواء أو التصاق الأسطوانة أثناء عملية القطع، بالإضافة إلى زيادة إمكانية الارتداد أو تكسر الأسطوانة.

ه) عندما تكون الاسطوانة ملتصقة أو عند إعاقة قطع لأي سبب، أوقف تشغيل الأداة الكهربائية وأحكم إمساك وحدة القطع وامنعها من التحرك لحين توقف الأسطوانة تماماً. لا تحاول مطلقاً نزع الأسطوانة من القطع أثناء دوران الأسطوانة والإبقاء يحدث ارتداد. تحقق من سبب التصاق الأسطوانة واتخذ الإجراءات التصحيحية للتخلص من السبب.

و) لا تعيد بدء عملية القطع في قطعة العمل. دع الأسطوانة تصل إلى سرعتها القصوى وأعد إدخالها في القطع بحرص. قد تلتصق الأسطوانة أو تندفع أو ترتد إذا أعيد تشغيل الأداة الكهربائية في قطعة العمل.

ز) فمر بوضع أية قطعة عمل ذات حجم أكبر من المعتاد لتقليل خطر ضغط الأسطوانة أو ارتدادها. تميل قطع العمل الكبيرة إلى الارتخاء تحت ثقل وزنها. يجب وضع الدعامات أسفل قطعة العمل بالقرب من خط القطع وبالقرب من حافة قطعة العمل في كلا جانبي الأسطوانة.

تعليمات السلامة الإضافية لمناشير القطع

- ارتد دائماً حماية للعين والجهاز التنفسي وسترة جلدية.
- قبل الاستخدام، فمر بفحص أسطوانة القطع بحثاً عن أي تصدع أو عيوب. إذا كان هذا التصدع أو العيب واضح، فتخلص من هذه الأسطوانة. كذلك ينبغي فحص الأسطوانة في أي وقت تعتقد فيه أن الأداة قد تم إسقاطها. حيث قد تسبب هذه العيوب في كسر الأسطوانة.
- عند تشغيل الأداة وبها أسطوانة جديدة أو مستبدلة أو إذا كنت غير متأكد من حالة الأسطوانة، فأمسك الأداة في منطقة محمية بشكل جيد وقرم بتشغيلها لمدة دقيقة واحدة. إذا كانت الأسطوانة تحتوي على تصدع أو عيب غير مكتشف، فمن المفترض أن تنفجر في أقل من دقيقة واحدة. لا تقم بتشغيل الأداة مطلقاً مع وجود شخص محاذٍ للأسطوانة. وهذا يشمل المشغل.
- أثناء العمل، تجنب ارتداد الأسطوانة أو وفر لها معالجة صلبة. وفي حالة حدوث ذلك؛ فمر بإيقاف الأداة وقرم بفحص الأسطوانة بحثاً عن أية تصدعات أو عيوب.
- فمر بتنظيف منشار القطع الخاص بك بصفة دورية بتابع الإجراء الوارد في هذا الدليل.
- لا تستخدم المعدة مطلقاً بدون تركيب الواقيات في مكانها.
- لا تقم بإزالة القاعدة.
- ينبغي توفير آلات القطع بالوسائل التي تعمل على تسهيل تثبيت الآلة بمنضدة لمنع الانزلاق؛ أي بتوفير الثقوب أو أسطح الشبك في القاعدة.
- استخدم دائماً ملازمة أو مثبت خاص لكبح التشغيل بشكل آمن. قد تكون أدوات مساعدة أخرى مثل الزنبرك أو المقضيب أو مثبتات C مناسبة لأحجام أو أشكال معينة من قطع العمل. اختر هذه المثبتات وضعها بعناية وقرم بإجراء تشغيل تجريبي قبل القيام بالقطع.
- استخدم فقط أسطوانات مقاس 355 مم من نوع 1 مقيمة عند 4000 دورة في الدقيقة أو أعلى.
- فمر دائماً بتوك الأجزاء المقطوعة لتبرد قبل التعامل معها.
- لا تحاول قطع الخشب أو البلاستيك باستخدام هذه الأداة.
- لا تقطع مطلقاً المغنسيوم باستخدام الأداة.
- استخدم منشار القطع في منطقة جيدة التهوية.
- فمر بإيقاف منشار القطع قبل إزالة أية قطع من القاعدة.
- لا تقم بقطع المواد التي تحتوي على تيار كهربائي حي.

في حالة استبدال السلك أو القابس في الأداة، يجب أن تتم عملية الإصلاح من قبل مركز خدمة معتمد أو فني مؤهل.

مثال:

2018 XX XX

سنة التصنيع

الوصف (الشكل A)

تحذير: لا تقم مطلقاً بتعديل الأداة الكهربائية أو أي جزء منها. فقد ينجم عن ذلك التلف أو الإصابة الشخصية.



- 1 مسامير القفل
- 2 مفتاح جارف الشرذ
- 3 عاكس الشرذ
- 4 القاعدة
- 5 السياج
- 6 الملزمة
- 7 مفتاح سداسي 8 ملم
- 8 عمود الإدارة
- 9 ذراع الملزمة
- 10 الأسطوانة
- 11 الواقي
- 12 مفتاح عمود الدوران
- 13 مسامير السياج
- 14 مفتاح الزناد
- 15 فتحة القفل
- 16 تقوَّب التركيب
- 17 مقبض التشغيل
- 18 كود البيانات

الاستخدام المقصود

لقد تم تصميم المنشار D28730 الخاص بك لقطع المواد متعددة الأشكال المصنوعة من الصلب.

لا تستخدمها في ظروف البلل أو في وجود سوائل أو غازات قابلة للاشتعال.

ويُعد منشار القطع D28730 أداة كهربائية احترافية.

لا تدع الأطفال يلعبون بالأداة. يكون الإشراف أمرًا ضروريًا عند استخدام مشغل قليل الخبرة لهذه الأداة.

هذا المنتج غير مخصص للاستخدام من قبل الأفراد (بما في ذلك الأطفال) الذين يعانون من قصور في القدرات الجسدية أو الحسية أو العقلية، وقلة الخبرة أو المعرفة أو المهارات ما لم يكونوا تحت إشراف من يتحمل مسؤولية سلامتهم. لا ينبغي أن يُترك الأطفال وحدهم مع هذا المنتج.

سعة القطع

توفر فتحة الملزمة الواسعة ونقطة الارتكاز العالية سعة قطع للعديد من القطع الكبيرة. واستخدم مخطط سعة القطع لتحديد إجمالي أقصى حجم للقطع التي يمكن عملها باستخدام أسطوانة جديدة.

تنبيه: قد تتطلب بعض الأجسام الكبيرة أو الدائرية أو غير منتظمة الشكل وسيلة تثبيت إضافية، في حالة عدم التمكن من تثبيتها بإحكام في الملزمة.



تنبيه: لا تقطع المغناطيسوم باستخدام هذه الأداة.



استبدال قابس التيار الرئيسي (الشرق الأوسط وإفريقيا)

إذا استدعت الضرورة تركيب قابس تيار رئيسي، فقم بالتالي:

- تخلص بأمان من القابس القديم.
- قم بتوصيل السلك البني بطرف التوصيل النشط في القابس.
- قم بتوصيل السلك الأزرق بطرف التوصيل المحايد.



تحذير: لا يتم إجراء أي توصيل بطرف التوصيل الأرضي.

قم باتباع التعليمات الواردة مع القوايس ذات الجودة العالية المنصهر الموصى باستخدامه: 13 أمبير.

استخدام كابل الاستطالة

إذا استدعت الضرورة استخدام كابل استطالة، فاستخدم كابل استطالة معتمد ملائم لدخل طاقة هذه الأداة، (انظر **البيانات الفنية**). الحد الأدنى لحجم الموصل هو 1.5 مم² الطول الأقصى هو 30 م.

عند استخدام بكرة الكابل، قم دومًا بفك الكابل تمامًا.

انخفاضات الجهد الكهربائي

هذا وتؤدي التيارات غير السريعة إلى حدوث انخفاضات في الجهد الكهربائي لفترة وجيزة. وربما تتأثر المعدات الأخرى تحت وطأة أي ظروف إمداد الطاقة غير المرغوب فيها. إذا كانت معاوقة النظام لمصدر إمداد الطاقة أقل من 0,11 Ω، فمن غير المرجح حدوث الاضطرابات.

مصدر إمداد الطاقة

تأكد من أن مصدر إمداد الطاقة يتوافق مع علامات اللوحة. حيث سيؤدي انخفاض الجهد أكثر من 10% إلى فقدان الطاقة وارتفاع درجة الحرارة.

محتويات العبوة

تحتوي العبوة على ما يلي:

- 1 منشار قطع
- 1 مفتاح سداسي
- 1 أسطوانة واحدة.
- 1 دليل التعليمات
- افحص بحثًا عن أي تلف لحق بالأداة أو الأجزاء أو الملحقات يمكن أن يكون قد حدث أثناء النقل.
- خذ الوقت اللازم لقراءة هذا الدليل وافهمه جيدًا قبل التشغيل.

علامات على الأداة

الصور التالية موضحة على الأداة:



اقرأ دليل التعليمات قبل الاستخدام.



قم بارتداء واقيات الأذن.



قم بارتداء واقيات العين.



قطر الثقب

وضع كود التاريخ (الشكل A)

كود التاريخ 18 الذي يتضمن كذلك عام التصنيع، مطبوع في الغلاف.

3. يجب دعم قطع العمل الطويلة باستخدام كتلة، بحيث تكون في مستوى الجزء العلوي للقاعدة (الشكل C). يجب أن يكون طرف القطع خاليًا للسقوط لتجنب التصاق الأسطوانة.

تشغيل الملمزة (الشكل D)

تمتلك الملمزة 6 ميزة التحرك السريع، وتحرير الملمزة عند إحكام تثبيتها، أدر عمود الدوران 8 عكس اتجاه عقارب الساعة مرة واحدة أو مرتين لإزالة ضغط التثبيت. ارفع ذراع الملمزة 9 لأعلى. واسحب مجموعة عمود الدوران إلى الخارج بالقدر المطلوب قدر المستطاع. قد يتم دفع الملمزة إلى الأمام للعمل بدون الإدارة. اخفض ذراع الملمزة 9 وأحكم تثبيت الملمزة 6 في العمل باستخدام عمود الدوران 8.

تشغيل السياج (الشكلان E و F)

يمكن ضبط السياج 5 بطريقتين: لتغيير زاوية القطع المطلوبة ولتغيير الفاصل بين السياج والملمزة.

لتغيير زاوية القطع المطلوبة

1. استخدم مفتاح الربط المرفوق 7 لكف (ولا تقم بإزالة) مسامير السياج 13. قم بمحاذاة خط مؤشر الزاوية المطلوبة مع خط الفتحة 20 في القاعدة 4. قم بإحكام ربط مسامير السياج الاثني عشر قبل الاستخدام.
2. للحصول على قطع مربع أكثر دقة، قم بفصل مصدر إمداد الطاقة وقرم بف ماري السياج الاثني عشر، وادفع الذراع لأسفل حتى يتم مد الأسطوانة في القاعدة. ضع مرفقا في مقابل الأسطوانة، واضبط السياج مقابل المربع. قم بإحكام ربط مسامير السياج الاثني عشر قبل الاستخدام.
3. عند عمل قطع مائل، قد لا تقوم الملمزة 6 بالتثبيت بإحكام، وذلك بناءً على سمك قطعة العمل وزاوية الميل. قد يكون من الضروري وجود أدوات مساعدة أخرى (مثل الزنبرك أو الضبيب أو مثبتات C) لتأمين قطعة العمل في السياج عند إجراء القطع.

لتغيير الفاصل بين الملمزة والملمزة

باستخدام مفتاح الربط المرفوق 7، قم بفك 13 مسامير السياج 13. قم بضبط السياج 5 على الأماكن المطلوبة. قم بإدخال مسامير السياج في الأماكن المتوفرة. قم بإحكام ربط مسامير السياج الاثني عشر قبل الاستخدام.

إزالة وتثبيت الأسطوانات

(الشكلان A و G و H)

تحذير: قم بإيقاف تشغيل الأداة وفصلها عن الكهرباء قبل إجراء أي عمليات ضبط أو إزالة أو تركيب الملحقات أو الإكسسوارات. تأكد من أن مفتاح التشغيل في وضع OFF إيقاف التشغيل). لا تقم بإجراء أي تعديل أثناء تحرك الأسطوانة. لا تقم بإجراء أي تعديل أثناء توصيل منشار القطع بمصدر إمداد الطاقة.

تحذير: تأكد دائمًا من ربط مسمار البرغي الواقي وتأكد أن الواقي الأوسط في المكان الصحيح بعد استبدال الأسطوانة وقبل استخدامها، لحماية المستخدم من الأسطوانة سريعة الدوران.

1. اضغط على ذراع قفل الأسطوانة 12 وأدر الأسطوانة 10 باليد حتى يقوم ذراع قفل الأسطوانة بتعشيق الفتحة داخل الشفة 24 لقفل الأسطوانة. قم بفك المسامير 23 عكس اتجاه عقارب الساعة في وسط الأسطوانة الكاشطة باستخدام مفتاح الربط المرفوق 7. يحتوي المسامير على سن أيمن.
2. قم بإزالة المسامير 23 والوردة 22 والحافة الخارجية 21 والأسطوانة القديمة 10.
3. تأكد من أن أسطح الشفة نظيفة ومسطحة. وقرم بتثبيت الأسطوانة الكاشطة الجديدة عن طريق عكس الخطوات السابقة.
4. لا تقرب من ربط المسامير.

تحذير: افحص سطح العمل الذي يُوضع عليه منشار القطع عند استبدال الأسطوانة بأسطوانة كاشطة جديدة. من المحتمل أن تلامس الأسطوانة أي عناصر أو هيكل يمتد بشكل يتجاوز سطح العمل (أسفل القاعدة) عند خض الذراع بشكل كامل.

قذرة القطع القصوى

ملاحظة: تفترض السعة المعروضة في المخطط أنه لا يوجد أي تآكل بالأسطوانة وأن السياج في الموضع الأمثل.

شكل قطعة العمل	زاوية القطع 90 درجة	زاوية القطع 45 درجة
	أ = 130 مم	أ = 115 مم
	أ = 120 مم	أ = 102 مم
	أ = 130 مم	أ = 110 مم

التشغيل

تعليمات الاستخدام

تحذير: التزم دوماً بتعليمات الأمان واللوائح المعمول بها.

للحمل (الشكل A)

افرد الجهاز إلى وضع يمكنك فيه حمل المنشار. واضغط على مسمار القفل 1 لقفل الذراع.

الفتح (الشكل A)

لفتح الأداة ورفع الرأس، اضغط على ذراع الموتور قليلاً واسحب مسمار القفل 1 للخارج. وسيتمركز ذراع الموتور لأعلى بعد ذلك.

التركيب (الشكلان D و F)

تحذير: يجب أن يتم دعم الأداة على سطح ثابت ومستوي وغير رلق لمنع الحركة غير المتوقعة أثناء التشغيل.

1. قم بحفر ثقوب في سطح العمل ومحاذاتها مع قاعدة منشار القطع.
2. قم بإدخال مسامير M10 لأسفل عبر ثقوب التركيب في 16 القاعدة وعبر الفتحات في سطح التركيب. يجب أن يكون الطول الملائم للبرغي بنفس سماكة سطح التركيب يزيد عن 102 مم.

الوضع الصحيح ليد (الشكل A)

تحذير: لتقليل خطر حدوث الإصابة الشخصية الجسيمة، استخدم دوماً الوضع اليدوي الملائم كما هو موضح.

تحذير: لتخفيف خطر التعرض للإصابة الجسيمة، أمسك دوماً الأداة بإحكام عند توقع حدوث رد فعل مفاجئ.

يتطلب الوضع الصحيح لليد استخدام يد واحدة على مقبض التشغيل 17، مع استخدام اليد الأخرى لتوجيه قطعة العمل.

ضبط عاكس الشرر (الشكل A)

لعكس الشرر بعيداً عن الأشخاص والمواد المحيطة، قم بفك مسمار عاكس الشرر 2، واضبط عاكس الشرر 3، ثم أعد ربط مسمار البرغي. لا تترك مجموعة الأسلاك تلامس العاكس أو الشرر فقد يلحق بها ضرر.

مفتاح التشغيل (الشكل A)

لبدء تشغيل الأداة، اضغط على مفتاح المشغل 14. لإيقاف تشغيل الأداة، حرر مفتاح المشغل. واحتفظ باليدين والمواد بعيداً عن الأسطوانة حتى تتحدر إلى محبس.

لمنع الاستخدام غير المصرح به للأداة، قم بتثبيت قفل قياسي (غير مضمن) في ثقب القفل 15 الموجود في المشغل.

تثبيت ودعم المواد (الشكلان B و C)

1. يتم تثبيت وقطع الزوايا بشكل أفضل عن طريق وضع الرجلين في مقابل القاعدة.
2. يمكن استخدام كتلة مبادئ أضيق قليلاً من قطعة العمل لزيادة استخدام الأسطوانة (الشكل B).

حماية البيئة

التجميع المنفصل. يجب عدم التخلص من المنتجات والبطاريات المحددة بهذا الرمز من خلال القمامة المنزلية العادية. فهذه المنتجات والبطاريات تحتوي على مواد يمكن استعادتها أو إعادة تدويرها لخفض الطلب على المواد الخام. الرجاء التخلص من المنتجات الكهربائية والبطاريات وفقًا للقوانين المحلية. توجد معلومات إضافية متوفرة على الموقع www.2helpu.com



نصائح التشغيل من أجل عمليات قطع أدق

- ارتك الأسطوانة تقوم بالقطع. فسُودِي القوة المفرطة إلى تزييح الأسطوانة، مما يؤدي إلى الحد من فعالية القطع و/أو العكس مما يسبب عمليات قطع غير دقيقة.
- اضبط زاوية السياج بشكل صحيح.
- تأكد من وضع المادة بشكل مسطح على القاعدة.
- قمر تثبيت المادة بشكل صحيح لتجنب الحركة والاهتزاز.

الصيانة

تم تصميم الأداة الكهربائية DeWALT الخاصة بك للعمل خلال فترة زمنية طويلة مع أدنى حد من الصيانة. يعتمد التشغيل المرضي المتواصل على العناية الملائمة بالأداة وتنظيفها بشكلٍ منتظم.

تحذير: لتقليل خطر التعرض للإصابة الشخصية الجسيمة، قمر بإيقاف تشغيل الأداة وفصلها من مصدر الطاقة قبل إجراء أي عمليات ضبط، أو إزالة/تركيب الملحقات أو الإكسسوارات. قد يؤدي بدء التشغيل غير المقصود إلى حدوث إصابة.

فحص فرشاة المحرك واستبدالها (الشكل 1)

تأكد من فصل الأداة قبل فحص الفرش. يجب فحص الفرش بصفة دورية بحثًا عن أي تآكل. لفحص الفرش، قمر بإزالة مسامري البراعي للغطاء الطرفي 27 وقمر بإزالة الغطاء الطرفي 26. لإزالة كل فرشاة 19، قمر أولاً بفصل وصلة السلك الكهربائي. ثم أخرج زنبرك الفرشاة بحرص من صندوق الفرش وقمر بإزالة الفرشاة. ينبغي أن تتزلق الفرش بحرية في صندوق الفرش. إذا كانت الفرش متآكلة حتى 8 مم كما هو موضح في الشكل 1، يجب استبدالها.

لإعادة تثبيت كل فرشاة، قمر بإخراج الزنبرك الخاص بالفرشاة بعناية من الصندوق، وأدخل الفرشاة وأعد الزنبرك مع التأكد أنه يضغط على الفرشاة ولا يلمس صندوق الفرش. أعد توصيل طرف السلك الكهربائي، ثم ضع الغطاء الطرفي والمسامير مرة أخرى.



التشحيم

لا تحتاج الأداة الكهربائية الخاصة بك إلى أي تشحيم إضافي.



التنظيف

تحذير: قمر بنفخ الأتربة والغبار خارج التجويف الرئيسي بواسطة الهواء الجاف عدد أكبر من المرات في حال مشاهدة تجمع الأتربة بداخل المنافذ الهوائية وحولها. قمر بارتداء واقي العين المعتمد وكمامة الأتربة المعتمدة عند تنفيذ هذا الإجراء.

تحذير: لا تقمر مطلقًا باستخدام مذيبات أو أي مواد كيميائية قاسية أخرى لتنظيف الأجزاء غير المعدنية بالأداة. إذ قد تضعف هذه المواد الكيميائية من المواد المستخدمة في هذه الأجزاء. استخدم قطعة قماش مبللة بالماء والصابون الخفيف فقط. لا تسمح قط بدخول أي سائل إلى الأداة، ولا تقمر مطلقًا بغمر أي جزء من الأداة في السائل.

الملحقات الاختيارية

تحذير: نظرًا لأن الملحقات، بخلاف تلك التي اعتمدها DeWALT، لم تخضع للاختبار مع هذا المنتج، فإن استخدام مثل هذه الملحقات مع الأداة قد يشكل خطورة. لتقليل خطر وقوع إصابة، يجب استخدام ملحقات DeWALT الموصى بها فقط مع هذا المنتج. استشر وكيلك لمعرفة المزيد من المعلومات حول الملحقات الملائمة.

Afghanistan	Ariana Hafiz Zabi Co. Ltd. Dahan Bagh Squire Karte Ariana, Kabul, Afghanistan	info@arianahafiz.com	Tel: 93-0-799331079 Fax: 93-0-700007576 / 93-0-799331079
Algeria	Sarf Outillage Corporation 08, Rue Med Boudiaf (ex TELLA Achen) Cheraga, Alger	hakim.merdjadi@outillage-dz.com lyes@outillage-dz.com Mali.faiza@outillage-dz.com; sidahmed@outillage-dz.com	Tel: 213-0-21375130 213-0-21375131 Fax: 213-0-21369667
Angola	Angoferraria, Lda. Rua Robert Shields, nº 61, Luanda, Angola	angoferraria@gmail.com sequeira.angoferraria@gmail.com	Tel: 244-222-395837 / 244-222-395034 Fax: 244-222-394790
Azerbaijan	Royalton Holdings Ltd. 41 Khagani St. Apt. 47 AZ1001 Baku- Azerbaijan	jai@royaltonholdings.com office@royaltonholdings.com	Tel: 994-12-4935544 Fax: 994-12-5980378
Egypt	ElFarab S.A.E. 15-Nabil El Wakkad Street, Dokki, Giza, Egypt	elfarab@elfarab.com adel.ezzat@elfarab.com mahmoud.elhosseiny@elfarab.com	Tel: 202-37603946 Fax: 202-33352796
Ethiopia	Seif Tewfik Sherif Arada Sub City, Kebele 01/02, Global Insurance Bldg., 2nd Flr., Room 43, P.O. Box 2525, Addis Ababa	seif@ethionet.et nawanag@ethionet.et	Tel: 251-11-1563968 251-11-1563969 Fax: 251-11-1558009
Iraq	Al-Sard Co. for General Trading Ltd Jbara Bldg. 3Flr. Al Rasheed St., Baghdad, Iraq	dewalt.service@yahoo.com	Tel: 964-18184102
Jordan	Amman West Stores-Bashti 210 Garden St. Tla'a Ali, P.O. Box 1564 Tla Ali Amman 11953, Jordan	ali@bashitstores.com yousef@bashitstores.com	Tel: 962-6-5350009 Fax: 962-6-5350012
Kenya	Dextron Tools Ltd. P.O. Box 20121-00200, Shariff House, Kimathi Street, Nairobi	info@alibhaishariff.co.ke dextron@alibhaishariff.co.ke	Tel: 254-20-6905000 254-20-2358021 Fax: 254-20-6905111 / 254-20-6905112
Lebanon	Est. Shaya & Azar S.A.R.L. Boulevard Jdeideh - Mar Takla - Bouchrieh . P.O. Box 90545, Jdeideh. Beirut - Lebanon	shayazar@dm.net.lb	Tel: 961 1 872305 961 1 872306 Fax: 961 1 872303
Libya	North Africa Trading (El Ghoul Brothers) P.O. Box 348, 7 October Street 11 Benghazi	maryam_farooq2003@yahoo.com nagte@eim.ae dewalt_libya@yahoo.com	Tel: 218-061-3383994 Fax: 218-092-7640688
	North Africa Trading (El Ghoul Brothers) AlBarniq DeWALT Center, Mokhazin-elsukar St. ElFallah, Tripoli	dewalt_libya@yahoo.com	Tel: 218-021-3606430 Fax: 218-092-6514813
	North Africa Trading (El Ghoul Brothers) AlHilal Service Center Tawergha St., Misurata		Tel: 218-091-3221408
Mauritius	Robert Le Marie Limited Old Moka Road, Bell Village, P.O. Box 161, Port Louis	a.blackburn.rlm@rlmgroup.mu jm.pierelouis.rlm@rlmgroup.mu	Tel: 230-212 1865 230-212 2847 Fax: 230-2080843
Morocco	Ets Louis Guillaud & Cie 31, Rue Pierre Parent, Casablanca - 21000	boumadiane.azedine@elg.ma doukkali.marouane@elg.ma	Tel: 522-301446 / 305971 / 317815 / 315576 Fax: 522-444518 / 317888
Nigeria	Meridian Power Tools Ltd. Gr. Floor, #1 Alhaji Masha Rd, Next to Teslim Balogun Stadium, Near National Stadium Surulere, Lagos, Nigeria	braj@meridian-nigeria.com	Tel: 234-1-7740431 234-1-7740410 Fax: 234-1-7913798
Pakistan	Northern Toolings (Pvt) Ltd.-Lahore 86- Railway Road, Lahore - 7 Pakistan	zhayee@northern.pk import@northern.pk sales@northern.pk	Tel: 92-423-7651220 92-423-7641675 Fax: 92-423-7641674
	Northern Toolings (Pvt) Ltd.-Karachi 224-231 Industrial Town Plaza, Shahrah-e-Liaqat, Karachi, Pakistan	karachibr@northern.pk	Tel: 92-213-2465305 92-213-2465307 Fax: 92-213-2465301
	Northern Toolings (Pvt) Ltd.-Taxila Al-Rehman Plaza, Opposite Tehsil Court, Faisal Shaheed Road, Taxila	taxilabr@northern.pk	Tel: 92-51-4545811 Fax: 92-51-4544194
South Africa	Benray Tool Wholesalers C.C. 91 Turfontein Road, Stafford, Johannesburg, 2001 P.O. Box 260037 EXCOM 2023, South Africa	dewalt.service@benray.co.za zain@benray.co.za shafiq@benray.co.za	Tel: 27-11-6838350 Fax: 27-11-6837456
Tanzania	General Motors Investment Ltd. 14 Vingunguti-Nyerere Road, P.O.Box 16541, Dar es Salaam, Tanzania	ezraz@gmi-tz.com info@gmi-tz.com chiwelesa@yahoo.com	Tel: 255-22-2865022 / 2862661 / 2862671 / 2862659 Fax: 255-22-2862667
Tunisia	Ets. Mohamed Ghorbel 03 Rue 8603 Chargaia I Tunis. Postal Code 2035	slim.ghorbel@gnet.tn moh.ghorbel@gnet.tn mourad.ghorbel@gnet.tn	Tel: 216-71794248 216-71793848 Fax: 216-71770759
Uganda	The Building Center (21) Ltd. 52 Station Road, Kitgum House, P.O. Box 7436 Kampala, Uganda	tbc@africaonline.co.ug chris@tbcu.co.ug	Tel: 256-041-4234567 256-041-4259754 Fax: 256-041-4236413
Yemen	Middle East Trading Co. (METCO) 5th Flr.Hayel Saeed Anam Bldg. Al-Mugamma St. Taiz, Yemen	tamer.metco@gmail.com tamer@metcotrading.com metco@metcotrading.com sami@metcotrading.com	Tel: 967-4-213455 Fax: 967-4-219869
	Middle East Trading Co. (METCO) Mualla Dakka, Aden	tamer.metco@gmail.com tamer@metcotrading.com metco@metcotrading.com	Tel: 967-2-222670 Fax: 967-2-222670
	Middle East Trading Co. (METCO) Hayel st., Sana'a, Yemen	tamer.metco@gmail.com tamer@metcotrading.com metco@metcotrading.com	Tel: 967-1-204201 Fax: 967-1-204204

UAE	Black & Decker (Overseas) GmbH P.O. Box 5420, Dubai	service.mea@blackdecker.com	Tel: 971-4 8127400 / 8127406 Fax: 971-4 2822765	
	Ideal Star Workshop Eqpt. Trading LLC P.O. Box 37116, Al Quoz, Dubai	idealeq@emirates.net.ae	Tel: 971-4 3474160 Fax: 971-4 3474157	
	Alebrah Engineering Service P.O. Box 78954, Al Qusais, Dubai	alebrah@eim.ae	Tel: 971-4 2850044 Fax: 971-4 2844802	
	Burj Al Madeena Industrial Area No. 1, opp. Pakistani Masjid P.O. Box 37635, Sharjah	dewaltuae@hotmail.com	Tel: 971-6 5337747 Fax: 971-6 5337719	
	McCoy Middle East LLC P.O. Box 25793, Sharjah	mccoy@emirates.net.ae	Tel: 971-6 5395931 Fax: 971-6 5395932	
	McCoy Middle East LLC P.O. Box 10584, Ras Al Khaimah	mccoyrak@gmail.com	Tel: 971-7 2277095 Fax: 971-7 2277096	
	Al Sukoon Gen. Trdg. Co. LLC P.O. Box 2975, Ajman	sukoon@eim.ae	Tel: 971-6 7435725 / 7438317 Fax: 971-6 7437350	
	Zillion Equipment and Spare Parts Trading LLC P.O. Box 19740, opp. Bin Sadal / Trimix Hedymyc Sanaiya, Al Ain	zilliontrdg@gmail.com	Tel: 971-3 7216690 Fax: 971-3 7216103	
	Light House Electrical, Abu Dhabi Branch P.O. Box 120, Abu Dhabi	dewalt_lhe@hotmail.com	Tel: 971-2 6726131 Fax: 971-2 6720667	
	Light House Electrical, Musafih Branch P.O. Box 120, Abu Dhabi	dewalt_lhe@hotmail.com	Tel: 971-2 5548315 Fax: 971-2 5540461	
	Bahrain	Alfouz Services Co. WLL P.O. Box 26562, Tubli, Manama	alfouz@batelco.com.bh	Tel: 973 17783562 / 17879987 Fax: 973 17783479
		Kavalani & Sons W.L.L. P.O. Box 71, Sitra, Manama	info@kavalani.com pradeep@kavalani.com	Tel: 973 17732888 Fax: 973 17737379
	Kuwait	Al Omar Technical Co. P.O. Box 4062, Safat 13041, Kuwait	alexotc@usa.net	Tel: 965 24848595 / 24840039 Fax: 965 24845652
		Fawaz Al Zayani Establishment P.O. Box 42426, Shop No.18, Al Humaizi Commercial Complex, Khalifa Al Jassim, Shuwaikh	dewaltkuwait@hotmail.com	Tel: 965 24828710 Fax: 965 24828716
Fawaz Al Zayani Establishment Fahaheel Industrial Area, Main St., Sanaya		dewaltkuwait@hotmail.com	Tel: 965 23925830 Fax: 965 24828716	
Oman	Al Jizzi Company LLC P.O. Box 1704, P.C. 112, Ruwi	aljizied@omantel.net.om zizzi10@omantel.net.om	Tel: 968 24832618 / 24835153 Fax: 968 24831334 / 24836460	
	Al Hassan Technical & Construction Supplies Co. LLC P.O. Box 1948, P.C. 112, Ruwi	hamriya.sr@al-hassan.com abrar.h@al-hassan.com	Tel: 968 24810575 / 24837054 Fax: 968 24810287 / 24833080	
	Oman Hardware Co. LLC P.O. Box 635, Ruwi Postal Code 112	omanhard@omantel.net.om	Tel: 968 24815131 Fax: 968 24816491	
	Khimji Ramdas P.O. Box 19, Post Code 100, Ghala, Muscat	bilal.m@khimjiramdas.com	Tel: 968 24595906/ 907 Fax: 968 24852752	
Qatar	Teyseer Industrial Supplies & Services Co. WLL 55, Al Wakalat St. (Between St. 18 & 19) Salwa Industrial Area, P.O. Box 40523 Doha	manish@tisso-qatar.com tool.service@tisso-qatar.com	Tel: 974 4581536 Fax: 974 4682024	
	Shaheen Electrical Works & Trading Co. WLL Gate 34, St. 44 Industrial Area P.O. Box 9756, Doha	shaheenelc@gmail.com	Tel: 974 460 02 30 / 460 05 25 Fax: 974 460 13 38	
KSA	Industrial Material Organization (IMO) P.O. Box 623, Rail Street, Riyadh	service@imo.com.sa	Tel: 966-1 4028010 Ext. 26 Tel: 966-1 8001245757 Fax: 966-1 4037970	
	Fawaz Ebrahim Al Zayani Trading Est. P.O. Box 76026, Al Raka : 31952	dewaltdammam@hotmail.com	Tel: 966-3 8140914 Fax: 966-3 8140824	
	MSS (Al-Mojil Supply & Services) P.O. Box 450, Jubail 31951 Opp-Gulf Bridge Library & Riyadh House	mssjubail@almojilservices.com alex.chang@almojilservices.com	Tel: 966-3 3612850 / 3624487 Tel: 966-3 3621729 Fax: 966-3 3623589 / 3620783	
	EAC (Al Yousef Contg. & Trdg. Est.) P.O. Box 30377, Jeddah -21477	golamkibria77@yahoo.com	Tel: 966-2 6519912 Fax: 966-2 6511153	
	Mohamed Ahmed Bin Afif Est. P.O. Box 530, Yanbu, Al Bahr	binaffiybanbu@hotmail.com	Tel: 966-4 3222626 / 3228867 Fax: 966-4 3222210	
	Garziz Trading for Bldg Mat & Decoration P.O. Box 3364, Madina	agarziz@yahoo.com	Tel: 966-4 826 14 90 / 822 76 36 Fax: 966-4 826 57 41	
	Sultan Garment Factory (RSC) P.O. Box 29912, Riyadh 11467	rscservice@dlignet.net.sa	Tel: 966-1 4055148 / 4042889 Fax: 966-1 4055148	
	Al Bawardi Tools & Hardware P.O. Box 112, Dammam 31411	asattar@albawardi.com nibanez@albawardi.com	Tel: 966-3 8330780 Ext. 24 Tel: 966-3 8348585 Ext. 24 Fax: 966-3 8336303	
	Al Bawardi Tools & Hardware P.O. Box 68, Riyadh 11411	rbalao@albawardi.com asamad@albawardi.com	Tel: 966-1 4484999 Fax: 966-3 4487877	
	Al Bawardi Tools & Hardware P.O. Box 16905, Jeddah 21474	sharadij@albawardi.com fgaber@albawardi.com	Tel: 966-2 6444547 / 6439035 Tel: 966-2 6456095 Fax: 966-2 6439024	