

---

# **DEWALT®**

---

**D25413**

**D25414**

**D25415**

**D25430**

**[www.DEWALT.com](http://www.DEWALT.com)**

<b>English (<i>original instructions</i>)</b>	<b>3</b>
<b>中文 (简体)</b>	<b>12</b>
<b>中文 (繁體)</b>	<b>21</b>
<b>한국어</b>	<b>30</b>
<b>BAHASA INDONESIA</b>	<b>39</b>
<b>ภาษาไทย</b>	<b>48</b>
<b>tiếng việt</b>	<b>57</b>

Figure 1

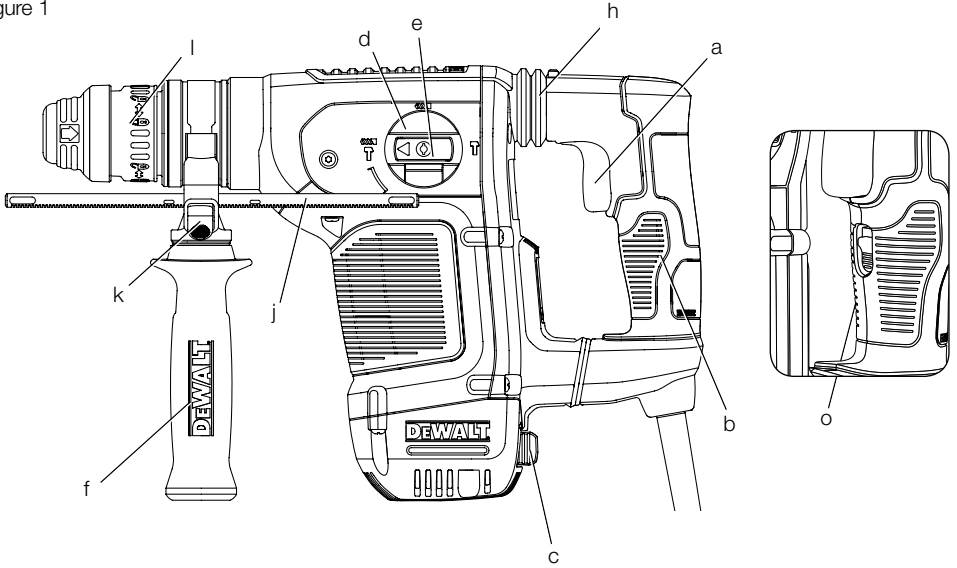


Figure 2

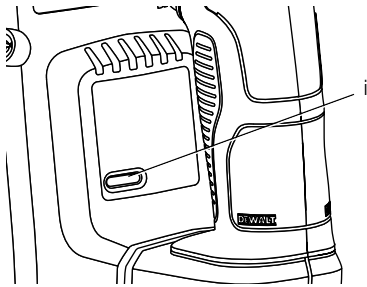


Figure 3

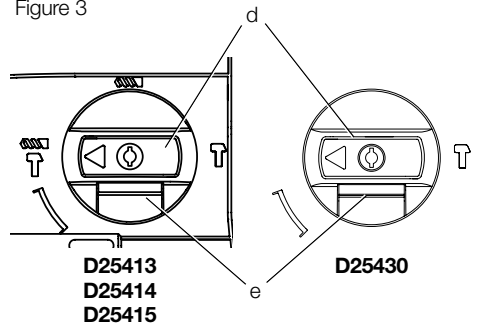


Figure 4

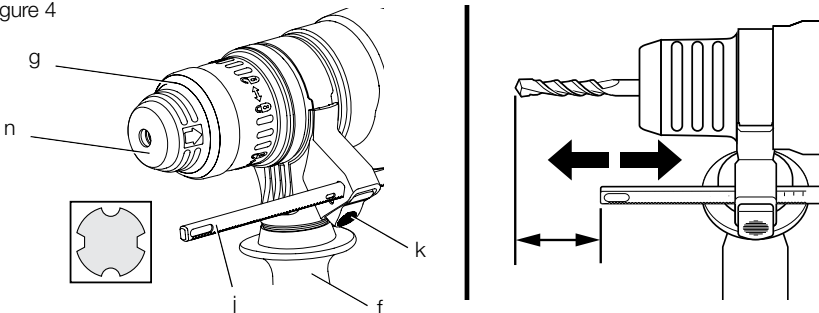


Figure 5

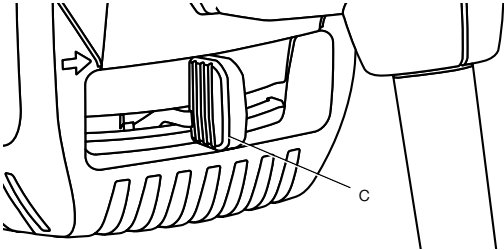


Figure 6

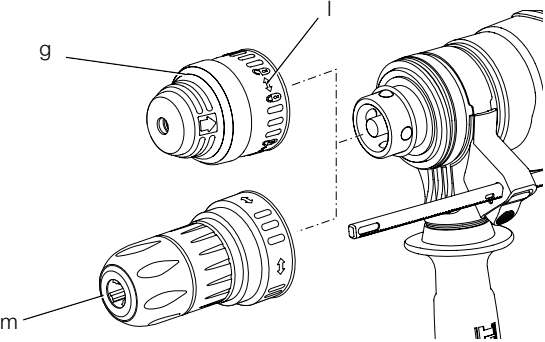
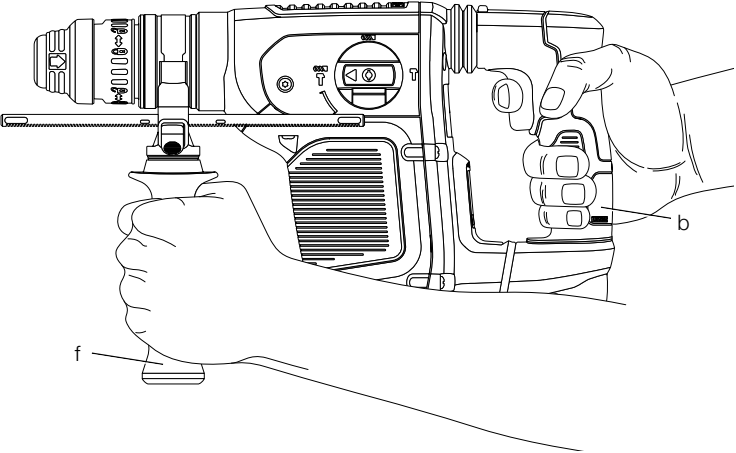


Figure 7



# HEAVY-DUTY ROTARY HAMMER

## D25413, D25414, D25415, D25430

### Congratulations!

You have chosen a DEWALT tool. Years of experience, thorough product development and innovation make DEWALT one of the most reliable partners for professional power tool users.

### Technical Data

		D25413	D25414	D25415	D25430
Voltage	V	220-240	220-240	220-240	220-240
Power Input	W	1000	1000	1000	1000
No load speed	min <sup>-1</sup>	0–820	0–820	0–820	–
Beats per minute	bpm	0–4700	0–4700	0–4700	0–4700
Impact energy					
Hammerdrilling	J	4.9	4.9	4.9	–
Chiselling	J	4.9	4.9	4.9	4.9
Maximum drilling range in steel/wood/concrete	mm	13/32/32	13/32/32	13/32/32	–
Chisel positions		12	12	12	12
Core drilling capacity in soft brick	mm	100	100	100	–
Tool holder		SDS Plus®	SDS Plus®	SDS Plus®	SDS Plus®
Collar diameter	mm	60	60	60	60
Weight	kg	4.2	4.3	4.3	4.0

### Definitions: Safety Guidelines

The definitions below describe the level of severity for each signal word. Please read the manual and pay attention to these symbols.



**DANGER:** Indicates an imminently hazardous situation which, if not avoided, **will** result in **death or serious injury**.



**WARNING:** Indicates a potentially hazardous situation which, if not avoided, **could** result in **death or serious injury**.



**CAUTION:** Indicates a potentially hazardous situation which, if not avoided, **may** result in **minor or moderate injury**.

**NOTICE:** Indicates a practice **not related to personal injury** which, if not avoided, **may** result in **property damage**.



Denotes risk of electric shock.



Denotes risk of fire.



**WARNING:** To reduce the risk of injury, read the instruction manual.

## General Power Tool Safety Warnings



**WARNING! Read all safety warnings and all instructions.** Failure to follow the warnings and instructions may result in electric shock, fire and/or serious injury.

### SAVE ALL WARNINGS AND INSTRUCTIONS FOR FUTURE REFERENCE

The term "power tool" in the warnings refers to your mains-operated (corded) power tool or battery-operated (cordless) power tool.

#### 1) WORK AREA SAFETY

- a) **Keep work area clean and well lit.** Cluttered or dark areas invite accidents.
- b) **Do not operate power tools in explosive atmospheres, such as in the presence of flammable liquids, gases or dust.** Power tools create sparks which may ignite the dust or fumes.
- c) **Keep children and bystanders away while operating a power tool.** Distractions can cause you to lose control.

#### 2) ELECTRICAL SAFETY

- a) **Power tool plugs must match the outlet. Never modify the plug in any way. Do not use any adapter plugs with earthed (grounded) power tools.** Unmodified plugs and matching outlets will reduce risk of electric shock.
- b) **Avoid body contact with earthed or grounded surfaces such as pipes, radiators, ranges and refrigerators.** There is an increased risk of electric shock if your body is earthed or grounded.
- c) **Do not expose power tools to rain or wet conditions.** Water entering a power tool will increase the risk of electric shock.
- d) **Do not abuse the cord. Never use the cord for carrying, pulling or unplugging the power tool. Keep cord away from heat, oil, sharp edges or moving parts.** Damaged or entangled cords increase the risk of electric shock.
- e) **When operating a power tool outdoors, use an extension cord suitable for outdoor use.** Use of a cord suitable for outdoor use reduces the risk of electric shock.
- f) **If operating a power tool in a damp location is unavoidable, use a residual current device (RCD) protected supply.** Use of an RCD reduces the risk of electric shock.

#### 3) PERSONAL SAFETY

- a) **Stay alert, watch what you are doing and use common sense when operating a power tool. Do not use a power tool while you are tired or under the influence of drugs, alcohol or medication.** A moment of inattention while operating power tools may result in serious personal injury.
- b) **Use personal protective equipment. Always wear eye protection.** Protective equipment such as dust mask, non-skid safety shoes, hard hat, or hearing protection used for appropriate conditions will reduce personal injuries.
- c) **Prevent unintentional starting. Ensure the switch is in the off position before connecting to power source and/or battery pack, picking up or carrying the tool.** Carrying power tools with your finger on the switch or energising power tools that have the switch on invites accidents.
- d) **Remove any adjusting key or wrench before turning the power tool on.** A wrench or a key left attached to a rotating part of the power tool may result in personal injury.
- e) **Do not overreach. Keep proper footing and balance at all times.** This enables better control of the power tool in unexpected situations.
- f) **Dress properly. Do not wear loose clothing or jewellery. Keep your hair, clothing and gloves away from moving parts.** Loose clothes, jewellery or long hair can be caught in moving parts.
- g) **If devices are provided for the connection of dust extraction and collection facilities, ensure these are connected and properly used.** Use of dust collection can reduce dust-related hazards.

#### 4) POWER TOOL USE AND CARE

- a) **Do not force the power tool. Use the correct power tool for your application.** The correct power tool will do the job better and safer at the rate for which it was designed.
- b) **Do not use the power tool if the switch does not turn it on and off.** Any power tool that cannot be controlled with the switch is dangerous and must be repaired.
- c) **Disconnect the plug from the power source and/or the battery pack from the power tool before making any adjustments, changing accessories, or storing power tools.** Such preventive safety measures reduce the risk of starting the power tool accidentally.

- d) **Store idle power tools out of the reach of children and do not allow persons unfamiliar with the power tool or these instructions to operate the power tool.**  
*Power tools are dangerous in the hands of untrained users.*
- e) **Maintain power tools. Check for misalignment or binding of moving parts, breakage of parts and any other condition that may affect the power tool's operation. If damaged, have the power tool repaired before use.**  
*Many accidents are caused by poorly maintained power tools.*
- f) **Keep cutting tools sharp and clean.**  
*Properly maintained cutting tools with sharp cutting edges are less likely to bind and are easier to control.*
- g) **Use the power tool, accessories and tool bits etc., in accordance with these instructions taking into account the working conditions and the work to be performed.**  
*Use of the power tool for operations different from those intended could result in a hazardous situation.*
- 5) SERVICE
- a) **Have your power tool serviced by a qualified repair person using only identical replacement parts.**  
*This will ensure that the safety of the power tool is maintained.*

## Additional Specific Safety Rules for Rotary Hammers

- **Wear ear protectors.**  
*Exposure to noise can cause hearing loss.*
- **Use auxiliary handles supplied with the tool.**  
*Loss of control can cause personal injury.*
- **Hold power tool by insulated gripping surfaces, when performing an operation where the cutting accessory or the fastener may contact hidden wiring or its own cord.**  
*Cutting accessory contacting a "live" wire may make exposed metal parts of the power tool "live" and could give the operator an electric shock.*
- **Use clamps or other practical way to secure and support the workpiece to a stable platform.**  
*Holding the work by hand or against your body is unstable and may lead to loss of control.*
- **Wear safety goggles or other eye protection.**  
*Hammering operations cause chips to fly. Flying particles can cause permanent eye damage. Wear a dust mask or respirator for applications that generate dust. Ear protection may be required for most applications.*

- **Keep a firm grip on the tool at all times. Do not attempt to operate this tool without holding it with both hands.**  
*It is recommended that the side handle be used at all times. Operating this tool with one hand will result in loss of control. Breaking through or encountering hard materials such as re-bar may be hazardous as well. Tighten the side handle securely before use.*
- **Do not operate this tool for long periods of time.**  
*Vibration caused by hammer action may be harmful to your hands and arms. Use gloves to provide extra cushion and limit exposure by taking frequent rest periods.*
- **Do not recondition bits yourself.**  
*Chisel reconditioning should be done by an authorized specialist. Improperly reconditioned chisels could cause injury.*
- **Wear gloves when operating tool or changing bits.**  
*Accessible metal parts on the tool and bits may get extremely hot during operation. Small bits of broken material may damage bare hands.*
- **Never lay the tool down until the bit has come to a complete stop.**  
*Moving bits could cause injury.*
- **Do not strike jammed bits with a hammer to dislodge them.**  
*Fragments of metal or material chips could dislodge and cause injury.*
- **Slightly worn chisels can be resharpened by grinding.**
- **Keep the power cord away from the rotating bit. Do not wrap the cord around any part of your body.**  
*An electric cord wrapped around a spinning bit may cause personal injury and loss of control.*

## Residual Risks

The following risks are inherent to the use of rotary hammers:

- injuries caused by touching the rotating parts or hot parts of the tool.

In spite of the application of the relevant safety regulations and the implementation of safety devices, certain residual risks cannot be avoided. These are:

- Impairment of hearing.
- Risk of squeezing fingers when changing the accessory.
- Health hazards caused by breathing dust developed when working in concrete and/or masonry.

## Markings on Tool

The following pictograms are shown on the tool:



Read instruction manual before use.



Wear ear protection.



Wear eye protection.

### DATE CODE POSITION

The date code, which also includes the year of manufacture, is printed into the housing.

Example:

2013 XX XX

Year of Manufacture

## Package Contents

The package contains:

- 1 Heavy-duty rotary hammerdrill
- 1 Side handle
- 1 Depth adjustment rod (D25413, D25414, D25415 only)
- 1 Kitbox
- 1 Keyless chuck (D25414 and D25415 only)
- 1 Instruction manual
- *Check for damage to the tool, parts or accessories which may have occurred during transport.*
- *Take the time to thoroughly read and understand this manual prior to operation.*

## Description (fig. 1–4, 6)



**WARNING:** Never modify the power tool or any part of it. Damage or personal injury could result.

- a. Variable speed switch
- b. Main handle
- c. Forward / reverse slider
- d. Mode selector
- e. Safety lock
- f. Side handle
- g. Tool holder / locking sleeve
- h. Shocks
- i. LED Indicator (D25415 only)

- j. Depth adjustment rod (D25413, D25414, D25415 only)
- k. Depth stop clamp
- l. Locking collar
- m. Chuck (D25414 and D25415 only)
- n. Dust cover
- o. Lock on button (D25430 only)

### INTENDED USE

#### D25413, D25414, D25415

These heavy-duty rotary hammers have been designed for professional drilling and hammerdrilling, screwdriving and light chipping.

#### D25430

This chipping hammer has been designed for professional chipping, chiselling and demolition applications.

**DO NOT** use under wet conditions or in the presence of flammable liquids or gases.

These hammerdrills are professional power tools.

**DO NOT** let children come into contact with the tool. Supervision is required when inexperienced operators use this tool.

- This product is not intended for use by persons (including children) suffering from diminished physical, sensory or mental abilities; lack of experience, knowledge or skills unless they are supervised by a person responsible for their safety. Children should never be left alone with this product.

### ACTIVE VIBRATION CONTROL (FIG. 1)

The active vibration control neutralises rebound vibration from the hammer mechanism. Lowering hand and arm vibration allows for more comfortable use for longer periods of time and extends the life of the unit.

For best vibration control, hold the tool with one hand on the main handle (b) and the other hand on the side handle (f). Apply just enough pressure so the hammer is approximately mid-stroke.

The hammer only needs enough pressure to engage the active vibraton control. Applying too much pressure will not make the tool drill or chip faster and active vibration control will not engage.



## TORQUE LIMITING CLUTCH



**WARNING:** The user must always maintain a firm grip on the tool when in operation.

The torque limiting clutch reduces the maximum torque reaction transmitted to the operator in case of jamming of a drill bit. This feature also prevents the gearing and electric motor from stalling.

**NOTICE:** Always turn the tool off before changing torque control settings or damage to tool may result.

## ANTI ROTATION SYSTEM D25415 (FIG. 2)

The anti rotation system offers increased user comfort and safety through an on-board, anti-rotation technology capable of detecting if the user loses control of the hammer. When a jam is detected, the torque and speed are reduced instantly. This feature prevents self rotation of the tool reducing the occurrence of wrist injuries. The red LED indicator (i) lights up if the anti-rotational device is activated.

## Electrical Safety

The electric motor has been designed for one voltage only. Always check that the power supply corresponds to the voltage on the rating plate.



Your DEWALT tool is double insulated in accordance with EN 60745; therefore no earth wire is required.



**WARNING:** 115 V units have to be operated via a fail-safe isolating transformer with an earth screen between the primary and secondary winding.

If the supply cord is damaged, it must be replaced by a specially prepared cord available through the DEWALT service organisation.

## Using an Extension Cable

If an extension cable is required, use an approved 3-core extension cable suitable for the power input of this tool (see **Technical Data**). The minimum conductor size is 1.5 mm<sup>2</sup>; the maximum length is 30 m.

When using a cable reel, always unwind the cable completely.

## ASSEMBLY AND ADJUSTMENTS



**WARNING:** To reduce the risk of injury, turn unit off and disconnect machine from power source before installing and removing accessories, before adjusting or changing set-ups or when making repairs. Be sure the trigger switch is in the OFF position. An accidental start-up can cause injury.

## Selecting the Operating Mode (fig. 3)

### D25413, D25414, D25415

The tool can be used in the following operating modes:



Rotary drilling: for screwdriving and for drilling into steel, wood and plastics.



Hammerdrilling: for concrete and masonry drilling operations.



Hammering only: for light chipping, chiselling and demolition applications. In this mode the tool can also be used as a lever to free a jammed drill bit.



### D25430

The tool can be used in the following operating modes:



Hammering only: for light chipping, chiselling and demolition applications. In this mode the tool can also be used as a lever to free a jammed drill bit.

1. To select the operating mode, press the safety lock (e) and rotate the mode selector switch (d) until it points to the symbol of the required mode.
2. Release the safety lock and check that the mode selector switch is locked in place.



**WARNING:** Do not select the operating mode when the tool is running.

## Indexing the Chisel Position (fig. 3)

The chisel can be indexed and locked into 12 different positions.

1. Rotate the mode selector switch (d) until it points to the hammerdrill mode symbol. Refer to **Selecting the Operating Mode** in **Assembly and Adjustments**.

2. Rotate the chisel in the desired position.
3. Set the mode selector switch (d) to the hammering only position.
4. Twist the chisel until it locks in position.

## Inserting and Removing SDS Plus® Accessories (fig. 4)

This tool uses SDS Plus® accessories (refer to the inset in figure 4 for a cross-section of an SDS Plus® bit shank). We recommend using professional accessories only.

1. Clean and grease the bit shank.
2. Insert the bit shank into the tool holder/locking sleeve (g).
3. Push the bit down and turn it slightly until it fits into the slots.
4. Pull on the bit to check if it is properly locked. The hammering function requires the bit to be able to move axially several centimetres when locked in the tool holder.
5. To remove a bit, pull back the tool holder/locking sleeve (g) and pull out the bit.



**WARNING:** Always wear gloves when you change accessories. The exposed metal parts on the tool and accessory may become extremely hot during operation.

## Fitting the Side Handle (fig. 1)

The side handle (f) can be fitted to suit both RH- and LH-users.



**WARNING:** Do not use the tool without the side handle properly assembled.

1. Loosen the side handle.
2. **For RH-users:** slide the side handle clamp over the collar behind the tool holder, handle at the left.  
**For LH-users:** slide the side handle clamp over the collar behind the tool holder, handle at the right.
3. Rotate the side handle to the desired position and tighten the handle.

## Setting the Drilling Depth (fig. 4)

### D25413, D25414, D25415 ONLY

1. Insert the required drill bit as described above.
2. Press the depth stop clamp (k) and keep it depressed.
3. Fit the depth adjustment rod (j) through the hole in the depth stop clamp.

4. Adjust the drilling depth as shown.
5. Release the depth stop clamp.

## Forward/reverse Slider (fig. 5)

1. Push the forward/reverse slider (c) to the LH-side for forward (RH) rotation. See arrows on tool.
2. Push the forward/reverse slider (c) to the RH-side for reverse (LH) rotation.



**WARNING:** Always wait until the motor has come to a complete standstill before changing the direction of rotation.

## Fitting a Chuck Adapter and Chuck (Sold Separately)

1. Screw a chuck onto the threaded end of the chuck adapter.
2. Insert the connected chuck and adapter in the tool as though it were a standard SDS Plus® bit.
3. To remove the chuck, proceed as for removing a standard SDS Plus® bit.



**WARNING:** Never use standard chucks in the hammerdrilling mode.

Consult your dealer for further information on the appropriate accessories.

## Replacing the Tool Holder with the Chuck (fig. 6)

### D25414 AND D25415 ONLY

1. Turn the locking collar (l) into the unlocking position and pull the tool holder/locking sleeve (g) off.
2. Push the chuck (m) onto the spindle and turn the locking collar into the locking position.
3. To replace the chuck with the tool holder, first remove the chuck the same way as the tool holder was removed. Then place the tool holder the same way as the chuck was placed.



**WARNING:** Never use standard chucks in the hammerdrilling mode.

## Replacing the Dust Cover (fig. 1, 4)

The dust cover (n) prevents dust ingress into the mechanism. Replace a worn dust cover immediately.

1. Pull back the tool holder locking sleeve (g) and pull the dust cover (n) off.
2. Fit the new dust cover.
3. Release the tool holder locking sleeve.

## OPERATION

### Instructions for Use



**WARNING:** Always observe the safety instructions and applicable regulations.



**WARNING:** To reduce the risk of injury, turn unit off and disconnect machine from power source before installing and removing accessories, before adjusting or changing set-ups or when making repairs.

Be sure the trigger switch is in the OFF position. An accidental start-up can cause injury.



**WARNING:**

- Be aware of the location of pipework and wiring.
- Apply only a gentle pressure to the tool (approx. 5 kg). Excessive force does not speed up drilling but decreases tool performance and may shorten tool life.
- Do not drill or drive too deep to prevent damage to the dust cover.
- Always hold the tool firmly with both hands and ensure a secure stance (fig. 7). Always operate the tool with the side handle properly mounted.

### Proper Hand Position (fig. 7)



**WARNING:** To reduce the risk of serious personal injury, **ALWAYS** use proper hand position as shown.



**WARNING:** To reduce the risk of serious personal injury, **ALWAYS** hold securely in anticipation of a sudden reaction.

Proper hand position requires one hand on the side handle (f), with the other hand on the main handle (b).

### Overload Clutch

If the drill bit becomes jammed or caught, the drive to the drill spindle is interrupted by the overload clutch. Because of the forces that occur as a result, always hold the machine securely with both hands and take a firm stance.

### Switching On and Off (fig. 1)

1. To run the tool, press the variable speed switch (a). The pressure exerted on the variable speed switch determines the tool speed.
2. To stop the tool, release the switch.
3. To lock the tool in the off position, move the forward/reverse slider (c) to the central position.

### Hammerdrilling (fig. 1)

#### DRILLING WITH A SOLID BIT

1. Set the mode selector switch (d) to the hammerdrilling position. Refer to **Selecting the Operating Mode** in **Assembly and Adjustments**.
2. Insert the appropriate drill bit.
 

**NOTE:** For best results use high quality carbide-tipped bits.
3. Adjust the side handle (f) as required.
4. If necessary, set the drilling depth.
5. Mark the spot where the hole is to be drilled.
6. Place the drill bit on the spot and switch on the tool.
7. Always switch off the tool when work is finished and before unplugging.

### Drilling with a Core Bit (fig. 1, 3)

1. Set the mode selector (d) to the hammerdrilling position. Refer to **Selecting the Operating Mode** in **Assembly and Adjustments**.
2. Adjust the side handle (f) as required.
3. Insert the appropriate core bit.
4. Assemble the centredrill into the core bit.
5. Place the centredrill on the spot and press the variable speed switch (a). Drill until the core penetrates into the concrete approx. 1 cm.
6. Stop drilling and remove the centredrill. Place the core bit back into the hole and continue drilling.
7. When drilling through a structure thicker than the depth of the core bit, break away the round cylinder of concrete or core inside the bit at regular intervals. To avoid unwanted breaking away of concrete around the hole, first drill a hole the diameter of the center drill completely through the structure. Then drill the cored hole halfway from each side.
8. Always switch off the tool when work is finished and before unplugging.

## Rotary Drilling (fig. 3)

### D25413, D25414, D25415 ONLY

1. Set the mode selector switch (d) to the rotary drilling position. Refer to **Selecting the Operating Mode** in **Assembly and Adjustments**.
2. Fit the chuck adapter/chuck assembly.
3. Proceed as described for hammerdrilling.



**WARNING:** Never use standard chucks in the hammerdrilling mode.

## Screwdriving (fig. 1, 3)

### D25413, D25414, D25415 ONLY

1. Set the mode selector switch (d) to the rotary drilling position. Refer to **Selecting the Operating Mode** in **Assembly and Adjustments**.
2. Select the direction of rotation.
3. Insert the special SDS Plus® screwdriving adaptor for use with hexagonal screwdriver bits.
4. Insert the appropriate screwdriver bit. When driving slotted head screws always use bits with a finder sleeve.
5. Gently press the variable speed switch (a) to prevent damage to the screw head. In reverse (LH) rotation the tool speed is automatically reduced for easy screw removal.
6. When the screw is flush with the workpiece, release the variable speed switch to prevent the screw head from penetrating into the workpiece.

## Chipping and Chiselling (fig. 1, 3)

1. Set the mode selector switch (d) to the hammering only position. Refer to **Selecting the Operating Mode** in **Assembly and Adjustments**.
2. Insert the appropriate chisel and rotate it by hand to lock it into one of 12 positions.
3. Adjust the side handle (f) as required.
4. Switch on the tool and start working.
5. Always switch off the tool when work is finished and before unplugging.



**WARNING:**

- Do not use this tool to mix or pump easily combustible or explosive fluids (benzine, alcohol, etc.).
- Do not mix or stir flammable liquids labelled accordingly.

## MAINTENANCE

Your DEWALT power tool has been designed to operate over a long period of time with a minimum of maintenance. Continuous satisfactory operation depends upon proper tool care and regular cleaning.



**WARNING:** To reduce the risk of injury, turn unit off and disconnect machine from power source before installing and removing accessories, before adjusting or changing set-ups or when making repairs.

Be sure the trigger switch is in the OFF position. An accidental start-up can cause injury.

## Motor Brushes

DEWALT uses an advanced brush system which automatically stops the drill when the brushes wear out. This prevents serious damage to the motor. New brush assemblies are available at authorised DEWALT service centers. Always use identical replacement parts.



## Lubrication

Your power tool requires no additional lubrication.



## Cleaning



**WARNING:** Blow dirt and dust out of the main housing with dry air as often as dirt is seen collecting in and around the air vents. Wear approved eye protection and approved dust mask when performing this procedure.



**WARNING:** Never use solvents or other harsh chemicals for cleaning the non-metallic parts of the tool. These chemicals may weaken the materials used in these parts. Use a cloth dampened only with water and mild soap. Never let any liquid get inside the tool; never immerse any part of the tool into a liquid.

## Optional Accessories



**WARNING:** *Since accessories, other than those offered by DEWALT, have not been tested with this product, use of such accessories with this tool could be hazardous. To reduce the risk of injury, only DEWALT recommended accessories should be used with this product.*

Various types of SDS Plus® drill bits and chisels are available as an option.

Consult your dealer for further information on the appropriate accessories.

## Protecting the Environment



Separate collection. This product must not be disposed of with normal household waste.

Should you find one day that your DEWALT product needs replacement, or if it is of no further use to you, do not dispose of it with household waste. Make this product available for separate collection.



Separate collection of used products and packaging allows materials to be recycled and used again. Re-use of recycled materials helps prevent environmental pollution and reduces the demand for raw materials.

Local regulations may provide for separate collection of electrical products from the household, at municipal waste sites or by the retailer when you purchase a new product.

DEWALT provides a facility for the collection and recycling of DEWALT products once they have reached the end of their working life. To take advantage of this service please return your product to any authorised repair agent who will collect them on our behalf.

You can check the location of your nearest authorised repair agent by contacting your local DEWALT office at the address indicated in this manual. Alternatively, a list of authorised DEWALT repair agents and full details of our after-sales service and contacts are available on the Internet at: **[www.2helpU.com](http://www.2helpU.com)**.

## 电锤

## D25413、D25414、D25415、D25430

## 恭喜！

感谢您选购得伟工具。凭借多年的产品开发和创新能力，DEWALT 已经成为专业电动工具用户最可靠的合作伙伴之一。

## 技术参数

		D25413	D25414	D25415	D25430
电压	伏特	220	220	220	220
输入功率	瓦	1000	1000	1000	1000
空载速度	转/分	0-820	0-820	0-820	-
每分钟冲击数	次/分	0-4700	0-4700	0-4700	0-4700
冲击能量					
锤钻	焦	4.9	4.9	4.9	-
凿切	焦	4.9	4.9	4.9	4.9
钢材/木材/混凝土中					
最大钻深	毫米	13/32/32	13/32/32	13/32/32	-
凿子位置		12	12	12	12
软质砖钻孔能力	毫米	100	100	100	-
工具夹持器		SDS Plus®	SDS Plus®	SDS Plus®	SDS Plus®
轴环直径	毫米	60	60	60	60
重量	千克	4.2	4.3	4.3	4.0

## 定义：安全指引

下列定义描述了各警示词的严重程度。请仔细阅读本手册，并注意这些警示符号。



**危险：**表示存在紧急危险情况，如果不加以避免，**将导致死亡或严重伤害。**



**警告：**表示存在潜在的危險情况，如果不加以避免，**可能导致死亡或严重伤害。**



**警示：**表示存在潜在危險情况，如果不加以避免，**可能导致轻度或中度伤害。**

**注意：**表示存在不**涉及人身伤害的情况**，如果不加以避免，**可能导致财产损失。**



表示存在触电风险。



表示存在火灾风险。



**警告：**为降低伤害风险，请阅读使用手册。

## 电动工具通用安全警告



**警告！阅读所有警告和所有说明。**不遵照以下警告和说明会导致电击、着火和/或严重伤害。

**保存所有警告和说明书以备查阅。**

在所有下列的警告中术语“电动工具”指市电驱动（有线）电动工具或电池驱动（无线）电动工具。

### a) 工作场地的安全

- 1) **保持工作场地清洁和明亮。**混乱和黑暗的场地会引发事故。
- 2) **不要在易爆环境，如有易燃液体、气体或粉尘的环境下操作电动工具。**电动工具产生的火花会点燃粉尘或气体。
- 3) **让儿童和旁观者离开后操作电动工具。**注意力不集中会使你失去对工具的控制。

### b) 电气安全

- 1) **电动工具插头必须与插座相配。**绝不能以任何方式改装插头。需接地的电动工具不能使用任何转换插头。未经改装的插头和相配的插座将减少电击危险。
- 2) **避免人体接触接地表面，如管道、散热片和冰箱。**如果你身体接地会增加电击危险。
- 3) **不得将电动工具暴露在雨中或潮湿环境中。**水进入电动工具将增加电击危险。
- 4) **不得滥用电线。**绝不用电线搬运、拉动电动工具或拔出其插头。使电线远离热源、油、锐边或运动部件。受损或缠绕的软线会增加电击危险。
- 5) **当在户外使用电动工具时，使用适合户外使用的外接软线。**适合户外使用的软线将减少电击危险。
- 6) **如果在潮湿环境下操作电动工具是不可避免的，应使用剩余电流动作保护器（RCD）。**使用RCD可减小电击危险。

### c) 人身安全

- 1) **保持警觉，当操作电动工具时关注所从事的操作并保持清醒。**当你感到疲倦，或在有药物、酒精或治疗反应时，不要操作电动工

具。在操作电动工具时瞬间的疏忽会导致严重人身伤害。

- 2) **使用个人防护装置。始终佩戴护目镜。**安全装置，诸如适当条件下使用防全面具、防滑安全鞋、安全帽、听力防护等装置能减少人身伤害。
- 3) **防止意外启动。确保开关在连接电源和/或电池组、拿起或搬运工具时处于关断位置。**手指放在已接通电源的开关上或开关处于接通时插入插头可能会导致危险。
- 4) **在电动工具接通之前，拿掉所有调节钥匙或扳手。**遗留在电动工具旋转零件上的扳手或钥匙会导致人身伤害。
- 5) **手不要伸展得太长。时刻注意立足点和身体平衡。**这样在意外情况下能很好地控制电动工具。
- 6) **着装适当。不要穿宽松衣服或佩戴饰品。**让你的衣服、手套和头发远离运动部件。宽松衣服、配饰或长发可能会卷入运动部件中。
- 7) **如果提供了与排屑、集尘设备连接用的装置，要确保他们连接完好且使用得当。**使用这些装置可减少尘屑引起的危险。

### d) 电动工具使用和注意事项

- 1) **不要滥用电动工具，根据用途使用适当的电动工具。**选用适当设计的电动工具会使你工作更有效、更安全。
- 2) **如果开关不能接通或关断工具电源，则不能使用该电动工具。**不能用开关来控制的电动工具是危险的且必须进行修理。
- 3) **在进行任何调节、更换附件或贮存电动工具之前，必须从电源上拔掉插头和/或使电池组与工具脱开。**这种防护性措施将减少工具意外起动的危险。
- 4) **将闲置不用的电动工具贮存在儿童所及范围之外，并且不要让不熟悉电动工具或对这些说明不了解的人操作电动工具。**电动工具在未经培训的用户手中是危险的。
- 5) **保养电动工具。检查运动件是否调整到位或卡住，检查零件破损情况和影响电动工具运行的其他状况。**如有损坏，电动工具应在使

**用前修理好。**许多事故由维护不良的电动工具引发。

- 6) **保持切削刀具锋利和清洁。**保养良好的有锋利切削刃的刀具不易卡住而且容易控制。
- 7) **按照使用说明书，考虑作业条件和进行的作业来使用电动工具、附件和工具的刀头等。**将电动工具用于那些与其用途不符的操作可能会导致危险。

#### e) 维修

- a) **将你的电动工具送交专业维修人员，使用同样的备件进行修理。**这样将确保所维修的电动工具的安全性。

## 电锤特定安全附加规则

- **戴好耳罩。**暴露在噪声中会引起听力损伤。
- **使用工具随附的辅助手柄。**操作失手会引起人身伤害。
- **在切割附件或紧固件有可能切割到暗线或自身电线的场所进行操作时，通过绝缘握持面来握住电动工具。**切削附件碰到带电导线会使工具外露的金属零件带电，从而使操作者受到电击。
- **使用夹具或采取其他可行的方法，将工件固定、支撑到稳定的平台上。**手持或用身体顶住工件都是不稳定的，会导致操作失控。
- **请佩戴安全护目镜或其它护目装备。**冲击操作会导致碎片飞散。飞散的颗粒会对眼睛造成永久性伤害。请在产生粉尘的应用环境佩戴防尘面具或口罩。大多数应用环境需要佩戴听力保护器。
- **时刻紧握工具。切勿尝试在不使用双手握住工具时操作此工具。**建议始终使用侧手柄。单手操作此工具会导致失控。穿透或遇到坚硬材料（如钢筋）也可能发生危险。使用前请务必稳固转紧侧手柄。
- **切勿长时间操作此工具。**锤击操作导致的振动可能会伤害您的手部和手臂。使用手套提供额外缓冲，经常停下休息，限制使用时间。

- **切勿自行整修钻头。**凿子的整修工作应由授权专业人员来完成。凿子整修不当可能会导致伤害。
- **操作工具或更换钻头时请佩戴手套。**工具和钻头上的可接触金属部件可能会在操作过程中变得非常热。破碎材料碎片可能会导致双手受伤。
- **直到钻头完全停止旋转才放下工具。**旋转的钻头可能会导致伤害。
- **请勿使用锤子击打卡住的钻头。**金属碎片或材料碎屑可能会弹出而导致伤害。
- **轻度磨损的凿子可通过打磨进行磨尖。**
- **让电线远离旋转中的钻头。请勿使用身体缠绕电线。**缠绕在旋转中的钻头周围的电线可能会导致人身伤害和失控。

## 剩余风险

使用电锤时具有下列固有危险：

- 碰触工具的旋转部件或带热的部件会导致人身伤害。

尽管遵守了相关的安全法规并采用了安全装备，某些剩余风险仍然是无法避免的。这些风险包括：

- 听力损伤。
- 更换附件时夹到手指的风险。
- 在混凝土和/或砖石环境中工作时，吸入粉尘导致的健康危害。

## 工具上的标记

工具上印有下列标志：



使用前请阅读使用手册。



请佩戴听力保护器。



请佩戴护目装备。



## 日期代码位置

包含制造年份的日期代码印在工具外壳上。

例如：

2013 XX XX

制造年份

## 包装内容

本产品包装内的物品有：

- 1 电锤
- 1 侧手柄
- 1 深度调节杆（仅适用于 D25413、D25414、D25415）
- 1 工具箱
- 1 自紧式夹头（仅适用于 D25414 和 D25415）
- 1 使用手册
- 检查工具、部件或附件是否在运输过程中损坏。
- 操作前，请抽空仔细阅读并掌握本手册。

## 说明（图 1-4、6）



**警告：**切勿改装电动工具或其任何部件，否则可能会导致损坏或人身伤害。

- a. 调速开关
- b. 主手柄
- c. 正/反转滑块
- d. 模式选择器
- e. 安全锁
- f. 侧手柄
- g. 工具夹持器/锁定套管
- h. 主动减振系统
- i. LED 指示灯（仅适用于 D25415）
- j. 深度调节杆（仅适用于 D25413、D25414、D25415）
- k. 限深器夹
- l. 锁环

m. 夹头（仅适用于 D25414 和 D25415）

n. 防尘罩

o. 锁定按钮（仅适用于 D25430）

## 设计用途

### D25413、D25414、D25415

这些电锤设计用于专业钻孔和锤钻、螺丝安装和轻型切削用途。

### D25430

本电锤设计用于专业切削、凿切和破碎应用。

禁止在潮湿环境中或在易燃液体或气体存在的环境中使用本工具。

这些电锤是专业型电动工具。

**请勿**让儿童接触本工具。缺乏经验的操作人员需要在监督下使用本工具。

- 本产品不适合体力、感官或智力不足以及缺乏经验、知识或技能的人员（包括儿童）使用，除非一旁有能为他们的安全负责的监督人员。不得在无人监管的情况下让儿童触及本产品。

## 有源震动控制（图 1）

有源振动控制可中和来自锤击机制的回弹振动。降低手部和手臂振动，可更舒适地在更长的时间内使用本工具，并延长装置的使用寿命。

为了达到最好的振动控制效果，请用一只手握住主手柄 (b)，用另一只手握住侧手柄 (f)。只需施加适量压力，让锤钻接近中间冲程。

锤钻只需要适量力度即可启动有源振动控制。过度用力并不会加快工具钻孔或切削的速度，也不会启动有源振动控制。

## 扭矩限制离合器



**警告：**用户在操作期间必须始终握紧工具。

扭矩限制离合器可减少钻头卡住时传递给操作员的最大扭矩反应。此功能还可防止排挡和电机失速。

**注意：**更换扭矩控制设置前必须关闭工具，否则可能损坏工具。

## 防旋转系统 D25415 (图 2)

防旋转系统采用嵌入式防旋转技术,可检测用户是否对电锤操作失控,使用户更舒适更安全。如果检测到阻塞,扭矩和转速会立即降低。此功能可防止工具自旋转,降低手腕损伤的风险。防旋转装置启动时,红色 LED 指示灯 (i) 亮起。

## 电器安全

电机只适用一种工作电压。请务必检查电源电压是否与铭牌上的电压一致。



您的 DeWALT 工具依据 IEC 60745 进行双重绝缘,因此无须接地线。



**警告:** 115V 装置必须通过故障保险隔离变压器操作,在初级绕组和次级绕组之间使用接地屏蔽。

若电源线损坏,必须交由 DeWALT 服务部门采用专门制备的电线进行更换。

## 使用延长电缆

如需使用延长电缆,请使用与本工具的输入电源(见**技术参数**)相符且经检验的 3 芯延长电缆。导体的最小尺寸为 1.5 平方毫米,最大长度为 30 米。

使用电缆卷筒时,请务必拉出所有的电缆。

## 组装和调整



**警告:** 为降低人身伤害的风险,在**拆、装附件或调整、修理工具之前,请关闭工具并拔下工具插头**。请确保触发开关处于关闭 (OFF) 位置。意外启动可能会导致人身伤害。

## 选择操作模式 (图 3)

### D25413、D25414、D25415

本工具可在以下操作模式下使用。



旋转钻孔: 用于螺丝安装以及在钢材、木材和塑胶上钻孔。



锤钻 用于在混凝土和砖石上钻孔。



锤击: 用于轻型切削、凿切和破碎应用。在此模式下,本工具还可用作杠杆,便于取出卡住的钻头。

### D25430

本工具可在以下操作模式下使用。



锤击: 用于轻型切削、凿切和破碎应用。在此模式下,本工具还可用作杠杆,便于取出卡住的钻头。

1. 要选择操作模式,可按下安全锁 (e) 并旋转模式选择器开关 (d) 直到开关指向所需的模式符号。
2. 释放安全锁并检查模式选择器开关是否锁定到位。



**警告:** 在工具运转时切勿选择操作模式。

## 标记凿子位置 (图 3)

可标记凿子并将它锁定在 12 个不同的位置中。

1. 旋转模式选择器开关 (d) 直到开关指向锤钻模式符号。请参阅“**组装和调整**”中的“**选择操作模式**”。
2. 将凿子旋转至所需位置。
3. 将模式选择器开关 (d) 设置为“锤击”位置。
4. 将凿子旋转至锁定位置。

## 插入和取出 SDS Plus® 附件 (图 4)

本工具使用 SDS Plus® 附件(请参阅插页中的图 4 查看 SDS Plus® 钻头杆的横截面图)。我们建议您仅使用专业附件。

1. 清洁和用油润滑钻头杆。
2. 将钻头杆插入工具夹持器/锁定套管 (g)。
3. 按下钻头并稍微转动,直到钻头安装到插槽里。

4. 拉动钻头以检查它是否正确锁定。锤打功能需要钻头在锁定到工具夹持器中时可以轴向移动数厘米。
5. 如果要取出钻头，请向后拉工具夹持器/锁定套管 (g)，然后将钻头拉出。



**警告：**更换附件时请务必佩戴手套。工具和附件上的裸露金属部分可能会在操作过程中变得非常热。

## 安装侧手柄（图 1）

侧手柄 (f) 可安装在适合右手和左手用户使用的位置。



**警告：**在侧手柄未正确组装时，切勿使用工具。

1. 松开侧手柄。
2. **右手用户：**在工具夹持器后面的轴环上方滑动侧手柄的夹具，在左侧进行操作。  
**左手用户：**在工具夹持器后面的轴环上方滑动侧手柄的夹具，在右侧进行操作。
3. 将侧手柄旋转至所需位置然后转紧手柄。

## 选择钻孔深度（图 4）

仅适用于 D25413、D25414、D25415

1. 按照上述说明插入所需钻头。
2. 按下限深器夹 (k)，保持在下陷位置。
3. 使深度调节杆 (j) 穿过限深器夹的孔。
4. 如图所示调节钻孔深度。
5. 释放限深器夹。

## 正/反转滑块（图 5）

1. 要向前 (RH) 旋转，将正/反转滑块 (c) 拨到左边。查看工具上的箭头。
2. 要向后 (LH) 旋转，将正/反转滑块 (c) 拨到右边。



**警告：**在改变旋转方向之前，请务必等到电机完全停止。

## 安装夹头连接器和夹头（单独出售）

1. 将夹头拧到夹头连接器的螺纹端。
2. 将连接好的夹头和连接器插入工具，就像标准 SDS Plus® 钻头一样。
3. 要取下夹头，可按照取下标准 SDS Plus® 钻头的步骤进行。



**警告：**切勿在锤钻模式下使用标准夹头。

请向您的经销商咨询更多关于合适附件的信息。

## 将工具夹持器更换成夹头（图 6）

仅适用于 D25414 和 D25415

1. 将锁环 (l) 旋转至解锁位置并将工具夹持器/锁定套管 (g) 拉出。
2. 将夹头 (m) 推向主轴并将锁环旋转至锁定位置。
3. 要使用工具夹持器更换夹头，请先按照取下工具夹持器的同样方式取下夹头。然后按照放置夹头的同样方式放置工具夹持器。



**警告：**切勿在锤钻模式下使用标准夹头。

## 更换防尘罩（图 1, 4）

防尘罩 (n) 可防止灰尘进入机器。防尘罩如果损坏，应立即更换。

1. 向后拉工具夹持器锁定套管 (g)，然后将防尘罩 (n) 拉出。
2. 安装新防尘罩。
3. 松开工具夹持器锁定套管。

## 操作

### 使用说明



**警告：**请务必遵守安全说明和适用法规。



**警告：**为降低人身伤害的风险，在拆、装附件或调整、修理工具之前，请关闭工具并拔下工具插头。请确保触发开关处于关闭 (OFF) 位置。意外启动可能会导致人身伤害。



**警告：**

- 注意管道和电线的布线位置。
- 轻轻地对工具施加压力 (约 5 kg)。过度用力不但不会加快钻孔的速度，而且会降低工具性能并可能缩短工具使用寿命。
- 切勿钻得太深以免损坏防尘罩。
- 务必用双手紧握工具并确保站稳 (图 7)。务必在正确安装侧手柄后才操作工具。

## 正确的手持方式 (图 7)



**警告：**为降低严重的人身伤害风险，请务必使用正确的手持方式，如图所示。



**警告：**为降低严重的人身伤害风险，请务必紧握工具以防止意外事件。

正确的手持方式要求一只手握住侧手柄 (f)，另一只手则握住主手柄 (b)。

## 离合器过载

如果钻头卡住或陷进去，则离合器过载会中断钻轴的驱动。由此会产生反作用力，因此请务必用双手牢固地按住机器并采取稳固的姿势。

## 启动与关闭 (图 1)

1. 要运转工具，请按下变速开关 (a)。按下变速开关的力度决定工具的转速。
2. 要停止运转工具，请松开开关。
3. 要将工具锁定到关闭位置，请将正/反转滑块 (c) 拨到中间位置。

## 锤钻 (图 1)

### 使用实心钻头钻孔

1. 将设置设置为“锤击”位置。请参阅“**组装和调整**”中的“**选择操作模式**”。
2. 插入相应的钻头。  
**注：**为了达到最好的效果，请使用高质量碳化钻头。
3. 按要求调整侧手柄 (f)。
4. 必要时可设置钻孔深度。
5. 在要钻孔的位置做标记。
6. 将钻头对准标记并开启工具。
7. 作业结束后，务必先关闭工具开关，然后再拔下工具插头。

### 使用取芯钻头钻孔 (图 1, 3)

1. 将模式选择器 (d) 设置为“锤击”位置。请参阅“**组装和调整**”中的“**选择操作模式**”。
2. 按要求调整侧手柄 (f)。
3. 插入相应的取芯钻头。
4. 将中心钻组装到取芯钻头。
5. 将中心钻对准标记，然后按下变速开关 (a)。进行钻孔操作直到取芯钻头穿透混凝土大约 1 厘米。
6. 停止钻孔并移除中心钻。将取芯钻头放回孔中然后继续钻孔。
7. 当要钻孔的材料厚度大于取芯钻头的深度时，可按固定间隔取出取芯钻头内部的圆柱形混凝土或材料。要避免意外碎裂孔周围的混凝土，可先钻一个完全穿透材料的中心钻直径大小的孔。然后从每侧向中间钻孔。
8. 作业结束后，务必先关闭工具开关，然后再拔下工具插头。

## 旋转钻孔（图 3）

仅适用于 D25413、D25414、D25415

1. 将模式选择器开关 (d) 设置为“旋转钻孔”位置。请参阅“**组装和调整**”中的“**选择操作模式**”。
2. 安装夹头连接器/夹头组件。
3. 按锤钻部分所述进行操作。



**警告：**切勿在锤钻模式下使用标准夹头。

## 螺丝安装（图 1, 3）

仅适用于 D25413、D25414、D25415

1. 将模式选择器开关 (d) 设置为“旋转钻孔”位置。请参阅“**组装和调整**”中的“**选择操作模式**”。
2. 选择旋转方向。
3. 插入专用 SDS Plus® 螺丝安装连接器以便与六角螺丝起子头搭配使用。
4. 插入相应的螺丝起子头。旋转平头螺丝时务必使用带探测套管的钻头。
5. 轻按变速开关 (a) 以免损坏螺丝头。反向 (LH) 旋转时工具会自动降低速度，以便取出螺丝。
6. 当螺丝已完全钻入工件时，请松开变速开关以避免螺丝头刺入工件。

## 切削和凿切（图 1, 3）

1. 将模式选择器开关 (d) 设置为“锤击”位置。请参阅“**组装和调整**”中的“**选择操作模式**”。
2. 插入相应的凿子然后手动旋转直到凿子锁定到 12 个位置的其中一个。
3. 按要求调整侧手柄 (f)。
4. 打开工具开关，然后开始工作。
5. 作业结束后，务必先关闭工具开关，然后再拔下工具插头。



**警告：**

- 切勿使用本工具混合或抽吸易燃或易爆液体（汽油、酒精等）。
- 切勿混合或搅拌具有易燃标签的液体。

## 维护

DEWALT 电动工具设计精良，可以长时间使用，而且只需极少的维护。要连续获得令人满意的工作效果，需要进行合适的工具维护和定期清洁。



**警告：**为降低人身伤害的风险，在拆、装附件或调整、修理工具之前，请关闭工具并拔下工具插头。请确保触发开关处于 OFF 位置。意外启动可能会导致人身伤害。

## 马达电刷

DEWALT 采用先进的电刷系统，当电刷磨损时，能够自动关闭工具。这可以防止严重损坏马达。在 DEWALT 授权的维修中心，可以提供新电刷组件。请务必使用相同的备件。



## 润滑

本电动工具无需另行润滑。



## 清洁



**警告：**一旦通风口和周围积聚了可见的粉尘，请立即用干燥的空气吹走主机外壳内的粉尘和灰尘。执行此过程时，需戴上经认可的护目装备和防尘面具。



**警告：**切勿使用溶剂或其他刺激性化学物质来清洁工具的非金属部件。这些化学物质可能会削弱这些部位使用的材料。请用布蘸温和的肥皂水擦拭。切勿让任何液体渗入工具，切勿让工具的任何部分浸在液体中。

## 可选附件



**警告：**除了 DEWALT 提供的附件之外，其他附件都未经本产品兼容性测试，若将此类附件与本工具一起使用将存在安全隐患。为降低伤害风险，本产品仅可使用 DEWALT 推荐的附件。

有各种不同类型的 SDS Plus® 钻头和凿子可供选购。

请向您的经销商咨询更多关于合适附件的信息。

## 保护环境



分类回收。本产品不得与普通家庭垃圾一起处理。

如果您发现您的 DEWALT 产品需要更换或您已经不再需要使用这些产品，请不要将它们与家庭垃圾一起处理。请将它们单独分类回收。



分类回收使用过的产品和包装能够让材料得以再循环和再利用。回收材料的再利用有助于防止环境污染，并降低对原材料的需求。

当地法规可能要求由市政废物处理点或向您出售新产品的零售商提供从家庭中分类回收电气产品的服务。

DEWALT 提供设施收集和回收使用寿命到期的 DEWALT 产品。若要享受这项服务，请将产品送回任一授权维修代理处，他们将代表我们回收您的产品。

您可以通过联系本手册中所记载的当地 DEWALT 办事处查询离您最近的授权维修代理的位置。您也可以通过网络获取 DEWALT 授权维修代理名单以及我们售后服务与联络人的完整详情，网址为：[www.2helpU.com](http://www.2helpU.com)。

**制造商：百得德国公司**

**地址：Black & Decker Str. 40 65510 Idstein, 德国**

**产地：捷克**

# 電鎚鑽

## D25413、D25414、D25415、D25430

### 恭喜閣下！

感謝您選購 DEWALT 工具。憑藉多年的產品開發和創新經驗，DEWALT 已成為專業電動工具使用者最信賴的夥伴之一。

### 技術資料

		D25413	D25414	D25415	D25430
電壓	V	110	110	110	110
功率輸入	W	1000	1000	1000	1000
空載轉速	min <sup>-1</sup>	0–820	0–820	0–820	–
每分鐘衝擊次數	bpm	0–4700	0–4700	0–4700	0–4700
衝擊能量					
鎚鑽	J	4.9	4.9	4.9	–
鑿打	J	4.9	4.9	4.9	4.9
鋼材/木材/混凝土的最大鑽孔範圍					
鑽孔範圍	mm	13/32/32	13/32/32	13/32/32	–
鑿子位置		12	12	12	12
軟質磚鑽孔能力	mm	100	100	100	–
工具夾持器		SDS Plus®	SDS Plus®	SDS Plus®	SDS Plus®
調整環直徑	mm	60	60	60	60
重量	公斤	4.2	4.3	4.3	4.0

### 定義：安全指南

以下定義描述了每一個詞彙的嚴重程度。請閱讀本手冊並注意這些符號。



**危險：**表示緊急危險情況，若未能避免，**將導致死亡或嚴重傷害。**



**警告：**表示潛在危險情況，若未能避免，**可能導致死亡或嚴重傷害。**



**小心：**表示潛在危險情況，若未能避免，**可能導致輕微或中度傷害。**

**注意：**表示一種**非人身傷害**的行為，若未能避免，**可能導致財產損失。**



表示觸電危險。



表示火災危險。



**警告：**為了降低受傷的風險，必須仔細閱讀使用手冊。

## 電動工具一般安全警告



**警告！請閱讀所有安全警告及指示。**不遵循這些警告和指示可能會導致觸電、火災及/或嚴重傷害。

**請妥善保存所有的警告和使用手冊  
以備將來查閱**

警告中的名詞「電動工具」是指電源驅動（插電）電動工具，或者電池驅動（充電）電動工具。

### 1) 工作場地安全

- 保持工作場地清潔和明亮。**混亂或黑暗的場地會引發事故。
- 不要在易爆環境，如有易燃液體、氣體或塵埃的環境中操作電動工具。**電動工具產生的火花可能會點燃粉塵或氣體。
- 請等待兒童和旁觀者離開之後才操作電動工具。**分心會導致您疏於控制。

### 2) 電力安全

- 電動工具插頭必須與插座相符。請勿以任何方式改裝插頭。**需接地的電動工具不能使用任何配接器插頭。未經改裝的插頭和相符的插座可以減少觸電危險。
- 避免人體接觸接地表面，如管道、散熱片、爐灶和冰箱。**若您的身體接地，會增加觸電危險。
- 不得將電動工具暴露在雨中或潮濕環境中。**水進入電動工具會增加觸電危險。
- 請勿濫用電線。請勿使用電線來搬運、拉動電動工具或拔出插頭。**讓電線遠離熱、油、銳邊和活動部件。受損或纏繞的電線會增加觸電危險。
- 若要在戶外使用電動工具，請使用適合戶外使用的延長電線。**使用適合戶外使用的電線可減少觸電危險。
- 若必須在潮濕場合使用電動工具，請使用漏電保護器 (RCD)。**使用 RCD 可降低觸電危險。

### 3) 人身安全

- 保持警覺；在操作電動工具時，請留意所執行的操作並按照一般的常識執行。**切勿在疲倦，或受到藥物、酒精或治療的影響下操作電動工具。操作電動工具期間注意力分散會導致嚴重人身傷害。
- 使用個人防護裝置。始終佩戴護目裝備。**防護裝置，例如在適當條件下使用的防塵面具、防滑安全鞋、安全帽或聽力保護等裝置可減少人身傷害。
- 避免意外啟動。連接電源及/或電池組、舉抬或搬運電動工具之前，請確定開關處於關閉位置。**搬運電動工具時若將手指放在開關上，或電動工具接通電源時開關處於開啟位置都會引發危險。
- 啟動電動工具之前，請卸下所有的調整鑰匙或扳手。**遺留在電動工具旋轉部件上的扳手或鑰匙會導致人身傷害。
- 不要過度伸張雙手。時刻註意腳下和身體的平衡。**如此即可在發生意外的情況下更好地控制電動工具。
- 適當穿著。不要穿寬鬆衣服或佩戴飾品。**讓您的頭髮、衣服和手套遠離活動部件。寬鬆衣服、佩飾或長髮可能會捲入活動部件。
- 若配備用於連接排屑裝置、集塵設備的裝置，請確定正確連接和使用這些裝置。**使用集塵設備可減少與粉塵有關的危險。

### 4) 電動工具的使用與維護

- 不要超負荷使用電動工具。**根據您的用途使用適當的電動工具。使用適當的電動工具在其設計可負荷的應用內，會讓您更有效、更安全地執行工作。
- 若開關不能開啟或關閉電源，請勿使用該電動工具。**不能用開關來控制的電動工具將存在危險，因此必須進行修理。
- 在執行任何調整、更換配件或儲存電動工具之前，請從電源上拔掉插頭及/或卸下電池**



組。這類防護性安全措施可降低電動工具意外啟動的風險。

- d) **將閒置的電動工具儲存在兒童無法接觸的地方，並且不要讓不熟悉電動工具或對這些使用指示不瞭解的人員操作電動工具。電動工具在未經培訓的使用者手中會發生危險。**
- e) **維護電動工具。檢查活動部件是否對準或卡住、破損情況以及是否存在影響電動工具運行的其他情況。若有損毀，必須在使用之前修理電動工具。**許多事故都是由於電動工具欠缺維護所導致。
- f) **保持刀具鋒利和清潔。**妥善維護、切削鋒利的刀具不會輕易卡住並可更輕鬆控制。
- g) **使用電動工具、配件和工具刀頭等時，請遵循這些指示使用，且指示須包含工作環境和所要執行工作的注意事項。**不按照設計目的使用電動工具會導致危險。

## 5) 檢修

- a) **本電動工具必須由合格的維修人員並只採用相同的替換零件來執行檢修。**這樣將確保電動工具的安全。

## 電錘之附加安全指示

- **請佩戴聽力保護器。**噪音會使聽力受損。
- **請使用工具隨附的輔助手柄。**工具失控會導致人身傷害。
- **若在執行操作時切割配件或緊固件可能會接觸隱藏的電線或它本身的電線，則只能從絕緣手柄表面握住電動工具。**若切削配件接觸到「帶電」導線，電動工具金屬部件表面就會「帶電」，從而導致操作人員觸電。
- **使用夾具或採取其他可行的方法，將工件固定、支撐到穩定的平台上。**手持或用身體頂住工件都是不穩定的，並會導致操作失控。
- **請佩帶護目鏡或其他護目裝備。**錘擊會引致碎片飛散。飛散的顆粒可以對眼睛造成永久傷

害。請在產生塵埃的環境佩戴面罩或口罩。大多數環境需要佩戴聽力保護器。

- **時刻緊握工具。必須使用雙手操作本工具。**建議任何時候均使用側手柄。使用單手操作本工具會導致操作失控。刺破或遇到堅硬材料如鋼筋亦會導致危險。使用之前必須扭緊側手柄。
- **切勿長時間操作此工具。**工具產生的震動可能令您的雙手和手臂受傷。請佩戴手套加強保護，而且經常稍作休息，減少承受的震力。
- **請勿自行整修鑽頭。**鑿子應由授權技師整修。不正確地整修鑿子可能導致傷害。
- **操作本工具或更換鑽頭時請佩戴手套。**操作時本工具可接觸的金屬部件和鑽頭溫度可能會非常高。破碎的材料可能會導致雙手受傷。
- **除非鑽頭已完全停止旋轉，否則請勿放下工具。**旋轉中的鑽頭可能會導致傷害。
- **請勿使用錘子敲打卡住的鑽頭。**金屬碎屑或材料切屑可能會彈出和導致傷害。
- **稍有磨損的鑿子可以透過打磨磨尖。**
- **讓電線遠離旋轉中的鑽頭。請勿使用身體纏繞電線。**纏繞在旋轉中的鑽頭附近的電線可能會導致人身傷害或失控。

## 剩餘風險

使用電錘有以下固有危險：

- 接觸工具的旋轉部件或高溫部件導致的傷害。
- 即使應用有關的安全規定並採用安全設備，仍然還有一些無法避免的剩餘風險。包括：
- 聽力受損。
  - 更換配件時擠壓手指的危險。
  - 在混凝土和/或磚石工作環境下產生的可吸入塵埃對健康的危害。

## 工具上的標誌

工具上可能會附帶下列圖示：



使用前請閱讀使用手冊。



請佩戴聽力保護器。



請佩戴護目裝備。

### 日期代碼位置

日期代碼，包括製造年份，已經印刷在工具外殼上。

範例：

2013 XX XX

製造年份

## 套裝內的物件

本套裝包括：

- 1 重型電錘
- 1 側手柄
- 1 深度調節桿（僅限 D25413、D25414、D25415）
- 1 工具箱
- 1 無鎖匙夾頭（僅限 D25414 和 D25415）
- 1 使用手冊
- 檢查工具、部件或配件是否在運輸過程中損壞。
- 操作前，請抽空徹底地閱讀和掌握本說明書的內容。

## 描述（圖 1-4、6）



**警告：**切勿改動本電動工具或其任何部件，否則可能導致損壞或人身傷害。

- a. 變速開關
- b. 主手柄
- c. 正/反轉開關
- d. 模式選擇器
- e. 安全鎖
- f. 側手柄
- g. 工具夾持器/鎖定套管
- h. 減震裝置
- i. LED 指示燈（僅限 D25415）
- j. 深度調節桿（僅限 D25413、D25414、D25415）
- k. 限深器夾頭
- l. 鎖定環
- m. 夾頭（僅限 D25414 和 D25415）
- n. 塵罩
- o. 鎖定按鈕（僅限 D25430）

### 設計用途

#### D25413、D25414、D25415

這些重型電錘設計用於專業鑽孔和錘鑽、螺旋操作和輕型切削用途。

#### D25430

本電錘設計用於專業切削、鑿打和拆除應用。

**請勿**在潮濕環境中或在有易燃液體或氣體的環境中使用本工具。

這些鏈鑽是專業的電動工具。

**不要**讓兒童接觸本工具。缺乏經驗的操作人員需要在監督下使用本工具。

- 體力、感覺或智力不足，以及缺乏經驗、知識或技能的人員（包括兒童）不適合使用本產品，除非一旁有能為他們的安全負責的監督人員。切勿讓兒童單獨接觸本工具。

## 震動主動控制 (圖 1)

震動主動控制可以減緩錘擊操作帶來的震動。透過減緩雙手和手臂的震動，可讓您舒適地操作較長時間，並延長工具的壽命。

為了達到最好的震動控制，請使用一只手握住主手柄 (b)，另一只手握住側手柄 (c)。使用適當的力度令鏈鑽大約在正確位置。

電錘只需要適量力度便可以啟動震動主動控制。過度用力並不會加快工具旋轉的速度，亦不會啟動震動主動控制。

## 扭矩限制離合器



**警告：**使用者在操作期間必須始終握緊工具。

扭矩限制離合器可減少鑽頭卡住時傳遞給操作員的最大反衝力。此功能還可防止傳動和電機失速。

**注意：**變更扭矩控制設定前必須關閉工具，否則可能損壞工具。

## 防旋轉系統 D25415 (圖 2)

防旋轉系統採用嵌入式防旋轉技術，能夠檢測使用者是否對電錘操作失控，提高操作舒適度與安全性。如果檢測到阻塞，扭矩和轉速會立即降低。此功能可防止工具自旋轉，降低手腕損傷的風險。防旋轉裝置啟動時，紅色 LED 指示燈 (i) 亮起。

## 電力安全

電動機只適用一種電壓。請務必檢查電源電壓是否與銘牌一致。



您的 DEWALT 工具根據 EN 60745 進行了雙重絕緣，因此不需要使用接地線。



**警告：**110V 伏特裝置必須透過失靈安全隔離變壓器運作，在初級繞組和次級繞組之間使用接地屏蔽。

若電源線損壞，必須使用 DEWALT 維修機構提供的專用電線進行更換。

## 使用延長電纜

若需要使用延長電纜，使用適合本工具電源輸入使用的認證 3 芯延長電纜（參閱**技術資料**）。導電體的最小尺寸為 1.5 mm<sup>2</sup>；最大長度為 30 m。

使用電纜捲筒時，每次必須把電纜完全展開。

## 裝配與調整



**警告：**若要降低傷害危險，請在安裝和移除配件前、調整或變更設定前或進行修理時關閉工具並斷開電源。請確保觸發開關處於關閉 (OFF) 位置。意外啟動工具可能會造成傷害。

## 選擇操作模式 (圖 3)

### D25413、D25414、D25415

本工具可使用以下操作模式：



旋轉鑽孔：用於螺旋以及在鋼材、木材和塑膠上鑽孔。



鏈鑽 用於在混凝土和磚石上鑽孔。

錘擊：用於輕型切削、鑿打和拆除應用。在此模式下，本工具還可用作槓桿，便於取出卡住的鑽頭。

### D25430

本工具可使用以下操作模式：



錘擊：用於輕型切削、鑿打和拆除應用。在此模式下，本工具還可用作槓桿，便於取出卡住的鑽頭。

1. 要選擇操作模式，可按下安全鎖 (e) 並旋轉模式選擇器開關 (d) 直到開關指向所需的模式符號。
2. 釋放安全鎖並檢查模式選擇器開關是否鎖定到位。



**警告：**工具運行時請勿選擇操作模式。

## 指示鑿子位置 (圖 3)

可標記鑿子並將它鎖定在 12 個不同的位置中。

1. 旋轉模式選擇器開關 (d) 直到開關指向錘鑽模式符號。請參閱**裝配與調整**中的**選擇操作模式**。
2. 將鑿子旋轉至所需位置。
3. 將模式選擇器 (d) 設定為「錘擊」位置。
4. 旋轉鑿子直至其鎖定到位。

## 插入與拆下 SDS Plus® 附件 (圖 4)

SDS Plus® 附件 (請參閱說明書圖 4, 瞭解 SDS Plus® 鑽頭桿的橫截面)。建議您僅使用專業附件。

1. 清潔和潤滑鑽頭桿。
2. 將鑽頭桿插入工具夾持器/鎖定套管 (g)。
3. 將鑽頭向下推, 輕輕旋轉直到安裝到槽內。
4. 拉一拉鑽頭檢查是否已正確地鎖住。要使用錘擊功能, 鑽頭需要在工具夾持器中鎖定時軸向地移動數公分。
5. 如果要取出鑽頭, 請向後拉工具夾持器/鎖定套管 (g), 然後將鑽頭拉出。



**警告：**更換配件時請務必佩帶手套。操作時本工具和配件表面的金屬部件可能會非常高溫。

## 安裝側手柄 (圖 1)

側手柄 (f) 可根據需要調整, 以適合右手操作和左手操作使用者的需要。



**警告：**在側手柄未正確安裝時, 切勿使用工具。

1. 鬆開側手柄。
2. **對於右手操作使用者：**在工具夾持器後的夾頭上方滑動側手柄的鉗夾, 在左側進行操作。

**對於左手操作使用者：**在工具夾持器後的夾頭上方滑動側手柄的鉗夾, 在右側進行操作。

3. 將側手柄旋轉至所需位置, 然後擰緊手柄。

## 設定鑽孔深度 (圖 4)

**僅限 D25413、D25414、D25415**

1. 按照上述說明插入所需鑽頭。
2. 按下限深器夾 (k), 保持在按下位置。
3. 使深度調節桿 (j) 穿過限深器夾的孔。
4. 如圖所示, 調整鑽孔深度。
5. 釋放限深器夾。

## 正/反轉開關 (圖 5)

1. 要向前 (右邊) 旋轉, 將正/反轉開關 (c) 撥到左邊。參閱工具上的箭頭。
2. 要反向 (右邊) 旋轉, 將正/反轉開關 (c) 撥到左邊。



**警告：**在更改旋轉方向之前, 請務必等待直到電動機完全停止。

## 安裝夾頭配接器和夾頭 (單獨銷售)

1. 將夾頭擰到夾頭配接器的螺紋端
2. 將連接好的夾頭和配接器插入工具, 如同插入標準的 SDS Plus® 鑽頭一般。
3. 要拆下夾頭, 可按照拆下標準 SDS Plus® 鑽頭的步驟進行。



**警告：**請勿在錘擊模式下使用標準夾頭。

如需進一步瞭解適用配件的相關資訊, 請洽詢當地代理商。

## 將工具夾持器更換為夾頭 (圖 6)

僅限 D25414 和 D25415

1. 將鎖定環 (l) 旋轉至解鎖位置並將工具夾持器/鎖定套管 (g) 拉出。
2. 將夾頭 (m) 推入心軸並將鎖定環旋轉至鎖定位置。
3. 若要將夾頭更換為工具夾持器，請先以卸下工具夾持器同樣的方式卸下夾頭。然後以安裝夾頭同樣的方式安裝工具夾持器。



**警告：**請勿在錘擊模式下使用標準夾頭。

## 更換塵罩 (圖 1, 4)

塵罩 (n) 可防止灰塵進入機器。塵罩如果損壞，應立即更換。

1. 向後拉工具夾持器鎖定套管 (g)，然後將塵罩 (n) 拉出。
2. 安裝新塵罩。
3. 鬆開工具夾持器鎖定套管。

## 操作

### 使用說明



**警告：**請時刻遵守安全指示和適用的規則。



**警告：**若要降低傷害危險，請在安裝和移除配件前、調整或變更設定前或進行修理時關閉工具並斷開電源。請確保觸發開關處於關閉 (OFF) 位置。意外啟動工具可能會造成傷害。



**警告：**

- 小心管線和導線的所在位置。
- 僅對工具施加適當的力度（大約 5 kg）。過大力度並不會加快鑽孔的速度，並會降低工具的效能和縮短工具的壽命。

- 切勿鑽得太深以避免塵罩損壞。
- 請務必使用雙手穩固地握住工具並站穩。7. 務必在已正確地安裝側手柄的情況下操作本工具。

## 正確的雙手放置位置 (圖 7)



**警告：**為降低遭受嚴重人身傷害的風險，務必如圖示那樣正確放置雙手。



**警告：**為降低遭受嚴重人身傷害的風險，預期有突然反應時務必握緊。

正確的雙手放置位置是一隻手放在側手柄 (f) 上，另一隻手握住主手柄 (b)。

## 過載離合器

如果鑽頭卡住或陷進去，則過載離合器會中斷鑽頭的驅動。由此會隨之產生反作用力，因此務必使用雙手握牢工具並採取穩固的站姿。

## 開啟和關閉電源 (圖 1)

1. 若要運行工具，請按變速開/關 (a)。按下變速開關的力度決定工具的轉速。
2. 若要停止工具，鬆開開關。
3. 要將工具鎖定到關閉位置，請將正/反轉開關 (c) 撥到中間位置。

## 錘鑽 (圖 1)

### 使用實心鑽頭鑽孔

1. 將模式選擇器 (d) 設定為「錘擊」位置。請參閱**裝配與調整**中的**選擇操作模式**。

2. 插入相應的鑽頭。

**註：**為了達到最好的效果，請使用高品質的硬合金鑽頭。

3. 按需要調整側手柄 (f)。
4. 必要時可設定鑽孔深度。
5. 在需要鑽孔的位置做標記。

6. 將鑽頭對準標記並開啟工具。
7. 工作完成後，拔出插頭前請務必關閉工具。

## 使用取芯鑽頭鑽孔 (圖 1, 3)

1. 將模式選擇器 (d) 設定為「錘擊」位置。請參閱**裝配與調整**中的**選擇操作模式**。
2. 按需要調整側手柄 (f)。
3. 插入相應的取芯鑽頭。
4. 將中心鑽裝配到取芯鑽頭。
5. 將中心鑽對準標記，然後按下變速開關 (a)。進行鑽孔操作直到取芯鑽頭穿透混凝土大約 1 厘米。
6. 停止鑽孔並移除中心鑽。將取芯鑽頭放回孔中然後繼續鑽孔。
7. 當要鑽孔的結構厚度大於取芯鑽頭的深度時，可按固定間隔移去鑽頭內部的圓柱形混凝土或芯材。要避免意外碎裂孔周圍的混凝土，可先鑽一個完全穿透該結構的中心鑽直徑的孔。然後從兩側向中間鑽孔。
8. 工作完成後，拔出插頭前請務必關閉工具。

## 旋轉鑽孔 (圖 3)

僅限 D25413、D25414、D25415

1. 將模式選擇器 (d) 設定為「旋轉鑽孔」位置。請參閱**裝配與調整**中的**選擇操作模式**。
2. 安裝夾頭配接器/夾頭組件。
3. 按錘鑽部分所述進行操作。



**警告：**請勿在錘擊模式下使用標準夾頭。

## 螺旋操作 (圖 1, 3)

僅限 D25413、D25414、D25415

1. 將模式選擇器 (d) 設定為「旋轉鑽孔」位置。請參閱**裝配與調整**中的**選擇操作模式**。
2. 選擇旋轉方向。

3. 安裝專用 SDS Plus® 螺旋配接器，以配合六角螺絲起子鑽頭使用。
4. 插入相應的電鑽起子頭。旋轉平頭螺絲時務必使用安裝了探測套管的鑽頭。
5. 輕按變速開關 (a) 以避免螺絲頭損壞。向後 (LH) 旋轉時工具會自動降低速度，以便移除螺絲。
6. 當螺絲已完全鑽入工件時，請放開變速開關以避免螺絲頭貫穿工件。

## 切削與擊打操作 (圖 1, 3)

1. 將模式選擇器 (d) 設定為「錘擊」位置。請參閱**裝配與調整**中的**選擇操作模式**。
2. 插入相應的鑿子，手動旋轉直到鑿子鎖定到 12 個位置的其中一個。
3. 按需要調整側手柄 (f)。
4. 開啟工具以開始操作。
5. 工作完成後，拔出插頭前請務必關閉工具。



**警告：**

- 請勿使用本工具來混合或泵打易燃或易爆液體（揮發油、酒精等等）。
- 請勿使用本工具來混合或攪拌標有易燃標記的液體。

## 維護

DEWALT 電動工具採用卓越的設計，能夠長時間使用，並且只需最少的維護。若要持續獲得滿意的操作效果，需進行正確的工具維護和定期的清潔。



**警告：**若要降低傷害危險，請在安裝和移除配件前、調整或變更設定前或進行修理時關閉工具並斷開電源。請確保觸發開關處於關閉 (OFF) 位置。意外啟動工具可能會造成傷害。

## 電動機電刷

DEWALT 使用先進電刷系統，可在電刷磨損時自動停止電鑽運轉。這可以防止對電動機造成嚴重損壞。授權的 DEWALT 維修中心提供新電刷組件。請務必使用相同的替換零件。



### 潤滑

本電動工具毋需額外潤滑。



### 清潔



**警告：**一旦通風口及其周圍積聚了可見的塵埃，請立即使用乾燥的壓縮空氣吹掉主機外殼內的塵埃和灰塵。執行此步驟時，請佩戴經認可的護目裝備和防塵面罩。



**警告：**切勿使用溶劑或其他刺激性化學品來清潔工具的非金屬部件。這些化學品可能會削弱零件中使用的材料。只能使用抹布蘸中性肥皂水進行清潔。不要讓任何液體進入工具；不要讓工具的任何部分浸入液體中。

## 選購配件



**警告：**由於非 DEWALT 所提供的配件未在本產品上進行過使用測試，在本產品上使用這些配件可能會導致危險。為降低傷害危險，在本產品上只應使用 DEWALT 所推薦的配件。

您可選購不同種類的 SDS Plus® 鑽頭以及鑿子。

如需進一步瞭解適用配件的相關資訊，請洽詢當地代理商。

## 保護環境



分類收集。本產品必須與一般家庭廢物分開處置。



若您發現您的 DEWALT 產品需要更換，或對您已無使用價值，請勿將其與家居廢物一起丟棄。務必將本產品送往分類收集處。



分類收集用過的產品和包裝允許材料再循環利用。重新使用循環利用的材料有助於防止環境污染，並減少原始材料的需求。

當地法規可能要求由市政廢物回收點，或由向您出售新產品的經銷商來提供從家庭中分類收集電子產品的服務。

DEWALT 在其產品使用壽命結束時提供 DEWALT 產品收集和回收利用的便利。若要享受此項服務，請將產品送回任一授權維修中心，由其代表我們進行收集。

請根據本手冊上所提供地址與當地 DEWALT 辦事處聯絡，查詢離您最近的授權維修中心所在位置。亦可瀏覽網站查詢 DEWALT 授權維修中心清單和售後服務及聯絡資料之詳細資訊，網址是：[www.2helpU.com](http://www.2helpU.com)。

進口商:新加坡商百得電動工具(股)台灣分公司  
地址:台北市北投區裕民六路120號4F  
電話:02-28201065

總經銷商:永安實業股份有限公司  
地址:新北市三重區新北大道二段137號  
電話:02-29994633



# 고성능 로타리 햄머

## D25413, D25414, D25415, D25430

### 축하합니다!

DEWALT 공구를 선택해 주셔서 감사합니다. DEWALT는 오랜 경험과 제품 개발 및 혁신을 통해 전문 전동 공구 사용자들이 인정하는 기업으로 자리잡아 왔습니다.

### 기술 데이터

		D25413	D25414	D25415	D25430
전압	V	220-240	220-240	220-240	220-240
소비전력	W	1000	1000	1000	1000
무부하 속도	min <sup>-1</sup>	0-820	0-820	0-820	-
분당 비트 수	bpm	0-4700	0-4700	0-4700	0-4700
타격력					
햄머드릴	J	4.9	4.9	4.9	-
치즐링	J	4.9	4.9	4.9	4.9
철금속/목재/콘크리트에서의 최대 천공 범위	mm	13/32/32	13/32/32	13/32/32	-
치즐 방향 선택		12	12	12	12
연벽돌에서의 코어 드릴 용량	mm	100	100	100	-
공구 홀더		SDS Plus®	SDS Plus®	SDS Plus®	SDS Plus®
칼라 직경	mm	60	60	60	60
무게	kg	4.2	4.3	4.3	4.0

### 정의: 안전 지침

다음 정의는 각 경고 문구의 심각도를 설명합니다. 사용 설명서를 읽고 다음 기호들에 유의하십시오.



**위험:** 절박한 위험 상태를 나타 내며, 방지하지 않으면 **사망 또는 심각한 부상을 초래합니다.**



**경고:** 잠재적 위험 상태를 나타내며, 방지하지 않으면 **사망 또는 심각한 부상을 초래할 수 있습니다.**



**주의:** 잠재적 위험 상태를 나타내며, 방지하지 않으면 **경미한 부상을 초래할 수 있습니다.**



**참고:** 신체 부상을 초래하지 않는 행위를 나타내며, 방지하지 않으면 **재산상의 손해가 발생할 수 있습니다.**



감전 위험을 나타냅니다.



화재 위험을 나타냅니다.



**경고:** 부상 위험을 줄이려면 사용 설명서를 숙지하십시오.



## 전동 공구에 관한 일반 안전 경고



**경고! 안전 경고와 지시사항을 모두 읽으십시오.** 경고와 지시 사항을 준수하지 않으면 감전, 화재 및/또는 심각한 부상을 초래할 수 있습니다.

**항후 참고할 수 있도록 모든 경고 및 지시 사항을 보관해두십시오.**

경고에서 사용된 "전동 공구"라는 용어는 주 공급 전원에 의해 전기가 공급되는(유선) 전동 공구 또는 충전식(무선) 전동 공구를 의미합니다.

### 1) 작업장 안전

- 작업 영역을 청결히 하고 조명을 밝게 유지하십시오. 혼잡하거나 어두운 작업장에서는 사고가 발생하기 쉽습니다.
- 가연성 액체, 가스 또는 먼지 등이 있는 폭발성 대기에서 전동 공구를 사용하지 마십시오. 전동 공구에서 먼지나 가스를 발화시킬 수 있는 불꽃이 될 수 있습니다.
- 전동 공구로 작업하는 동안에는 어린이와 주변 사람들이 작업 영역에 가까이 들어오지 못하도록 하십시오. 주변이 산만해져 통제력을 잃을 수 있습니다.

### 2) 전기 안전

- 전동 공구의 플러그는 콘센트와 형식이 일치해야 합니다. 플러그를 어떤 방식으로든 절대 개조하지 마십시오. 접지된(지면 접지) 전동 공구에 어떤 어댑터 플러그도 사용하지 마십시오. 개조되지 않은 플러그 및 형식이 일치하는 콘센트를 사용하면 감전 위험이 줄어듭니다.
- 파이프, 라디에이터, 렌지 및 냉장고 등과 같이 접지된 표면에 신체가 접촉하지 않도록 하십시오. 신체가 접지되어 있으면 감전 위험이 높아집니다.
- 전동 공구를 비 또는 습한 환경에 노출하지 않도록 주의하십시오. 전동 공구에 물이 들어가면 감전 위험이 높아집니다.
- 코드를 함부로 다루지 마십시오. 코드를 사용하여 전동 공구를 운반하거나 잡아당기거나 플러그를 뽑지 마십시오. 열, 오일, 날카로운 모서리 또는 움직이는 부품에서 멀리 떨어진 장소에 코드를 보관하십시오. 코드가 손상되거나 얽혀 있으면 감전 위험이 높아집니다.
- 전동 공구를 실외에서 사용할 때는 실외 사용에 적합한 연장 코드를 사용하십시오. 실외 사용에 적합한 코드를 사용하면 감전 위험이 줄어듭니다.
- 어쩔 수 없이 습한 장소에서 전동 공구를 사용해야 하는 경우에는 누전 차단기(RCD)로 보호된 전원 공급 장치를 사용하십시오. RCD(차단기)를 사용하면 감전 위험이 줄어듭니다.

### 3) 신체 안전

- 전동 공구로 작업할 때는 방심하지 말고 작업에 주의하면서 상식을 따르십시오. 피곤한 상태이거나 약물, 술, 치료제를 복용한 상태에서는 전동 공구를 사용하지 마십시오. 전동 공구를 사용하는 중에 주의력을 잃어 순간적으로 부상을 당할 수 있습니다.
- 신체 보호 장비를 착용하십시오. 항상 보안경을 착용하십시오. 적합한 상황에서 방진 마스크, 미끄럼 방지 안전화, 안전모 또는 청력 보호 기구 등의 보호 장비를 사용하면 신체 부상 위험이 줄어듭니다.
- 의도하지 않은 장비 가동 방지. 전원 및/또는 배터리 팩에 연결한 상태로 공구를 선택 또는 운반할 때는 상단에 스위치가 꺼짐 위치에 있는지 반드시 확인하십시오. 스위치가 켜짐 위치에 있는 상태에서 스위치에 손가락이 닿은 상태로 전동 공구를 운반하거나 전동 공구에 전원을 공급하면 사고가 발생할 수 있습니다.
- 전동 공구를 켜기 전에 모든 조정 키 또는 레버를 제거하십시오. 전동 공구의 회전 부품에 렌치나 키가 부착되어 있으면 부상을 당할 수 있습니다.
- 무리하게 팔을 뻗지 마십시오. 항상 올바른 자세로 서서 균형을 유지하십시오. 그러면 예기치 않은 상황에서 전동 공구에 대한 제어력이 향상됩니다.
- 적절한 작업복을 착용하십시오. 헐렁한 옷이나 장신구를 착용하지 마십시오. 머리카락, 옷 및 장갑이 움직이는 부품에 닿지 않도록 유의하십시오. 헐렁한 옷, 장신구 또는 긴 머리카락이 움직이는 부품에 걸 수 있습니다.
- 먼지 배출 및 집진 시설 연결을 위한 장치가 제공된 경우, 이들 장치가 연결되어 적절히 사용되고 있는지 반드시 확인하십시오. 집진 장치를 사용하면 먼지와 관련된 위험을 줄일 수 있습니다.

### 4) 전동 공구 사용 및 관리

- 전동 공구에 무리한 힘을 가하지 마십시오. 해당 용도에 맞는 올바른 전동 공구를 사용하십시오. 올바른 전동 공구를 사용해야 설계된 속도로 작업을 더욱 안전하고 정확하게 수행할 수 있습니다.
- 켜지거나 꺼지지 않는 경우 전동 공구를 사용하지 마십시오. 스위치로 제어되지 않는 전동 공구는 위험하며 수리해야 합니다.
- 전동 공구를 조정하거나 액세서리를 변경하거나 보관하기 전에 전원 및/또는 배터리 팩에서 플러그를 뽑으십시오. 이러한 예방적 안전 조치를 따라야 전동 공구가 갑자기 작동할 위험이 줄어듭니다.

- d) 사용하지 않는 전동 공구는 어린이의 손이 닿지 않는 곳에 보관하고, 전동 공구나 본 지시 사항에 익숙하지 않은 사람이 전동 공구를 절대 사용하지 못하게 하십시오. 전동 공구는 훈련을 받지 않은 사용자가 다루면 위험합니다.
  - e) 전동 공구 유지 보수 움직임은 부품의 잘못된 정렬이나 바인딩, 부품 파손 및 기타 전동 공구의 작동에 영향을 미칠 수 있는 기타 모든 상태를 확인하십시오. 손상된 부분이 있는 경우 사용하기 전에 전동 공구를 수리하십시오. 많은 사고는 전동 공구를 제대로 유지 보수하지 않아 발생합니다.
  - f) 절단 공구를 예리하고 깨끗한 상태로 유지하십시오. 절단기석 가장자리를 예리하게 잘 유지하면 절단기를 사용할 때 바인딩이 적고 다루기가 용이합니다.
  - g) 작업 환경과 수행할 작업을 고려하여, 본 지시 사항에 따라 전동 공구, 액세서리 및 톨 비트 등을 사용하십시오. 본 사용 설명서의 내용과 다른 용도로 전동 공구를 사용하면 위험한 상황이 발생할 수 있습니다.
- 5) 정비
- a) 자격을 갖춘 기술자가 동일 교체 부품을 사용하여 정비 작업을 수행해야 합니다. 그래야 전동 공구의 안전이 보장됩니다.

## 로타리 햄머에 특정하게 적용되는 추가 안전 규칙

- 귀 보호 장구를 착용하십시오. 소음에 노출되면 청력이 손상될 수 있습니다.
- 공구와 함께 제공되는 사이드 핸들을 사용하십시오. 제어력을 잃으면 신체 부상을 당할 수 있습니다.
- 절삭 액세서리가 숨겨진 배선 또는 자체 코드에 접촉할 수 있는 작업을 수행할 때는 절연된 손잡이 표면만 닿도록 하여 전동 공구를 잡으십시오. "전류가 흐르는" 전선에 접촉된 절삭 액세서리는 전동 공구의 노출된 금속 부품을 "전류가 흐르는" 상태로 만들어 작업자를 감전시킬 수 있습니다.
- 클램프 또는 다른 적절한 방식을 이용하여 안정된 작업대에 작업 공구들을 고정 및 지지하십시오. 작업물을 손으로 잡거나 몸에 지지하는 행동은 불안정하며, 제어력을 잃을 수 있습니다.
- 안전 고글 또는 기타 눈 보호 장구를 착용하십시오. 햄머 작업 시 파편이 날아갈 수 있습니다. 파편이 날아가 눈이 영구적으로 손상될 수 있습니다. 먼지가 발생하는 용도에 사용할 때는 마스크 또는 방독 마스크를 착용하십시오. 대부분의 경우에 귀 보호 장구가 필요할 수 있습니다.

- 항상 공구를 단단히 잡으십시오. 공구를 양 손으로 잡지 않고 이 공구를 작동하려고 시도하지 마십시오. 항상 사이드 핸들을 사용하는 것이 좋습니다. 한 손으로 이 공구를 사용하면 제어력을 잃을 수 있습니다. 강철봉과 같은 단단한 재질을 뚫는 것 또한 위험할 수 있습니다. 사용하기 전에 사이드 핸들을 단단히 조이십시오.
- 본 공구를 장시간 사용하지 마십시오. 햄머 작동으로 인한 진동은 손과 팔에 유해할 수 있습니다. 장갑을 사용하여 추가 쿠션을 제공하고 종종 휴식을 취하여 진동에 의한 노출을 제한하십시오.
- 직접 비트를 재조정하지 마십시오. 치질 재조정은 공인 전문가가 수행하여야 합니다. 치질을 잘못 재조정하면 부상을 입을 수 있습니다.
- 공구를 작동하거나 비트를 교환할 때는 장갑을 착용하십시오. 공구가 작동되는 동안 접근하기 쉬운 공구와 비트의 금속 부품은 매우 뜨거울 수 있습니다. 깨진 재료의 조그마한 부분이 맨손에 상처를 낼 수 있습니다.
- 비트가 완전히 멈출 때까지 공구를 내려 놓지 마십시오. 비트가 움직이면 부상을 입을 수 있습니다.
- 꼭 끼인 비트를 제거하기 위해 햄머로 치지 마십시오. 금속이나 금속 조각의 파편이 이동하여 부상을 입힐 수 있습니다.
- 약간 마모된 치질은 연마하여 다시 날카롭게 만들 수 있습니다.
- 전원 코드는 회전하는 비트 가까이에서 두지 마십시오. 신체 부위에 코드를 감싸지 마십시오. 방적 비트 주위로 감싼 전기 코드가 신체 부상을 초래하여 제어력을 잃을 수 있습니다.

## 기타 발생 가능한 위험

로타리 햄머 사용 시 다음과 같은 위험이 따를 수 있습니다.

- 공구의 회전 부품이나 뜨거운 부분을 만져서 발생하는 부상.
- 관련된 안전 규정을 준수하고 안전 장치를 사용한다고 해도 특정한 위험은 피할 수 없습니다. 이러한 위험은 다음과 같습니다.
- 청력 손상.
  - 액세서리 교체 시 손가락이 눌리는 위험
  - 콘크리트 및/또는 석재 작업 시 발생하는 먼지를 호흡하여 유발되는 건강 위해성

## 공구에 표시된 마크

공구에는 다음과 같은 그림이 있습니다.



사용 전에 사용 설명서의 내용을 숙지하십시오.



귀 보호 장구를 착용하십시오.



보안경을 착용하십시오.

### 날짜 코드 위치

날짜 코드(④)에는 제조년도가 포함되어 케이스에 인쇄되어 있습니다.

예:

2013 XX XX

제조년도

## 포장 내용물

포장에는 다음 내용물이 들어 있습니다.

- 1 고성능 로타리 햄머드릴
- 1 사이드 핸들
- 1 길이 조절봉 (D25413, D25414, D25415만 해당)
- 1 공구박스
- 1 키가 필요없는 척 (D25414 및 D25415만 해당)
- 1 사용 설명서
- 운반 중에 발생할 수 있는 공구, 부품 또는 액세서리의 손상 여부를 확인하십시오.
- 작동 전에 시간을 내어 본 사용 설명서를 읽고 숙지하십시오.

## 설명(그림 1~4, 6)



**경고:** 전동 공구 또는 전동 공구의 어떤 부품도 절대 개조하지 마십시오. 제품이 파손되거나 신체 부상을 당할 수 있습니다.

- a. 가변 속도 스위치
- b. 주 핸들
- c. 전진/후진 슬라이더
- d. 모드 선택기
- e. 안전 잠금장치
- f. 사이드 핸들
- g. 공구 홀더/록킹 슬리브
- h. 충격파

- i. LED 표시기(D25415만 해당)
- j. 길이 조절봉 (D25413, D25414, D25415만 해당)
- k. 길이 조절봉 클램프
- l. 잠금 칼라
- m. 척 (D25414 및 D25415만 해당)
- n. 먼지막이 커버
- o. 잠금 버튼(D25430만 해당)

## 용도

### D25413, D25414, D25415

이 고성능 로타리 햄머는 전문적인 드릴 및 햄머 드릴 작업, 나사 조이기 및 가벼운 파쇄 작업용으로 설계되었습니다.

### D25430

이 치핑 햄머는 전문 치핑, 치즐링 및 폭파 용으로 제작되었습니다.

습한 환경이나 가연성 액체 또는 가스가 있는 장소에서 사용하지 **마십시오**.

이 햄머드릴은 전문적인 전동 공구입니다.

어린이가 이 공구를 만지지 않도록 하십시오. 경험이 없는 작업자가 이 공구를 사용할 때는 감독자의 지도가 필요합니다.

- 본 제품은 안전 책임을 맡고 있는 사람이 감독을 하고 있지 않는 한 경험, 지식 또는 기술이 부족하고 신체적, 감각적 또는 정신적 능력이 미약한 사람(어린이 포함)이 사용하도록 고안된 것이 아닙니다. 이 제품과 함께 어린이만 혼자 두어서는 안됩니다.

### 능동 진동 제어 장치(그림 1)

능동 진동 제어 장치는 햄머 기계 장치의 반향 진동을 완화시켜줍니다. 손과 팔의 진동을 줄여서 장시간 더 편안하게 사용할 수 있도록 하고 기기의 수명을 연장해 줍니다.

진동을 최대한 제어하려면, 한 손은 주 핸들(b)을 잡고, 다른 한 손은 사이드 핸들(f)을 잡으십시오. 햄머가 약 중간 정도로 칠 압력만 가하십시오.

햄머는 능동 진동 제어 장치가 작동하도록 할 충분한 압력만 필요합니다. 너무 많은 압력을 가하면 공구 드릴 또는 자르기를 더 빠르게 할 수 없고 능동 진동 제어 장치가 작동하지 않게 됩니다.

### 토크 제한 클러치



**경고:** 공구 작동 시 사용자는 항상 공구를 꼭 잡고 있어야 합니다.

토크 제한 클러치는 드릴 비트가 움직이지 않는 경우 작업자에 전송되는 최대 토크 반작용을 줄여줍니다. 이 기능 또한 전동 장치와 전기 모터가 꺼지지 않도록 방지합니다.

**참고:** 항상 토크 제어 설정을 변경하기 전에 공구를 끄십시오. 그렇지 않으면 공구가 손상될 수 있습니다.

### 회전 방지 시스템D25415 (그림 2)

회전 방지 시스템은 사용자가 햄머 제어력을 잃을 경우 감지할 수 있는 탑재된 회전 방지 기술을 통해 사용자에게 증대된 편안함과 안전함을 제공합니다. 걸림이 감지되면 토크와 속도가 즉시 줄어듭니다. 이 기능은 손목 부상의 발생을 감소시키면서 공구의 자체 회전을 방지합니다. 회전 방지 장치가 작동되면 적색의 LED 표시등(①)이 점등됩니다.

## 전기 안전

전기 모터는 한 가지 전압에만 맞추어 설계되었습니다. 전원이 전동기 네임 플레이트에 기재된 전압과 일치하는지 항상 확인하십시오.



DEWALT 공구는 EN 60745에 따라 이중 절연되어 있으므로, 접지선이 필요하지 않습니다.



**경고:** 115 V 기기는 1차 권선과 2차 권선 사이에 접지판이 있는 페일 셰이프 절연 변압기를 통해 작동되어야 합니다.

전원 코드가 손상된 경우에는 DEWALT 서비스 센터를 통해 특수 제작된 코드로 교체해야만 합니다.

## 연장 케이블 이용

연장 케이블이 필요할 경우 이 공구의 소비전력에 맞는 승인된 3 코어 연장 케이블을 사용하십시오(기술 자료 참조). 최소 도체 크기는 1.5 mm², 최대 길이는 30 m입니다.

케이블 릴을 사용할 때는 항상 케이블을 완전히 푸십시오.

## 조립 및 조정



**경고:** 액세서리를 설치 및 제거하기 전, 설정 상태를 조정하거나 변경하기 전, 또는 수리 시 부상의 위험을 줄이려면 장치를 끄고 전원으로 부터의 연결을 차단하십시오. 트리거 스위치가 꺼짐 위치에 있는지 반드시 확인하십시오. 공구가 갑자기 작동하여 부상을 당할 수 있습니다.

## 작동 모드 선택 (그림 3)

D25413, D25414, D25415

다음과 같은 작동 모드에서 공구를 사용할 수 있습니다.



회전 드릴: 강철, 나무 및 플라스틱에서 나사를 조이거나 드릴 작업용.



햄머드릴: 콘크리트 및 석재 드릴 작업 시.

햄머 전용: 가벼운 치핑, 치즐링 및 폭파 용도. 이 모드에서는 팍 끼인 드릴 비트를 풀기 위해 공구를 레버로 사용할 수도 있습니다.

### D25430

다음과 같은 작동 모드에서 공구를 사용할 수 있습니다.



햄머 전용: 가벼운 치핑, 치즐링 및 폭파 용도. 이 모드에서는 팍 끼인 드릴 비트를 풀기 위해 공구를 레버로 사용할 수도 있습니다.

1. 작동 모드를 선택하려면, 안전 잠금 장치(①)를 누르고 모드 선택기 스위치(②)를 필요한 모드의 기호를 가리킬 때까지 돌립니다.
2. 안전 잠금 장치를 놓고 모든 선택기 스위치가 제자리에서 잠겼는지 확인합니다.



**경고:** 공구를 작동 중일 때는 작동 모드를 선택하지 마십시오.

## 치즐 위치 표시(그림 3)

치즐은 12개의 다양한 위치로 표시하고 잠글 수 있습니다.

1. 모드 선택기 스위치(①)가 햄머 드릴 기호를 가리킬 때까지 돌립니다. **조립 및 조절에서 작동 모드 선택**을 참조하십시오.
2. 치즐을 원하는 위치로 돌립니다.
3. 모드 선택기 스위치(①)가 햄머링 위치로만 설정합니다.
4. 치즐이 제자리에서 잠길 때까지 비틀어 돌립니다.

## SDS Plus® 액세서리 장착 및 분리 (그림 4)

이 공구는 SDS Plus® 액세서리를 사용합니다(SDS Plus® 비트 샹크의 단면도는 그림 4의 삽입도를 참조하십시오). 전문 액세서리만 사용하는 것이 좋습니다.

1. 비트 샹크를 닦고 그리스를 바릅니다.

2. 비트 상크를 공구 홀더/록킹 슬리브(g)에 끼웁니다.
3. 비트 아래를 밀어 슬롯에 맞을 때까지 약간 돌립니다.
4. 비트를 잡아 당겨 제대로 잠겼는지 확인하십시오. 햄머 기능을 사용하려면 공구 홀더에 잠겨 있을 때 비트를 축 방향으로 몇 센티미터 이동할 수 있어야 합니다.
5. 공구 홀더/록킹 슬리브(g)를 약간 뒤로 당겨 제거하려면 비트를 당겨 뺍니다.



**경고:** 회전 방향을 바꾸기 전에 항상 모터가 완전히 멈출 때까지 기다리십시오.



**경고:** 액세서리를 교환할 때는 항상 장갑을 착용하십시오. 작동 중에는 공구와 액세서리의 노출된 금속 부분이 매우 뜨거울 수 있습니다.

## 사이드 핸들 부착(그림 1)

사이드 핸들(h)은 오른손 및 왼손 사용자에게 맞게 장착할 수 있습니다.



**경고:** 보조 핸들을 제대로 조립하지 않은 상태에서 공구를 사용하지 마십시오.

1. 보조 핸들을 폽니다.
2. **오른손 사용자인 경우:** 보조 핸들 클램프를 공구 홀더 뒤의 칼라 위로 밀고 왼쪽에서 조종합니다.  
**왼손 사용자인 경우:** 보조 핸들 클램프를 공구 홀더 뒤의 칼라 위로 밀고 오른쪽에서 조종합니다.
3. 보조 핸들을 원하는 위치로 돌리고 핸들을 조입니다.

## 드릴 깊이 설정(그림 4)

D25413, D25414, D25415만 해당

1. 위에서 설명한 대로 필요한 드릴 비트를 삽입합니다.
2. 깊이 조절봉 클램프(k)를 누르고 그대로 유지합니다.
3. 깊이 조절봉(j)을 깊이 조절봉 클램프의 구멍을 통해 장착합니다.
4. 그림과 같이 드릴 깊이를 조절합니다.
5. 깊이 조절봉 클램프를 놓습니다.

## 전진/후진 슬라이더(그림 5)

1. 전진(RH) 회전을 위해 전진/후진 슬라이더(c)를 왼쪽(LH)으로 밀니다. 공구의 화살표를 참조하십시오.
2. 후진(LH) 회전을 위해 전진/후진 슬라이더(c)를 오른쪽(RH)으로 밀니다.

## 척 어댑터와 척 장착 (별도 판매)

1. 척을 척 어댑터의 나사산 끝에서 나사로 집니다.
2. 표준 SDS Plus® 비트처럼 연결된 척과 어댑터를 공구에 끼웁니다.
3. 척을 분리하려면, 표준 SDS Plus® 비트 제거 절차와 동일하게 진행하십시오.



**경고:** 햄머 드릴 모드에서는 절대 표준 척을 사용하지 마십시오.

해당 액세서리에 대한 자세한 정보는 판매 대리점으로 문의하십시오.

## 척을 사용해 공구 홀더 교체하기(그림 6)

### D25414 및 D25415만 해당

1. 잠금 칼라(ℓ)를 잠금 해제 위치로 돌린 뒤 공구 홀더/록킹 슬리브(g)를 당겨 분리합니다.
2. 스프indel 쪽으로 키가 필요없는 척(m)을 누른 뒤 잠금 칼라를 잠금 위치로 돌립니다.
3. 공구 홀더를 사용해 척을 교체하려면 먼저 공구 홀더 분리 방법과 동일한 방법으로 척을 분리합니다. 그런 다음 척을 끼운 것과 같은 방식으로 공구 홀더를 끼웁니다.



**경고:** 햄머 드릴 모드에서는 절대 표준 척을 사용하지 마십시오.

## 먼지막이 커버 교체(그림 1, 4)

먼지막이 커버(n)는 기계 장치로의 먼지 진입을 막아줍니다. 찢어진 먼지막이 커버는 즉시 교체하십시오.

1. 공구 홀더 록킹 슬리브(g)를 뒤로 당기고 먼지막이 커버(n)를 빼냅니다.
2. 새 먼지막이 커버를 장착합니다.
3. 공구 홀더 록킹 슬리브를 놓습니다.

## 작동

### 사용 지침



**경고:** 안전 지시 사항과 해당 규정을 항상 준수하십시오.



**경고:** 액세서리를 설치 및 제거하기 전, 설정 상태를 조정하거나 변경하기 전, 또는 수리 시 부상의 위험을 줄이려면 장치를 끄고 전원에서부터의 연결을 차단하십시오. 트리거 스위치가 꺼짐 위치에 있는지 반드시 확인하십시오. 공구가 갑자기 작동하여 부상을 당할 수 있습니다.



### 경고:

- 배관 및 배선 위치를 알아 두십시오.
- 공구에 적당한 압력만 가하십시오 (약 5kg). 과도한 힘을 가하면 드릴 속도가 올라가지 않고 공구 성능이 감소하고 공구 수명이 단축될 수 있습니다.
- 먼지막이 커버가 손상되지 않도록 하려면 너무 깊게 드릴하거나 작동하지 마십시오.
- 항상 공구를 양손으로 단단히 잡고 안정된 자세를 취하십시오. 7. 항상 사이드 핸들을 올바르게 장착한 상태에서 공구를 작동하십시오.

## 올바른 손의 위치(그림 7)



**경고:** 심각한 신체 부상의 위험을 줄이려면 항상 그림과 같이 올바르게 손을 위치하십시오.



**경고:** 심각한 부상의 위험을 줄이려면 항상 급작스러운 반동을 예상하고 확실하게 잡으십시오.

올바른 손의 위치가 되려면 한 손은 보조 핸들(ℓ)을 잡고, 다른 손은 주 핸들(b)을 잡습니다.

## 과부하 클러치

드릴 비트가 움직이지 않거나 끼이면 드릴 스프indel로 가는 드라이브가 과부화될 클러치에 의해 중단됩니다. 결과적으로 발생하는 힘으로 인해 항상 기기를 양손으로 확실하게 잡고 흔들리지 않게 세워두십시오.

## 전원 켜기 및 끄기(그림 1)

1. 공구를 작동하려면 가변 속도 스위치(a)를 누릅니다. 가변 속도 스위치를 누르는 힘에 따라 공구 속도가 결정됩니다.
2. 공구를 멈추려면 스위치를 풀어 줍니다.
3. 공구를 꺼짐 위치에 고정하려면 전진/후진 슬라이더(c)를 중앙 위치로 이동합니다.

## 햄머 드릴(그림 1)

### 슬리드 비트로 드릴

1. 모드 선택기(d)를 햄머 드릴 위치로 설정합니다. **조립 및 조절**에서 작동 모드 선택을 참조하십시오.
2. 해당 드릴 비트를 삽입합니다.

**참고:** 최상의 결과를 위해 고품질의 카바이드 팁 장착 비트를 사용하십시오.

3. 필요에 따라 사이드 핸들(ℓ)을 조정합니다.
4. 필요할 경우, 드릴 깊이를 설정합니다.
5. 드릴 작업을 할 구멍의 지점을 표시합니다.



6. 드릴 비트를 그 지점에 놓고 공구의 전원 스위치를 켭니다.
7. 작업이 끝나면 플러그를 빼기 전에 항상 공구 스위치를 꺼짐 위치로 놓습니다.

## 코어 비트로 드릴(그림 1, 3)

1. 모드 선택기(d)를 햄머드릴 위치로 설정합니다. **조립 및 조절**에서 **작동 모드 선택**을 참조하십시오.
2. 필요에 따라 사이드 핸들(f)을 조정합니다.
3. 해당 코어 비트를 끼웁니다.
4. 센터드릴을 코어 비트에 조립합니다.
5. 센터드릴을 그 지점에 놓고 가변 속도 스위치(a)를 누릅니다. 중심이 콘크리트 약 1 cm까지 뚫고 들어갈 때까지 드릴합니다.
6. 드릴 작업을 멈추고 센터드릴을 제거합니다. 코어 비트를 다시 구멍에 넣고 드릴을 계속합니다.
7. 코어 비트 깊이보다 더 두껍게 구조물을 드릴할 때, 콘크리트의 둥근 원통 또는 비트 인쪽의 코어를 일정한 간격으로 절단합니다. 구멍 주변에서 콘크리트가 이탈하지 않도록 하려면, 먼저 구조물을 통해 센터 드릴의 직경으로 구멍을 드릴합니다. 그런 다음 각 면에서 중간 지점까지 중심 구멍을 뚫습니다.
8. 작업이 끝나면 플러그를 빼기 전에 항상 공구 스위치를 꺼짐 위치로 놓습니다.

## 회전 드릴 작업(그림 3)

### D25413, D25414, D25415만 해당

1. 모드 선택기 스위치(d)를 회전 드릴 위치로 설정합니다. **조립 및 조절**에서 **작동 모드 선택**을 참조하십시오.
2. 척 어댑터/척 어셈블리를 장착합니다.
3. 위의 설명에 따라 햄머드릴을 진행합니다.



**경고:** 햄머 드릴 모드에서는 절대 표준 척을 사용하지 마십시오.

## 나사 조이기(그림 1, 3)

### D25413, D25414, D25415만 해당

1. 모드 선택기 스위치(d)를 회전 드릴 위치로 설정합니다. **조립 및 조절**에서 **작동 모드 선택**을 참조하십시오.
2. 회전 방향을 선택합니다.
3. 6각형 드라이버 비트와 함께 사용하려면 특수 SDS Plus® 나사 조이기 어댑터를 삽입합니다.
4. 해당 드라이버 비트를 삽입합니다. 마이너스 나사를 돌릴 때는 항상 파인더 슬리브와 함께 비트를 사용합니다.

5. 나사 머리가 손상되지 않도록 하려면 가변 속도 스위치(a)를 살짝 누릅니다. 후진(LH) 회전에서는 나사를 쉽게 제거할 수 있도록 공구 속도가 자동 감속됩니다.
6. 나사가 제조 공정에 있는 제품과 맞으면 가변 속도 스위치를 놓아서 나사 머리가 제조 공정에 있는 제품을 관통하지 않도록 합니다.

## 치핑 및 치즐링(그림 1, 3)

1. 모드 선택기 스위치(d)를 햄머 위치로만 설정합니다. **조립 및 조절**에서 **작동 모드 선택**을 참조하십시오.
2. 해당 치즐을 삽입하고 12개의 위치 중 하나에 고정될 수 있도록 손으로 돌립니다.
3. 필요에 따라 사이드 핸들(f)을 조정합니다.
4. 공구의 전원 스위치를 켜고 작업을 시작합니다.
5. 작업이 끝나면 플러그를 빼기 전에 항상 공구 스위치를 꺼짐 위치로 놓습니다.



### 경고:

- 쉽게 타거나 폭발성이 있는 액체(벤젠, 아크올 등)를 섞거나 주입하는 데 이 공구를 사용하지 마십시오.
- 따라서 라벨에 표시된 인화성 액체를 혼합하거나 섞지 마십시오.

## 유지 보수

DEWALT 전동 공구는 최소한의 유지 보수로 장기간에 걸쳐 작업이 가능하도록 설계되어 있습니다. 만족스러운 연속 작동은 적절한 공구 관리와 정기적인 청소에 따라 그 성능이 달라질 수 있습니다.



**경고: 액세서리를 설치 및 제거하기 전, 설정 상태를 조정하거나 변경하기 전, 또는 수리 시 부상의 위험을 줄이려면 장치를 끄고 전원으로부터의 연결을 차단하십시오.** 트리거 스위치가 꺼짐 위치에 있는지 반드시 확인하십시오. 공구가 갑자기 작동하여 부상을 당할 수 있습니다.

## 모터 브러시

DEWALT는 브러시가 마모되면 드릴을 자동으로 중단시키는 첨단 브러시 시스템을 채택했습니다. 따라서 모터의 심각한 손상이 방지됩니다. 새 브러시 어셈블리를 교체할 때는 DEWALT 서비스 센터를 이용할 수 있습니다. 항상 동일한 교체 부품을 사용하십시오.



## 운할방법

전동 공구는 별도의 운할 작업이 필요하지 않습니다.



### 청소



**경고:** 동공구 속이나 주변에 먼지가 쌓여있는 것이 보이면 가능한 한 자주 건조한 공기를 이용하여 몸체에서 먼지를 불어내십시오. 이 절차를 수행할 때에는 승인된 눈 보호 장구 및 승인된 방진 마스크를 착용하십시오.



**경고:** 공구의 금속 이외의 부품을 청소할 때는 용제 등의 강력한 화학약품을 절대 사용하지 마십시오. 그렇지 않으면 이러한 부분에 사용된 재료가 약해질 수 있습니다. 형견에 몰과 순한 비누를 적셔 닦아주십시오. 공구 내부에 액체를 넣거나 공구 부품을 액체에 담그는 행동은 절대 금물입니다.

지역에 따라 가정용 가전제품을 분리 수거하는 규정이 마련되어 있거나 새로운 제품을 구입할 때 판매점에서 폐기 방법을 알려줄 수 있습니다.

DEWALT는 사용이 끝난 DEWALT 제품을 수집하여 재활용하기 위한 시설을 운영하고 있습니다. 이 서비스를 활용하려면 당사가 폐 제품 수거를 위임한 공인 수리 대리점에 제품을 반환해 주십시오.

본 사용 사용 설명서에 기재된 연락처로 가까운 DEWALT 센터에 연락하면 가까운 수리 지정점 위치를 찾을 수 있습니다. 또는 다음 웹 사이트를 방문하여 DEWALT 수리 지정점 목록과 A/S 및 연락처 등 자세한 정보를 찾아볼 수 있습니다.

[www.dewalt.co.kr](http://www.dewalt.co.kr)

## 옵션 액세서리



**경고:** DEWALT에서 제공하지 않은 액세서리는 본 제품에서 테스트되지 않았으므로, 본 제품에서 이러한 액세서리를 사용하면 위험할 수 있습니다. 신체 부상의 위험을 줄이려면 본 제품에 DEWALT 권장 액세서리만 사용해야 합니다.

다양한 종류의 SDS Plus® 드릴 비트 및 치줄을 옵션으로 사용할 수 있습니다.

해당 액세서리에 대한 자세한 정보는 판매 대리점으로 문의하십시오.

## 환경 보호



분리 수거하십시오. 본 제품을 일반 가정용 쓰레기로 처리하면 안됩니다.

DEWALT 제품을 교체해야하거나 더 이상 쓸모가 없어졌다고 판단될 때는 본 제품을 가정용 쓰레기와 함께 처리하지 마십시오. 이 제품은 분리 수거하십시오.



사용하던 제품과 포장을 분리 수거하면 자원을 재활용 및 재사용할 수 있습니다. 재활용 자원을 이용하면 환경 오염이 방지되고 고철 자원에 대한 수요를 줄일 수 있습니다.



# PALU PUTAR UNTUK PEKERJAAN BERAT

## D25413, D25414, D25415, D25430

### Selamat!

Anda sudah memilih perkakas DEWALT. Pengalaman bertahun-tahun, pengembangan produk menyeluruh, dan inovasi, menjadikan DEWALT salah satu rekan paling andal bagi para pengguna alat listrik profesional.

### Data Teknis

		D25413	D25414	D25415	D25430
Voltase	V	220-240	220-240	220-240	220-240
Masukan Daya	W	1000	1000	1000	1000
Kecepatan tanpa beban	min <sup>-1</sup>	0–820	0–820	0–820	–
Ketukan per menit	bpm	0–4700	0–4700	0–4700	0–4700
Tenaga tumbukan					
Pengeboran tempa	J	4.9	4.9	4.9	–
Pemahatan	J	4.9	4.9	4.9	4.9
Jarak pengeboran maksimum pada baja/kayu/beton	mm	13/32/32	13/32/32	13/32/32	–
Posisi pahat		12	12	12	12
Kapasitas pengeboran inti dalam batu bata lunak	mm	100	100	100	–
Penahan alat		SDS Plus®	SDS Plus®	SDS Plus®	SDS Plus®
Diameter batang bor	mm	60	60	60	60
Berat	kg	4.2	4.3	4.3	4.0

### Definisi: Pedoman Keselamatan

Definisi berikut ini menjelaskan tingkat bahaya untuk setiap kata sinyal. Harap baca buku petunjuk dan perhatikan simbol-simbol ini.



**BAHAYA:** Mengindikasikan situasi berbahaya yang tak terelakkan, yang jika tidak dihindari, **pasti** mengakibatkan **kematian atau cedera parah**.



**PERINGATAN:** Mengindikasikan situasi berbahaya potensial, yang jika tidak dihindari, **dapat** mengakibatkan **kematian atau cedera berat**.



**PERHATIAN:** Mengindikasikan situasi berbahaya potensial, yang jika tidak dihindari, **mungkin** mengakibatkan **cedera ringan atau sedang**.



**PEMBERITAHUAN:** Mengindikasikan suatu praktik yang **tidak berhubungan dengan cedera pribadi**, yang jika tidak dihindari, **mungkin** mengakibatkan **kerusakan barang**.



Menunjukkan risiko sengatan listrik.



Menunjukkan risiko kebakaran.



**PERINGATAN:** Untuk mengurangi risiko cedera, baca buku petunjuk manual.

## Peringatan Keselamatan Alat Listrik Umum



**PERINGATAN! Baca seluruh peringatan keselamatan dan seluruh petunjuk.** Kegagalan untuk mematuhi peringatan dan petunjuk dapat mengakibatkan sengatan listrik, kebakaran, dan/atau cedera parah.

### SIMPAN SEMUA PERINGATAN DAN PETUNJUK UNTUK REFERENSI DI MASA MENDATANG

Istilah "alat listrik" dalam peringatan mengacu pada alat listrik milik Anda yang dioperasikan dengan listrik (berkabel) atau alat listrik yang dioperasikan dengan baterai (nirkabel).

#### 1) KESELAMATAN AREA KERJA

- Jaga area kerja agar tetap bersih dan terang.** Area yang berantakan atau gelap mengundang kecelakaan.
- Jangan mengoperasikan perkakas listrik ini di lingkungan yang mudah menimbulkan bahaya ledakan, seperti di tempat yang terdapat cairan mudah terbakar, gas atau debu.** Alat listrik memercikkan bunga api yang dapat membakar debu atau asap.
- Jauhkan anak-anak dan orang yang berada di sekitar, sewaktu mengoperasikan alat listrik.** Gangguan dapat mengakibatkan Anda kehilangan kendali.

#### 2) KESELAMATAN KELISTRIKAN

- Steker alat listrik harus sesuai dengan soketnya.** Jangan pernah memodifikasi steker dengan cara apa pun. Jangan gunakan steker adaptor apa pun dengan perkakas listrik yang dibumikan (grounded). Steker dan stop kontak yang tidak dimodifikasi dapat mengurangi risiko sengatan listrik.
- Hindari kontak badan dengan permukaan yang dibumikan (grounded), seperti pipa, radiator, kompor, dan kulkas.** Risiko sengatan listrik dapat bertambah jika tubuh Anda mengenai permukaan yang dibumikan (grounded).
- Jangan sampai alat listrik ini terkena hujan atau terpapar ke kondisi yang basah.** Air yang masuk ke alat listrik akan meningkatkan risiko sengatan listrik.
- Jangan menyalahgunakan kabel.** Jangan sekali-kali menggunakan kabel untuk membawa, menarik, atau mencabut perkakas listrik. Jauhkan kabel dari panas, minyak, tepi tajam atau komponen yang bergerak. Kabel rusak atau terbelit meningkatkan risiko sengatan listrik.

- Bila mengoperasikan alat listrik di luar ruangan, gunakan kabel sambungan yang sesuai untuk penggunaan di luar ruangan.** Menggunakan kabel yang sesuai untuk penggunaan di luar ruangan akan mengurangi risiko sengatan listrik.
- Jika terpaksa mengoperasikan alat listrik di lokasi lembap, gunakan catu daya yang dilindungi pemutus sirkuit arus sisa (RCD).** Penggunaan RCD akan mengurangi risiko sengatan listrik.

#### 3) KESELAMATAN DIRI

- Tetap waspada, perhatikan apa yang Anda kerjakan dan gunakan akal sehat saat mengoperasikan alat listrik. Jangan mengoperasikan perkakas listrik bila Anda sedang lelah, atau berada di bawah pengaruh obat, alkohol, atau pengobatan.** Kelengahan sesaat saja ketika mengoperasikan alat listrik dapat menyebabkan cedera diri yang parah.
- Gunakan peralatan pelindung diri. Selalu kenakan alat pelindung mata.** Peralatan peindung, seperti masker debu, sepatu keselamatan anti-selip, topi keras, atau pelindung telinga yang digunakan untuk kondisi yang sesuai akan menghindari cedera diri.
- Hindari menyalakan alat tanpa disengaja.** Pastikan bahwa sakelar sudah dalam posisi mati sebelum menghubungkannya ke sumber listrik dan/atau kemasam baterai, mengambil, atau membawa alat. Membawa alat listrik dengan jari Anda pada sakelar atau menghidupkan alat listrik yang sakelarnya masih menyala akan mengundang kecelakaan.
- Lepaskan semua kunci setelan atau kunci pas sebelum menghidupkan alat listrik.** Kunci pas atau kunci setelan yang dibiarkan terpasang pada komponen alat listrik yang berputar dapat mengakibatkan cedera diri.
- Jangan menjangkau melampaui batas.** Selalu jaga pijakan dan keseimbangan yang baik. Hal ini memungkinkan Anda untuk mengendalikan alat listrik dengan lebih baik dalam situasi yang tidak terduga.
- Kenakan pakaian yang sesuai.** Jangan mengenakan pakaian longgar atau perhiasan. Jauhkan rambut, pakaian dan sarung tangan dari komponen yang bergerak. Pakaian yang longgar, perhiasan, atau rambut panjang dapat terperangkap dalam komponen yang bergerak.
- Jika disediakan perangkat untuk sambungan fasilitas pengeluaran dan pengumpulan debu, pastikan perkakas ini dihubungkan dan digunakan dengan sesuai.** Penggunaan

perangkat pengumpul debu dapat mengurangi bahaya yang ditimbulkan oleh debu.

#### 4) PENGGUNAAN DAN PERAWATAN ALAT LISTRIK

- a) **Jangan menggunakan alat listrik dengan paksa. Gunakan perkakas listrik yang benar untuk aplikasi Anda.** Perkakas listrik yang tepat akan bekerja lebih baik dan aman pada tingkat kelajuan yang telah dirancang untuk perkakas itu.
- b) **Jangan gunakan alat listrik ini jika sakelar tidak dapat menghidupkan dan mematikan alat.** Perkakas listrik apa pun yang tidak dapat dikendalikan dengan sakelar adalah berbahaya dan harus diperbaiki.
- c) **Lepaskan stopkontak dari sumber listrik dan/atau baterai dari perkakas listrik sebelum melakukan penyetulan apa pun, mengganti aksesori, atau menyimpan perkakas listrik.** Tindakan pencegahan demi keselamatan tersebut mengurangi risiko menjalankan alat listrik secara tak sengaja.
- d) **Simpan alat listrik yang tidak digunakan jauh dari jangkauan anak-anak, dan jangan membolehkan orang yang tidak memahami alat listrik atau petunjuk ini untuk mengoperasikannya.** Alat listrik bisa berbahaya bila digunakan oleh pengguna yang tidak terlatih.
- e) **Rawat alat listrik. Lakukan pemeriksaan untuk mengetahui apakah ada komponen bergerak yang tidak sejajar atau bengkok, komponen yang patah, dan kondisi lainnya yang dapat mempengaruhi pengoperasian alat listrik. Jika rusak, perbaiki dahulu alat listrik sebelum digunakan.** Banyak terjadi kecelakaan akibat perkakas listrik yang tidak terawat dengan baik.
- f) **Jaga ketajaman dan kebersihan alat pemotong.** Alat pemotong yang dipelihara dengan baik, dengan pisau pemotong yang tajam, tidak gampang tersangkut dan lebih mudah dikendalikan.
- g) **Gunakan alat listrik, aksesori, dan mata bor, dsb. sesuai instruksi-instruksi ini, dengan memperhitungkan persyaratan kerja dan jenis pekerjaan yang harus dilakukan.** Menggunakan alat listrik untuk pengoperasian yang berbeda dengan yang dimaksudkan akan mengakibatkan situasi yang membahayakan.

#### 5) SERVIS

- a) **Alat listrik sebaiknya diservis oleh teknisi yang berkualifikasi dan hanya menggunakan komponen pengganti yang persis sama.** Ini akan menjamin keselamatan alat terpelihara.

## Aturan Keselamatan Tambahan Khusus untuk Palu Putar

- **Kenakanlah pelindung telinga.** Kebisingan yang terus-menerus dapat mengakibatkan kehilangan pendengaran.
- **Gunakan pegangan tambahan yang disertakan dengan perkakas ini.** Lepasnya kendali dapat menimbulkan cedera diri.
- **Pegang alat listrik pada permukaan pegangan berinsulasi saat melakukan operasi karena aksesori pemotong atau pengencang dapat mengenai kabel yang tersembunyi atau kabelnya sendiri.** Aksesori pemotong yang bersentuhan dengan kabel bertegangan listrik dapat mengalirkan arus listrik pada komponen logam alat listrik dan mengakibatkan sengatan listrik pada pengguna.
- **Gunakan jepitan atau cara praktis lain untuk mengamankan dan menyangga benda yang dikerjakan pada landasan yang stabil.** Memegang benda dengan tangan atau disandarkan pada tubuh Anda akan membuatnya tidak stabil dan dapat mengakibatkan lepasnya kendali.
- **Gunakan kacamata pengaman atau pelindung mata lainnya.** Operasi penempaan dapat mengakibatkan serpihan beterbangan. Partikel-partikel yang beterbangan dapat mengakibatkan cedera mata permanen. Gunakan masker atau respirator debu untuk aplikasi yang menimbulkan debu. Pelindung telinga mungkin dibutuhkan untuk sebagian besar aplikasi.
- **Selalu pegang alat dengan kencang. Jangan coba mengoperasikan alat ini tanpa memegangnya dengan kedua tangan.** Anda dianjurkan untuk selalu menggunakan pegangan samping. Pengoperasian alat ini dengan satu tangan akan mengakibatkan hilangnya kendali. Penembusan atau penempaan material keras semacam tulang beton juga dapat berbahaya. Kencangkan betul pegangan samping sebelum menggunakan alat.
- **Jangan operasikan perkakas ini untuk jangka waktu yang lama.** Vibrasi akibat kerja palu dapat mencederai tangan dan lengan Anda. Gunakan sarung tangan sebagai bantalan tambahan dan batasi paparan dengan cara sering melakukan pengistirahatan.
- **Jangan merekondisi mata bor sendiri.** Rekondisi alat pahat harus dikerjakan oleh seorang spesialis resmi. Alat pahat yang tidak direkondisi dengan benar dapat mengakibatkan cedera.

- **Gunakan sarung tangan saat mengoperasikan alat atau mengganti mata bor.** Komponen logam perkakas dan mata bor yang dapat disentuh bisa menjadi sangat panas selama pengoperasian. Pecahan-pecahan kecil material yang hancur dapat mencederaikan tangan telanjang.
- **Jangan pernah meletakkan alat sampai mata bor sudah berhenti total.** Mata bor yang masih bergerak dapat mengakibatkan cedera.
- **Jangan pukul mata bor yang macet dengan palu untuk melepaskannya.** Pecahan logam atau serpihan material dapat terlepas dan mengakibatkan cedera.
- **Alat pahat yang agak tumpul dapat ditajamkan ulang dengan gerinda.**
- **Jauhkan kabel daya dari mata bor yang berputar. Jangan belitkan kabel pada anggota tubuh Anda.** Kabel listrik yang membelit mata bor yang berputar dapat mengakibatkan cedera diri dan hilangnya kendali.

## Risiko-risiko lain

Risiko-risiko ini rentan terjadi dalam penggunaan palu putar:

- cedera yang dikarenakan menyentuh komponen yang berputar atau komponen alat yang panas.

Sekalipun peraturan keselamatan terkait sudah diterapkan dan peralatan pengaman sudah digunakan, risiko-risiko lain tertentu tidak dapat dihindari. Antara lain:

- Kerusakan indera pendengaran.
- Risiko terpejinya jari saat mengganti aksesoris.
- Bahaya kesehatan yang disebabkan karena menghirup debu saat mengerjakan beton dan/atau batu.

## Tanda pada Perkakas

Gambar-gambar berikut ini tertera pada perkakas:



Baca buku petunjuk sebelum penggunaan.



Gunakan pelindung telinga.



Gunakan pelindung mata.

## POSISI KODE TANGGAL

Kode tanggal, yang juga mencantumkan tahun produksi, dicetak pada kerangka alat.

Contoh:

2013 XX XX  
Tahun Pembuatan

## Isi Kemasan

Kemasan memuat:

- 1 Bor palu putar untuk pekerjaan berat
  - 1 Pegangan samping
  - 1 Batang penyesuai kedalaman (khusus D25413, D25414, D25415)
  - 1 Kotak perlengkapan
  - 1 Gagang tanpa kunci (khusus D25414 dan D25415)
  - 1 Buku petunjuk
- Periksa kerusakan pada perkakas, komponen atau aksesorisnya yang mungkin terjadi selama pengiriman.
  - Ambil waktu untuk membaca seluruh isi buku petunjuk ini dan memahaminya sebelum pengoperasian.

## Penjelasan (gbr. 1–4, 6)



**PERINGATAN:** Jangan pernah memodifikasi alat listrik atau komponennya. Ini dapat mengakibatkan kerusakan atau cedera pribadi.

- a. Sakelar kecepatan variabel
- b. Pegangan utama
- c. Penggeser maju/mundur
- d. Pemilih mode
- e. Kunci pengaman
- f. Pegangan samping
- g. Penahan alat / lengan pengunci
- h. Goncangan
- i. Indikator LED (khusus D25415)
- j. Batang penyesuai kedalaman (khusus D25413, D25414, D25415)
- k. Penjepit penghenti kedalaman
- l. Batang pengunci
- m. Gagang (khusus D25414 dan D25415)
- n. Penutup debu
- o. Tombol pengunci (khusus D25430)

**TUJUAN PENGGUNAAN**

**D25413, D25414, D25415**

Palu putar untuk tugas berat ini dirancang untuk pengeboran dan pengeboran tempa profesional, pengobong, dan pemotongan ringan.

**D25430**

Palu pemotong ini dirancang untuk aplikasi pemotongan, pemahatan, dan pembongkaran profesional.

**JANGAN** gunakan dalam kondisi basah atau di dekat cairan atau gas mudah terbakar.

Bor palu ini merupakan alat listrik profesional.

**JANGAN** biarkan anak-anak bersentuhan dengan perkakas ini. Dibutuhkan pengawasan bilamana alat ini digunakan oleh pengguna yang belum berpengalaman.

- Produk ini tidak ditujukan untuk penggunaan oleh orang (termasuk anak-anak) yang menderita kekurangan kemampuan fisik, sensorik, atau mental; kurang pengalaman, pengetahuan, atau keahlian, kecuali apabila mereka diawasi oleh orang yang bertanggung jawab atas keselamatan mereka. Jangan pernah meninggalkan anak-anak sendirian dengan produk ini.

**KENDALI VIBRASI AKTIF (GBR. 1)**

Kendali vibrasi aktif menetralkan vibrasi pantul dari mekanisme palu. Ini memungkinkan penggunaan yang lebih nyaman untuk jangka waktu lebih lama dan memperpanjang usia pakai alat dengan cara memperendah vibrasi tangan dan lengan.

Untuk kendali vibrasi terbaik, pegang alat dengan satu tangan pada pegangan utama (b) dan tangan lain pada pegangan samping (f). Gunakan cukup tekanan sehingga palu kurang-lebih memperoleh tekanan sedang.

Palu hanya membutuhkan cukup tekanan untuk memulai kendali vibrasi aktif. Penggunaan tekanan yang terlalu besar tidak akan membuat alat mengebor atau memotong lebih cepat dan kendali vibrasi aktif tidak akan berjalan.

**KOPLING PEMBATAS TORSI**



**PERINGATAN:** Pengguna harus selalu memegang alat dengan sangat erat saat dioperasikan.

Kopling pembatas torsi mengurangi reaksi torsi maksimum yang ditransmisikan ke operator jika mata bor mengalami macet. Fitur ini juga mencegah motor roda gigi dan listrik macet.

**PEMBERITAHUAN:** Selalu matikan alat sebelum mengubah setelan kontrol torsi atau dapat terjadi kerusakan pada alat.

**SISTEM ANTI-ROTASI D25415 (GBR. 2)**

Sistem anti-rotasi memberikan kenyamanan dan keamanan penggunaan yang lebih baik melalui teknologi anti-rotasi on-board yang mampu melakukan pendeteksian jika pengguna tidak dapat mengendalikan palu. Ketika macet terdeteksi, torsi dan kecepatan akan langsung berkurang. Fitur ini mencegah rotasi alat yang terjadi sendiri, sehingga dapat mengurangi terjadinya cedera pergelangan tangan. Indikator LED merah (i) menyala jika perangkat anti-rotasi diaktifkan.

**Keselamatan Listrik**

Motor listrik dirancang hanya untuk satu voltase. Selalu periksa apakah catu daya sesuai dengan nilai tegangan yang tercantum pada papan nilai.



Alat DEWALT Anda sudah diinsulasi ganda sesuai EN 60745; karena itu, tidak membutuhkan kabel yang dibumikan.



**PERINGATAN:** Unit 115 V harus dioperasikan melalui trafo pengisolasi bebas-gagal dengan tabir bumi antara lilitan primer dan sekunder.

Bila kabel suplai rusak, harus diganti dengan kabel khusus yang disediakan oleh organisasi layanan DEWALT.

**Menggunakan Kabel Ekstensi**

Jika kabel ekstensi diperlukan, gunakan kabel ekstensi 3 inti yang disetujui dan sesuai untuk masukan daya alat ini (lihat **Data Teknis**). Ukuran konduktor minimum adalah 1,5 mm<sup>2</sup>; panjang maksimum adalah 30 m.

Bila menggunakan gulungan kabel, selalu ulur kabel sepenuhnya.

**PERAKITAN DAN PENYESUAIAN**



**PERINGATAN:** Untuk mengurangi risiko cedera, matikan unit, lalu lepaskan sambungan mesin dari sumber listrik sebelum memasang dan melepaskan aksesoris, sebelum menyatel maupun mengubah pengaturan, atau saat melakukan perbaikan. Pastikan sakelar pemicu dalam posisi OFF. Perkakas yang mendadak menyala dapat mengakibatkan cedera.

**Memilih Mode Operasi (gbr. 3)**

**D25413, D25414, D25415**

Alat dapat digunakan dalam tiga mode operasi berikut:



Pengeboran putar: untuk pengobong dan pengeboran baja, kayu, dan plastik.



Pengeboran tempa untuk pengeboran beton dan tembok.



Penempaan saja: untuk pemotongan, pemahatan, dan pembongkaran ringan. Dalam mode ini, alat juga dapat digunakan sebagai tuas untuk mengatasi mata bor yang macet.

#### D25430

Alat dapat digunakan dalam tiga mode operasi berikut:



Penempaan saja: untuk pemotongan, pemahatan, dan pembongkaran ringan. Dalam mode ini, alat juga dapat digunakan sebagai tuas untuk mengatasi mata bor yang macet.

1. Untuk memilih mode operasi, tekan kunci pengaman (e) dan sakelar pemilih mode (d) sampai menunjuk ke simbol mode yang diinginkan.
2. Lepaskan kunci pengaman dan pastikan sakelar pemilih mode terkunci di tempatnya.



**PERINGATAN:** Jangan memilih modus operasi bila alat sedang dijalankan.

### Menyusun Posisi Pahat (gbr. 3)

Pahat dapat disusun dan dikunci ke dalam 12 posisi yang berbeda.

1. Putar sakelar pemilih mode (d) sampai menunjuk ke simbol mode bor palu. Baca **Memilih Mode Operasi di Perakitan dan Penyesuaian**.
2. Putar pahat ke posisi yang diinginkan.
3. Setel sakelar pemilih mode (d) ke posisi penempaan saja.
4. Putar pahat sampai terkunci di posisinya.

### Memasukkan dan Melepaskan Aksesori SDS Plus® (gbr. 4)

Alat ini menggunakan aksesori SDS Plus® (lihat lampiran dalam gambar 4 untuk lintas bagian gagang bor SDS Plus®). Kami sarankan agar Anda hanya menggunakan aksesori profesional.

1. Bersihkan dan minyaki gagang bor.
2. Masukkan gagang bor ke dalam penahan alat/ lengan pengunci (g).
3. Tekan mata bor ke bawah dan putar perlahan sampai pas pada lubangnya.

4. Tarik mata bor untuk memeriksa apakah sudah terkunci benar. Fungsi penempaan memerlukan mata bor untuk dapat bergerak secara aksial beberapa sentimeter saat terkunci di penahan alat.
5. Untuk melepas mata bor, tarik penahan alat/ lengan pengunci (g) dan keluarkan mata bor.



**PERINGATAN:** Selalu kenakan sarung tangan saat mengganti aksesori. Komponen logam yang terbuka pada alat dan aksesori dapat menjadi sangat panas selama pengoperasian.

### Memasang Pegangan Samping (gbr. 1)

Pegangan samping (f) dapat dipasang agar sesuai dengan pengguna kidal dan normal.



**PERINGATAN:** Jangan menggunakan alat ini tanpa pegangan samping yang terpasang dengan benar.

1. Mengendurkan gagang samping.
2. **Untuk pengguna normal:** geser penjepit pegangan samping ke atas cincin di balik penahan alat, pegang dengan tangan kiri.  
**Untuk pengguna kidal:** geser penjepit pegangan samping ke atas cincin di balik penahan alat, pegang dengan tangan kanan.
3. Putar pegangan samping ke posisi yang diinginkan, lalu kencangkan pegangan.

### Mengatur Kedalaman Pengeboran (gbr. 4)

#### KHUSUS D25413, D25414, D25415

1. Masukkan mata bor yang diinginkan seperti yang dijelaskan di atas.
2. Tekan penjepit penghenti kedalaman (k) dan tekan terus.
3. Pasang batang penyesuai kedalaman (j) melalui lubang dalam penjepit penghenti kedalaman.
4. Atur kedalaman pengeboran seperti yang ditunjukkan.
5. Lepaskan penjepit penghenti kedalaman.

### Penggeser maju/mundur (gbr. 5)

1. Dorong penggeser maju/mundur (c) ke sisi kiri untuk rotasi maju (kanan). Lihat panah pada alat.
2. Dorong penggeser maju/mundur (c) ke sisi kanan untuk rotasi mundur (kiri).



**PERINGATAN:** Selalu tunggu sampai motor berhenti sepenuhnya sebelum mengubah arah rotasi.

## Memasang Adaptor Gagang dan Gagang (Dijual Terpisah)

1. Pasang gagang ke ujung adaptor gagang yang bergalur.
2. Masukkan gagang dan adaptor yang tersambung di alat sama seperti yang dilakukan pada mata bor SDS Plus® standar.
3. Untuk melepaskan gagang, lakukan seperti melepaskan mata bor SDS Plus®.



**PERINGATAN:** Jangan pernah menggunakan gagang standar dengan mode pengeboran tempa.

Tanyakan kepada dealer Anda untuk informasi selengkapnya seputar aksesoris yang sesuai.

## Mengganti Penahan Alat dengan Gagang (gbr. 6)

### KHUSUS D25414 DAN D25415

1. Putar batang pengunci (l) ke posisi buka dan lepaskan penahan alat/lengan pengunci (g).
2. Dorong gagang (m) ke kumparan dan putar batang pengunci ke posisi mengunci.
3. Untuk mengganti gagang dengan penahan alat, pertama-tama lepaskan gagang dengan cara yang sama seperti melepaskan penahan alat. Lalu, pasang penahan alat dengan cara yang sama seperti memasang gagang.



**PERINGATAN:** Jangan pernah menggunakan gagang standar dengan mode pengeboran tempa.

## Mengganti Penutup Debu (gbr. 1, 4)

Penutup debu (n) mencegah debu masuk ke dalam mekanisme. Segeralah ganti penutup debu yang sudah aus.

1. Tarik lengan pengunci penahan alat (g), lalu lepas penutup debu (n).
2. Pasang penutup debu yang baru.
3. Lepaskan lengan pengunci penahan alat.

## PENGOPERASIAN

### Petunjuk Penggunaan



**PERINGATAN:** Selalu patuhi semua petunjuk keselamatan dan peraturan yang berlaku.



**PERINGATAN:** Untuk mengurangi risiko cedera, matikan unit, lalu

lepaskan sambungan mesin dari sumber listrik sebelum memasang dan melepaskan aksesoris, sebelum menyatel maupun mengubah pengaturan, atau saat melakukan perbaikan. Pastikan sakelar pemacu dalam posisi OFF. Perkakas yang mendadak menyala dapat mengakibatkan cedera.



### PERINGATAN:

- Sadari penempatan pipa dan kabel.
- Gunakan tekanan ringan pada perkakas (kurang-lebih 5 kg). Daya berlebihan tidak akan mempercepat pengeboran, namun justru menurunkan kinerja alat dan dapat memperpendek usia pakai alat.
- Jangan mengebor atau menekan terlalu dalam untuk mencegah kerusakan penutup debu.
- Selalu pegang alat dengan erat menggunakan kedua tangan dan pastikan kemantapan pijakan (gbr. 7). Selalu operasikan alat dengan pegangan samping sudah terpasang betul.

## Posisi Tangan yang Benar (gbr. 7)



**PERINGATAN:** Untuk mengurangi risiko cedera pribadi yang berat, **SELALU** gunakan posisi tangan yang tepat sesuai petunjuk gambar.



**PERINGATAN:** Untuk mengurangi risiko cedera pribadi yang berat, **SELALU** pegang dengan erat untuk mengantisipasi reaksi mendadak.

Posisi tangan yang benar berarti satu tangan pada pegangan samping (f) dan tangan lainnya pada pegangan utama (b).

## Kopling Kelebihan Beban

Jika mata bor macet atau terjebak, gerakan kumparan bor terhambat oleh kopling kelebihan beban. Karena daya yang diakibatkannya, selalu pegang mesin erat-erat dengan dua tangan dan berdiri dengan mantap.

## Menghidupkan dan Mematikan (gbr. 1)

1. Untuk menjalankan alat, tekan sakelar kecepatan variabel (a). Tekanan yang diberikan pada sakelar kecepatan variabel menentukan kecepatan alat.
2. Untuk menghentikan alat, lepas sakelar.
3. Untuk mengunci alat dalam posisi mati, atur penggeser maju/mundur (c) ke posisi tengah.



## Pengeboran tempa (gbr. 1)

### MENGEBOR DENGAN MATA BOR PADAT

1. Setel sakelar pemilih mode (d) ke posisi pengeboran tempa. Baca **Memilih Mode Operasi** di **Perakitan dan Penyesuaian**.

2. Masukkan mata bor yang sesuai.

**CATATAN:** Untuk hasil terbaik, gunakan mata bor berujung karbit yang bermutu tinggi.

3. Sesuaikan pegangan samping (f) sesuai kebutuhan.
4. Jika perlu, setel kedalaman pengeboran.
5. Tandai titik yang akan dilubangi dengan bor.
6. Tempatkan mata bor pada titik tersebut dan nyalakan alat.
7. Selalu matikan alat saat pekerjaan telah selesai dan sebelum melepaskan kabel listriknya.

## Mengebor dengan Mata Bor (gbr. 1, 3)

1. Setel pemilih mode (d) ke posisi pengeboran tempa. Baca **Memilih Mode Operasi** di **Perakitan dan Penyesuaian**.
2. Sesuaikan pegangan samping (f) sesuai kebutuhan.
3. Masukkan mata bor inti yang sesuai.
4. Pasang bor senter ke mata bor inti.
5. Tempatkan bor senter pada titik, lalu tekan sakelar kecepatan variabel (a). Bor sampai inti bor menembus beton sekitar 1 cm.
6. Hentikan pengeboran dan lepaskan bor senter tersebut. Tempatkan kembali mata bor inti ke dalam lubang dan lanjutkan pengeboran.
7. Ketika melakukan pengeboran melalui struktur yang lebih tebal dari kedalaman mata bor inti, hancurkan silinder putar beton atau inti di dalam mata bor bit secara berkala. Untuk menghindari penghancuran yang tidak diinginkan pada beton di sekitar lubang, pertama-tama bor lubang dengan diameter pusat, lalu bor struktur sepenuhnya. Lalu bor lubang yang keras secara sebagian dari tiap sisi.
8. Selalu matikan alat saat pekerjaan telah selesai dan sebelum melepaskan kabel listriknya.

## Pengeboran Putar (gbr. 3)

### KHUSUS D25413, D25414, D25415

1. Setel sakelar pemilih mode (d) ke posisi pengeboran putar. Baca **Memilih Mode Operasi** di **Perakitan dan Penyesuaian**.
2. Pasang adaptor gagang/rakitan gagang.

3. Lakukan seperti yang dijelaskan untuk pengeboran tempa.



**PERINGATAN:** Jangan pernah menggunakan gagang standar dengan mode pengeboran tempa.

## Pengobengan (gbr. 1, 3)

### KHUSUS D25413, D25414, D25415

1. Setel sakelar pemilih mode (d) ke posisi pengeboran putar. Baca **Memilih Mode Operasi** di **Perakitan dan Penyesuaian**.
2. Pilih arah rotasi.
3. Masukkan adaptor pengobengan SDS Plus® khusus untuk digunakan dengan mata obeng segi-enam.
4. Masukkan mata obeng yang sesuai. Saat mengobeng sekrup bergalur tunggal, selalu gunakan mata obeng dengan ujung pipih.
5. Tekan perlahan sakelar kecepatan variabel (a) untuk mencegah rusaknya ujung sekrup. Dalam rotasi mundur (LH), kecepatan alat secara otomatis dikurangi untuk memudahkan pelepasan sekrup.
6. Bila sekrup sama tinggi dengan bahan kerja, lepaskan sakelar kecepatan variabel untuk menghindarkan masuknya kepala sekrup ke dalam bahan kerja.

## Memotong dan Memahat (gbr. 1, 3)

1. Setel sakelar pemilih mode (d) ke posisi penempaan saja. Baca **Memilih Mode Operasi** di **Perakitan dan Penyesuaian**.
2. Masukkan pahat yang sesuai dan putar dengan tangan untuk mengunci ke salah satu dari 12 posisi.
3. Sesuaikan pegangan samping (f) sesuai kebutuhan.
4. Nyalakan alat dan mulai bekerja.
5. Selalu matikan alat saat pekerjaan telah selesai dan sebelum melepaskan kabel listriknya.



### PERINGATAN:

- Jangan gunakan alat ini untuk mencampur atau memompa cairan yang mudah terbakar atau meledak (bensin, alkohol, dll.).
- Jangan mencampur atau mengaduk cairan yang mudah terbakar menurut label.



## PEMELIHARAAN

Perkakas listrik DEWALT Anda telah dirancang untuk penggunaan jangka panjang dengan pemeliharaan yang minimal. Kelanjutan hasil pengoperasian yang memuaskan tergantung pada pemeliharaan alat yang benar serta pembersihan yang teratur.



**PERINGATAN:** Untuk mengurangi risiko cedera, matikan unit dan lepaskan mesin dari sumber listrik sebelum memasan dan melepaskan aksesoris, sebelum menyesuaikan atau mengubah pengaturan, maupun saat melakukan perbaikan. Pastikan sakelar pemacu dalam posisi OFF. Perkakas yang mendadak menyala dapat mengakibatkan cedera.

## Sikat Motor

DEWALT menggunakan sistem sikat canggi yang menghentikan bor secara otomatis ketika sikat aus. Ini mencegah kerusakan serius pada mesin. Rakitan sikat yang baru tersedia di pusat servis resmi DEWALT. Selalu gunakan komponen pengganti yang sama persis.



## Pelumas

Alat listrik Anda tidak membutuhkan pelumas tambahan.



## Pembersihan



**PERINGATAN:** Tiup kotoran dan debu dari wadah induk dengan udara kering setiap kali kotoran tampak menumpuk di dalam dan di sekitar ventilasi udara. Gunakan pelindung mata yang sesuai dan masker debu yang sesuai bilamana mengerjakan prosedur ini.



**PERINGATAN:** Jangan pernah gunakan larutan atau zat kimia keras untuk membersihkan komponen-komponen non-logam dari alat ini. Zat-zat kimia tersebut dapat merapuhkan material komponen-komponen ini. Gunakan kain yang dilembapkan dengan air dan sabun yang lembut. Jangan sampai bagian dalam alat termasuk air; jangan pernah rendam komponen alat dalam cairan.

## Aksesoris Opsional



**PERINGATAN:** Karena banyak aksesoris, selain dari yang disediakan oleh DEWALT, belum pernah diujikan pada produk ini, maka menggunakan aksesoris semacam itu pada perkakas ini bisa saja berbahaya. Untuk mengurangi risiko cedera, gunakan hanya aksesoris DEWALT yang disarankan dengan produk ini.

Berbagai tipe mata bor dan alat pahat SDS Plus® tersedia sebagai pilihan.

Tanyakan kepada dealer Anda untuk informasi selengkapnya seputar aksesoris yang sesuai.

## Melindungi Lingkungan



Pengumpulan terpisah. Produk ini tidak boleh dibuang bersama limbah rumah tangga biasa.



Apabila suatu hari produk DEWALT Anda perlu diganti atau sudah tidak Anda gunakan lagi, jangan buang produk tersebut bersama sampah rumah tangga. Pisahkan pengumpulan produk ini.



Pisahkan pengumpulan produk dan kemasan bekas agar bahan-bahannya dapat didaur ulang dan digunakan lagi. Penggunaan kembali bahan yang didaur ulang akan membantu mencegah pencemaran lingkungan serta mengurangi kebutuhan akan bahan baku.

Undang-undang setempat mungkin memfasilitasi pengumpulan produk-produk kelistrikan terpisah dari sampah rumah tangga, di tempat pembuangan sampah kota atau oleh pedagang ritel pada saat Anda membeli produk baru.

DEWALT menyediakan fasilitas untuk mengumpulkan dan mendaur ulang produk-produk DEWALT yang telah mencapai akhir usia pakainya. Untuk memanfaatkan layanan ini, harap kembalikan produk Anda kepada agen reparasi resmi yang akan mengumpulkannya atas nama kami.

Anda dapat menemukan lokasi agen reparasi resmi terdekat dengan Anda dengan menghubungi kantor DEWALT setempat di alamat yang tercantum pada buku petunjuk ini. Alternatif lainnya, Anda dapat melihat daftar agen reparasi DEWALT resmi dan detail lengkap layanan purna jual serta kontak kami yang tersedia di Internet, di: [www.2helpU.com](http://www.2helpU.com).

# MÁY KHOAN BÚA CÔNG SUẤT CAO D25413, D25414, D25415, D25430

## Xin chúc mừng!

Bạn đã chọn thiết bị của DEWALT. Qua nhiều năm kinh nghiệm, những đổi mới và phát triển sản phẩm một cách toàn diện đã khiến DEWALT trở thành một trong những đối tác tin cậy nhất đối với người sử dụng dụng cụ điện cầm tay chuyên nghiệp.

## Thông số kỹ thuật

		D25413	D25414	D25415	D25430
Điện áp	V	220-240	220-240	220-240	220-240
Công suất đầu vào	W	1000	1000	1000	1000
Tốc độ không tải	phút <sup>-1</sup>	0–820	0–820	0–820	–
Lần/phút	bpm	0–4700	0–4700	0–4700	0–4700
Lực đập					
Khoan búa	J	4.9	4.9	4.9	–
Đục	J	4.9	4.9	4.9	4.9
Biên độ khoan tối đa với thép/gỗ/bê tông	mm	13/32/32	13/32/32	13/32/32	–
Số vị trí mũi đục		12	12	12	12
Công suất khoan lõi đối với gạch mềm	mm	100	100	100	–
Đầu gài mũi khoan		mũi đầu gài SDS Plus®	mũi đầu gài SDS Plus®	mũi đầu gài SDS Plus®	mũi đầu gài SDS Plus®
Đường kính vòng khóa	mm	60	60	60	60
Trọng lượng	kg	4.2	4.3	4.3	4.0

## Định nghĩa: Hướng dẫn an toàn

Các định nghĩa dưới đây mô tả mức độ nghiêm trọng của từng ký hiệu. Vui lòng đọc hướng dẫn sử dụng và chú ý đến các ký hiệu này.



**NGUY HIỂM:** Chỉ tình huống nguy hiểm sắp xảy ra mà, nếu không phòng tránh sẽ gây ra tử vong hoặc chấn thương nghiêm trọng.



**CẢNH BÁO:** Chỉ tình huống nguy hiểm tiềm ẩn mà, nếu không phòng tránh, có thể gây tử vong hoặc chấn thương nghiêm trọng.



**THẬN TRỌNG:** Chỉ tình huống nguy hiểm tiềm ẩn mà, nếu không phòng tránh, có thể gây chấn thương vừa hoặc nhẹ.

**LƯU Ý:** Chỉ một hoạt động không liên quan đến chấn thương cá nhân mà, nếu không phòng tránh, có thể gây hư hỏng tài sản.



Biểu thị nguy cơ bị điện giật.



Biểu thị nguy cơ hỏa hoạn.



**CẢNH BÁO:** Để giảm nguy cơ chấn thương, hãy đọc sổ tay hướng dẫn.

## Cảnh báo chung về an toàn đối với dụng cụ điện cầm tay



**CẢNH BÁO!** Hãy đọc tất cả các cảnh báo và hướng dẫn về an toàn. Việc không tuân theo các cảnh báo và hướng dẫn có thể dẫn đến điện giật, cháy nổ và/hoặc chấn thương nghiêm trọng.

### GIỮ LẠI TẤT CẢ CÁC CẢNH BÁO VÀ HƯỚNG DẪN ĐỂ THAM KHẢO VỀ SAU

Thuật ngữ “dụng cụ điện cầm tay” trong phần cảnh báo chỉ thiết bị chạy bằng điện nguồn (có dây điện) hoặc thiết bị chạy bằng pin (không có dây điện).

#### 1) AN TOÀN TẠI NƠI LÀM VIỆC

- Giữ cho nơi làm việc luôn sạch sẽ và đủ ánh sáng. Những khu vực bừa bộn hoặc thiếu ánh sáng dễ gây tai nạn.
- Không vận hành dụng cụ điện cầm tay trong các môi trường dễ cháy nổ, chẳng hạn như các môi trường có chất lỏng, khí ga hoặc bụi dễ cháy. Dụng cụ điện cầm tay tạo ra các tia lửa điện có thể gây cháy bụi hoặc bốc khói.
- Không cho trẻ em và những người quan sát lại gần khi đang vận hành dụng cụ điện cầm tay. Những lúc xao lãng có thể khiến bạn mất kiểm soát.

#### 2) AN TOÀN ĐIỆN

- Phích cắm của dụng cụ điện cầm tay phải vừa với ổ cắm. Tuyệt đối không sửa đổi phích cắm dưới bất kỳ hình thức nào. Không sử dụng các phích cắm chuyển đổi với những dụng cụ điện cầm tay có nối đất. Phích cắm nguyên trạng và ổ cắm phù hợp sẽ giảm nguy cơ bị điện giật.
- Tránh tiếp xúc với các bề mặt được nối đất như đường ống, lò sưởi, bếp nướng và tủ lạnh. Nguy cơ bị điện giật sẽ cao hơn nếu có thể bạn tiếp xúc trực tiếp với đất.
- Không để các dụng cụ điện cầm tay ngoài trời mưa hoặc ở nơi ẩm ướt. Nước vào trong dụng cụ điện cầm tay sẽ làm tăng nguy cơ bị điện giật.
- Không được dùng dây điện cho các mục đích khác. Tuyệt đối không sử dụng dây điện để mang, kéo hoặc rút phích cắm dụng cụ điện cầm tay. Để dây điện cách xa nguồn nhiệt, dầu mỡ, các cạnh sắc hoặc các bộ phận

chuyển động. Dây điện bị hỏng hoặc bị vướng sẽ làm tăng nguy cơ bị điện giật.

- Khí vận hành dụng cụ điện cầm tay ngoài trời, hãy sử dụng dây nối dài phù hợp để sử dụng ngoài trời. Sử dụng dây điện phù hợp để sử dụng ngoài trời sẽ giảm nguy cơ bị điện giật.
- Nếu bắt buộc phải vận hành dụng cụ điện cầm tay ở nơi ẩm ướt, hãy sử dụng nguồn được bảo vệ bởi thiết bị ngắt mạch tự động (RCD). Sử dụng RCD giúp giảm nguy cơ bị điện giật.

#### 3) AN TOÀN CÁ NHÂN

- Hãy tập trung, chú ý vào những gì bạn đang làm và tỉnh táo khi vận hành dụng cụ điện cầm tay. Không sử dụng dụng cụ điện cầm tay khi bạn đang mệt hoặc chịu ảnh hưởng của rượu bia, ma túy hoặc chất kích thích. Chỉ một khoảnh khắc mất tập trung trong khi vận hành dụng cụ điện cầm tay cũng có thể dẫn đến chấn thương cá nhân nghiêm trọng.
- Sử dụng thiết bị bảo hộ cá nhân. Luôn đeo kính bảo hộ. Thiết bị bảo hộ như mặt nạ chống bụi, giày chống trượt, mũ cứng hoặc thiết bị bảo vệ tai nếu được sử dụng ở những điều kiện phù hợp sẽ giúp giảm các chấn thương cá nhân.
- Tránh vô tình bật dụng cụ. Đảm bảo rằng công tắc ở vị trí tắt trước khi nối với nguồn điện và/hoặc pin, khi cầm lên hoặc mang dụng cụ. Việc cầm dụng cụ điện cầm tay khi ngón tay đặt vào công tắc hoặc sạc pin cho dụng cụ điện cầm tay khi công tắc đang bật có thể gây tai nạn.
- Hãy tháo điều khóa điều chỉnh hoặc cờ lê trước khi bật dụng cụ điện cầm tay. Việc không tháo cờ lê hoặc khóa điều chỉnh ra khỏi dụng cụ điện cầm tay có thể gây ra chấn thương cá nhân.
- Không được với tay. Hãy đứng ở tư thế thích hợp và luôn giữ thăng bằng. Điều đó giúp kiểm soát dụng cụ điện cầm tay tốt hơn trong các tình huống không thể lường trước.
- Mặc quần áo phù hợp. Không mặc quần áo rộng hoặc đeo đồ trang sức. Giữ cho tóc, quần áo và găng tay tránh xa các bộ phận chuyển động. Quần áo rộng, đồ trang sức hoặc tóc dài có thể bị vướng vào các bộ phận chuyển động.
- Nếu các thiết bị được cung cấp để nối các phương tiện hút và gom bụi, hãy đảm bảo những thiết bị này được nối và sử dụng đúng cách. Sử dụng thiết bị gom bụi có thể giảm các nguy cơ liên quan đến bụi.

**4) SỬ DỤNG VÀ BẢO QUẢN DỤNG CỤ ĐIỆN CẦM TAY**

- a) *Sử dụng dụng cụ điện cầm tay phù hợp. Sử dụng dụng cụ điện cầm tay phù hợp với mục đích của bạn. Sử dụng đúng dụng cụ điện sẽ đem lại hiệu quả công việc tốt hơn và an toàn hơn theo đúng thiết kế.*
- b) *Không sử dụng dụng cụ điện cầm tay nếu công tắc không bật và tắt được. Mọi dụng cụ điện cầm tay không điều khiển được bằng công tắc đều rất nguy hiểm và cần phải được sửa chữa.*
- c) *Rút phích cắm dụng cụ điện cầm tay ra khỏi nguồn điện và/hoặc pin ra khỏi dụng cụ điện cầm tay trước khi thực hiện các điều chỉnh, thay phụ kiện hoặc bảo quản dụng cụ điện cầm tay. Các biện pháp an toàn phòng ngừa đó giúp giảm nguy cơ vô tình khởi động dụng cụ điện cầm tay.*
- d) *Bảo quản các dụng cụ điện cầm tay không sử dụng xa tầm tay trẻ em và không cho phép những người không quen với dụng cụ điện cầm tay hoặc những hướng dẫn này vận hành dụng cụ điện cầm tay. Dụng cụ điện cầm tay sẽ rất nguy hiểm khi được sử dụng bởi những người chưa được huấn luyện.*
- e) *Bảo trì dụng cụ điện cầm tay. Kiểm tra các bộ phận di chuyển xem có bị lắp lệch hoặc kẹt không, các bộ phận có bị vỡ không và bất kỳ tình trạng nào khác có thể ảnh hưởng đến việc vận hành dụng cụ điện cầm tay. Nếu dụng cụ điện cầm tay bị hỏng, hãy sửa chữa trước khi sử dụng. Rất nhiều tai nạn xảy ra do công tác bảo trì các dụng cụ điện kém.*
- f) *Giữ cho các dụng cụ cất luôn sắc và sạch sẽ. Các dụng cụ cất được bảo trì đúng cách với các cạnh sắc sẽ ít bị kẹt hơn và dễ điều khiển hơn.*
- g) *Sử dụng dụng cụ điện cầm tay, các phụ kiện và mũi khoan, v.v.theo các chỉ dẫn này, để ý đến các điều kiện làm việc và công việc cần thực hiện. Sử dụng dụng cụ điện cầm tay sai mục đích có thể gây nguy hiểm.*

**5) BẢO DƯỠNG**

- a) *Hãy để nhân viên bảo dưỡng có chuyên môn tiến hành bảo dưỡng dụng cụ điện cầm tay cho bạn, chỉ sử dụng các phụ tùng thay thế chính hãng. Điều này giúp đảm bảo độ an toàn của dụng cụ điện cầm tay đó.*

**Các quy tắc an toàn cụ thể bổ sung cho máy khoan búa xoay**

- *Đeo thiết bị bảo vệ tai. Việc tiếp xúc với tiếng ồn có thể gây giảm thính lực.*
- *Sử dụng các tay cầm phụ kèm theo dụng cụ. Việc mất khả năng kiểm soát có thể gây chấn thương cá nhân.*
- *Chỉ cầm dụng cụ điện cầm tay ở phần bề mặt tay cầm cách điện, khi thực hiện thao tác nơi mà phụ kiện cắt hoặc mở cặp có thể tiếp xúc với hệ thống dây điện chìm hoặc dây điện của chính dụng cụ. Phụ kiện cắt tiếp xúc với dây "có điện" có thể khiến các bộ phận kim loại hở của dụng cụ điện cầm tay "nhiễm điện" và khiến người vận hành bị điện giật.*
- *Dùng kẹp hay áp dụng một biện pháp thực tế khác nhằm bảo đảm và cố định phối gia công trên bàn máy. Giữ phối bằng tay hay dựa vào người bạn đều làm cho phối không vững và có thể dẫn tới mất kiểm soát.*
- *Đeo kính bảo hộ hoặc các thiết bị bảo vệ mắt khác. Công tác khoan búa có thể làm bắn ra các mảnh vụn. Những mảnh vụn này có thể gây ra những tổn thương lâu dài cho mắt. Đeo mắt nạ chống bụi hoặc khẩu trang khi thực hiện những công việc phát sinh bụi. Cần đeo thiết bị bảo vệ tai cho hầu hết các hoạt động.*
- *Luôn luôn cầm chắc dụng cụ. Không cố vận hành dụng cụ khi không cầm được dụng cụ bằng cả hai tay. Luôn luôn sử dụng Tay cầm phụ. Vận hành dụng cụ này bằng một tay sẽ gây mất kiểm soát. Việc khoan qua hoặc gập vật liệu cứng như thanh cốt thép cũng có thể gây nguy hiểm. Vận chặt Tay cầm phụ trước khi sử dụng.*
- *Không vận hành dụng cụ này trong khoảng thời gian dài. Rung chấn từ hoạt động của khoan búa có thể nguy hiểm cho bàn tay và cánh tay bạn. Sử dụng găng tay để có thêm lớp bảo vệ và hạn chế tiếp xúc bằng cách thường xuyên nghỉ giải lao.*
- *Không tự điều chỉnh lại mũi khoan. Việc điều chỉnh lại mũi khoan nên được chuyên gia ủy quyền thực hiện. Mũi khoan được điều chỉnh lại không đúng cách có thể gây chấn thương.*
- *Đeo găng tay khi vận hành dụng cụ hoặc thay mũi khoan. Các bộ phận kim loại hở trên dụng cụ và mũi khoan có thể trở nên rất nóng trong quá trình vận hành. Mũi khoan nhỏ bị vỡ có thể gây ảnh hưởng xấu khi dùng tay không.*
- *Tuyệt đối không đặt dụng cụ xuống khi mũi khoan chưa dừng hẳn. Mũi khoan chuyển động có thể gây ra chấn thương.*

- Không dùng búa đập vào mũi khoan bị kẹt để tháo chúng ra. Các mảnh vụn kim loại hoặc mảnh vật liệu có thể văng ra và gây thương tích.
- Bạn có thể mài để làm sắc mũi khoan bị mòn ít.
- Bảo quản dây điện tránh xa mũi khoan đang quay. Không quấn dây điện xung quanh bất kỳ bộ phận nào của cơ thể. Dây điện quấn xung quanh mũi khoan đang quay có thể gây ra chấn thương cá nhân và mất kiểm soát.

### Các nguy cơ khác

Có thể xảy ra các nguy cơ sau khi dùng máy khoan búa xoay:

- chấn thương do chạm vào các bộ phận quay hoặc các bộ phận nóng của dụng cụ.

Kể cả việc áp dụng các quy tắc an toàn liên quan và dùng các thiết bị an toàn cũng không thể tránh được một số nguy cơ khác. Những nguy cơ này gồm:

- Suy giảm thính lực.
- Nguy cơ bị kẹp tay khi thay phụ kiện.
- Các mối nguy hại cho sức khỏe do hít phải bụi khi làm việc với bê tông và/hoặc tường.

### Ký hiệu trên dụng cụ

Trên dụng cụ có các ký hiệu sau:



Đọc kỹ hướng dẫn sử dụng trước khi dùng.



Đeo thiết bị bảo vệ tai.



Đeo kính bảo hộ.

### VỊ TRÍ MÃ NGÀY

Mã ngày, bao gồm cả năm sản xuất, được in trên vỏ máy.

Ví dụ:

2013 XX XX

Năm sản xuất

### Thiết bị trong hộp

Hộp sản phẩm bao gồm:

- 1 Máy khoan búa công suất cao
- 1 Tay cầm phụ

- 1 Thước đo độ sâu cần khoan (chỉ ở kiểu máy D25413, D25414, D25415)
- 1 Vali phụ kiện
- 1 Đầu kẹp không khóa (chỉ ở kiểu máy D25414 và D25415)
- 1 Hướng dẫn sử dụng
- Kiểm tra dụng cụ, các bộ phận hoặc phụ kiện xem có bị hư hỏng do quá trình vận chuyển hay không.
- Dành thời gian đọc kỹ và hiểu rõ hướng dẫn sử dụng trước khi vận hành máy.

### Mô tả (hình 1–4, 6)



**CẢNH BÁO:** Tuyệt đối không sửa đổi dụng cụ điện cầm tay hay bất kỳ bộ phận nào của dụng cụ. Việc sửa đổi có thể làm hỏng dụng cụ điện cầm tay hoặc gây chấn thương cá nhân.

- Công tắc điều chỉnh tốc độ
- Tay cầm chính
- Nút đảo chiều thuận/ngịch
- Công tắc chọn chế độ
- Khóa an toàn
- Tay cầm phụ
- Đầu gài mũi khoan SDS Plus
- Bộ phận giảm rung
- Đèn báo LED (chỉ ở kiểu máy D25415)
- Thước đo độ sâu cần khoan (chỉ ở kiểu máy D25413, D25414, D25415)
- Kẹp chặn độ sâu
- Vòng khóa
- Đầu kẹp (chỉ ở kiểu máy D25414 và D25415)
- Nắp chắn bụi
- Nút khóa công tắc (chỉ ở kiểu máy D25430)

### MỤC ĐÍCH SỬ DỤNG

#### D25413, D25414, D25415

Máy khoan búa công suất cao được thiết kế để khoan và khoan búa, bắt vít và đục nhẹ một cách chuyên nghiệp.

#### D25430

Máy đục này được thiết kế để đục, đục và phá chuyên nghiệp.

**KHÔNG** sử dụng máy ở những nơi ẩm ướt hoặc có chất lỏng hoặc khí dễ cháy.

Những máy khoan búa này là những dụng cụ điện cầm tay chuyên nghiệp.

**KHÔNG** để trẻ em tiếp xúc với dụng cụ. Cần phải có người giám sát khi dụng cụ này được vận hành bởi người chưa có kinh nghiệm.

- Không cho phép những người (bao gồm cả trẻ em) bị suy giảm năng lực thể chất, trí tuệ hoặc cảm giác, hay người thiếu kinh nghiệm, kiến thức hoặc kỹ năng sử dụng dụng cụ điện cầm tay này, trừ khi có sự giám sát của người chịu trách nhiệm về vấn đề an toàn của họ. Không để trẻ em một mình với sản phẩm này.

**GIẢM RUNG HIỆU QUẢ (HÌNH 1)**

Giảm rung hiệu quả trung hòa độ rung truyền ngược lại từ cấu va đập. Giảm độ rung ở cánh tay và bàn tay giúp bạn cảm thấy thoải mái hơn khi sử dụng dụng cụ lâu đồng thời kéo dài tuổi thọ của dụng cụ.

Để giảm rung hiệu quả nhất, đặt một tay vào tay cầm chính (b) và tay còn lại đặt vào Tay cầm phụ (f). Áp dụng đủ lực vì máy khoan búa đang ở gần giữa hành trình.

Máy khoan búa chỉ cần đủ lực để giảm rung hiệu quả. Tác dụng lực quá mạnh sẽ không làm cho dụng cụ khoan hoặc đục nhanh hơn và không thể giảm rung hiệu quả.

**KHỚP LY HỢP GIỚI HẠN MÔ MEN**



**CẢNH BÁO:** Người dùng phải luôn cầm chắc dụng cụ khi vận hành.

Khớp ly hợp giới hạn mô men làm giảm phản ứng mô men tối đa được truyền vào người vận hành trong trường hợp kẹt mũi khoan. Tính năng này cũng giúp động cơ bánh răng và động cơ điện không bị dừng đột ngột.

**LƯU Ý:** Luôn tắt dụng cụ trước khi thay đổi cài đặt kiểm soát mô men hoặc dụng cụ có thể bị hỏng.

**HỆ THỐNG CHỐNG XOAY D25415 (HÌNH 2)**

Hệ thống chống xoay giúp người dùng cảm thấy thoải mái và vận hành dụng cụ an toàn hơn nhờ có công nghệ chống xoay tích hợp có khả năng nhận biết người dùng có bị mất kiểm soát máy khoan búa hay không. Mô men và tốc độ sẽ được giảm ngay khi phát hiện mũi khoan bị kẹt. Tính năng này giúp tránh tình trạng dụng cụ tự xoay, giảm nguy cơ chấn thương cổ tay. Đèn báo LED màu đỏ (i) sẽ phát sáng khi thiết bị chống xoay được bật.

**An toàn điện**

Động cơ điện được thiết kế để sử dụng tại một mức điện áp duy nhất. Luôn kiểm tra nguồn điện vào xem có tương ứng với điện áp trên tấm định mức hay không.



Dụng cụ DEWALT của bạn đã được cách điện kép theo tiêu chuẩn EN 60745; do vậy không cần dây nối đất.



**CẢNH BÁO:** Các thiết bị 115 V phải được vận hành qua máy biến áp cách điện an toàn có lưới tiếp đất giữa cuộn sơ cấp và cuộn thứ cấp.

Nếu dây cấp điện bị hỏng, phải thay bằng dây mới được cung cấp riêng tại các cơ sở bảo dưỡng của DEWALT.

**Sử dụng dây nối dài**

Nếu cần dây điện nối dài, hãy sử dụng loại dây 3 lõi được chấp nhận là phù hợp với công suất đầu vào của dụng cụ này (xem phần **Thông số kỹ thuật**). Kích thước dây dẫn tối thiểu là 1,5 mm<sup>2</sup>; chiều dài tối đa là 30 m.

Khi sử dụng tang dây, luôn trải hết dây ra.

**LẮP RÁP VÀ ĐIỀU CHỈNH**



**CẢNH BÁO:** Để giảm nguy cơ chấn thương, hãy tắt dụng cụ và ngắt nguồn điện trước khi tiến hành tháo lắp phụ kiện, trước khi điều chỉnh hoặc thay đổi chế độ cài đặt hoặc khi tiến hành sửa chữa. Đảm bảo công tắc khởi động ở vị trí OFF. Việc bắt ngờ khởi động cũng có thể gây chấn thương.

**Chọn chế độ vận hành (hình 3)**

**D25413, D25414, D25415**

Có thể sử dụng dụng cụ ở các chế độ vận hành sau:



Khoan xoay: để bắt vít và khoan thép, gỗ và nhựa.



Khoan búa: để khoan bê tông và tường.

Chỉ đập búa: để đục và phá nhẹ. Ở chế độ này, dụng cụ cũng có thể được sử dụng như một đòn bẩy để tháo mũi khoan bị kẹt.



**D25430**

Có thể sử dụng dụng cụ ở các chế độ vận hành sau:



Chỉ đập búa: để đẽo, đục và phá nhẹ. Ở chế độ này, dụng cụ cũng có thể được sử dụng như một đòn bẩy để tháo mũi khoan bị kẹt.

1. Để chọn chế độ vận hành, ấn khóa an toàn (e) rồi xoay công tắc chọn chế độ (d) cho tới khi mũi tên chỉ vào ký hiệu của chế độ cần thiết.
2. Nhả khóa an toàn rồi kiểm tra xem công tắc chọn chế độ đã được khóa vào đúng vị trí hay chưa.



**CẢNH BÁO:** Không chọn chế độ vận hành khi dụng cụ đang chạy.

### Ký hiệu vị trí mũi đục (hình 3)

Mũi đục có thể được ký hiệu và khóa vào 12 vị trí khác nhau.

1. Xoay công tắc chọn chế độ (d) cho tới khi mũi tên chỉ vào ký hiệu chế độ khoan búa. Tham khảo **Chọn chế độ vận hành** trong **Lắp ráp và điều chỉnh**.
2. Xoay mũi đục vào vị trí cần thiết.
3. Xoay công tắc chọn chế độ (d) tới vị trí chỉ đập búa.
4. Vận mũi đục cho tới khi khóa vào vị trí.

### Lắp và tháo phụ kiện SDS Plus® (hình 4)

Dụng cụ này sử dụng phụ kiện SDS Plus® (tham khảo trang rời trong hình 4 để xem mặt cắt của chuôi khoan SDS Plus®). Chỉ nên sử dụng các phụ kiện chuyên nghiệp.

1. Vệ sinh và tra dầu vào chuôi khoan.
2. Lắp chuôi khoan vào Đầu gài mũi khoan SDS Plus (g).
3. Đẩy mũi khoan xuống rồi xoay nhẹ cho tới khi mũi khoan khớp vào các khe.
4. Kéo mũi khoan ra để kiểm tra xem đã khóa chặt chưa. Chức năng đập búa đôi hồi mũi khoan phải có khả năng di chuyển dọc theo trục và centimet khi bị khóa vào trong đầu giữ mũi khoan.
5. Để tháo mũi khoan, kéo Đầu gài mũi khoan SDS Plus (g) ra phía sau rồi kéo mũi khoan ra.



**CẢNH BÁO:** Luôn đeo găng tay khi bần thay phụ kiện. Các bộ phận kim loại hở

trên dụng cụ và phụ kiện có thể trở nên rất nóng trong quá trình vận hành.

### Lắp tay cầm phụ (hình 1)

Tay cầm phụ (f) có thể được lắp để phù hợp với cả người dùng thuận tay trái và phải.



**CẢNH BÁO:** Không sử dụng dụng cụ khi chưa lắp Tay cầm phụ đúng cách.

1. Vận lồng tay cầm phụ.
2. **Đối với người dùng thuận tay phải:** trượt móc Tay cầm phụ qua vòng khóa phía sau Đầu gài mũi khoan SDS Plus, cầm ở bên trái.
3. **Đối với người dùng thuận tay trái:** trượt móc tay cầm phụ qua vòng khóa phía sau đầu giữ mũi khoan, cầm ở bên phải.
4. Xoay tay cầm phụ vào vị trí mong muốn rồi vận chặt tay cầm.

### Điều chỉnh độ sâu khoan (hình 4)

CHỈ Ở KIỂU MÁY D25413, D25414, D25415

1. Lắp mũi khoan cần thiết như được mô tả ở trên.
2. Ấn kẹp chặn độ sâu (k) và duy trì trạng thái này.
3. Lắp thước đo độ sâu cần khoan (j) qua lỗ trên kẹp chặn độ sâu.
4. Điều chỉnh độ sâu khoan như được mô tả trong hình.
5. Nhả kẹp chặn độ sâu.

### Nút đảo chiều thuận/ngịch (hình 5)

1. Đẩy nút đảo chiều thuận/ngịch (c) sang bên trái để quay theo chiều thuận (bên phải). Xem mũi tên trên dụng cụ.
2. Đẩy nút đảo chiều thuận/ngịch (c) sang bên phải để quay theo chiều nghịch (bên trái).



**CẢNH BÁO:** Luôn chờ tới khi động cơ dừng hẳn trước khi thay đổi chiều quay.

### Lắp bộ phận nối đầu kẹp và đầu kẹp (Được bán riêng)

1. Vận đầu kẹp vào đầu có ren của bộ phận nối đầu kẹp.
2. Lắp đầu kẹp và bộ phận nối đầu kẹp đã lắp vào dụng cụ theo cách lắp mũi khoan SDS Plus® chuẩn.

3. Để tháo đầu kẹp, thực hiện theo cách tháo mũi khoan SDS Plus® chuẩn.



**CẢNH BÁO:** Tuyệt đối không sử dụng các đầu kẹp chuẩn ở chế độ khoan búa.

Hỏi ý kiến đại lý bạn để biết thêm thông tin về các phụ kiện phù hợp.

## Thay thế Đầu gài mũi khoan SDS Plus bằng đầu kẹp (hình 6)

### CHỈ Ở KIỆU MÁY D25414 VÀ D25415

1. Xoay vòng khóa (l) vào vị trí mở khóa rồi kéo Đầu gài mũi khoan SDS Plus (g) ra.
2. Đẩy đầu kẹp (m) vào trục máy, sau đó xoay vòng khóa vào vị trí khóa.
3. Để thay thế đầu kẹp bằng Đầu gài mũi khoan SDS Plus, trước tiên hãy tháo đầu kẹp giống như cách bạn vừa tháo đầu giữ mũi khoan. Sau đó, lắp Đầu gài mũi khoan SDS Plus vào giống như cách bạn vừa lắp đầu kẹp.



**CẢNH BÁO:** Tuyệt đối không sử dụng các đầu kẹp chuẩn ở chế độ khoan búa.

## Thay thế nắp chắn bụi (hình 1, 4)

Nắp chắn bụi (n) ngăn bụi bay vào bên trong dụng cụ. Thay nắp chắn bụi đã mòn ngay lập tức.

1. Kéo Đầu gài mũi khoan SDS Plus (g) rồi kéo nắp chắn bụi (n) ra.
2. Lắp nắp chắn bụi mới.
3. Nhả Đầu gài mũi khoan SDS Plus.

## VẬN HÀNH

### Hướng dẫn sử dụng



**CẢNH BÁO:** Luôn chú ý các hướng dẫn và quy định hiện hành về an toàn.



**CẢNH BÁO:** Để giảm nguy cơ chấn thương, hãy tắt dụng cụ và ngắt nguồn điện trước khi tiến hành tháo lắp phụ kiện, trước khi điều chỉnh hoặc thay đổi chế độ cài đặt hoặc khi tiến hành sửa chữa. Đảm bảo công tắc khởi động ở vị trí OFF. Việc bất ngờ khởi động cũng có thể gây chấn thương.



**CẢNH BÁO:**

- Nắm rõ vị trí đường ống và đường dây.
- Chỉ tác dụng lực nhẹ lên dụng cụ (khoảng 5 kg). Lực quá mạnh không

giúp khoan nhanh hơn mà làm giảm hiệu suất của dụng cụ cũng như có thể làm giảm tuổi thọ của dụng cụ.

- Không khoan hoặc đâm xuyên quá sâu để tránh hư hỏng nắp chắn bụi.
- Luôn cầm chắc dụng cụ bằng cả hai tay và đảm bảo đứng ở tư thế chắc chắn (hình 7). Chỉ vận hành dụng cụ khi đã lắp Tay cầm phụ đúng cách.

### Vị trí tay phù hợp (hình 7)



**CẢNH BÁO:** Để giảm nguy cơ chấn thương cá nhân nghiêm trọng, **LUÔN** để tay ở vị trí phù hợp như được mô tả trong hình vẽ.



**CẢNH BÁO:** Để giảm nguy cơ chấn thương cá nhân nghiêm trọng, **LUÔN** giữ chặt tay để tránh trường hợp bị giật lại đột ngột.

Vị trí tay phù hợp yêu cầu một tay đặt lên Tay cầm phụ (f), còn tay kia đặt lên tay cầm chính (b).

### Khớp ly hợp quá tải

Nếu khoan bị kẹt hoặc mắc, dẫn động cho trục khoan bị gián đoạn do khớp ly hợp quá tải. Do quá trình vận hành sinh ra lực, luôn cầm chắc máy bằng cả hai tay và đứng ở tư thế vững chắc.

### Bật và tắt (hình 1)

1. Ấn công tắc điều tốc (a) để vận hành dụng cụ. Lực tác dụng lên công tắc điều tốc quyết định tốc độ của dụng cụ.
2. Để dừng dụng cụ, nhả công tắc điều tốc.
3. Để khóa dụng cụ vào vị trí tắt, di chuyển nút đảo chiều thuận/ngược (c) tới vị trí chính giữa.

### Khoan búa (hình 1)

#### KHOAN BẰNG MŨI KHOAN CỨNG

1. Xoay công tắc chọn chế độ (d) tới vị trí khoan búa. Tham khảo **Chọn chế độ vận hành** trong **Lắp ráp và điều chỉnh**.
2. Lắp mũi khoan phù hợp.

**LƯU Ý:** Để đạt được hiệu quả cao nhất, hãy sử dụng mũi khoan có đầu bằng cacbua chất lượng cao.

3. Điều chỉnh tay cầm phụ (f) nếu cần.
4. Nếu cần, điều chỉnh độ sâu khoan.
5. Vạch điểm cần khoan lỗ.



- Đặt mũi khoan vào điểm cần khoan rồi bật dụng cụ.
- Luôn tắt dụng cụ khi kết thúc công việc và trước khi rút nguồn.

## Khoan bằng mũi khoan lõi (hình 1, 3)

- Chỉnh công tắc chọn chế độ (d) vào vị trí khoan búa. Tham khảo **Chọn chế độ vận hành** trong **Lắp ráp và điều chỉnh**.
- Điều chỉnh tay cầm phụ (f) nếu cần.
- Lắp mũi khoan lõi phù hợp.
- Lắp khoan định tâm vào mũi khoan lõi.
- Đặt khoan định tâm lên điểm cần khoan rồi ấn công tắc điều tốc (a). Khoan cho tới khi lõi xuyên vào bê tông khoảng 1 cm.
- Dừng khoan, sau đó tháo khoan định tâm. Đút mũi khoan lõi vào lỗ và tiếp tục khoan.
- Khi khoan xuyên qua cấu trúc dày hơn độ sâu của mũi khoan lõi, thường xuyên rút trụ tròn bê tông hoặc lõi bên trong mũi khoan ra. Để tránh vô tình làm vỡ bê tông quanh lỗ khoan, trước tiên hãy khoan lỗ có đường kính bằng với đường kính mũi khoan định tâm xuyên qua cấu trúc. Sau đó, khoan nửa lỗ lõi từ mỗi bên.
- Luôn tắt dụng cụ khi kết thúc công việc và trước khi rút nguồn.

## Khoan xoay (hình 3)

### CHỈ Ở KIỂU MÁY D25413, D25414, D25415

- Xoay công tắc chọn chế độ (d) tới vị trí khoan xoay. Tham khảo **Chọn chế độ vận hành** trong **Lắp ráp và điều chỉnh**.
- Lắp bộ phận nối đầu kẹp/cụm đầu kẹp.
- Thực hiện theo cách lắp để khoan búa.



**CẢNH BÁO:** Tuyệt đối không sử dụng các đầu kẹp chuẩn ở chế độ khoan búa.

## Bắt vít (hình 1, 3)

### CHỈ Ở KIỂU MÁY D25413, D25414, D25415

- Xoay công tắc chọn chế độ (d) tới vị trí khoan xoay. Tham khảo **Chọn chế độ vận hành** trong **Lắp ráp và điều chỉnh**.
- Chọn hướng quay.
- Lắp bộ phận nối mũi bắt vít chuyên dụng SDS Plus® để sử dụng mũi bắt vít lục giác.

- Lắp mũi bắt vít phù hợp. Khi vận vít đầu đầu xẻ rãnh, luôn sử dụng mũi bắt vít có khớp nối định hướng.
- Án nhẹ công tắc điều tốc (a) để tránh làm hỏng đầu vít. Khi quay theo chiều nghịch (bên trái), tốc độ của dụng cụ tự động giảm để tháo vít một cách dễ dàng.
- Khi vít được bắt hết vào phiê gia công, nhả công tắc điều tốc để ngăn đầu vít xuyên vào trong phiê gia công.

## Đẽo và đục (hình 1, 3)

- Xoay công tắc chọn chế độ (d) tới vị trí chỉ đập búa. Tham khảo **Chọn chế độ vận hành** trong **Lắp ráp và điều chỉnh**.
- Lắp mũi đục phù hợp rồi dùng tay xoay mũi đục để khóa nó vào một trong 12 vị trí.
- Điều chỉnh tay cầm phụ (f) nếu cần.
- Bật dụng cụ và bắt đầu làm việc.
- Luôn tắt dụng cụ khi kết thúc công việc và trước khi rút nguồn.



### CẢNH BÁO:

• Không sử dụng dụng cụ này để trộn hoặc bơm các chất lỏng dễ cháy nổ (xăng, côn, v.v.).

• Không trộn hoặc khuấy chất lỏng dễ cháy được dán nhãn tương ứng.

## BẢO TRÌ

Dụng cụ điện cầm tay của DEWALT được thiết kế để vận hành trong thời gian dài và ít phải bảo trì nhất. Dụng cụ vận hành liên tục theo ý muốn tùy thuộc vào việc bảo quản dụng cụ đúng cách và vệ sinh thường xuyên.



**CẢNH BÁO:** Để giảm nguy cơ chấn thương, hãy tắt dụng cụ và ngắt nguồn điện trước khi tiến hành tháo lắp phụ kiện, trước khi điều chỉnh hoặc thay đổi chế độ cài đặt hoặc khi tiến hành sửa chữa. Đảm bảo công tắc khởi động ở vị trí OFF. Việc bắt ngờ khởi động cũng có thể gây chấn thương.

## Chổi than động cơ

DEWALT sử dụng hệ thống chổi than tiên tiến, có khả năng tự động dừng máy khoan khi chổi than bị mòn. Tính năng này giúp động cơ không bị hư hỏng nặng. Các chi tiết chổi than mới có bán tại các trung tâm

dịch vụ được ủy quyền của DEWALT. Luôn sử dụng phụ tùng thay thế cùng chủng loại.



## Tra dầu

Dụng cụ điện cầm tay này không cần tra thêm dầu.



## Vệ sinh



**CẢNH BÁO:** Thường xuyên thổi bụi bẩn khỏi vỏ dụng cụ khi thấy bám bụi xung quanh các khe thông gió. Đeo kính bảo hộ và mặt nạ chống bụi được phê duyệt khi thực hiện quy trình này.



**CẢNH BÁO:** Tuyệt đối không sử dụng các dung môi hoặc hóa chất mạnh để vệ sinh các bộ phận không làm bằng kim loại của dụng cụ. Các hóa chất này có thể làm tổn hại đến các nguyên vật liệu sử dụng trong các bộ phận này. Chỉ sử dụng khăn được làm ẩm bằng nước và xà phòng có tính tẩy nhẹ. Tuyệt đối không để chất lỏng lọt vào bên trong dụng cụ; không được ngâm các bộ phận của dụng cụ vào chất lỏng.

## Các phụ kiện tùy chọn



**CẢNH BÁO:** Do các phụ kiện, không phải các phụ kiện do DEWALT CUNG CẤP, chưa được kiểm nghiệm với sản phẩm này; nên việc sử dụng các phụ kiện đó với sản phẩm này có thể gây nguy hiểm. Để giảm nguy cơ chấn thương, chỉ được sử dụng phụ kiện do DEWALT khuyến nghị cho sản phẩm này.

Có nhiều tùy chọn loại mũi khoan và mũi đục SDS Plus® khác nhau.

Hỏi ý kiến đại lý bạn để biết thêm thông tin về các phụ kiện phù hợp.

## Bảo vệ môi trường



Thu gom riêng. Không được vứt bỏ sản phẩm này chung với rác thải gia đình thông thường.

Nếu sản phẩm DEWALT của bạn cần thay thế hoặc bạn không sử dụng nó trong tương lai nữa, đừng thái độ cùng với rác thải sinh hoạt. Sản phẩm này phải được thu gom riêng.



Thu gom riêng sản phẩm và bao bì đóng gói đã qua sử dụng sẽ cho phép tái chế và tái sử dụng vật liệu. Tái sử dụng vật liệu tái chế giúp ngăn chặn ô nhiễm môi trường và giảm nhu cầu đối với vật liệu thô.

Luật lệ địa phương có thể quy định việc thu gom riêng các sản phẩm điện gia dụng tại các bãi rác thải đô thị hoặc bởi những người bán lẻ khi bạn mua sản phẩm mới.

DEWALT đáp ứng nơi thu gom và tái chế các sản phẩm của DEWALT khi các sản phẩm này đã hết hạn sử dụng. Để sử dụng dịch vụ này, vui lòng trả lại sản phẩm cho đại lý sửa chữa được ủy quyền - nơi thay mặt công ty chúng tôi thu gom các sản phẩm này.

Bạn có thể kiểm tra vị trí của đại lý sửa chữa được ủy quyền gần nhất bằng cách liên hệ với văn phòng DEWALT tại nơi bạn sống theo địa chỉ cung cấp trong hướng dẫn sử dụng này. Ngoài ra, còn có danh sách các đại lý sửa chữa được ủy quyền của DEWALT và đầy đủ thông tin chi tiết về dịch vụ hậu mãi và các thông tin liên hệ tại: [www.2helpU.com](http://www.2helpU.com).

