

DEWALT®

www.DEWALT.com

D25951

English (*original instructions*)

5

Français (*traduction de la notice d'instructions originale*)

10

العربية: *مترجم عن التعليمات الأصلية*

15

Figure A

شکل
A

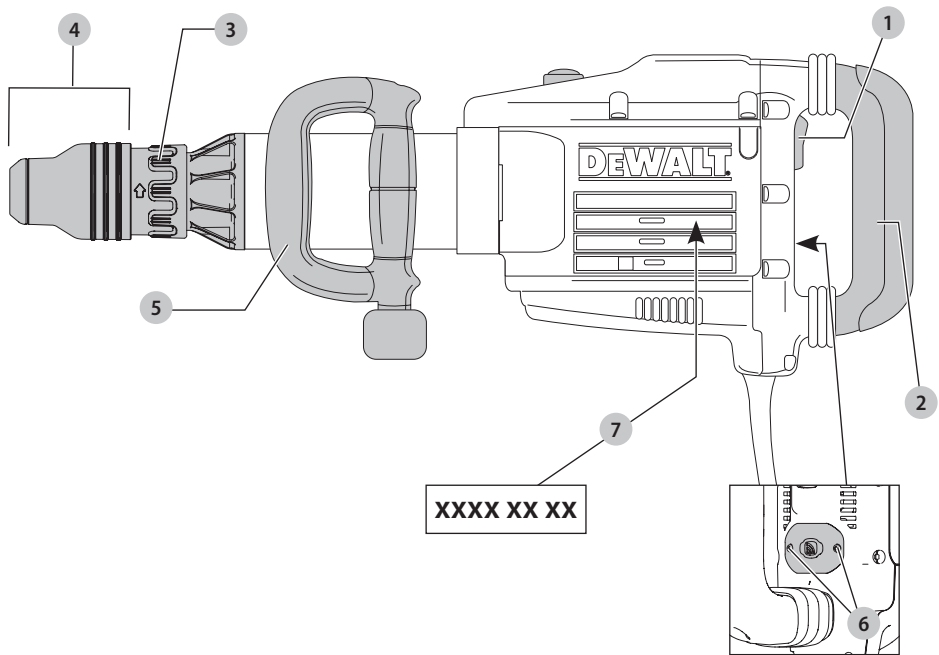


Figure B

شکل B

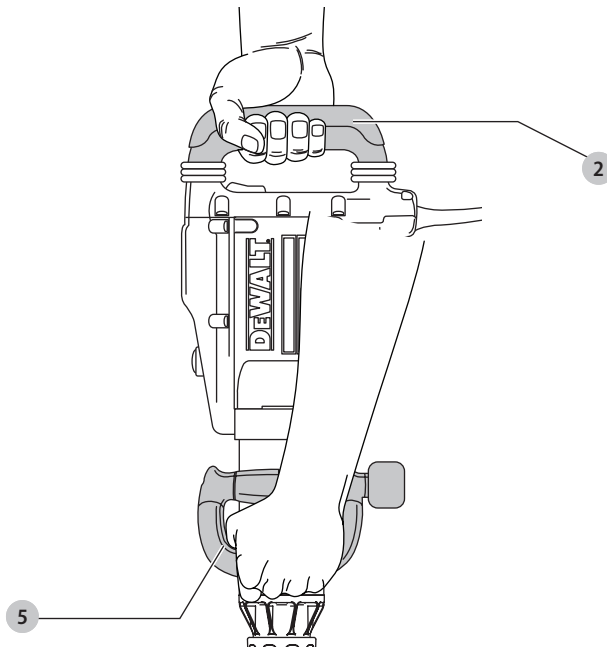


Figure C

شکل C

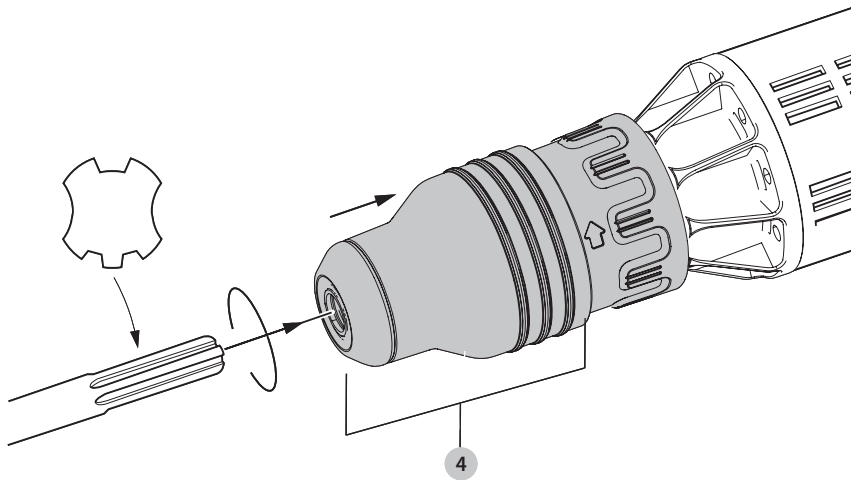


Figure D

شکل D

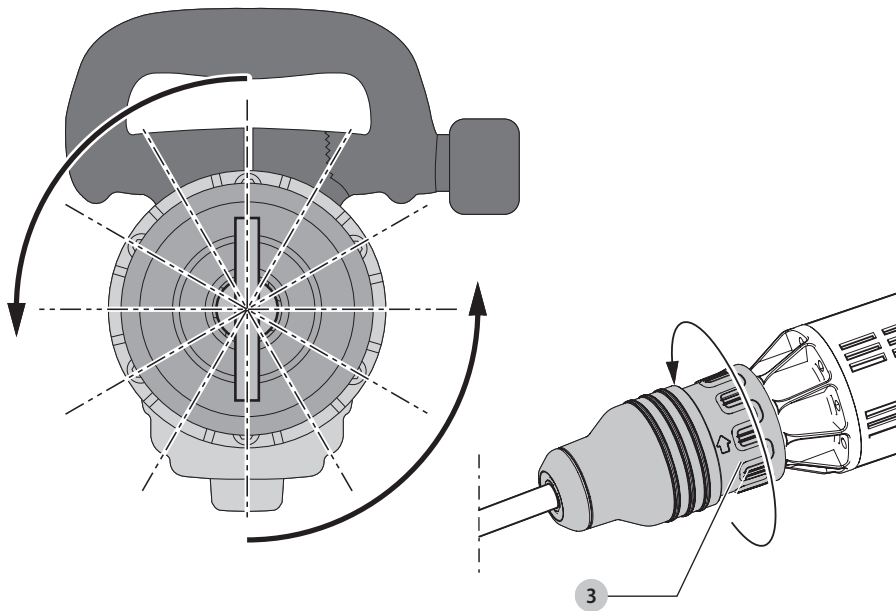


Figure E

شکل E

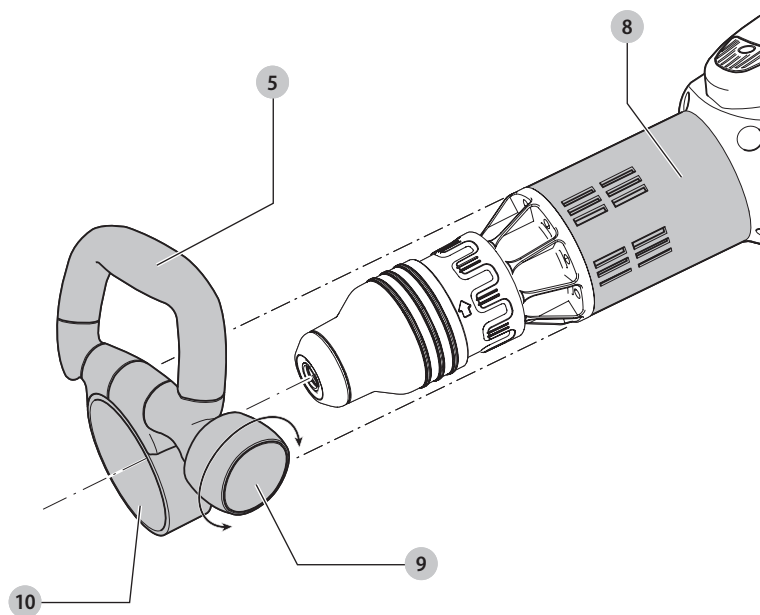
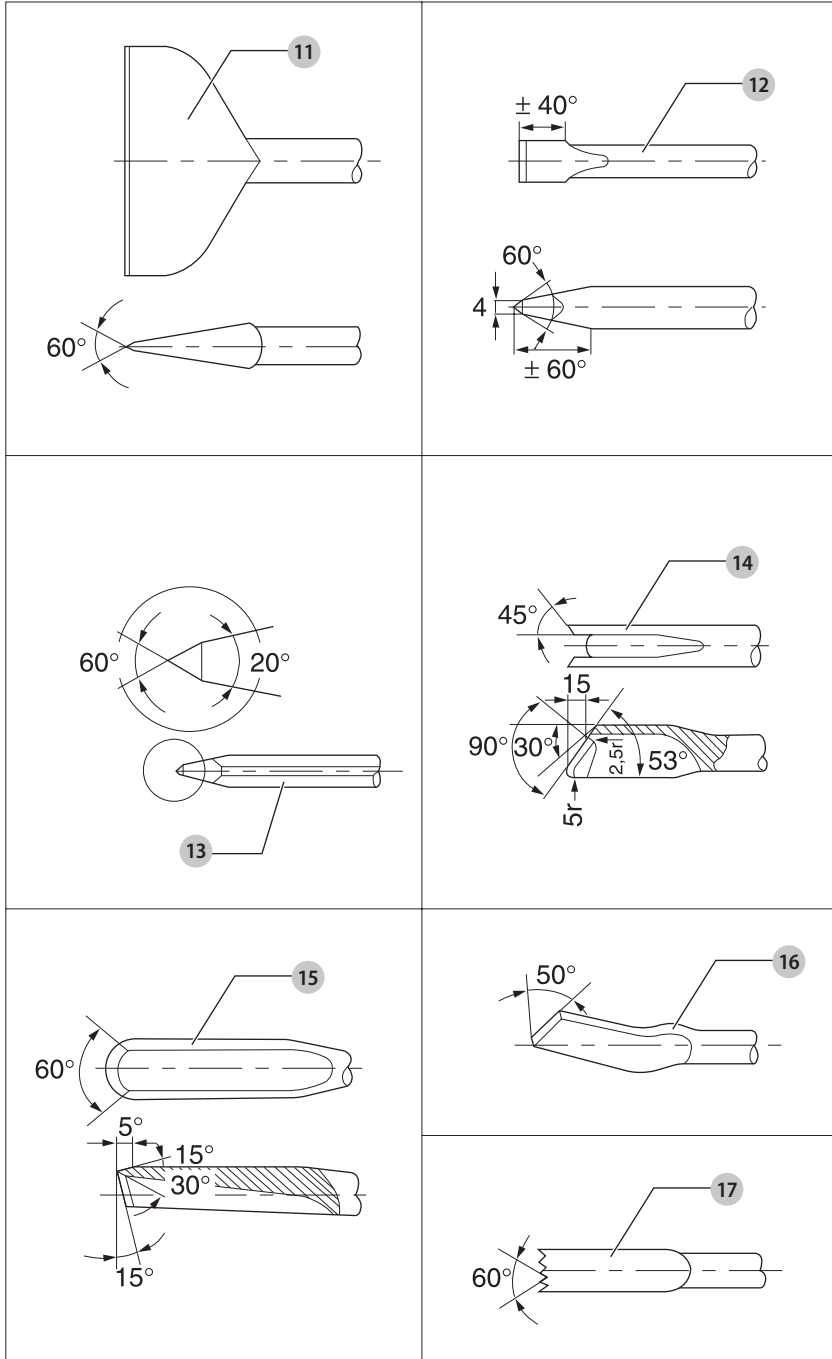


Figure F
شکل F



DEMOLITION HAMMER

D25951

Congratulations!

You have chosen a DeWALT tool. Years of experience, thorough product development and innovation make DeWALT one of the most reliable partners for professional power tool users.

Technical Data

		D25951
Voltage	V_{AC}	220–240
Type		1
Frequency	Hz	50/60
Power output	W	1600
Impact rate	min^{-1}	1620
Single impact energy (EPTA 05/2009)	J	24
Max. impact energy	J	30.1
Tool holder		SDS MAX
Chisel positions		12
Weight	kg	13.3

Definitions: Safety Guidelines

The definitions below describe the level of severity for each signal word. Please read the manual and pay attention to these symbols.



DANGER: Indicates an imminently hazardous situation which, if not avoided, **will** result in **death or serious injury**.



WARNING: Indicates a potentially hazardous situation which, if not avoided, **could** result in **death or serious injury**.



CAUTION: Indicates a potentially hazardous situation which, if not avoided, **may** result in **minor or moderate injury**.

NOTICE: Indicates a practice **not related to personal injury** which, if not avoided, **may** result in **property damage**.



Denotes risk of electric shock.



Denotes risk of fire.



WARNING: To reduce the risk of injury, read the instruction manual.

General Power Tool Safety Warnings



WARNING: Read all safety warnings and all instructions. Failure to follow the warnings and instructions may result in electric shock, fire and/or serious injury.

SAVE ALL WARNINGS AND INSTRUCTIONS FOR FUTURE REFERENCE

The term “power tool” in the warnings refers to your mains-operated (corded) power tool or battery-operated (cordless) power tool.

1) Work area safety

- Keep work area clean and well lit.** Cluttered or dark areas invite accidents.
- Do not operate power tools in explosive atmospheres, such as in the presence of flammable liquids, gases or dust.** Power tools create sparks which may ignite the dust or fumes.
- Keep children and bystanders away while operating a power tool.** Distractions can cause you to lose control.

2) Electrical safety

- Power tool plugs must match the outlet. Never modify the plug in any way. Do not use any adapter plugs with earthed (grounded) power tools.** Unmodified plugs and matching outlets will reduce risk of electric shock.
- Avoid body contact with earthed or grounded surfaces such as pipes, radiators, ranges and refrigerators.** There is an increased risk of electric shock if your body is earthed or grounded.
- Do not expose power tools to rain or wet conditions.** Water entering a power tool will increase the risk of electric shock.
- Do not abuse the cord. Never use the cord for carrying, pulling or unplugging the power tool. Keep cord away from heat, oil, sharp edges or moving parts.** Damaged or entangled cords increase the risk of electric shock.
- When operating a power tool outdoors, use an extension cord suitable for outdoor use.** Use of a cord suitable for outdoor use reduces the risk of electric shock.
- If operating a power tool in a damp location is unavoidable, use a residual current device (RCD) protected supply.** Use of an RCD reduces the risk of electric shock.

3) Personal safety

- Stay alert, watch what you are doing and use common sense when operating a power tool. Do not use a power tool while you are tired or under the influence of drugs, alcohol or medication.** A moment of inattention while operating power tools may result in serious personal injury.
- Use personal protective equipment. Always wear eye protection.** Protective equipment such as dust mask, non-skid safety shoes, hard hat, or hearing protection used for appropriate conditions will reduce personal injuries.
- Prevent unintentional starting. Ensure the switch is in the off position before connecting to power**

source and/or battery pack, picking up or carrying the tool. Carrying power tools with your finger on the switch or energising power tools that have the switch on invites accidents.

- d) **Remove any adjusting key or wrench before turning the power tool on.** A wrench or a key left attached to a rotating part of the power tool may result in personal injury.
- e) **Do not overreach. Keep proper footing and balance at all times.** This enables better control of the power tool in unexpected situations.
- f) **Dress properly. Do not wear loose clothing or jewellery. Keep your hair, clothing and gloves away from moving parts.** Loose clothes, jewellery or long hair can be caught in moving parts.
- g) **If devices are provided for the connection of dust extraction and collection facilities, ensure these are connected and properly used.** Use of dust collection can reduce dust-related hazards.

4) Power tool use and care

- a) **Do not force the power tool. Use the correct power tool for your application.** The correct power tool will do the job better and safer at the rate for which it was designed.
- b) **Do not use the power tool if the switch does not turn it on and off.** Any power tool that cannot be controlled with the switch is dangerous and must be repaired.
- c) **Disconnect the plug from the power source and/or the battery pack from the power tool before making any adjustments, changing accessories, or storing power tools.** Such preventive safety measures reduce the risk of starting the power tool accidentally.
- d) **Store idle power tools out of the reach of children and do not allow persons unfamiliar with the power tool or these instructions to operate the power tool.** Power tools are dangerous in the hands of untrained users.
- e) **Maintain power tools. Check for misalignment or binding of moving parts, breakage of parts and any other condition that may affect the power tool's operation. If damaged, have the power tool repaired before use.** Many accidents are caused by poorly maintained power tools.
- f) **Keep cutting tools sharp and clean.** Properly maintained cutting tools with sharp cutting edges are less likely to bind and are easier to control.
- g) **Use the power tool, accessories and tool bits etc., in accordance with these instructions taking into account the working conditions and the work to be performed.** Use of the power tool for operations different from those intended could result in a hazardous situation.

5) Service

- a) **Have your power tool serviced by a qualified repair person using only identical replacement parts.** This will ensure that the safety of the power tool is maintained.

Additional Safety Instructions for Demolition Hammers

- **Wear ear protectors.** Exposure to noise can cause hearing loss.
- **Use auxiliary handles supplied with the tool.** Loss of control can cause personal injury.
- **Hold power tools by insulated gripping surfaces when performing an operation where the cutting accessory may contact hidden wiring or its own cord.** Cutting accessory contacting a "live" wire may make exposed metal parts of the tool "live" and could give the operator an electric shock.
- **Be certain that the material being drilled does not conceal electric or gas service and that their locations have been verified with the utility companies.**
- **Keep a firm grip on the tool at all times.** Do not attempt to operate this tool without holding it with both hands. Operating this tool with one hand will result in loss of control. Breaking through or encountering hard materials such as re-bar may be hazardous as well. Tighten the side handle securely before use.
- **Ensure the chisel is secured in place before operating the tool.**
- **In cold-weather conditions or when the tool has not been used for a longer period of time, let the tool run with no load for several minutes before use.**
- **When working above ground level ensure the area below is clear.**
- **Do not touch the chisel or the parts close to the chisel immediately after operation, as they may be extremely hot and cause burns to the skin.**
- **Always direct the power cable to the rear, away from the chisel.**
- **Do not operate this tool for long periods of time.** Vibration caused by hammer action may be harmful to your hands and arms. Use gloves to provide extra cushion and limit exposure by taking frequent rest periods.



WARNING: We recommend the use of a residual current device with a residual current rating of 30mA or less.

Residual Risks

The following risks are inherent to the use of demolition hammers:

- Injuries caused by touching the hot parts of the tool.

In spite of the application of the relevant safety regulations and the implementation of safety devices, certain residual risks cannot be avoided. These are:

- Impairment of hearing.
- Risk of personal injury due to flying particles.
- Risk of burns due to accessories becoming hot during operation.
- Risk of personal injury due to prolonged use.

Electrical Safety

The electric motor has been designed for one voltage only. Always check that the power supply corresponds to the voltage on the rating plate.



Your DEWALT tool is double insulated in accordance with EN60745; therefore no earth wire is required.

If the supply cord is damaged, it must be replaced by a specially prepared cord available through the DEWALT service organisation.

Mains Plug Replacement (Middle East and Africa)

If a new mains plug needs to be fitted:

- Safely dispose of the old plug.
- Connect the brown lead to the live terminal in the plug.
- Connect the blue lead to the neutral terminal.



WARNING: No connection is to be made to the earth terminal.

Follow the fitting instructions supplied with good quality plugs. Recommended fuse: 13 A.

Using an Extension Cable

If an extension cable is required, use an approved 3-core extension cable suitable for the power input of this tool (see **Technical Data**). The minimum conductor size is 1.5 mm²; the maximum length is 30 m.

When using a cable reel, always unwind the cable completely.

Package Contents

The package contains:

- 1 Demolition hammer
- 1 Side handle
- 1 Pointed chisel
- 1 Kitbox
- 1 Instruction manual
- Check for damage to the tool, parts or accessories which may have occurred during transport.
- Take the time to thoroughly read and understand this manual prior to operation.

Markings on Tool

The following pictograms are shown on the tool:



Read instruction manual before use.



Wear ear protection.



Wear eye protection.

Date Code Position (Fig. A)

The date code **7**, which also includes the year of manufacture, is printed into the housing.

Example:

2018 XX XX
Year of Manufacture

Description (Fig. A)



WARNING: Never modify the power tool or any part of it. Damage or personal injury could result.

- 1 On/off switch
- 2 Main handle
- 3 Chisel position index collar
- 4 Tool holder/sleeve
- 5 Side handle
- 6 Tool tag mounting holes
- 7 Date code

Intended Use

Your heavy-duty demolition hammer is designed for heavy-duty demolition, chipping and chasing applications.

DO NOT use under wet conditions or in the presence of flammable liquids or gases.

Your heavy-duty demolition hammer is a professional power tool.

DO NOT let children come into contact with the tool.

Supervision is required when inexperienced operators use this tool.

- This product is not intended for use by persons (including children) suffering from diminished physical, sensory or mental abilities; lack of experience, knowledge or skills unless they are supervised by a person responsible for their safety. Children should never be left alone with this product.

Soft Start Feature

The soft start feature allows the impact rate to build up more slowly, thus preventing the chisel or point from "bouncing" around on the masonry when starting up.

Active Vibration Control

The active vibration control neutralises rebound vibration from the hammer mechanism. Lowering hand and arm vibration, it allows more comfortable use for longer periods of time and extends the life of the unit.

ASSEMBLY AND ADJUSTMENTS



WARNING: To reduce the risk of serious personal injury, turn tool off and disconnect tool from power source before making any adjustments or removing/installing attachments or accessories. An accidental start-up can cause injury.



WARNING: Always wear gloves when changing accessories. The exposed metal parts on the tool and accessory may become extremely hot during operation.

Inserting and Removing SDS MAX Accessories (Fig. C)

 **WARNING:** Do not apply lubricant to the machine.

This machine uses SDS MAX chisels (refer to the inset in Figure C for a cross-section of a chisel shank).

Only DEWALT recommended accessories should be used with this product.


1. Clean the chisel shank.
2. Insert the chisel shank into the tool holder/sleeve **4**. Press and turn the chisel slightly until the sleeve snaps into position.
3. Pull on the chisel to check if it is properly locked. The hammering function requires the chisel to be able to move axially several centimetres when locked in the tool holder.
4. To remove a chisel, pull back the tool holder/sleeve **4** and pull the chisel out of the tool holder.

Indexing the Chisel Position (Fig. D)

The chisel can be indexed and locked into 12 different positions.

1. Insert the chisel as described above.
2. Rotate the chisel position index collar **3** in the direction of the arrow until the chisel is in the desired position.

Fitting and Adjusting the Side Handle (Fig. E)

 **WARNING:** Always operate the machine with the side handle properly mounted.

The side handle **5** can be mounted on the front of the machine to suit both RH- and LH-users.

1. Unscrew the side handle clamp knob **9**.
2. Slide the side handle assembly onto the machine locating the steel ring **10** in the mounting area **8**. The correct position of the side handle is between head and middle of the tube.
3. Adjust the side handle **5** to the desired angle.
4. Slide and rotate the side handle to the desired position.
5. Lock the side handle in place by tightening the clamp knob **9**.


DEWALT Tool Tag Ready (Fig. A)


Optional Accessory

Your hammer comes with mounting holes **6** and fasteners for installing a DEWALT Tool Tag. You will need a T20 bit tip to install the tag. The DEWALT Tool Tag is designed for tracking and locating professional power tools, equipment, and machines using the DEWALT Tool Connect™ app. For proper installation of the DEWALT Tool Tag refer to the DEWALT Tool Tag manual.

OPERATION

Instructions for Use


 **WARNING:** Always observe the safety instructions and applicable regulations.


 **WARNING:** To reduce the risk of serious personal injury, turn tool off and disconnect tool from power source before making any adjustments or removing/installing attachments or accessories. An accidental start-up can cause injury.

 **WARNING:**

- Always observe the safety instructions and applicable regulations.
- Be aware of the location of pipework and wiring.
- Apply a pressure of approx. 20–30 kg to the tool. Excessive force does not speed up chiselling but decreases tool performance and may shorten tool life.

Proper Hand Position (Fig. B)

 **WARNING:** To reduce the risk of serious personal injury, ALWAYS use proper hand position as shown.

 **WARNING:** To reduce the risk of serious personal injury, ALWAYS hold securely in anticipation of a sudden reaction.

Proper hand position requires one hand on the side handle **5**, with the other hand on the main handle **2**.

Switching On and Off (Fig. A)

Switching on: set the On/off switch **1** to position 1.

Switching off: set the On/off switch **1** to position 0.

Demolition, Chasing and Channelling (Fig. A)


1. Select the appropriate chisel and clean.
2. Insert the chisel and check whether it is properly locked.
3. Fit and adjust the side handle **5** and make sure it is firmly tightened.
4. Hold the tool with both the main handle **2** and the side handle **5** and switch on. The tool now runs in continuous operation.
5. Always switch off the tool when work is finished and before unplugging.

Various types of chisels are available as an option.

Only DEWALT recommended accessories should be used with this product.

MAINTENANCE

Your DEWALT power tool has been designed to operate over a long period of time with a minimum of maintenance. Continuous satisfactory operation depends upon proper tool care and regular cleaning.

 **WARNING:** To reduce the risk of serious personal injury, turn tool off and disconnect tool from power source before making any adjustments or removing/installing attachments or accessories. An accidental start-up can cause injury.

This machine is not user-serviceable. Take the tool to an authorised DEWALT repair agent after approximately 100 hours of use. If problems occur before this time contact an authorised DEWALT repair agent.



Lubrication

Your power tool requires no additional lubrication.



Cleaning



WARNING: Blow dirt and dust out of the main housing with dry air as often as dirt is seen collecting in and around the air vents. Wear approved eye protection and approved dust mask when performing this procedure.



WARNING: Never use solvents or other harsh chemicals for cleaning the non-metallic parts of the tool. These chemicals may weaken the materials used in these parts. Use a cloth dampened only with water and mild soap. Never let any liquid get inside the tool; never immerse any part of the tool into a liquid.

Optional Accessories



WARNING: Since accessories, other than those offered by DeWALT, have not been tested with this product, use of such accessories with this tool could be hazardous. To reduce the risk of injury, only DeWALT recommended accessories should be used with this product.

Consult your dealer for further information on the appropriate accessories.

Accessory Maintenance (Fig. F)

Accessory maintenance at the right time guarantees optimal results in application and a long and efficient accessory life.

Grind the chisels on grinding discs. Refer to Figure F for the appropriate angles of the following chisels:

- 11 Spade-shaped chisel
- 12 Cold chisel
- 13 Pointed chisel
- 14 U-shaped chisel
- 15 Hollow chisel
- 16 Mortar chisel
- 17 Toothed chisel



WARNING: These chisels can be reground only a limited number of times. If in doubt, contact your dealer for recommendations.



WARNING: Ensure that the cutting edge does not show discolouration caused by too much pressure. This may impair the hardness of the accessory.

Protecting the Environment



Separate collection. Products and batteries marked with this symbol must not be disposed of with normal household waste.

Products and batteries contain materials that can be recovered or recycled reducing the demand for raw materials. Please recycle electrical products and batteries according to local provisions. Further information is available at www.2helpU.com.

PERFORATEUR-BURINEUR D25951

Félicitations !

Vous avez choisi un outil DEWALT. Des années d'expertise dans le développement et l'innovation de ses produits ont fait de DEWALT, le partenaire privilégié des utilisateurs professionnels d'outils électriques.

Fiche technique

		D25951
Tension	V _{ac}	220–240
Type		1
Fréquence	Hz	50/60
Puissance utile	W	1600
Cadence de frappe	min ⁻¹	1620
Force de frappe unique (EPTA 05/2009)	J	24
Max. énergie d'impact	J	30,1
Soporte de la herramienta		SDS MAX
Positions du burin		12
Poids	kg	13,3

Définitions : consignes de sécurité

Les définitions ci-dessous décrivent le niveau de gravité de chaque mot signalétique. Lisez le manuel de l'utilisateur et soyez attentif à ces symboles.



DANGER : indique une situation dangereuse imminente qui, si elle n'est pas évitée, **entraînera des blessures graves ou mortelles**.



AVERTISSEMENT : indique une situation dangereuse potentielle qui, si elle n'est pas évitée, pourrait entraîner **des blessures graves ou mortelles**.



ATTENTION : indique une situation dangereuse potentielle qui, si elle n'est pas évitée, pourrait entraîner **des blessures minimales ou modérées**.

AVIS : indique une pratique ne **posant aucun risque de dommages corporels**, mais qui par contre, si rien n'est fait pour l'éviter, **pourrait poser des risques de dommages matériels**.



Indique un risque d'électrocution.



Indique un risque d'incendie.



AVERTISSEMENT : afin de réduire le risque de blessure, lisez le manuel d'instruction.

Consignes de sécurité générales propres aux outils électriques



AVERTISSEMENT : lire toutes les directives et consignes de sécurité. Tout manquement aux directives et consignes ci-incluses comporte des risques

de décharges électriques, d'incendie et/ou de dommages corporels graves.

CONSERVER TOUTES CES DIRECTIVES ET CONSIGNES À TITRE DE RÉFÉRENCE

Le terme « outil électrique » mentionné dans les avertissements ci-après se rapporte aux outils alimentés sur secteur (avec fil) ou par piles (sans fil).

1) Sécurité – Aire de Travail

- Maintenir l'aire de travail propre et bien éclairée.** Les lieux sombres ou encombrés sont propices aux accidents.
- Ne pas utiliser un outil électrique dans un milieu déflagrant, comme en présence de liquides, gaz ou poussières inflammables.** Les outils électriques peuvent produire des étincelles qui pourraient enflammer toute émanation ou poussière ambiante.
- Maintenir à l'écart les enfants, ou toute autre personne, lors de l'utilisation d'un outil électrique.** Toute distraction pourrait faire perdre la maîtrise de l'appareil.

2) Sécurité – Électricité

- La fiche électrique de l'outil doit correspondre à la prise murale. Ne modifier la fiche en aucune façon. Ne pas utiliser de fiche d'adaptation avec un outil électrique mis à la terre (masse).** L'utilisation de fiches d'origine et de prises appropriées réduira tout risque de décharges électriques.
- Éviter tout contact corporel avec des éléments mis à la terre comme : tuyaux, radiateurs, cuisinières ou réfrigérateurs.** Les risques de décharges électriques augmentent lorsque le corps est mis à la terre.
- Ne pas exposer les outils électriques à la pluie ou à l'humidité.** Tout contact d'un outil électrique avec un liquide augmente les risques de décharges électriques.
- Ne pas utiliser le cordon de façon abusive. Ne jamais utiliser le cordon pour transporter, tirer ou débrancher un outil électrique. Protéger le cordon de toute source de chaleur, de l'huile, et de tout bord tranchant ou pièce mobile.** Les cordons endommagés ou emmêlés augmentent les risques de décharges électriques.
- En cas d'utilisation d'un outil électrique à l'extérieur, utiliser systématiquement une rallonge conçue à cet effet.** Cela diminuera tout risque de décharges électriques.
- Si on ne peut éviter d'utiliser un outil électrique en milieu humide, utiliser un circuit protégé par un dispositif de courant résiduel (RCD).** Cela réduira tout risque de décharges électriques.

3) Sécurité Individuelle

- Rester systématiquement vigilant et faire preuve de jugement lorsqu'on utilise un outil électrique. Ne pas**

utiliser d'outil électrique en cas de fatigue ou sous l'influence de drogues, d'alcool ou de médicaments.

Tout moment d'inattention pendant l'utilisation d'un outil électrique comporte des risques de dommages corporels graves.

- b) **Porter un équipement de protection individuel. Porter systématiquement un dispositif de protection oculaire.** Le fait de porter un masque anti-poussières, des chaussures antidérapantes, un casque de sécurité ou un dispositif de protection auditive, lorsque la situation le requiert, réduira les risques de dommages corporels.
- c) **Prévenir tout démarrage accidentel. S'assurer que l'interrupteur est en position d'arrêt avant de brancher l'outil sur le secteur et/ou la batterie, ou de le ramasser ou le transporter.** Transporter un outil le doigt sur l'interrupteur ou brancher un outil électrique alors que l'interrupteur est en position de marche invite les accidents.
- d) **Retirer toute clé de réglage avant de démarrer l'outil.** Une clé laissée sur une pièce rotative d'un outil électrique comporte des risques de dommages corporels.
- e) **Adopter une position stable. Maintenir les pieds bien ancrés au sol et conserver son équilibre en permanence.** Cela permettra de mieux maîtriser l'outil électrique en cas de situations imprévues.
- f) **Porter des vêtements appropriés. Ne porter aucun vêtement ample ou bijou. Maintenir cheveux, vêtements et gants à l'écart des pièces mobiles,** car ils pourraient s'y faire prendre.
- g) **Lorsqu'un dispositif de connexion à un système de dépoussiérage ou d'élimination est fourni, s'assurer qu'il est branché et utilisé correctement.** L'utilisation de ces dispositifs peut réduire les risques engendrés par les poussières.

4) Utilisation et Entretien des Outils Électriques

- a) **Ne pas forcer un outil électrique. Utiliser l'outil approprié au travail en cours.** L'outil approprié effectuera un meilleur travail, de façon plus sûre et à la vitesse pour laquelle il a été conçu.
- b) **Ne pas utiliser un outil électrique dont l'interrupteur est défectueux.** Tout appareil dont l'interrupteur est défectueux est dangereux et doit être réparé.
- c) **Débrancher la fiche du secteur et/ou la batterie de l'outil électrique avant d'effectuer tout réglage, de changer tout accessoire, ou avant de le ranger.** Ces mesures préventives réduiront tout risque de démarrage accidentel de l'appareil.
- d) **Après utilisation, ranger les outils électriques hors de portée des enfants et ne permettre à aucune personne non familière avec son fonctionnement (ou sa notice d'instructions) de l'utiliser.** Les outils peuvent être dangereux entre des mains inexpérimentées.
- e) **Entretien des outils électriques. Vérifier les pièces mobiles pour s'assurer qu'elles sont bien alignées**

et tournent librement, qu'elles sont en bon état et ne sont affectées d'aucune condition susceptible de nuire au bon fonctionnement de l'outil. En cas de dommage, faire réparer l'outil électrique avant toute nouvelle utilisation. De nombreux accidents sont causés par des outils mal entretenus.

- f) **Maintenir tout organe de coupe propre et bien affûté.** Les outils de coupe bien entretenus et affûtés sont moins susceptibles de se coincer et sont plus faciles à contrôler.
- g) **Utiliser un outil électrique, ses accessoires, mèches, etc., conformément aux présentes directives et suivant la manière prévue pour ce type particulier d'outil électrique, en tenant compte des conditions de travail et de la tâche à effectuer.** L'utilisation d'un outil électrique à des fins autres que celles prévues est potentiellement dangereuse.

5) Réparation

- a) **Faire entretenir les outils électriques par un réparateur qualifié en n'utilisant que des pièces de rechange identiques.** Cela permettra de préserver l'intégrité de l'outil électrique et la sécurité de l'utilisateur.

Consignes de sécurité supplémentaires pour les perforateurs-burineurs

- **Portez des protecteurs auditifs.** L'exposition au bruit peut entraîner une perte auditive.
- **Utilisez les poignées auxiliaires fournies avec l'outil.** Une perte de contrôle peut entraîner des blessures corporelles.
- **Tenir l'outil par les surfaces isolées prévues à cet effet pendant toute utilisation où l'organe de coupe pourrait entrer en contact avec des fils électriques cachés ou son propre cordon.** Tout contact de l'organe de coupe avec un fil sous tension peut mettre les parties métalliques exposées de l'outil sous tension et électrocuter l'utilisateur.
- **Assurez-vous que le matériau à percer ne dissimule pas de conduites d'alimentation en électricité ou en gaz et que les emplacements de ces conduites ont été vérifiés par les services publics.**
- **Tenez l'outil fermement en permanence.** Utilisez toujours l'outil en le tenant des deux mains. L'utilisation de cet outil d'une seule main résultera en une perte de contrôle de l'outil. Le perçage ou la découpe de matériaux rigides tels que les barres d'armature peut également présenter un danger. Serrez à fond la poignée latérale avant d'utiliser l'outil.
- **Assurez-vous que le burin est solidement fixé en place avant d'utiliser l'outil.**
- **Par temps froid, ou lorsque l'outil n'a pas été utilisé pendant une période prolongée, faites-le tourner à vide pendant plusieurs minutes avant de l'utiliser.**
- **Lorsque vous travaillez en hauteur, assurez-vous que la zone au-dessous est dégagée.**
- **Ne touchez pas le burin ou les parties avoisinantes immédiatement après avoir utilisé l'outil, car ils peuvent être très chauds et vous brûler.**

- **Dirigez toujours le cordon électrique vers l'arrière, loin du burin.**
- **N'utilisez pas cet outil pendant des périodes prolongées.** Les vibrations provoquées par l'action du marteau peuvent être nuisibles pour vos mains et vos bras. Portez des gants pour amortir les vibrations et limitez l'exposition en faisant des pauses fréquentes.

AVERTISSEMENT : nous recommandons l'utilisation d'un disjoncteur différentiel avec un seuil de déclenchement de 30mA ou moins.

Risques résiduels

Les risques suivants sont inhérents à l'utilisation des marteaux de démolition :

- Dommages corporels par contact avec les parties brûlantes de l'outil.

Malgré l'application de la réglementation de sécurité applicable et la mise en œuvre des dispositifs de sécurité, certains risques résiduels ne peuvent pas être évités. À savoir :

- Diminution de l'acuité auditive.
- Risques de dommages corporels dus à la projection de particules.
- Risques de brûlures provoquées par des accessoires chauffant pendant leur utilisation.
- Risques de dommages corporels dus à un usage prolongé.

Sécurité électrique

Le moteur électrique a été conçu pour fonctionner sur une tension unique. Vérifier systématiquement que la tension du secteur correspond bien à la tension indiquée sur la plaque signalétique.



Votre outil DeWALT à double isolation est conforme à la norme EN60745 ; un branchement à la terre n'est donc pas nécessaire.

Si le cordon fourni est endommagé, le remplacer par un cordon spécialement conçu à cet effet, et disponible auprès du service après-vente DeWALT.

Remplacement de la fiche d'alimentation (Moyen-Orient et Afrique)

Si une nouvelle fiche d'alimentation doit être montée :

- Mettre soigneusement au rebut l'ancienne fiche.
- Raccorder le fil marron à la borne de phase dans la fiche.
- Raccorder le fil bleu à la borne de neutre.

AVERTISSEMENT : aucun branchement ne doit être fait à la borne de terre.

Suivez les instructions de montage fournies avec des fiches de bonne qualité. Fusible recommandé : 13 A.

Utilisation d'une rallonge

Si une rallonge s'avère nécessaire, utiliser une rallonge à trois fils homologuée et compatible avec la tension nominale de cet outil (consulter la **Fiche techniques**). La section minimale du conducteur est de 1,5 mm² pour une longueur maximale de 30 m.

En cas d'utilisation d'un dévidoir, dérouler systématiquement le câble sur toute sa longueur.

Contenu de l'emballage

Ce carton comprend :

- 1 Perforateur-burineur
 - 1 Poignée latérale
 - 1 Burin pointu
 - 1 Coffret de transport
 - 1 Notice d'instructions
- Vérifier que l'appareil et ses pièces ou accessoires n'ont pas été endommagés lors du transport.
 - Prendre le temps de lire attentivement et comprendre cette notice d'instructions avant toute utilisation de l'appareil.

Étiquettes sur l'appareil

On trouve les diagrammes suivants sur l'outil :



Lire la notice d'instructions avant toute utilisation.



Porter un dispositif de protection auditive.



Porter un dispositif de protection oculaire.

Emplacement de la Date Codée de Fabrication (Fig. A)

La date codée de fabrication , qui comprend aussi l'année de fabrication, est imprimée sur le boîtier.

Exemple :

2018 XX XX

Année de fabrication

Description (Fig. A)



AVERTISSEMENT : ne jamais modifier l'outil électrique ni aucun de ses composants. Il y a des risques de dommages corporels ou matériels.

- 1 Interrupteur Marche/Arrêt
- 2 Poignée principale
- 3 Collier d'index de position du burin
- 4 Porte-outil/manchon
- 5 Poignée latérale
- 6 Orifices pour l'installation d'une balise d'outil
- 7 Date codée

Utilisation Prévvue

Votre marteau perforateur de qualité industrielle est conçu pour les travaux de démolition, de burinage et de ciselage industriels. **NE PAS** les utiliser en milieu humide ou en présence de gaz ou de liquides inflammables.

Votre marteau perforateur est un outil électrique professionnel.

NE PAS les laisser à la portée des enfants. Une supervision est nécessaire auprès de tout utilisateur non expérimenté.

- Ce produit n'est pas prévu pour être utilisé par des personnes (y compris les enfants) dont les capacités physiques, sensorielles ou mentales sont réduites ou qui manquent d'expérience ou d'aptitudes, sauf si ces personnes sont surveillées par une autre personne responsable de leur sécurité. Ne jamais laisser les enfants seuls avec ce produit.

Fonction de démarrage en douceur

La fonction de démarrage en douceur fait que la cadence de frappe s'intensifie plus lentement, ce qui évite que le burin ou la pointe ne « rebondisse » sur la maçonnerie au démarrage.

Contrôle de la vibration active

Le contrôle de la vibration active neutralise les vibrations et rebonds du mécanisme du marteau. Grâce à la réduction des vibrations exercées sur la main et le bras, l'utilisation pendant une plus longue durée est plus confortable et prolonge la durée de vie de l'unité.

MONTAGE ET RÉGLAGES

AVERTISSEMENT : pour réduire tout risque de dommages corporels graves, arrêter et débrancher l'outil avant tout réglage ou avant de retirer ou installer toute pièce ou tout accessoire. Tout démarrage accidentel pourrait causer des dommages corporels.

AVERTISSEMENT : portez toujours des gants pour remplacer les accessoires. Les pièces métalliques à découvert de l'outil peuvent devenir très chaudes pendant l'opération.

Insertion et retrait des accessoires SDS MAX (Fig. C)

AVERTISSEMENT : n'appliquez pas de lubrifiant sur la machine.

Cette machine utilise des burins SDS MAX (reportez-vous à l'encart de la Figure C pour une coupe transversale de la tige du burin).

Utilisez uniquement des accessoires recommandés par DeWALT avec ce produit.

1. Nettoyez la tige du burin.
2. Insérez la tige du burin dans le porte-outil/manchon 4. Enfoncez et tournez légèrement le burin jusqu'à ce que le manchon s'encliquète en place.
3. Tirez sur le burin pour vérifier qu'il est bien verrouillé. Pour permettre le martelage, le burin doit être capable de se déplacer axialement de plusieurs centimètres lorsqu'il est verrouillé dans le porte-outil.
4. Pour retirer un burin, tirez vers l'arrière le porte-outil/manchon 4 et faites sortir le burin du porte-outil.

Indexation de la position du burin (Fig. D)

Le burin peut être indexé et verrouillé sur 12 positions différentes.

1. Insérez le burin comme décrit ci-dessus.

2. Tournez le collier de position du burin 3 dans le sens de la flèche jusqu'à ce que le burin se trouve dans la position désirée.

Installation et réglage de la poignée latérale (Fig. E)

AVERTISSEMENT : utilisez toujours la machine avec la poignée latérale correctement installée.

La poignée latérale 5 peut être fixée sur l'avant de la machine pour satisfaire au droitier et au gaucher.

1. Dévissez la molette de serrage de la poignée latérale 9.
2. Faites glisser l'ensemble de la poignée latérale sur la machine en plaçant la bague en acier 10 sur la zone de montage 8. La position correcte de la poignée latérale est entre le haut et le milieu du tube.
3. Ajustez la poignée latérale 5 à l'angle désiré.
4. Faites glisser et pivoter la poignée latérale sur la position désirée.
5. Verrouillez la poignée latérale en place en serrant la molette de serrage 9.

Outil DeWALT prêt pour recevoir une balise d'outil (Fig. A)

Accessoire en option

Votre marteau est équipé de trous de fixation 6 et de fixations, prévus pour installer une balise d'outil DeWALT. Vous aurez besoin d'un embout T20 pour installer la balise. Cette balise d'outil DeWALT a été conçue pour suivre et localiser les outils électriques, les équipements et les machines professionnels grâce à l'application DeWALT Tool Connect™. Pour installer correctement la balise d'outil DeWALT, consultez le manuel Balise d'outil DeWALT.

FONCTIONNEMENT

Consignes d'utilisation

AVERTISSEMENT : respecter systématiquement les consignes de sécurité et les normes en vigueur.

AVERTISSEMENT : pour réduire tout risque de dommages corporels graves, arrêter et débrancher l'outil avant tout réglage ou avant de retirer ou installer toute pièce ou tout accessoire. Tout démarrage accidentel pourrait causer des dommages corporels.

AVERTISSEMENT :

- respectez toujours les consignes de sécurité et les règles en vigueur.
- vérifiez l'emplacement des tuyauteries et canalisations.
- exercez une pression d'environ 20–30 kg sur l'outil. Exercer une force excessive n'accéléra pas le ciselage, mais diminuera les performances de l'outil et risque de réduire la durée de vie de l'outil.

Position correcte des mains (Fig. B)

AVERTISSEMENT : pour réduire tout risque de dommages corporels graves, adopter **SYSTÉMATIQUEMENT** la position des mains illustrée.

AVERTISSEMENT : pour réduire tout risque de dommages corporels graves, maintenir fermement et **SYSTÉMATIQUEMENT** l'outil pour anticiper toute réaction soudaine de sa part.

La position correcte des mains requiert une main sur la poignée latérale **5**, et l'autre sur la poignée principale **2**.

Mise sous et hors tension de l'outil (Fig. A)

Mise sous tension : placez l'interrupteur Marche/Arrêt (on/off) **1** sur la position 1.

Mise hors tension : placez l'interrupteur Marche/Arrêt **1** sur la position 0.

Démolition, ciselage et burinage (Fig. A)

1. Sélectionnez le burin approprié, puis nettoyez.
2. Insérez le burin et vérifiez qu'il est correctement verrouillé.
3. Fixez en place et réglez la poignée latérale **5** en vous assurant qu'elle est solidement serrée.
4. Maintenez l'outil à la fois par sa poignée principale **2** et sa poignée latérale **5** et allumez-le. L'outil fonctionne actuellement en continu.
5. Mettez toujours l'outil hors tension une fois la tâche terminée et avant de le débrancher.

Vous trouverez différents types de burin en option.

Utilisez uniquement des accessoires recommandés par DEWALT avec ce produit.

MAINTENANCE

Votre outil électrique DEWALT a été conçu pour fonctionner longtemps avec un minimum de maintenance. Le fonctionnement continu et satisfaisant de l'outil dépendra d'une maintenance adéquate et d'un nettoyage régulier.

AVERTISSEMENT : pour réduire tout risque de dommages corporels graves, arrêter et débrancher l'outil avant tout réglage ou avant de retirer ou installer toute pièce ou tout accessoire. Tout démarrage accidentel pourrait causer des dommages corporels.

Cette machine n'est pas réparable par l'utilisateur. Apportez votre outil à un réparateur agréé DEWALT après environ 100 heures d'utilisation. En cas de problème avant cette période, contactez un réparateur agréé DEWALT.



Lubrification

Votre outil électrique ne requiert aucune lubrification additionnelle.



Entretien

AVERTISSEMENT : éliminer poussière et saleté du boîtier principal à l'aide d'air comprimé chaque fois que les orifices d'aération semblent s'encrasser. Porter systématiquement des lunettes de protection et un masque anti-poussières homologués au cours de cette procédure.

AVERTISSEMENT : ne jamais utiliser de solvants ou tout autre produit chimique décapant pour nettoyer les parties non métalliques de l'outil. Ces produits chimiques pourraient en attaquer les matériaux utilisés. Utiliser un chiffon humidifié avec de l'eau et un savon doux. Protéger l'outil de tout liquide et n'immerger aucune de ses pièces dans aucun liquide.

Accessoires en option

AVERTISSEMENT : comme les accessoires autres que ceux offerts par DEWALT n'ont pas été testés avec ce produit, leur utilisation avec cet appareil pourrait être dangereuse. Pour réduire tout risque de dommages corporels, seuls des accessoires DEWALT recommandés doivent être utilisés avec cet appareil.

Veillez consulter votre revendeur pour plus d'informations sur les accessoires appropriés.

Entretien des accessoires (Fig. F)

L'entretien opportun des accessoires garantit des résultats d'utilisation optimaux et une durée de vie des accessoires longue et efficace.

Meulez les burins sur des disques abrasifs. Reportez-vous à la Figure F pour connaître l'angle approprié des burins suivants :

- 11** Burin bêche
- 12** Burin à bout plat
- 13** Burin pointu
- 14** Burin en U
- 15** Burin creux
- 16** Burin à mortier
- 17** Burin denté

AVERTISSEMENT : ces burins ne peuvent être meulés qu'un nombre limité de fois. Dans le doute, demandez les conseils de votre revendeur.

AVERTISSEMENT : assurez-vous que le bord tranchant ne présente pas de décoloration due à une pression excessive. Ceci pourrait endommager la dureté de l'accessoire.

Protection de l'environnement



Tri sélectif. Les produits et batteries marqués de ce symbole ne doivent pas être jetés avec les déchets ménagers.

Les produits et batteries contiennent des matières qui peuvent être récupérées et recyclées afin de réduire la demande en matières premières. Veuillez recycler les produits électriques et les batteries conformément aux dispositions locales en vigueur. Pour plus d'informations, consultez le site www.2helpU.com.

مطرقة الهدم

D25951

تهانينا!

لقد اخترت أداة DEWALT. سنوات الخبرة التي تمتد خلالها عمليات تطوير المنتجات وابتكارها تجعل DEWALT من أكثر الشركاء الذين يمكن الاعتماد عليهم بالنسبة لمستخدمي الأدوات الآلية المحترفين.

البيانات الفنية

D25951	
الجهد الكهربائي	فولت <small>ليتر حديد</small> 240-220
النوع	1
التردد	هرتز 50/60
خرج الطاقة	وات 1600
معدل الصدم	الحد الأدنى 1- 1620
طاقة التأثير المفرد (EPTA 05/2009)	ي 24
طاقة التأثير القصوى	ي 30,1
حامل الأداة	SDS MAX
أوضاع الإزيميل	12
الوزن	كجم 13,3

التعريفات: تعليمات الأمان

تصف التعريفات التالية مستوى أهمية كل كلمة تحذيرية، يرجى قراءة الدليل والانتباه لتلك الرموز.

- ⚠️ خطر: تشير هذه الكلمة إلى وجود حالة خطر وشيكة، وإذا لم يتم تفاديها، فقد تؤدي إلى الوفاة أو الإصابة الجسيمة.
- ⚠️ تحذير: تشير هذه الكلمة إلى وجود حالة خطر محتملة، وإذا لم يتم تفاديها، فقد تؤدي إلى الوفاة أو الإصابة الجسيمة.
- ⚠️ تنبيه: تشير هذه الكلمة إلى وجود حالة خطر محتملة، وإذا لم يتم تفاديها، فقد تؤدي إلى حدوث إصابة بسيطة أو متوسطة.
- ⚠️ ملاحظة: تشير إلى ممارسة غير متعلقة بإصابة شخصية، إذا لم يتم تفاديها، فقد تؤدي إلى ضرر الممتلكات.
- ⚡ تشير إلى خطر حدوث صدمة كهربائية.
- 🔥 تشير إلى خطر نشوب حريق.

تحذير: لتقليل خطر حدوث الإصابات، يرجى قراءة دليل التعليمات.



تحذيرات الأمان العامة للأدوات الكهربائية

- ⚠️ تحذير: اقرأ جميع تحذيرات الأمان والتعليمات والإيضاحات والمواصفات الواردة مع هذه الأداة الكهربائية. إذ قد يؤدي عدم اتباع جميع الإرشادات إلى حدوث صدمة كهربائية وأو نشوب حريق وأو وقوع إصابة جسيمة.
- احتفظ بجميع التحذيرات والتعليمات من أجل الرجوع إليها في المستقبل
- يشير المصطلح «أداة كهربائية» في التحذيرات إلى الأداة الكهربائية التي تعمل بالبطاقة الكهربائية (مزودة بسلك كهربائي) أو الأداة الكهربائية التي تعمل بالبطارية (غير مزودة بسلك كهربائي).

1) أمان منطقة العمل

- أ) احتفظ بمنطقة العمل نظيفة ومضاءة بطريقة جيدة. حيث أن المناطق المتكدسة بغير نظام أو المظلمة تؤدي إلى وقوع الحوادث.

- ب) لا تقم بتشغيل الأدوات الكهربائية في الأجواء المتفجرة، كأن يوجد بالمكان سوائل أو غازات أو غبار قابل للاشتعال. قد تؤدي الأدوات الكهربائية التي تحدث شرارات في اشتعال الأتربة أو الأبخرة.
- ج) أبق على الأطفال والأشخاص المشاهدين بعيداً أثناء تشغيل الأداة الكهربائية. فقد يؤدي تشتت الانتباه إلى فقدان سيطرتك.

2) السلامة الكهربائية

- أ) يجب أن يتوافق قابس الأداة الكهربائية مع مصدر التيار الكهربائي. لا تقم مطلقاً بإجراء تعديل على القابس بأي طريقة. لا تستخدم قابس المحول مع الأدوات الكهربائية المؤرزة لتمر تأريضها). حيث ستقلل المقابس غير المعدلة ومصادر التيار الكهربائي المتطابقة من خطر حدوث صدمة كهربائية.
- ب) تجنب ملامسة الجسم مع الأسطح الأرضية أو المؤرزة بالكأنايب والمشعاع والموقد والثلاجات. حيث يوجد خطر متزايد من حدوث صدمة كهربائية إذا كان جسدك مؤرضاً أو ثابتاً على الأرض.
- ج) لا تعرّض الأدوات الكهربائية للمطر أو البلل. إذ سيؤدي الماء الذي يدخل الأداة الكهربائية إلى زيادة خطر حدوث صدمة كهربائية.
- د) لا تستخدم الكابل بطريقة خاطئة. لا تستخدم مطلقاً السلك من أجل حمل الأشياء أو سحبها أو لنزع قابس الأداة الكهربائية. أبعد السلك عن الحرارة أو الزيوت أو الحواف الحادة أو الأجزاء المتحركة. إذ تزيد الأسلاك التالفة أو المشابكة من خطر حدوث صدمة كهربائية.

- هـ) عند تشغيل الأداة الكهربائية خارج المنزل، استخدم سلك استتالة ملائم للاستخدام في الأماكن الخارجية. حيث إن استخدام السلك الملائم للاستخدام الخارجي يقلل من خطر حدوث الصدمة الكهربائية.
- و) إذا لم يكن هناك مفر من تشغيل الأداة الكهربائية في أحد الأماكن الرطبة، فاستخدم مصدر إمداد محمي بجهاز قاطع الدورة (RCD). استخدام جهاز التيار المتبقي يقلل من حدوث الصدمة الكهربائية.

3) السلامة الشخصية

- أ) ابق حذراً وراقب ما تقوم بفعله واستعن بالحواس العامة عند تشغيل الأداة الكهربائية. لا تستخدم الأداة الكهربائية عندما تكون متعباً أو تحت تأثير المخدرات أو الكحول أو الأدوية. قد تؤدي أي لحظة من السهو أثناء تشغيل الأدوات الكهربائية إلى حدوث إصابة جسدية جسيمة.
- ب) استخدم معدات الوقاية الشخصية. قم دوماً بارتداء واقي العينين. إذ أن استخدام معدات الوقاية مثل كمامات الأتربة، وأحذية الأمان المانعة للانزلاق، والخوذة الصلبة، أو واقي الأذن للحالات ذات الصلة سيقلل من الإصابات الشخصية.
- ج) تجنب التشغيل العرضي. تأكد من أن المفتاح في وضع إيقاف التشغيل قبل التوصيل بمصدر الطاقة، و/أو مجموعة البطارية، أو التقاط أو حمل الأداة. حيث قد يؤدي حمل الأدوات الكهربائية أثناء وجود إصبعك على المفتاح أو إمداد الأدوات الكهربائية التي يكون مفتاحها بوضع التشغيل بالكهرباء إلى وقوع الحوادث.
- د) قم بإخراج أي مفتاح ضبط أو مفتاح ربط قبل تشغيل الأداة الكهربائية. فقد يؤدي ترك مفتاح الربط أو المفتاح بالجزء الدوار بالأداة الكهربائية إلى حدوث إصابة شخصية.
- هـ) تجنب مد يدك بعيداً بالجزء. حافظ على ثبات موضع قدمك والتوازن طيلة الوقت. إذ يساعدك ذلك على التحكم بشكل أفضل في الأداة الكهربائية في المواقف الفجائية.
- و) ارتد ملابس مناسبة. تجنب ارتداء ملابس أو مجوهرات فضفاضة. أبعد الشعر والملابس والقفايات عن الأجزاء المتحركة. فقد تحشر الملابس أو المجوهرات الفضفاضة أو الشعر الطويل في الأجزاء المتحركة.

- لا تلمس الإزميل أو الأجزاء القريبة من الإزميل بعد التشغيل مباشرة، لأنها تكون ساخنة للغاية وقد تؤدي إلى إصابة الجلد بحروق.
- قم دوماً بتوجيه كابل الطاقة إلى الخلف، بعيداً عن الإزميل.
- لا تقم بتشغيل هذه الأداة لفترات زمنية طويلة، فقد يؤدي الاهتزاز الناجم عن تشغيل المطرقة إلى إلحاق الأذى باليدين والذراعين. استخدم القفازات لتلطيف الصدمات وقلل من التعرض لها بأخذ فترات راحة متكررة.
- ⚠️ **تحذير:** نوصي باستخدام جهاز قاطع الدورة مع ضبط قطع الدورة على 30 ملي أمبير أو أقل.

المخاطر المتبقية

- تعتبر المخاطر التالية متأصلة في استخدام مطارق الهدم:
- الإصابات الناجمة عن ملامسة الأجزاء الساخنة من الأداة.
- على الرغم من تطبيق تعليمات السلامة ذات الصلة والارتداء بأجهزة الأمان، إلا أنه لا يمكن تفادي بعض المخاطر المتبقية المحددة. وتشمل هذه المخاطر ما يلي:
- ضعف السمع.
- خطر التعرض للإصابة الشخصية بسبب الجسيمات المتطايرة.
- خطر التعرض للحروق بسبب سخونة الملحقات أثناء التشغيل.
- خطر التعرض لإصابة شخصية بسبب الاستخدام المطول.

السلامة الكهربائية

- تم تصميم المحرك الكهربائي لتحمل جهد كهربائي واحد فقط. تأكد دوماً من أن مصدر إمداد الطاقة مطابق للجهد الكهربائي المبين على لوحة التصنيف.



تم تزويد الأداة الخاصة بك من DEWALT بعازل مزدوج طبقاً لمعيار EN60745، لذا لا حاجة للسلك الأرضي.

- في حالة استبدال السلك أو القابس في الأداة، يجب أن تتم عملية الإصلاح من قبل مركز خدمة معتمد أو فني مؤهل.

استبدال قابس التيار الرئيسي

(الشرق الأوسط وإفريقيا)

- إذا استدعت الضرورة تركيب قابس تيار رئيسي، فقم بالتالي:
- تخلص بأمان من القابس القديم.
- قم بتوصيل السلك البني بطرف التوصيل النشط في القابس.
- قم بتوصيل السلك الأزرق بطرف التوصيل المحايد.
- ⚠️ **تحذير:** لا يتم إجراء أي توصيل بطرف التوصيل الأرضي.

قم باتباع التعليمات الواردة مع القوابس ذات الجودة العالية المتصهر الموصى باستخدامه؛ 13 أمبير.

استخدام كابل الاستطالة

- إذا استدعت الضرورة استخدام كابل استطالة، فاستخدم كابل استطالة معتمد ملائم لدخل طاقة هذه الأداة، (انظر البيانات الفنية)، الحد الأدنى لحجم الموصل هو 1.5 مم² الطول الأقصى هو 30 م.
- عند استخدام بكرة الكابل، قم دوماً بفك الكابل تماماً.

محتويات العبوة

تحتوي العبوة على ما يلي:

- 1 مطرقة هدم
- 1 مقبض جانبي
- 1 إزميل مدبب
- 1 صندوق الأداة
- 1 دليل التعليمات

- في حال توفير الأجهزة للتوصيل بوسائل استخلاص وتجميع الأتربة، فتأكد من توصيلها واستخدامها بطريقة صحيحة. حيث أن تجميع الأتربة قد يؤدي إلى تقليل المخاطر المتعلقة بالأتربة.

4 استخدام الأداة الكهربائية والعناية بها

- أ) لا تتعامل بالقوة مع الأداة الكهربائية. استخدم الأداة الكهربائية الملائمة لغرض الاستخدام الخاص بك. حيث ستجني الأداة الكهربائية الملائمة المهمة بشكل أفضل وأكثر أماناً عند المعدل الذي صممت من أجله.
- ب) لا تستخدم الأداة الكهربائية إذا كان المفتاح لا يقوم بالتشغيل وإيقاف التشغيل، حيث تشكل أي أداة كهربائية لا يمكن التحكم فيها بواسطة المفتاح خطورة ويجب إصلاحها.
- ج) قم بفصل القابس من مصدر الطاقة و/أو مجموعة البطارية، إذا كانت قابلة للفصل، من الأداة الكهربائية قبل إجراء أي عمليات ضبط أو تغيير ملحقات أو تخزين الأدوات الكهربائية. تنقل إجراءات السلامة الوقائية هذه من خطر تشغيل الأداة الكهربائية بشكل فجائي.
- د) قم بتخزين الأدوات الكهربائية المتوقفة عن العمل بعيداً عن متناول الأطفال ولا تدع الأشخاص غير الملمين بالأداة الكهربائية أو بهذه التعليمات يقومون بتشغيل الأداة الكهربائية. إذ تعد الأدوات الكهربائية مصدر خطورة في أيدي المستخدمين غير المدربين على استخدامها.
- هـ) حافظ على الأدوات الكهربائية والملحقات. افحص للتحري عن أي محاذرة غير صحيحة أو تقييد للأجزاء المتحركة، أو كسر بالأجزاء وأي حالات أخرى قد تؤثر على تشغيل الأداة الكهربائية. وفي حال وجود تلف، قم بإصلاح الأداة الكهربائية قبل الاستخدام. حيث يرجع سبب وقوع العديد من الحوادث إلى الصيانة السيئة للأدوات الكهربائية.
- و) حافظ على أدوات القطع في حالة حادة ونظيفة. حيث أن أدوات القطع التي تتم صيانتها بطريقة صحيحة ومزودة بحواف قطع حادة تتعرض بشكل أقل للالتصاق ويسهل التحكم بها على نحو أكبر.
- ز) استخدم الأداة الكهربائية والملحقات ولقمر الأداة وما شابه ذلك وفقاً لهذه التعليمات مع الأخذ في الاعتبار ظروف التشغيل والعمل المراد تنفيذها. إذ أن استخدام الأداة الكهربائية لعمليات مختلفة عن تلك العمليات المخصصة لها قد يؤدي إلى حالة خطيرة.

5 الخدمة

- أ) قم بصيانة الأداة الكهربائية الخاصة بك على يد فني إصلاح مؤهل وذلك من خلال استخدام أجزاء بديلة متطابقة فقط. حيث يضمن ذلك الحفاظ على أمان الأداة الكهربائية.

تعليمات السلامة الإضافية لمطارق الهدم

- قم بارتدائه واقبات الأذن. إذ أن التعرض للضوضاء قد يؤدي إلى فقدان السمع.
- استخدم المقابض الواردة مع الأداة. إذ أن فقدان التحكم في المطرقة قد يتسبب في حدوث إصابة شخصية.
- امسك الأدوات الكهربائية بواسطة أسطح الإمساك المعزولة عند التشغيل حتى لا يتلامس ملحق القطع مع السلاك الخفية أو السلك الخاص به. ملحق القطع المتلامس مع السلك «النشط» قد يؤدي إلى «تنشيط» الأجزاء المعدنية المكشوفة من الأداة وتعرض المشغل للصعقة الكهربائية.
- تأكد من أن المواد المراد ثقبها لا يخفي فيها أي أشياء كهربائية أو غاز وأنه قد تم التحقق من صحة مواقعها بواسطة شركات المرافق العامة.
- امسك الأداة بإحكام الأداة في كل الأوقات. ولا تحاول تشغيل هذا الأداة بدون إمساكها بكلتا اليدين. إذا أن تشغيل هذه الأداة بيد واحدة سيؤدي إلى فقدان التحكم. كما أن اختراق المواد الصلبة أو مصادفتها كالحديد قد يصبح من الأمور الخطيرة أيضاً. قم بإحكام ربط المقبض الجانبي جيداً قبل الاستخدام.
- تأكد من أن الإزميل محكم الربط في موضعه قبل تشغيل الأداة.
- في أحوال الطقس الباردة أو عندما لا يتم استخدام الأداة لفترة زمنية طويلة، قم بترك الأداة بدون حمل لعدة دقائق قبل الاستخدام.
- عند العمل فوق المستوى الأرضي، تأكد من أن المنطقة السفلية خالية.

- افحص بحثًا عن أي تلف لحق بالأداة أو الأجزاء أو الملحقات يمكن أن يكون قد حدث أثناء النقل.
- خذ الوقت الكافي لفراة هذا الدليل وافهمه جيدًا قبل التشغيل.

علامات على الأداة

الصور التالية موضحة على الأداة:



اقرأ دليل التعليمات قبل الاستخدام.



قم بارتداء واقيات الأذن.



قم بارتداء واقيات العين.

وضع كود التاريخ (الشكل A)

كود التاريخ 7 الذي يتضمن كذلك عام التصنيع، مطبوع في الغلاف.

مثال:

2018 XX XX

سنة التصنيع

الوصف (الشكل A)

تحذير: لا تقم مطلقاً بتعديل الأداة الكهربائية أو أي جزء منها. فقد ينجر عن ذلك التلف أو الإصابة الشخصية.

- 1 مفتاح التشغيل / إيقاف التشغيل
- 2 المقبض الرئيسي
- 3 جلبه مؤشر وضع الإزميل
- 4 كمر/حامل الأداة
- 5 مقبض جانبي
- 6 تقويب تركيب علامة الأداة
- 7 كود البيانات

الاستخدام المقصود

تم تصميم مطرقة الهدم القوية للهدم القوي واستخدامات القطع والترصيع.

لا تستخدمها في ظروف البلل أو في وجود سوائل أو غازات قابلة للاشتعال.

مطرقة الهدم عالية التحمل من الأدوات الاحترازية التي تعمل بالكهرباء.

لا تدع الأطفال يلمسون الأداة. يكون الإشراف أمرًا ضروريًا عند استخدام مشغل قليل الخبرة لهذه الأداة.

- هذا المنتج غير مخصص للاستخدام من قبل الأفراد (بما في ذلك الأطفال) الذين يعانون من قصور في القدرات الجسدية أو الحسية أو العقلية، وقلة الخبرة أو المعرفة أو المهارات ما لم يكونوا تحت إشراف من يتحمل مسؤولية سلامتهم. لا ينبغي أن يُترك الأطفال وحدهم مع هذا المنتج.

ميزة بدء التشغيل الهادئ

تتيح ميزة التشغيل الهادئ تراكم معدل التأثير ببطء أكبر، وبالتالي منع «ارتداد» الإزميل أو النقطة في حرفة البناء عند بدء التشغيل.

التحكم الفعّال في الاهتزاز

يعمل التحكم الفعّال في الاهتزاز على تحديد اهتزاز الارتداد الناتج عن المطرقة. ويتيح خفض اهتزاز اليدين والذراعين استخدامًا مريحًا بشكل أكبر لفترة زمنية أطول ويقلل عمر الوحدة.

عمليات التجميع والضبط

تحذير: لتقليل خطر التعرض للإصابة الشخصية الجسيمة، قم بإيقاف تشغيل الأداة وفصلها من مصدر الطاقة قبل إجراء أي عمليات ضبط، أو إزالة/تركيب

الملحقات أو الإكسسوارات. قد يؤدي بدء التشغيل غير المقصود إلى حدوث إصابة.

تحذير: ارتد دائمًا قفازات عند تغيير الملحقات. قد تصبح الأجزاء المعدنية المكشوفة في الأداة والملحق ساخنة للغاية أثناء التشغيل.



إدخال وإزالة ملحقات SDS MAX (الشكل C)

تحذير: لا تستخدم الشحمر في الآلة.



تستعمل هذه الآلة أزميل SDS Max (يرجى الرجوع إلى الصورة الداخلية في الشكل C لرؤية المقطع العرضي لساق الإزميل).

يجب استخدام ملحقات DEWALT الموصى بها فقط مع هذا المنتج.

1. قم بتنظيف ساق الإزميل.
2. أدخل ساق الإزميل في كمر/حامل الأداة 4. قم بضغط ولف الإزميل قليلاً حتى يطبق الكمر في الموضع الصحيح.
3. اسحب الإزميل للتحقق إذا ما كان مقللاً بطريقة صحيحة أم لا. تتطلب وظيفة الطرق أن يكون الإزميل قادرًا على التحرك بشكل محوري عدة سنتيمترات عندما يتم قفلها في حامل الأداة.
4. لإزالة إزميل، اسحب للخلف كمر/حامل الأداة 4، واسحب الإزميل خارج حامل الأداة.

توجيه وضع الإزميل (الشكل D)

1. يمكن فهرسة الإزميل وقفله في 12 موضعًا مختلفًا.
2. أدخل الإزميل كما هو موضح أعلاه.
3. أدر جلبه توجيه موضع الإزميل 3 في اتجاه السهم حتى يستقر الإزميل في الموضع المطلوب.

تركيب وضبط المقبض الجانبي (الشكل E)

تحذير: قم دومًا بتشغيل الآلة والمقبض الجانبي مركب بطريقة صحيحة.



يمكن تثبيت المقبض الجانبي 5 على الجزء الأمامي من الآلة لملامحة كل من المستخدمين الذين يستخدمون اليد اليمنى واليسرى.

1. قم بفك عقدة مشبك المقبض الجانبي 9.
2. قم بتحريك مجموعة المقبض الجانبي في الآلة مع تحديد مكان الحلقة الفولاذية 10 في منطقة التثبيت 8. يوجد الموضع الصحيح للمقبض الجانبي بين رأس ووسط الأنبوب.
3. اضبط المقبض الجانبي 5 على الزاوية المطلوبة.
4. قم بتحريك وإدارة المقبض الجانبي إلى الموضع المطلوب.
5. اقفل المقبض الجانبي في مكانه عن طريق إحكام تثبيت عقدة المشبك 9.

أداة DEWALT جاهزة (الشكل A)

الملحقات الاختيارية

تأتي المطرقة مع تقويب 6 ومثبتات لتثبيت أداة DEWALT. تحتاج إلى طرف T20 لتثبيت الأداة. تم تصميم أداة DEWALT لتعقب وتحديد موقع أدوات الطاقة والمعدات والألات التي تستخدم تطبيق DEWALT Tool Connect™. من أجل الاستخدام الأمثل لأداة DEWALT، ارجع إلى دليل استخدام أداة DEWALT.

تعليمات الاستخدام

تحذير: التزم دومًا بتعليمات الأمان واللوائح المعمول بها.



حذير: لتقليل خطر التعرض للإصابة الشخصية الجسيمة، قم بإيقاف تشغيل الأداة وفصلها من مصدر الطاقة قبل إجراء أي عمليات ضبط، أو إزالة/تركيب



الملحقات أو الإكسسوارات. قد يؤدي بدء التشغيل غير المقصود إلى حدوث إصابة.

تحذير:



• التزم دومًا بتعليمات الأمان واللوائح المعمول بها.

تحذير: لا تقم مطلقاً باستخدام مذيبات أو أي مواد كيميائية قاسية أخرى لتنظيف الأجزاء غير المعدنية بالأداة. إذ قد تضعف هذه المواد الكيميائية من المواد المستخدمة في هذه الأجزاء. استخدم قطعة قماش مبللة بالماء والصابون الخفيف فقط. لا تسمح قط بدخول أي سائل إلى الأداة، ولا تقم مطلقاً بغمر أي جزء من الأداة في السائل.



- كن على دراية بموقع الأثابيب والأسلاك.
- استخدم ضغطاً يبلغ حوالي 20-30 كجم على الأداة. القوة المفرطة لا تؤدي إلى تسريع عملية الهدم فحسب ولكنها تقلل من أداء الأداة وقد تقصر من عمر تشغيل الأداة.

طريقة الإمساك الصحيحة باليد (الشكل B)

تحذير: لتقليل خطر حدوث الإصابة الشخصية الجسيمة، استخدم دوّمًا الوضع اليدوي الملائم كما هو موضح.

تحذير: لخفض خطر التعرض للإصابة الجسدية الجسيمة، أمسك دوّمًا الأداة بإحكام عند توقع حدوث رد فعل مفاجئ.

يتطلب وضع اليد بشكل ملائم استخدام يد واحدة على المقبض الجانبي 5، مع وجود اليد الأخرى على المقبض الرئيسي 2.

الملحقات الاختيارية

تحذير: نظرًا لأن الملحقات، بخلاف تلك التي اعتمدها DeWALT، لم تخضع للاختبار مع هذا المنتج، فإن استخدام مثل هذه الملحقات مع الأداة قد يشكل خطورة. لتقليل خطر وقوع إصابة، يجب استخدام ملحقات DeWALT الموصى بها فقط مع هذا المنتج. استشر وكيلك لمعرفة المزيد من المعلومات حول الملحقات الملائمة.



صيانة الملحقات (الشكل F)

تضمن صيانة الملحقات في الوقت المناسب تحقيق أفضل النتائج في الاستخدام وعمق طويل وفعال.

قم بتجليخ الأزاميل على أقراص التجليخ. يُرجى الرجوع إلى الشكل هـ للحصول على الزوايا المناسبة للأزاميل التالية

- 11 إزميل بشكل مجرقة
- 12 إزميل بارد
- 13 إزميل مدبب
- 14 إزميل على شكل U
- 15 إزميل أجوف
- 16 إزميل ملاط
- 17 إزميل مسنن

تحذير: يمكن تجديد هذه الأزاميل لعدد محدود فقط من المرات. وفي حالة الشك، يُرجى الاتصال بالموزع للاطلاع على التوصيات.



تحذير: تأكد من أن حافة القطع لا تعرض نضول الأوان الذي يتسبب عن الضغط الأكبر من اللازم. فقد يؤدي هذا إلى إضعاف صلابة الملح.



حماية البيئة

التجميع المنفصل. يجب عدم التخلص من المنتجات والبطاريات المهددة بهذا الرمز من خلال القمامة المنزلية العادية. فهذه المنتجات والبطاريات تحتوي على مواد يمكن استعادتها أو إعادة تدويرها لخفض الطلب على المواد الخام. الرجاء التخلص من المنتجات الكهربائية والبطاريات وفقًا للقوانين المحلية. توجد معلومات إضافية متوفرة على الموقع www.2helpu.com.



الصيانة

تم تصميم الأداة الكهربائية DeWALT الخاصة بك للعمل خلال فترة زمنية طويلة مع أدنى حد من الصيانة. يعتمد التشغيل المرضي المتواصل على العناية الملائمة بالأداة وتبنيها بشكل منتظم.

تحذير: لتقليل خطر التعرض للإصابة الشخصية الجسيمة، قم بإيقاف تشغيل الأداة وفصلها من مصدر الطاقة قبل إجراء أي عمليات ضبط، أو إزالة/تركيب الملحقات أو الإكسسوارات. قد يؤدي بدء التشغيل غير المقصود إلى حدوث إصابة.



هذا الجهاز لا يمكن خدمته من قبل المستخدم. توجه بالأداة إلى وكيل إصلاح DeWALT معتمد بعد 100 ساعة تقريباً من الاستخدام.

إذا استمرت المشكلة قبل هذه الفترة، فاتصل بوكيل إصلاح DeWALT معتمد.



التشحيم

لا تحتاج الأداة الكهربائية الخاصة بك إلى أي تشحيم إضافي.



التنظيف

تحذير: قم بنفخ الأتربة والغبار خارج التجويف الرئيسي بواسطة الهواء الجاف عدد أكبر من المرات في حال مشاهدة تجمع الأتربة بداخل المنافذ الهوائية وحولها. قم بارتداء واقي العين المعتمد وكمامة الأتربة المعتمدة عند تنفيذ هذا الإجراء.



Afghanistan	Ariana Hafiz Zabi Co. Ltd. Dahan Bagh Squire Karte Ariana, Kabul, Afghanistan	info@arianahafiz.com	Tel: 93-0-799331079 Fax: 93-0-700007576 / 93-0-799331079
Algeria	Sarfi Outillage Corporation 08, Rue Med Boudiaf (ex TELLA Achen) Cheraga, Alger	hakim.merdjadi@outillage-dz.com lyes@outillage-dz.com Mali.faiza@outillage-dz.com; sidahmed@outillage-dz.com	Tel: 213-0-21375130 213-0-21375131 Fax: 213-0-21369667
Angola	Angoferraria, Lda. Rua Robert Shields, nº 61, Luanda, Angola	angoferraria@gmail.com sequeira.angoferraria@gmail.com	Tel: 244-222-395837 / 244-222-395034 Fax: 244-222-394790
Azerbaijan	Royalton Holdings Ltd. 41 Khagani St. Apt. 47 AZ1001 Baku- Azerbaijan	jai@royaltonholdings.com office@royaltonholdings.com	Tel: 994-12-4935544 Fax: 994-12-5980378
Egypt	ElFarab S.A.E. 15-Nabil El Wakkad Street, Dokki, Giza, Egypt	elfarab@elfarab.com adel.ezzat@elfarab.com mahmoud.elhosseiny@elfarab.com	Tel: 202-37603946 Fax: 202-33352796
Ethiopia	Seif Tewfik Sherif Arada Sub City, Kebele 01/02, Global Insurance Bldg., 2nd Flr., Room 43, P.O. Box 2525, Addis Ababa	seif@ethionet.et nawanag@ethionet.et	Tel: 251-11-1563968 251-11-1563969 Fax: 251-11-1558009
Iraq	Al-Sard Co. for General Trading Ltd Jbara Bldg. 3Flr. Al Rasheed St., Baghdad, Iraq	dewalt.service@yahoo.com	Tel: 964-18184102
Jordan	Amman West Stores-Bashti 210 Garden St. Tla'a Ali, P.O. Box 1564 Tla Ali Amman 11953, Jordan	ali@bashitstores.com yousef@bashitstores.com	Tel: 962-6-5350009 Fax: 962-6-5350012
Kenya	Dextron Tools Ltd. P.O. Box 20121-00200, Shariff House, Kimathi Street, Nairobi	info@alibhaishariff.co.ke dextron@alibhaishariff.co.ke	Tel: 254-20-6905000 254-20-2358021 Fax: 254-20-6905111 / 254-20-6905112
Lebanon	Est. Shaya & Azar S.A.R.L. Boulevard Jdeideh - Mar Takla - Bouchrieh . P.O. Box 90545, Jdeideh. Beirut - Lebanon	shayazar@dm.net.lb	Tel: 961 1 872305 961 1 872306 Fax: 961 1 872303
Libya	North Africa Trading (El Ghoul Brothers) P.O. Box 348, 7 October Street 11 Benghazi	maryam_farooq2003@yahoo.com nagte@eim.ae dewalt_libya@yahoo.com	Tel: 218-061-3383994 Fax: 218-092-7640688
	North Africa Trading (El Ghoul Brothers) AlBarniq DeWALT Center, Mokhazin-elsukar St. ElFallah, Tripoli	dewalt_libya@yahoo.com	Tel: 218-021-3606430 Fax: 218-092-6514813
	North Africa Trading (El Ghoul Brothers) AlHilal Service Center Tawergha St., Misurata		Tel: 218-091-3221408
Mauritius	Robert Le Marie Limited Old Moka Road, Bell Village, P.O. Box 161, Port Louis	a.blackburn.rlm@ringroup.mu jm.pierelouis.rlm@ringroup.mu	Tel: 230-212 1865 230-212 2847 Fax: 230-2080843
Morocco	Ets Louis Guillaud & Cie 31, Rue Pierre Parent, Casablanca - 21000	boumadiane.azedine@elg.ma doukkali.marouane@elg.ma	Tel: 522-301446 / 305971 / 317815 / 315576 Fax: 522-444518 / 317888
Nigeria	Meridian Power Tools Ltd. Gr. Floor, #1 Alhaji Masha Rd, Next to Teslim Balogun Stadium, Near National Stadium Surulere, Lagos, Nigeria	braj@meridian-nigeria.com	Tel: 234-1-7740431 234-1-7740410 Fax: 234-1-7913798
Pakistan	Northern Toolings (Pvt) Ltd -Lahore 86- Railway Road, Lahore - 7 Pakistan	zhayee@northern.pk import@northern.pk sales@northern.pk	Tel: 92-423-7651220 92-423-7641675 Fax: 92-423-7641674
	Northern Toolings (Pvt) Ltd -Karachi 224-231 Industrial Town Plaza, Shahrah-e-Liaqat, Karachi, Pakistan	karachibr@northern.pk	Tel: 92-213-2465305 92-213-2465307 Fax: 92-213-2465301
	Northern Toolings (Pvt) Ltd -Taxila Al-Rehman Plaza, Opposite Tehsil Court, Faisal Shaheed Road, Taxila	taxiabr@northern.pk	Tel: 92-51-4545811 Fax: 92-51-4544194
South Africa	Benray Tool Wholesalers C.C. 91 Turfontein Road, Stafford, Johannesburg, 2001 P.O. Box 260037 EXCOM 2023, South Africa	dewalt.service@benray.co.za zain@benray.co.za shafiq@benray.co.za	Tel: 27-11-6838350 Fax: 27-11-6837456
Tanzania	General Motors Investment Ltd. 14 Vingunguti-Nyerere Road, P.O.Box 16541, Dar es Salaam, Tanzania	ezraz@gmi-tz.com info@gmi-tz.com chiwelesa@yahoo.com	Tel: 255-22-2865022 / 2862661 / 2862671 / 2862659 Fax: 255-22-2862667
Tunisia	Ets. Mohamed Ghorbel 03 Rue 8603 Chargaia I Tunis. Postal Code 2035	slim.ghorbel@gnet.tn moh.ghorbel@gnet.tn mourad.ghorbel@gnet.tn	Tel: 216-71794248 216-71793848 Fax: 216-71770759
Uganda	The Building Center (21) Ltd. 52 Station Road, Kitgum House, P.O. Box 7436 Kampala, Uganda	tbc@africaonline.co.ug chris@tbcu.co.ug	Tel: 256-041-4234567 256-041-4259754 Fax: 256-041-4236413
Yemen	Middle East Trading Co. (METCO) 5th Flr.Hayel Saeed Anam Bldg. Al-Mugamma St. Taiz, Yemen	tamer.metco@gmail.com tamer@metcotrading.com metco@metcotrading.com sami@metcotrading.com	Tel: 967-4-213455 Fax: 967-4-219869
	Middle East Trading Co. (METCO) Mualla Dakka, Aden	tamer.metco@gmail.com tamer@metcotrading.com metco@metcotrading.com	Tel: 967-2-222670 Fax: 967-2-222670
	Middle East Trading Co. (METCO) Hayel st., Sana'a, Yemen	tamer.metco@gmail.com tamer@metcotrading.com metco@metcotrading.com	Tel: 967-1-204201 Fax: 967-1-204204

UAE	Black & Decker (Overseas) GmbH P.O. Box 5420, Dubai	service.mea@blackdecker.com	Tel: 971-4 8127400 / 8127406 Fax: 971-4 2822765	
	Ideal Star Workshop Eqpt. Trading LLC P.O. Box 37116, Al Quoz, Dubai	idealeq@emirates.net.ae	Tel: 971-4 3474160 Fax: 971-4 3474157	
	Alebrah Engineering Service P.O. Box 78954, Al Qusais, Dubai	alebrah@eim.ae	Tel: 971-4 2850044 Fax: 971-4 2844802	
	Burj Al Madeena Industrial Area No. 1, opp. Pakistani Masjid P.O. Box 37635, Sharjah	dewaltuae@hotmail.com	Tel: 971-6 5337747 Fax: 971-6 5337719	
	McCoy Middle East LLC P.O. Box 25793, Sharjah	mccoy@emirates.net.ae	Tel: 971-6 5395931 Fax: 971-6 5395932	
	McCoy Middle East LLC P.O. Box 10584, Ras Al Khaimah	mccoynak@gmail.com	Tel: 971-7 2277095 Fax: 971-7 2277096	
	Al Sukoon Gen. Trdg. Co. LLC P.O. Box 2975, Ajman	sukoon@eim.ae	Tel: 971-6 7435725 / 7438317 Fax: 971-6 7437350	
	Zillion Equipment and Spare Parts Trading LLC P.O. Box 19740, opp. Bin Sadal / Trimix Hedyim Sanaiya, Al Ain	zilliontrdg@gmail.com	Tel: 971-3 7216690 Fax: 971-3 7216103	
	Light House Electrical, Abu Dhabi Branch P.O. Box 120, Abu Dhabi	dewalt_lhe@hotmail.com	Tel: 971-2 6726131 Fax: 971-2 6720667	
	Light House Electrical, Musafih Branch P.O. Box 120, Abu Dhabi	dewalt_lhe@hotmail.com	Tel: 971-2 5548315 Fax: 971-2 5540461	
	Bahrain	Alfouz Services Co. WLL P.O. Box 26562, Tubli, Manama	alfouz@batelco.com.bh	Tel: 973 17783562 / 17879987 Fax: 973 17783479
		Kavalani & Sons W.L.L. P.O. Box 71, Sitra, Manama	info@kavalani.com pradeep@kavalani.com	Tel: 973 17732888 Fax: 973 17737379
	Kuwait	Al Omar Technical Co. P.O. Box 4062, Safat 13041, Kuwait	alexotc@usa.net	Tel: 965 24848595 / 24840039 Fax: 965 24845652
		Fawaz Al Zayani Establishment P.O. Box 42426, Shop No.18, Al Humaizi Commercial Complex, Khalifa Al Jassim, Shuwaikh	dewaltkuwait@hotmail.com	Tel: 965 24828710 Fax: 965 24828716
Fawaz Al Zayani Establishment Fahaheel Industrial Area, Main St., Sanaya		dewaltkuwait@hotmail.com	Tel: 965 23925830 Fax: 965 24828716	
Oman	Al Jizzi Company LLC P.O. Box 1704, P.C. 112, Ruwi	aljizied@omantel.net.om jizzi10@omantel.net.om	Tel: 968 24832618 / 24835153 Fax: 968 24831334 / 24836460	
	Al Hassan Technical & Construction Supplies Co. LLC P.O. Box 1948, P.C. 112, Ruwi	hamriya.sr@al-hassan.com abrar.h@al-hassan.com	Tel: 968 24810575 / 24837054 Fax: 968 24810287 / 24833080	
	Oman Hardware Co. LLC P.O. Box 635, Ruwi Postal Code 112	omanhard@omantel.net.om	Tel: 968 24815131 Fax: 968 24816491	
	Khimji Ramdas P.O. Box 19, Post Code 100, Ghala, Muscat	bilal.m@khimjiramdas.com	Tel: 968 24595906/ 907 Fax: 968 24852752	
Qatar	Teyseer Industrial Supplies & Services Co. WLL 55, Al Wakalat St. (Between St. 18 & 19) Salwa Industrial Area, P.O. Box 40523 Doha	manish@tissoo-qatar.com tool.service@tissoo-qatar.com	Tel: 974 4581536 Fax: 974 4682024	
	Shaheen Electrical Works & Trading Co. WLL Gate 34, St. 44 Industrial Area P.O. Box 9756, Doha	shaheenelc@gmail.com	Tel: 974 460 02 30 / 460 05 25 Fax: 974 460 13 38	
KSA	Industrial Material Organization (IMO) P.O. Box 623, Rail Street, Riyadh	service@imo.com.sa	Tel: 966-1 4028010 Ext. 26 Tel: 966-1 8001245757 Fax: 966-1 4037970	
	Fawaz Ebrahim Al Zayani Trading Est. P.O. Box 76026, Al Raka : 31952	dewaltdammam@hotmail.com	Tel: 966-3 8140914 Fax: 966-3 8140824	
	MSS (Al-Mojil Supply & Services) P.O. Box 450, Jubail 31951	mssjubail@almojilservices.com alex.chang@almojilservices.com	Tel: 966-3 3612850 / 3624487 Tel: 966-3 3621729 Fax: 966-3 3623589 / 3620783	
	Opp-Gulf Bridge Library & Riyadh House			
	EAC (Al Yousef Contg. & Trdg. Est.) P.O. Box 30377, Jeddah -21477	golamkibria77@yahoo.com	Tel: 966-2 6519912 Fax: 966-2 6511153	
	Mohamed Ahmed Bin Afif Est. P.O. Box 530, Yanbu, Al Bahr	binaffiybanbu@hotmail.com	Tel: 966-4 3222626 / 3228867 Fax: 966-4 3222210	
	Garziz Trading for Bldg Mat & Decoration P.O. Box 3364, Madina	agarziz@yahoo.com	Tel: 966-4 826 14 90 / 822 76 36 Fax: 966-4 826 57 41	
	Sultan Garment Factory (RSC) P.O. Box 29912, Riyadh 11467	rscservice@dlignet.net.sa	Tel: 966-1 4055148 / 4042889 Fax: 966-1 4055148	
	Al Bawardi Tools & Hardware P.O. Box 112, Dammam 31411	asattar@albawardi.com nibanez@albawardi.com	Tel: 966-3 8330780 Ext. 24 Tel: 966-3 8348585 Ext. 24 Fax: 966-3 8336303	
	Al Bawardi Tools & Hardware P.O. Box 68, Riyadh 11411	rbaltoa@albawardi.com asamad@albawardi.com	Tel: 966-1 4484999 Fax: 966-3 4487877	
	Al Bawardi Tools & Hardware P.O. Box 16905, Jeddah 21474	sharadij@albawardi.com fgaber@albawardi.com	Tel: 966-2 6444547 / 6439035 Tel: 966-2 6456095 Fax: 966-2 6439024	