

**DEWALT®**

**[www.DEWALT.com](http://www.DEWALT.com)**

**DW331**

---

**English** (*original instructions*)

**5**

---

**Français** (*traduction de la notice d'instructions originale*)

**12**

---

**ﺗﻪﻳﻠﻮﺍﻟﺘﺎﻣﻴﻞ ﻋﺘﻼﻧﻊ ﻣﺠﺮﺗﻢ) ﺗﻪﻳﺒﺮﻋﻼ**

**20**

---

Figure 1  
شکل 1

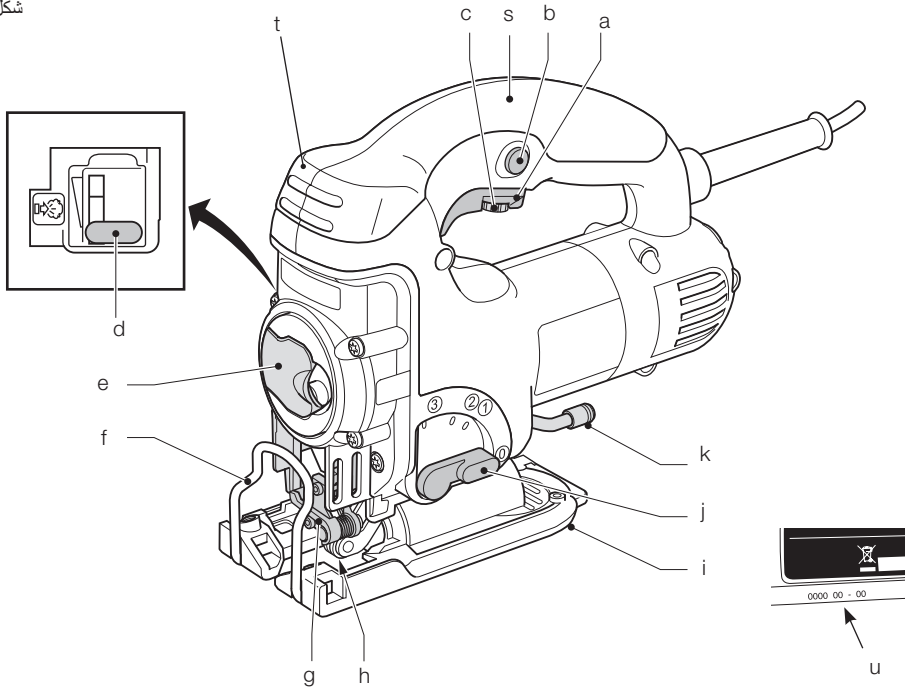


Figure 2  
شکل 2

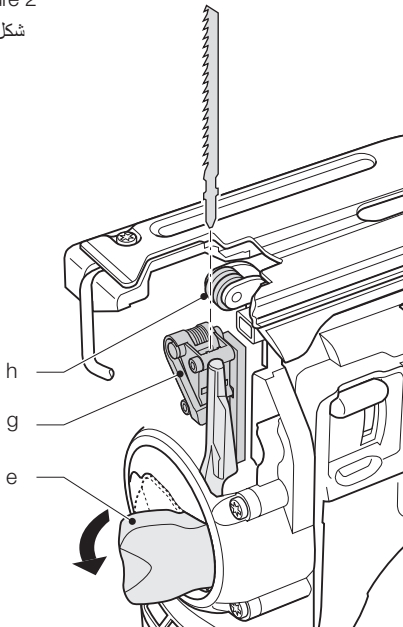


Figure 3  
شکل 3

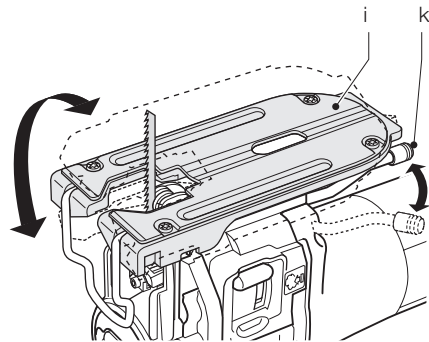


Figure 4  
شکل 4

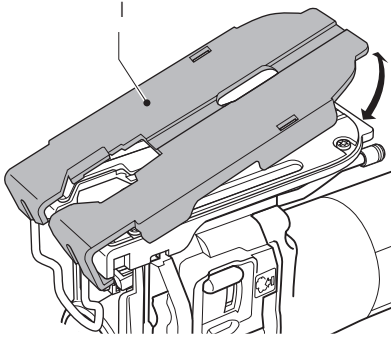


Figure 5  
شکل 5

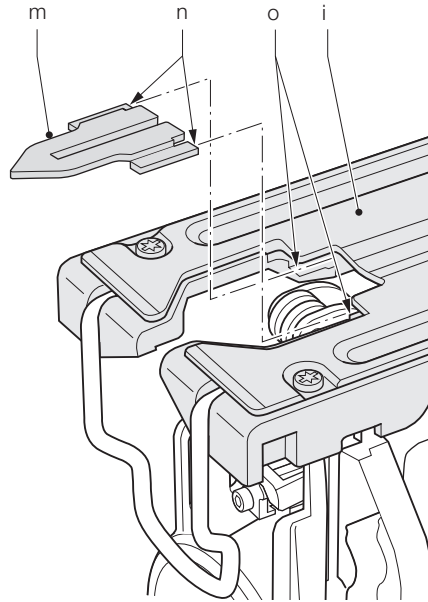


Figure 6  
شکل 6

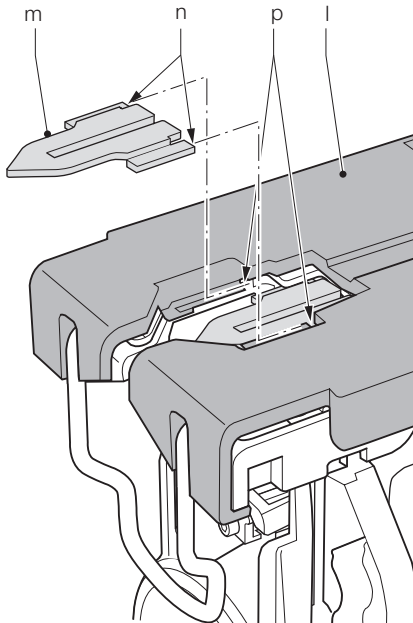


Figure 7  
شکل 7

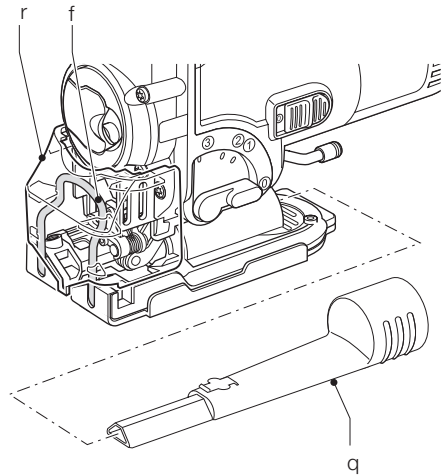


Figure 8  
شکل 8

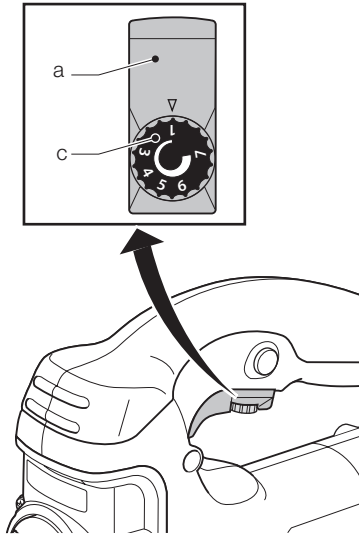


Figure 9  
شکل 9

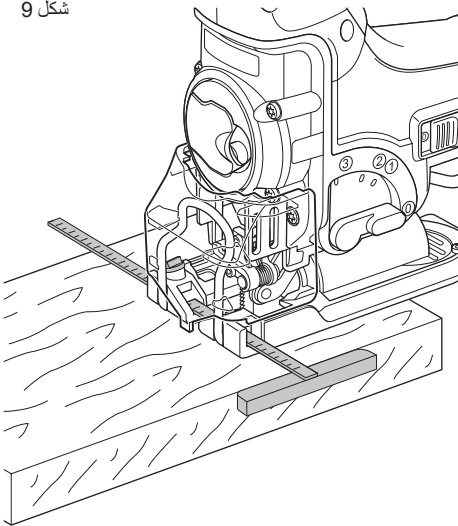


Figure 10  
شکل 10

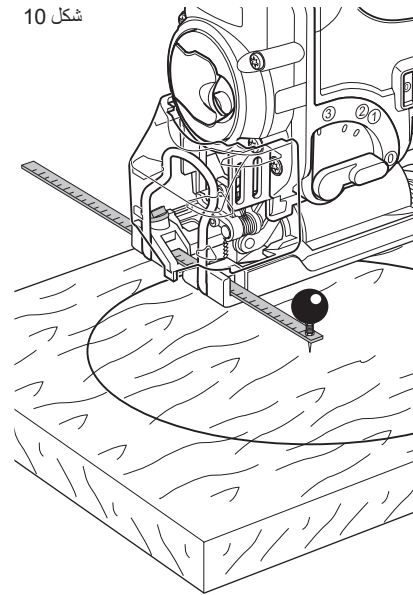


Figure 11  
شكل 11

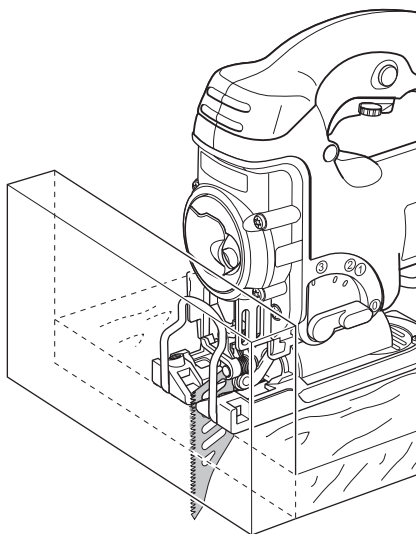
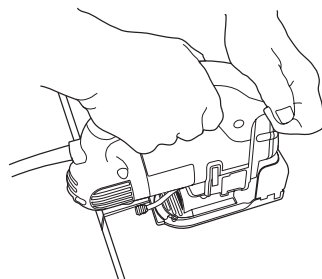


Figure 12  
شكل 12



# JIGSAW

## DW331

### Congratulations!

You have chosen a DEWALT tool. Years of experience, thorough product development and innovation make DEWALT one of the most reliable partners for professional power tool users.

### Technical Data

		DW331
Voltage	$V_{AC}$	220–240 120
Type		2
Power input	W	701
Power output	W	425
No-load speed	$\text{min}^{-1}$	0–3100
Stroke length	mm	26
Cutting depth in:		
wood	mm	130
aluminium	mm	30
steel	mm	12
stainless steel alloy	mm	4.5
Bevel angle adjustment (l/r)		0–45°
Weight	kg	2.6

### Definitions: Safety Guidelines

The definitions below describe the level of severity for each signal word. Please read the manual and pay attention to these symbols.



**DANGER:** Indicates an imminently hazardous situation which, if not avoided, **will** result in **death or serious injury**.



**WARNING:** Indicates a potentially hazardous situation which, if not avoided, **could** result in **death or serious injury**.



**CAUTION:** Indicates a potentially hazardous situation which, if not avoided, **may** result in **minor or moderate injury**.

**NOTICE:** Indicates a practice **not related to personal injury** which, if not avoided, **may** result in **property damage**.



Denotes risk of electric shock.



Denotes risk of fire.



**WARNING:** To reduce the risk of injury, read the instruction manual.

### General Power Tool Safety Warnings



**WARNING! Read all safety warnings and all instructions.** Failure to follow the warnings and instructions may result in electric shock, fire and/or serious injury.

#### SAVE ALL WARNINGS AND INSTRUCTIONS FOR FUTURE REFERENCE

The term “power tool” in the warnings refers to your mains-operated (corded) power tool or battery-operated (cordless) power tool.

#### 1) WORK AREA SAFETY

- Keep work area clean and well lit.** Cluttered or dark areas invite accidents.
- Do not operate power tools in explosive atmospheres, such as in the presence of flammable liquids, gases or dust.** Power tools create sparks which may ignite the dust or fumes.
- Keep children and bystanders away while operating a power tool.** Distractions can cause you to lose control.

#### 2) ELECTRICAL SAFETY

- Power tool plugs must match the outlet. Never modify the plug in any way. Do not use any adapter plugs with earthed (grounded) power tools.** Unmodified plugs and matching outlets will reduce risk of electric shock.
- Avoid body contact with earthed or grounded surfaces such as pipes, radiators, ranges and refrigerators.** There is an increased risk of electric shock if your body is earthed or grounded.
- Do not expose power tools to rain or wet conditions.** Water entering a power tool will increase the risk of electric shock.
- Do not abuse the cord. Never use the cord for carrying, pulling or unplugging the power tool. Keep cord away from heat, oil, sharp edges or moving parts.** Damaged or entangled cords increase the risk of electric shock.
- When operating a power tool outdoors, use an extension cord suitable for outdoor use.** Use of a cord suitable for outdoor use reduces the risk of electric shock.

- f) **If operating a power tool in a damp location is unavoidable, use a residual current device (RCD) protected supply.** Use of an RCD reduces the risk of electric shock.

**3) PERSONAL SAFETY**

- a) **Stay alert, watch what you are doing and use common sense when operating a power tool. Do not use a power tool while you are tired or under the influence of drugs, alcohol or medication.** A moment of inattention while operating power tools may result in serious personal injury.
- b) **Use personal protective equipment. Always wear eye protection.** Protective equipment such as dust mask, non-skid safety shoes, hard hat, or hearing protection used for appropriate conditions will reduce personal injuries.
- c) **Prevent unintentional starting. Ensure the switch is in the off position before connecting to power source and/or battery pack, picking up or carrying the tool.** Carrying power tools with your finger on the switch or energising power tools that have the switch on invites accidents.
- d) **Remove any adjusting key or wrench before turning the power tool on.** A wrench or a key left attached to a rotating part of the power tool may result in personal injury.
- e) **Do not overreach. Keep proper footing and balance at all times.** This enables better control of the power tool in unexpected situations.
- f) **Dress properly. Do not wear loose clothing or jewellery. Keep your hair, clothing and gloves away from moving parts.** Loose clothes, jewellery or long hair can be caught in moving parts.
- g) **If devices are provided for the connection of dust extraction and collection facilities, ensure these are connected and properly used.** Use of dust collection can reduce dust-related hazards.

**4) POWER TOOL USE AND CARE**

- a) **Do not force the power tool. Use the correct power tool for your application.** The correct power tool will do the job better and safer at the rate for which it was designed.
- b) **Do not use the power tool if the switch does not turn it on and off.** Any power tool that cannot be controlled with the switch is dangerous and must be repaired.

- c) **Disconnect the plug from the power source and/or the battery pack from the power tool before making any adjustments, changing accessories, or storing power tools.** Such preventive safety measures reduce the risk of starting the power tool accidentally.
- d) **Store idle power tools out of the reach of children and do not allow persons unfamiliar with the power tool or these instructions to operate the power tool.** Power tools are dangerous in the hands of untrained users.
- e) **Maintain power tools. Check for misalignment or binding of moving parts, breakage of parts and any other condition that may affect the power tool's operation. If damaged, have the power tool repaired before use.** Many accidents are caused by poorly maintained power tools.
- f) **Keep cutting tools sharp and clean.** Properly maintained cutting tools with sharp cutting edges are less likely to bind and are easier to control.
- g) **Use the power tool, accessories and tool bits etc., in accordance with these instructions taking into account the working conditions and the work to be performed.** Use of the power tool for operations different from those intended could result in a hazardous situation.

**5) SERVICE**

- a) **Have your power tool serviced by a qualified repair person using only identical replacement parts.** This will ensure that the safety of the power tool is maintained.

**Additional Specific Safety Rules for Jigsaws**

- **Hold power tools by insulated gripping surfaces when performing an operation where the cutting tool may contact hidden wiring or its own cord.** Cutting accessory contacting a "live" wire may make exposed metal parts of the tool "live" and shock the operator.
- **Allow the motor to come to a complete stop before withdrawing the blade from the kerf (the slot created by cutting).** A moving blade may impact the workpiece causing a broken blade, workpiece damage or loss of control and possible personal injury.
- **Keep handles dry, clean, free from oil and grease.** This will enable better control of the tool.



- **Keep blades sharp.** Dull blades may cause the saw to swerve or stall under pressure.
- **Clean out your tool often, especially after heavy use.** Dust and grit containing metal particles often accumulate on interior surfaces and could create an electric shock hazard.
- **Do not operate this tool for long periods of time.** Vibration caused by the operating action of this tool may cause permanent injury to fingers, hands, and arms. Use gloves to provide extra cushion, take frequent rest periods, and limit daily time of use.

## Residual Risks

In spite of the application of the relevant safety regulations and the implementation of safety devices, certain residual risks cannot be avoided. These are:

- Impairment of hearing
- Risk of personal injury due flying particles.
- Risk of burns due to accessories becoming hot during operation.
- Risk of personal injury due to prolonged use.

## Markings on Tool

The following pictograms are shown on the tool:



Read instruction manual before use.



Wear ear protection.



Wear eye protection.

## DATE CODE POSITION (FIG. 1)

The Date Code (u), which also includes the year of manufacture, is printed into the housing.

Example:

2016 XX XX

Year of Manufacture

## Package Contents

The package contains:

- 1 Jigsaw
- 1 Jig saw blade
- 1 Anti-splinter shoe insert
- 1 Anti-scratch shoe cover
- 1 Dust extraction shroud

- 1 Dust extraction adapter
  - 1 Kitbox
  - 1 Instruction manual
- Check for damage to the tool, parts or accessories which may have occurred during transport.
  - Take the time to thoroughly read and understand this manual prior to operation.

## Description (fig. 1)



**WARNING:** Never modify the power tool or any part of it. Damage or personal injury could result.

- On/off switch
- Lock-on button
- Speed control dial
- Sawdust blower control
- Blade latch
- Finger guard
- Blade holder
- Guide roller
- Shoe
- Pendulum stroke selector
- Shoe lever

## INTENDED USE

Your jig saw has been designed for professional cutting of wood, steel, aluminium, plastic and ceramic material.

**DO NOT** use under wet conditions or in presence of flammable liquids or gases.

These jigsaws are professional power tools. **DO NOT** let children come into contact with the tool. Supervision is required when inexperienced operators use this tool.

- This product is not intended for use by persons (including children) suffering from diminished physical, sensory or mental abilities; lack of experience, knowledge or skills unless they are supervised by a person responsible for their safety. Children should never be left alone with this product.

## Electrical Safety

The electric motor has been designed for one voltage only. Always check that the power supply corresponds to the voltage on the rating plate.



Your DEWALT tool is double insulated in accordance with EN 60745; therefore no earth wire is required.



**WARNING:** 120 V units have to be operated via a fail-safe isolating transformer with an earth screen between the primary and secondary winding.

If the supply cord is damaged, it must be replaced by a specially prepared cord available through the DEWALT service organisation.

## Mains Plug Replacement (Middle East and Africa)

If a new mains plug needs to be fitted:

- Safely dispose of the old plug.
- Connect the brown lead to the live terminal in the plug.
- Connect the blue lead to the neutral terminal.



**WARNING:** No connection is to be made to the earth terminal.

Follow the fitting instructions supplied with good quality plugs. Recommended fuse: 13 A.

## Using an Extension Cable

If an extension cable is required, use an approved extension cable suitable for the power input of this tool (see **Technical Data**). The minimum conductor size is 1 mm<sup>2</sup>; the maximum length is 30 m.

When using a cable reel, always unwind the cable completely.

## ASSEMBLY AND ADJUSTMENTS



**WARNING:** To reduce the risk of injury, turn unit off and disconnect machine from power source before installing and removing accessories, before adjusting or changing set-ups or when making repairs. Be sure the trigger switch is in the OFF position. An accidental start-up can cause injury.

## Fitting And Removing A Saw Blade (fig. 2)

The tool-free blade exchange system ensures quick and easy changing of saw blades.

1. Open the blade holder (g) by fully retracting the blade latch (e).

2. Insert the saw blade into the blade holder (g) guiding the back of the blade into the groove of the guide roller (h).
3. Release the blade latch (e).
4. To remove the saw blade, fully retract the blade latch and pull the blade out of the holder.

### SAW BLADES

Blade type	Applications
Fine-toothed cutting blade	for smooth straight cuts
Coarse-toothed cutting blade	for fast straight cuts
Metal cutting blade	for ferrous and non-ferrous metals
Flush cutting blade*	for finishing off cuts up to a wall or edge.

\* Not available in all countries.

A wide variety of dedicated saw blades is available as an option.



**WARNING:** Always select your saw blade with great care.

## Setting the bevel angle (fig. 3)

The adjustable shoe (i) allows cutting of LH and RH bevel angles up to 45°. The bevel scale has preset positions at 0°, 15°, 30° and 45°.

1. Release the shoe lever (k).
2. Slide the shoe (i) toward the saw blade.
3. Tilt the shoe and set the desired bevel angle using the scale.
4. Tighten the shoe lever.

## Setting The Pendulum Stroke (fig. 1)

The adjustable pendulum stroke guarantees a perfect cutting stroke for different materials.

Slide the selector (j) to the desired position referring to the table below. The selector can be manipulated during operation.

Pos.	Wood	Metal	Plastics
3	Fast cuts	-	PVC
2	Thick workpieces	-	Fibreglass Acrylic
1	Plywood Chipboard	Aluminium Non-ferrous	-
0	Thin workpieces Fine cuts	Sheet metal	-

## Setting The Sawdust Blower (fig. 1)

The sawdust blower conducts an adjustable stream of air to the saw blade to keep the workpiece clear of sawdust during operation.

Set the sawdust blower using the lever (d).

Low	For working with metals, when using coolants and lubricants and for use with dust extraction.
Intermediate	For working with wood and similar materials in low speed.
High	For working with wood and similar materials in high speed.

## Mounting The Plastic Anti-Scratch Shoe Cover (fig. 4)

The anti-scratch shoe cover (l) reduces damage to the surface of (sensitive) workpieces.

Click the cover onto the shoe as shown.

## Mounting And Removing The Anti-Splinter Shoe Insert (fig. 5, 6)

The anti-splinter shoe insert (m) which fits close to the saw blade reduces splintering of the workpiece. The insert can be mounted both into the shoe and the shoe cover.

1. Hold the insert (m) in the orientation as shown.
2. To mount the insert into the shoe (i):
  - a. Slide the edges (n) into the grooves (o).
  - b. Slide the insert back into position against the shoe.
3. To mount the insert into the cover (l):
  - a. Slide the edges (n) behind the ribs (p).
  - b. Push the front end of the insert towards the cover. The insert snaps into place.
4. To remove the anti-splinter shoe insert do the above process in reverse order.

## Dust Extraction (fig. 7)

The dust extraction adaptor (q) in combination with the dust extraction shroud (r) helps extracting the dust from the workpiece surface, when connected to a suitable dust extraction system.

1. Place the dust extraction shroud (r) onto the finger guard (f) until it clicks in place.
2. Fit the dust extraction adaptor (q) to the tool as shown.

3. Connect the hose of a suitable dust extraction system to the adaptor.



**WARNING:** When appropriate, connect a dust extraction system designed in compliance with the applicable directives regarding dust emission.



**WARNING:** Do not use a dust extraction system without proper spark protection when sawing metal.

## OPERATION

### Instructions for Use



**WARNING:** Always observe the safety instructions and applicable regulations.



**WARNING:** To reduce the risk of serious personal injury, turn tool off and disconnect tool from power source before making any adjustments or removing/installing attachments or accessories.



**WARNING:**

- Make sure your workpiece is well secured. Remove nails, screws and other fasteners that may damage the blade.
- Check that there is sufficient space for the blade underneath the workpiece. Do not cut materials that exceed the maximum cutting depth of the blade.
- Use sharp saw blades only. Damaged or bent saw blades must be removed immediately.
- Do not use the tool for sawing pipes or tubes.
- Never run your tool without a saw blade.
- For optimal results, move the tool smoothly and constantly over the workpiece. Do not exert lateral pressure on the saw blade. Keep the shoe flat on the workpiece and lead the cord away in line with the tool. When sawing curves, circles or other round shapes, push the tool gently forward.
- Wait until the tool has come to a standstill before removing the saw blade from the workpiece. After sawing the blade may be very hot. Do not touch.

## Proper Hand Position (fig. 1, 12)



**WARNING:** To reduce the risk of serious personal injury, **ALWAYS** use proper hand position as shown.



**WARNING:** To reduce the risk of serious personal injury, **ALWAYS** hold securely in anticipation of a sudden reaction.

Proper hand position requires one hand on the front handle (t), with the other hand on the main handle (s).

## Switching On And Off (fig. 1)

1. To run the tool, press the on/off switch (a).
2. For continuous operation, press and hold down the switch (a), press the lock-on button (b) and release the switch.
3. To stop the tool, release the switch.
4. To stop the tool in continuous operation, press the switch briefly and release it. Always switch off the tool when work is finished and before unplugging.

## Setting The Electronic Sawing Speed (fig. 8)

The sawing speed varies with the pressure exerted on the on/off switch (a).

1. To preset the sawing speed, turn the control dial (c) to the desired level. The higher the rate, the higher the sawing speed. The required setting depends on the thickness and kind of material.
2. Use high speeds for sawing soft materials such as wood. Use low speeds for sawing metal.



**WARNING:** After using the tool for an extended period on low speed settings, run it for approx. 3 minutes on maximum no-load speed.

## Sawing In Wood (fig. 9)

- If necessary, draw a cutting line.
- Switch the tool on.
- Hold the tool against the workpiece and follow the line.
- For sawing parallel to the edge of your workpiece, install the parallel fence and guide your jigsaw along the workpiece as shown in figure 9.

## Sawing In Wood Using A Pilot Hole (fig. 10)

- If necessary, draw a cutting line.
- Drill a hole (ø min. 12 mm) and introduce the saw blade.
- Switch the tool on.
- Follow the line.
- For cutting perfectly round shapes, install the trammel bar and set it to the required radius.

## Sawing up to a projecting edge (fig. 11)

- Using a conventional blade, cut up to the projected edge.
- Finish off the cut using a flush cutting blade.



## Dust Extraction (fig. 7)

When the tool is used indoor for extended periods of time, use a suitable dust extractor designed in compliance with the applicable Directives regarding dust emission.

## Sawing In Metal

- Mount an appropriate saw blade.
- Proceed as described above.



**WARNING:** Use a cooling lubricant (cutting oil) to prevent overheating of the saw blade or the workpiece.

## MAINTENANCE

Your DEWALT power tool has been designed to operate over a long period of time with a minimum of maintenance. Continuous satisfactory operation depends upon proper tool care and regular cleaning.



**WARNING:** To reduce the risk of injury, turn unit off and disconnect machine from power source before installing and removing accessories, before adjusting or changing set-ups or when making repairs. Be sure the trigger switch is in the OFF position. An accidental start-up can cause injury.



## Lubricating The Guide Roller (fig. 2)

Apply a drop of oil to the guide roller (h) at regular intervals to prevent jamming.



## Cleaning



**WARNING:** Blow dirt and dust out of the main housing with dry air as often as dirt is seen collecting in and around the air vents. Wear approved eye protection and approved dust mask when performing this procedure.



**WARNING:** Never use solvents or other harsh chemicals for cleaning the non-metallic parts of the tool. These chemicals may weaken the materials used in these parts. Use a cloth dampened only with water and mild soap. Never let any liquid get inside the tool; never immerse any part of the tool into a liquid.

## Optional Accessories



**WARNING:** Since accessories, other than those offered by DEWALT, have not been tested with this product, use of such accessories with this tool could be hazardous. To reduce the risk of injury, only DEWALT recommended accessories should be used with this product.

Consult your dealer for further information on the appropriate accessories.

These include:

DE3241	Parallel guide
DE3242	Trammel bar

The following replacement blades are available:

DT2048	Fine toothed cutting blade
DT2075	Coarse toothed cutting blade
DT2160	Metal cutting blade
DT2074	Flush cutting blade*

\* Not available in all countries.

## Protecting the Environment



Separate collection. This product must not be disposed of with normal household waste.

Should you find one day that your DEWALT product needs replacement, or if it is of no further use to you, do not dispose of it with household waste. Make this product available for separate collection.



Separate collection of used products and packaging allows materials to be recycled and used again. Re-use of recycled materials helps prevent environmental pollution and reduces the demand for raw materials.

Local regulations may provide for separate collection of electrical products from the household, at municipal waste sites or by the retailer when you purchase a new product.

DEWALT provides a facility for the collection and recycling of DEWALT products once they have reached the end of their working life. To take advantage of this service please return your product to any authorised repair agent who will collect them on our behalf.

You can check the location of your nearest authorised repair agent by contacting your local DEWALT office at the address indicated in this manual. Alternatively, a list of authorised DEWALT repair agents and full details of our after-sales service and contacts are available on the Internet at: [www.2helpU.com](http://www.2helpU.com).

# SCIE SAUTEUSE DW331

## Félicitations !

Vous avez choisi un outil DEWALT. Des années d'expertise dans le développement et l'innovation de ses produits ont fait de DEWALT, le partenaire privilégié des utilisateurs professionnels d'outils électriques.

## Caractéristiques techniques

		DW331
Tension	V <sub>AC</sub>	220–240 120
Type		2
Puissance absorbée	W	701
Puissance utile	W	425
Vitesse à vide	min <sup>-1</sup>	0–3100
Longueur de la course	mm	26
Profondeur de coupe de :		
bois	mm	130
aluminium	mm	30
acier	mm	12
acier inoxydable	mm	4,5
Réglage de l'angle du chanfrein (d/g)		0–45°
Poids	kg	2,6

## Définitions : consignes de sécurité

Les définitions ci-après décrivent le degré de risques associé à chaque balise. Lire soigneusement la notice d'instructions et respecter ces symboles.



**DANGER** : indique une situation de danger imminent qui, si rien n'est fait pour l'éviter, **aura** comme conséquences la **mort ou des dommages corporels graves**.



**AVERTISSEMENT** : indique une situation de danger potentiel qui, si rien n'est fait pour l'éviter, **pourra** avoir comme conséquences la **mort ou des dommages corporels graves**.



**ATTENTION** : indique une situation de danger potentiel qui, si rien n'est fait pour l'éviter, **pourrait** avoir comme conséquences des **dommages corporels mineurs ou moindres**.

**AVIS** : indique une pratique ne **posant aucun risque de dommages corporels**, mais qui par contre, si rien

n'est fait pour l'éviter, **pourrait** poser des **risques de dommages matériels**.



Indique des risques de décharges électriques.



Indique des risques d'incendie.



**AVERTISSEMENT** : pour réduire tout risque de dommages corporels, lire la notice d'instructions

## Consignes de sécurité générales propres aux outils électriques



**AVERTISSEMENT ! lire toutes les directives et consignes de sécurité.** Tout manquement aux directives et consignes ci-incluses comporte des risques de décharges électriques, d'incendie et/ou de dommages corporels graves.

### CONSERVER TOUTES CES DIRECTIVES ET CONSIGNES À TITRE DE RÉFÉRENCE

Le terme « outil électrique » mentionné dans les avertissements ci-après se rapporte aux outils alimentés sur secteur (avec fil) ou par piles (sans fil).

#### 1) SÉCURITÉ – AIRE DE TRAVAIL

- Maintenir l'aire de travail propre et bien éclairée.** Les lieux sombres ou encombrés sont propices aux accidents.
- Ne pas utiliser un outil électrique dans un milieu déflagrant, comme en présence de liquides, gaz ou poussières inflammables.** Les outils électriques peuvent produire des étincelles qui pourraient enflammer toute émanation ou poussière ambiante.
- Maintenir à l'écart les enfants, ou toute autre personne, lors de l'utilisation d'un outil électrique.** Toute distraction pourrait faire perdre la maîtrise de l'appareil.

#### 2) SÉCURITÉ – ÉLECTRICITÉ

- La fiche électrique de l'outil doit correspondre à la prise murale. Ne modifier la fiche en aucune façon. Ne pas utiliser de fiche d'adaptation avec un outil électrique mis à la terre (masse).** L'utilisation de fiches d'origine et de prises appropriées réduira tout risque de décharges électriques.



- b) **Éviter tout contact corporel avec des éléments mis à la terre comme : tuyaux, radiateurs, cuisinières ou réfrigérateurs.** Les risques de décharges électriques augmentent lorsque le corps est mis à la terre.
  - c) **Ne pas exposer les outils électriques à la pluie ou à l'humidité.** Tout contact d'un outil électrique avec un liquide augmente les risques de décharges électriques.
  - d) **Ne pas utiliser le cordon de façon abusive. Ne jamais utiliser le cordon pour transporter, tirer ou débrancher un outil électrique. Protéger le cordon de toute source de chaleur, de l'huile, et de tout bord tranchant ou pièce mobile.** Les cordons endommagés ou emmêlés augmentent les risques de décharges électriques.
  - e) **En cas d'utilisation d'un outil électrique à l'extérieur, utiliser systématiquement une rallonge conçue à cet effet.** Cela diminuera tout risque de décharges électriques.
  - f) **Si on ne peut éviter d'utiliser un outil électrique en milieu humide, utiliser un circuit protégé par un dispositif de courant résiduel (RCD).** Cela réduira tout risque de décharges électriques.
- pièce rotative d'un outil électrique comporte des risques de dommages corporels.
- e) **Adopter une position stable. Maintenir les pieds bien ancrés au sol et conserver son équilibre en permanence.** Cela permettra de mieux maîtriser l'outil électrique en cas de situations imprévues.
  - f) **Porter des vêtements appropriés. Ne porter aucun vêtement ample ou bijou. Maintenir cheveux, vêtements et gants à l'écart des pièces mobiles, car ils pourraient s'y faire prendre.**
  - g) **Lorsqu'un dispositif de connexion à un système de dé poussière ou d'élimination est fourni, s'assurer qu'il est branché et utilisé correctement.** L'utilisation de ces dispositifs peut réduire les risques engendrés par les poussières.

#### 4) UTILISATION ET ENTRETIEN DES OUTILS ÉLECTRIQUES

### 3) SÉCURITÉ INDIVIDUELLE

- a) **Rester systématiquement vigilant et faire preuve de jugement lorsqu'on utilise un outil électrique. Ne pas utiliser d'outil électrique en cas de fatigue ou sous l'influence de drogues, d'alcool ou de médicaments.** Tout moment d'inattention pendant l'utilisation d'un outil électrique comporte des risques de dommages corporels graves.
  - b) **Porter un équipement de protection individuel. Porter systématiquement un dispositif de protection oculaire.** Le fait de porter un masque anti-poussières, des chaussures antidérapantes, un casque de sécurité ou un dispositif de protection auditive, lorsque la situation le requiert, réduira les risques de dommages corporels.
  - c) **Prévenir tout démarrage accidentel. S'assurer que l'interrupteur est en position d'arrêt avant de brancher l'outil sur le secteur et/ou à la batterie, ou de le ramasser ou le transporter.** Transporter un outil le doigt sur l'interrupteur ou brancher un outil électrique alors que l'interrupteur est en position de marche invite les accidents.
  - d) **Retirer toute clé de réglage avant de démarrer l'outil.** Une clé laissée sur une
- a) **Ne pas forcer un outil électrique. Utiliser l'outil approprié au travail en cours.** L'outil approprié effectuera un meilleur travail, de façon plus sûre et à la vitesse pour laquelle il a été conçu.
  - b) **Ne pas utiliser un outil électrique dont l'interrupteur est défectueux.** Tout appareil dont l'interrupteur est défectueux est dangereux et doit être réparé.
  - c) **Débrancher la fiche du secteur et/ou la batterie de l'outil électrique avant d'effectuer tout réglage, de changer tout accessoire, ou avant de le ranger.** Ces mesures préventives réduiront tout risque de démarrage accidentel de l'appareil.
  - d) **Après utilisation, ranger les outils électriques hors de portée des enfants et ne permettre à aucune personne non familière avec son fonctionnement (ou sa notice d'instructions) de l'utiliser.** Les outils peuvent être dangereux entre des mains inexpérimentées.
  - e) **Entretenir les outils électriques. Vérifier les pièces mobiles pour s'assurer qu'elles sont bien alignées et tournent librement, qu'elles sont en bon état et ne sont affectées d'aucune condition susceptible de nuire au bon fonctionnement de l'outil. En cas de dommage, faire réparer l'outil électrique avant toute nouvelle utilisation.** De nombreux accidents sont causés par des outils mal entretenus.
  - f) **Maintenir tout organe de coupe propre et bien affûté.** Les outils de coupe bien entretenus et affûtés sont moins susceptibles de se coincer et sont plus faciles à contrôler.

- g) **Utiliser un outil électrique, ses accessoires, mâches, etc., conformément aux présentes directives et suivant la manière prévue pour ce type particulier d'outil électrique, en tenant compte des conditions de travail et de la tâche à effectuer.** L'utilisation d'un outil électrique à des fins autres que celles prévues est potentiellement dangereuse.

## 5) RÉPARATION

- a) **Faire entretenir les outils électriques par un réparateur qualifié en n'utilisant que des pièces de rechange identiques.** Cela permettra de préserver l'intégrité de l'outil électrique et la sécurité de l'utilisateur.

## Consignes de sécurité additionnelles pour scies sauteuses

- **Tenir l'outil par les surfaces isolées prévues à cet effet pendant toute utilisation où l'outil de coupe pourrait entrer en contact avec des fils électriques cachés ou son propre cordon.** Tout contact de l'organe de coupe avec un fil sous tension met les parties métalliques exposées de l'outil sous tension et électrocute l'utilisateur.
- **Laisser le moteur s'immobiliser complètement avant de retirer la lame de la fente (crée par la coupe).** Une lame en mouvement peut toucher l'ouvrage et se casser, causer des dégâts à l'ouvrage ou une perte de contrôle et d'éventuelles blessures.
- **Tenir les poignées sèches, propres, exemptes d'huile et de graisse.** Cela permettra un meilleur contrôle de l'outil.
- **Maintenir les lames bien affûtées.** Les lames émoussées peuvent faire dévier ou bloquer la lame sous la pression.
- **Nettoyer souvent l'outil, en particulier après une utilisation intensive.** La poussière et le sable contenant des particules de métal s'accumulent souvent sur les surfaces internes et peuvent créer un risque de choc électrique.
- **Ne pas utiliser cet outil trop longtemps sans interruption.** Les vibrations causées par l'utilisation de cet outil peuvent causer des blessures permanentes aux doigts, aux mains et aux bras. Utiliser des gants pour une meilleure protection, effectuer des pauses fréquentes et limiter l'utilisation quotidienne.

## Risques résiduels

En dépit de l'application des normes de sécurité en vigueur et de l'installation de dispositifs de sécurité, certains risques résiduels sont inévitables. Il s'agit de :

- Diminution de l'acuité auditive
- Risques de dommages corporels dus à des projections de particules.
- Risques de brûlures provoquées par des accessoires ayant surchauffé pendant leur fonctionnement.
- Risques de dommages corporels dus à un usage prolongé.

## Étiquettes sur l'appareil

On trouve les diagrammes suivants sur l'outil :



Lire la notice d'instructions avant toute utilisation.



Porter un dispositif de protection auditive.



Porter un dispositif de protection oculaire.

## EMPLACEMENT DE LA DATE CODÉE DE FABRICATION (FIG. 1)

La date codée de fabrication (u), qui comprend aussi l'année de fabrication, est imprimée sur le boîtier.

Exemple :

2016 XX XX

Année de fabrication

## Contenu de l'emballage

Ce carton comprend :

- 1 Scie sauteuse
- 1 Lame sauteuse
- 1 Insert de sabot anti-éclat
- 1 Protection de sabot anti-rayure
- 1 Bouclier d'aspiration de poussière
- 1 Adaptateur d'aspiration de poussières
- 1 Coffret de transport
- 1 Notice d'instructions
- Vérifier que l'appareil et ses pièces ou accessoires n'ont pas été endommagés lors du transport.



- Prendre le temps de lire attentivement et comprendre cette notice d'instructions avant toute utilisation de l'appareil.

## Description (fig. 1)



**AVERTISSEMENT** : ne jamais modifier l'outil électrique ni aucun de ses composants. Il y a risques de dommages corporels ou matériels.

- Interrupteur marche/arrêt
- Bouton de verrouillage
- Régulateur de vitesse
- Commande de soufflerie de la sciure
- Verrou de lame
- Protection digitale
- Porte-lame
- Galet-guide
- Semelle
- Sélecteur de course du balancier
- Levier de sabot

## USAGE PRÉVU

Votre scie sauteuse a été conçue pour la coupe professionnelle du bois, de l'acier, de l'aluminium, du plastique et de la céramique.

**NE PAS** utiliser ces outils en milieu ambiant humide ou en présence de liquides ou de gaz inflammables.

Ces scies sauteuses sont des outils électriques professionnels. **NE PAS** le laisser à la portée des enfants. Une supervision est nécessaire auprès de tout utilisateur non expérimenté.

- Ce produit n'est pas prévu pour être utilisé par des personnes (y compris les enfants) dont les capacités physiques, sensorielles ou mentales sont réduites ou qui manquent d'expérience ou d'aptitudes, sauf si ces personnes sont surveillées par une autre personne responsable de leur sécurité. Ne jamais laisser les enfants seuls avec ce produit.

## Sécurité électrique

Le moteur électrique a été conçu pour fonctionner sur une tension unique. Vérifier systématiquement que la tension du secteur correspond bien à la tension indiquée sur la plaque signalétique.



Votre outil DEWALT à double isolation est conforme à la norme EN 60745 ; un branchement à la terre n'est donc pas nécessaire.



**AVERTISSEMENT** : les appareils à 120 V doivent être utilisés avec des transformateurs d'isolation à l'épreuve des pannes doté d'un écran de terre entre l'enroulement primaire et secondaire.

## Remplacement de la fiche d'alimentation (Moyen-Orient et Afrique)

Si une nouvelle fiche d'alimentation doit être montée :

- Mettre soigneusement au rebut l'ancienne fiche.
- Raccorder le fil marron à la borne de phase dans la fiche.
- Raccorder le fil bleu à la borne de neutre.



**AVERTISSEMENT** : aucun branchement ne doit être fait à la borne de terre.

Suivez les instructions de montage fournies avec des fiches de bonne qualité. Fusible recommandé : 13 A.

## Utilisation d'une rallonge

Si une rallonge s'avère nécessaire, utiliser une rallonge homologuée et compatible avec la tension nominale de cet outil (se reporter à la section **Caractéristiques techniques**). La section minimale du conducteur est de 1 mm<sup>2</sup> pour une longueur maximale de 30 m.

En cas d'utilisation d'un dévidoir, dérouler systématiquement le câble sur toute sa longueur.

## MONTAGE ET RÉGLAGES



**AVERTISSEMENT** : pour réduire tout risque de dommages corporels, arrêter l'outil et débrancher l'appareil du secteur avant d'installer ou de retirer tout accessoire, avant tout réglage ou changement de configuration ou lors de réparations. S'assurer que la gâchette est bien en position d'ARRÊT. Tout démarrage accidentel pourrait causer des dommages corporels.

## Retrait et montage de la lame de sciage (fig. 2)

Le système de remplacement de lames sans outil garantit un changement de lames rapide et simple.

## FRANÇAIS

1. Ouvrez le porte-lame (g) en rétractant complètement le verrou de lame (e).
2. Insérez la lame dans le porte-lame (g) en guidant l'arrière de la lame dans la fente du galet-guide (h).
3. Relâchez le verrou de lame (e).
4. Pour retirer la lame, rétractez complètement son verrou et tirez la lame hors du porte-lame.

### LAMES DE SCIE

Type de lame	Applications
Lame de coupe finement dentée	pour les découpes droites propres
Lame de coupe grossièrement dentée	pour les découpes droites rapides
Lame de découpe	pour les métaux, ferreux ou non de métal
Lame de coupe à ras*	pour les finitions de coupe contre un mur ou en angle.

\* Pas disponible dans tous les pays.

Toute une gamme de lames de sciage sont disponibles en option.



**AVERTISSEMENT** : Prenez toujours beaucoup de soin lors du choix de la lame.

### Réglage de l'angle du chanfrein (fig. 3)

Le sabot réglable (i) permet des angles de coupe à droite comme à gauche jusqu'à 45°. La graduation du chanfrein propose des angles préréglés de 0°, 15°, 30° et 45°.

1. Relâchez le levier du sabot (k).
2. Faites glisser le sabot (i) vers la lame.
3. Faites basculer le sabot et réglez l'angle du chanfrein à l'aide de la graduation.
4. Serrez le levier du sabot.

### Réglage de la course du balancier (fig. 1)

La course réglable du balancier garantit une course de coupe parfaite pour différents matériaux.

Positionnez le sélecteur (j) à la position désirée en vous référant au tableau suivant. Le sélecteur peut être réglé en cours d'utilisation.

Pos.	Bois	Métal	Plastiques
3	Coupe rapide	-	PVC
2	Pièces épaisses	-	Fibre de verre Acrylique
1	Contreplaqué Aggloméré	Aluminium Non ferreux	-
0	Pièces fines Coupe fine	Feuilles de métal	-

### Réglage de la soufflerie de sciure (fig. 1)

La soufflerie de sciure conduit un flux d'air réglable sur la lame afin que la pièce travaillée reste libre de toute sciure durant la coupe.

Réglez la soufflerie de sciure à l'aide du levier (d).

Bas	Pour le travail des métaux, en utilisant des liquides de refroidissement et de lubrification et pour l'extraction de poussière.
Intermédiaire	Pour le travail du bois et des matériaux similaires à faible vitesse.
Haut	Pour le travail du bois et des matériaux similaires à vitesse accélérée.

### Montage de la protection de sabot anti-rayure plastique (fig. 4)

La protection de sabot anti-rayure (l) réduit les dégâts sur la surface (sensible) des pièces travaillées.

Engagez la protection sur le sabot comme indiqué.

### Montage et dépose de l'insert de sabot anti-éclat (fig. 5, 6)

L'insert de sabot anti-éclat (m), monté au ras de la lame réduit les éclats de la pièce travaillée.

L'insert peut être monté à la fois sur le sabot et sur la protection de sabot.

1. Maintenez l'insert (m) selon l'orientation indiquée.
2. Afin de monter l'insert sur le sabot (i) :
  - a. Faites glisser les bords (n) dans les encoches (o).
  - b. Ramenez l'insert en position en le glissant contre le sabot.
3. Afin de monter l'insert sur la protection (l) :

- a. Faites glisser les bords (n) derrière les nervures (p).
  - b. Poussez la partie avant de l'insert vers la protection. L'insert s'enclenche.
4. Pour retirer l'insert de sabot anti-éclat, suivez le processus inverse.

## Aspiration de poussière (fig. 7)

L'adaptateur d'extraction de poussière (q) combiné avec le bouclier d'aspiration de poussière (r) permet de retirer la poussière de la surface de la pièce travaillée lorsqu'il est relié à un système d'extraction de poussière adapté.

1. Placez le bouclier d'aspiration de poussière (r) sur la protection digitale (f) afin de l'enclencher.
2. Montez l'adaptateur d'extraction de poussière (q) sur l'outil, comme indiqué.
3. Reliez le flexible d'un système d'extraction de poussière approprié à l'adaptateur.



**AVERTISSEMENT** : dans la mesure du possible, raccordez toujours un système d'extraction de poussière mis au point en conformité avec les directives relatives à l'émission de poussière.



**AVERTISSEMENT** : n'utilisez pas un système d'extraction de poussière lors du sciage de métaux à moins d'utiliser un extincteur d'étincelles.

## FONCTIONNEMENT

### Consignes d'utilisation



**AVERTISSEMENT** : respecter systématiquement les consignes de sécurité et les normes en vigueur.



**AVERTISSEMENT** : pour réduire tout risque de dommages corporels graves, arrêter et débrancher l'outil avant tout réglage ou avant de retirer ou installer toute pièce ou tout accessoire.



- AVERTISSEMENT** :
- Bien fixer la pièce à scier. Avant de scier, éloigner tous les clous et outils métalliques de l'aire de travail.
  - Vérifier qu'il y a un espace suffisant pour la lame sous la pièce. Ne pas couper de matériaux dépassant la profondeur maximum de coupe de la lame.

- Utiliser uniquement des lames de scie solides et en parfait état. Les lames de scie fendues ou voilées doivent être remplacées immédiatement.
- Ne pas sectionner des tubes.
- Ne jamais faire marcher l'outil sans lame de scie dans le porte-lame.
- Pour un résultat parfait, déplacer l'outil en avançant sans à-coups. Ne pas exercer de pression latérale sur la lame de scie. La semelle doit rester bien à plat sur l'ouvrage. Guider le câble de manière à ce qu'il ne puisse jamais être pris sous la lame des scie. Pour scier des formes sinueuses, faire avancer l'outil tout doucement.
- Attendre que l'outil soit complètement immobilisé avant de retirer la lame de scie de l'ouvrage. Après le travail, la lame de scie risque d'être chaude. Ne pas la toucher.

## Position correcte des mains (fig. 1, 12)



**AVERTISSEMENT** : pour réduire tout risque de dommages corporels graves, adopter **SYSTÉMATIQUEMENT** la position des mains illustrée.



**AVERTISSEMENT** : pour réduire tout risque de dommages corporels graves, maintenir fermement et **SYSTÉMATIQUEMENT** l'outil pour anticiper toute réaction soudaine de sa part.

La position correcte des mains nécessite une main sur la poignée frontale (t) avec l'autre main sur la poignée principale (s).

## Mise en marche et arrêt (fig. 1)

1. Pour mettre l'outil en marche, appuyer sur l'interrupteur marche/arrêt (a).
2. Si nécessaire, appuyez sur l'interrupteur (a) et le maintenir dans cette position. Appuyez sur le bouton de verrouillage (b) pour bloquer l'interrupteur et relâchez-le.
3. Pour arrêter l'outil, relâcher l'interrupteur.
4. Si l'interrupteur est bloqué, appuyer brièvement sur l'interrupteur et le relâcher immédiatement. Toujours mettre l'outil à l'arrêt après le travail et avant de débrancher l'outil.

## Réglage de la vitesse de sciage électronique (fig. 8)

La vitesse de sciage varie selon la pression exercée sur l'interrupteur marche/arrêt (a).

1. Pour préréglager la vitesse de sciage, positionnez le régulateur (c) sur le niveau désiré. Plus le chiffre est élevé, plus la vitesse de sciage sera élevée. Le réglage désiré dépend de l'épaisseur et du type de matériau.
2. Utilisez les hautes vitesses pour les matériaux tendres tels que le bois. Utilisez les basses vitesses pour scier le métal.



**AVERTISSEMENT** : après une utilisation prolongée de l'outil à faible vitesse, faites-le tourner environ 3 minutes à vitesse maximum mais sans charge.

## Pour scier le bois (fig. 9)

- Si nécessaire, tracer une ligne de coupe.
- Mettre l'outil en marche.
- Bien maintenir l'outil et suivre la ligne tracée sur l'ouvrage.
- Pour scier parallèlement au bord de la pièce à scier, installer le guide parallèle et guider la scie le long de la pièce comme l'indique la figure 9.

## Pour scier le bois en utilisant un trou guide (fig. 10)

- Si nécessaire, tracer une ligne de coupe.
- Percer un trou ( $\varnothing$  mini. 12 mm) et y introduire la lame de scie.
- Mettre l'outil en marche.
- Suivre la ligne tracée sur l'ouvrage.
- Pour découper des formes circulaires, installer le compas à verge et régler le rayon désiré.

## Sciage jusqu'à une arête vive (fig. 11)

- À l'aide d'une lame conventionnelle, coupez jusqu'à l'arête vive.
- Terminez la coupe à l'aide de la lame de coupe à ras.



## Aspiration de poussière (fig. 7)

Quand l'outil est utilisé à l'intérieur durant une période prolongée, utiliser un système d'aspiration de poussière mis au point en conformité avec les réglementations relatives à l'émission de la poussière.

## Pour scier le métal

- Monter une lame de scie adaptée.
- Procéder comme décrit ci-dessus.



**AVERTISSEMENT** : utiliser un lubrifiant de refroidissement (huile de coupe) pour éviter la surchauffe de la lame de scie et de l'ouvrage.

## MAINTENANCE

Cet outil DEWALT a été conçu pour fonctionner longtemps avec un minimum de maintenance. Le fonctionnement continu et satisfaisant de l'outil dépend d'un entretien adéquat et d'un nettoyage régulier.



**AVERTISSEMENT** : pour réduire tout risque de dommages corporels, arrêter l'outil et débrancher l'appareil du secteur avant d'installer ou de retirer tout accessoire, avant tout réglage ou changement de configuration ou lors de réparations. S'assurer que la gâchette est bien en position d'ARRÊT. Tout démarrage accidentel pourrait causer des dommages corporels.



## Lubrification du galet guide (fig. 2)

Appliquez une goutte d'huile sur le galet-guide (h) à intervalles réguliers pour éviter les blocages.



## Entretien



**AVERTISSEMENT** : éliminer poussière et saleté du boîtier principal à l'aide d'air comprimé chaque fois que les orifices d'aération semblent s'encrasser. Porter systématiquement des lunettes de

protection et un masque anti-poussières homologués au cours de cette procédure.



**AVERTISSEMENT** : ne jamais utiliser de solvants ou tout autre produit chimique décapant pour nettoyer les parties non métalliques de l'outil. Ces produits chimiques pourraient attaquer les matériaux utilisés. Utiliser un chiffon humidifié avec de l'eau et un savon doux. Protéger l'outil de tout liquide et n'immerger aucune de ses pièces dans aucun liquide.

## Accessoires en option



**AVERTISSEMENT** : comme les accessoires autres que ceux offerts par DEWALT n'ont pas été testés avec ce produit, leur utilisation avec cet appareil pourrait être dangereuse. Pour réduire tout risque de dommages corporels, seuls des accessoires DEWALT recommandés doivent être utilisés avec cet appareil.

Veillez consulter votre revendeur pour plus d'informations sur les accessoires appropriés.

Ils comprennent :

- DE3241 Guide parallèle
- DE3242 Barre de compas

Les lames de recharge suivantes sont disponibles :

- DT2048 Lame de coupe finement dentée
- DT2075 Lame de coupe grossièrement dentée
- DT2160 Lame de découpe de métal
- DT2074 Lame de coupe à ras\*

\* Pas disponible dans tous les pays.

## Protection de l'environnement



Collecte sélective. Ne pas jeter ce produit avec les ordures ménagères.



En fin de durée de vie ou d'utilité de votre produit DEWALT, ne pas le jeter avec les ordures ménagères, mais dans les conteneurs de collecte sélective.



La collecte sélective des produits et emballages usagés permet de recycler et réutiliser leurs matériaux. La réutilisation

de matériaux recyclés aide à protéger l'environnement contre la pollution et à réduire la demande en matière première.

Selon les réglementations locales, il peut être offert : service de collecte sélective individuel des produits électriques, ou déchetterie municipale ou collecte sur les lieux d'achat des produits neufs.

DEWALT dispose d'installations pour la collecte et le recyclage des produits DEWALT en fin de vie. Pour profiter de ce service, veuillez rapporter votre produit auprès d'un centre de réparation agréé qui le recyclera en notre nom.

Pour connaître l'adresse d'un centre de réparation agréé près de chez vous, veuillez contacter votre distributeur DEWALT local à l'adresse indiquée dans cette notice d'instructions, ou consulter la liste des centres de réparation agréés DEWALT, l'éventail de notre SAV et tout renseignement complémentaire sur Internet à l'adresse : [www.2helpU.com](http://www.2helpU.com).

### تحذيرات الأمان العامة للأدوات الكهربائية

**تحذير!** تفضل بقراءة جميع تحذيرات الأمان وجميع التعليمات. عدم الالتزام باتباع هذه التحذيرات والتعليمات قد يؤدي إلى حدوث صدمة كهربائية، و/أو نشوب حريق، و/أو إصابة جسيمة.



### احتفظ بجميع التحذيرات والتعليمات من أجل الرجوع إليها في المستقبل

يشير المصطلح "أداة كهربائية" في التحذيرات إلى الأداة الكهربائية التي تعمل بالطاقة الكهربائية (مزودة بسلك كهربائي) أو الأداة الكهربائية التي تعمل بالبطارية (غير مزودة بسلك كهربائي).

#### (1) أمان منطقة العمل

- (أ) احتفظ بمنطقة العمل نظيفة ومضاءة بطريقة جيدة. حيث أن المناطق المتكدسة بغير نظام أو المظلمة تؤدي إلى وقوع الحوادث.
- (ب) لا تقم بتشغيل الأدوات الكهربائية في الأجواء المتفجرة، كأن يوجد بالمكان سوائل أو غازات أو غبار قابل للاشتعال. قد تؤدي الأدوات الكهربائية التي تحدث شرارات في اشتعال الأتربة أو الأبخرة.
- (ج) حافظ على الأطفال والأشخاص المشاهدين بعيداً أثناء تشغيل الأداة الكهربائية. فقد يؤدي تشتت الانتباه إلى فقدان سيطرتك.

#### (2) السلامة الكهربائية

- (أ) يجب أن يتطابق قابس الأداة الكهربائية مع مصدر التيار الكهربائي. لا تقم مطلقاً بإجراء تعديل على القابس بأي طريقة. لا تستخدم قابس المحول مع الأدوات الكهربائية المؤرقة (تم تأريضها). حيث ستقل المقابس غير المعدلة ومصادر التيار الكهربائي المتطابقة من خطر حدوث صدمة كهربائية.
- (ب) تجنب تلامس الجسد مع الأسطح الأرضية أو المؤرقة للأنياب، المشعاع والطاقتات والثلاجات. حيث يوجد خطر متزايد من حدوث صدمة كهربائية إذا كان جسدك مؤرقتاً أو ثابتاً على الأرض.
- (ج) لا تعرض الأدوات الكهربائية للمطر أو البلى. إذ سيؤدي الماء الذي يدخل الأداة الكهربائية إلى زيادة خطر حدوث صدمة كهربائية.
- (د) لا تستخدم الكابل بطريقة خاطئة. لا تستخدم مطلقاً السلك من أجل حمل الأشياء أو سحبها أو لنزع قابس الأداة الكهربائية. أبعد السلك عن الحرارة أو الزيت أو الحواف الحادة أو الأجزاء المتحركة. إذ تزيد الأسلاك التالفة أو المتشابكة من خطر حدوث صدمة كهربائية.
- (هـ) عند تشغيل الأداة الكهربائية خارج المنزل، استخدم سلك استعانة ملائم للاستخدام في الأماكن الخارجية، حيث إن استخدام السلك الملائم للاستخدام الخارجي يقلل من خطر حدوث الصدمة الكهربائية.
- (و) إذا لم يكن بالإمكان تفادي تشغيل الأداة الكهربائية في مكان رطب، فاستخدم مصدر إمداد محمي بجهاز التيار المتبقي (RCD). استخدم جهاز التيار المتبقي يقلل من حدوث الصدمة الكهربائية.

#### (3) السلامة الشخصية

- (أ) ابق متيقظاً وراقب ما تقوم بفعله واستعن بالحواس العامة عند تشغيل الأداة الكهربائية. لا تستخدم الأداة الكهربائية عندما تكون متعباً أو تحت تأثير المخدرات أو الكحول أو الأدوية. قد تؤدي أي لحظة من السهو أثناء تشغيل الأدوات الكهربائية إلى حدوث إصابة جسيمة.
- (ب) استخدم معدات الوقاية الشخصية. قم دوماً بارتداء واقي العينين. إذ أن استخدام معدات الوقاية مثل كمامات الأتربة، وأحذية الأمان المانعة للانزلاق، والخوذة الصلبة، أو واقي الأذن للحالات ذات الصلة يقلل من الإصابات الشخصية.

### تهانينا!

لقد اخترت أداة DEWALT. سنوات الخبرة التي تمتد خلالها عمليات تطوير وابتكار المنتجات تجعل DEWALT من أكثر الشركاء الذين يمكن الاعتماد عليهم بالنسبة لمستخدمي الأدوات الآلية المهنية.

### البيانات الفنية

DW331		
240-220	فولت	الجهد الكهربائي
120	كهر متردد	
2		النوع
701	وات	دخل الطاقة
425	وات	إخراج الطاقة
3100-0	دقيقة <sup>1</sup>	سرعة الاحمل
26	ملم	طول الهزاز
		عمق القص في:
130	ملم	الخشب
30	ملم	الآلمنيوم
12	ملم	الفولاذ
4.5	ملم	سبيكة الفولاذ المقاوم للصدأ
45°-0		ضبط زاوية الميل (يمين/يسار)
2.6	كغم	الوزن

### التعريفات: تعليمات الأمان

تصف التعريفات التالية مستوى أهمية كل كلمة تحذيرية. يرجى قراءة الدليل والانتباه لتلك الرموز.

**خطر:** تشير إلى حالة خطرة وشيكة الوقوع للفاية، وإذا لم يتم تفاديها، **فستؤدي إلى حدوث الوفاة أو الإصابة الجسيمة.**



**تحذير:** تشير إلى حالة خطرة محتملة الوقوع، وإذا لم يتم تفاديها، **فقد يؤدي إلى حدوث الوفاة أو الإصابة الجسيمة.**



**تنبيه:** تشير إلى حالة خطرة محتملة الوقوع، وإذا لم يتم تفاديها، **فقد تؤدي إلى حدوث إصابة بسيطة أو متوسطة.**



**ملاحظة:** تشير إلى ممارسة غير متعلقة بإصابة شخصية إذا لم يتم تفاديها، **فقد تؤدي إلى ضرر الممتلكات.**



تشير إلى خطر حدوث صدمة كهربائية.

تشير إلى خطر نشوب حريق.



**تحذير:** لتقليل خطر حدوث الإصابات، تفضل بقراءة دليل التعليمات.



- دع المحرك يتوقف تماماً قبل سحب الشفرة من القطع (فتحة سببها القطع). قد تؤدي الشفرة المتحركة إلى التأثير على قطعة العمل والتسبب في كسر الشفرة، وقطعة العمل، وتلف أو فقدان التحكم واحتمال التعرض للإصابة الجسدية.
- احتفظ بجفاف المقابض ونظافتها وخلوها من الزيت والشحم. سوف يتيح ذلك تحكماً أفضل في الأداة.
- حافظ على الشفرات حادة. قد تؤدي الشفرات غير الحادة إلى انحراف المنشار أو توقفه تحت الضغط.
- قم بتنظيف الأداة في كثير من الأحيان، خاصةً بعد الاستخدام الكثيف. تتراكم في الغالب الأتربة والحبيبات الرملية التي تحتوي على جسيمات معدنية في الأسطح الداخلية وقد تؤدي إلى وجود خطر الصعق الكهربائي.
- لا تقم بتشغيل هذه الأداة لفترات زمنية طويلة. الانتهاز الناتج عن إجراء تشغيل هذه الوحدة قد يؤدي إلى حدوث إصابة دائمة في الأصابع أو الأيدي والأذراع. استخدم الفقايز لتوفير تلطيف إضافي للصدما، والتمتع بأخذ فترات راحة منتظمة، وتقديري الوقت اليومي للاستخدام.

### المخاطر المتبقية

على الرغم من تطبيق تعليمات السلامة ذات الصلة والتزود بأجهزة الأمان، فلا يمكن تفادي بعض المخاطر المتبقية المحددة، وتشمل هذه المخاطر ما يلي:

- ضعف السمع.
- خطر التعرض للإصابة الشخصية بسبب الجسيمات المتطايرة.
- خطر التعرض للحروق بسبب سخونة الملحقات أثناء التشغيل.
- خطر التعرض للإصابة الشخصية بسبب الاستخدام المطول.

### العلامات على الأداة

الصور التالية موضحة على الأداة:

اقرأ دليل التعليمات قبل الاستخدام.



قم بارتداء واقيات الأذن.



قم بارتداء واقيات العين.



### وضع كود التاريخ (شكل 1)

كود التاريخ (u) الذي يتضمن كذلك عام التصنيع مطبوع في التجويف. مثال:

2016 XX XX  
سنة التصنيع

### محتويات العبوة

تحتوي العبوة على:

- 1 المنشار
- 1 شفرة المنشار
- 1 وليجة النعل المقاوم للشظايا
- 1 غطاء النعل المقاوم للخدوش
- 1 غطاء استخلاص الأتربة
- 1 محول استخلاص الأتربة

- ج) تجنب التشغيل العرضي، تأكد من أن المفتاح في وضع إيقاف التشغيل قبل التوصليل بمصدر الطاقة، و/ أو مجموعة البطارية، أو النطاق أو حمل الأداة. حيث قد يؤدي حمل الأدوات الكهربائية أثناء وجود إصبعك على المفتاح أو إمداد الأدوات الكهربائية التي يكون مفتاحها بوضع التشغيل بالكهرباء إلى وقوع الحوادث.
- د) قم بإخراج أي مفتاح ضبط أو مفتاح ربط قبل تشغيل الأداة الكهربائية. فقد يؤدي ترك مفتاح الربط أو المفتاح بالجزء الدوار بالأداة الكهربائية إلى حدوث إصابة شخصية.
- هـ) تجنب مد يدك بعيداً بالجهاز. حافظ على ثبات موضع قدمك والتوازن طيلة الوقت. إذ يساعد ذلك على التحكم بشكل أفضل في الأداة الكهربائية في المواقف الفجائية.
- و) ارتد ملابس مناسبة. لا تقم بارتداء ملابس أو مجوهرات فضفاضة. أبعاد الشعر والملابس والفقايز عن الأجزاء المتحركة. فقد تحسّر الملابس أو المجوهرات الفضفاضة أو الشعر الطويل في الأجزاء المتحركة.
- ز) في حال توفير الأجهزة للتوصيل بوسائل استخلاص وتجميع الأتربة، فتأكد من توصيلها واستخدامها بطريقة صحيحة. حيث أن تجميع الأتربة قد يؤدي إلى تقليل المخاطر المتعلقة بالأتربة.

### 4) استخدام الأداة الكهربائية والعناية بها

- أ) لا تعامل بالقوة مع الأداة الكهربائية. استخدم الأداة الكهربائية الملائمة لغرض الاستخدام الخاص بك. حيث تستنزج الأداة الكهربائية الملائمة المهمة بشكل أفضل وأكثر أمناً بالمعدل الذي صممت من أجله.
- ب) لا تستخدم الأداة الكهربائية إذا كان المفتاح لا يؤدي إلى التشغيل وإيقاف التشغيل. حيث تشكل أي أداة كهربائية لا يمكن التحكم بها بواسطة المفتاح خطورة ويجب إصلاحها.
- ج) قم بفصل القابس من مصدر الطاقة و/ أو مجموعة البطارية من الأداة الكهربائية قبل إجراء أي عمليات ضبط أو تغيير ملحقات أو تخزين الأدوات الكهربائية. تقلل مثل إجراءات السلامة الوقائية هذه من خطر تشغيل الأداة الكهربائية بشكل فجائي.
- د) قم بتخزين الأدوات الكهربائية المتوقفة عن العمل بعيداً عن متناول الأطفال ولا تدع الأشخاص غير الملمين بالأداة الكهربائية أو بهذه التعليبات يقومون بتشغيل الأداة الكهربائية. إذ تعد الأدوات الكهربائية خطيرة في أيدي المستخدمين غير المدربين على استخدامها.
- هـ) حافظ على الأدوات الكهربائية، احرص للتصري عن أي محاذرة غير صحيحة أو التصادق للأجزاء المتحركة، أو كسر بالأجزاء وأي حالات أخرى قد تؤثر على تشغيل الأداة الكهربائية. وفي حال وجود تلف، قم بإصلاح الأداة الكهربائية قبل الاستخدام. حيث يرجع سبب وقوع العديد من الحوادث إلى الصيانة السيئة للأدوات الكهربائية.
- و) حافظ على أدوات القطع في حالة حادة ونظيفة. حيث أن أدوات القطع التي تتم صيانتها بطريقة صحيحة ومزودة بحواف قطع حادة تتعرض بشكل أقل للتصادق وبسهل التحكم بها على نحو أكبر.
- ز) استخدم الأداة الكهربائية والملحقات ولقم الأداة وما شابه ذلك وفقاً لهذه التعليمات مع الأخذ في الاعتبار ظروف التشغيل والعمل المراد تنفيذه. إذ أن استخدام الأداة الكهربائية لعمليات مختلفة عن تلك العمليات المخصصة لها قد يؤدي إلى حالة خطيرة.

### 5) الخدمة

- أ) قم بصيانة الأداة الكهربائية الخاصة بك على يد فني إصلاح مؤهل وذلك من خلال استخدام أجزاء بديلة متطابقة فقط. حيث سيضمن ذلك الحفاظ على أمان الأداة الكهربائية.

### قواعد الأمان الإضافية الخاصة بالمناشير

- قم بإسماك الأدوات الكهربائية بواسطة أسطح الإسماك المعزولة عند تنفيذ العملية حيث قد تتلاصق مع الأسلاك الخفية أو السلك الخاص بهاء. ملحق القطع المتلاصق مع السلك "النشط" قد يؤدي إلى "تنشيط" الأجزاء المعدنية المكشوفة من الأداة وتعرض المشغل للصعق.



## استبدال قابس التيار الرئيسي (الشرق الأوسط وأفريقيا)

إذا استدعت الضرورة تركيب قابس تيار رئيسي، فقم بالتالي:

- تخلص بأمان من القابس القديم.
- قم بتوصيل السلك البني بطرف التوصيل النشط في القابس.
- قم بتوصيل السلك الأزرق بطرف التوصيل المحايد.

**تحذير:** لا يتم إجراء أي توصيل بطرف التوصيل الأرضي.

قم باتباع التعليمات الواردة مع القوابس ذات الجودة العالية. المنصهر الموصى باستخدامه: 13 أمبير

## استخدام كابل الاستطالة

إذا استدعت الضرورة استخدام كابل الاستطالة، فاستخدم كابل استطالة معتمد ملائم للخلط لهذه الأداة، (انظر البيانات الفنية). حجم الموصل الأدنى هو 1 م<sup>2</sup>، أقصى طول هو 30 م.

عند استخدام بكرة الكابل، قم دومًا بفك الكابل تمامًا.

## عمليات التجميع والضبط

**تحذير:** لخفض خطر التعرض للاصابة، قم بإيقاف تشغيل الوحدة، وفصل الماكينة من مصدر الطاقة قبل تركيب المحلقات وفكها، وقبل ضبط أو تغيير الإعدادات، أو عند إجراء الإصلاحات. تأكد من أن مفتاح التشغيل في وضع OFF (إيقاف التشغيل). فبدء التشغيل العرضي قد يؤدي إلى حدوث إصابة.

## تركيب وإزالة شفرة المنشار (الشكل 2)

يضمن نظام تغيير الشفرة بنون أداة سهولة وسرعة تغيير شفرات المنشار.

1. افتح حامل الشفرة (و) عن طريق سحب مزلاج الشفرة (ه).
2. أدخل شفرة المنشار في حامل الشفرة (و) مع توجيه ظهر الشفرة إلى أخدود البكرة التوجيهية (ح).
3. حرر مزلاج الشفرة (ه).
4. لإزالة شفرة المنشار، اعمل على انكماش مزلاج الشفرة بالكامل، واسحب الشفرة خارج الحامل.

### شفرات المنشار

نوع الشفرات	الاستخدامات
شفرة القطع ذات الأسنان الناعمة	لعمليات القطع المستقيمة السلسة
شفرة القطع ذات الأسنان الخشنة	لعمليات القطع المستقيمة السريعة
شفرة قطع المعادن	للمعادن الحديدية وغير الحديدية
شفرة القطع المسنونة*	لصقل القطع في جدار أو حافة.

\* غير متوفر في جميع البلدان.

وتتوفر مجموعة متنوعة وكبيرة من شفرات المنشار المخصصة كخيار.

**تحذير:** اختر دائمًا شفرة المنشار الخاص بك بعناية فائقة.

## ضبط زاوية الميل (شكل 3)

يتيح النعل القابل للضبط (ط) من قطع زوايا الميل اليسرى واليمنى بمقدار يصل إلى 45 درجة. يوجد مقياس الزاوية عند أوضاع 0، و15، و30، و45 درجة.

1 صندوق الأداة

1 دليل التعليمات

- افحص بحثًا عن التلف بالأداة أو الأجزاء أو الملحقات والذي قد يقع أثناء النقل.
- استغرق الوقت اللازم لقراءة هذا الدليل وفهمه جيدًا قبل التشغيل.

## الوصف (شكل 1)

**تحذير:** لا تقم مطلقًا بتعديل الأداة الكهربائية أو أي جزء منها. فقد يتسبب ذلك التلف أو الإصابة الشخصية.

- أ. مفتاح التشغيل/ إيقاف التشغيل
- ب. مفتاح تشغيل القفل
- ج. قرص التحكم في السرعة
- د. مفتاح التحكم في نافخ النشارة
- هـ. مزلاج الشفرة
- و. واقي الإصبع
- ز. حامل الشفرة
- ح. بكرة توجيهية
- ط. نعل
- ي. محدد طريقة الهزاز
- ك. ذراع النعل

## الاستخدام المقصود

منشار الأركيت الكهربائي الخاص بك مصمم لقطع الأخشاب والصلب والألمنيوم والمواد البلاستيكية والخزفية بطريقة احترافية.

لا تستخدم في ظل الأحوال الجوية الممطرة، أو في وجود السوائل أو الغازات القابلة للاشتعال.

تعد هذه المنائير أدوات كهربائية متقدمة. لا تدع الأطفال يلمسون الأداة. يكون الإشراف أمرًا ضروريًا عند استخدام مشغل قليل الخبرة لهذه الأداة.

- هذا المنتج غير مخصص للاستخدام من قبل الأفراد (بما في ذلك الأطفال) الذين يعانون من قصور في الفترات الجسدية أو الحسية أو العقلية، وقلة الخبرة أو المعرفة أو المهارات ما لم يكونوا تحت إشراف من يتحمل مسؤولية سلامتهم. لا ينبغي أن يُترك الأطفال وحدهم مع هذا المنتج.

## السلامة الكهربائية

تم تصميم المحرك الكهربائي لتحمل جهد كهربائي واحد فقط. تأكد دومًا من أن مصدر إمداد الطاقة مطابق للجهد الكهربائي المبين على لوحة التصنيف.

تم تزويد الأداة الخاصة بك من DEWALT بعازل مزدوج طبقًا للمعيار EN 60745، لذا لا حاجة للسلك الأرضي.

**تحذير:** يجب تشغيل الوحدات بسعة 120 فولط من خلال محول العزل الآمن من التعطل مع شاشة التأريض بين الفئات الرئيسية وغير الرئيسية.

إذا كان سلك إمداد الطاقة تالفًا، فيجب استبداله بسلك آخر معد خصيصًا متوفر لدى مراكز خدمة DEWALT.



1. حرر ذراع النعل (ك)
  2. ازلق الحذاء (ط) تجاه شفرة المنشار.
  3. قم بإزالة الحذاء وضبط زاوية الميل المرغوبة باستخدام المقياس.
  4. احكم تثبيت ذراع النعل.
- ب. اضغط على الطرف الأمامي للوليجة تجاه الغطاء. تستقر الوليجة في موضعها.
4. لإزالة وليجة النعل المقاومة للشظايا، قم بإجراء العملية السابقة بترتيب عكسي.

## استخلاص الأتربة (الشكل 7)

يساعد محول استخلاص الأتربة (ف) مع غطاء استخلاص الأتربة (ص) على استخلاص الأتربة من سطح قطعة العمل، وذلك عند توصيله بنظام استخلاص الأتربة المناسب.

1. ضع غطاء استخلاص الأتربة (ص) على وافي الإصبع (ز) حتى يستقر في موضعه.
2. قم بتثبيت محول استخلاص الأتربة (ف) بالأداة على النحو المبين.
3. قم بتوصيل خرطوم نظام استخلاص الأتربة المناسب بالمحول.

**تحذير:** وصل نظام استخلاص الأتربة المصمم وفقاً للتوصيات المعمول في ما يتعلق بانبعاثات الأتربة، متى أمكن ذلك.

**تحذير:** لا تستخدم نظام استخلاص دون وافي مناسب من الشظايا عند نشر المعدن.



## التشغيل

### تعليمات الاستخدام

**تحذير:** التزم دوماً بتعليمات الأمان والوائح المعمول بها.

**تحذير:** لتقليل خطر التعرض للإصابة الشخصية الجسيمة، قم بإيقاف تشغيل الأداة وفصلها من مصدر الطاقة قبل إجراء أي عمليات ضبط، أو إزالة تركيب الملحقات أو الإكسسوارات.

**تحذير:**



- تأكد من أن قطعة العمل الخاصة بك مثبتة جيداً. قم بإزالة المسامير، والبراغي وأدوات التثبيت الأخرى التي قد تلتف الشفرة.
- تأكد من وجود مساحة كافية للشفرة تحت قطعة العمل. لا تقم بقطع المواد التي تتجاوز الحد الأقصى لقطع الشفرة.
- استخدم شفرات المنشار الحادة فقط. يجب إزالة شفرات المنشار التالفة أو المتلوية.
- لا تستخدم الأداة لنشر الأنابيب بفتحة واحدة أو الأنابيب بفتحتين.
- لا تقم مطلقاً بتشغيل الأداة الخاصة بك بدون شفرة المنشار.
- للحصول على نتائج مثالية، قم بتحريك الأداة بسلامة وبشكل ثابت فوق قطعة العمل. لا تمارس ضغطاً على أحد جانبي شفرة المنشار. حافظ على الكعب مسطح على قطعة العمل وتوجيه السلك بعيداً مع محادة الأداة. عند نشر الأشياء ذات الأشكال المنحنية أو الدائرية أو الدائرية الأخرى، فقم بدفع الأداة للأمام برفق.
- انتظر حتى تتوقف الأداة تماماً قبل إزالة شفرة المنشار من قطعة العمل. بعد النشر قد تصبح الشفرة ساخنة للغاية. لا تلمسها.

## الوضع اليدوي الصحيح (الشكلان 1، و12)

**تحذير:** لنخفض خطر التعرض للإصابة الجسدية البالغة، استخدم دائماً الوضع اليدوي الصحيح كما هو موضح.

**تحذير:** لنخفض خطر التعرض للإصابة الجسدية البالغة، قم دائماً بالإسكاج الجيد تحسباً لأي رد فعل مفاجئ.



الأوضاع	الخشب	المعادن	المواد البلاستيكية
3	عمليات القطع السريع	-	PVC
2	قطع العمل السميكة	-	زجاج فايبر أكريليك
1	الخشب الرقائقي اللوح	الألومنيوم غير حديدي	-
0	قطع العمل الدقيقة عمليات القطع الناعم	الصفيحة المعدنية	-

## ضبط طريقة البندول (شكل 1)

تضمن طريقة الهزاز القابلة للضبط هزة قطع كاملة للمواد المختلفة.

ازلق المحدد (ي) إلى الوضع المرغوب مع الرجوع إلى الجدول التالي. يمكن مضاعفة المحدد أثناء التشغيل.

## ضبط نافخ النشارة (شكل 1)

يعمل نافخ النشارة ككندفق هواء قابل للضبط لشفرة المنشار للحفاظ على خلو قطعة العمل من النشارة أثناء التشغيل.

اضبط نافخ النشارة باستخدام الذراع (د).

منخفضة	للعمل في المعادن، وعند استخدام سوائل التبريد والشحوم، وللاستخدام في استخلاص الأتربة.
متوسطة	للعمل في الخشب والمواد المشابهة بسرعة منخفضة.
عالية	للعمل في الخشب والمواد المشابهة بسرعة عالية.

## تركيب غطاء النعل المقاوم للخدوش

### البلاستيكي (شكل 4)

يقفل غطاء الحذاء المقاوم للخدوش (ل) من تلف الأسطح الخاصة بقطع العمل (الحساسة).

قم بالنقر فوق الغطاء الموجودة على النعل كما هو موضح.

## تركيب وإزالة وليجة النعل المقاوم للشظايا

### (الشكل 5، 6)

تعمل وليجة النعل المقاومة للشظايا (م)، التي يتم تركيبها بالقرب من شفرة المنشار، على الحد من تنظي قطعة العمل. ويمكن تثبيت هذه الوليجة في كلٍّ من النعل وغطاء النعل.

1. أمسك الوليجة (م) في الاتجاه المبين.

2. لتثبيت الوليجة في النعل (ط):

أ. قم بزلق الحواف (ن) في الأخاديد (س).

ب. قم بزلق الوليجة مرة أخرى في الوضع المقابل للنعل.

3. لتثبيت الوليجة في الغطاء (ل):

أ. قم بزلق الحواف (ن) خلف الدعاملت (ع).



يتطلب الوضع اليدوي الملازم استخدام يد واحدة على المقبض الأمامي (ر)، مع وجود اليد الأخرى على المقبض الرئيسي (ق).

## التشغيل وإيقاف التشغيل (شكل 1)

1. لتشغيل الأداة، اضغط على مفتاح التشغيل/ إيقاف التشغيل (أ).
2. للتشغيل المتواصل، اضغط باستمرار على المفتاح (أ)، واضغط على زر تشغيل القفل (ب) وحرر المفتاح.
3. لإيقاف الأداة، حرر المفتاح.
4. لإيقاف الأداة أثناء التشغيل المستمر، اضغط على المفتاح لفترة وجيزة ثم حرره. قم دوماً بإيقاف تشغيل الأداة عند الانتهاء من العمل وقبل فصل القابس.

## ضبط سرعة النشر الإلكترونية (الشكل 8)

تفاوتت سرعة النشر مع الضغط المبذول على مفتاح (أ).

1. لضبط سرعة النشر بشكل مسبق، أدر قرص التحكم (ج) على المستوى المرغوب. كلما زاد المعدل، كلما زادت سرعة النشر. يعتمد الضبط اللازم على سماكة ونوع المواد.
2. استخدم سرعات عالية لنشر المواد الناعمة كالخشب. استخدم سرعات منخفضة لنشر المعادن.

**تحذير:** بعد استخدام الأداة لفترة زمنية طويلة بواسطة إعدادات منخفضة السرعة، قم بتشغيلها لمدة ثلاث دقائق تقريباً بالنسبة للسرعة القصوى بدون حمل.

## النشر في الخشب (الشكل 9)

- قم بسحب خط القطع، إذا كان ذلك ضرورياً.
- قم بتشغيل الأداة.
- قم بلمسك الأداة مقابل قطعة العمل واتباع الخط.
- بالنسبة للنشر بالتوازي مع حافة قطعة العمل الخاصة بك، و قم بتثبيت السياج المتوازي وتوجيهه منشار الأركيت على طول قطعة العمل كما هو موضح في الشكل 9.

## النشر في الخشب باستخدام الفتحة الإرشادية (الشكل 10)

- قم بسحب خط القطع، إذا كان ذلك ضرورياً.
- قم بتقبض فتحة (قطر 12 مم) وأدخل شفرة المنشار.
- قم بتشغيل الأداة.
- قم باتباع الخط.
- لقطع الأشكال الدائرية بشكل تام، قم بتثبيت قضيب فرجار وضبطه على نصف القطر المطلوب.

## النشر لأعلى في حافة متديلة (الشكل 11)

- باستخدام الشفرة العادية، قم بالقطع لأعلى على الحافة البارزة.
- قم بإنهاء القطع باستخدام شفرة القطع المستوية.

## استخلاص الأتربة (الشكل 7)

عند استخدام هذه الأداة داخل مكان لفترات زمنية طويلة، استخدم مستخرج أتربة مناسب مصمم بالتوافق مع التوجيهات المعمول بها في ما يتعلق بالانبعاث الأتربة.

## النشر في المعادن

- قم بتركيب شفرة المنشار الملائمة.
- قم بمواصلت العملية كما هو موصوف أعلاه.

**تحذير:** استخدم شحم تزييق مرطب (زيت القطع) لمنع فرط سخونة شفرة المنشار أو قطعة العمل.



## الصيانة

تم تصميم الأداة الكهربائية DEWALT الخاصة بك للعمل خلال فترة زمنية طويلة مع أدنى حد من الصيانة. يعتمد التشغيل المرضي المتواصل على العناية الملائمة بالأداة وتنظيفها بشكلٍ منتظم.

**تحذير:** لخفض خطر التعرض للإصابة، قم بإيقاف تشغيل الوحدة، وفصل الماكينة من مصدر الطاقة قبل تركيب الملحقات وفكها، وقبل ضبط أو تغيير الإعدادات، أو عند إجراء الإصلاحات. تأكد من أن مفتاح التشغيل في وضع OFF (إيقاف التشغيل). فبدء التشغيل العرضي قد يؤدي إلى حدوث إصابة.



## تشحيم البكرة التوجيهية (الشكل 2)

ضع قطرة من الزيت على البكرة التوجيهية (ح) على مواعيد فاصلة منتظمة لمنع التعثر.



## التنظيف

**تحذير:** قم بنفخ الأتربة والغبار خارج التجويف الرئيسي بواسطة الهواء الجاف عدد أكبر من المرات في حال مشاهدة تجمع الأتربة بداخل المنافذ الهوائية وحولها. قم بإرتداء واقي العين المعتمد وكمامة الأتربة المعتمدة عند تنفيذ هذا الإجراء.

**تحذير:** لا تقم مطلقاً باستخدام مذيبات أو أي مواد كيميائية قاسية أخرى لتنظيف الأجزاء غير المعدنية بالأداة. إذ قد تضعف هذه المواد الكيميائية من المواد المستخدمة في هذه الأجزاء. استخدم قطعة قماش مبللة بالماء والصابون الخفيف فقط. لا تسمح قط بدخول أي سائل إلى الأداة، ولا تقم مطلقاً بغمر أي جزء من الأداة في السائل.



## الملحقات الاختيارية

**تحذير:** نظراً لعدم اختبار ملحقات غير تلك المقدمة من DEWALT، مع هذا المنتج، يمكن أن يمثل استخدام مثل هذه الملحقات مع هذه الآلة خطراً. لتقليل الإصابة الشخصية، يجب استخدام الملحقات الموصى بها فقط من DEWALT مع هذا المنتج.



استشر وكيلك لمعرفة المزيد من المعلومات حول الملحقات الملائمة.  
تتضمن تلك:

الدليل المتوازي	DE3241
قضيب فرجار	DE3242

تتوفر الشفرات البديلة التالية:

شفرة القطع المسننة الدقيقة	DT2048
شفرة القطع المسننة الخشنة	DT2075
شفرة القطع المعدنية	DT2160
شفرة القطع المستوية*	DT2074

\* غير متوفر في جميع البلدان.

## حماية البيئة

تجمع منفصلاً. يجب عدم التخلص من هذا المنتج في النفايات المنزلية العادية.



إذا وجدت في أحد الأيام أن المنتج DEWALT الخاص بك يلزم استبداله، أو لم تعد هناك حاجة لاستخدامه، فلا تتخلص منه في النفايات المنزلية. اجعل هذا المنتج متوفراً للتجميع المنفصل.

التجميع المنفصل للمنتجات والعبوات المستهلكة يتيح إعادة تدوير المواد واستخدامها مرة أخرى. إعادة استخدام المواد المعاد تدويرها يساعد على منع التلوث البيئي وتقليل الطلب على المواد الخام.



قد توفر القوانين المحلية أماكن تجميع منفصلة للمنتجات الكهربائية عن النفايات المنزلية، وفي مواقع النفايات البلدية أو بواسطة بائع التجزئة عند شرائك لمنتج جديد.

تقدم DEWALT وسيلة للتجميع المنفصل، لتجميع وتدوير منتجات DEWALT بعد وصولها إلى نهاية عمر التشغيل الخاص بها. للاستفادة من هذه الخدمة، الرجاء إعادة المنتج الخاص بك إلى وكيل إصلاح معتمد والذي سيقوم بتجميعه نيابة عنك.

بإمكانك التعرف على موقع أقرب وكيل إصلاح معتمد في منطقتك من خلال الاتصال بمكتب DEWALT المحلي على العنوان المحدد في هذا الدليل. أو بدلاً من ذلك، تتوفر قائمة من وكلاء الإصلاح المعتمدين التابعين لشركة DEWALT مع بياناتهم التفصيلية الكاملة لخدمة ما بعد البيع وجهات الاتصال المتوفرة على الإنترنت بالموقع:

[www.2helpU.com](http://www.2helpU.com)







<b>Afghanistan</b>	Ariana Hafiz Zabi Co. Ltd. Dahan Bagh Squire Karte Ariana, Kabul, Afghanistan	info@arianahafiz.com	Tel: 93-0-799331079 Fax: 93-0-700007576 / 93-0-799331079
<b>Algeria</b>	Sari Outillage Corporation 08, Rue Med Boudiaf (ex TELLA Achen) Cheraga, Alger	hakim.merjadi@outillage-dz.com lyes@outillage-dz.com Mali.faiza@outillage-dz.com; sidahmed@outillage-dz.com	Tel: 213-0-21375130 213-0-21375131 Fax: 213-0-21369667
<b>Angola</b>	Angoferraria, Lda. Rua Robert Shields, nº 61, Luanda, Angola	angoferraria@gmail.com sequeira.angoferraria@gmail.com	Tel: 244-222-395837 / 244-222-395034 Fax: 244-222-394790
<b>Azerbaijan</b>	Royalton Holdings Ltd. 41 Khagani St. Apt. 47 AZ1001 Baku- Azerbaijan	jai@royaltonholdings.com office@royaltonholdings.com	Tel: 994-12-4905544 Fax: 994-12-5980378
<b>Egypt</b>	ElFarab S.A.E. 15-Nabil El Wakkad Street, Dokki, Giza, Egypt	elfarab@elfarab.com adel.ezzat@elfarab.com mahmoud.elhosseiny@elfarab.com	Tel: 202-37603946 Fax: 202-33352796
<b>Ethiopia</b>	Seif Tewfik Sherif Arada Sub City, Kebele 01/02, Global Insurance Bldg., 2nd Flr., Room 43, P.O. Box 2525, Addis Ababa	seif@ethionet.et nawanag@ethionet.et	Tel: 251-11-1563968 251-11-1563969 Fax: 251-11-1558009
<b>Iraq</b>	Al-Sard Co. for General Trading Ltd Jbara Bldg. 3Flr. Al Rasheed St., Baghdad, Iraq	dewalt.service@yahoo.com	Tel: 964-18184102
<b>Jordan</b>	Amman West Stores-Bashiti 210 Garden St. Tla'a Ali, P.O. Box 1564 Tla Ali Amman 11953, Jordan	ali@bashitistores.com yousef@bashitistores.com	Tel: 962-6-5350009 Fax: 962-6-5350012
<b>Kenya</b>	Dextron Tools Ltd. P.O. Box 20121-00200, Shariff House, Kimathi Street, Nairobi	info@alibhaishariff.co.ke dextron@alibhaishariff.co.ke	Tel: 254-20-6905000 254-20-2358021 Fax: 254-20-6905111 / 254-20-6905112
<b>Lebanon</b>	Est. Shaya & Azar S.A.R.L. Boulevard Jdeideh - Mar Takla - Bouchrieh . P.O. Box 90545, Jdeideh, Beirut - Lebanon	shayazar@dm.net.lb	Tel: 961 1 872305 961 1 872306 Fax: 961 1 872303
<b>Libya</b>	North Africa Trading ( El Ghoul Brothers) P.O. Box 348, 7 October Street 11 Benghazi	maryam_farooq2003@yahoo.com nagte@eim.ae dewalt_libya@yahoo.com	Tel: 218-061-3383994 Fax: 218-092-7640688
	North Africa Trading ( El Ghoul Brothers) AlBarniq DeWALT Center, Mokhazin-elsukar St. ElFallah, Tripoli	dewalt_libya@yahoo.com	Tel: 218-021-3606430 Fax: 218-092-6514813
	North Africa Trading ( El Ghoul Brothers) AlHilal Service Center Tawergha St., Misurata		Tel: 218-091-3221408
<b>Mauritius</b>	Robert Le Marie Limited Old Moka Road, Bell Village, P.O. Box 161, Port Louis	a.blackburn.rm@rlmgroup.mu jm.pierrelouis.rm@rlmgroup.mu	Tel: 230-212 1865 230-212 2847 Fax: 230-2080843
<b>Morocco</b>	Ets Louis Guillaud & Cie 31, Rue Pierre Parent, Casablanca - 21000	boumadiane.azedine@elg.ma doukkail.marouane@elg.ma	Tel: 522-301446 / 305971 / 317815 / 315576 Fax: 522-444518 / 317888
<b>Nigeria</b>	Meridian Power Tools Ltd. Gr. Floor, #1 Alhaji Masha Rd, Next to Teslim Balogun Stadium, Near National Stadium Surulere, Lagos, Nigeria	braj@meridian-nigeria.com	Tel: 234-1-7740431 234-1-7740410 Fax: 234-1-7913798
<b>Pakistan</b>	Northern Toolings (Pvt) Ltd.-Lahore 86- Railway Road, Lahore - 7 Pakistan	zhayee@northern.pk import@northern.pk sales@northern.pk	Tel: 92-423-7651220 92-423-7641675 Fax: 92-423-7641674
	Northern Toolings (Pvt) Ltd.-Karachi 224-231 Industrial Town Plaza, Shahrah-e-Liaqat, Karachi, Pakistan	karachibr@northern.pk	Tel: 92-213-2465305 92-213-2465307 Fax: 92-213-2465301
	Northern Toolings (Pvt) Ltd.-Taxila Al-Rehman Plaza, Opposite Tehsil Court, Faisal Shaheed Road, Taxila	taxilabr@northern.pk	Tel: 92-51-4545811 Fax: 92-51-4544194
<b>South Africa</b>	Benray Tool Wholesalers C.C. 91 Turfontein Road, Stafford, Johannesburg, 2001 P.O. Box 260037 EXCOM 2023, South Africa	dewaltservice@benray.co.za zain@benray.co.za shafiq@benray.co.za	Tel: 27-11-6838350 Fax: 27-11-6837456
<b>Tanzania</b>	General Motors Investment Ltd. 14 Vingunguti-Nyerere Road, P.O.Box 16541, Dar es Salaam, Tanzania	ezra@gmi-tz.com info@gmi-tz.com chiwelesa@yahoo.com	Tel: 255-22-2865022 / 2862661 / 2862671 / 2862659 Fax: 255-22-2862667
<b>Tunisia</b>	Ets. Mohamed Ghorbel 03 Rue 8603 Chargaia I Tunis. Postal Code 2035	slim.ghorbel@gnet.tn moh.ghorbel@gnet.tn mourad.ghorbel@gnet.tn	Tel: 216-71794248 216-71793848 Fax: 216-71770759
<b>Uganda</b>	The Building Center (U) Ltd. 52 Station Road, Kitgum House, P.O. Box 7436 Kampala, Uganda	bbc@africaonline.co.ug chris@bbc.co.ug	Tel: 256-041-4234567 256-041-4259754 Fax: 256-041-4236413
<b>Yemen</b>	Middle East Trading Co. (METCO) 5th Flr.Hayel Saeed Anam Bldg. Al-Muganma St. Taiz, Yemen	tamer.metco@gmail.com tamer@metcotrading.com metco@metcotrading.com sami@metcotrading.com	Tel: 967-4-213455 Fax: 967-4-219869
	Middle East Trading Co. (METCO) Mualla Dakka, Aden	tamer.metco@gmail.com tamer@metcotrading.com metco@metcotrading.com	Tel: 967-2-222670 Fax: 967-2-222670
	Middle East Trading Co. (METCO) Hayel st., Sana'a, Yemen	tamer.metco@gmail.com tamer@metcotrading.com metco@metcotrading.com	Tel: 967-1-204201 Fax: 967-1-204204

<b>UAE</b>	Black & Decker (Overseas) GmbH P.O. Box 5420, Dubai	service.me@blackdecker.com	Tel: 971-4 8127400 / 8127406 Fax: 971-4 2822765	
	Ideal Star Workshop Eqpt. Trading LLC P.O. Box 37116, Al Quoz, Dubai	idealeq@emirates.net.ae	Tel: 971-4 3474160 Fax: 971-4 3474157	
	Alebrah Engineering Service P.O. Box 78954, Al Qusais, Dubai	alebrah@eim.ae	Tel: 971-4 2850044 Fax: 971-4 2844802	
	Burj Al Madeena Industrial Area No. 1, opp. Pakistani Masjid P.O. Box 37635, Sharjah	dewaltuae@hotmail.com	Tel: 971-6 5337747 Fax: 971-6 5337719	
	McCoy Middle East LLC P.O. Box 25793, Sharjah	mccoy@emirates.net.ae	Tel: 971-6 5395931 Fax: 971-6 5395932	
	McCoy Middle East LLC P.O. Box 10584, Ras Al Khaimah	mccooyrak@gmail.com	Tel: 971-7 2277095 Fax: 971-7 2277096	
	Al Sukoon Gen. Trdg. Co. LLC P.O. Box 2975, Ajman	sukoon@eim.ae	Tel: 971-6 7435725 / 7438317 Fax: 971-6 7437350	
	Zillion Equipment and Spare Parts Trading LLC P.O. Box 19740, opp. Bin Sadal / Tririx Redymix Sanaiya, Al Ain	zilliontrdg@gmail.com	Tel: 971-3 7216690 Fax: 971-3 7216103	
	Light House Electrical, Abu Dhabi Branch P.O. Box 120, Abu Dhabi	dewalt_lhe@hotmail.com	Tel: 971-2 6726131 Fax: 971-2 6720667	
	Light House Electrical, Musaffah Branch P.O. Box 120, Abu Dhabi	dewalt_lhe@hotmail.com	Tel: 971-2 5548315 Fax: 971-2 5540461	
	<b>Bahrain</b>	Alfouz Services Co. WLL P.O. Box 26562, Tubli, Manama	alfouz@batelco.com.bh	Tel: 973 17783562 / 17879987 Fax: 973 17783479
		Kavalani & Sons W.L.L. P.O. Box 71, Sitra, Manama	info@kavalani.com pradeep@kavalani.com	Tel: 973 17732888 Fax: 973 17737379
	<b>Kuwait</b>	Al Omar Technical Co. P.O. Box 4062, Safat 13041, Kuwait	alexotc@usa.net	Tel: 965 24848595 / 24840039 Fax: 965 24845652
Fawaz Al Zayani Establishment P.O. Box 42426, Shop No.18, Al Humalzi Commercial Complex, Khalifa Al Jassim, Shuwaikh		dewaltkuwait@hotmail.com	Tel: 965 24828710 Fax: 965 24828716	
Fawaz Al Zayani Establishment Fahaheel Industrial Area, Main St., Sanaya		dewaltkuwait@hotmail.com	Tel: 965 23925830 Fax: 965 24828716	
<b>Oman</b>	Al Jizzi Company LLC P.O. Box 1704, P.C. 112, Ruwi	aljizied@omantel.net.om jizzi10@omantel.net.om	Tel: 968 24832618 / 24835153 Fax: 968 24831334 / 24836460	
	Al Hassan Technical & Construction Supplies Co. LLC P.O. Box 1948, P.C. 112, Ruwi	hamriya.sr@al-hassan.com abr.ar.h@al-hassan.com	Tel: 968 24810575 / 24837054 Fax: 968 24810287 / 24833080	
	Oman Hardware Co. LLC P.O. Box 635, Ruwi Postal Code 112	omanhard@omantel.net.om	Tel: 968 24815131 Fax: 968 24816491	
	Khimji Ramdas P.O. Box 19, Post Code 100, Ghala, Muscat	bilal.m@khimjiramdas.com	Tel: 968 24595906/ 907 Fax: 968 24852752	
<b>Qatar</b>	Teyseer Industrial Supplies & Services Co. WLL 55, Al Wakalat St. (Between St. 18 & 19) Salwa Industrial Area, P.O. Box 40523 Doha	manish@tissco-qatar.com tool.service@tissco-qatar.com	Tel: 974 4581536 Fax: 974 4682024	
	Shaheen Electrical Works & Trading Co. WLL Gate 34, St. 44 Industrial Area P.O. Box 9756, Doha	shaheenelc@gmail.com	Tel: 974 460 02 30 / 460 05 25 Fax: 974 460 13 38	
<b>KSA</b>	Industrial Material Organization (IMO) P.O. Box 623, Rail Street, Riyadh	service@imo.com.sa	Tel: 966-1 4028010 Ext. 26 Tel: 966-1 8001245757 Fax: 966-1 4037970	
	Fawaz Ebrahim Al Zayani Trading Est. P.O. Box 76026, Al Raka : 31952	dewaltdammam@hotmail.com	Tel: 966-3 8140914 Fax: 966-3 8140824	
	MSS (Al-Mojil Supply & Services) P.O. Box 450, Jubail 31951	mssjubail@almojilservices.com alex.chang@almojilservices.com	Tel: 966-3 3612850 / 3624487 Tel: 966-3 3621729 Fax: 966-3 3623589 / 3620783	
	Opp-Gulf Bridge Library & Riyadh House			
	EAC (Al Yousef Contg. & Trdg. Est.) P.O. Box 30377, Jeddah -21477	golamkibria77@yahoo.com	Tel: 966-2 6519912 Fax: 966-2 6511153	
	Mohamed Ahmed Bin Afif Est. P.O. Box 530, Yanbu, Al Bahr	binaffyanbu@hotmail.com	Tel: 966-4 3222626 / 3228867 Fax: 966-4 3222210	
	Garziz Trading for Bldg Mat & Decoration P.O. Box 3364, Madina	agarziz@yahoo.com	Tel: 966-4 826 14 90 / 822 76 36 Fax: 966-4 826 57 41	
	Sultan Garment Factory (RSC) P.O. Box 29912, Riyadh 11467	rservice@diginet.sa	Tel: 966-1 4055148 / 4042889 Fax: 966-1 4055148	
	Al Bawardi Tools & Hardware P.O. Box 112, Dammam 31411	asattar@albawardi.com nibanez@albawardi.com	Tel: 966-3 8330780 Ext. 24 Tel: 966-3 8348585 Ext. 24 Fax: 966-3 8336303	
	Al Bawardi Tools & Hardware P.O. Box 68, Riyadh 11411	rbaltao@albawardi.com asamad@albawardi.com	Tel: 966-1 4484999 Fax: 966-3 4487877	
	Al Bawardi Tools & Hardware P.O. Box 16905, Jeddah 21474	sharadjil@albawardi.com fgaber@albawardi.com	Tel: 966-2 6444547 / 6439035 Tel: 966-2 6456095 Fax: 966-2 6439024	