

DEWALT®

www.DEWALT.com

D25303DH

Fig. A

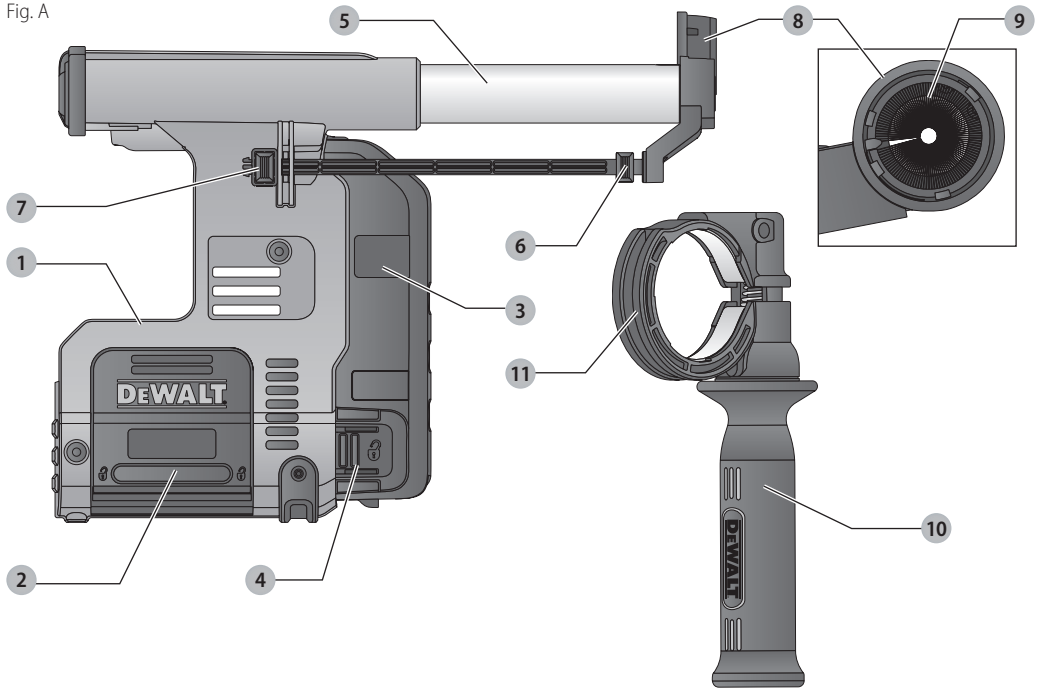


Fig. B

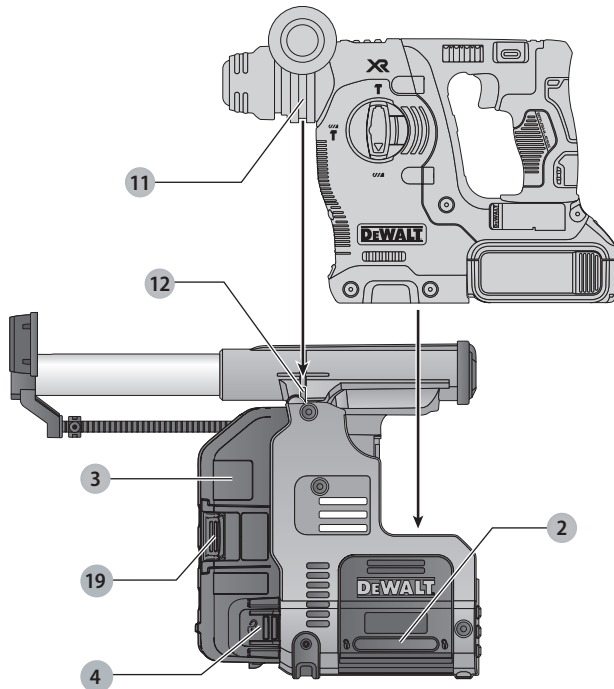


Fig. C

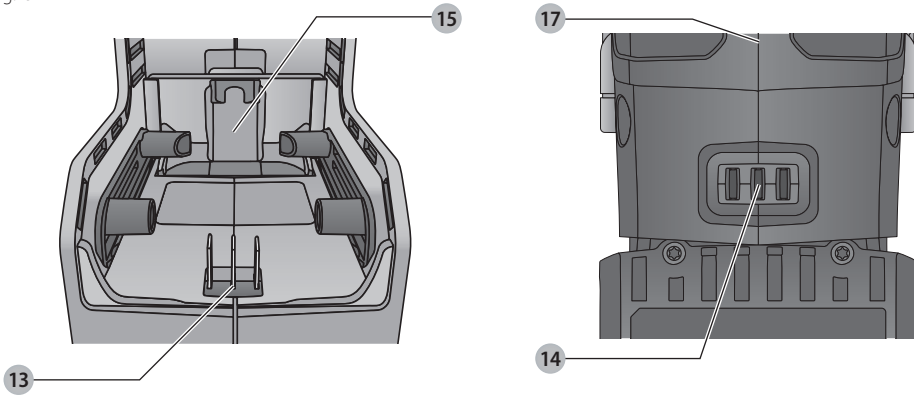


Fig. D

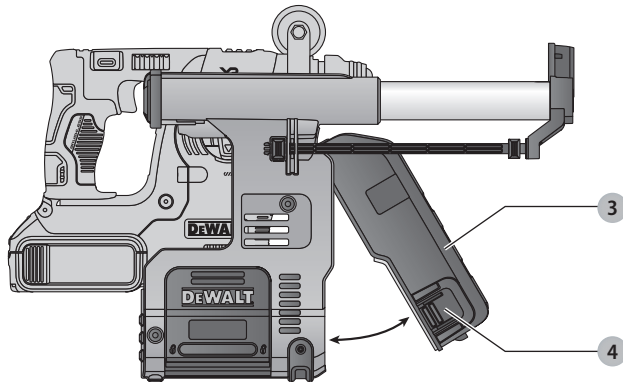


Fig. E

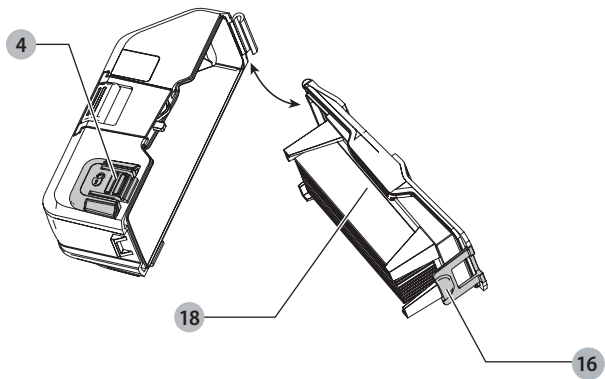


Fig. F

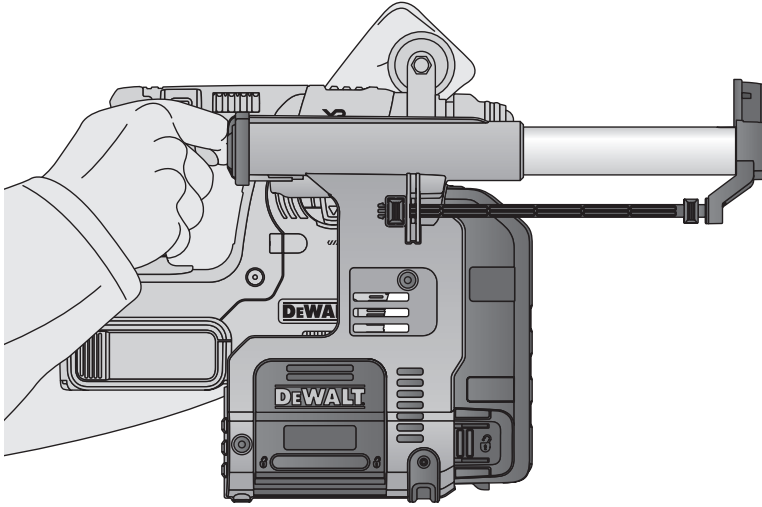
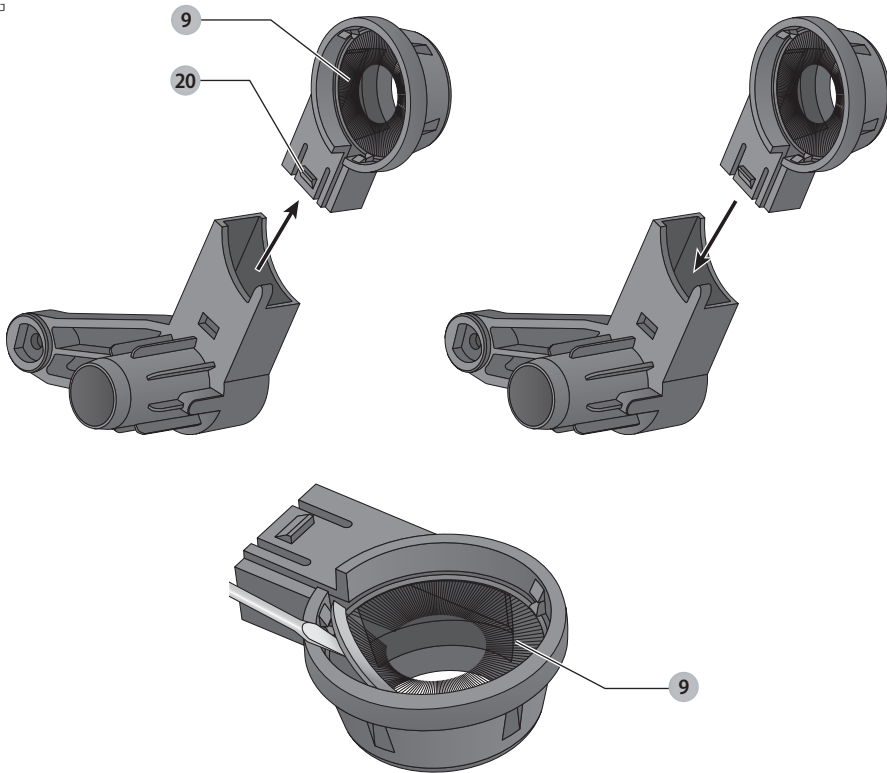


Fig. G



DUST EXTRACTION SYSTEM

D25303DH

Congratulations!

You have chosen a DeWALT tool. Years of experience, thorough product development and innovation make DeWALT one of the most reliable partners for professional power tool users.

Technical Data

		D25303DH
Contact pressure	N	60
Max. drilling depth	mm	105
Max. drilling diameter	mm	16
Voltage	V	18

NOTE: Max. drilling depth is only 94 mm when system is used on a rotary hammer without a quick change chuck.

Definitions: Safety Guidelines

The definitions below describe the level of severity for each signal word. Please read the manual and pay attention to these symbols.



DANGER: Indicates an imminently hazardous situation which, if not avoided, **will** result in **death or serious injury**.



WARNING: Indicates a potentially hazardous situation which, if not avoided, **could** result in **death or serious injury**.



CAUTION: Indicates a potentially hazardous situation which, if not avoided, **may** result in **minor or moderate injury**.

NOTICE: Indicates a practice **not related to personal injury** which, if not avoided, **may** result in **property damage**.



Denotes risk of electric shock.



Denotes risk of fire.

Safety Instructions



WARNING! Always observe safety regulations applicable in your country to reduce the risk of fire, electric shock and personal injury.

Read all of this manual carefully before operating the attachment. Also refer to the manual of any power tool that will be used with this attachment.

SAVE THIS MANUAL FOR FUTURE REFERENCE

General Safety Rules

- Keep work area clear.**
Cluttered areas and benches invite injuries.
- Keep children away.**
Do not let children come into contact with the tool or

extension cord. Supervision is required for those under 16 years of age.

3. Use appropriate tool.

The intended use is described in this instruction manual. Do not force small tools or attachments to do the job of a heavy-duty tool. The tool will do the job better and safer at the rate for which it was intended.



WARNING: The use of any accessory or attachment or performance of any operation with this tool, other than those recommended in this instruction manual may present a risk of personal injury.

EC-Declaration of Conformity

Machinery Directive



Dust Extraction System D25303DH

DeWALT declares that these products described under **Technical Data** are in compliance with: 2006/42/EC, EN60745-1:2009 + A11:2010.

These products also comply with Directive 2014/30/EU. For more information, please contact DeWALT at the following address or refer to the back of the manual.

The undersigned is responsible for compilation of the technical file and makes this declaration on behalf of DeWALT.

Markus Rompel
Director Engineering
DeWALT, Richard-Klinger-Strasse 11,
D-65510, Idstein, Germany
16.08.17



WARNING: To reduce the risk of injury, read the instruction manual.

Additional Specific Safety Rules for Dust Extraction Systems

- Do not use the attachment for drilling applications in wood, steel or plastic.
- Do not use the attachment in core drilling applications.
- Do not use the attachment for chiselling applications.
- Use only power tools recommended by DeWALT with this attachment. For more information about DeWALT power tools compatible with this attachment, please contact your local dealer, refer to the addresses at the back of the manual or visit www.dewalt.com.
- Do not use the tool in damp or wet conditions.

- Do not allow to be used as a toy. Close attention is necessary when used by or near children.
- Use only as described in this manual. Use only manufacturer's recommended attachments.
- Do not put any object into openings. Do not use with any opening blocked; keep free of dust, lint, hair and anything that may reduce air flow.
- Keep hair, loose clothing, fingers and all parts of body away from openings and moving parts.
- Do not use to pick up flammable or combustible liquids, such as gasoline, or use in areas where they may be present.

Residual Risks

The following risks are inherent to the use of the dust extraction system:

- injuries caused by touching the rotating parts or hot parts of the tool

In spite of the application of the relevant safety regulations and the implementation of safety devices, certain residual risks cannot be avoided. These are:

- Impairment of hearing.
- Risk of squeezing fingers when changing the accessory.
- Health hazards caused by breathing dust developed when working in concrete and/or masonry.

Markings on Dust Extraction System

The following pictograms are shown on the tool:



Read instruction manual before use.

Date Code Position

The Date Code, which also includes year of manufacture, is printed into the housing surface that forms the mounting joint between tool and dust box.

Example:

2017 XX XX
Year of Manufacture

Package Contents

The package contains:

- 1 Dust extraction system
- 1 Side handle
- 1 Dust extraction head/dust brush
- 1 Instruction manual
- Check for damage to the tool, parts or accessories which may have occurred during transport.
- Take the time to thoroughly read and understand this manual prior to operation.

Description (Fig. A–C, E, G)



WARNING: Never modify the power tool or any part of it. Damage or personal injury could result.

- 1 Dust extraction system
- 2 Base release buttons

- 3 Dust collection box
- 4 Dust collection box release buttons
- 5 Telescope
- 6 Depth adjustment button
- 7 Length adjustment button
- 8 Dust extraction head
- 9 Dust brush
- 10 Side handle
- 11 Side handle support groove
- 12 Side handle support locator
- 13 Dust extractor electrical connectors
- 14 Rotary hammer electrical connectors
- 15 Locking and release shoe
- 16 Dust collection box opening catch
- 17 Hammer foot
- 18 Filter
- 19 Filter cleaning mechanism
- 20 Snap-fit holder

Intended Use

Your dust extraction system D25303DH has been designed for the extraction of dust in professional hammerdrilling in masonry or concrete, and with solid drill bits mounted to the power tool. DO NOT use for drilling plastic, wood or metal.

This dust extraction system will fit DEWALT 18V cordless SDS Plus® hammers DCH253, DCH254 (TYPE 2 only), DCH273 and DCH274. For more information about DEWALT power tools compatible with this attachment, please contact your local dealer, refer to the addresses at the back of the manual or visit www.dewalt.com.

DO NOT use under wet conditions or in presence of flammable liquids or gases.

The dust extraction system is an attachment for use with professional power tools.

DO NOT let children come into contact with the tool. Supervision is required when inexperienced operators use this tool.

- **Young children and the infirm.** This appliance is not intended for use by young children or infirm persons without supervision.
- This product is not intended for use by persons (including children) suffering from diminished physical, sensory or mental abilities; lack of experience, knowledge or skills unless they are supervised by a person responsible for their safety. Children should never be left alone with this product.

Electrical Safety

The electric motor has been designed for one voltage only. Always check that the battery pack voltage corresponds to the voltage on the rating plate. Also make sure that the voltage of your charger corresponds to that of your mains.



Your DEWALT charger is double insulated in accordance with EN60335; therefore no earth wire is required.

If the supply cord is damaged, it must be replaced by a specially prepared cord available through the DEWALT service organization.

ASSEMBLY AND ADJUSTMENTS

⚠ WARNING: To reduce the risk of serious personal injury, turn tool off and disconnect battery pack or power source before making any adjustments or removing/installing attachments or accessories. An accidental start-up can cause injury.

Attaching and Removing the Dust Extraction System

⚠ WARNING: To reduce the risk of personal injury, ALWAYS operate the tool with the side handle properly installed and securely tightened. Failure to do so may result in the side handle slipping during tool operation and subsequent loss of control.

To Attach the Dust Extraction System (Fig. A–C)

1. Remove the drill bit, side handle and the depth adjustment rod, if attached to the rotary hammer.
2. Attach supplied side handle **10** to the rotary hammer.
3. Ensure the base release buttons **2** are depressed and locked in the open position before attempting to fit the dust extraction system to the rotary hammer.
4. Push the locking shoe **15** down with the rotary hammer foot **17**. Make sure that the groove in the side handle collar fits to the locator element **12** on the extractor. The base release buttons **2** will lock into to the screw bosses of the rotary hammer foot **17**. The electrical connectors **14** in the base of the rotary hammer will align with the electrical connectors **13** in the extractor base.

To Remove the System

To remove the dust extraction system, press the two extractor base release buttons **2** and lift the rotary hammer off the duct extraction system (Fig. B).

OPERATION

⚠ WARNING: To reduce the risk of serious personal injury, turn tool off and disconnect battery pack or power source before making any adjustments or removing/installing attachments or accessories. An accidental start-up can cause injury.

⚠ WARNING: Always observe the safety instructions and applicable regulations.

⚠ WARNING: Always read and operate the tool as instructed in the tool instruction manual.

Proper Hand Position (Fig. F)

⚠ WARNING: To reduce the risk of serious personal injury, ALWAYS use proper hand position as shown.

⚠ WARNING: To reduce the risk of serious personal injury, ALWAYS hold securely in anticipation of a sudden reaction.

Proper hand position requires one hand on the main handle of the hammer and one hand on the side handle. The side handle must be installed for proper use.

Switching On and Off

The extraction system automatically starts when the rotary hammer is turned on.

Electronic Switch-off Delay

After turning the rotary hammer off, the extraction system will run for a few seconds longer to vacuum the remaining dust particles in the internal parts and collect the dust in the dust collection box.

Filter Cleaning Mechanism (Fig. B)

The filter cleaning mechanism **19** is a feature that uses the motor in the extractor to force air through the HEPA filter. Refer to **Emptying the Dust Collector** for instructions on proper use.

Setting the Drilling Depth (Fig. A)

Press the depth adjustment button **6** on the front of the slider and move it to the desired drilling depth. Release the button.

Adjusting the Drill Length (Fig. A)

1. Insert the appropriate drill bit.
2. Hold the dust extraction head **8** against a wall.
3. Push the tool to make the drill bit touch the surface wall.
4. Press the length adjustment button **7** on top of the back slider and move it to the desired length. Release the button.
5. Gently withdraw the tool assembly from the wall, taking care that the spring-loaded mechanism does not release.

Emptying the Dust Collector (Fig. B, D, E)

⚠ WARNING: Wear approved eye protection and approved dust mask when performing this procedure.

The dust collector **3** should be emptied as soon as the performance has noticeably decreased.

1. Press the dust collection box release buttons **4** and pull the dust collection box away from the dust extraction system. Once the catch mechanism is clear of the dust extraction system the upper joint will also release allowing the dust collection box to be removed completely.
2. To empty the dust collection box **3** position it over a suitable container to catch the dust contained within it. Lift up the release catch **16** to open the dust collection box, separating the canister from the lid. Gently tapping the dust collection box will encourage any dust trapped within the filter to also be removed. Once the filter lid and canister are empty reattach them, ensuring the release catch **16** is securely fastened. Refer to Figure E.
3. To reattach the dust collection box to the dust extraction system first insert the rounded profile of the upper joint into the recess on the dust extraction system. Pivot the dust collection box down so that the release buttons click back into place. Refer to Figure D.
4. With the dust collection box properly installed, depress the filter cleaning mechanism **19** and squeeze trigger on tool. Allow the system to run for 5 seconds and release trigger.

This should be done after every emptying of the dust collection box.

MAINTENANCE

Your DeWALT dust extraction system has been designed to operate over a long period of time with a minimum of maintenance. Continuous satisfactory operation depends upon proper care and regular cleaning.

WARNING: To reduce the risk of serious personal injury, turn tool off and disconnect battery pack or power source before making any adjustments or removing/installing attachments or accessories. An accidental start-up can cause injury.

WARNING: Use only DeWALT replacement parts.

Replacing the Dust Collection Filter Box Element (Fig. D, E)

WARNING: Wear approved eye protection and approved dust mask when performing this procedure.

NOTE: The filter should be replaced after every 350 cycles of use.

1. Press the dust collection box release buttons **4** and pull the dust collection box away from the dust extraction system. Once the catch mechanism is clear of the dust extraction system the upper joint will also release allowing the dust collection box to be removed completely.
2. Discard dust collection box **3** replace with a new filter box.
3. Reattach the dust collection box to the dust extraction system first insert the rounded profile of the upper joint into the recess on the dust extraction system. Pivot the dust collection box down so that the release buttons click back into place.

Replacing the Dust Brush (Fig. G)

WARNING: Wear approved eye protection and approved dust mask when performing this procedure.

The dust brush will wear during use and will need to be replaced.

1. Push the snap-fit holder **20** at the back of the extraction head, and pull it out of the head holder.
2. Use a screwdriver to remove the dust brush **9** out of the extraction head.
3. Replace the dust brush with a new one.
4. Make sure that the open end of the dust brush is positioned to the centering pocket at the extraction head.
5. Push the extraction head back into the head holder. The centering pin will stick into the open end of the dust brush and secure it in place.



Cleaning

WARNING: Blow dirt and dust out of the main housing with dry air as often as dirt is seen collecting in and around the air vents. Wear approved eye protection and approved dust mask when performing this procedure.

WARNING: Never use solvents or other harsh chemicals for cleaning the non-metallic parts of the tool. These chemicals may weaken the materials used in these parts. Use a cloth dampened only with water and mild soap. Never let any liquid get inside the tool; never immerse any part of the tool into a liquid.

Cleaning the Dust Collector

WARNING: Do not use a brush to clean the dust collector or filter.

During intensive use the dust collector becomes clogged with dust. Refer to **Emptying the Dust Collector** under **Operation**.

Optional Accessories

WARNING: Since accessories, other than those offered by DeWALT, have not been tested with this product, use of such accessories with this tool could be hazardous. To reduce the risk of injury, only DeWALT, recommended accessories should be used with this product.

Consult your dealer for further information on the appropriate accessories.

Protecting the Environment



Separate collection. Products and batteries marked with this symbol must not be disposed of with normal household waste.

Products and batteries contain materials that can be recovered or recycled reducing the demand for raw materials. Please recycle electrical products and batteries according to local provisions. Further information is available at www.2helpU.com.





Belgique et Luxembourg België en Luxemburg	DeWALT - Belgium BVBA Egide Walschaertsstraat 16 2800 Mechelen	Tel: NL 32 15 47 37 63 Tel: FR 32 15 47 37 64 Fax: 32 15 47 37 99	www.dewalt.be enduser.BE@sbdinc.com
Danmark	DeWALT Roskildevej 22 2620 Albertslund	Tel: 70 20 15 10 Fax: 70 22 49 10	www.dewalt.dk kundservice.dk@sbdinc.com
Deutschland	DeWALT Richard Klingner Str. 11 65510 Idstein	Tel: 06126-21-1 Fax: 06126-21-2770	www.dewalt.de infodwge@sbdinc.com
Ελλάδα	DeWALT (Ελλάδα) A.E. ΕΔΡΑ-ΓΡΑΦΕΙΑ : Στραβανός 7 & Λ. Βουλγαγμένης, Πλωριάδα 166 74, Αθήνα SERVICE : Ημερος, Τόπος 2 (Χάνι Αδάμ) – 193 00 Ασπρόπυργος	Τηλ: 00302108981616 Φαξ: 00302108983570	www.dewalt.gr Greece.Service@sbdinc.com
España	DeWALT Ibérica, S.C.A. Parc de Negocios "Mas Blau" Edificio Muntadas, c/Bergadà, 1, Of. A6 08820 El Prat de Llobregat (Barcelona)	Tel: 934 797 400 Fax: 934 797 419	www.dewalt.es respuesta.postventa@sbdinc.com
France	DeWALT 5, allée des Hêtres BP 30084, 69579 Limonest Cedex	Tel: 04 72 20 39 20 Fax: 04 72 20 39 00	www.dewalt.fr scuf@sbdinc.com
Schweiz Suisse Svizzera	DeWALT In der Luberzen 42 8902 Urdorf	Tel: 044 - 755 60 70 Fax: 044 - 730 70 67	www.dewalt.ch service@rofoag.ch
Ireland	DeWALT Calpe House Rock Hill Black Rock, Co. Dublin	Tel: 00353-2781800 Fax: 00353-2781811	www.dewalt.ie
Italia	DeWALT via Energypark 20871 Vimercate (MB), IT	Tel: 800-014353 39 039 9590200 Fax: 39 039 9590313	www.dewalt.it
Nederlands	DeWALT Netherlands BV Holtum Noordweg 35 6121 RE BORN, Postbus 83, 6120 AB BORN	Tel: 31 164 283 063 Fax: 31 164 283 200	www.dewalt.nl
Norge	DeWALT Postboks 4613, Nydalen 0405 Oslo	Tel: 45 25 13 00 Fax: 45 25 08 00	www.dewalt.no kundservice.no@sbdinc.com
Österreich	DeWALT Werkzeug Vertriebsges m.b.H Oberlaaerstrasse 248, A-1230 Wien	Tel: 01 - 66116 - 0 Fax: 01 - 66116 - 614	www.dewalt.at service.austria@sbdinc.com
Portugal	DeWALT Limited, SARL Centro de Escritórios de Sintra Avenida Almirante Gago Coutinho, 132/134, Edifício 14 2710-418 Sintra	Tel: 214 66 75 00 Fax: 214 66 75 80	www.dewalt.pt resposta.posvenda@sbdinc.com
Suomi	DeWALT PL 47 00521 Helsinki	Puh: 010 400 4333 Faksi: 0800 411 340	www.dewalt.fi asiakaspalvelu.fi@sbdinc.com
Sverige	DeWALT Box 94 431 22 Molndal	Tel: 031 68 61 60 Fax: 031 68 60 08	www.dewalt.se kundservice.se@sbdinc.com
Türkiye	KALE Hirdavat ve Makina A.Ş. Defterdar Mah. Savaklar Cad. No:15 Edinekapı / Eyup / İSTANBUL 34050 TÜRKİYE	Tel: 0212 533 52 55 Faks: 0212 533 10 05	www.dewalt.com.tr
United Kingdom	DeWALT, 210 Bath Road; Slough, Berks SL1 3YD	Tel: 01753-567055 Fax: 01753-572112	www.dewalt.co.uk emeasevice@sbdinc.com
Australia	DeWALT 82 Taryn Drive, Epping VIC 3076 Australia	Tel: Aust 1800 338 002 Tel: NZ 0800 339 258	www.dewalt.com.au www.dewalt.co.nz
Middle East Africa	DeWALT P.O. Box - 17164, Jebel Ali Free Zone (South), Dubai, UAE	Tel: 971 4 812 7400 Fax: 971 4 2822765	www.dewalt.ae Service.MEA@sbdinc.com