

---

# DEWALT®

---

**XR FLEX  
VOLT™**  
*LI-ION*

**[www.DEWALT.com](http://www.DEWALT.com)**

**DCS520**



Fig. A  
그림 A

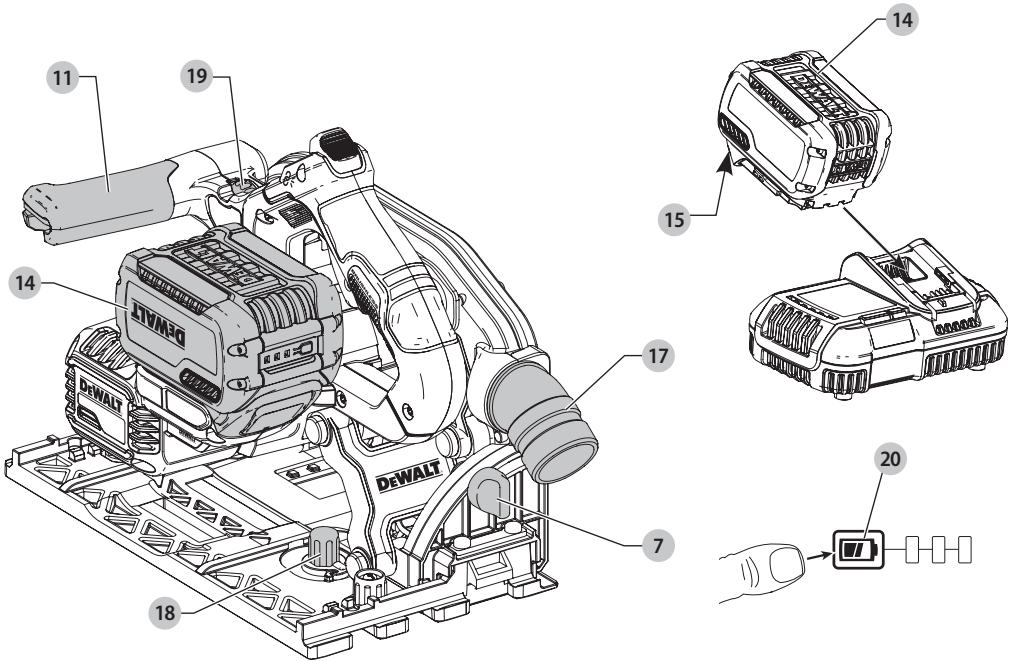
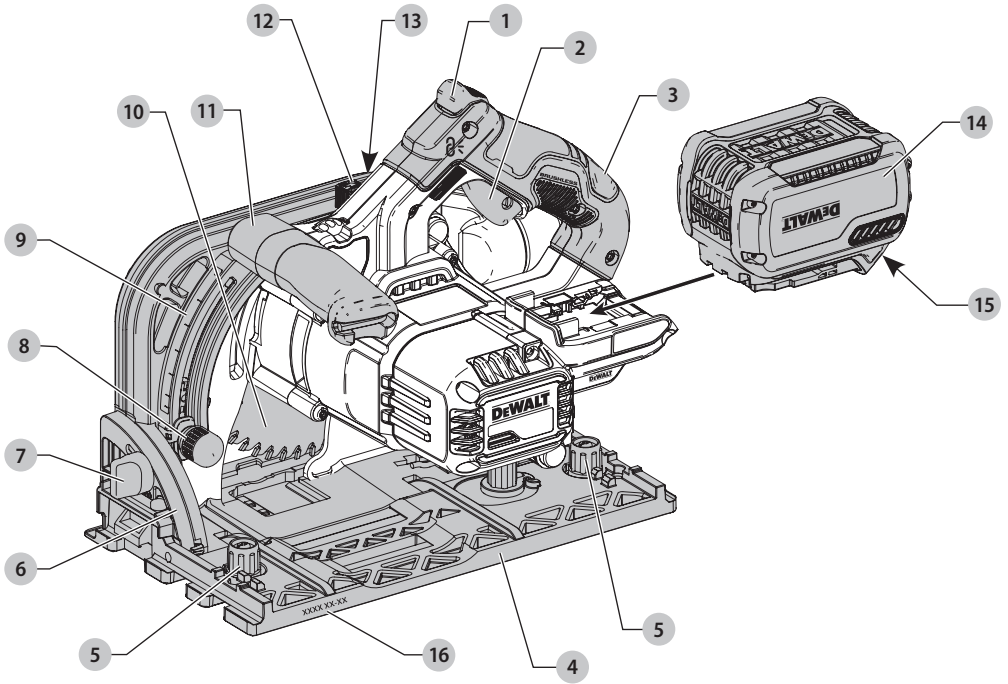


Fig. B  
그림 B

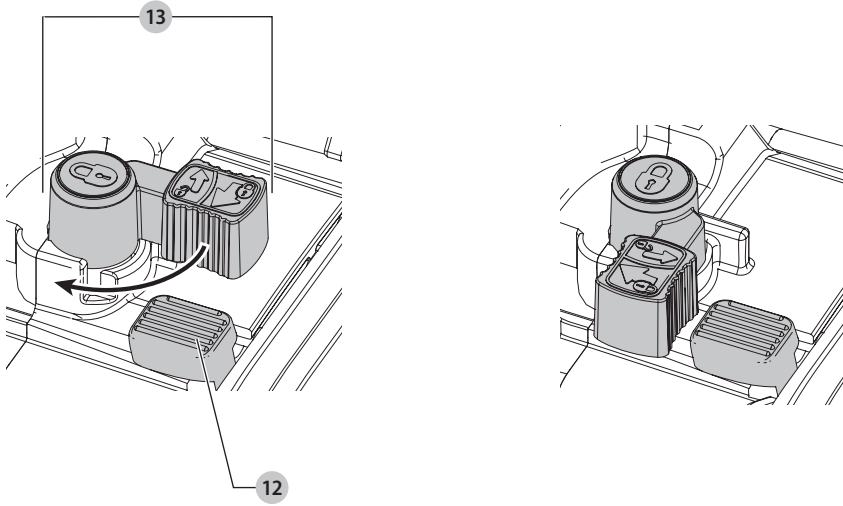


Fig. C  
그림 C

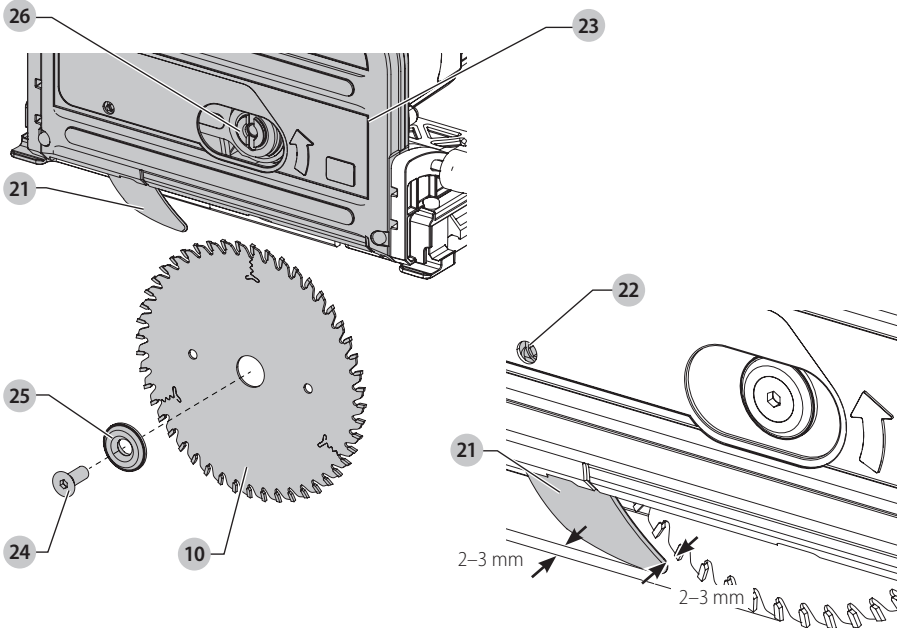


Fig. D  
그림 D

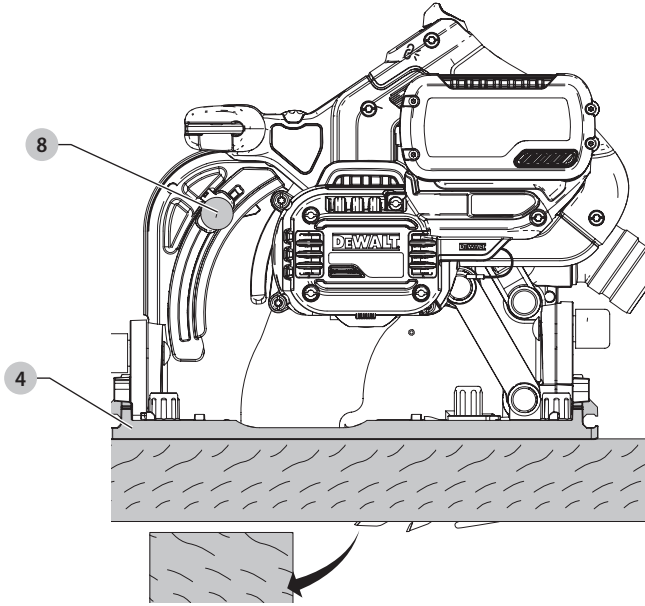


Fig. E  
그림 E

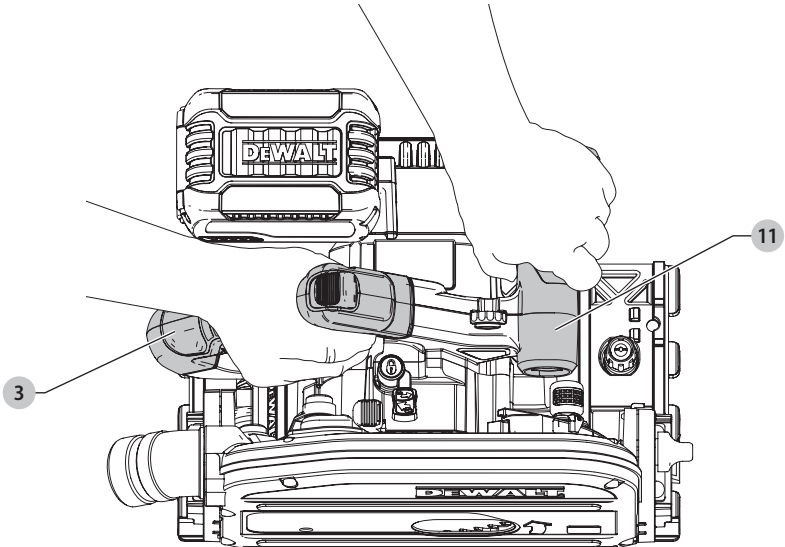


Fig. F  
그림 F

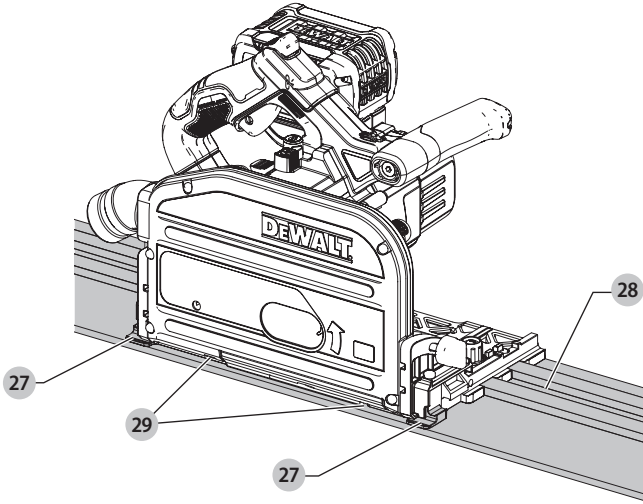


Fig. G  
그림 G

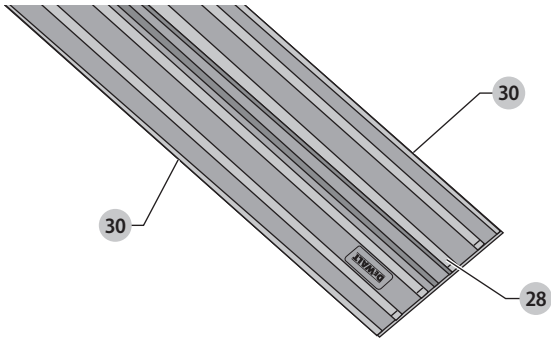


Fig. H  
그림 H

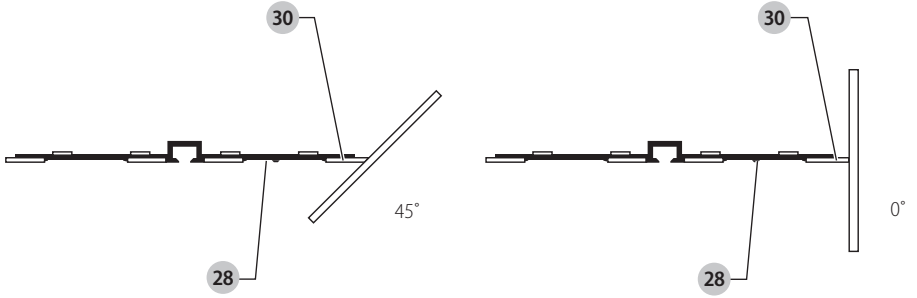
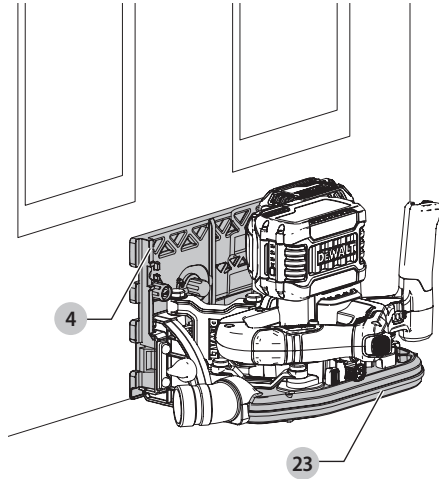


Fig. I  
그림 I



# CORDLESS PLUNGE SAW

## DCS520

### Congratulations!

You have chosen a DEWALT tool. Years of experience, thorough product development and innovation make DEWALT one of the most reliable partners for professional power tool users.

### Technical Data

DCS520		
Voltage	V <sub>DC</sub>	54(60V Max)
Battery type		Li-Ion
No-load speed	min <sup>-1</sup>	2500–4200
Blade diameter	mm	165
Maximum depth of cut		
90° (without guide rail)	mm	59
90° (with guide rail)	mm	55
Blade bore	mm	20
Bevel angle adjustment		47°
Weight (without battery pack)	kg	4.7



**WARNING:** To reduce the risk of injury, read the instruction manual.

### Definitions: Safety Guidelines

The definitions below describe the level of severity for each signal word. Please read the manual and pay attention to these symbols.



**DANGER:** Indicates an imminently hazardous situation which, if not avoided, **will** result in **death or serious injury**.



**WARNING:** Indicates a potentially hazardous situation which, if not avoided, **could** result in **death or serious injury**.



**CAUTION:** Indicates a potentially hazardous situation which, if not avoided, **may** result in **minor or moderate injury**.

**NOTICE:** Indicates a practice **not related to personal injury** which, if not avoided, **may** result in **property damage**.



Denotes risk of electric shock.



Denotes risk of fire.

Batteries				Chargers/Charge Times (Minutes)					
Cat #	V <sub>DC</sub>	Ah	Weight (kg)	DCB107	DCB112	DCB115	DCB118	DCB132	DCB119
DCB546	18/54	6.0/2.0	1.05	270	140	90	60	90	X
DCB606	20/60	6.0/2.0	1.05	270	140	90	60	90	X
DCB547	18/54	9.0/3.0	1.25	420	220	140	85	140	X
DCB609	20/60	9.0/3.0	1.25	420	220	140	85	140	X
DCB181	18	1.5	0.35	70	35	22	22	22	45
DCB182	18	4.0	0.61	185	100	60	60	60	120
DCB204	20	4.0	0.61	185	100	60	60	60	120
DCB183/B	18	2.0	0.40	90	50	30	30	30	60
DCB203	20	2.0	0.40	90	50	30	30	30	60
DCB184/B	18	5.0	0.62	240	120	75	75	75	150
DCB205	20	5.0	0.62	240	120	75	75	75	150
DCB185	18	1.3	0.35	60	30	22	22	22	X
DCB187	18	3.0	0.48	140	70	45	45	45	90

### GENERAL POWER TOOL SAFETY WARNINGS



**WARNING:** Read all safety warnings, instructions, illustrations and specifications provided with this power tool. Failure to follow all instructions listed below may result in electric shock, fire and/or serious injury.

#### SAVE ALL WARNINGS AND INSTRUCTIONS FOR FUTURE REFERENCE.

The term "power tool" in the warnings refers to your mains-operated (corded) power tool or battery-operated (cordless) power tool.

### Work Area Safety

- Keep work area clean and well lit.** Cluttered or dark areas invite accidents.
- Do not operate power tools in explosive atmospheres, such as in the presence of flammable liquids, gases or dust.** Power tools create sparks which may ignite the dust or fumes.
- Keep children and bystanders away while operating a power tool.** Distractions can cause you to lose control.



## Electrical Safety

- a) **Power tool plugs must match the outlet. Never modify the plug in any way. Do not use any adapter plugs with earthed (grounded) power tools.** *Unmodified plugs and matching outlets will reduce risk of electric shock.*
- b) **Avoid body contact with earthed or grounded surfaces such as pipes, radiators, ranges and refrigerators.** *There is an increased risk of electric shock if your body is earthed or grounded.*
- c) **Do not expose power tools to rain or wet conditions.** *Water entering a power tool will increase the risk of electric shock.*
- d) **Do not abuse the cord. Never use the cord for carrying, pulling or unplugging the power tool. Keep cord away from heat, oil, sharp edges or moving parts.** *Damaged or entangled cords increase the risk of electric shock.*
- e) **When operating a power tool outdoors, use an extension cord suitable for outdoor use.** *Use of a cord suitable for outdoor use reduces the risk of electric shock.*
- f) **If operating a power tool in a damp location is unavoidable, use a residual current device (RCD) protected supply.** *Use of an RCD reduces the risk of electric shock.*

## Personal Safety

- a) **Stay alert, watch what you are doing and use common sense when operating a power tool. Do not use a power tool while you are tired or under the influence of drugs, alcohol or medication.** *A moment of inattention while operating power tools may result in serious personal injury.*
- b) **Use personal protective equipment. Always wear eye protection.** *Protective equipment such as a dust mask, non-skid safety shoes, hard hat or hearing protection used for appropriate conditions will reduce personal injuries.*
- c) **Prevent unintentional starting. Ensure the switch is in the off-position before connecting to power source and/or battery pack, picking up or carrying the tool.** *Carrying power tools with your finger on the switch or energising power tools that have the switch on invites accidents.*
- d) **Remove any adjusting key or wrench before turning the power tool on.** *A wrench or a key left attached to a rotating part of the power tool may result in personal injury.*
- e) **Do not overreach. Keep proper footing and balance at all times.** *This enables better control of the power tool in unexpected situations.*
- f) **Dress properly. Do not wear loose clothing or jewellery. Keep your hair and clothing away from moving parts.** *Loose clothes, jewellery or long hair can be caught in moving parts.*
- g) **If devices are provided for the connection of dust extraction and collection facilities, ensure these are**

**connected and properly used.** *Use of dust collection can reduce dust-related hazards.*

- h) **Do not let familiarity gained from frequent use of tools allow you to become complacent and ignore tool safety principles.** *A careless action can cause severe injury within a fraction of a second.*

## Power Tool Use and Care

- a) **Do not force the power tool. Use the correct power tool for your application.** *The correct power tool will do the job better and safer at the rate for which it was designed.*
- b) **Do not use the power tool if the switch does not turn it on and off.** *Any power tool that cannot be controlled with the switch is dangerous and must be repaired.*
- c) **Disconnect the plug from the power source and/or remove the battery pack, if detachable, from the power tool before making any adjustments, changing accessories, or storing power tools.** *Such preventive safety measures reduce the risk of starting the power tool accidentally.*
- d) **Store idle power tools out of the reach of children and do not allow persons unfamiliar with the power tool or these instructions to operate the power tool.** *Power tools are dangerous in the hands of untrained users.*
- e) **Maintain power tools and accessories. Check for misalignment or binding of moving parts, breakage of parts and any other condition that may affect the power tool's operation. If damaged, have the power tool repaired before use.** *Many accidents are caused by poorly maintained power tools.*
- f) **Keep cutting tools sharp and clean.** *Properly maintained cutting tools with sharp cutting edges are less likely to bind and are easier to control.*
- g) **Use the power tool, accessories and tool bits, etc. in accordance with these instructions, taking into account the working conditions and the work to be performed.** *Use of the power tool for operations different from those intended could result in a hazardous situation.*
- h) **Keep handles and grasping surfaces dry, clean and free from oil and grease.** *Slippery handles and grasping surfaces do not allow for safe handling and control of the tool in unexpected situations.*

## Battery Tool Use and Care

- a) **Recharge only with the charger specified by the manufacturer.** *A charger that is suitable for one type of battery pack may create a risk of fire when used with another battery pack.*
- b) **Use power tools only with specifically designated battery packs.** *Use of any other battery packs may create a risk of injury and fire.*
- c) **When battery pack is not in use, keep it away from other metal objects, like paper clips, coins, keys, nails, screws or other small metal objects, that can make a connection from one terminal to another.** *Shorting the battery terminals together may cause burns or a fire.*

- d) **Under abusive conditions, liquid may be ejected from the battery; avoid contact. If contact accidentally occurs, flush with water. If liquid contacts eyes, additionally seek medical help.** Liquid ejected from the battery may cause irritation or burns.
- e) **Do not use a battery pack or tool that is damaged or modified.** Damaged or modified batteries may exhibit unpredictable behaviour resulting in fire, explosion or risk of injury.
- f) **Do not expose a battery pack or tool to fire or excessive temperature.** Exposure to fire or temperature above 130 °C may cause explosion.
- g) **Follow all charging instructions and do not charge the battery pack or tool outside the temperature range specified in the instructions.** Charging improperly or at temperatures outside the specified range may damage the battery and increase the risk of fire.

### Service

- a) **Have your power tool serviced by a qualified repair person using only identical replacement parts.** This will ensure that the safety of the power tool is maintained.

## Additional Specific Safety Rules

### Safety Instructions for All Saws

- a) **⚠ DANGER: Keep hands away from cutting area and the blade. Keep your second hand on auxiliary handle, or motor housing.** If both hands are holding the saw, they cannot be cut by the blade.
- b) **Do not reach underneath the workpiece.** The guard cannot protect you from the blade below the workpiece.
- c) **Adjust the cutting depth to the thickness of the workpiece.** Less than a full tooth of the blade teeth should be visible below the workpiece.
- d) **Never hold workpiece in your hands or across your leg. Secure the workpiece to a stable platform.** It is important to support the work properly to minimize body exposure, blade binding, or loss of control.
- e) **Hold power tool by insulated gripping surfaces when performing an operation where the cutting tool may contact hidden wiring.** Contact with a "live" wire will also make exposed metal parts of the power tool "live" and shock the operator.
- f) **When ripping always use a rip fence or straight edge guide.** This improves the accuracy of cut and reduces the chance of blade binding.
- g) **Always use blades with correct size and shape (diamond versus round) of arbour holes.** Blades that do not match the mounting hardware of the saw will run eccentrically, causing loss of control.
- h) **Never use damaged or incorrect blade washers or bolt.** The blade washers and bolt were specially designed for your saw, for optimum performance and safety of operation.

## Causes and Operator Prevention of Kickback

- Kickback is a sudden reaction to a pinched, bound or misaligned saw blade, causing an uncontrolled saw to lift up and out of the workpiece toward the operator;
- When the blade is pinched or bound tightly by the kerf closing down, the blade stalls and the motor reaction drives the unit rapidly back toward the operator;
- If the blade becomes twisted or misaligned in the cut, the teeth at the back edge of the blade can dig into the top surface of the wood causing the blade to climb out of the kerf and jump back toward the operator.

Kickback is the result of saw misuse and/or incorrect operating procedures or conditions and can be avoided by taking proper precautions as given below:

- a) **Maintain a firm grip with both hands on the saw and position your arms to resist kickback forces. Position your body to either side of the blade, but not in line with the blade.** Kickback could cause the saw to jump backwards, but kickback forces can be controlled by the operator, if proper precautions are taken.
- b) **When blade is binding, or when interrupting a cut for any reason, release the trigger and hold the saw motionless in the material until the blade comes to a complete stop. Never attempt to remove the saw from the work or pull the saw backward while the blade is in motion or kickback may occur.** Investigate and take corrective actions to eliminate the cause of blade binding.
- c) **When restarting a saw in the workpiece, centre the saw blade in the kerf and check that saw teeth are not engaged into the material.** If saw blade binds, it may walk up or kickback from the workpiece as the saw is restarted.
- d) **Support large panels to minimise the risk of blade pinching and kickback. Large panels tend to sag under their own weight.** Supports must be placed under the panel on both sides, near the line of cut and near the edge of the panel.
- e) **Do not use dull or damaged blades.** Unsharpened or improperly set blades produce narrow kerf causing excessive friction, blade binding and kickback.
- f) **Blade depth and bevel adjusting locking levers must be tight and secure before making cut.** If blade adjustment shifts while cutting, it may cause binding and kickback.
- g) **Use extra caution when sawing into existing walls or other blind areas.** The protruding blade may cut objects that can cause kickback.

### Safety Instructions for Plunge-Type Saws

- a) **Check guard for proper closing before each use. Do not operate the saw if guard does not move freely and enclose the blade instantly. Never clamp or tie the guard with the blade exposed. If saw is**

**accidentally dropped, guard may be bent.** Check to make sure that guard moves freely and does not touch the blade or any other part, in all angles and depths of cut.

- b) **Check the operation and condition of the guard return spring. If the guard and the spring are not operating properly, they must be serviced before use.** Guard may operate sluggishly due to damaged parts, gummy deposits, or a build-up of debris.
- c) **Assure that the base plate of the saw will not shift while performing the "plunge cut."** Blade shifting sideways will cause binding and likely kickback.
- d) **Always observe that the guard is covering the blade before placing saw down on bench or floor. An unprotected, coasting blade will cause the saw to walk backwards, cutting whatever is in its path.** Be aware of the time it takes for the blade to stop after switch is released.

## Additional Safety Instructions for All Saws with Riving Knife

- a) **Use the appropriate saw blade for the riving knife.** For the riving knife to function, the body of the blade must be thinner than the riving knife and the cutting width of the blade must be wider than the thickness of the riving knife.
- b) **Adjust the riving knife as described in this instruction manual.** Incorrect spacing, positioning and alignment can make the riving knife ineffective in preventing kickback.
- c) **For the riving knife to work, it must be engaged in the workpiece.** The riving knife is ineffective in preventing kickback during short cuts.
- d) **Do not operate the saw if riving knife is bent.** Even a light interference can slow the closing rate of a guard.

## Additional Safety Instructions for Plunge-Type Saws

- **Wear ear protectors.** Exposure to noise can cause hearing loss.
- **Wear a dust mask.** Exposure to dust particles can cause breathing difficulty and possible injury.
- **Do not use blades of larger or smaller diameter than recommended.** For the proper blade rating refer to the technical data. Use only the blades specified in this manual, complying with EN 847-1.
- **Use only saw blades that are marked with a speed equal or higher than the speed marked on the tool.**
- **Never use abrasive cut-off wheels.**

## Residual Risks

In spite of the application of the relevant safety regulations and the implementation of safety devices, certain residual risks cannot be avoided. These are:

- Impairment of hearing.
- Risk of personal injury due to flying particles.

- Risk of burns due to accessories becoming hot during operation.
- Risk of personal injury due to prolonged use.

## SAVE THESE INSTRUCTIONS

### Chargers

DEWALT chargers require no adjustment and are designed to be as easy as possible to operate.

### Electrical Safety

The electric motor has been designed for one voltage only. Always check that the battery pack voltage corresponds to the voltage on the rating plate. Also make sure that the voltage of your charger corresponds to that of your mains.



Your DEWALT charger is double insulated in accordance with IEC60335; therefore no earth wire is required.

If the supply cord is damaged, it must be replaced only by DEWALT or an authorised service organisation.

### Using an Extension Cable

An extension cord should not be used unless absolutely necessary. Use an approved extension cable suitable for the power input of your charger (see **Technical Data**). The minimum conductor size is 1 mm<sup>2</sup>; the maximum length is 30 m.

When using a cable reel, always unwind the cable completely.

### Important Safety Instructions for All Battery Chargers

**SAVE THESE INSTRUCTIONS:** This manual contains important safety and operating instructions for compatible battery chargers (refer to **Technical Data**).

- Before using charger, read all instructions and cautionary markings on charger, battery pack, and product using battery pack.



**WARNING:** Shock hazard. Do not allow any liquid to get inside charger. Electric shock may result.



**WARNING:** We recommend the use of a residual current device with a residual current rating of 30mA or less.



**CAUTION:** Burn hazard. To reduce the risk of injury, charge only DEWALT rechargeable batteries. Other types of batteries may burst causing personal injury and damage.



**CAUTION:** Children should be supervised to ensure that they do not play with the appliance.

**NOTICE:** Under certain conditions, with the charger plugged into the power supply, the exposed charging contacts inside the charger can be shorted by foreign material. Foreign materials of a conductive nature such as, but not limited to, steel wool, aluminum foil or any buildup of metallic particles should be kept away from charger cavities. Always unplug the charger from the power supply when there is no battery pack in the cavity. Unplug charger before attempting to clean

- **DO NOT attempt to charge the battery pack with any chargers other than the ones in this manual.** The charger and battery pack are specifically designed to work together.

- **These chargers are not intended for any uses other than charging DEWALT rechargeable batteries.** Any other uses may result in risk of fire, electric shock or electrocution.
- **Do not expose charger to rain or snow.**
- **Pull by plug rather than cord when disconnecting charger.** This will reduce risk of damage to electric plug and cord.
- **Make sure that cord is located so that it will not be stepped on, tripped over, or otherwise subjected to damage or stress.**
- **Do not use an extension cord unless it is absolutely necessary.** Use of improper extension cord could result in risk of fire, electric shock, or electrocution.
- **Do not place any object on top of charger or place the charger on a soft surface that might block the ventilation slots and result in excessive internal heat.** Place the charger in a position away from any heat source. The charger is ventilated through slots in the top and the bottom of the housing.
- **Do not operate charger with damaged cord or plug—** have them replaced immediately.
- **Do not operate charger if it has received a sharp blow, been dropped, or otherwise damaged in any way.** Take it to an authorised service centre.
- **Do not disassemble charger; take it to an authorised service centre when service or repair is required.** Incorrect reassembly may result in a risk of electric shock, electrocution or fire.
- *In case of damaged power supply cord the supply cord must be replaced immediately by the manufacturer, its service agent or similar qualified person to prevent any hazard.*
- **Disconnect the charger from the outlet before attempting any cleaning. This will reduce the risk of electric shock.** Removing the battery pack will not reduce this risk.
- **NEVER** attempt to connect two chargers together.
- **The charger is designed to operate on standard 230V household electrical power. Do not attempt to use it on any other voltage.** This does not apply to the vehicular charger.

## Charging a Battery (Fig. A)

1. Plug the charger into an appropriate outlet before inserting battery pack.
2. Insert the battery pack **14** into the charger, making sure the battery pack is fully seated in the charger. The red (charging) light will blink repeatedly indicating that the charging process has started.
3. The completion of charge will be indicated by the red light remaining ON continuously. The battery pack is fully charged and may be used at this time or left in the charger. To remove the battery pack from the charger, push the battery release button **15** on the battery pack.

**NOTE:** To ensure maximum performance and life of lithium-ion battery packs, charge the battery pack fully before first use.

## Charger Operation

Refer to the indicators below for the charge status of the battery pack.

### Charge Indicators

	Charging	
	Fully Charged	
	Hot/Cold Pack Delay*	

\*The red light will continue to blink, but a yellow indicator light will be illuminated during this operation. Once the battery pack has reached an appropriate temperature, the yellow light will turn off and the charger will resume the charging procedure. The compatible charger(s) will not charge a faulty battery pack. The charger will indicate faulty battery by refusing to light.

**NOTE:** This could also mean a problem with a charger.

If the charger indicates a problem, take the charger and battery pack to be tested at an authorised service centre.

### Hot/Cold Pack Delay

When the charger detects a battery pack that is too hot or too cold, it automatically starts a Hot/Cold Pack Delay, suspending charging until the battery pack has reached an appropriate temperature. The charger then automatically switches to the pack charging mode. This feature ensures maximum battery pack life.

A cold battery pack will charge at a slower rate than a warm battery pack. The battery pack will charge at that slower rate throughout the entire charging cycle and will not return to maximum charge rate even if the battery pack warms.

The DCB118 charger is equipped with an internal fan designed to cool the battery pack. The fan will turn on automatically when the battery pack needs to be cooled. Never operate the charger if the fan does not operate properly or if ventilation slots are blocked. Do not permit foreign objects to enter the interior of the charger.

### Electronic Protection System

XR Li-Ion tools are designed with an Electronic Protection System that will protect the battery pack against overloading, overheating or deep discharge.

The tool will automatically turn off if the Electronic Protection System engages. If this occurs, place the lithium-ion battery pack on the charger until it is fully charged.

### Wall Mounting

These chargers are designed to be wall mountable or to sit upright on a table or work surface. If wall mounting, locate the charger within reach of an electrical outlet, and away from a corner or other obstructions which may impede air flow. Use the back of the charger as a template for the location of the mounting screws on the wall. Mount the charger securely using drywall screws (purchased separately) at least 25.4 mm long with a screw head diameter of 7–9 mm, screwed into wood to an optimal depth leaving approximately 5.5 mm of the screw exposed. Align the slots on the back of the charger with the exposed screws and fully engage them in the slots.

## Charger Cleaning Instructions



**WARNING: Shock hazard. Disconnect the charger from the AC outlet before cleaning.** Dirt and grease may be removed from the exterior of the charger using a cloth or soft non-metallic brush. Do not use water or any cleaning solutions. Never let any liquid get inside the tool; never immerse any part of the tool into a liquid.

## Battery Packs

### Important Safety Instructions for All Battery Packs

When ordering replacement battery packs, be sure to include catalog number and voltage.

The battery pack is not fully charged out of the carton. Before using the battery pack and charger, read the safety instructions below. Then follow charging procedures outlined.

#### READ ALL INSTRUCTIONS

- **Do not charge or use battery in explosive atmospheres, such as in the presence of flammable liquids, gases or dust.** Inserting or removing the battery from the charger may ignite the dust or fumes.
- **Never force battery pack into charger. Do not modify battery pack in any way to fit into a non-compatible charger as battery pack may rupture causing serious personal injury.**
- Charge the battery packs only in DEWALT chargers.
- **DO NOT splash or immerse in water or other liquids.**
- **Do not store or use the tool and battery pack in locations where the temperature may reach or exceed 40 °C (104 °F) (such as outside sheds or metal buildings in summer).**
- **Do not incinerate the battery pack even if it is severely damaged or is completely worn out.** The battery pack can explode in a fire. Toxic fumes and materials are created when lithium-ion battery packs are burned.
- **If battery contents come into contact with the skin, immediately wash area with mild soap and water.** If battery liquid gets into the eye, rinse water over the open eye for 15 minutes or until irritation ceases. If medical attention is needed, the battery electrolyte is composed of a mixture of liquid organic carbonates and lithium salts.
- **Contents of opened battery cells may cause respiratory irritation.** Provide fresh air. If symptoms persists, seek medical attention.



**WARNING: Burn hazard.** Battery liquid may be flammable if exposed to spark or flame.



**WARNING: Never attempt to open the battery pack for any reason.** If battery pack case is cracked or damaged, do not insert into charger. Do not crush, drop or damage battery pack. Do not use a battery pack or charger that has received a sharp blow, been dropped, run over or damaged in any way (i.e., pierced with a nail, hit with a hammer, stepped on). Electric shock or electrocution may result. Damaged battery packs should be returned to service centre for recycling.



**WARNING: Fire hazard. Do not store or carry the battery pack so that metal objects can contact exposed battery terminals.** For example, do not place the battery pack in aprons, pockets, tool boxes, product kit boxes, drawers, etc., with loose nails, screws, keys, etc.



**CAUTION: When not in use, place tool on its side on a stable surface where it will not cause a tripping or falling hazard.** Some tools with large battery packs will stand upright on the battery pack but may be easily knocked over.

### Transportation



**WARNING: Fire hazard.** Transporting batteries can possibly cause fire if the battery terminals inadvertently come in contact with conductive materials. When transporting batteries, make sure that the battery terminals are protected and well insulated from materials that could contact them and cause a short circuit.

**NOTE: Lithium-ion batteries should not be put in checked baggage.**

DEWALT batteries comply with all applicable shipping regulations as prescribed by industry and legal standards which include UN Recommendations on the Transport of Dangerous Goods; International Air Transport Association (IATA) Dangerous Goods Regulations, International Maritime Dangerous Goods (IMDG) Regulations, and the European Agreement Concerning The International Carriage of Dangerous Goods by Road (ADR). Lithium-ion cells and batteries have been tested to section 38.3 of the UN Recommendations on the Transport of Dangerous Goods Manual of Tests and Criteria.

In most instances, shipping a DEWALT battery pack will be excepted from being classified as a fully regulated Class 9 Hazardous Material. In general, only shipments containing a lithium-ion battery with an energy rating greater than 100 Watt Hours (Wh) will require being shipped as fully regulated Class 9. All lithium-ion batteries have the Watt Hour rating marked on the pack. Furthermore, due to regulation complexities, DEWALT does not recommend air shipping lithium-ion battery packs alone regardless of Watt Hour rating. Shipments of tools with batteries (combo kits) can be air shipped as excepted if the Watt Hour rating of the battery pack is no greater than 100 Whr. Regardless of whether a shipment is considered excepted or fully regulated, it is the shipper's responsibility to consult the latest regulations for packaging, labeling/marketing and documentation requirements.

The information provided in this section of the manual is provided in good faith and believed to be accurate at the time the document was created. However, no warranty, expressed or implied, is given. It is the buyer's responsibility to ensure that its activities comply with the applicable regulations.

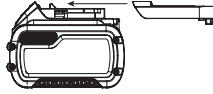
#### Transporting the FLEXVOLT™ Battery

The DEWALT FLEXVOLT™ battery has two modes: **Use** and **Transport**.

**Use Mode:** When the FLEXVOLT™ battery stands alone or is in a DEWALT 18V product, it will operate as an 18V battery. When the FLEXVOLT™ battery is in a 54V or a 108V (two 54V batteries) product, it will operate as a 54V battery.

**Transport Mode:** When the cap is attached to the FLEXVOLT™ battery, the battery is in transport mode. Keep the cap for shipping.

When in Transport mode, strings of cells are electrically disconnected within the pack resulting in 3 batteries with a lower Watt hour (Wh) rating as compared to 1 battery with a higher Watt hour rating. This increased quantity of 3 batteries with the lower Watt hour rating can exempt the pack from certain shipping regulations that are imposed upon the higher Watt hour batteries.



For example, the Transport Wh rating might indicate 3 x 36 Wh, meaning 3 batteries of 36 Wh each. The Use Wh rating might indicate 108 Wh (1 battery implied).

Example of Use and Transport Label Marking



### Storage Recommendations

1. The best storage place is one that is cool and dry away from direct sunlight and excess heat or cold. For optimum battery performance and life, store battery packs at room temperature when not in use.
2. For long storage, it is recommended to store a fully charged battery pack in a cool, dry place out of the charger for optimal results.

**NOTE:** Battery packs should not be stored completely depleted of charge. The battery pack will need to be recharged before use.

### Labels on Charger and Battery Pack

In addition to the pictographs used in this manual, the labels on the charger and the battery pack may show the following pictographs:



Read instruction manual before use.



See **Technical Data** for charging time.



Do not probe with conductive objects.



Do not charge damaged battery packs.



Do not expose to water.



Have defective cords replaced immediately.



Charge only between 4 °C and 40 °C.



Only for indoor use.



Discard the battery pack with due care for the environment.



Charge DeWALT battery packs only with designated DeWALT chargers. Charging battery packs other than the designated DeWALT batteries with a DeWALT charger may make them burst or lead to other dangerous situations.



Do not incinerate the battery pack.



USE (without transport cap). Example: Wh rating indicates 108 Wh (1 battery with 108 Wh).



TRANSPORT (with built-in transport cap). Example: Wh rating indicates 3 x 36 Wh (3 batteries of 36 Wh).

### Battery Type

The DCS520 operates on a 54 volt battery pack. The DCB546, DCB547, DCB548 battery packs may be used. Refer to **Technical Data** for more information.

### Package Contents

The package contains:

- 1 Plunge saw
  - 1 Hex wrench
  - 1 Li-Ion battery pack (T1 models)
  - 2 Li-Ion battery packs (T2 models)
  - 3 Li-Ion battery packs (T3 models)
  - 1 Instruction manual
- Check for damage to the tool, parts or accessories which may have occurred during transport.
  - Take the time to thoroughly read and understand this manual prior to operation.

### Markings on Tool

The following pictograms are shown on the tool:



Read instruction manual before use.



Wear ear protection.



Wear eye protection.



Maximum depth of cut



Blade diameter

## Date Code Position (Fig. A)

The date code **16**, which also includes the year of manufacture, is printed into the housing.

Example:

2019 XX XX

Year of Manufacture

## Description (Fig. A)



**WARNING:** Never modify the power tool or any part of it. Damage or personal injury could result.

- 1 Plunge trigger
- 2 On/off switch
- 3 Main handle
- 4 Shoe
- 5 Rail adjustment knobs
- 6 Bevel scale
- 7 Bevel adjustment knobs
- 8 Depth adjustment knobs
- 9 Depth scale
- 10 Blade
- 11 Front handle
- 12 Spindle lock button
- 13 Spindle lock lever
- 14 Battery pack
- 15 Battery release button
- 16 Date code
- 17 Dust extraction outlet
- 18 Anti-kickback knob
- 19 Speed wheel
- 20 Fuel gauge

## Intended Use

The DCS520 cordless plunge saw is designed for professional sawing of wood products.

**DO NOT** use under wet conditions or in the presence of flammable liquids or gases.

This heavy-duty plunge saw is a professional power tool.

**DO NOT** let children come into contact with the tool.

Supervision is required when inexperienced operators use this tool.

- **Young children and the infirm.** This appliance is not intended for use by young children or infirm persons without supervision.
- This product is not intended for use by persons (including children) suffering from diminished physical, sensory or mental abilities; lack of experience, knowledge or skills unless they are supervised by a person responsible for their safety. Children should never be left alone with this product.

## ASSEMBLY AND ADJUSTMENTS



**WARNING:** To reduce the risk of serious personal injury, turn tool off and disconnect battery pack before making any adjustments or removing/

*installing attachments or accessories. An accidental start-up can cause injury.*



**WARNING:** Use only DEWALT battery packs and chargers.

## Inserting and Removing the Battery Pack from the Tool (Fig. A)

**NOTE:** Make sure your battery pack **14** is fully charged.

### To Install the Battery Pack into the Tool

1. Align the battery pack **14** with the rails as shown in Figure A.
2. Slide it in until the battery pack is firmly seated in the tool and ensure that you hear it snap into place.

### To Remove the Battery Pack from the Tool

1. Press the release button **15** and firmly pull the battery pack out.
2. Insert battery pack into the charger as described in the charger section of this manual.

## Fuel Gauge Battery Packs (Fig. A)

Some DEWALT battery packs include a fuel gauge which consists of three green LED lights that indicate the level of charge remaining in the battery pack.

To actuate the fuel gauge, press and hold the fuel gauge button **20**. A combination of the three green LED lights will illuminate designating the level of charge left. When the level of charge in the battery is below the usable limit, the fuel gauge will not illuminate and the battery will need to be recharged.

**NOTE:** The fuel gauge is only an indication of the charge left on the battery pack. It does not indicate tool functionality and is subject to variation based on product components, temperature and end-user application.

## Bevel Adjustment (Fig. A)

The bevel angle can be adjusted between 0° and 47°.

1. Loosen the bevel adjustment knobs **7**.
2. Set the bevel angle by tilting the saw shoe **4** until the mark indicates the desired angle on the bevel scale **6**.
3. Tighten the bevel adjustment knobs **7**.

## Changing the Saw Blade (Fig. A–C)

**NOTE:** It is not necessary to remove the outer blade cover **23** to change the blade.

1. Remove the battery pack.
2. Press the spindle lock button **12**.
3. Press the plunge saw down until it stops (blade change position).
4. Turn the spindle lock lever **13** clockwise until it stops.
5. Hold the spindle lock lever **13** down and using the hex wrench found in the front handle **11**, rotate the blade until the lock position is found.

**NOTE:** The blade **10** is now locked and cannot be turned by hand.

6. Use the hex wrench to turn the blade clamping screw **24** counterclockwise to remove.

- Remove the outer flange **25** and used blade **10**. Place the new blade on the inner flange **26**.
- Replace the outer flange **25** and blade clamping screw **24**. Turn the screw clockwise by hand.

**NOTE:** The direction of rotation of the saw blade and the rotation of the plunge saw **MUST** be the same.

- Tighten the blade clamping screw firmly using the hex wrench.
- Release and turn the spindle lock lever **13** counterclockwise until it stops.
- Move the plunge saw back to top position.
- Push the plunge trigger **1** forward, to take the saw out of blade change mode.

## Adjusting the Riving Knife (Fig. A–C)

For the correct adjustment of the riving knife **21**, refer to Figure C. Adjust the clearance of the riving knife after changing the saw blade or whenever necessary.

- Follow **Changing the Saw Blade** steps 1–5.
- Loosen the riving knife adjustment screw **22** with a hex wrench and set the riving knife as shown in Figure C.
- Tighten the riving knife adjustment screw **22**.
- Turn the spindle lock lever **13** counterclockwise until it stops.
- Move the plunge saw back to top position.
- Push the plunge trigger **1** forward, to take the saw out of blade change mode.

## Depth of Cut Adjustment (Fig. D)

The cutting depth can be set at 0–59 mm without guide rail attached; with the guide rail attached: 0–55 mm.

- Loosen the depth adjustment knob **8** and move the pointer to obtain the correct depth of cut.
- Tighten the depth adjustment knob **8**.

**NOTE:** For optimal results, allow the saw blade to protrude from the workpiece by about 3 mm (Fig. D).



If this logo appears on your tool, your tool is equipped with Wireless Tool Control.

## Wireless Tool Control (Fig. A) (Available on some units)

**CAUTION:** Read all safety warnings, instruction and specifications of the appliance which is paired with this tool.

This tool is equipped with a Wireless Tool Control transmitter which allows it to be wirelessly paired with another Wireless Tool Control device, such as a dust extractor.

To pair your tool using Wireless Tool Control, press and hold the on/off switch **2** and the Wireless Tool Control pairing button on the separate device. An LED on the separate device will let you know when your tool has been successfully paired.

## OPERATION

### Instructions for Use



**WARNING:** Always observe the safety instructions and applicable regulations.



**WARNING:** To reduce the risk of serious personal injury, turn tool off and disconnect battery pack before making any adjustments or removing/installing attachments or accessories. An accidental start-up can cause injury.

### Proper Hand Position (Fig. E)



**WARNING:** To reduce the risk of serious personal injury, ALWAYS use proper hand position as shown.



**WARNING:** To reduce the risk of serious personal injury, ALWAYS hold securely in anticipation of a sudden reaction.

Proper hand position requires one hand on the front handle **11**, with the other hand on the main handle **3**.

### Switching On and Off (Fig. A)

Press the on/off switch **2** to turn the plunge saw on.

### Guiding the Tool (Fig. A, E, F)



**WARNING:**

- ALWAYS secure the workpiece in such a manner that it cannot move while sawing.
- ALWAYS push the machine forward. NEVER pull the machine backward towards you.
- ALWAYS use the plunge saw with both hands. Put one hand on the main handle **3** and the second hand on the front handle **11** as shown in Figure E.
- ALWAYS use the clamp to hold the rail to the workpiece.
- Use proper hand position to guide the saw properly.
- The cutting indicator **27** displays the cutting line for 0° and 47° cuts (without guide rail).
- The blade position indicator **29** shows the blade position for full plunge.
- For optimum results, clamp the workpiece bottom up.

### Cutting

- Place the machine with the front part of the saw shoe **4** on the workpiece.
- Push the plunge trigger **1** forward, then press the on/off switch **2** to turn the saw on.
- Press the saw down to set cutting depth and push it forward in the cutting direction.

### Plunge Cuts



**WARNING:** To avoid kickbacks, the following instructions **MUST** be observed when plunge cutting:

- Place the machine onto the guide rail and release the anti-kickback knob **18** by turning it counterclockwise.
- Turn the machine on and slowly press the saw down onto the set cutting depth and push forward in the



cutting direction. The cutting indicators **27** display the absolute front and the absolute rear cutting points of the saw blade (dia. 165 mm) at maximum cutting depth and using the guide rail.

- If kickback happened during the plunge cut, turn the anti-kickback knob **18** counterclockwise to release it from the rail.
- When you have finished the plunge cut, turn the anti-kickback knob **18** clockwise into the lock position.

## Guide Rail System (Fig. A, F)

The guide rails **28**, which are available in different lengths, allow for precise, clean cuts and simultaneously protect the workpiece surface against damage.

In conjunction with additional accessories, exact angled cuts, mitre cuts and fitting work can be completed with the guide rail system.

Securing the workpiece with clamps ensures a secure hold and safe working.

The guide clearance of the plunge saw must be very small for best cutting results and can be set with the two rail adjustment knobs **5**.

1. Release the screw inside the rail adjustment knobs **5** to adjust the clearance.
2. Adjust the knob until saw locks on rail.
3. Rotate knob back until saw slides easily.
4. Hold the rail adjustment knob in position and lock the screw again.

**NOTE:** ALWAYS readjust the system for use with other rails.

## Anti-Splinter Guard (Fig. G, H)

The guide rail **28** is equipped with an anti-splinter guard **30**, which has to be trimmed before the first use.

The anti-splinter guard **30** is situated on each edge of the guide rail (**28**, Fig. G). The purpose of this anti-splinter guard is to provide the user with a visible blade cut line while reducing the chipping that occurs along the workpiece cut edge during cutting.

**IMPORTANT:** ALWAYS read and follow the **Guide Rail System** instructions before cutting the splinterguard!

1. Set the speed of the plunge saw to level 7.
2. Place the guide rail **28** on a scrap piece of wood. Use a clamp to ensure that the guide rail is securely attached to the workpiece. This will ensure accuracy.
3. Set the plunge saw on 5 mm cut depth.
4. Place the saw on the rear end of the guide rail.
5. Turn the saw on, press it down to the set cutting depth and cut the anti-splinter guard **30** along the full length in one continuous operation. The edge of the anti-splinter guard now corresponds exactly to the cutting edge of the blade.

To trim the anti-splinter guard on the other side of the guide rail, remove the saw from the rail and rotate the rail 180°. Repeat steps 1 through 4.

**NOTE:** If desired, the splinter guard can be bevelled to 45°, then repeat steps 1 through 4. This allows one side of the rail for

cutting parallel cuts and the other side of the rail is tuned in for 45° bevel cuts (Fig. H).

**NOTE:** If the anti-splinter guard is trimmed for parallel cutting on both sides, then when the unit is bevelled, the blade will not run true to the edge of the anti-splinter guard. This is because the pivot point of the unit bevel is not stationary and the blade moves out when the unit is bevelled.



**WARNING:** To reduce the risk of injury, ALWAYS secure the guide rail with a clamp.

## Speed Adjustment (Fig. A)

The speed can be regulated between 2500 and 4200 rpm using the speed wheel **19**. This enables you to optimise the cutting speed to suit the material. Refer to the following chart for type of material and speed range.

Type of Material to be Cut	Speed Range
Solid wood (hard, soft)	3–7
Chipboards	4–7
Laminated wood, blockboards, veneered and coated boards	2–7
Paper and carton	1–3

## Door Cutting (Fig. I)

1. Place the plunge saw with the outer guard **23** on a clean, flat floor.
2. Press the shoe **4** with the front side on the door against the adjusted depth stop.

## Dust Extraction (Fig. A)



**WARNING:** Risk of dust inhalation. To reduce the risk of personal injury, ALWAYS wear an approved dust mask.

Your tool is fitted with a dust extraction outlet **17**.

The Dust Extraction Adaptor allows you to connect the tool to an external dust extractor, either using the AirLock™ system (DWV9000-XJ), or a standard 35 mm dust extractor fitting.



**WARNING:** ALWAYS use a vacuum extractor designed in compliance with the applicable directives regarding dust emission when sawing wood. Vacuum hoses of most common vacuum cleaners will fit directly into the dust extraction outlet.

## MAINTENANCE

Your DEWALT power tool has been designed to operate over a long period of time with a minimum of maintenance. Continuous satisfactory operation depends upon proper tool care and regular cleaning.



**WARNING:** To reduce the risk of serious personal injury, turn tool off and disconnect battery pack before making any adjustments or removing/installing attachments or accessories. An accidental start-up can cause injury.

The charger and battery pack are not serviceable.



## Lubrication

Your power tool requires no additional lubrication.



## Cleaning



**WARNING:** Blow dirt and dust out of the main housing with dry air as often as dirt is seen collecting in and around the air vents. Wear approved eye protection and approved dust mask when performing this procedure.



**WARNING:** Never use solvents or other harsh chemicals for cleaning the non-metallic parts of the tool. These chemicals may weaken the materials used in these parts. Use a cloth dampened only with water and mild soap. Never let any liquid get inside the tool; never immerse any part of the tool into a liquid.

## Optional Accessories



**WARNING:** Since accessories, other than those offered by DEWALT, have not been tested with this product, use of such accessories with this tool could be hazardous. To reduce the risk of injury, only DEWALT recommended accessories should be used with this product.

Consult your dealer for further information on the appropriate accessories.

## Protecting the Environment



Separate collection. Products and batteries marked with this symbol must not be disposed of with normal household waste.



Products and batteries contain materials that can be recovered or recycled reducing the demand for raw materials. Please recycle electrical products and batteries according to local provisions. Further information is available at [www.2helpU.com](http://www.2helpU.com).

## Rechargeable Battery Pack

This long life battery pack must be recharged when it fails to produce sufficient power on jobs which were easily done before. At the end of its technical life, discard it with due care for our environment:

- Run the battery pack down completely, then remove it from the tool.
- Li-Ion cells are recyclable. Take them to your dealer or a local recycling station. The collected battery packs will be recycled or disposed of properly.

# 충전 플런지 쏘

## DCS520

### 축하합니다!

DeWALT 공구를 선택해 주셔서 감사합니다. 제품 개발과 혁신을 통한 다년간의 경험은 DeWALT를 전문 전동 공구 사용자들이 가장 믿을 수 있는 제품으로 만들어 왔습니다.

### 기술 데이터

DCS520			
전압	V <sub>bc</sub>	54/60V Max	
배터리 유형		리튬 이온	
무부하 속도	분-1	2500-4200	
톱날 직경	mm	165	
최대 절삭 깊이			
	90°(가이드 레일 미포함)	mm	59
	90°(가이드 레일 포함)	mm	55
톱날 구멍	mm	20	
베벨각 조정		47°	
무게(배터리 팩 제외)	kg	4.7	

무 부하 시, 배터리 최대전압(Max)은 60V이며, 공칭전압(Nominal)은 54V입니다.



**경고:** 부상 위험을 줄이려면 사용 설명서를 숙지하십시오.

### 정의: 안전 지침

다음 정의는 각 경고 문구의 심각도를 설명합니다. 사용 설명서를 읽고 다음 기호들에 유의하십시오.



**위험:** 절박한 위험 상태를 나타내며, 방지하지 않으면 사망 또는 심각한 부상을 초래합니다.



**경고:** 잠재적 위험 상태를 나타내며, 방지하지 않으면 사망 또는 심각한 부상을 초래할 수 있습니다.



**주의:** 잠재적으로 위험한 상태를 나타내며, 방지하지 않으면 경미하거나 가벼운 부상을 초래할 수 있습니다.

**참고:** 신체 부상을 초래하지 않는 행위를 나타내며, 방지하지 않으면 재산상의 손해가 발생할 수 있습니다.



감전 위험을 나타냅니다.



화재 위험을 나타냅니다.

카테고리 번호	배터리			충전기/충전 시간(분)					
	V <sub>bc</sub>	Ah	무게(Kg)	DCB107	DCB112	DCB115	DCB118	DCB132	DCB119
DCB546	20/60V MAX	6.0/2.0	1.05	270	140	90	60	90	X
DCB606	20/60V MAX	6.0/2.0	1.05	270	140	90	60	90	X
DCB547	20/60V MAX	9.0/3.0	1.25	420	220	140	85	140	X
DCB609	20/60V MAX	9.0/3.0	1.25	420	220	140	85	140	X
DCB181	20V MAX	1.5	0.35	70	35	22	22	22	45
DCB182	20V MAX	4.0	0.61	185	100	60	60	60	120
DCB204	20V MAX	4.0	0.61	185	100	60	60	60	120
DCB183/B	20V MAX	2.0	0.40	90	50	30	30	30	60
DCB203	20V MAX	2.0	0.40	90	50	30	30	30	60
DCB184/B	20V MAX	5.0	0.62	240	120	75	75	75	150
DCB205	20V MAX	5.0	0.62	240	120	75	75	75	150
DCB185	20V MAX	1.3	0.35	60	30	22	22	22	X
DCB187	20V MAX	3.0	0.48	140	70	45	45	45	90

### 전동 공구에 관한 일반 안전 경고



**경고:** 안전 경고와 지시 사항을 모두 읽으십시오. 경고와 지시 사항을 준수하지 않으면 감전, 화재 및/또는 심각한 부상을 초래할 수 있습니다.

**향후 참고할 수 있도록 모든 경고 및 지시 사항을 보관해두십시오.**

경고에서 사용된 "전동 공구"라는 용어는 주 공급 전원에 의해 전기가 공급되는(유선) 전동 공구 또는 충전식(무선) 전동 공구를 의미합니다.

### 작업장 안전

- 작업장을 항상 청결하고 밝게 유지하십시오. 혼잡하거나 어두운 작업장에서는 사고가 발생하기 쉽습니다.
- 가연성 액체, 가스 또는 먼지 등 폭발 가능성이 있는 환경에서 전동 공구를 사용하지 마십시오. 전동 공구에서 먼지나 가스를 발화시킬 수 있는 불꽃이 될 수 있습니다.

- c) 전동공구를 사용하는 공간에는 어린이 또는 주변 사람들이 가까이 오지 못하도록 하십시오. 주변이 산만해져 통제력을 잃을 수 있습니다.

## 전기 안전

- a) 전동공구의 플러그는 콘센트와 형식이 일치해야 하며, 플러그를 어떤 형태로든 개조하지 마십시오. 또한 접지된 전동공구에 다른 어댑터 플러그를 사용하지 마십시오. 개조되지 않은 플러그 및 형식이 일치하는 콘센트를 사용하면 감전 위험이 줄어듭니다.
- b) 파이프 관, 라디에이터, 렌즈, 냉장고 등의 접지 표면에 물이 닿지 않도록 하십시오. 몸에 닿을 경우 감전이 될 위험이 높아집니다.
- c) 전동 공구를 비 또는 습한 환경에 노출하지 않도록 주의하십시오. 전동 공구에 물이 들어가면 감전 위험이 높아집니다.
- d) 코드를 함부로 다루지 마십시오. 코드를 사용하여 전동공구를 운반하거나, 코드를 과도하게 잡아당겨서 플러그를 뽑지 않도록 주의 하십시오. 전열코드가 열기 또는 오일과 접촉되는 것을 피하고, 날카로운 모서리 또는 기기의 기둥 부위에 닿지 않도록 주의 하십시오. 코드가 손상되거나 얽혀 있으면 감전 위험이 높아집니다.
- e) 전동 공구를 실외에서 사용할 때는 실외 사용에 적합한 연장 코드를 사용하십시오. 실외 사용에 적합한 코드를 사용하면 감전 위험이 줄어듭니다.
- f) 전동공구를 습한 공간에서 사용할 경우, 반드시 누전 차단기를 사용하십시오. 누전 차단기를 사용하면 감전의 위험이 줄어듭니다. 누전 차단기를 사용하면 감전의 위험이 줄어듭니다.

## 신체 안전 사항

- a) 전동 공구로 작업할 때는 방심하지 말고 작업에 주의하면서 상식에 따르십시오. 피곤한 상태이거나 약물, 술, 치료제를 복용한 상태에서 전동 공구를 사용하지 마십시오. 전동 공구를 사용하는 중에 주의력을 잃어 순간적으로 부상을 당할 수 있습니다.
- b) 신체 보호 장비를 착용하십시오. 항상 보안경을 착용하십시오. 적절한 상황에서 방진 마스크, 미끄럼 방지 안전화, 안전모 또는 청력 보호 기구 등의 보호 장비를 사용하면 신체 부상 위험이 줄어듭니다.
- c) 의도하지 않은 장비 가동 방지. 전원 및/또는 배터리 팩에 연결한 상태로 공구를 선택 또는 운반할 때는 사전에 스위치가 꺼짐 위치에 있는지 반드시 확인하십시오. 스위치가 꺼짐 위치에 있는 상태에서 스위치에 손가락이 닿은 상태로 전동 공구를 운반하거나 전동 공구에 전원을 공급하면 사고가 발생합니다.
- d) 전동 공구를 켜기 전에 모든 조정 키 또는 렌치를 제거하십시오. 전동 공구의 회전 부품에 렌치나 키가 부착되어 있으면 부상을 당할 수 있습니다.
- e) 무리하게 팔을 뻗지 마십시오. 항상 올바른 자세로 서서 균형을 유지하십시오. 안정된 자세로

작업을 할 경우 전동 공구를 안전하게 사용할 수 있습니다.

- f) 적절한 작업복을 착용합니다. 헐렁한 옷이나 장신구를 착용하지 마십시오. 머리카락, 옷 및 장갑이 움직이는 부품에 닿지 않도록 유의하십시오. 헐렁한 옷, 장신구 또는 긴 머리가 움직이는 부품에 걸 수 있습니다.
- g) 먼지 배출 및 집진 시설 연결을 위한 장치가 제공된 경우, 이들 장치가 연결되어 적절히 사용되고 있는지 반드시 확인하십시오. 집진 장치를 사용하면 먼지와 관련된 위험을 줄일 수 있습니다.

## 전동 공구 사용 및 관리

- a) 전동 공구에 무리한 힘을 가하지 마십시오. 해당 용도에 맞는 올바른 전동 공구를 사용하십시오. 올바른 전동 공구를 사용해야 설계된 속도로 작업을 더욱 안전하고 정확하게 수행할 수 있습니다.
- b) 켜지지 않거나 꺼지지 않는 경우 전동 공구를 사용하지 마십시오. 스위치로 제어되지 않는 전동 공구는 위험하므로 수리해야 합니다.
- c) 전동 공구를 조정하거나 액세서리를 변경하거나 보관하기 전에 전원 및/또는 배터리 팩에서 플러그를 빼십시오. 이러한 예방적 안전 조치를 따라야 전동 공구가 갑자기 작동할 위험이 줄어듭니다.
- d) 사용하지 않는 전동 공구는 어린이의 손이 닿지 않는 곳에 보관하고, 전동 공구나 본 지시 사항에 익숙하지 않은 사람이 전동 공구를 절대 사용하지 못하게 하십시오. 전동공구에 대한 훈련을 받지 않은 사용자가 전동공구를 함부로 다룰 경우 예기치 않은 사고를 초래 할 수 있습니다.
- e) 전동 공구 유지 보수. 움직이는 부품의 잘못된 정렬이나 바인딩, 부품 파손 및 기타 전동 공구의 작동에 영향을 미칠 수 있는 기타 모든 상태를 확인하십시오. 손상된 부분이 있는 경우 사용하기 전에 전동 공구를 수리하십시오. 많은 사고는 전동 공구를 제대로 유지 보수하지 않아 발생합니다.
- f) 절단 공구를 예리하고 깨끗한 상태로 유지하십시오. 절삭 가장리리를 예리하게 잘 유지하면 절삭기를 사용할 때 바인딩이 적고 다루기가 용이합니다.
- g) 작업 환경과 수행할 작업을 고려하여, 본 지시 사항에 따라 전동 공구, 액세서리 및 톨 비트 등을 사용하십시오. 본 사용 설명서의 내용과 다른 용도로 전동 공구를 사용하면 위험한 상황이 발생할 수 있습니다.

## 배터리 공구 사용 및 관리

- a) 다시 충전할 때는 제조업체에서 지정한 충전기만 사용하십시오. 한 배터리 팩 유형에 적합한 충전기를 다른 배터리 팩과 함께 사용할 경우 화재의 위험이 있습니다.

- b) 전동 공구를 사용할 때는 특수 설계된 배터리 팩을 함께 사용하십시오. 다른 배터리 팩을 사용하면 부상을 입거나 화재의 위험이 있습니다.
- c) 배터리 팩을 사용하지 않을 때에는 클립, 동전, 키, 못, 나사 등의 금속 물체나, 단자 간에 연결할 수 있는 작은 금속 물체가 닿지 않도록 멀리 두십시오. 배터리 단자가 단락되면 화상을 입거나 화재가 발생할 위험이 있습니다.
- d) 배터리를 과다 사용하면 배터리액이 흘러 나올 수 있는데 접촉을 피하십시오. 실수로 접촉한 경우에는 물로 씻으십시오. 액체가 눈에 들어가면 치료를 받으십시오. 배터리에서 나온 액체는 통증을 유발하거나 화상을 입힐 수 있습니다.

## 정비

- a) 자격을 갖춘 기술자가 동일 교체 부품을 사용하여 정비 작업을 수행해야 합니다. 그래야 전동 공구의 안전이 보장됩니다.

## 추가적인 특정 안전 규칙

### 모든 톱에 대한 안전 지시 사항

- a) △ 위험: 절단 영역과 날에서 손을 멀리 두십시오. 다른 손은 보조 핸들 또는 모터 하우징에 두십시오. 양손으로 톱을 잡고 있을 경우 날로 절단할 수 없습니다.
- b) 작업물 밑으로 들어가지 마십시오. 가드가 작업대 아래에서 작업자를 날로부터 보호할 수 없습니다.
- c) 절삭 깊이는 작업물의 두께로 조정하십시오. 작업물 아래로 톱니의 전체 이보다 적게 보일 수 있어야 합니다.
- d) 손으로 또는 다리 사이로 절삭되고 있는 조각을 잡지 마십시오. 작업물을 안정된 대에 고정하십시오. 신체 노출, 날 바인딩 또는 통제력 손실을 최소화하려면 작업물을 적절하게 지지하는 것이 중요합니다.
- e) 절삭 공구가 숨겨진 배선에 접촉할 수 있는 작업을 수행할 때는 절연된 그림핑 표면이 날도록 하여 전동 공구를 잡으십시오. "전류가 흐르는" 전선과 접촉하면 전동 공구의 노출된 금속 부분에 "전류가 흘러" 작업자가 감전될 수 있습니다.
- f) 떼어낼 때는 항상 림 펜스 또는 직선 자 가이드를 사용하십시오. 이렇게 하면 절단의 정확도가 개선되고 날 바인딩의 기회가 줄어듭니다.
- g) 항상 정확한 정자 구멍의 크기 및 모양 (다이아몬드 대 원형)의 날을 사용하십시오. 톱의 장착 장비와 맞지 않는 날은 중심을 벗어나 작동하여 통제력을 잃을 수 있습니다.
- h) 손상되었거나 정확하지 않은 날 와서 또는 볼트를 절대로 사용하지 마십시오. 날 와서 및 볼트는 절삭의 성능 및 안전한 작동을 위해 톱에 맞게 특수 설계되었습니다.

### 반동의 원인과 작업자의 예방 조치

- 반동은 끼거나 튀거나 오용된 톱날에 대한 급작스러운 반작용으로, 통제되지 않은 톱이 위로

올라가 작업자 쪽으로 작업물 밖으로 나갈 수 있습니다.

- 날이 끼거나 절단 마무리로 인해 약간 툄 때 날이 멈추고 모터 반작용이 장치를 빠르게 작업자 뒤쪽으로 밀어 넣는 현상입니다.
- 날이 절단 시 튕트리거나 어긋나는 경우, 날의 뒤쪽 가장자리의 이가 목재의 상부 표면을 파고들어 날이 절단을 벗어나 위로 움직여 작업자 뒤쪽으로 휩 움직일 수 있습니다.

반동은 톱을 잘못 사용하거나 잘못된 조작 절차 또는 조건으로 인해 발생할 수 있으며 아래와 같은 올바른 예방 조치를 통해 막을 수 있습니다.

- a) 톱을 두 손으로 꼭 잡고 반동의 힘을 막을 수 있도록 팔의 위치를 잡습니다. 몸은 날의 어느 쪽이든 위치하고, 날의 라인과 일치하지 않도록 합니다. 반동은 톱이 뒤쪽으로 휩 움직일 수 있지만, 적절한 예방 조치를 취할 경우 반동의 힘은 작업자가 통제할 수 있습니다.
- b) 날이 바인딩할 때 또는 어떤 이유로든 절단을 차단할 때는 트리거를 해제하고 날이 완전히 정지할 때까지 톱이 재료에서 움직이지 않게 잡고 있습니다. 날이 움직이고 있을 때 또는 반동이 발생할 수 있을 경우에는 작업에서 톱을 빼거나 톱을 뒤쪽으로 당기지 마십시오. 날 바인딩의 원인을 제거하려면 그 원인을 조사하여 정확한 조치를 취하십시오.
- c) 작업물에서 톱을 집어 넣을 때 톱날을 커프 중앙에 두고 톱니가 재료에 잘 맞물렸는지 확인하십시오. 톱날이 바인딩되어 있을 경우, 톱이 다시 가동함에 따라 작업물에서 멀어지거나 반동될 수 있습니다.
- d) 큰 판을 지지하여 날이 끼고 반동되는 위험을 최소화하십시오. 큰 판은 자체 무게로 인해 휘는 경향이 있습니다. 판 아래 양쪽, 컷 라인 근처 및 판 가장자리 근처에 지지대를 놓아야 합니다.
- e) 무디거나 손상된 날을 사용하지 마십시오. 무디거나 또는 적절하지 않게 세팅한 날은 좁은 절삭을 만들어 과도한 마찰, 날 바인딩 및 반동을 야기할 수 있습니다.
- f) 절단을 하기 전에 날 깊이 및 베벨을 조정하는 잠금 레버를 조여서 고정해야 합니다. 절단하는 동안 날 조정을 바꿀 경우 바인딩 및 반동을 야기할 수 있습니다.
- g) 기존의 벽 또는 다른 앞이 안 보이는 영역에 "플런지 컷" 을 할 때는 각별히 주의하십시오. 튀어 나온 날이 반동을 야기할 수 있는 물체를 뺄 수 있습니다.

### 플런지형 쏘에 대한 안전 지시 사항

- a) 매번 사용하기 전에 적절한 마무리를 위해 가드를 확인하십시오. 가드가 자유롭게 움직이지 않고 즉시 날을 감싸는 경우 톱을 작동하지 마십시오. 날이 노출된 상태에서 가드를 조이거나 묶지 마십시오. 톱을 실제로 떨어뜨릴 경우, 가드가 휩 수 있습니다. 가드가 자유롭게 움직이는지 확인하고 모든 각도 및

절삭 깊이에서 날이나 기타 모든 부품을 만지지 마십시오.

- b) **가드 리턴 스프링의 작동 및 상태를 확인하십시오. 가드와 스프링이 적절하게 작동하지 않을 경우, 사용하기 전에 정비해야 합니다.** 가드는 손상된 부품, 고무진이 묻은 침전물 또는 잔해물 더미로 인해 느릿느릿 작동할 수 있습니다.
- c) **날 베벨 설정이 90°에 있지 않을 때 “플런지 절단”을 수행하는 동안 톱의 가드 판이 이동하지 않도록 확인하십시오.** 옆으로 날이 이동하면 바이딩 및 반동을 야기할 수 있습니다.
- d) **항상 벤치 또는 마루에 톱을 내려 놓기 전에 가드가 날을 덮고 있는지 주의하십시오.** 보호되지 않은 타성의 날이 톱을 뒤쪽으로 움직여 무엇이 있든지 간에 절삭할 수 있도록 합니다. 스위치를 해제한 후 날이 정지하는 데 걸리는 시간을 유의하십시오.

## 동근톱 분할날이 장착된 모든 톱에 대한 추가 안전 지시 사항

- a) **사용 중인 날에 적합한 동근톱 분할날을 사용하십시오.** 작업할 동근톱 분할날의 경우, 날의 중심부보다 두꺼워야 하지만 날의 이보다는 얇아야 합니다.
- b) **본 사용 설명서에 설명된 대로 동근톱 분할날을 조정합니다.** 간격, 위치 및 정렬이 부정확하면 동근톱 분할날이 반동을 방지하는 데 효과가 없을 수 있습니다.
- c) **플런지 절단 시를 제외하고 항상 동근톱 분할날을 사용하십시오.** 플런지 절단 후 동근톱 분할날을 교체해야 합니다. 동근톱 분할날이 플런지 절단 중에 간섭을 유발해 반동을 야기할 수 있습니다.
- d) **작업할 동근톱 분할날의 경우, 작업물에 들어가야 합니다.** 짧은 절단 시 동근톱 분할날은 반동을 방지하는 데 효과적이지 않습니다.
- e) **동근톱 분할날이 흰 경우 톱을 조작하지 마십시오.** 가벼운 간섭이라도 가드의 근접속도가 느려질 수 있습니다.

## 플런지형 소에 대한 추가 안전 지시 사항

- **귀 보호 장구를 착용하십시오.** 소음에 노출되면 청력이 손상될 수 있습니다.
- **방진 마스크를 착용하십시오.** 분진에 노출되면 숨을 쉬기가 어렵고 부상당할 위험이 있을 수 있습니다.
- **권장하는 것보다 더 크거나 더 작은 날을 사용하지 마십시오.** 적절한 정격 톱날에 대해서는 기술 데이터를 참조하십시오. EN 847-1을 준수하는, 본 사용 설명서에 지정된 날만 사용하십시오.
- **연삭 절단 활을 사용하지 마십시오.**

## 기타 발생 가능한 위험

관련된 안전 규정을 준수하고 안전 장치를 사용한다고 해도 특정한 위험은 피할 수 없습니다. 이러한 위험은 다음과 같습니다.

- 청력 손상.
- 파편 날림으로 인한 신체 부상 위험.
- 작업 중 뜨거워지는 액세서리로 인한 화상 위험.
- 장시간 사용으로 인한 신체 부상의 위험.

## 전기 안전

전기 모터는 한 가지 전압에만 맞추어 설계되었습니다. 배터리 팩 전압이 명판에 기재된 전압과 일치하는지 항상 확인하십시오. 또한 충전기의 전압이 주전원의 전압과도 일치하는지 확인하십시오.



DEWALT 충전기는 IEC60335에 따라 이중 절연되어 있습니다. 따라서 접지선이 필요하지 않습니다.

전원 코드가 손상된 경우에는 DEWALT 서비스 센터를 통해 특수 제작된 코드로 교체해야만 합니다.

## 연장 케이블 이용

연장 코드는 가급적 사용하지 마십시오. 사용 중인 전원공급기 정격전원에 맞는 승인된 연장 코드를 사용하십시오(**기술 데이터** 참조). 최소 도체 크기는 1 mm<sup>2</sup>, 최대 길이는 30 m입니다.

케이블 릴을 사용할 때는 항상 케이블을 완전히 푸십시오.

**본 지침을 잘 보관해 두십시오.**

## 충전기

DEWALT 충전기는 어떠한 조절 작업도 필요 없으며 최대한 작동하기 쉽게 설계되었습니다.

## 모든 배터리 충전기에 대한 중요한 안전 지침

**본 지침을 잘 보관해 두십시오.** 본 사용 설명서에는 호환이 되는 배터리 충전기에 대한 중요한 안전 및 작업 지침이 포함되어 있습니다(**기술 데이터** 참조).

- 충전기를 사용하기 전에 충전기, 배터리 팩, 그리고 배터리 팩 관련 제품에 대한 지침과 주의 표시를 숙지하십시오.



**경고:** 감전 위험. 충전기 내부에 액체가 들어가지 않도록 하십시오. 감전될 수 있습니다.



**경고:** 정격 전류 전류가 30mA 미만인 누전 차단기를 사용하는 것이 좋습니다.



**주의:** 화상 위험. 신체 부상의 위험을 줄이려면 DEWALT 충전용 배터리로만 충전하십시오. 다른 유형의 배터리는 폭발로 인한 신체 부상과 손상을 초래할 수 있습니다.



**주의:** 어린이가 본 제품을 가지고 놀지 못하도록 항상 주시해야 합니다.

**참고:** 특정 조건에서, 충전기가 전원 공급기에 연결되어 있으면 충전기 내부에 노출된 충전 접점이 이물질에 의해 단락될 수 있습니다. 철부스리기, 알루미늄 호일, 금속 입자 축적물 등의 전도성 이물질은 충전기 캐비티에 닿지

않게 해야 합니다. 캐비티 안에 배터리 팩이 없을 경우 항상 배터리 전원 공급기에서 충전기의 플러그를 뽑으십시오. 충전기를 청소할 때는 플러그를 뽑아야 합니다.

- **본 사용 설명서에 명시된 충전기 외의 다른 충전기로 배터리 팩을 충전하지 마십시오.** 본 충전기와 배터리 팩은 함께 사용하도록 특수 설계되었습니다.
- **이러한 충전기는 DEWALT 충전용 배터리 충전 이외의 용도로는 사용할 수 없습니다.** 다른 용도로 사용하면 화재, 감전 또는 감전사의 위험이 있습니다.
- **충전기가 비나 눈을 맞지 않도록 하십시오.**
- **충전기를 분리할 경우 코드가 아니라 플러그를 뽑으십시오.** 그래야만 전기 플러그 및 코드 손상의 위험이 줄어듭니다.
- **코드가 밟히거나 걸리거나 기타 원인에 의해 손상되거나 압박을 받지 않도록 유의하십시오.**
- **불가피한 경우가 아니면 연장 코드를 사용하지 마십시오.** 연장 코드를 잘못 사용하면 화재, 감전 또는 감전사의 위험이 있습니다.
- **충전기 위에 물건을 올려놓거나 부드러운 표면에 충전기를 두면 환기 슬롯이 막혀 내부가 과열될 수 있습니다.** 충전기는 열원에 가까이 두지 마십시오. 충전기는 하우징의 상단과 하단에 있는 슬롯을 통해 환기됩니다.
- **코드나 플러그가 손상된 충전기를 작동시키지 마십시오** — 즉시 교체하십시오.
- **심한 충격을 받았거나 떨어뜨렸거나 기타의 방식으로 손상된 경우에는 충전기를 작동시키지 마십시오.** 공인 서비스 센터로 가져가십시오.
- **충전기를 분해하지 마십시오.** 서비스가 수리가 필요한 경우에는 공인 서비스 센터로 가져가십시오. 잘못 재조립하면 화재, 감전 또는 감전사의 위험이 있습니다.
- **전원 코드가 손상된 경우 사고 방지를 위해 제조업체, 서비스 대리점 또는 이에 준하는 자격을 가진 수리 기술자를 통해 즉시 교체하십시오.**
- **청소하려면 먼저 충전기를 콘센트에서 분리하십시오.** 그래야 감전 위험이 줄어듭니다. 배터리 팩을 제거하는 것만으로 이러한 위험이 줄어들지는 않습니다.
- **절대로 충전기 두 개를 함께 연결하지 마십시오.**
- **충전기는 가정용 표준 전력(220-240V)으로 작동하도록 설계되어 있습니다.** 다른 전압에서는 사용하지 마십시오. 차량용 충전기는 제외됩니다.

## 배터리 충전(그림 A)

1. 배터리 팩을 끼우기 전에 충전기를 적절한 콘센트에 꽂습니다.
2. 충전기에 배터리 팩 **14** 을 끼우고 배터리 팩이 완벽히 장착되었는지 확인하십시오. 빨간색 (충전 중) 표시등이 반복해서 깜박이면서 충전 프로세스가 시작되었음을 알립니다.
3. 충전이 완료되면 빨간색 불이 계속 켜져 있습니다. 배터리 팩이 완전히 충전되면 바로 사용하거나 충전기에 그대로 둡니다. 배터리 팩을 충전기에서

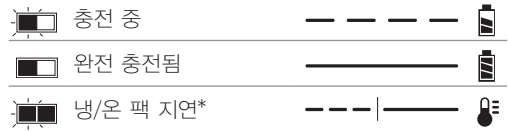
분리하려면, 배터리 팩에 있는 배터리 탈착 버튼 **15** 을 누릅니다.

**참고:** 리튬이온 배터리 팩의 성능과 수명을 극대화하려면 처음 사용하기 전에 배터리 팩을 완전히 충전시키십시오.

## 충전기 작동

배터리 팩의 충전 상태는 아래 표시등을 참조하십시오.

### 충전 표시등



\*빨간색 표시등이 계속 깜박거리지만, 노란색 표시등은 이 작동 동안 계속 켜져 있습니다. 배터리 팩이 적정 온도에 도달하면, 노란색 표시등이 꺼지고 충전기에서 충전 절차를 다시 시작합니다.

이 호환 충전기는 손상된 배터리 팩은 충전하지 못합니다. 충전기는 불이 켜지지 않거나 문제가 있는 팩을 표시하거나 충전기의 깜빡이는 패턴으로 배터리 고장을 나타냅니다.

**참고:** 이는 충전기 고장을 의미할 수도 있습니다.

충전기에 문제가 표시되는 경우 충전기와 배터리 팩을 공인 서비스 센터로 가져 가서 테스트를 받아 보십시오.

## 냉/온 팩 지연

충전기에서 너무 뜨겁거나 차가운 배터리 팩이 감지되면, 냉/온 팩 지연이 자동으로 시작되어 배터리 팩이 적절한 온도가 될 때까지 충전이 중단됩니다. 이 과정이 끝나면 충전기가 자동으로 팩 충전 모드로 전환됩니다. 이 기능은 배터리 팩 수명을 최대한으로 보장하기 위한 것입니다.

차가운 배터리 팩은 따뜻한 배터리 팩보다 더 느린 속도로 충전됩니다. 충전 사이클 전체에 걸쳐 배터리 팩은 이렇게 느린 속도로 충전되며 배터리 팩이 따뜻해지더라도 최대 충전 속도로 복원되지 않습니다. DCB118 충전기에는 배터리 팩을 식히기 위해 설계된 내장 팬이 장착되어 있습니다. 배터리 팩을 식혀야 하면 팬이 자동으로 켜집니다. 팬이 제대로 작동하지 않거나 환기구가 막혀 있을 경우 충전기를 작동하지 마십시오. 이물질이 충전기 내부로 들어가지 않도록 마십시오.

## 전자 보호 시스템

XR 리튬이온 배터리 팩은 배터리에 과부하가 걸리거나 과열 또는 완전 방전되는 것을 방지하는 전자 보호 시스템으로 설계되었습니다.

이 공구는 전자 보호 시스템이 작동하면 자동으로 꺼집니다. 이러한 경우 리튬 이온 배터리가 완전히 충전될 때까지 충전기에 리튬 이온 배터리 팩을 넣으십시오.

## 벽 장착

이들 충전기는 테이블 또는 작업 표면에 똑바로 세우거나 벽에 장착할 수 있도록 설계되었습니다. 벽에 장착하는 경우, 충전기는 전기 콘센트에 닿을 수 있는 범위 내에 놓고, 공기 흐름이 방해될 수 있는 코너 또는

기타 장애물로부터 멀리 두십시오. 벽에서 장착 나사의 위치는 견본으로 충전기의 뒤쪽을 사용하십시오. 나사 머리 직경이 7~9mm 최소 25.4mm 길이의 석고보드 나사(별도 구매)를 사용해서 충전기를 단단히 장착하고, 노출된 나사의 약 5.5 mm를 남겨 두고 최적의 깊이로 목재에 고정합니다. 충전기 뒤쪽의 구멍을 노출되어 있는 나사에 맞추고 구멍에 완전히 맞물리도록 하십시오.

### 충전기 청소 지침

**경고: 감전 위험. 청소하려면 먼저 충전기를 AC 콘센트에서 분리하십시오.** 향균이나 부드러운 금속 이외 브러시로 충전기 외관 부분에 묻은 먼지 및 기름을 제거할 수 있습니다. 물이나 세척제를 사용하지 마십시오. 공구 내부에 액체를 넣거나 공구 부품을 액체에 담그는 행동은 절대 금물입니다.

## 배터리 팩

### 모든 배터리 팩에 대한 중요한 안전 지침

교체 배터리 팩을 주문할 때는 카탈로그 번호와 전압을 반드시 확인하고 표기해야 합니다.

배터리 팩은 포장박스에서 꺼낼 때 완전히 충전된 상태가 아닙니다. 배터리 팩과 충전기를 사용하기 전에 아래 안전 지침을 숙독하십시오. 그런 다음 설명된 충전 절차를 따르십시오.

### 모든 지시 사항을 읽으십시오.

- **가연성 액체, 가스 또는 먼지 등 폭발성 분위기에서 배터리를 충전하거나 사용하지 마십시오.** 배터리를 끼우거나 충전기에서 분리할 때 먼지나 가스에 불이 붙을 수 있습니다.
- **충전기에 배터리 팩을 끼울 때 과도한 힘을 주지 마십시오.** 어떤 형태로든 호환되지 않는 충전기에 사용하기 위해 배터리 팩을 개조하지 마십시오. 배터리 팩이 파열되어 심각한 부상을 유발할 수 있습니다.
- **DEWALT 충전기에서만 배터리 팩을 충전하십시오.**
- 물이나 기타 액체가 튀어 묻거나 액체에 빠지지 않도록 하십시오.
- 온도가 40°C (104 °F)를 초과할 수 있는 곳(여름철 허름한 창고 또는 금속 건물 등)에 공구와 배터리 팩을 보관하거나 사용하지 마십시오.
- **배터리 팩이 심하게 손상되거나 완전히 낡았다라도 절대 소각하지 마십시오.** 배터리 팩은 불 속에서 폭발할 수 있습니다. 리튬이온 배터리 팩은 연소되면서 독성 연기와 물질을 발생시킵니다.
- **배터리 내용물이 피부에 닿으면 즉시 중성 세척제로 해당 부위를 씻으십시오.** 배터리액이 눈에 들어갔을 경우, 15분 정도 또는 통증이 가실 때까지 눈을 뜨고 물로 씻어냅니다. 치료가 필요한 경우를 위해, 배터리 전해질은 액체 유기 탄산염과 리튬염의 혼합물로 구성되어 있음을 알아 두십시오.
- **열린 배터리 셀의 내용물은 호흡기 질환을 일으킬 수 있습니다.** 신선한 공기를 마시십시오. 증상이 계속되면 치료를 받으십시오.

**경고: 화재 위험.** 배터리액은 불꽃이나 화염에 노출되면 연소될 수 있습니다.

**경고: 어떤 이유로든 배터리 팩을 절대 분해하지 마십시오.** 배터리 팩 케이스가 깨지거나 손상되면 충전기에 넣지 마십시오. 배터리 팩을 문개거나 떨어뜨리거나 손상시키지 마십시오. 강한 충격을 받았거나, 떨어뜨렸거나, 차에 치였거나 기타의 원인으로 어떤 방식으로든 손상된(못이 박히거나 망치로 맞았거나 밟힘) 배터리 팩이나 충전기는 사용하지 마십시오. 감전 또는 감전사의 위험이 있습니다. 손상된 배터리 팩은 재활용을 위해 서비스 센터에 반환해야 합니다.

**경고: 화재 위험. 배터리 팩을 보관하거나 휴대할 때는 노출된 배터리 단자가 금속 물체가 닿지 않도록 하십시오.** 예를 들어, 못, 나사, 키 등이 있는 앞치마, 주머니, 도구상자, 제품 키트 상자, 서랍 등에 배터리 팩을 두지 마십시오.

**주의: 사용하지 않는 공구는 걸려 넘어지거나 떨어질 위험이 없는 안정된 표면에 놓여 두십시오.** 배터리 팩이 큰 일부 공구들은 배터리 팩 위에 바로 서 있지만 쉽게 넘어질 수 있습니다.

### 운반

**경고: 화재 위험.** 배터리를 운반할 때 배터리 단자가 실수로 전도성 물질과 닿을 경우 화재 위험의 가능성이 있습니다. 배터리를 운반할 경우에는 배터리 단자가 보호되어 있고, 물체에 닿을 경우 단락을 일으킬 수 있는 물체로부터 제대로 절연되어 있는지 확인하십시오.

DEWALT 배터리는 위험물운송규칙 (Transport of Dangerous Goods), IATA (International Air Transport Association, 국제 항공 운송 협회) 위험물 규정, IMDG (International Maritime Dangerous Goods, 국제해상위험물운송) 규칙 및 위험물 도로운송에 관한 ECE의 규칙 (European Agreement Concerning The International Carriage of Dangerous Goods by Road, ADR) 에 대한 UN 권고사항을 포함하여, 산업 및 법적 기준에 의한 규정에 따라 모든 해당 운송 규정을 준수하고 있습니다. 리튬 이온 전지 및 배터리는 위험 화물 테스트 및 기준 설명서에 대한 UN 권고 38.3항에 따라 테스트되었습니다.

대개의 경우, DEWALT 배터리 팩 해상 운송은 완전 규제를 받는 Class 9 위험 물질로 분류되는 것에서 제외됩니다. 일반적으로, 에너지저축 등급이 100 와트시 (Wh)보다 큰 리튬 이온 배터리를 포함하는 수송품만 완전 규제를 받는 Class 9에 따라 수송되어야 합니다. 모든 리튬 이온 배터리에는 팩에 와트시 등급이 표시되어 있습니다. 뿐만 아니라, 규정의 복잡성으로 인해 DEWALT는 와트 시 등급에 상관 없이 항공 운송 리튬 이온 배터리 팩을 단독으로 권장하지 않습니다. 배터리 팩의 와트시 등급이 100 Whr보다 크지 않을 경우는 제외됨으로 배터리 (콤보 키트)가 포함된 공구의 수송품을 항공 운송할 수 있습니다.

수송품이 예외로 고려되든지 또는 완전 규제를 받든지 상관없이, 포장, 라벨링/표시 및 문서 요건에 관한 최신 규정을 참고하는 것은 운송 회사의 책임입니다.



설명서의 본 섹션에서 제공하는 정보는 성실하게 제공되며 문서가 작성될 당시에는 정확한 것으로 간주합니다. 단, 명시적이거나 함축적으로 보증은 제공되지 않습니다. 활동 시 해당 규정을 준수하는 것은 구매자의 책임입니다.

**FLEXVOLT™ 배터리 운반**

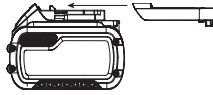
DEWALT FLEXVOLT™ 배터리에는 두 개의 모드, 즉 사용 및 **운반**이 있습니다.

**사용 모드:** FLEXVOLT™ 배터리는 독립되어 있거나 DEWALT 18V 제품 안에 있을 경우, 18V 배터리로 작동됩니다. FLEXVOLT™ 배터리는 54V 또는 108V (두 개의 54V 배터리) 제품이면, 54V 배터리로 작동됩니다.

**운반 모드:** 캡이 FLEXVOLT™ 배터리에 장착되어 있으면, 배터리는 운반 모드에 있는 것입니다. 운송 시 캡을 유지하십시오.

운반 모드에 있을 때, 더 높은 와트시 등급의 배터리 1개에 비해 더 낮은 와트시 (Wh) 등급의 배터리 3개가 되는 팩 내에서 일련의 셀은 전기 연결이 끊어져 있습니다. 와트시 등급이 더 낮은 이 증가된 배터리 3개 수량은 더 높은 와트시 배터리에 부과되는 특정 수송 규정에서 팩을 면제시킬 수 있습니다.

예를 들어, 운반 Wh 정격은 3 x 36 Wh를 나타내며, 각 36 Wh 배터리 3개를 의미합니다. 사용 Wh 정격은 108Wh를 나타낼 수 있습니다(1개 배터리 포함).



전도성 있는 물체로 시험하지 마십시오.



손상된 배터리 팩을 충전하지 마십시오.



물에 닿지 않도록 하십시오.



손상된 코드는 즉시 교체하십시오.



4°C ~ 40°C 사이에서만 충전하십시오.



실내 전용.



환경 보호 차원에서 배터리 팩을 폐기하십시오.



지정된 DEWALT 충전기로만 DEWALT 배터리 팩을 충전하십시오. DEWALT 충전기에 지정된 DEWALT 배터리 이외의 배터리 팩을 충전하면 폭발하여 다른 위험한 상황으로 이어질 수 있습니다.



배터리 팩을 소각하지 마십시오.



사용(운반 캡 미포함). 예: Wh 정격은 108 Wh를 나타냅니다(108 Wh 배터리 1개).



운반(내장 운반 캡 포함) 예: Wh 정격은 3 x 36 Wh (36 Wh 배터리 3개)를 나타냅니다.

**보관 권장 사항**

- 보관 장소로는 직사광선을 받지 않고 지나치게 덥거나 춥지 않은 시원하고 건조한 곳이 가장 좋습니다. 최적의 배터리 성능과 수명을 위해, 사용하지 않을 때에는 배터리 팩을 실온에서 보관하십시오.
- 장기간 보관하는 경우, 최적의 결과를 위해 완전히 충전된 배터리 팩을 충전기에서 분리하여 차갑고, 건조한 장소에 보관하는 것이 좋습니다.

**참고:** 배터리 팩은 완전히 방전된 상태로 보관해서는 안 됩니다. 사용 전에 배터리 팩을 재충전해야 합니다.

**충전기 및 배터리 팩에 부착된 라벨**

본 설명서에 사용된 그림 외에도 충전기 및 배터리 팩에 부착된 레이블에는 다음과 같은 그림이 표시되어 있습니다.



사용 전에 사용 설명서의 내용을 숙지하십시오.



충전 시간은 **기술 데이터**를 참조하십시오.

**배터리 유형**

DCS520은 54V (60V Max) 배터리 팩으로 작동됩니다. DCB546 배터리 팩을 사용할 수 있습니다. 자세한 정보는 **기술 데이터**를 참조하십시오.

**포장 내용물**

포장에는 다음 내용물이 들어 있습니다.

- 1 플렌지 소
- 1 육각 렌치
- 1 리튬이온 배터리 팩(T1 모델)
- 1 리튬이온 배터리 팩(T2 모델)
- 1 리튬이온 배터리 팩(T3 모델)
- 1 사용 설명서
- 운반 중에 발생할 수 있는 공구, 부품 또는 액세서리의 손상 여부를 확인하십시오.
- 작동 전에 시간을 내어 본 사용 설명서를 읽고 숙지하십시오.

**공구에 표시된 마크**

공구에는 다음과 같은 그림이 있습니다.



사용 전에 사용 설명서의 내용을 숙지하십시오.



귀 보호 장구를 착용하십시오.



보안경을 착용하십시오.



최대 절삭 깊이



흡날 직경

### 날짜 코드 위치(그림 A)

날짜 코드 16 에는, 제조년도가 포함되어 이 제조년도는 케이스에 인쇄되어 있습니다.

예:

2019 XX XX  
제조년도

### 설명(그림 A)

**경고:** 전동 공구 또는 전동 공구의 어떤 부품도 절대 개조하지 마십시오. 제품이 파손되거나 신체 부상을 당할 수도 있습니다.

- 1 플런지 트리거
- 2 ON/OFF 스위치
- 3 주 핸들
- 4 슈
- 5 레일 조정 노브
- 6 베벨 눈금
- 7 베벨 조정 노브
- 8 깊이 조정 노브
- 9 깊이 눈금
- 10 톱날
- 11 전면 손잡이
- 12 스펀들 잠금 버튼
- 13 스펀들 잠금 레버
- 14 배터리 팩
- 15 배터리 탈착 버튼
- 16 날짜 코드
- 17 먼지 배출구
- 18 반동 방지 노브
- 19 속도 휠
- 20 잔량표시계

### 용도

DCS520 충전식 플런지 쓰는 목공품에 대한 전문적인 톱질 용도로 설계되었습니다.

습한 환경이나 가연성 액체 또는 가스가 있는 장소에서 사용하지 **마십시오**.

이 헤비듀티 플런지 쓰는 전문적인 전동 공구입니다. 어린이가 이 공구를 만지지 않도록 **하십시오**. 경험이 없는 작업자가 이 공구를 사용할 때는 감독자의 지도가 필요합니다.

- **어린이 및 노약자.** 본 제품은 어린이나 노약자가 사용하도록 설계되지 않았습니다. 이러한 사람이 사용할 때는 감독이 필요합니다.
- 본 제품은 안전 책임을 맡고 있는 사람이 감독을 하고 있지 않는 한 경험, 지식 또는 기술이 부족하고 신체적, 감각적 또는 정신적 능력이 미약한 사람 (어린이 포함)이 사용하도록 고안된 것이 아닙니다. 이 제품과 함께 어린이만 혼자 두어서는 안됩니다.

### 조립 및 조정

**경고:** 심각한 신체 부상의 위험을 줄이려면 공구를 조정하거나 부착물 또는 액세서리를 제거/설치하기 전에 공구를 끄고 배터리 팩을 분리하십시오. 공구가 갑자기 작동하여 부상을 당할 수 있습니다.

**경고:** DeWALT 배터리 팩과 충전기만 사용하십시오.

### 배터리 팩 삽입 및 공구에서 배터리 팩 분리(그림 A)

참고: 배터리 팩 14 이 완전히 충전되었는지 확인하십시오.

#### 배터리 팩을 공구에 설치하려면

1. 그림 A와 같이 배터리 팩 14 을 레일에 맞춥니다.
2. 공구에 배터리 팩이 견고하게 장착될 때까지 밀어 넣고 딸깍하고 소리가 들리지는 확인하십시오.

#### 공구에서 배터리 팩을 분리하려면

1. 탈착 버튼 15 을 누르고 배터리 팩을 완전히 빼냅니다.
2. 본 사용 설명서의 충전기 섹션에 설명된 대로 배터리 팩을 충전기에 삽입합니다.

### 잔량표시계 배터리 팩(그림 A)

일부 DeWALT 배터리 팩에는 배터리 팩의 남아 있는 충전 레벨을 표시하는 세 개의 녹색 LED 등으로 구성된 연료계가 포함되어 있습니다.

연료계를 작동시키려면, 잔량표시계 버튼 20 을 누릅니다. 녹색 LED 표시등 3개가 조합되어 커짐으로써 충전 잔량 수준을 나타냅니다. 배터리 잔량이 사용 가능한 한계치 미만이면 배터리 잔량표시계가 켜지지 않으며 배터리를 재충전해야 합니다.

**참고:** 연료계는 배터리 팩에 남아 있는 충전 레벨을 나타내는 것일 뿐입니다. 공구의 가능성을 나타내는 것이 아니며 제품 구성품, 온도 및 최종 사용자의 용도에 따라 변경될 수 있습니다.

### 베벨 조정(그림 A)

베벨 각도는 0°~ 47° 사이에서 조정할 수 있습니다.

1. 베벨 조정 노브 7 를 풀니다.
2. 표시점이 베벨 눈금 4 의 원하는 각을 가리킬 때까지 톱 슈 6 를 기울여 베벨각을 설정합니다.
3. 베벨 조정 노브 7 를 조입니다.

## 톱날 변경(그림 A-C)

**참고:** 톱날을 변경하기 위해 외부 톱날 커버 **23** 를 제거할 필요가 없습니다.

1. 배터리 팩을 제거합니다.
2. 스팀들 잠금 버튼 **12** 을 누릅니다.
3. 정지할 때까지 플런지 쏘를 아래로 누릅니다 (톱날 변경 위치).
4. 정지할 때까지 스팀들 잠금 레버 **13** 를 시계 방향으로 돌립니다.
5. 전면 핸들 **11** 에 있는 육각 렌치를 사용해서 스팀들 잠금 레버 **13** 를 잡고, 잠금 위치가 보일 때까지 날을 돌립니다.

**참고:** 이제 날 **10** 이 잠기고 손으로 돌릴 수 없습니다.

6. 육각 렌치를 사용해서 날 고정 나사 **24** 를 시계 반대 방향으로 돌려서 제거합니다.
7. 덮개 만조 **25** 와 사용한 톱날 **10** 를 제거하십시오. 새 날을 아래 만조 **26** 에 놓습니다.
8. 덮개 만조 **25** 와 날 고정 나사 **24** 를 교체합니다. 손으로 나사를 시계 방향으로 돌립니다.

**참고:** 톱날의 회전 방향과 플런지 쏘의 회전 방향이 일치해야 합니다.

9. 육각 렌치를 사용해서 날 고정 나사를 단단히 조입니다.
10. 풀고 정지할 때까지 스팀들 잠금 레버 **13** 를 시계 반대 방향으로 돌립니다.
11. 플런지 쏘를 상단 위치까지 뒤로 이동합니다.
12. 플런지 트리거 **1** 를 앞으로 밀어서 톱을 날 변경 모드에서 빼냅니다.

## 동근톱 분할날 조정(그림 A-C)

동근톱 분할날 **21** 의 정확한 조정을 위해, 그림 C를 참조하십시오. 톱날을 교체하거나 필요할 때마다 동근톱 분할날의 간격을 조정합니다.

1. **톱날 변경** 1-5 단계를 따르십시오.
2. 육각 렌치로 동근톱 분할날 조정 나사 **22** 를 풀고 그림 C와 같이 동근톱 분할날을 설정합니다.
3. 동근톱 분할날 조정 나사 **22** 를 조입니다.
4. 정지할 때까지 스팀들 잠금 레버 **13** 를 시계 반대 방향으로 돌립니다.
5. 플런지 쏘를 상단 위치까지 뒤로 이동합니다.
6. 플런지 트리거 **1** 를 앞으로 밀어서 톱을 날 변경 모드에서 빼냅니다.

## 절삭 깊이 조정(그림 D)

절단 깊이는 가이드 레일을 장착하지 않은 상태에서 0-59 mm, 가이드 레일을 장착한 상태에서는 0-55 mm 로 설정할 수 있습니다.

1. 정확한 절단 깊이를 얻으려면 깊이 조정 노브 **8** 를 풀고 포인터를 이동합니다.
2. 깊이 조정 노브 **8** 를 조입니다.

**참고:** 최적의 결과를 위해 톱날이 작업대에서 약 3mm 정도 튀어나오도록 합니다(그림 D).



이 로고는 공구에 무선 제어 장치가 연결되었다는 것을 나타냅니다.

## 무선 공구 제어 장치(그림 . A) (일부 기기에서 사용 가능)

**⚠️ 주의:** 이 공구와 무선 연결되는 제품의 안전 경고, 지침 및 사양을 모두 숙지하시기 바랍니다. 본 공구에는 다른 무선 공구 제어 장치 (예, 집진기) 와 무선으로 연결할 수 있는 무선 공구 제어 송신기가 장착되어 있습니다. 무선 공구 제어를 사용하여 공구를 연결하려면, 각 장치에서 on/off 스위치와 무선 공구 제어 버튼을 누릅니다. 공구가 성공적으로 연결되면 각 장치의 LED 창에서 확인이 가능합니다.

## 조작

### 사용 지침

- ⚠️ 경고:** 안전 지시 사항과 해당 규정을 항상 준수하십시오.
- ⚠️ 경고:** 심각한 신체 부상의 위험을 줄이려면 공구를 조정하거나 부착물 또는 액세서리를 제거/설치하기 전에 공구를 끄고 배터리 팩을 분리하십시오. 공구가 갑자기 작동하여 부상을 당할 수 있습니다.

## 올바른 손의 위치(그림 E)

- ⚠️ 경고:** 심각한 신체 부상의 위험을 줄이려면 항상 그림과 같이 올바르게 손을 위치하십시오.
- ⚠️ 경고:** 심각한 신체 부상의 위험을 줄이려면 항상 급작스러운 반동을 예상하고 확실하게 잡으십시오.

손 위치는 한 손을 주 핸들 **3** 위에 놓고 다른 손을 전면 핸들 **11** 위에 놓는 것이 바람직합니다.

## 전원 켜기 및 끄기(그림 A)

ON/OFF 스위치 **2** 를 눌러 플런지 쏘를 켭니다.

## 공구 가이드(그림 A, E, F)

- ⚠️ 경고:**
  - 항상 톱질 작업 중에 작업물이 움직일 수 없도록 하십시오.
  - 항상 기계를 앞으로 미십시오. 절대로 기계를 사용자 쪽으로 뒤쪽으로 당기지 마십시오.
  - 항상 플런지 쏘를 앞으로 사용하십시오. 그림 E와 같이 한 손은 주 핸들 **3** 에 놓고 두 번째 손은 전면 핸들 **11** 에 놓습니다.
  - 항상 클램프를 사용해서 레일을 작업물에 고정합니다.
- 올바른 손의 위치를 사용해서 톱을 제대로 가이드합니다.
- 절단 표시기 **27** 는 0° 및 47° 절단을 위한 줄날을 표시합니다(가이드 레일 없음).
- 날 위치 표시기 **29** 는 전체 플런지 동안 날의 위치를 보여줍니다.
- 최적의 결과를 위해 작업대 하단을 참조로 고정합니다.

### 절단

1. 톱 슈 **4** 의 전면 부분이 있는 기계를 작업물에 놓습니다.
2. 플런지 트리거 **1** 를 앞쪽으로 민 다음 ON/OFF 스위치 **2** 를 눌러서 톱을 켭니다.
3. 톱을 설정한 절단 깊이로 누르고 절단 방향에서 앞쪽으로 밀니다.

### 플런지 절단

**!** **경고:** 반동을 방지하려면 플런지 절단 시 다음 지시 사항을 준수해야 합니다.

- 기계를 가이드 레일에 놓고 반동 방지 노브 **18** 를 시계 반대 방향으로 돌려서 톱니다.
- 기계를 켜고 톱을 설정한 절단 깊이에서 누르고 절단 방향에서 앞쪽으로 밀니다. 절단 표시기 **27** 는 최대 절단 깊이에서 가이드 레일을 사용해서 톱날(직경 165mm)의 절대 전면 및 절대 후면 절단 지점을 표시합니다.
- 플런지 절단 중에 반동이 발생하는 경우, 반동 방지 노브 **18** 를 시계 반대 방향으로 돌려서 레일에서 분리합니다.
- 플런지 절단을 마쳤으면, 반동 방지 노브 **18** 를 시계 방향으로 돌려 잠금 위치로 가게 만듭니다.

### 가이드 레일 시스템(그림 A, F)

가이드 레일 **28** 은 다양한 길이로 사용할 수 있고, 정확하고 깨끗한 절삭을 가능하게 하고, 동시에 손상에 대해 작업물 표면을 보호합니다.

추가적인 액세서리와 함께, 정확한 각도의 절삭, 마이터 절삭 및 피팅 작업은 가이드 레일 시스템으로 준비될 수 있습니다.

클램프로 작업물을 고정하면 안정된 고정과 안전한 작업을 보장합니다.

최상의 절단 결과를 위해 플런지 쏘의 가이드 간격은 매우 작아야 하고 두 개의 레일 조정 노브 **5** 로 설정할 수 있습니다.

1. 레일 조정 노브 **5** 안쪽의 나사를 풀어서 간격을 조정합니다.
2. 톱이 레일에서 잠기면 노브를 조정합니다.
3. 톱이 쉽게 움직일 때까지 노브를 뒤로 돌립니다.
4. 레일 조정 노브를 제자리에 쥐고 나사를 다시 잠급니다.

**참고:** 항상 다른 레일과 함께 사용할 때는 시스템을 조정하십시오.

### 쪼개짐 방지 가이드(그림 G, H)

가이드 레일 **28** 에는 쪼개짐 방지 가이드 **30** 가 장착되어 있는데, 처음 사용하기 전에 조절되어야 합니다.

쪼개짐 방지 가이드 **30** 는 가이드 레일 (**28**, 그림 30)의 각 가장자리에 있습니다. 이 쪼개짐 방지 가이드의 목적은 절단하는 동안 작업물 절단 가장자리에 따라 발생하는 조각을 줄이면서 사용자에게 눈으로 확인할 수 있는 날 절단 선을 제공하기 위한 것입니다.

**중요:** 항상 스피린터 가드를 절단하기 전에 **가이드 레일 시스템**의 지침을 읽고 준수하십시오.

1. 플런지 쏘의 속도를 레벨 7로 설정합니다.
2. 목재의 파편 조각에 가이드 레일 **28** 을 놓습니다. 클램프를 사용하여 가이드 레일이 작업물에 단단히 장착되었는지 확인합니다. 이렇게 하면 정확도가 보장됩니다.
3. 플런지 쏘를 5 mm 절단 깊이로 설정합니다.
4. 가이드 레일의 뒤쪽 끝에 톱을 놓습니다.
5. 톱을 켜고, 설정된 절단 깊이로 누르고 한 번의 연속 조각으로 전체 길이에 따라 쪼개짐 방지 가이드 **30** 를 절단합니다. 이제 쪼개짐 가이드의 가장자리는 날의 절삭 가장자리에 정확하게 일치합니다.

가이드 레일의 다른 쪽에 있는 쪼개짐 방지 가드를 조절하려면, 레일에서 톱을 제거하고 레일을 180도 돌립니다. 1 ~ 4 단계를 반복합니다.

**참고:** 원할 경우, 스피린터 가드를 45도로 베벨한 다음 1 ~ 4 단계를 반복합니다. 이를 통해 레일의 한 쪽은 수평 절삭을 위해 허용하고 레일의 다른 쪽은 45° 베벨 절단용으로 조정되어 있습니다(그림 H).

**참고:** 장치가 베벨되어 있을 때 쪼개짐 방지 가이드가 양쪽에서 수평 절삭으로 조절되어 있을 경우, 날이 쪼개짐 방지 가이드의 가장자리에 충실하게 실행되지 않습니다. 이는 장치 베벨의 중심점이 고정되어 있지 않고 장치가 베벨될 때 날이 밖으로 이동하기 때문입니다.

**!** **경고:** 부상의 위험을 줄이려면 항상 클램프로 가이드 레일을 고정하십시오.

### 속도 조정(그림 A)

속도는 속도 휠 **19** 을 사용해서 2500 ~ 4200 rpm 사이로 조절할 수 있습니다. 이를 통해 재료에 맞추어 절단 속도를 최적화할 수 있습니다. 재료 유형 및 속도 범위는 다음 차트를 참조하십시오.

절단할 재료 유형	속도 범위
원목(강목, 연목)	3-7
합판	4-7
합판 목재, 블록 보드, 베니어판(코팅)	2-7
종이 및 상자	1-3

### 도어 절단(그림 I)

1. 외부 가이드 **23** 가 있는 플런지 쏘를 깨끗하고 평평한 바닥에 놓습니다.
2. 조정된 깊이조절 가이드에 대해 도어의 전면 쪽으로 슈 **4** 를 누릅니다.

### 집진(그림 A)

**!** **경고:** 먼지 흡입 위험, 부상의 위험을 줄이려면 항상 승인된 방진 마스크를 착용하십시오.

공구에는 먼지 배출구 **17** 가 장착되어 있습니다. AirLock™ 시스템(DWV9000-XJ) 또는 표준 35mm 집진기 장비를 사용하여 집진 어댑터를 통해 공구를 외부 집진기에 연결할 수 있습니다.

**!** **경고:** 목재를 뜯질할 때는 **항상** 먼저 배출에 관해 적용되는 지시 사항에 따라 설계된 진공 청소기를 사용하십시오. 대부분 진공 청소기의 진공 호스는 집진 장치 배출구에 잘 맞습니다.

## 유지 보수

DeWALT 전동 공구는 최소한의 유지 보수로 장기간에 걸쳐 작업이 가능하도록 설계되어 있습니다. 만족스러운 연속 작동은 적절한 공구 관리와 정기적인 청소에 따라 그 성능이 달라질 수 있습니다.

**!** **경고:** 심각한 신체 부상의 위험을 줄이려면 공구를 조정하거나 부착물 또는 액세서리를 제거/설치하기 전에 공구를 끄고 배터리 팩을 분리하십시오. 공구가 갑자기 작동하여 부상을 당할 수 있습니다.

충전기 및 배터리 팩은 수리할 수 없습니다.



## 윤활방법

전동 공구는 별도의 윤활 작업이 필요하지 않습니다.



## 청소

**경고:** 통풍구 속이나 주변에 먼지가 쌓여있는 것이 보이면 가능한 한 자주 건조한 공기를 이용하여 몸체에서 먼지를 불어내십시오. 이 절차를 수행할 때에는 승인된 눈 보호 장구 및 승인된 방진 마스크를 착용하십시오.

**!** **경고:** 공구의 금속 이외 부품을 청소할 때는 용제 등의 강력한 화학약품을 절대 사용하지 마십시오. 그렇지 않으면 이러한 부분에 사용된 재료가 약해질 수 있습니다. 헹굼에 물과 순한 비누를 적셔 닦아주십시오. 공구 내부에 액체를 넣거나 공구 부품을 액체에 담그는 행동은 절대 금물입니다.

## 선택 액세서리

**!** **경고:** DeWALT에서 제공하지 않은 액세서리는 본 제품에서 테스트되지 않았으므로 본 제품에서 이러한 액세서리를 사용하면 위험할 수 있습니다. 신체 부상의 위험을 줄이려면 본 제품에 알맞은 액세서리만 사용해야 합니다.

해당 액세서리에 대한 자세한 정보는 판매 대리점으로 문의하십시오.

## 환경 보호



분리 수거. 이 기호가 표시된 제품과 배터리를 일반 가정용 쓰레기와 함께 처리하면 안됩니다.

제품과 배터리에는 재용되거나 재활용되고 고철 자원에 대한 수요를 줄일 수 있는 자재가 포함되어 있습니다. 전기 제품과 배터리는 지역 규정에

따라 재활용하십시오. 자세한 내용은 [www.2helpU.com](http://www.2helpU.com) 에서 찾아 볼 수 있습니다.

## 충전용 배터리 팩

이전에 쉽게 수행했던 작업에 대해 충분한 힘을 발휘하지 못하는 배터리 팩은 재충전해야 합니다. 배터리 수명이 다하면 환경 보호 차원에서 배터리 팩을 폐기하십시오.





