



Instruction Manual | Guide D'utilisation | Manual de instrucciones

MPF59025

1/4" to 3/8" Compact Air Ratchet

Cliquet pneumatique compact 1/4 po à 3/8 po

Trinquete Neumático Compacto de 1/4" a 3/8"



**If you have questions or comments, contact us.
Pour toute question ou tout commentaire, nous contacter.
Si tiene dudas o comentarios, contáctenos.**

MACTOOLS.COM

1-800-662-8665

ENGLISH

English (***original instructions***) 1

Français (*traduction de la notice d'instructions originale*) 9

Español (*traducido de las instrucciones originales*) 18

Definitions: Safety Alert Symbols and Words

This instruction manual uses the following safety alert symbols and words to alert you to hazardous situations and your risk of personal injury or property damage.



DANGER: Indicates an imminently hazardous situation which, if not avoided, **will** result in **death or serious injury**.



WARNING: Indicates a potentially hazardous situation which, if not avoided, **could** result in **death or serious injury**.



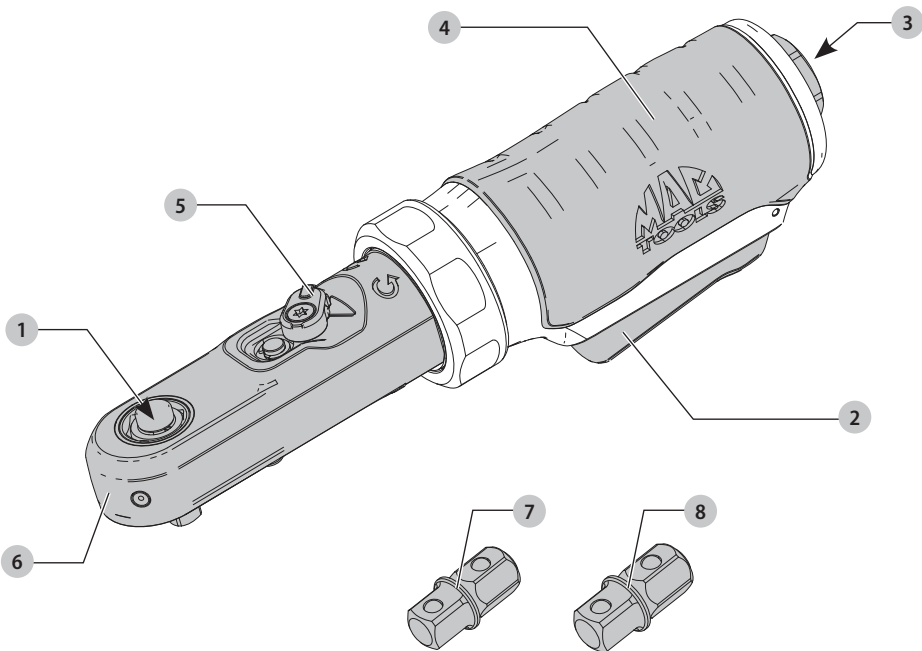
CAUTION: Indicates a potentially hazardous situation which, if not avoided, **may** result in **minor or moderate injury**.



(Used without word) Indicates a safety related message.

NOTICE: Indicates a practice **not related to personal injury** which, if not avoided, **may** result in **property damage**.

Fig. A



- 1 1/4" to 3/8" square drive
- 2 Variable speed trigger
- 3 1/4" inlet
- 4 Rubber grip handle
- 5 Forward/reverse switch
- 6 Sealed head
- 7 1/4" square drive anvil
- 8 3/8" square drive anvil



WARNING: Read all safety warnings and all instructions. Failure to follow the warnings and instructions may result in electric shock, fire and/or serious injury.



WARNING: To reduce the risk of injury, read the instruction manual.

If you have any questions or comments about this or any Mac Tools tool, call us toll free at: 1-800-MAC-TOOLS (1-800-622-8665).

IMPORTANT SAFETY INSTRUCTIONS

SAVE THESE INSTRUCTIONS



WARNING: Improper operation or maintenance of this product could result in serious injury and property damage. Read and understand all warnings and operating instructions before using this equipment. When using air tools, basic safety precautions should always be followed to reduce the risk of personal injury.



Do not use damaged, frayed or deteriorated air hoses and fittings.

Air powered tools can vibrate in use. Vibration, repetitive motions or uncomfortable positions may be harmful to your hands and arms. Stop using any tool if discomfort, tingling feeling or pain occurs. Seek medical advice before resuming use.



Do not carry the tool by the hose.



Keep body stance balanced and firm. Do not overreach when operating this tool.



Always wear hearing protection when operating this tool.



Always wear ANSI Z87.1 CAN CSA Z94.3 eye protection when operating or performing maintenance on this tool.



Always turn off the air supply and disconnect the air supply hose before installing, removing or adjusting any accessory on this tool, or before performing any maintenance on this tool.



Operate at 90 PSI (6.2 Bar) Maximum air pressure.



WARNING:

- Prevent unintentional starting. Ensure the trigger is in the off position before connecting to air source, picking up or carrying the tool. Carrying power tools with your finger on the switch or energizing power tools that have the switch on invites accidents.
- Do not operate this tool for long periods of time. Vibration caused by tool action may be harmful to your hands and arms. Stop using any tool if discomfort, tingling feeling or pain occurs. Seek medical advice before resuming use.
- Store idle power tools out of the reach of children and do not allow persons unfamiliar with the power tool or these instructions to operate the power tool. Power tools are dangerous in the hands of untrained users.

- Do not use oxygen or reactive gases; explosion may occur.
- Exceeding the maximum pressure of 90 PSI (6.2 Bar) will lead to the risk of danger such as excessive speed, tool wear, breaking parts, higher torque or force that may destroy the tool and its accessories or the part being worked on.
- Read all manuals included with this product carefully. Be thoroughly familiar with the controls and the proper use of the equipment.
- Only persons well acquainted with these rules of safe operation should be allowed to use the air tool.
- Do not exceed any pressure rating of any component in the system.
- Disconnect the air tool from air supply before changing tools or attachments and during non-operation.
- Always wear safety glasses and ear protection during operation. Always wear approved safety glasses with shields. Always wear approved hearing protection.
- Do not wear loose fitting clothing or apparel which contains loose straps or ties, etc. Which could become entangled in moving parts of the tool and results in serious personal injury.
- Do not wear jewelry, watches, identifications, bracelets, necklace, etc. When operating any tool, they may become caught in moving parts and result in serious injury.
- Do not depress trigger when connecting the air supply hose.
- Always use attachments designed for use with air powered impact tools.
- Do not use the tool if it has been damaged.
- Use rated accessories recommended by Mac Tools only. Inspect accessories before use. Do not use cracked or damaged accessories. Just because the accessory can be attached to your power tool, it does not assure safe operation.
- Never trigger the tool when not applied to a work object. Attachments must be securely attached. Loose attachments can cause serious injury.
- Protect air lines from damage or puncture.
- Never point an air tool at oneself or any other person. Serious injury could occur.
- Check air hoses for weak or worn condition before each use. Make sure all connections are secure.
- Keep all nuts, bolts and screws tight and ensure equipment is in safe working condition.
- Keep hands and other body parts, loose clothing and long hair away from the moving end of tool.
- Accessories and tools can get hot during operation. Wear gloves when touching them.
- Do not discard the safety instructions; give them to the operator.

- Do not modify this tool. Modifications can reduce the effectiveness of safety measures and increase the risks to the operator.
- Whipping hoses can cause severe injury. Always check for damaged or loose hoses and fittings.



WARNING: (Air and Supply and Connections)

- Do not use oxygen, combustible gases, or bottled gases as a power source for this tool as the tool may explode, possibly causing injury.
- Do not use supply sources which can potentially exceed 200 PSI (13.8 Bar) as tool may burst, possibly causing injury.
- The connector on the tool must not hold pressure when air supply is disconnected. If a wrong fitting is used, the tool can remain charged with air after disconnecting and thus will be able to after the air line is disconnected possibly causing injury.
- Before connecting the tool to the air inlet, ensure the trigger is not blocked in the on position by an obstacle.
- The pneumatic tool must be fitted and connected to the compressed air network via quick disconnects to facilitate shutdown in the event of danger.
- In the event of blockage, release the trigger and disconnect the tool from the compressed air network.
- Be sure all hoses and fittings are the correct size and are tightly secured.
- Mesh air strainer at air inlet occasionally becomes clogged with debris, blocking air supply, and decreasing the tool's performance. If this occurs the mesh air strainer needs to be cleaned.



WARNING: Do not operate tool if:

- There is any damage to air hose or fitting.
- The tool leaks air.
- The tool has received a sharp blow, malfunctions or is dropped or damaged in any manner. Return tool to the nearest authorized service facility for examination, repair, or mechanical adjustment.
- Warning labels are missing or damaged.
- Tool is not in proper working order. Tags and physical segregation shall be used for control.



WARNING: When operating the tool:

- Keep work area clean and well lit. Cluttered or dark areas invite accidents.
- Anticipate and be alert for sudden changes in motion during start up and operation of any power tool.
- Do not use in wet conditions.
- Always handle the tool with care.
- Never engage in horseplay.
- Never point the tool at yourself or others.
- Keep bystanders and children away while operating tool.
- Respect tool as a working implement.

- Stay alert, focus on your work and use common sense when working with tools.
- Do not use tool while tired, after having consumed drugs or alcohol, or while under the influence of medication.
- Do not overreach. Only use in a safe working place.
- Keep proper footing at all times.
- This tool produces SPARKS during operation. NEVER use the tool near flammable substances, gases or vapors including lacquer, paint, benzene, thinner, gasoline, adhesives, mastics, glues or any other material that is—or the vapors, fumes or byproducts of which are—flammable, combustible or explosive. Using the fastener in any such environment could cause an EXPLOSION resulting in personal injury or death to user and bystanders.
- For overhead work, wear a safety helmet.
- If the tool appears to malfunction, remove from use immediately and arrange for service and repair.
- The tool is not electrically insulated. Never use the tool if there is any chance of it coming into contact with live electricity.
- Do not lock, tape, wire, etc., the on/off trigger in the run position. The trigger must always be free to return to the “off” position when it is released.
- Never lay a tool down unless the working attachment has stopped moving.
- Always ensure that the forward/reverse switch is in the desired position before starting the tool.
- Do not use sockets with excessive wear to the input or output drives. Periodically check the square drive on the impact wrench. Make sure the socket, extension bar, or other attachment is securely fitted before operating tool.
- When loosening fasteners first ensure that there is sufficient clearance behind the tool to avoid hand entrapment. The tool will move away from the threaded joint as the nut/bolt is loosened and rides up the thread, moving the tool with it.



WARNING: Disconnect tool:

- When not in use.
- Before making adjustments.
- When performing any maintenance or repairs.
- When elevating, lowering or otherwise moving tool to a new location.
- When tool is outside of the operator's supervision or control.
- When moving to a different work area, as accidental actuation may occur, possibly causing injury.



WARNING: When maintaining the tool:

- Always shut off air supply, and disconnect tool from air supply when not in use.

ENGLISH

- When working on air tools note the warnings in this manual and use extra care when evaluating problem tools.
- Do not lubricate tools with flammable or volatile liquids such as kerosene, diesel or jet fuel.
- When the life of the tool has expired, it is recommended that the tool be disassembled, degreased and parts be separated by material so that they can be recycled.

Additional Safety Information



WARNING: ALWAYS use safety glasses. Everyday eyeglasses are NOT safety glasses. Also use face or dust mask if cutting operation is dusty. ALWAYS WEAR CERTIFIED SAFETY EQUIPMENT:

- ANSI Z87.1 eye protection (CAN/CSA Z94.3),
- ANSI S12.6 (S3.19) hearing protection,
- NIOSH/OSHA/MSHA respiratory protection.



WARNING: Some dust created by power sanding, sawing, grinding, drilling, and other construction activities contains chemicals known to the State of California to cause cancer, birth defects or other reproductive harm. Some examples of these chemicals are:

- lead from lead-based paints,
- crystalline silica from bricks and cement and other masonry products, and
- arsenic and chromium from chemically-treated lumber.

Your risk from these exposures varies, depending on how often you do this type of work. To reduce your exposure to these chemicals: work in a well ventilated area, and work with approved safety equipment, such as those dust masks that are specially designed to filter out microscopic particles.

- **Avoid prolonged contact with dust from power sanding, sawing, grinding, drilling, and other construction activities. Wear protective clothing and wash exposed areas with soap and water.** Allowing dust to get into your mouth, eyes, or lay on the skin may promote absorption of harmful chemicals.



WARNING: Use of this tool can generate and/or disperse dust, which may cause serious and permanent respiratory or other injury. Always use NIOSH/OSHA approved respiratory protection appropriate for the dust exposure. Direct particles away from face and body.



WARNING: Always wear proper personal hearing protection that conforms to ANSI S12.6 (S3.19) during use. Under some conditions and duration of use, noise from this product may contribute to hearing loss.



CAUTION: When not in use, place tool on its side on a stable surface where it will not cause a tripping or falling hazard. Some tools may stand upright but may be easily knocked over.

SAVE THESE INSTRUCTIONS FOR FUTURE USE

COMPONENTS (FIG. A)



WARNING: Never modify the power tool or any part of it. Damage or personal injury could result.

Refer to Figure A at the beginning of this manual for a complete list of components.

Intended Use

This air ratchet is designed for driving, tightening and loosening threaded fasteners, usually nuts and bolts, when fitted with a suitable socket. Always use extension bars, universal joints and socket adapters between the square output drive of the air ratchet and the female square drive of the socket.

DO NOT use the tool for any other purpose than that specified without consulting the manufacturer or the manufacturer’s authorized supplier. To do so may be dangerous.

Never use the air ratchet as a hammer to dislodge or straighten cross threaded fasteners. Never attempt to modify the tool for other uses.

DO NOT use under wet conditions or in presence of flammable liquids or gases.

This air ratchet is a professional power tool.

DO NOT let children come into contact with the tool. Supervision is required when inexperienced operators use this tool.

Glossary

CFM: Cubic feet per minute.

SCFM: Standard cubic feet per minute; a unit of measure of air delivery.

L/s: Liters per second; a metric unit of measure of air delivery.

PSI: Pounds per square inch; a unit of measure of pressure.

Bar: A metric unit of measure of pressure.

Code Certification: Products that bear one or more of the following marks: UL, CUL, ETL, CETL, have been evaluated by OSHA certified independent safety laboratories and meet the applicable Underwriters Laboratories Standards for Safety.

RPM: Revolutions per minute; is a measure of the frequency of a rotation

NPT: National pipe thread (tapered thread); is a U.S. standard for tapered threads used on threaded pipes and fittings.

ID: Inner diameter

Technical Data

| | MPF59025 |
|-------------------------------|--------------------|
| Square drive | 1/4" or 3/8" |
| Maximum torque (reverse) | 40 Ft. lbs (54 Nm) |
| Free speed @ 90 PSI (6.2 Bar) | 300 rpm |
| Net weight | 1.5 lbs (0.66 kg) |
| Exhaust type | Back |

| MPF59025 | | |
|---|------------------|-------------------|
| Average air consumption free speed | 25 SCFM (12 L/s) | 3.6 CFM (1.7 L/s) |
| Average air consumption at load | 25 SCFM (12 L/s) | 3.6 CFM (1.7 L/s) |
| Air inlet size | 1/4" NPT(F) | |
| Recommended hose size | 3/8" (10 mm) | |
| Maximum air pressure | 90 PSI (6.2 Bar) | |
| Noise values and vibration values (triax vector sum) according to EN ISO 11148-6: | | |
| LPA (emission sound pressure level) | dB(A) | 96 |
| LWA (sound power level) | dB(A) | 107 |
| K (uncertainty for the given sound level) | dB(A) | 3 |
| Vibration emission value a_{h1} = | m/s ² | 3.9 |
| Uncertainty K = | m/s ² | 1.5 |

Work Stations

Your air ratchet should only be used as a hand operated tool. It is always recommended that the tool is used when standing with solid footing. It can be used in other positions but before any such use, the operator must be in a secure position having a firm grip and footing and be aware that when loosening fasteners the tool can move quite quickly away from the fastener being undone. An allowance must always be made for this rearward movement so as to avoid the possibility of hand/arm/body entrapment.

Features

Forward/Reverse Switch (Fig. A)

The forward/reverse switch 5 allows the tool to operate in a forward or reverse direction for easier and robust operation.

1/4" and 3/8" Square Drive (Fig. A)

The 1/4" and 3/8" square drive 1 allows the attachment of 1/4" and 3/8" drive sockets.

Sealed Head (Fig. A)

The sealed head 6 design prevents yoke spread under heavy torque application.

Rubber Grip Handle (Fig. A)

This air tool has a rubber grip handle 4 made of molded thermoplastic elastomer (TPE) designed for improved comfort, slippage reduction, and better tool control.

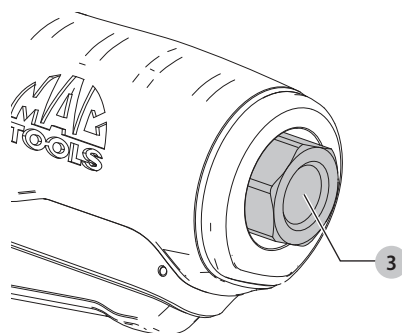
Variable Speed Trigger (Fig. A)

The variable speed trigger 2 allows the operator to control the start and stop of the air tool.

1/4" Inlet (Fig. B)

The tool's 1/4" inlet 3 located at the bottom of the handle is used for connecting an air supply with a standard 1/4" NPT American thread.

Fig. B



ASSEMBLY AND ADJUSTMENTS



WARNING: To reduce the risk of serious personal injury, turn unit off and remove air supply before making any adjustments or removing/installing attachments or accessories. An accidental start-up can cause injury.

Attaching and Removing Square Drive Anvils (Fig. A)

Your tool is supplied with two anvils, a 1/4" square drive anvil 7 and a 3/8" square drive anvil 8, suitable for use with the corresponding sized sockets. To install an anvil just push it into the square drive 1 until you hear a "click". The anvil can be installed on the front or back of the head in order to enable you to more versatility to get the tool into tight spaces more comfortably.

To remove the anvil from the air ratchet, push the button on the back of the anvil and slide the unit out.

Air Supply (Fig. C)

The recommended hook-up is shown in Figure C.

Pneumatic tools operate on a wide range of air pressures. For maximum efficiency and longer tool life, the pressure of the air supplied to these tools MUST not exceed the rated PSI at the tool when the tool is running. Using a higher than rated pressure will cause faster wear and drastically shorten the tool's life. A higher air pressure can also cause an unsafe condition and explosion.

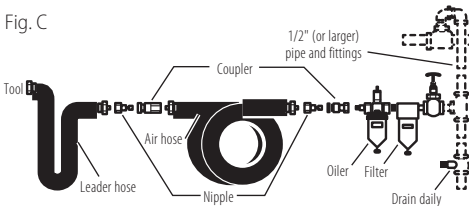
The inside diameter of the hose should be increased to compensate for unusually long air hoses (over 25 feet [7.6 m]). Minimum hose diameter should be 3/8" (10 mm) I.D. and fittings should have 1/4" NPT thread.

The use of air line lubricators and air line filters is recommended to prevent water in the line that can damage the tool. Drain the air tank daily. Clean the air inlet filter screen on at least a weekly schedule to remove accumulated dirt or other matter that can restrict air flow.

The tool's air inlet used for connecting an air supply has standard 1/4" NPT American thread.

ENGLISH

Fig. C



OPERATION

⚠ WARNING: To reduce the risk of serious personal injury, turn unit off and remove air supply before making any adjustments or removing/installing attachments or accessories. An accidental start-up can cause injury.

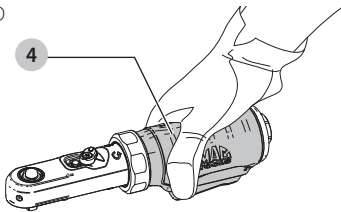
Proper Hand Position (Fig. D)

⚠ WARNING: To reduce the risk of serious personal injury, ALWAYS use proper hand position as shown.

⚠ WARNING: To reduce the risk of serious personal injury, ALWAYS hold securely in anticipation of a sudden reaction.

Proper hand position requires one hand on the rubber grip handle **4**.

Fig. D



Prepping the Air Tool

⚠ WARNING: Risk of unsafe operation. Firmly grasp air hose with hand when installing or disconnecting to prevent hose whip.

⚠ WARNING: Risk of bursting. Too much air pressure causes a hazardous risk of bursting. Check the manufacturer's maximum pressure rating for air tools and accessories. The regulator output pressure must never exceed the maximum pressure rating.

- Drain water from air compressor tank and condensation from air lines. (Please refer to air compressor's operation manual.)
- Lubricate the tool. (Please refer to the **Maintenance** section in the manual.)
- Connect the air ratchet to air source with the hose of recommended size.

Operating Procedures

Air Supply (Fig. C)

⚠ CAUTION: This air tool requires lubrication BEFORE initial use, also before and after each additional use.

⚠ WARNING: Use a clean lubricated air supply that will give a measured air pressure at the tool of 90 PSI/6.2 bar when the tool is running with the trigger fully depressed.

Use recommended hose size. It is recommended that the tool is connected to the air supply as shown in Figure C.

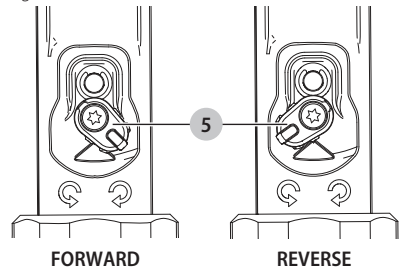
Do not connect the tool to the air line system without incorporating an easy to reach and operate air shut off valve. The air supply should be lubricated. It is strongly recommended that an air filter, regulator, lubricator (FRL) is used as shown in Figure C as this will supply clean, lubricated air at the correct pressure to the tool. Details of such equipment can be obtained from your supplier. If such equipment is not used then the tool should be lubricated by shutting off the air supply to the tool and then depressurizing the line by pressing the trigger on the tool. Disconnect the air line and pour into the air inlet 1 teaspoon of a suitable pneumatic motor lubricating oil, preferably incorporating a rust inhibitor. Reconnect tool to air supply and run tool slowly for a few seconds to allow air to circulate the oil.

Lubricate tool daily if used frequently, or when it starts to slow or lose power.

Start-Up (Fig. A, E)

1. Turn on the air compressor and allow the air tank to be filled.
2. Set the air compressor regulator to 90 PSI (6.2 Bar). This air tool operates at a maximum of 90 PSI (6.2 Bar) air pressure.
3. Adjust the forward/reverse switch **5** to either forward or reverse position.

Fig. E



4. Depress the variable speed trigger **2** to start operating the tool.

Shut-Down (Fig. A)

1. Release the variable speed trigger **2** in order to stop the tool.
2. When changing sockets, always disconnect air supply to avoid injury.
3. When job is completed, turn off the air compressor and store the air tool after lubrication.

Operating Instructions (Fig. A)

1. Securely fit the socket or attachment to the air ratchet.
2. Ensure that the forward/reverse switch **5** is in the correct position for tightening or loosening the fastener.
3. The nut/bolt can then run down the thread using the power drive of the tool. For loosening a joint the tool can be used in the reverse sequence.

MAINTENANCE

WARNING: To reduce the risk of serious personal injury, turn unit off and remove air supply before making any adjustments or removing/installing attachments or accessories. An accidental start-up can cause injury.

Lubrication

Air tools require lubrication throughout the lifetime of the tools.

The air motor and bearing uses compressed air to power the tool. The compressed air contains moisture that will rust the air motor and other parts in side of the tools, therefore lubrication is required daily. Failure to lubricate the air tool properly will dramatically shorten the life of the tool and will void the warranty

CAUTION: This air tool requires lubrication BEFORE initial use, also before and after each additional use.

To Lubricate the Air Tool Manually

1. Remove any attachment on the drive of air tools, such as: sockets, chisels and etc.
2. Disconnect the tool from the air supply source, place the air inlet face up.
3. Depress the trigger and place about 1 teaspoon of air tool oil into the air inlet. (Depressing the trigger will help circulate oil in the motor.)

NOTE: Use SAE #10 weight oil if air tool oil is not available.

WARNING: Keep out of the reach of children. If taken internally, do not induce vomiting, call a doctor immediately.

WARNING: Any excess oil in the motor is immediately expelled from the exhaust port. Always direct exhaust port away from people or objects.

4. Connect the tool to an air source, cover the exhaust end with a towel and run for about 20 to 30 seconds.
5. After every 48 hours or operation, or as experience indicates, inject about 1 teaspoon of approved pneumatic grease into the grease fitting.

Storage

The air tool must be lubricated before storing.

Follow Steps 1–3 in **To Lubricate the Air Tool Manually**.

Cleaning

WARNING: Blow dirt and dust out of all air vents with clean, dry air at least once a week. To minimize the risk of eye injury, always wear ANSI Z87.1 approved eye protection when performing this procedure.

WARNING: Never use solvents or other harsh chemicals for cleaning the non-metallic parts of the tool. These chemicals may weaken the plastic materials used in these parts. Use a cloth dampened only with water and mild soap. Never let any liquid get inside the tool; never immerse any part of the tool into a liquid.

Accessories

WARNING: Since accessories, other than those offered by Mac Tools, have not been tested with this product, use of such accessories with this tool could be hazardous. To reduce the risk of injury, only Mac Tools recommended accessories should be used with this product.

Recommended accessories for use with your tool are available at extra cost from your local dealer or authorized service center. If you need assistance in locating any accessory, please contact Mac Tools, 505 North Cleveland Ave., Westerville, Ohio 43082, call 1-800-MAC-TOOLS (1-800-622-8665) or visit our website www.mactools.com.

UK Customer Service:

Mac Tools UK, Europa Court, Sheffield Business Park, Sheffield, England S9 1XE

Tel: +44 (0) 1142 917266 Fax: +44 (0) 1142 917131

Email: customerservices@mactools.co.uk

Repairs

WARNING: To assure product SAFETY and RELIABILITY, repairs, maintenance and adjustment (including brush inspection and replacement, when applicable) should be performed by a Mac Tools factory service center or a Mac Tools authorized service center. Always use identical replacement parts.

Register Online

Thank you for your purchase. Register your product now for:

- **WARRANTY SERVICE:** Registering your product will help you obtain more efficient warranty service in case there is a problem with your product.
- **CONFIRMATION OF OWNERSHIP:** In case of an insurance loss, such as fire, flood or theft, your registration of ownership will serve as your proof of purchase.
- **FOR YOUR SAFETY:** Registering your product will allow us to contact you in the unlikely event a safety notification is required under the Federal Consumer Safety Act.

Register online at www.mactools.com.

Two Year Limited Warranty

Mac Tools will repair, without charge, any defects due to faulty materials or workmanship for two years from the date of purchase. This warranty does not cover part failure due to normal wear or tool abuse. For further detail of warranty coverage and warranty repair information, visit www.mactools.com or call 1-800-MAC-TOOLS (1-800-622-8665). This warranty does not apply to accessories or damage caused where repairs have been made or attempted by others. THIS LIMITED WARRANTY IS GIVEN IN LIEU OF ALL OTHERS, INCLUDING THE IMPLIED WARRANTY OF MERCHANTABILITY AND FITNESS FOR A PARTICULAR PURPOSE, AND EXCLUDES ALL INCIDENTAL OR CONSEQUENTIAL DAMAGES. Some states do not allow limitations on how long an implied warranty lasts or the exclusion or limitation of incidental or consequential

ENGLISH

damages, so these limitations may not apply to you. This warranty gives you specific legal rights and you may have other rights which vary in certain states or provinces.

LATIN AMERICA: This warranty does not apply to products sold in Latin America. For products sold in Latin America, see country specific warranty information contained in the packaging, call the local company or see website for warranty information.

FREE WARNING LABEL REPLACEMENT: If your warning labels become illegible or are missing, call 1-800-MAC-TOOLS (1-800-622-8665) for a free replacement.

EC-Declaration of Conformity

Machinery Directive



1/4" to 3/8" Compact Air Ratchet MPF59025

Mac Tools declares that these products described under **Technical Data** are in compliance with:
EN ISO11148-6:2012.

The undersigned is responsible for compilation of the technical file and makes this declaration on behalf of Mac Tools.

A handwritten signature in black ink, appearing to read 'Markus Rompel', written in a cursive style.

Markus Rompel
Vice-President Engineering, PTE-Europa
Mac Tools UK, Europa Court, Sheffield Business Park,
Sheffield, England S9 1XE
22.10.2018

Définitions : symboles et termes d'alarmes sécurité

Ces guides d'utilisation utilisent les symboles et termes d'alarmes sécurité suivants pour vous prévenir de situations dangereuses et de risques de dommages corporels ou matériels.



DANGER : indique une situation dangereuse imminente qui, si elle n'est pas évitée, **entraînera la mort ou des blessures graves**.



AVERTISSEMENT : indique une situation potentiellement dangereuse qui, si elle n'est pas évitée, **pourrait entraîner la mort ou des blessures graves**.



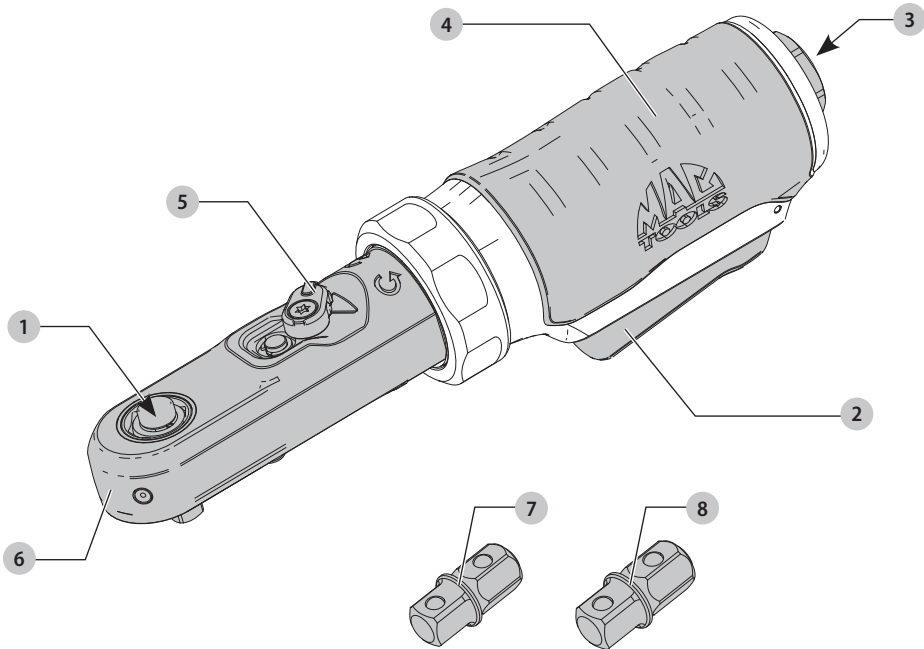
ATTENTION : indique une situation potentiellement dangereuse qui, si elle n'est pas évitée, **pourrait entraîner des blessures légères ou modérées**.



(Si utilisé sans aucun terme) Indique un message propre à la sécurité.

AVIS : indique une pratique ne posant **aucun risque de dommages corporels** mais qui par contre, si rien n'est fait pour l'éviter, **pourrait poser des risques de dommages matériels**.

Fig. A



- 1 Carré d'entraînement 1/4 po à 3/8 po
- 2 Gâchette de vitesse variable
- 3 Entrée 1/4 po
- 4 Poignée en caoutchouc
- 5 Bouton avancer/reculer
- 6 Tête étanche
- 7 Enclume à carré d'entraînement 1/4 po
- 8 Enclume à carré d'entraînement 3/8 po



AVERTISSEMENT : lire tous les avertissements de sécurité et toutes les directives. Le non-respect des avertissements et des directives pourrait se solder par un choc électrique, un incendie et/ou une blessure grave.



AVERTISSEMENT : afin de réduire le risque de blessures, lire le mode d'emploi de l'outil.

Pour toute question ou remarque au sujet de cet outil ou de tout autre outil Mac Tools, composez le numéro sans frais : 1-800-MAC-TOOLS (1-800-622-8665).

DIRECTIVES DE SÉCURITÉ IMPORTANTES**CONSERVER CES INSTRUCTIONS**

AVERTISSEMENT : la mauvaise utilisation ou maintenance de ce produit peut causer des blessures graves Et des dommages sérieux aux biens. Il faut lire et comprendre tous les avertissements et la Notice d'emploi avant d'utiliser cet équipement. Lorsque vous utilisez des outils pneumatiques, il faut respecter les mesures de sécurité fondamentales pour réduire le risque de blessures.



Ne pas utiliser de tuyaux ou raccords endommagés, détériorés ou fissurés.

Les outils à air comprimé peuvent vibrer pendant leur utilisation. Les vibrations, actions répétitives ou positions inconfortables peuvent être nocives pour les bras et les mains. Discontinuer l'utilisation de l'outil en cas d'inconfort, de picotements ou de douleurs. Consulter un médecin avant d'en reprendre l'utilisation.



Ne pas transporter l'outil par son tuyau à air.



Maintenir une posture équilibrée et ferme. Ne pas effectuer de travaux hors de portée avec cet outil.



Portez toujours une protection auditive et lorsque vous utilisez cet outil.



Portez toujours une protection oculaire ANSI Z87.1 CAN CSA Z94.3 lorsque vous utilisez ou effectuez l'entretien de cet outil.



Arrêter l'arrivée d'air et déconnecter le tuyau d'air comprimé avant d'installer, de retirer ou d'ajuster tout accessoire sur cet outil, ou avant d'effectuer toute maintenance sur l'outil.



Utiliser à une pression d'air maximum de 6,2 Bar (90 PSI).

**AVERTISSEMENT :**

- Empêcher les démarrages intempestifs. S'assurer que l'interrupteur se trouve à la position d'arrêt avant de relier l'outil à une source d'alimentation et/ou d'insérer un bloc-piles, de ramasser ou de transporter l'outil. Transporter un outil électrique alors que le doigt repose sur l'interrupteur ou brancher un outil électrique dont l'interrupteur est à la position de marche risque de provoquer un accident.
- Ne pas utiliser cet outil de façon prolongée. Les vibrations causées par l'outil peuvent être nocives pour les mains ou les bras. Discontinuer l'utilisation de l'outil en cas d'inconfort, de picotements ou de douleurs. Consulter un médecin avant d'en reprendre l'utilisation

- Ranger les outils électriques hors de la portée des enfants et ne permettre à aucune personne n'étant pas familière avec un outil électrique ou son mode d'emploi d'utiliser cet outil. Les outils électriques deviennent dangereux entre les mains d'utilisateurs inexpérimentés.
- N'utilisez pas de gaz oxygène ou réactif; une explosion peut survenir.
- Dépasser la pression maximale de 6,2 Bar (90 PSI) entraîne le risque de danger comme la vitesse excessive, l'usure de l'outil, la rupture de pièces, un couple plus élevé ou une puissance qui peut détruire l'outil et ses accessoires ou la pièce travaillée.
- Il faut lire attentivement tous les livrets inclus avec ce produit. Il faut bien se familiariser avec les commandes et l'emploi correct de l'équipement.
- Seules les personnes qui connaissent bien ces règles de sécurité devraient utiliser l'outil pneumatique.
- Il ne faut pas excéder la pression limite des composants du système.
- Débrancher l'outil pneumatique de l'arrivée d'air avant de changer les outils ou les accessoires et lorsqu'il n'est pas utilisé.
- Il faut toujours porter des lunettes de protection et une protection auditive durant l'emploi. Il faut toujours porter des lunettes de protection avec écrans latéraux. Il faut toujours porter une protection auditive.
- Il ne faut jamais porter des vêtements amples ou un habillement comportant des attaches ou bretelles lâches, etc. qui pourraient être happés par les pièces mobiles de l'outil et causer des blessures graves.
- Il ne faut pas porter de bijou, montre, identification, bracelet, collier, etc. lorsque vous utilisez l'outil, car ils pourraient être happés par les pièces mobiles de l'outil et causer des blessures graves.
- Il ne faut pas abaisser la gâchette lorsque vous raccordez l'outil au boyau d'air d'arrivée.
- Il faut toujours utiliser les accessoires conçus pour les outils pneumatiques.
- Ne pas utiliser l'outil s'il a été endommagé.
- Utiliser exclusivement des accessoires à recommandés par Mac Tools. Inspecter les accessoires avant toute utilisation. Ne pas utiliser d'accessoires fissurés ou endommagés. En effet, il est parfois possible de fixer un accessoire à l'outil électrique; toutefois, cela ne garantit pas une utilisation sécuritaire.
- Il ne faut jamais déclencher l'outil lorsqu'il n'est pas appliqué contre un objet. Les accessoires doivent être bien ancrés. Les accessoires lâches peuvent causer des blessures graves.

- Protégez les conduits d'air des dommages et des perforations.
- Il ne faut jamais pointer l'outil pneumatique vers soi ou autrui. Des blessures graves peuvent survenir.
- Vérifiez les boyaux d'air en cas d'usure ou de détérioration avant chaque emploi. S'assurer que tous les raccords sont bien branchés.
- S'assurer que les boulons, écrous et vis sont bien serrés et que l'équipement est en bon état.
- Gardez les mains et les autres parties du corps, les vêtements amples et les cheveux longs loin de l'extrémité mobile de l'outil.
- Les accessoires et les outils peuvent devenir chauds en cours de fonctionnement. Pour les toucher, porter des gants.
- Ne jetez pas les consignes de sécurité; donnez-les à l'opérateur.
- Ne pas modifier cette scie. Les modifications peuvent réduire l'efficacité des mesures de sécurité et augmenter les risques pour l'utilisateur.
- Le fouettage de tuyaux peut causer des blessures graves. Assurez-vous toujours que les tuyaux et les raccords ne sont pas lâches ou endommagés.



AVERTISSEMENT : (arrivée d'air et raccords)

- N'utilisez jamais de gaz oxygène, de gaz combustible ou autres gaz en bouteille comme source d'énergie pour cet outil, car l'outil peut exploser et possiblement causer des blessures.
- Ne pas utiliser de sources d'alimentation qui peuvent dépasser 13,8 Bar (200 PSI), car les outils peuvent voler en morceaux et causer des blessures.
- Le raccord ne doit pas maintenir une pression lorsque l'arrivée d'air est débranchée. Si le mauvais raccord est utilisé, l'outil peut rester chargé d'air après l'avoir débranché; l'outil pourra fonctionner après que le conduit d'air est débranché et pourra causer des blessures.
- Avant de brancher l'outil à l'entrée d'air, assurez-vous que la gâchette n'est pas bloquée en position de fonctionnement par un obstacle.
- L'outil pneumatique doit être raccordé au réseau d'air comprimé par l'intermédiaire de raccords à débranchement rapide pour faciliter l'arrêt en cas de danger.
- En cas de blocage, relâchez la gâchette et déconnectez l'outil du réseau d'air comprimé.
- S'assurer que tout tuyau ou raccord est de la taille correcte et soigneusement arimé.
- Des débris obstruent parfois le filtre d'aspiration à tamis au niveau de l'entrée d'air, ce qui bloque l'alimentation d'air et diminue les performances de l'outil. Si cela se produit, il faut nettoyer le filtre d'aspiration à tamis.



AVERTISSEMENT : ne pas utiliser l'outil si :

- Si le tuyau d'air ou le raccord est endommagé.
- L'outil a une fuite d'air.

- L'outil a reçu un coup sec, s'il fonctionne mal, s'il a été échappé ou s'il est endommagé de quelque manière. Retournez l'outil à l'établissement de service autorisé le plus près pour une inspection, une réparation ou un ajustement mécanique.
- Les étiquettes d'avertissements sont manquantes ou endommagées.
- L'outil n'est pas en bon état de fonctionnement. Des repères et une séparation physique doivent être utilisés pour le contrôle.



AVERTISSEMENT : lorsque vous utilisez l'outil :

- Tenir l'aire de travail propre et bien éclairée. Les lieux encombrés ou sombres sont propices aux accidents.
- Anticiper et être prêt à tout changement soudain de course lors du démarrage et du fonctionnement de tous les outils pneumatiques.
- Ne pas utiliser dans des conditions humides.
- Manipulez toujours l'outil avec soin.
- Ne jamais faire des plaisanteries.
- Ne jamais pointer l'outil vers vous ou d'autres personnes.
- Gardez les passants et les enfants éloignés lorsque vous utilisez l'outil.
- Respectez l'outil comme un instrument de travail.
- Demeurez alerte, concentré sur votre travail et faites preuve de bon sens lorsque vous travaillez avec des outils.
- Ne pas utiliser l'outil lorsque vous êtes fatigué, après avoir consommé des drogues ou de l'alcool ou si vous prenez des médicaments.
- Ne pas trop s'étirer. Utilisez seulement dans un lieu de travail sécuritaire.
- Maintenez vos pieds bien d'aplomb sur le sol en tout temps.
- Cet outil produit des ÉTINCELLES durant l'utilisation. NE JAMAIS utiliser l'outil près de substances, de gaz ou vapeurs inflammables, incluant le vernis, la peinture, la benzine, le diluant, l'essence, les adhésifs, les mastics, les colles ou toute autre matière qui est (ou dont les vapeurs, la fumée ou les sous-produits sont) inflammables, combustibles ou explosifs. L'utilisation de l'agrafeuse dans un tel environnement pourrait causer une EXPLOSION entraînant une blessure corporelle ou la mort de l'utilisateur et des passants.
- Pour les travaux situés au-dessus du niveau de la tête, portez un casque de sécurité.
- Si l'outil semble mal fonctionner, cessez de l'utiliser et prenez les dispositions pour son entretien et sa réparation.
- L'outil n'est pas isolé électriquement. Ne jamais utiliser l'outil s'il existe un risque qu'il entre en contact avec une ligne sous tension.
- Ne pas verrouiller, utiliser du ruban ou du fil métallique, etc. pour immobiliser la gâchette

réversible dans la position de marche. La gâchette doit toujours être en mesure de retourner à la position « arrêt » lorsqu'elle est libérée.

- Ne jamais poser l'outil sur le sol si l'accessoire de travail est encore en marche.
- Toujours s'assurer que l'interrupteur réversible est dans la position recherchée avant de démarrer l'outil.
- Ne pas utiliser les douilles très usées sur les prises d'entraînement ou de sortie. Vérifiez périodiquement le carré d'entraînement sur la clé à choc. S'assurer que la douille, la rallonge ou autre accessoire est bien assujéti avant d'utiliser l'outil.
- Pour desserrer les fixations, s'assurer qu'il y a suffisamment d'espace derrière l'outil pour éviter de se coincer les mains. L'outil s'éloigne du joint fileté lorsque l'écrou ou le boulon est desserré et remonte le fil, déplaçant l'outil dans son mouvement.



AVERTISSEMENT : débranchez l'outil :

- Lorsque vous ne l'utilisez pas.
- Avant d'effectuer des ajustements.
- Lorsque vous effectuez un entretien ou des réparations.
- Lorsque vous montez, baissez ou déplacez autrement l'outil vers un nouvel emplacement.
- Lorsque l'outil n'est pas sous la supervision ou le contrôle de l'utilisateur.
- Lorsque vous vous déplacez dans une aire de travail différente, puisqu'un déclenchement accidentel peut se produire, causant possiblement une blessure.



AVERTISSEMENT : lorsque vous entretenez l'outil :

- Éteignez toujours l'alimentation de l'air et déconnectez l'outil de l'alimentation de l'air lorsqu'il n'est pas utilisé.
- Lorsque vous travaillez avec des outils pneumatiques, notez les avertissements dans ce guide et soyez très prudent lorsque vous évaluez les outils ayant des problèmes.
- Ne pas lubrifier les outils avec des liquides inflammables ou volatils tels que kérosène, diesel ou carburéacteur.
- Lorsque la durée de vie utile de l'outil a expiré, il est recommandé que l'outil soit démonté, dégraissé et que les pièces soient séparées par matériaux afin qu'elles puissent être recyclées.

Consigne de sécurité supplémentaire



AVERTISSEMENT : porter **SYSTEMATIQUEMENT** des lunettes de protection. Les lunettes courantes **NE** sont **PAS** des lunettes de protection. Utiliser aussi un masque antipoussières si la découpe doit en produire beaucoup. **PORTER SYSTEMATIQUEMENT UN ÉQUIPEMENT DE SÉCURITÉ HOMOLOGUÉ :**

- Protection oculaire ANSI Z87.1 (CAN/CSA Z94.3) ;
- Protection auditive ANSI S12.6 (S3.19) ;
- Protection des voies respiratoires NIOSH/OSHA/MSHA.



AVERTISSEMENT : les scies, meules, ponceuses, perceuses ou autres outils de construction peuvent produire des poussières contenant des produits chimiques reconnus par l'État californien pour causer cancers, malformations congénitales ou être nocifs au système reproducteur. Parmi ces produits chimiques, on retrouve :

- Le plomb dans les peintures à base de plomb ;
- La silice cristallisée dans les briques et le ciment, ou autres produits de maçonnerie ; et
- L'arsenic et le chrome dans le bois ayant subi un traitement chimique.

Le risque associé à de telles expositions varie selon la fréquence à laquelle on effectue ces travaux. Pour réduire toute exposition à ces produits : travailler dans un endroit bien aéré, en utilisant du matériel de sécurité homologué, tel un masque antipoussières spécialement conçu pour filtrer les particules microscopiques.

- **Limiter toute exposition prolongée avec les poussières provenant du ponçage, sciage, meulage, perçage ou toute autre activité de construction. Porter des vêtements de protection et nettoyer à l'eau savonneuse les parties du corps exposées.** Le fait de laisser la poussière pénétrer dans la bouche, les yeux ou la peau peut favoriser l'absorption de produits chimiques dangereux.



AVERTISSEMENT : cet outil peut produire et/ou répandre de la poussière susceptible de causer des dommages sérieux et permanents au système respiratoire. Utiliser systématiquement un appareil de protection des voies respiratoires homologué par le NIOSH ou l'OSHA. Diriger les particules dans le sens opposé au visage et au corps.



AVERTISSEMENT : pendant l'utilisation, porter systématiquement une protection auditive individuelle adéquate homologuée ANSI S12.6 (S3.19). Sous certaines conditions et suivant la durée d'utilisation, le bruit émanant de ce produit pourrait contribuer à une perte de l'acuité auditive.



ATTENTION : après utilisation, ranger l'outil sur son côté, sur une surface stable, là où il ne pourra ni faire trébucher ni faire chuter quelqu'un. Certains outils peuvent tenir à la verticale, mais manquent alors de stabilité.

CONSERVER CES CONSIGNES POUR UTILISATION ULTÉRIEURE

DESCRIPTION (FIG. A)



AVERTISSEMENT : ne jamais modifier l'outil électrique ni aucun de ses composants, car il y a risques de dommages corporels ou matériels.

Reportez-vous en Figure A au début de ce manuel pour obtenir la liste complète des composants.

Usage prévu

Ce cliquet pneumatique est conçu pour enfoncer, serrer et desserrer des fixations filetées, généralement des écrous et des boulons, lorsqu'il est muni d'une douille appropriée. Utilisez toujours des rallonges, des joints universels et des adaptateurs de douilles entre le carré d'entraînement de sortie du cliquet pneumatique et le carré d'entraînement femelle de la douille.

NE PAS utiliser l'outil pour toute autre fin que celles indiquées sans consulter le fabricant ou le fournisseur autorisé du fabricant. Cela peut être dangereux.

Ne jamais utiliser le cliquet pneumatique comme un marteau pour enlever ou redresser des fixations cruciformes. Ne jamais tenter de modifier l'outil pour d'autres utilisations.

NE PAS les utiliser en milieu ambiant humide ou en présence de liquides ou de gaz inflammables.

Ce cliquet pneumatique est un outil électrique professionnel.

NE PAS le laisser à la portée des enfants. Une supervision est nécessaire auprès de tout utilisateur non expérimenté.

Glossaire

CFM : pied cube par minute.

SCFM : pied cube par minute (standard), une unité de mesure du soufflage.

L/s : Litres par seconde; une unité de mesure métrique de l'alimentation de l'air.

PSI : livres par pouce carré, une unité de mesure de pression.

Bar : Une unité de mesure métrique de la pression.

Code de certifications : les produits qui affichent un ou plusieurs des étampes suivantes : UL, CUL, ETL, CETL ont été évalués par un laboratoire de sécurité indépendant sanctionné par l'OSHA et qui répond aux normes en vigueur des Underwriters Laboratories en ce qui a trait à la sécurité.

TR/MIN : Tours par minute; est une unité de mesure indiquant la fréquence d'un tour.

NPT : « National pipe thread » (filetage conique); est une norme américaine pour les filets coniques utilisés dans les tuyaux et les raccords filetés.

ID : Diamètre intérieur

Fiche technique

| MPF59025 | |
|---|---------------------------------------|
| Carré conducteur | 1/4 po ou 3/8 po |
| Couple maximal (inversion) | 54 Nm (40 pieds lbs) |
| Vitesse à vide à 6,2 Bar (90 PSI) | 300 rpm |
| Poids net | 0,66 kg (1,5 lbs) |
| Type d'échappement | Arrière |
| Consommation moyenne d'air vitesse à vide | 12 L/s (25 SCFM) 1,7 L/s (3,6 CFM) |
| Consommation moyenne d'air en charge | 12 L/s (25 SCFM) 1,7 L/s (3,6 CFM) |
| Dimension de l'entrée d'air | 1/4 po NPT(F) |
| Dimension recommandée du tuyau | 10 mm (3/8 po) |

MPF59025

| | | |
|--|------------------|-----|
| Pression d'air maximale | 6,2 Bar (90 PSI) | |
| Valeurs acoustiques et valeurs vibratoires (somme vectorielle triax) selon EN ISO 11148-6. | | |
| L _{PA} (niveau d'émission de pression acoustique) | dB(A) | 96 |
| L _{WA} (niveau de puissance acoustique) | dB(A) | 107 |
| K (incertitude pour le niveau acoustique donné) | dB(A) | 3 |
| Valeur d'émission de vibration a _{h1} = | m/s ² | 3,9 |
| Incertitude K = | m/s ² | 1,5 |

Postes de travail

Votre clé à chocs ne doit être utilisée que comme outil à main. Il est toujours recommandé que l'utilisateur se tienne debout pour utiliser l'outil. L'outil peut être utilisé si l'utilisateur est dans une autre position, mais avant d'en faire l'utilisation, ce dernier doit s'assurer qu'il se trouve dans une position sécuritaire et qu'il peut avoir une prise ferme sur l'outil; prendre note que lorsque l'outil est utilisé pour dévisser des attaches, l'outil peut alors s'éloigner rapidement de l'attache à dévisser. Il faut prévoir un espace à l'arrière pour le mouvement de recul de l'outil afin d'éviter le coincement de la main, du bras ou du corps.

Caractéristiques

Interrupteur avant/arrière (Fig. A)

L'interrupteur avant/arrière **5** permet à l'outil de fonctionner dans la direction Avant ou Arrière pour un fonctionnement plus facile et robuste.

Carré d'entraînement 1/4 po et 3/8 po (Fig. A)

Le carré d'entraînement 1/4 po et 3/8 po **1** permet de fixer des douilles d'entraînement de 1/4 po et 3/8 po.

Tête étanche (Fig. A)

La conception de la tête étanche **6** empêche l'écartement de la fourche sous une application de couple élevé.

Poignée en caoutchouc (Fig. A)

Cet outil pneumatique a une poignée en caoutchouc **4** faite d'élastomère thermoplastique (TPE) moulé conçue pour un confort amélioré, une réduction du glissement et un meilleur contrôle de l'outil.

Gâchette de vitesse variable (Fig. A)

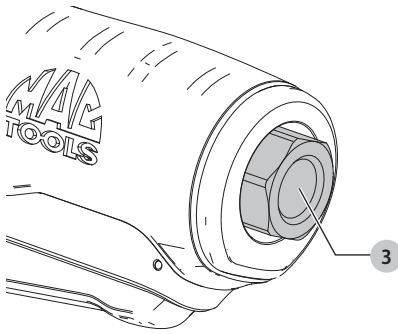
La gâchette de vitesse variable **2** permet à l'utilisateur de contrôler le démarrage et l'arrêt de l'outil pneumatique.

Entrée 1/4 po (Fig. B)

L'entrée 1/4 po **3** de l'outil située en bas de la poignée de l'outil est utilisée pour connecter l'alimentation de l'air avec un filetage américain NPT 1/4 po.

FRANÇAIS

Fig. B



ASSEMBLAGE ET AJUSTEMENTS



AVERTISSEMENT : afin de réduire le risque de blessure corporelle, éteignez l'appareil et déconnectez la source d'alimentation de l'air, avant d'effectuer tout ajustement ou de retirer/installer des pièces ou des accessoires. Un démarrage accidentel peut provoquer des blessures.

Fixer et retirer les enclumes à carré d'entraînement (Fig. A)

Votre outil est offert avec deux enclumes, une enclume à carré d'entraînement 1/4 po 7 et une enclume à carré d'entraînement 3/8 po 8, appropriées pour être utilisées avec des douilles de tailles correspondantes. Pour installer une enclume, poussez-la simplement dans le carré d'entraînement 1 jusqu'à ce que vous entendiez un « clic ». L'enclume peut être installée à l'avant ou à l'arrière de la tête afin de vous permettre plus de polyvalence pour introduire l'outil dans des espaces étroits plus aisément.

Pour retirer l'enclume du cliquet pneumatique, poussez le bouton à l'arrière de l'enclume et sortez l'unité en la glissant.

Alimentation d'air (Fig. C)

Le branchement recommandé est illustré dans la Figure C. Les outils pneumatiques fonctionnent selon une grande plage de pression d'air. Pour une efficacité maximale et une longue vie de l'outil, la pression de l'air fourni à ces outils NE DOIT PAS dépasser la pression nominale de l'outil lorsque l'outil fonctionne. L'utilisation d'une pression plus élevée que la pression nominale peut provoquer l'usure plus rapide de l'outil et en écourter la durée. Une pression d'air plus élevée peut aussi provoquer des conditions dangereuses et une explosion.

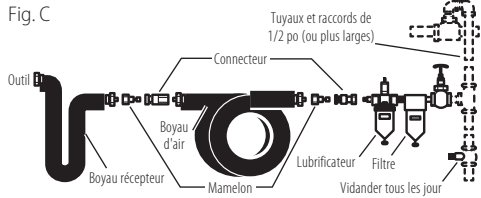
Il faut augmenter le diamètre intérieur du boyau comme compensation lorsqu'il est très long (plus de 7,6 m [25 pieds]). Le diamètre intérieur minimum du boyau est être de 10 mm (3/8 po) et les raccords doivent avoir les mêmes dimensions intérieures.

Il est recommandé d'utiliser des lubrificateurs et des filtres à air dans les conduits d'air pour empêcher l'eau de pénétrer dans le conduit et endommager l'outil. Vider le réservoir bd'air tous les jours. Nettoyer le grillage du filtre du conduit d'air au moins une fois par semaine pour supprimer la

saleté accumulée ou autre débris qui peut restreindre le débit d'air.

L'entrée d'air de l'outil utilisée pour raccorder l'alimentation d'air comporte un fil standard américain de 1/4 po NPT.

Fig. C



UTILISATION



AVERTISSEMENT : afin de réduire le risque de blessure corporelle, éteignez l'appareil et déconnectez la source d'alimentation de l'air, avant d'effectuer tout ajustement ou de retirer/installer des pièces ou des accessoires. Un démarrage accidentel peut provoquer des blessures.

Position correcte des mains (Fig. D)



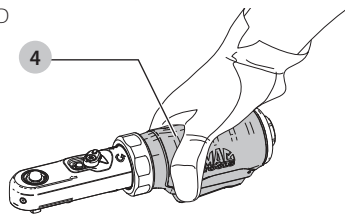
AVERTISSEMENT : pour réduire tout risque de dommages corporels graves, adopter **SYSTÉMATIQUEMENT** la position des mains illustrée.



AVERTISSEMENT : pour réduire tout risque de dommages corporels graves, maintenir **SYSTÉMATIQUEMENT** l'outil fermement pour anticiper toute réaction soudaine.

La position des mains adéquate nécessite une main sur la poignée en caoutchouc 4.

Fig. D



Préparer l'outil pneumatique



AVERTISSEMENT : risque d'utilisation dangereuse. Saisir fermement le tuyau en main lors du raccordement ou de la déconnexion pour empêcher un à-coup du tuyau.



AVERTISSEMENT : risque d'éclatement. Une trop forte pression d'air représente un risque de rupture. Vérifiez la pression maximum suggérée par le fabricant pour les outils pneumatiques et les accessoires. La pression de sortie du régulateur ne doit jamais dépasser la pression maximale nominale.

- Vidanger l'eau du réservoir d'air comprimé et la condensation des conduits d'air. (Veuillez consulter la notice d'emploi du compresseur d'air.)
- Lubrifier l'outil (Veuillez consulter la section **Maintenance** dans ce guide.)
- Brancher la clé à choc pneumatique à la source d'air en utilisant le boyau de la taille recommandée.

Procédures d'utilisation

Alimentation de l'air (Fig. C)

! **ATTENTION** : cet outil pneumatique nécessite une lubrification AVANT l'utilisation initiale, aussi avant et après chaque utilisation supplémentaire.

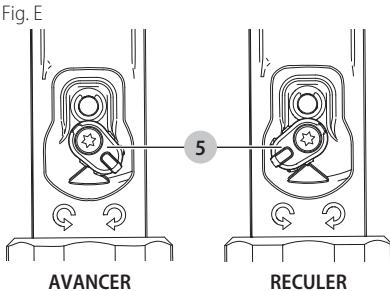
! **AVERTISSEMENT** : utilisez une alimentation de l'air lubrifiée propre qui donnera une pression d'air mesurée à l'outil de 6,2 Bar/90 PSI lorsque l'outil fonctionne avec la gâchette complètement enfoncée.

Utilisez la taille de tuyau recommandée. Il est recommandé que cet outil soit connecté à l'alimentation de l'air comme illustré dans la Figure C.

Ne pas connecter l'outil au système d'alimentation de l'air sans intégrer une vanne d'arrêt pneumatique facile à atteindre et à utiliser. L'alimentation de l'air doit être lubrifiée. Il est fortement recommandé d'utiliser un filtre à air, un régulateur et un lubrificateur (FRL) comme illustré dans la Figure C puisque cela fournira de l'air lubrifié propre à la bonne pression à l'outil. Les détails de cet équipement peuvent être fournis par votre fournisseur. Si cet équipement n'est pas utilisé, l'outil doit alors être lubrifié en coupant l'alimentation de l'air de l'outil, puis en dépressurisant la conduite en appuyant sur la gâchette de l'outil. Déconnectez la conduite d'air et versez dans l'entrée d'air 1 cuillère à thé d'une huile de lubrification à moteur pneumatique appropriée, en incorporant préféablement un anti-rouille. Reconnectez l'outil à l'alimentation de l'air et faites fonctionner lentement l'outil pendant quelques secondes pour permettre à l'air de circuler dans l'huile. Lubrifiez quotidiennement l'outil si vous l'utilisez fréquemment ou lorsqu'il démarre trop lentement ou s'il perd de la puissance.

Démarrage (Fig. A, E)

1. Mettez en marche le compresseur d'air et laissez le réservoir d'air se remplir.
2. Réglez le régulateur du compresseur d'air à 6,2 Bar (90 PSI). Cet outil pneumatique fonctionne à une pression d'air maximale de 6,2 Bar (90 PSI).
3. Réglez le bouton avancer/reculer à la **5** position avancer ou reculer.



4. Appuyez sur la gâchette de vitesse variable **2** pour commencer à utiliser l'outil.

Arrêt (Fig. A)

1. Appuyez sur la gâchette de vitesse variable **2** pour arrêter l'outil.

2. Lorsque vous changez les douilles, déconnectez toujours l'alimentation de l'air afin d'éviter une blessure.
3. Une fois que la tâche est terminée, éteignez le compresseur d'air et rangez l'outil pneumatique après la lubrification.

Instructions d'utilisation (Fig. A)

1. Fixez solidement la douille ou l'accessoire au cliquet pneumatique.
2. Assurez-vous que le bouton avancer/reculer **5** est à la bonne position pour serrer ou desserrer la fixation.
3. L'écrou/le boulon peut descendre sur le filet à l'aide de la commande mécanique de l'outil. Pour desserrer un joint, l'outil peut être utilisé dans la séquence inverse.

MAINTENANCE

! **AVERTISSEMENT** : afin de réduire le risque de blessure corporelle, éteignez l'appareil et déconnectez la source d'alimentation de l'air, avant d'effectuer tout ajustement ou de retirer/installer des pièces ou des accessoires. Un démarrage accidentel peut provoquer des blessures.

Lubrification

Les outils pneumatiques nécessitent une lubrification pendant toute la durée de vie des outils.

Le moteur et le roulement pneumatique utilisent de l'air comprimé pour alimenter l'outil. L'air comprimé contient de l'humidité qui fera rouiller le moteur pneumatique d'autres parties à l'intérieur des outils, la lubrification est par conséquent nécessaire quotidiennement. Ne pas bien lubrifier l'outil pneumatique raccourcira considérablement la vie de l'outil et annulera la garantie.

! **ATTENTION** : cet outil pneumatique nécessite une lubrification AVANT l'utilisation initiale, aussi avant et après chaque utilisation supplémentaire.

Pour lubrifier manuellement l'outil pneumatique

1. Retirez tout accessoire sur l'entraînement des outils pneumatiques comme : des douilles, des ciseaux, etc.
2. Déconnectez l'outil de la source de l'alimentation de l'air, placez l'entrée d'air vers le haut.
3. Appuyez sur la gâchette et mettez environ 1 cuillère à thé d'huile à outil pneumatique dans l'entrée d'air. (Appuyer sur la gâchette aidera à faire circuler l'huile dans le moteur.)

REMARQUE : Utilisez une huile SAE n° 10 si l'huile pour outils pneumatiques n'est pas disponible.

! **AVERTISSEMENT** : gardez hors de la portée des enfants. Si de l'huile a été ingérée, ne pas faire vomir. Appelez immédiatement un médecin.

! **AVERTISSEMENT** : tout excès d'huile dans le moteur est immédiatement expulsé de l'orifice d'échappement. Dirigez toujours l'orifice d'échappement loin des gens ou des objets.

FRANÇAIS

- Connectez l'outil à une source d'air, couvrez l'extrémité de l'échappement avec une serviette et faites fonctionner pendant 20 à 30 secondes.
- Après chaque 48 heures ou chaque utilisation, ou selon l'expérience, injectez environ 1 cuillère à thé de graisse pneumatique approuvée dans le raccord de graissage.

Entreposage

L'outil pneumatique doit être lubrifié avant l'entreposage. Suivez les étapes 1 à 3 dans **Pour lubrifier manuellement l'outil pneumatique**.

Nettoyage



AVERTISSEMENT : enlever les saletés et la poussière hors des événements au moyen d'air comprimé propre et sec, au moins une fois par semaine. Pour minimiser le risque de blessure aux yeux, toujours porter une protection oculaire conforme à la norme ANSI Z87.1 lors du nettoyage.



AVERTISSEMENT : ne jamais utiliser de solvants ni d'autres produits chimiques puissants pour nettoyer les pièces non métalliques de l'outil. Ces produits chimiques peuvent affaiblir les matériaux de plastique utilisés dans ces pièces. Utiliser un chiffon humecté uniquement d'eau et de savon doux. Ne jamais laisser de liquide pénétrer dans l'outil et n'immerger aucune partie de l'outil dans un liquide.

Accessoires



AVERTISSEMENT : puisque les accessoires autres que ceux offerts par Mac Tools n'ont pas été testés avec ce produit, leur utilisation pourrait s'avérer dangereuse. Pour réduire le risque de blessures, utiliser exclusivement les accessoires Mac Tools recommandés avec le présent produit.

Les accessoires recommandés pour cet outil sont vendus séparément au centre de service de votre région. Pour obtenir de l'aide concernant l'achat d'un accessoire, communiquer avec Mac Tools, 505 North Cleveland Ave., Westerville, Ohio 43082, call 1-800-MAC-TOOLS (1-800-622-8665) or visit our website www.mactools.com.

Service à la clientèle du Royaume-Uni :
Mac Tools UK, Europa Court,
Sheffield Business Park, Sheffield, Angleterre S9 1XE
Tél. : +44 (0) 1142 917266 Téléc. : +44 (0) 1142 917131
Courriel : customerservices@mactools.co.uk

Réparations



AVERTISSEMENT : pour assurer la SÉCURITÉ et la FIABILITÉ du produit, les réparations, l'entretien et les réglages doivent être réalisés (cela comprend l'inspection et le remplacement du balai, le cas échéant) par un centre de réparation en usine Mac Tools ou un centre de réparation agréé Mac Tools. Toujours utiliser des pièces de rechange identiques.

Registre en ligne

Merci pour votre achat. Enregistrez dès maintenant votre produit :

- RÉPARATIONS SOUS GARANTIE** : cette carte remplie vous permettra de vous prévaloir du service de réparations sous garantie de façon plus efficace dans le cas d'un problème avec le produit.
- CONFIRMATION DE PROPRIÉTÉ** : en cas de perte provoquée par un incendie, une inondation ou un vol, cette preuve de propriété vous servira de preuve auprès de votre compagnie d'assurances.
- SÉCURITÉ** : l'enregistrement de votre produit nous permettra de communiquer avec vous dans l'éventualité peu probable de l'envoi d'un avis de sécurité régi par la loi fédérale américaine de la protection des consommateurs.

Registrez en ligne à www.mactools.com.

Garantie limitée de deux ans

Mac Tools réparera sans frais tout outil défectueux pour cause de défaut de matériau ou de main-d'œuvre sur une période de deux ans à partir de la date d'achat de l'outil. La présente garantie ne couvre pas les pièces dont la défectuosité a été causée par une usure normale ou l'usage abusif de l'outil. Pour obtenir de plus amples renseignements sur les pièces ou les réparations couvertes par la présente garantie, visiter le site www.mactools.com ou composer le 1-800-MAC-TOOLS (1-800-622-8665). CETTE GARANTIE LIMITÉE REMPLACE TOUTE AUTRE GARANTIE, Y COMPRIS TOUTE GARANTIE IMPLICITE DE QUALITÉ MARCHANDE OU DE CONFORMITÉ À DES FINS PARTICULIÈRES, ET EXCLUT TOUT DOMMAGE ACCESSOIRE OU INDIRECT. Certains états n'autorisent aucune limitation quant à la durée d'une garantie implicite ni aucune exclusion ou limitation de garantie contre tout préjudice accessoire ou indirect, aussi il se peut que ces exclusions ne vous soient pas applicables. Cette garantie confère des droits légaux particuliers à l'acheteur, mais celui-ci pourrait aussi bénéficier d'autres droits variant d'un territoire à l'autre.

AMÉRIQUE LATINE : cette garantie ne s'applique aux produits vendus en Amérique latine. Pour ceux-ci, veuillez consulter les informations relatives à la garantie spécifique présente dans l'emballage, appeler l'entreprise locale ou consulter le site Web pour les informations relatives à cette garantie.

REMPLACEMENT GRATUIT DES ÉTIQUETTES

D'AVERTISSEMENT : si les étiquettes d'avertissement deviennent illisibles ou sont manquantes, composer le 1-800-MAC-TOOLS (1-800-622-8665) pour en obtenir le remplacement gratuit.

Certificat de Conformité CE

Directives Machines



Cliquet pneumatique compact 1/4 po à 3/8 po

MPF59025

Mac Tools certifie que les produits décrits dans le paragraphe **Fiche technique** sont conformes aux normes : EN ISO11148-6:2012.

Le soussigné est responsable de la compilation du fichier technique et fait cette déclaration au nom de Mac Tools.

A handwritten signature in black ink, appearing to read 'M. Rompel', is written over a light blue horizontal line.

Markus Rompel
Vice-président Ingénierie, PTE-Europe
Mac Tools UK, Europa Court, Sheffield Business Park,
Sheffield, England S9 1XE
22.10.2018

Definiciones: Símbolos y Palabras de Alerta de Seguridad

Este manual de instrucciones utiliza los siguientes símbolos y palabras de alerta de seguridad para alertarle de situaciones peligrosas y del riesgo de lesiones corporales o daños materiales.

! **PELIGRO:** Indica una situación de peligro inminente que, si no se evita, provocará **la muerte o lesiones graves**.

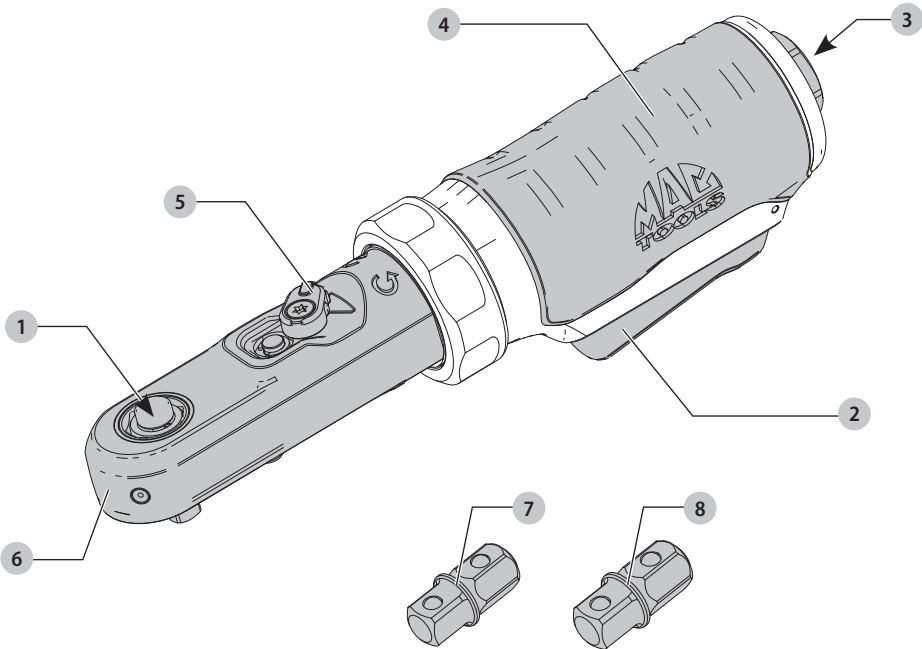
! **ADVERTENCIA:** Indica una situación de peligro potencial que, si no se evita, **podría provocar la muerte o lesiones graves**.

! **ATENCIÓN:** Indica una situación de peligro potencial que, si no se evita, **posiblemente provocaría lesiones leves o moderadas**.

! (Utilizado sin palabras) indica un mensaje de seguridad relacionado.

AVISO: Se refiere a una práctica **no relacionada a lesiones corporales** que de no evitarse **puede resultar en daños a la propiedad**.

Fig. A



- 1 Casquillo cuadrado de 1/4" a 3/8"
- 2 Gatillo de velocidad variable
- 3 Entrada de 1/4"
- 4 Manija de agarre de hule
- 5 Interruptor de avance/reversa
- 6 Cabeza sellada
- 7 Yunque cuadrado de 1/4"
- 8 Yunque cuadrado de 3/8"

! **ADVERTENCIA:** **Lea todas las advertencias de seguridad e instrucciones.** El incumplimiento de las advertencias e instrucciones puede provocar descargas eléctricas, incendios o lesiones graves.

! **ADVERTENCIA:** Para reducir el riesgo de lesiones, lea el manual de instrucciones.

Si tiene alguna duda o algún comentario sobre ésta u otra herramienta Mac Tools, llámenos al número gratuito: 1-800-MAC-TOOLS (1-800-622-8665).

INSTRUCCIONES DE SEGURIDAD IMPORTANTES

GUARDE ESTAS INSTRUCCIONES



ADVERTENCIA: La operación o el mantenimiento inapropiados de este producto podrán resultar en Lesiones graves y daños a la propiedad. Lea y comprenda todas las advertencias e Instrucciones de operación antes de usar este equipo. Cuando use herramientas neumáticas, Se deberán seguir las precauciones de seguridad básicas para reducir el riesgo de heridas personales.



No utilice mangueras de aire y accesorios dañados, desgastados o deteriorados.

Las herramientas neumáticas pueden vibrar durante el uso. La vibración, los movimientos repetitivos o las posiciones incómodas pueden ser peligrosos para las manos y los brazos.



Deje de usar cualquier herramienta si siente incomodidad, tiene una sensación de hormigueo o siente dolor. Busque asesoramiento médico antes de continuar el uso.



No transporte la herramienta por la manguera.



Mantenga una postura equilibrada y firme. No ponga en peligro su estabilidad al operar esta herramienta.



Siempre use protección de audición cuando opere esta herramienta.



Siempre use protección para los ojos ANSI Z87.1 CAN CSA Z94.3 cuando opere o realice el mantenimiento de esta herramienta.



Apague siempre el suministro de aire y desconecte la manguera de suministro de aire antes de instalar, retirar o ajustar cualquier accesorio o antes de realizar cualquier tarea de mantenimiento en esta herramienta.



Operar a una presión máxima de aire de 6,2 Bar (90 PSI).



ADVERTENCIA:

- Evite el encendido accidental. Verifique que el gatillo esté en la posición de apagado antes de conectar a la fuente de aire, levantar o transportar la herramienta. Llevar las herramientas eléctricas con el dedo en el interruptor o enchufar herramientas eléctricas con el interruptor en la posición de encendido puede ocasionar accidentes.
- No opere esta herramienta durante períodos prolongados. La vibración provocada por la acción de la herramienta puede ser peligrosa para

sus manos y brazos. Deje de utilizar cualquier herramienta si se produce malestar, sensación de hormigueo o dolor. Consulte con un médico antes de volver a utilizarla.

- Guarde la herramienta eléctrica que no esté en uso fuera del alcance de los niños y no permita que otras personas no familiarizadas con ella o con estas instrucciones operen la herramienta. Las herramientas eléctricas son peligrosas si son operadas por usuarios no capacitados.
- No use oxígeno o gases reactivos; podrá ocurrir una explosión.
- Si se supera la presión máxima de 6,2 Bar (90 PSI) se corre peligro de velocidad excesiva, desgaste de la herramienta, rotura de piezas, mayor torsión o fuerza que puede destruir la herramienta y sus accesorios o la pieza de trabajo.
- Lea cuidadosamente todos los manuales incluidos con este producto. Familiarícese completamente con los controles y con el uso apropiado del equipo.
- Sólo personas bien familiarizadas con estas reglas de operación seguras se les deberá permitir el uso de la herramienta neumática.
- No exceda ninguna capacidad de presión de ningún componente en el sistema.
- Desconecte la herramienta neumática de la fuente de aire antes de cambiar de herramienta o aditamento y mientras no está operando.
- Siempre use gafas de seguridad y protección para los oídos durante la operación. Siempre use gafas de seguridad aprobadas con protector de cara. Siempre use protección para los oídos aprobada.
- No use ropas sueltas o atavío que contengan cintas o corbatas sueltas, etc. los cuales se podrán enredar con las piezas en movimiento de la herramienta y resultar en heridas corporales serias.
- No use joyas, relojes, identificaciones, brazaletes, collares, etc. cuando opere esta herramienta, ellos se podrán enredar con las piezas en movimiento de la herramienta y resultar en lesiones graves.
- No oprima el gatillo cuando esté conectando la manguera de alimentación de aire.
- Utilice siempre accesorios diseñados para ser utilizados con herramientas de impacto neumáticas.
- No utilice la herramienta si se ha dañado.
- Utilice solamente accesorios clasificados para recomendados por Mac Tools. Revise los accesorios antes de usarlos. No utilice accesorios agrietados o dañados. Simplemente porque el accesorio puede sujetarse a su herramienta eléctrica no garantiza un funcionamiento seguro.
- Nunca dispare el gatillo cuando la herramienta no esté aplicada en un objeto de trabajo. Los

accesorios tienen que ser sujetados seguramente. Los accesorios flojos pueden causar heridas serias.

- Proteja la manguera de aire de daños y perforaciones.
- Nunca apunte la herramienta neumática hacia usted u otra persona. Podrán ocurrir lesiones graves.
- Revise las mangueras de aire para ver si están desgastadas o débiles antes de cada uso. Asegúrese de que todas las conexiones estén seguras.
- Mantenga todas las tuercas, pernos y tornillos apretados y asegúrese de que el equipo esté en condiciones seguras de trabajo.
- Mantenga las manos y otras partes del cuerpo, ropa suelta y cabello largo alejados del extremo móvil de la herramienta.
- Los accesorios y herramientas pueden calentarse durante la operación. Use guantes al tocarlos.
- No descarte las instrucciones de seguridad; entréguelas al operador.
- No modifique esta herramienta. Las modificaciones pueden reducir la efectividad de las medidas de seguridad e incrementar los riesgos para el operador.
- El rebote de las mangueras puede causar lesiones graves. Siempre compruebe si hay mangueras y accesorios dañados o sueltos.



ADVERTENCIA: (Alimentación de Aire y Conexiones)

- No use oxígeno, gases combustibles o gases embotellados como fuente de potencia para esta herramienta ya que la herramienta puede explotar, posiblemente causando lesiones.
- No utilice fuentes de suministro que puedan exceder potencialmente 13,8 Bar (200 PSI) ya que esto puede ocasionar que la herramienta estalle y cause lesiones.
- El conector de la herramienta no deberá mantener la presión cuando el suministro de aire es desconectado. Si se usa un acople equivocado, la herramienta podrá quedarse cargada con aire después de desconectar y así será capaz de operar después de que la manguera de aire ha sido desconectada causando posiblemente lesiones.
- Antes de conectar la herramienta a la entrada de aire, compruebe que el gatillo no esté bloqueado en la posición de encendido por un obstáculo.
- La herramienta neumática debe colocarse y conectarse a la red de aire comprimido por medio de desconexiones rápidas para facilitar el apagado en caso de peligro.
- En caso de bloqueo, libere el gatillo y desconecte la herramienta de la red de aire comprimido.
- Asegúrese de que todas las mangueras y accesorios sean del tamaño correcto y estén bien apretados.

- El filtro de malla de aire en la entrada de aire ocasionalmente se obstruye con suciedad, lo que bloquea el suministro de aire y disminuye el rendimiento de la herramienta. Si esto sucede, el filtro de malla de aire debe limpiarse.



ADVERTENCIA: No opere la herramienta si:

- Hay algún daño en la manguera o conexión de aire.
- La herramienta pierde aire.
- La herramienta ha recibido un golpe fuerte, un mal funcionamiento o se ha caído o dañado de alguna manera. Devuelva la herramienta a la instalación de servicio autorizada más cercana para su examen, reparación o ajuste mecánico.
- Las etiquetas de advertencia faltan o están dañadas.
- La herramienta no está en buen estado de operación. Se deben usar etiquetas y separación física para el control.



ADVERTENCIA: Cuando se opera la herramienta:

- Mantenga el área de trabajo limpia y bien iluminada. Las áreas abarrotadas y oscuras propician accidentes
- Anticípese y esté atento a los cambios repentinos en el movimiento durante el arranque y la operación de cualquier herramienta eléctrica.
- No use en condiciones húmedas.
- Siempre maneje la herramienta con cuidado.
- Nunca juegue bruscamente con otros.
- Nunca apunte la herramienta hacia usted o hacia otros.
- Mantenga a los demás a una distancia segura de la herramienta mientras la herramienta esté en funcionamiento.
- Respete la herramienta como un implemento de trabajo.
- Manténgase alerta, concéntrese en su trabajo y use el sentido común cuando trabaje con herramientas.
- No use la herramienta cuando esté cansado, después de haber consumido drogas o alcohol, o bajo la influencia de medicamentos.
- No se estire. Sólo use en un lugar de trabajo seguro.
- Mantenga una base de apoyo adecuada en todo momento.
- Esta herramienta produce CHISPAS durante la operación. NUNCA use la herramienta cerca de sustancias, gases o vapores inflamables, incluyendo laca, pintura, bencina, diluyente, gasolina, adhesivos, masillas, pegamentos o cualquier otro material - o los vapores, humos o subproductos - que sean inflamables, combustibles o explosivos. El uso del sujetador en cualquier entorno puede causar una EXPLOSIÓN que puede ocasionar lesiones personales o la muerte al usuario y a los transeúntes.

- Para trabajos en altura, use un casco de seguridad.
- Si parece que la herramienta funciona mal, retírela de servicio y haga los arreglos necesarios para repararla.
- Esta herramienta no está aislada eléctricamente. Nunca use la herramienta si hay alguna probabilidad de que entre en contacto con la electricidad.
- No trabe, pegue con cinta adhesiva, amarre con alambre el gatillo en la posición de marcha. El gatillo siempre deberá estar libre para regresar a la posición de "apagado" al ser soltado.
- Nunca recueste la herramienta a menos que el accesorio de trabajo haya dejado de moverse.
- Asegúrese siempre de que el interruptor de marcha adelante/reverso esté en la posición deseada antes de arrancar la herramienta.
- No use dados con desgaste excesivo en la cabeza motriz de entrada o de salida. Revise periódicamente el cuadrante de la llave de impacto. Asegúrese de que el dado, barra de extensión u otro aditamento quede asegurado firmemente antes de operar la herramienta.
- Al aflojar sujetadores asegúrese primero que haya suficiente espacio libre detrás de la herramienta para evitar que le atrape la mano. La herramienta se alejará de la junta roscada a medida que la tuerca o tornillo es aflojado y sale de la rosca, moviendo la herramienta con el sujetador.



ADVERTENCIA: Desconecte la herramienta:

- Cuando no esté en uso.
- Antes de efectuar ajustes.
- Al realizar cualquier mantenimiento o reparación.
- Al elevar, bajar o mover la herramienta a una nueva ubicación.
- Cuando la herramienta esté fuera de la supervisión o control del operador.
- Cuando se mueva a un área de trabajo diferente, ya que puede ocurrir una activación accidental, posiblemente causando lesiones.



ADVERTENCIA: Al dar mantenimiento a la herramienta:

- Siempre cierre el suministro de aire y desconecte la herramienta del suministro de aire cuando no esté en uso.
- Al trabajar con herramientas neumáticas, tenga en cuenta las advertencias de este manual y tenga especial cuidado al evaluar las herramientas con problemas.
- No lubrique las herramientas con líquidos inflamables o volátiles tales como queroseno, diésel o combustible para aviones.
- Cuando la vida de la herramienta ha caducado, se recomienda que se desensamble y desengrase, y que las partes se separen por material para que puedan reciclarse.

Instrucción Adicional de Seguridad



ADVERTENCIA: Use **SIEMPRE** lentes de seguridad. Los anteojos de diario **NO SON** lentes de seguridad. Utilice además una cubrebocas o mascarilla antipolvo si la operación de corte genera demasiado polvo. **SIEMPRE LLEVE EQUIPO DE SEGURIDAD CERTIFICADO:**

- protección ocular ANSI Z87.1 (CAN/CSA Z94.3),
- protección auditiva ANSI S12.6 (S3.19),
- protección respiratoria NIOSH/OSHA/MSHA.



ADVERTENCIA: Algunas partículas de polvo generadas al lijar, serrar, esmerilar y taladrar con herramientas eléctricas, así como al realizar otras actividades de construcción, contienen químicos que el Estado de California sabe que pueden producir cáncer, defectos congénitos u otras afecciones reproductivas. Ejemplos de estos químicos son:

- plomo de algunas pinturas en base a plomo,
- polvo de sílice proveniente de ladrillos y cemento y otros productos de albañilería, y
- arsénico y cromo provenientes de madera tratada químicamente.

Su riesgo de exposición a estos químicos varía, dependiendo de la frecuencia con la cual realiza usted este tipo de trabajo. Para reducir su exposición a estas sustancias químicas: trabaje en una zona bien ventilada y llevando equipos de seguridad aprobados, como mascarillas antipolvo especialmente diseñadas para filtrar partículas microscópicas.

- **Evite el contacto prolongado con polvo generado por el lijado, aserrado, pulido, taladrado y otras actividades de construcción. Vista ropas protectoras y lave las áreas de la piel expuestas con agua y jabón.** Si permite que el polvo se introduzca en la boca u ojos o quede sobre la piel, puede favorecer la absorción de productos químicos peligrosos.



ADVERTENCIA: La utilización de esta herramienta puede generar polvo o dispersarlo, lo que podría causar daños graves y permanentes al sistema respiratorio, así como otras lesiones. Siempre use protección respiratoria aprobada por NIOSH (Instituto Nacional de Seguridad y Salud en el Trabajo) u OSHA (Administración de Seguridad y Salud en el Trabajo) apropiada para la exposición al polvo. Dirija las partículas en dirección contraria a la cara y el cuerpo.



ADVERTENCIA: Siempre lleve la debida protección auditiva personal en conformidad con ANSI S12.6 (S3.19) durante el uso de esta herramienta. Bajo algunas condiciones y duraciones de uso, el ruido producido por este producto puede contribuir a la pérdida auditiva.



ATENCIÓN: Cuando no esté en uso, guarde la herramienta apoyada en un costado sobre una superficie estable, donde no interrumpa el paso o provoque una caída. Algunas herramientas se pueden colocar en posición vertical, pero pueden caer fácilmente.

GUARDE ESTAS INSTRUCCIONES PARA VOLVER A CONSULTAR EN EL FUTURO

COMPONENTES (FIG. A)



ADVERTENCIA: Nunca modifique la herramienta eléctrica, ni tampoco ninguna de sus piezas. Podría producir lesiones corporales o daños.

Consulte la Figura A al principio de este manual para obtener una lista completa de los componentes.

Uso Debido

Este trinquete neumático está diseñado para introducir, apretar y aflojar sujetadores roscados, generalmente tuercas y pernos, cuando están equipados con un casquillo adecuado. Siempre utilice barras de extensión, juntas universales y adaptadores de casquillo entre el adaptador de salida cuadrado del trinquete neumático y el adaptador cuadrado hembra del casquillo.

NO use la herramienta para ningún otro propósito que no sea el especificado sin consultar al fabricante o al proveedor autorizado del fabricante. Hacerlo puede ser peligroso.

Nunca use el trinquete neumático como un martillo para desalojar o enderezar los sujetadores trasroscados. Nunca intente modificar la herramienta para otros usos.

NO utilice la herramienta en condiciones de humedad o en presencia de líquidos o gases inflamables.

Este trinquete neumático es una herramienta eléctrica profesional.

NO permita que los niños toquen la herramienta. Si el operador no tiene experiencia operando esta herramienta, su uso deberá ser supervisado.

Glosario

CFM: Pies cúbicos por minuto.

PSI: Libras por pulgada cuadrada; una unidad de medida de presión.

L/s: Litros por segundo; Una unidad métrica de medición de entrega de aire.

SCFM: pies cúbicos estándar por minuto; unidad de medida de suministro de aire.

Bar: Una unidad métrica de medición de presión.

Certificación de código: Los productos que tienen una o más de las indicaciones siguientes: UL, CUL, ETL, CETL, han sido evaluados por los laboratorios de seguridad independientes certificados de OSHA y cumplen los estándares de seguridad de Underwriters Laboratories cuya aplicación corresponda.

RPM: Revoluciones por minuto; es una medida de la frecuencia de rotación.

NPT: Rosca de tubería nacional (del inglés, National Pipe Thread) (rosca cónica); es un estándar de EE. UU. para roscas cónicas utilizadas en caños y accesorios roscados.

ID: Diámetro interno

Datos Técnicos

| | MPF59025 |
|------------------------------------|--------------------|
| Accionador cuadrado | 1/4" o 3/8" |
| Torsión máxima (inversa) | 54 Nm (40 Ft. lbs) |
| Velocidad libre a 6,2 Bar (90 PSI) | 300 rpm |

MPF59025

| | | |
|--|-------------------|-------------------|
| Peso neto | 0,66 kg (1,5 lbs) | |
| Tipo de escape | Atrás | |
| Promedio de consumo de aire velocidad libre | 12 L/s (25 SCFM) | 1,7 L/s (3,6 CFM) |
| Promedio de consumo de aire con carga | 12 L/s (25 SCFM) | 1,7 L/s (3,6 CFM) |
| Tamaño de la entrada de aire | 1/4" NPT(F) | |
| Tamaño recomendado de la manguera | 10 mm (3/8") | |
| Presión máxima de aire | 6,2 Bar (90 PSI) | |
| Valeurs acoustiques et valeurs vibratoires (somme vectorielle triax) selon EN ISO 11148-6. | | |
| L _{PA} (niveau d'émission de pression acoustique) | dB(A) | 96 |
| L _{WA} (niveau de puissance acoustique) | dB(A) | 107 |
| K (incertitude pour le niveau acoustique donné) | dB(A) | 3 |
| Valeur d'émission de vibration a _{h1} = | m/s ² | 3,9 |
| Incertitude K = | m/s ² | 1,5 |

Estaciones de Trabajo

Su llave de impacto debe ser utilizada solo como una herramienta manual. Se recomienda que utilice la herramienta cuando esté parado de manera firme y equilibrada. Se puede utilizar en otras posiciones pero antes de darle tal uso, el operador debe estar en una posición segura y tener buen equilibrio y agarre firme, y tener siempre presente que al aflojar sujetadores la herramienta puede moverse rápidamente fuera del sujetador que se está aflojando. Se debe permitir siempre una tolerancia para este movimiento hacia atrás para evitar que la mano, el brazo o el cuerpo quedan atrapados.

Características

Interruptor de Avance/Retroceso (Fig. A)

El interruptor de avance/retroceso **5** permite que la herramienta funcione con una dirección de marcha de avance o retroceso para un funcionamiento más simple y robusto.

Casquillo Cuadrado de 1/4" y 3/8" (Fig. A)

El adaptador cuadrado de 1/4" y 3/8" **1** permite la conexión de casquillos de adaptador de 1/4" y 3/8".

Cabeza Sellada (Fig. A)

El diseño de cabeza sellada **6** evita la separación del yugo bajo aplicación de par pesado.

Manija de Agarre de Hule (Fig. A)

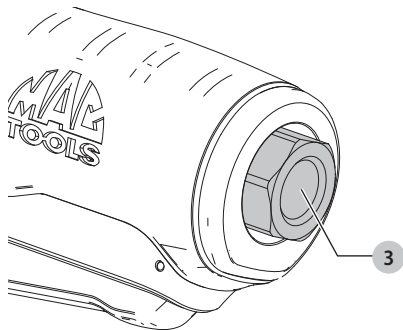
Esta herramienta neumática tiene una manija de agarre de hule **4** hecha de elastómero termoplástico moldeado (TPE) diseñada para mejorar la comodidad, reducir el deslizamiento y mejorar el control de la herramienta.

Gatillo de Velocidad Variable (Fig. A)

El gatillo de velocidad variable 2 le permite al operador controlar el inicio y el paro de la herramienta neumática.

Entrada de 1/4" (Fig. B)

La entrada de 1/4" de la herramienta 3 ubicada en la parte inferior de la manija se utiliza para conectar un suministro de aire con una rosca estándar de 1/4" NPT estadounidense. Fig. B



MONTAJE Y AJUSTES



ADVERTENCIA: Para reducir el riesgo de lesiones personales, apague la unidad y retire el suministro de aire antes de realizar cualquier ajuste o retirar/instalar conexiones o accesorios. Un arranque accidental podría causar lesiones.

Colocación y Desinstalación de Yunques de Adaptador Cuadrado (Fig. A)

Su herramienta se suministra con dos yunques, un yunque de adaptador cuadrado de 1/4" 7 y un yunque de adaptador cuadrado de 3/8" 8, adecuado para usar con los casquillos de tamaño correspondiente. Para instalar un yunque, simplemente empujelo en el adaptador cuadrado 1 hasta que escuche un "click". El yunque se puede instalar en la parte delantera o posterior de la cabeza para permitirle una mayor versatilidad para que la herramienta se pueda colocar en espacios reducidos de manera más cómoda.

Para quitar el yunque del trinquete neumático, presione el botón en la parte posterior del yunque y deslice la unidad hacia afuera.

Suministro de Aire (Fig. C)

La conexión recomendada se muestra en la Figura C. Las herramientas neumáticas operan sobre un amplio margen de depresiones de aire. Para obtener la máxima eficiencia y mayor vida útil de la herramienta, la presión del aire suministrado a estas herramientas NO debe exceder la PSI de servicio especificada en la herramienta durante su funcionamiento. El uso de una presión más alta de la capacidad nominal de la herramienta causará un desgaste más rápido reduciendo drásticamente la vida de la herramienta. Una presión de aire más alta también causará una condición insegura y una explosión.

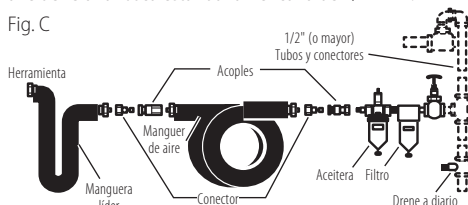
El diámetro interior de la manguera deberá ser aumentado para compensar por una manguera inusualmente larga

(más de 7,6 m o sea 25 pies). El diámetro mínimo de lamanguera deberá ser de 10 mm (3/8") de D. I. y los conectores deben tener el mismo diámetro interno.

El uso de lubricadores de manguera de aire y de filtros de aire en línea es recomendado para evitar que agua en la manguera dañe la herramienta. Drene diariamente el tanque de aire.

Limpie el cedazo del filtro de entrada de aire por lo menos una vez por semana para remover la mugre acumulada u otras cosas que puedan restringir el flujo de aire. La entrada de aire de la herramienta usada para conectar una fuente de aire tiene una rosca estándar americana de 1/4" NPT.

Fig. C



OPERACIÓN



ADVERTENCIA: Para reducir el riesgo de lesiones personales, apague la unidad y retire el suministro de aire antes de realizar cualquier ajuste o retirar/instalar conexiones o accesorios. Un arranque accidental podría causar lesiones.

Posición Adecuada de las Manos (Fig. D)



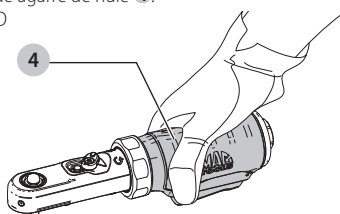
ADVERTENCIA: Para reducir el riesgo de lesión personal grave, tenga SIEMPRE las manos en una posición adecuada como se muestra.



ADVERTENCIA: Para reducir el riesgo de lesión personal grave, sujete SIEMPRE bien en caso de que haya una reacción repentina.

La posición correcta de la mano requiere una mano en la manija de agarre de hule 4.

Fig. D



Preparación de la Herramienta Neumática



ADVERTENCIA: Riesgo de operación insegura. Sostenga la manguera firmemente con las manos al instalarla o desconectarla para evitar la desconexión repentina de la manguera.



ADVERTENCIA: Riesgo de rotura. Una presión de aire excesiva puede causar un riesgo de estallido peligroso. Controle el valor nominal máximo de presión del fabricante para las herramientas y los accesorios neumáticos. La presión de salida del regulador nunca debe exceder la presión de servicio máxima. el valor máximo de presión.

ESPAÑOL

- Drene el agua del tanque del compresor de aire y la condensación de las mangueras de aire. (Por favor consulte el manual de operación del compresor).
- Lubrique la herramienta. Consulte la sección **Mantenimiento** en el manual).
- Conecte el trinquete neumático a la fuente de aire con la manguera de tamaño recomendado.

Procedimientos de Operación

Suministro de Aire (Fig. C)



ATENCIÓN: Esta herramienta neumática requiere lubricación ANTES del uso inicial, también antes y después de cada uso adicional.



ADVERTENCIA: Utilice un suministro de aire limpio y lubricado que proporcionará una presión de aire medida en la herramienta de 6,2 Bar/90 PSI cuando la herramienta esté funcionando con el gatillo completamente presionado.

Use el tamaño de manguera recomendado. Se recomienda que la herramienta esté conectada al suministro de aire como se muestra en la Figura C.

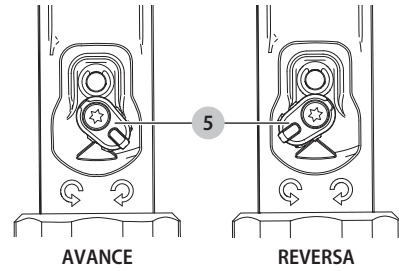
No conecte la herramienta al sistema de línea de aire sin incorporar una válvula de cierre de aire de fácil acceso y operación. El suministro de aire debe estar lubricado. Se recomienda firmemente que se use un filtro de aire, regulador, lubricador (FRL) como se muestra en la Figura C, ya que esto suministrará aire limpio y lubricado a la presión correcta de la herramienta. Los detalles de dichos equipos se pueden obtener de su proveedor. Si no se utiliza dicho equipo, la herramienta debe lubricarse apagando el suministro de aire a la herramienta y después despresurizando la línea presionando el gatillo en la herramienta. Desconecte la línea de aire y vierta en la entrada de aire 1 cucharadita de un aceite lubricante de motor neumático adecuado, preferiblemente con un inhibidor de óxido. Vuelva a conectar la herramienta al suministro de aire y opere la herramienta lentamente durante unos segundos para permitir que el aire circule el aceite.

Lubrique la herramienta diariamente si se usa con frecuencia, o cuando comienza a disminuir o perder potencia.

Arranque (Fig. A, E)

1. Encienda el compresor de aire y deje que el tanque de aire se llene.
2. Ajuste el regulador del compresor de aire a 6,2 Bar (90 PSI). Esta herramienta neumática funciona a una presión de aire máxima de 6,2 Bar (90 PSI).
3. Ajuste el interruptor de avance/reversa **5** a la posición de avance o reversa.

Fig. E



4. Presione el gatillo de velocidad variable **2** para comenzar a operar la herramienta.

Paro (Fig. A)

1. Suelte el gatillo de velocidad variable **2** para detener la herramienta.
2. Al cambiar los casquillos, siempre desconecte el suministro de aire para evitar lesiones.
3. Cuando finalice el trabajo, apague el compresor de aire y almacene la herramienta neumática después de la lubricación.

Instrucciones de Operación (Fig. A)

1. Ajuste firmemente el casquillo o el accesorio al trinquete neumático.
2. Asegúrese que el interruptor de avance/reversa **5** esté en la posición correcta para apretar o aflojar el sujetador.
3. La tuerca/perno entonces puede correr hacia abajo de la rosca usando la unidad de potencia de la herramienta. Para aflojar una junta, la herramienta se puede utilizar en la secuencia inversa.

MANTENIMIENTO



ADVERTENCIA: Para reducir el riesgo de lesiones personales, apague la unidad y retire el suministro de aire antes de realizar cualquier ajuste o retirar/installar conexiones o accesorios. Un arranque accidental podría causar lesiones..

Lubricación

Las herramientas neumáticas requieren lubricación durante toda la vida útil de las herramientas.

El motor neumático y el cojinete utilizan aire comprimido para energizar la herramienta. El aire comprimido contiene humedad que oxida el motor neumático y otras partes en el costado de las herramientas, por lo que se requiere lubricación diariamente. Si no lubrica correctamente la herramienta neumática, se acortará drásticamente la vida útil de la herramienta y se anulará la garantía




ATENCIÓN: Esta herramienta neumática requiere lubricación ANTES del uso inicial, también antes y después de cada uso adicional.


Para lubricar la Herramienta Neumática Manualmente

1. Retire cualquier accesorio en la unidad de herramientas neumáticas, como: casquillos, cinceles, etc.

- Desconecte la herramienta de la fuente de suministro de aire, coloque la entrada de aire hacia arriba.
- Presione el gatillo y coloque aproximadamente 1 cucharadita de aceite de la herramienta de aire en la entrada de aire. (Presionar el gatillo ayudará a que circule aceite en el motor).

NOTA: Use aceite de peso SAE #10 si el aceite para herramientas neumáticas no está disponible.

 **ADVERTENCIA:** Mantenga lejos del alcance de los niños. Si se toma internamente, no induzca el vómito, llame a un médico de inmediato.

 **ADVERTENCIA:** Cualquier exceso de aceite en el motor se expulsa inmediatamente del orificio de escape. Dirija siempre el orificio de escape lejos de personas u objetos.


- Conecte la herramienta a una fuente de aire, cubra el extremo del escape con una toalla y opere durante unos 20 a 30 segundos.
- Después de cada 48 horas u de la operación, o como lo indique la experiencia, inyecte aproximadamente 1 cucharadita de grasa neumática aprobada en el accesorio de grasa.


Almacenamiento

La herramienta neumática debe lubricarse antes de guardarla.


Siga los pasos 1–3 en **Para lubricar la herramienta neumática manualmente.**

Limpieza

 **ADVERTENCIA:** Sople la suciedad y el polvo de todos los conductos de ventilación con aire seco, al menos una vez por semana. Para reducir el riesgo de lesiones, utilice siempre protección para los ojos aprobada ANSI Z87.1 al realizar esta tarea.

 **ADVERTENCIA:** Nunca utilice solventes ni otros químicos abrasivos para limpiar las piezas no metálicas de la herramienta. Estos productos químicos pueden debilitar los materiales plásticos utilizados en estas piezas. Utilice un paño humedecido sólo con agua y jabón neutro. Nunca permita que penetre líquido dentro de la herramienta ni sumerja ninguna de las piezas en un líquido.

Accesorios

 **ADVERTENCIA:** Debido a que no se han probado con este producto otros accesorios que no sean los que ofrece Mac Tools, el uso de dichos accesorios con esta herramienta podría ser peligroso. Para reducir el riesgo de lesiones, con este producto deben usarse sólo los accesorios recomendados por Mac Tools.

Los accesorios que se recomiendan para utilizar con la herramienta están disponibles a un costo adicional en su distribuidor local o en un centro de mantenimiento autorizado. Si necesita ayuda para localizar algún accesorio, póngase en contacto con Mac Tools, 505 North Cleveland Ave., Westerville, Ohio 43082, call 1-800-MAC-TOOLS (1-800-622-8665) or visit our website www.mactools.com.


Servicio al cliente en el Reino Unido:

Mac Tools UK, Europa Court, Sheffield Business Park, Sheffield, Inglaterra S9 1XE

Tel: +44 (0) 1142 917266 Fax: +44 (0) 1142 917131

Correo electrónico: customerservices@mactools.co.uk

Reparaciones

 **ADVERTENCIA:** Para asegurar la **SEGURIDAD** y la **CONFIABILIDAD** del producto, las reparaciones, el mantenimiento y los ajustes (inclusive la inspección y el cambio de las escobillas, cuando proceda) deben ser realizados en un centro de mantenimiento en la fábrica Mac Tools u en un centro de mantenimiento autorizado Mac Tools. Utilice siempre piezas de repuesto idénticas.

Para reparación y servicio de sus herramientas eléctricas, favor de dirigirse al Centro de Servicio más cercano

CULIACAN, SIN

Bldv. Emiliano Zapata 5400-1 Poniente Col. (667) 717 89 99
San Rafael

GUADALAJARA, JAL

Av. La Paz #1779 - Col. Americana Sector (33) 3825 6978
Juárez

MEXICO, D.F.

Eje Central Lázaro Cárdenas No. 18 - Local (55) 5588 9377
D, Col. Obrera

MERIDA, YUC

Calle 63 #459-A - Col. Centro (999) 928 5038

MONTERREY, N.L.

Av. Francisco I. Madero 831 Poniente - Col. (818) 375 23 13
Centro

PUEBLA, PUE

17 Norte #205 - Col. Centro (222) 246 3714

QUERETARO, QRO

Av. San Roque 274 - Col. San Gregorio (442) 2 17 63 14

SAN LUIS POTOSI, SLP

Av. Universidad 1525 - Col. San Luis (444) 814 2383

TORREON, COAH

Bldv. Independencia, 96 Pte. - Col. Centro (871) 716 5265

VERACRUZ, VER

Prolongación Díaz Mirón #4280 - Col. (229) 921 7016
Remes

VILLAHERMOSA, TAB

Constitución 516-A - Col. Centro (993) 312 5111

PARA OTRAS LOCALIDADES:

**Si se encuentra en México, por favor llame al
(55) 5326 7100**

**Si se encuentra en U.S., por favor llame al
1-800-MAC-TOOLS (1-800-622-8665)**

ESPAÑOL

Póliza de Garantía

IDENTIFICACIÓN DEL PRODUCTO:

Sello o firma del Distribuidor.

Nombre del producto: _____

Mod./Cat.: _____

Marca: _____

Núm. de serie: _____

(Datos para ser llenados por el distribuidor)

Fecha de compra y/o entrega del producto:

Nombre y domicilio del distribuidor donde se adquirió el producto:

Este producto está garantizado por un año a partir de la fecha de entrega, contra cualquier defecto en su funcionamiento, así como en materiales y mano de obra empleados para su fabricación. Nuestra garantía incluye la reparación o reposición del producto y/o componentes sin cargo alguno para el cliente, incluyendo mano de obra, así como los gastos de transportación razonablemente erogados derivados del cumplimiento de este certificado. Para hacer efectiva esta garantía deberá presentar su herramienta y esta póliza sellada por el establecimiento comercial donde se adquirió el producto, de no contar con ésta, bastará la factura de compra.

Excepciones

Esta garantía no será válida en los siguientes casos:

- Cuando el producto se hubiese utilizado en condiciones distintas a las normales;
- Cuando el producto no hubiese sido operado de acuerdo con el instructivo de uso que se acompaña;
- Cuando el producto hubiese sido alterado o reparado por personas distintas a las enlistadas al final de este certificado.

Anexo encontrará una relación de sucursales de servicio de fábrica, centros de servicio autorizados y franquiciados en la República Mexicana, donde podrá hacer efectiva su garantía y adquirir partes, refacciones y accesorios originales.

Registro en Línea

Gracias por su compra. Registre su producto ahora para:

- **SERVICIO EN GARANTÍA:** Si completa esta tarjeta, podrá obtener un servicio en garantía más eficiente, en caso de que exista un problema con su producto.
- **CONFIRMACIÓN DE PROPIEDAD:** En caso de una pérdida que cubra el seguro, como un incendio, una inundación o un robo, el registro de propiedad servirá como comprobante de compra.
- **PARA SU SEGURIDAD:** Si registra el producto, podremos comunicarnos con usted en el caso improbable que se deba enviar una notificación de seguridad conforme a la Federal Consumer Safety Act (Ley Federal de Seguridad de Productos para el Consumidor).

Registro en línea en www.mactools.com.

Garantía limitada de Dos Años

Mac Tools reparará, sin cargo, cualquier defecto debido a materiales defectuosos o mano de obra durante dos años a partir de la fecha de compra. Esta garantía no cubre fallas de las piezas causadas por su desgaste normal o abuso a la herramienta. Para mayores detalles sobre la cobertura de la garantía e información acerca de reparaciones realizadas bajo garantía, visítenos en www.mactools.com o diríjase al centro de servicio más cercano. Esta garantía no aplica a accesorios o a daños causados por reparaciones realizadas o intentadas por terceros. ESTA GARANTÍA LIMITADA SE OTORGA EN VEZ DE TODAS LAS DEMÁS, INCLUIDA LA GARANTÍA IMPLÍCITA DE COMERCIABILIDAD Y APTITUD PARA UN FIN PARTICULAR, Y EXCLUYE TODOS LOS DAÑOS INCIDENTALES O CONSECUENTES. Algunos estados no permiten limitaciones sobre la duración de una garantía implícita, o la exclusión o limitación de daños incidentales o consecuentes, así que estas limitaciones pueden no aplicarse a usted. Esta garantía le otorga derechos legales específicos, además de los cuales usted puede tener otros derechos dependiendo del estado o la provincia en que se encuentre.

AMÉRICA LATINA: Esta garantía no se aplica a los productos que se venden en América Latina. Para los productos que se venden en América Latina, debe consultar la información de la garantía específica del país que viene en el empaque, llamar a la compañía local o visitar el sitio Web a fin de obtener esa información.

REEMPLAZO GRATUITO DE LAS ETIQUETAS DE

ADVERTENCIAS: Si sus etiquetas de advertencia se vuelven ilegibles o faltan, llame al 1-800-MAC-TOOLS (1-800-622-8665) para que se le reemplacen gratuitamente.

Solamente para propósito de México:

Importado por: Mac Tools Industrial Tool Co. S.A. de C.V.
Avenida Antonio Dovali Jaime, # 70 Torre B Piso 9
Colonia La Fe, Santa Fé
Código Postal : 01210
Delegación Alvaro Obregón
México D.F.
Tel. (52) 555-326-7100
R.F.C.: BDE810626-1W7

Declaración de Conformidad CE

Directriz de la Maquinaria



Trinquete Neumático Compacto de 1/4" a 3/8"

MPF59025

Mac Tools declara que los productos descritos bajo **Datos**

Técnicos son conformes a las normas:

EN ISO11148-6:2012.

El que suscribe es responsable de la compilación del archivo técnico y realiza esta declaración en representación de Mac Tools.

A handwritten signature in black ink, appearing to read 'M. Rompel', is written over a light blue horizontal line.

Markus Rompel

Vicepresidente de Ingeniería, PTE-Europa

Mac Tools UK, Europa Court, Sheffield Business Park,

Sheffield, England S9 1XE

22.10.2018





