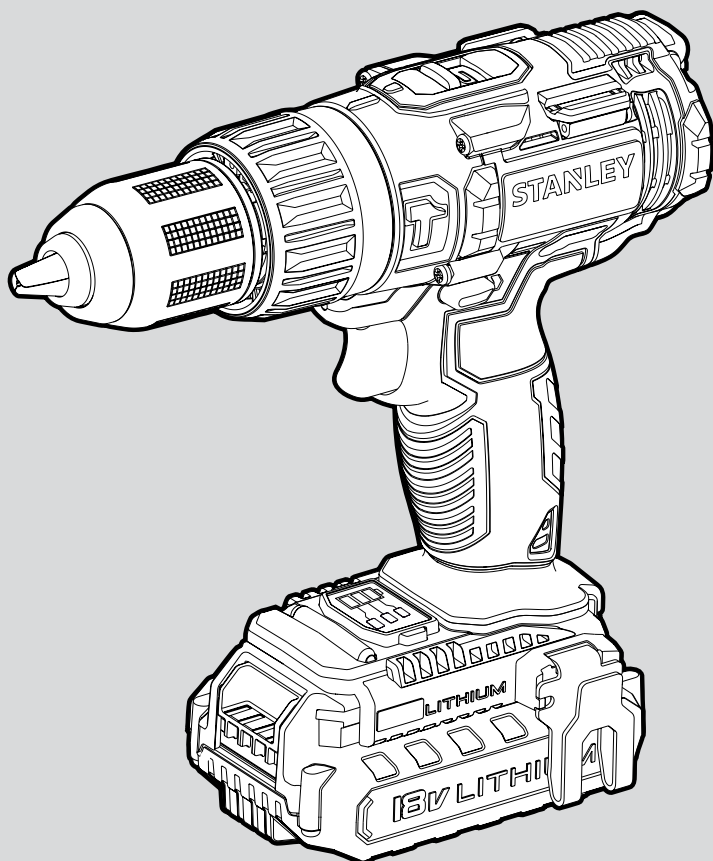
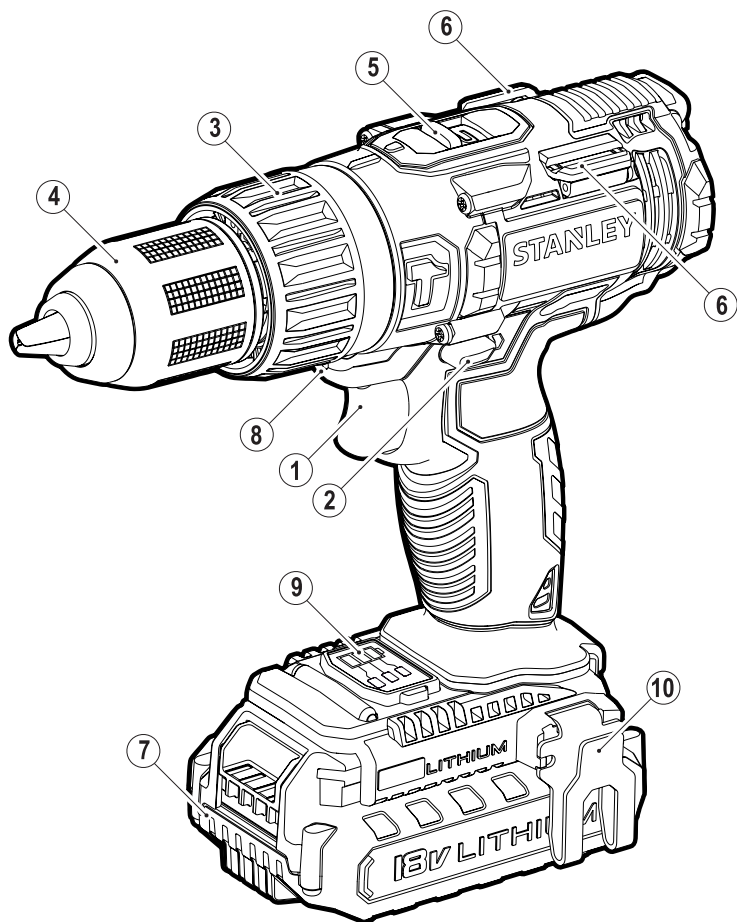


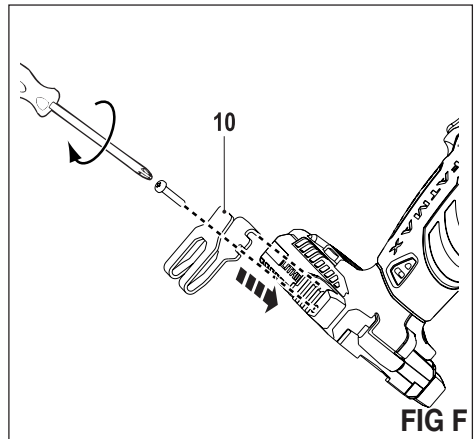
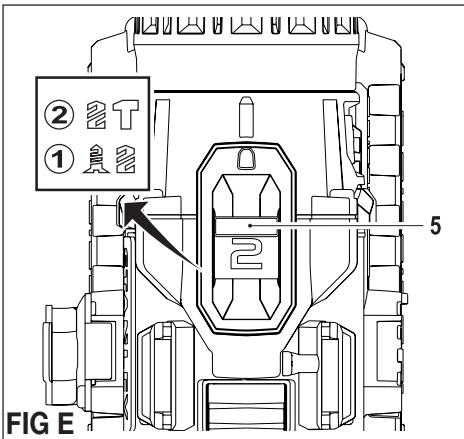
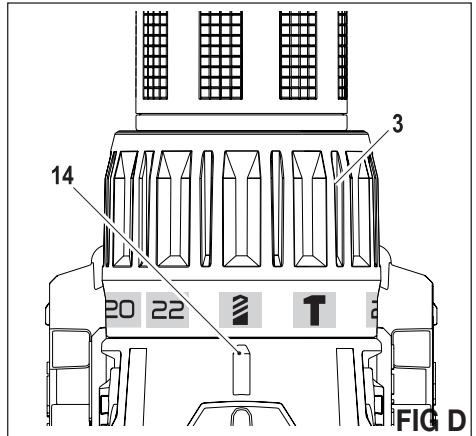
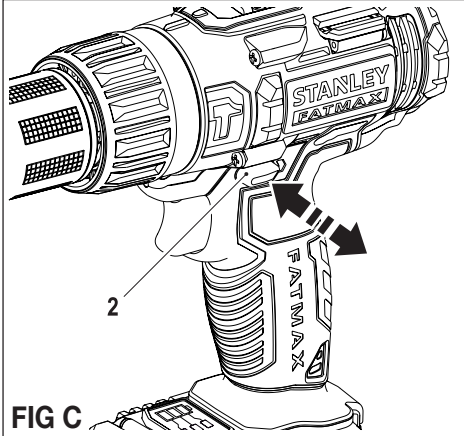
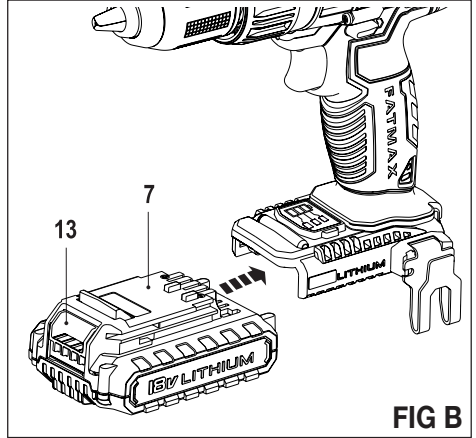
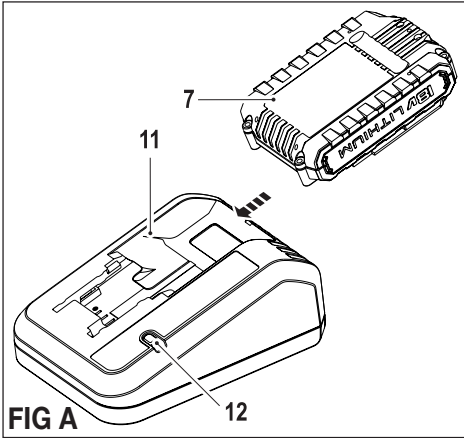
STANLEY



STDC18LHBK

English	Page 4
Turkish	Page 11
Russian	Page 19
Ukrainian	Page 28





Intended use

Your STANLEY drill/screwdriver has been designed for screwdriving applications and for drilling in wood, metal, plastics and soft masonry.

Safety instructions

General power tool safety warnings



Warning! Read all safety warnings and all instructions. Failure to follow the warnings and instructions listed below may result in electric shock, fire and/or serious injury.

Save all warnings and instructions for future reference.

The term "power tool" in all of the warnings listed below refers to your mains operated (corded) power tool or battery operated (cordless) power tool.

1. Work area safety

- a. **Keep work area clean and well lit.** Cluttered or dark areas invite accidents.
- b. **Do not operate power tools in explosive atmospheres, such as in the presence of flammable liquids, gases or dust.** Power tools create sparks which may ignite the dust or fumes.
- c. **Keep children and bystanders away while operating a power tool.** Distractions can cause you to lose control.

2. Electrical safety

- a. **Power tool plugs must match the outlet. Never modify the plug in any way. Do not use any adapter plugs with earthed (grounded) power tools.** Unmodified plugs and matching outlets will reduce risk of electric shock.
- b. **Avoid body contact with earthed or grounded surfaces such as pipes, radiators, ranges and refrigerators.** There is an increased risk of electric shock if your body is earthed or grounded.
- c. **Do not expose power tools to rain or wet conditions.** Water entering a power tool will increase the risk of electric shock.
- d. **Do not abuse the cord. Never use the cord for carrying, pulling or unplugging the power tool. Keep cord away from heat, oil, sharp edges or moving parts.** Damaged or entangled cords increase the risk of electric shock.
- e. **When operating a power tool outdoors, use an extension cord suitable for outdoor use.** Use of a

cord suitable for outdoor use reduces the risk of electric shock.

- f. **If operating a power tool in a damp location is unavoidable, use a residual current device (RCD) protected supply.** Use of an RCD reduces the risk of electric shock.
- #### 3. Personal safety
- a. **Stay alert, watch what you are doing and use common sense when operating a power tool. Do not use a power tool while you are tired or under the influence of drugs, alcohol or medication.** A moment of inattention while operating power tools may result in serious personal injury.
 - b. **Use personal protective equipment. Always wear eye protection.** Protective equipment such as dust mask, non-skid safety shoes, hard hat, or hearing protection used for appropriate conditions will reduce personal injuries.
 - c. **Prevent unintentional starting. Ensure the switch is in the off-position before connecting to power source and/or battery pack, picking up or carrying the tool.** Carrying power tools with your finger on the switch or energising power tools that have the switch on invites accidents.
 - d. **Remove any adjusting key or wrench before turning the power tool on.** A wrench or a key left attached to a rotating part of the power tool may result in personal injury.
 - e. **Do not overreach. Keep proper footing and balance at all times.** This enables better control of the power tool in unexpected situations.
 - f. **Dress properly. Do not wear loose clothing or jewellery. Keep your hair, clothing and gloves away from moving parts.** Loose clothes, jewellery or long hair can be caught in moving parts.
 - g. **If devices are provided for the connection of dust extraction and collection facilities, ensure these are connected and properly used.** Use of dust collection can reduce dust-related hazards.
- #### 4. Power tool use and care
- a. **Do not force the power tool. Use the correct power tool for your application.** The correct power tool will do the job better and safer at the rate for which it was designed.
 - b. **Do not use the power tool if the switch does not turn it on and off.** Any power tool that cannot be controlled with the switch is dangerous and must be repaired.

- c. **Disconnect the plug from the power source and/or the battery pack from the power tool before making any adjustments, changing accessories, or storing power tools.** Such preventive safety measures reduce the risk of starting the power tool accidentally.
- d. **Store idle power tools out of the reach of children and do not allow persons unfamiliar with the power tool or these instructions to operate the power tool.** Power tools are dangerous in the hands of untrained users.
- e. **Maintain power tools. Check for misalignment or binding of moving parts, breakage of parts and any other condition that may affect the power tools operation. If damaged, have the power tool repaired before use.** Many accidents are caused by poorly maintained power tools.
- f. **Keep cutting tools sharp and clean.** Properly maintained cutting tools with sharp cutting edges are less likely to bind and are easier to control.
- g. **Use the power tool, accessories and tool bits etc. in accordance with these instructions, taking into account the working conditions and the work to be performed.** Use of the power tool for operations different from those intended could result in a hazardous situation.
5. **Battery tool use and care**
- a. **Recharge only with the charger specified by the manufacturer.** A charger that is suitable for one type of battery pack may create a risk of fire when used with another battery pack.
- b. **Use power tools only with specifically designated battery packs.** Use of any other battery packs may create a risk of injury and fire.
- c. **When battery pack is not in use, keep it away from other metal objects, like paper clips, coins, keys, nails, screws, or other small metal objects, that can make a connection from one terminal to another.** Shorting the battery terminals together may cause burns or a fire.
- d. **Under abusive conditions, liquid may be ejected from the battery; avoid contact. If contact accidentally occurs, flush with water. If liquid contacts eyes, additionally seek medical help.** Liquid ejected from the battery may cause irritation or burns.
6. **Service**
- a. **Have your power tool serviced by a qualified repair person using only identical replacement parts.** This will ensure that the safety of the power tool is maintained.

Additional power tool safety warnings



Warning! Additional safety warnings for drills and impact drills.

- **Wear ear protectors with percussion drills.** Exposure to noise can cause hearing loss.
- **Use auxiliary handles supplied with the tool.** Loss of control can cause personal injury.
- **Hold power tool by insulated gripping surfaces when performing an operation where the cutting accessory may contact hidden wiring or its own cord.** Cutting accessory contacting a "live" wire may make exposed metal parts of the power tool "live" and could give the operator an electric shock.
- **Hold power tool by insulated gripping surfaces when performing an operation where the fastener may contact hidden wiring.** Fasteners contacting a "live" wire may make exposed metal parts of the power tool "live" and could give the operator an electric shock
- **Use clamps or another practical way to secure and support the workpiece to a stable platform.** Holding the work by hand or against your body leaves it unstable and may lead to loss of control.
- Before drilling into walls, floors or ceilings, check for the location of wiring and pipes.
- Avoid touching the tip of a drill bit just after drilling, as it may be hot.
- This tool is not intended for use by persons (including children) with reduced physical, sensory or mental capabilities, or lack of experience and knowledge, unless they have been given supervision or instruction concerning use of the appliance by a person responsible for their safety. Children should be supervised to ensure that they do not play with the appliance.
- The intended use is described in this instruction manual. The use of any accessory or attachment or performance of any operation with this tool other than those recommended in this instruction manual may present a risk of personal injury and/or damage to property.

Residual risks

Additional residual risks may arise when using the tool which may not be included in the enclosed safety warnings. These risks can arise from misuse, prolonged use etc.

Even with the application of the relevant safety regulations and the implementation of safety devices, certain residual risks can not be avoided. These include:

- Injuries caused by touching any rotating/moving parts.
- Injuries caused when changing any parts, blades or accessories.

ENGLISH (Original instructions)

- Injuries caused by prolonged use of a tool. When using any tool for prolonged periods ensure you take regular breaks.
- Impairment of hearing.
- Health hazards caused by breathing dust developed when using your tool (example:- working with wood, especially oak, beech and MDF.)

Vibration

The declared vibration emission values stated in the technical data and the declaration of conformity have been measured in accordance with a standard test method provided by EN 60745 and may be used for comparing one tool with another. The declared vibration emission value may also be used in a preliminary assessment of exposure.

Warning! The vibration emission value during actual use of the power tool can differ from the declared value depending on the ways in which the tool is used. The vibration level may increase above the level stated.

When assessing vibration exposure to determine safety measures required by 2002/44/EC to protect persons regularly using power tools in employment, an estimation of vibration exposure should consider, the actual conditions of use and the way the tool is used, including taking account of all parts of the operating cycle such as the times when the tool is switched off and when it is running idle in addition to the trigger time.

Labels on tool

The following pictograms are shown on the tool:



Warning! To reduce the risk of injury, the user must read the instruction manual.

Position of date barcode

The Date Code, which also includes the year of manufacture, is printed into the housing.

Example:

2014 XX JN
Year of manufacturing

Additional safety instructions for batteries and chargers

Batteries

- Never attempt to open for any reason.
- Do not expose the battery to water.
- Do not store in locations where the temperature may exceed 40 °C.

- Charge only at ambient temperatures between 10 °C and 40 °C.
- Charge only using the charger provided with the tool.
- When disposing of batteries, follow the instructions given in the section "Protecting the environment".



Do not attempt to charge damaged batteries.

Chargers

- Use your charger only to charge the battery in the tool with which it was supplied. Other batteries could burst, causing personal injury and damage.
- Never attempt to charge non-rechargeable batteries.
- Have defective cords replaced immediately.
- Do not expose the charger to water.
- Do not open the charger.
- Do not probe the charger.



The charger is intended for indoor use only.



Read the instruction manual before use.



The charger automatically shuts off if the ambient temperature becomes too high. The thermal cut out operates only once and then requires complete replacement.

Electrical safety



Your charger is double insulated; therefore no earth wire is required. Always check that the mains voltage corresponds to the voltage on the rating plate. Never attempt to replace the charger unit with a regular mains plug.

- If the supply cord is damaged, it must be replaced by the manufacturer or an authorised STANLEY Service Centre in order to avoid a hazard.

Features

This tool includes some or all of the following features.

1. Variable speed switch
2. Forward/reverse slider
3. Mode selector / torque adjustment collar
4. Chuck
5. Speed selector
6. Bit holder
7. Battery
8. LED work light
9. State of charge indicator
10. Belt clip

FIG. A

11. Charger
12. Charge indicator

Assembly

Warning! Before assembly, remove the battery from the tool.

Fitting and removing the battery (FIG. B)

- To fit the battery (7), line it up with the receptacle on the tool. Slide the battery into the receptacle and push until the battery snaps into place.
- To remove the battery, push the release button (13) while at the same time pulling the battery out of the receptacle.

Fitting and removing a drill bit or screwdriver bit

This tool is fitted with a keyless chuck to allow for an easy exchange of bits.

- Lock the tool by setting the forward/reverse slider (2) to the centre position.
- Open the chuck by turning it (4) with one hand while holding the tool with the other.
- Insert the bit shaft into the chuck.
- Firmly tighten the chuck by turning it (4) with one hand while holding the tool with the other.

This tool is supplied with a double-ended screwdriver bit in the bit holder (6).

- To remove the screwdriver bit from the bit holder, lift the bit from the recess.
- To store the screwdriver bit, firmly push it into the holder.

Use

Warning! Let the tool work at its own pace. Do not overload.

Warning! Before drilling into walls, floors or ceilings, check for the location of wiring and pipes.

Charging the battery (FIG.A)

The battery needs to be charged before first use and whenever it fails to produce sufficient power on jobs that were easily done before. The battery may become warm while charging; this is normal and does not indicate a problem.

Warning! Do not charge the battery at ambient temperatures below 10 °C or above 40 °C. Recommended charging temperature: approx. 24 °C.

Note: The charger will not charge a battery if the cell temperature is below approximately 0 °C or above 40 °C. The battery should be left in the charger and the charger will begin to charge automatically when the cell temperature warms up or cools down.

- To charge the battery (7), insert it into the charger (11).

The battery will only fit into the charger in one way. Do not force. Be sure that the battery is fully seated in the charger.

- Plug in the charger and switch on at the mains.

The charging indicator (12) will flash green (slowly).

The charge is complete when the charging indicator (12) lights green continuously. The charger and the battery can be left connected indefinitely with the LED illuminated. The LED will change to flashing green (charging) state as the charger occasionally tops up the battery charge. The charging indicator (12) will be lit as long as the battery is connected to the plugged-in charger.

- Charge discharged batteries within 1 week. Battery life will be greatly diminished if stored in a discharged state.

Leaving the battery in the charger

The charger and battery pack can be left connected with the LED glowing indefinitely. The charger will keep the battery pack fresh and fully charged.

Charger diagnostics

If the charger detects a weak or damaged battery, the charging indicator (12) will flash red at a fast rate. Proceed as follows:

- Re-insert the battery (7).
- If the charging indicators continues flashing red at a fast rate, use a different battery to determine if the charging process works properly.
- If the replaced battery charges correctly, the original battery is defective and should be returned to a service centre for recycling.
- If the new battery gives the same indication as the original battery, take the charger to be tested at an authorised services centre.

Note: It may take as long as 60 minutes to determine that the battery is defective. If the battery is too hot or too cold, the LED will alternately blink red, fast and slow, one flash at each speed and repeat.

Selecting the direction of rotation (FIG. C)

For drilling and for tightening screws, use forward (clockwise) rotation. For loosening screws or removing a jammed drill bit, use reverse (counterclockwise) rotation.

- To select forward rotation, push the forward/reverse slider (2) to the left.
- To select reverse rotation, push the forward/reverse slider to the right.
- To lock the tool, set the forward/reverse slider into the centre position

Selecting the operating mode or torque (FIG. D)

This tool is fitted with a collar to select the operating mode and to set the torque for tightening screws. Large screws and hard workpiece materials require a higher torque setting than small screws and soft workpiece materials. The collar has a wide range of settings to suit your application.

- For drilling in wood, metal and plastics, set the collar (3) to the drilling position by aligning the symbol with the marking (14).
- For screwdriving, set the collar to the desired setting. If you do not yet know the appropriate setting, proceed as follows:
 - Set the collar (3) to the lowest torque setting.
 - Tighten the first screw.
 - If the clutch ratchets before the desired result is achieved, increase the collar setting and continue tightening the screw. Repeat until you reach the correct setting. Use this setting for the remaining screws.

Drilling in masonry (FIG. D & E)

- For drilling in masonry, set the collar (3) to the hammer drilling position by aligning the symbol with the marking (14).
- Slide the speed selector (5) towards the front of the tool (2nd gear).

Speed selector (FIG. E)

- For drilling in steel and for screwdriving applications, slide the speed selector (5) towards the rear of the tool (1st gear).
- For drilling in materials other than steel, slide the speed selector (5) towards the front of the tool (2nd gear).

Drilling/screwdriving

- Select forward or reverse rotation using the forward/reverse slider (2).
- To switch the tool on, press the switch (1). The tool speed depends on how far you press the switch.
- To switch the tool off, release the switch.

LED work light

The LED work light (8) is activated automatically when the trigger is depressed. The LED work light will illuminate when the trigger is partially depressed, before the unit begins running.

State of charge indicator

The tool is fitted with a state of charge indicator. This can be used to display the current level of charge in the battery during use.

- Press the state of charge indicator button (9).

Hints for optimum use**Drilling**

- Always apply a light pressure in a straight line with the drill bit.
- Just before the drill tip breaks through the other side of the workpiece, decrease pressure on the tool.
- Use a block of wood to back up workpieces that may splinter.
- Use spade bits when drilling large diameter holes in wood.
- Use HSS drill bits when drilling in metal.
- Use masonry bits when drilling in soft masonry.
- Use a lubricant when drilling metals other than cast iron and brass.
- Make an indentation using a centre punch at the centre of the hole to be drilled in order to improve accuracy.

Screwdriving

- Always use the correct type and size of screwdriver bit.
- If screws are difficult to tighten, try applying a small amount of washing liquid or soap as a lubricant.
- Always hold the tool and screwdriver bit in a straight line with the screw.

Accessories

The performance of your tool depends on the accessory used. Stanley accessories are engineered to high quality standards and designed to enhance the performance of your tool. By using these accessories you will get the very best from your tool.

Maintenance

Your Stanley tool has been designed to operate over a long period of time with a minimum of maintenance. Continuous satisfactory operation depends upon proper tool care and regular cleaning. Your charger does not require any maintenance apart from regular cleaning.

Warning! Before performing any maintenance on the tool, remove the battery from the tool. Unplug the charger before cleaning it.

- Regularly clean the ventilation slots in your tool and charger using a soft brush or dry cloth.
- Regularly clean the motor housing using a damp cloth.
- Do not use any abrasive or solvent-based cleaner.
- Regularly open the chuck and tap it to remove any dust from the interior.

Protecting the environment



Separate collection. This product must not be disposed of with normal household waste.

Should you find one day that your STANLEY product needs replacement, or if it is of no further use to you, do not dispose of it with household waste. Make this product available for separate collection.



Separate collection of used products and packaging allows materials to be recycled and used again. Re-use of recycled materials helps prevent environmental pollution and reduces the demand for raw materials.

Local regulations may provide for separate collection of electrical products from the household, at municipal waste sites or by the retailer when you purchase a new product.

STANLEY provides a facility for the collection and recycling of STANLEY products once they have reached the end of their working life. To take advantage of this service please return your product to any authorised repair agent who will collect them on our behalf.

You can check the location of your nearest authorised repair agent by contacting your local STANLEY office at the address indicated in this manual. Alternatively, a list of authorised STANLEY repair agents and full details of our after-sales service and contacts are available on the Internet at: www.2helpU.com

Technical data

STDC18LHBK		
Voltage	V _{DC}	18
No-load speed	min ⁻¹	0-400/0-1600
Max. torque	Nm	51.4
Chuck capacity	mm	13
Max. Drilling Capacity		
Wood	mm	38
Steel	mm	13
Masonry	mm	13
Weight	kg	1.34
Charger		
Input Voltage	V _{AC}	230
Output Voltage	V _{DC}	18
Current	A	2
Approx. charge time	min	60-120
Battery		
Voltage	V _{DC}	18
Capacity	Ah	2
Type		Li-Ion

Level of sound pressure according to EN 60745:

Sound pressure (L_{pA}) 88.1 dB(A), uncertainty (K) 3 dB(A)

Sound power (L_{WA}) 99.1 dB(A), uncertainty (K) 3 dB(A)

Vibration total values (triax vector sum) according to EN 60745:

Impact drilling into concrete (a_{h, ID}) 13.1 m/s² uncertainty (K) 1.5 m/s²

Drilling into metal (a_{h, D}) < 2.5 m/s², uncertainty (K) 1.5 m/s²

Screwdriving without impact (a_{h, S}) < 2.5 m/s², uncertainty (K) 1.5 m/s²

EC declaration of conformity

MACHINERY DIRECTIVE



STDC18LHBK

Stanley Europe declares that these products described under "technical data" are in compliance with:
2006/42/EC, EN 60745-1, EN 60745-2-1

These products also comply with Directive
2014/30/EU and 2011/65/EU.

For more information, please contact
Stanley Europe at the following address or refer to the
back of the manual.

The undersigned is responsible for compilation of the technical
file and makes this declaration on behalf of Stanley Europe.

R.Laverick
Engineering Manager
STANLEY , Europe, Egide Walschaertsstraat14-18,
2800 Mechelen, Belgium
01.2015

Two year warranty

If your STANLEY product becomes defective due to faulty materials or workmanship within 24 months from the date of purchase, STANLEY guarantees to replace all defective parts free of charge or – at our discretion – replace the unit free of charge provided that:

- The product has not been misused and has been used in accordance with the instruction manual;
- The product has been subject to fair wear and tear;
- Repairs have not been attempted by unauthorized persons;
- Proof of purchase is produced.
- The STANLEY product is returned complete with all original components
- The product hasn't been used for hire purposes

If you wish to make a claim, contact your seller or check the location of your nearest authorised STANLEY repair agent in the STANLEY catalogue or contact your local STANLEY office at the address indicated in this manual. A list of authorised STANLEY repair agents and full details of our after sales service is available on the internet at:
www.stanleytools.com

Kullanım amacı

STANLEY matkap/tornavidanız vida takma/sökme uygulamaları ve ahşap, metal, plastik ve duvar delme işlemleri için tasarlanmıştır.

Güvenlik talimatları

Genel elektrikli alet güvenlik uyarıları



Uyarı! Bütün güvenlik uyarılarını ve talimatlarını mutlaka okuyun. Aşağıda yer alan uyarılar ve talimatların herhangi birisine

uyulmaması elektrik çarpması, yangın ve/veya ciddi yaralanma riskine neden olabilir.

Bütün uyarı ve güvenlik talimatlarını ileride bakmak üzere saklayın.

Uyarılarda yer alan «elektrikli alet» terimi şebeke elektriğiyle (kablolu) veya akü/pille (şarjlı) çalışan elektrikli aletinizi ifade etmektedir.

1. Çalışma alanının güvenliği

- Çalışma alanını temiz ve aydınlık tutun.** Karışık veya karanlık alanlar kazaya davetiye çıkarır.
- Elektrikli aletleri, yanıcı sıvılar, gazlar ve tozların bulunduğu yerler gibi yanıcı ortamlarda çalıştırmayın.** Elektrikli aletler, toz veya dumanları ateşleyebilecek kıvılcımlar çıkarır.
- Bir elektrikli aleti çalıştırırken çocuklardan ve etraftaki kişilerden uzak tutun.** Dikkatinizi dağıtıcı şeyler kontrolü kaybetmenize neden olabilir.

2. Elektrik güvenliği

- Elektrikli aletlerin fişleri prizlere uygun olmalıdır. Fiş üzerinde kesinlikle hiçbir değişiklik yapmayın. Topraklı elektrikli aletlerde hiçbir adaptör fişi kullanmayın.** Değiştirilmemiş fişler ve uygun prizler elektrik çarpması riskini azaltacaktır.
- Borular, radyatörler, ocaklar ve buzdolapları gibi topraklanmamış yüzeylerle vücut temasından kaçının.** Vücudunuzun topraklanması halinde yüksek bir elektrik çarpması riski vardır.
- Elektrikli aletleri yağmura maruz bırakmayın veya ıslatmayın.** Elektrikli alete su girmesi elektrik çarpması riskini arttıracaktır.
- Elektrik kablosunu uygun olmayan amaçlarla kullanmayın.** Elektrikli aleti kesinlikle kablosundan tutarak taşımayın, çekmeyin veya prizden çıkartmayın. Kabloyu sıcağın, yağdan, keskin kenarlardan veya hareketli parçalardan uzak tutun. Hasarlı veya dolaşmış kablolar elektrik çarpması riskini

arttırır.

- Elektrikli bir aleti açık havada çalıştırıyorsanız, açık havada kullanıma uygun bir uzatma kablosu kullanın.** Açık havada kullanıma uygun bir kablunun kullanılması elektrik çarpması riskini azaltır.
 - Eğer bir elektrikli aletin nemli bir bölgede çalıştırılması zorunluysa, bir artık akım aygıtı (RCD) korumalı bir kaynak kullanın.** Bir RCD kullanılması elektrik şoku riskini azaltır.
- #### 3. Kişisel güvenlik
- Elektrikli bir aleti kullanırken her zaman dikkatli olun, yaptığınız işe yoğunlaşın ve sağduyulu davranın.** Elektrikli bir aleti yorgunken veya ilaç ya da alkolün etkisi altındayken kullanmayın. Elektrikli aletleri kullanırken bir anlık dikkatsizlik ciddi kişisel yaralanmayla sonuçlanabilir.
 - Kişisel koruyucu ekipmanları mutlaka kullanın. Daima koruyucu gözlük takın.** Koşullara uygun toz maskesi, kaymayan güvenlik ayakkabıları, baret veya kulaklık gibi koruyucu donanımların kullanılması kişisel yaralanmaları azaltacaktır.
 - İstem dışı çalıştırılmasını önleyin. Aleti güç kaynağına ve/veya aküye bağlamadan, yerden kaldırmadan veya taşımadan önce düğmenin kapalı konumunda olduğundan emin olun.** Aleti, parmağınız düğme üzerinde bulunacak şekilde taşımak veya açık konumdaki elektrikli aletleri elektrik şebekesine bağlamak kazaya davetiye çıkarır.
 - Elektrikli aleti açmadan önce tüm ayarlama anahtarlarını çıkartın.** Elektrikli aletin hareketli bir parçasına takılı kalmış bir anahtar kişisel yaralanmaya neden olabilir.
 - Ulaşmakta zorlandığınız yerlerde kullanmayın. Daima sağlam ve dengeli basın.** Bu, beklenmedik durumlarda elektrikli aletin daha iyi kontrol edilmesine olanak tanır.
 - Uygun şekilde giyinin. Bol elbiseler giymeyin ve takı takmayın. Saçınızı, elbiselerinizi ve eldivenlerinizi hareketli parçalardan uzak tutun.** Bol elbiseler ve takılar veya uzun saç hareketli parçalara takılabilir.
 - Eğer kullandığınız üründe toz emme ve toplama özellikleri olan ataşmanlar varsa bunların bağlı olduğundan ve doğru şekilde kullanıldığında emin olun.** Bu toz toplama ataşmanların kullanılması tozla ilgili tehlikeleri azaltabilir.
- #### 4. Elektrikli aletlerin kullanımı ve bakımı
- Elektrikli aleti zorlamayın. Uygulamanız için doğru elektrikli aleti kullanın.** Doğru elektrikli alet, belirlendiği kapasite alanında kullanıldığında daha iyi ve güvenli çalışacaktır.

- b. **Düğme açmıyor ve kapatmıyorsa elektrikli aleti kullanmayın.** Düğmeyle kontrol edilemeyen tüm elektrikli aletler tehlikelidir ve tamir edilmesi gerekmektedir.
 - c. **Herhangi bir ayarlama, aksesuar değişimi veya elektrikli aletlerin saklanması öncesinde fişi güç kaynağından çekin ve/veya aküyü elektrikli aletten ayırın.** Bu tür önleyici güvenlik tedbirleri aletin istem dışı olarak çalıştırılması riskini azaltacaktır.
 - d. **Elektrikli aleti, çocukların ulaşamayacağı yerlerde saklayın ve elektrikli aleti tanımayan veya bu talimatları bilmeyen kişilerin elektrikli aleti kullanmasına izin vermeyin.** Elektrikli aletler, eğitimsiz kullanıcıların elinde tehlikelidir.
 - e. **Elektrikli aletleri iyi durumda muhafaza edin.** Hareketli parçalardaki hizalama hatalarını ve tutuklukları, parçalardaki kırılmalar ve elektrikli aletin çalışmasını etkileyebilecek tüm diğer koşulları kontrol edin. Hasarlı ise, elektrikli aleti kullanmadan önce tamir ettirin. Kazaların çoğu, elektrikli aletlerin bakımının yeterli şekilde yapılmamasından kaynaklanır.
 - f. **Kesim aletlerini keskin ve temiz tutun.** Bakımı uygun şekilde yapılmış keskin kesim uçlu kesim aletlerinin sıkışma ihtimali daha düşüktür ve kontrol edilmesi daha kolaydır.
 - g. **Elektrikli aleti, aksesuarlarını ve aletin diğer parçalarını kullanırken bu talimatlara mutlaka uyun ve çalışma ortamının koşullarını ve yapılacak işin ne olduğunu göz önünde bulundurun.** Elektrikli aletin öngörülen işlemler dışındaki işlemler için kullanılması tehlikeli durumlara neden olabilir.
5. **Akü/pille çalışan aletin kullanımı ve bakımı**
 - a. **Sadece üretici tarafından belirtilen şarj cihazı ile şarj edin.** Bir akü tipine uygun bir şarj cihazı başka tipte bir aküyü şarj etmek için kullanıldığında yangın riski yaratabilir.
 - b. **Elektrikli aletleri yalnızca özel olarak tanımlanmış akülerle kullanın.** Başka bir akünün kullanılması yaralanma veya yangın riskine yol açabilir.
 - c. **Akü kullanımında değilken, ataç, bozuk para, anahtar, çivi, vida veya terminaler arasında kontağa neden olabilecek diğer küçük metal nesnelere uzak tutulmalıdır.** Akü terminalerinin birbirine kısa devre yapılması yanıklara veya yangına neden olabilir.
 - d. **Sıra dışı koşullarda sıvı aküden dışarı akabilir, temastan kaçının. Yanlışlıkla cilde temas edilirse su ile yıkayın. Gözle temas durumunda ayrıca doktora başvurun.** Aküden sıvı akması ciltte tahriş veya yanmaya neden olabilir.

6. Servis

- a. **Elektrikli aletinizi, sadece orijinal yedek parçaların kullanıldığı yetkili servise tamir ettirin.** Bu, elektrikli aletin güvenliğinin muhafaza edilmesini sağlayacaktır.

Elektrikli el aletleri için ek güvenlik talimatları

Uyarı! Matkaplar ve darbeli matkaplar için ek güvenlik talimatları

- **Darbeli matkap ile çalışırken kulaklık takın.** Yüksek sese maruz kalmak işitme kaybına yol açabilir.
- **Aletle birlikte verilmiş olan yardımcı tutma kollarını kullanın.** Kontrol kaybı kişisel yaralanmalara neden olabilir.
- **Kesme aksesuarının gizli kabloları veya kendi kablosuna temas edebileceği yerlerde çalışma yaparken elektrikli aleti yalıtımlı kavrama yüzeylerinden tutun.** Kesme aksesuarının «akım taşıyan» bir kabloya temas etmesi durumunda elektrikli aletin metal kısımları da «akım taşıyıcı» hale gelecek ve kullanıcının elektrik çarpmasına neden olabilir.
- **Bağlantı parçasının gizli kabloları temas edebileceği yerlerde çalışma yaparken elektrikli aleti yalıtımlı kavrama yüzeylerinden tutun.** Bağlantı parçalarının «akım taşıyan» bir kabloya temas etmesi durumunda elektrikli aletin metal kısımları da «akım taşıyıcı» hale gelecek ve kullanıcının elektrik çarpmasına neden olabilir.
- **Üzerinde çalıştığınız parçayı sabitlemek ve desteklemek için kelepçeler veya başka pratik yöntemler kullanın.** Parçayı elle veya vücudunuza dayamanız dengesiz durmasına neden olacaktır ve aletin kontrolünü kaybetmenize yol açabilir.
- Duvar, zemin veya tavanda delik açmadan önce kablo ve boruların konumunu kontrol edin.
- Delme işleminin hemen ardından matkap ucuna dokunmaktan kaçının; sıcak olabilir.
- Bu alet fi ziksel ve zihinsel kapasitesinin yanı sıra algılama gücü azalmış olan veya yeterince deneyim ve bilgisi bulunmayan kişiler (çocuklar dahil) tarafından kullanılmak üzere üretilmemiştir. Bu tür kişiler aleti ancak güvenliklerinden sorumlu bir kişi tarafından cihazın kullanımıyla ilgili talimatların verilmesi veya sürekli kontrol altında tutulması durumunda kullanabilir. Çocuklar, aletle oynamalarını önlemek amacıyla kontrol altında tutulmalıdır.
- Kullanım amacı bu kullanım kılavuzunda açıklanmıştır. Herhangi bir aksesuarın veya bağlantının ya da işlemin, bu kılavuzda tavsiye edilen şekilden başka bir şekilde kullanılması şahısların yaralanmalarına ve/veya mal kaybına yol açabilir.

Diğer tehlikeler

Aletin kullanımıyla ilgili ekte sunulan güvenlik uyarılarına dahil olmayan ilave kalıcı riskler ortaya çıkabilir. Bu riskler, hatalı, uzun süreli kullanım vb. dolayısıyla ortaya çıkabilir.

Emniyet tedbirlerini düzenleyen yönetmeliğin uygulanmasına ve emniyet sağlayıcı aygıtların kullanılmasına rağmen, başka belirli risklerden kaçınılamaz. Bunlar:

- Aletin dönen ve hareket eden parçalarına dokunma sonucu ortaya çıkan yaralanmalar.
- Herhangi bir parçayı, bıçak veya aksesuarı değiştirirken ortaya çıkan yaralanmalar.
- Aletin uzun süreli kullanılması sonucu ortaya çıkan yaralanmalar. Herhangi bir aleti uzun sürelerle kullanacaksanız düzenli olarak çalışmanıza ara verin.
- Duyma bozukluğu.
- Aleti kullanırken ortaya çıkan tozun solunması sonucu ortaya çıkan sağlık sorunları (örnek: ahşapta çalışırken, özellikle meşe, akgürgen ve MDF).

Titreşim

Teknik veriler ve uygunluk beyanatı içerisinde belirtilen titreşim emisyon değerleri EN60745 tarafından belirlenen standart bir test yöntemine uygun olarak ölçülmektedir ve diğer bir aletle karşılaştırma yaparken kullanılabilir. Beyan edilen titreşim emisyon değeri aynı zamanda maruz kalmanın önceden değerlendirilmesinde de kullanılabilir.

Uyarı! Elektrikli aletin mevcut kullanımı sırasındaki titreşim emisyon değeri, aletin kullanım yöntemine bağlı olarak, beyan edilen değere göre farklılık sergileyebilir. Titreşim düzeyi belirlenen seviyenin üzerinde artış gösterebilir.

İşyerinde düzenli olarak elektrikli alet kullanan çalışanları korumak amacıyla 2002/44/EC tarafından getirilen elektrik güvenliği önlemlerini belirlemek üzere titreşime maruz kalmayı değerlendirirken, çalışma döngüsü içerisinde örneğin aletin kapalı olduğu ve aktif durumda olmasının yanı sıra boşta çalıştığı zamanlar gibi, bütün zaman dilimleri dahil olmak üzere mevcut kullanım durumu ve aletin kullanım şekli göz önünde bulundurularak değerlendirilmelidir.

Alet üzerindeki etiketler

Alet üzerinde, aşağıdaki uyarı sembolleri bulunmaktadır:



Uyarı! Yaralanma riskini en aza indirmek için kullanıcı kullanım talimatlarını mutlaka okumalıdır.

Tarih kodu konumu

İmalat yılını da içeren Tarih Kodu gövdeye basılıdır.

Örnek:

2014 XX JN
İmalat Yılı

Şarj cihazları ve aküler için ek güvenlik talimatları

Aküler

- Kesinlikle, hiçbir nedenle açmaya çalışmayın.
- Aküyü suya batırmayın.
- Sıcaklığın 40 °C'yi aşabileceği yerlerde saklamayın.
- Sadece 10 °C ila 40 °C arasındaki ortam sıcaklıklarında şarj edin.
- Sadece aletle birlikte verilen şarj cihazını kullanarak şarj edin.
- Aküleri atarken, «Çevrenin korunması» başlıklı bölümdeki talimatlara uyun.



Hasarlı aküleri şarj etmeyi çalışmayın.

Şarj cihazları

- STEANLY şarj cihazınızı, yalnızca aletle birlikte verilen aküyü şarj etmek için kullanın. Diğer aküler patlayarak yaralanmanıza veya hasar meydana gelmesine yol açabilir.
- Şarj edilme özelliği olmayan aküleri kesinlikle şarj etmeye çalışmayın.
- Hasarlı kabloların hemen değiştirilmesini sağlayın.
- Şarj cihazını suya batırmayın.
- Şarj cihazını açmayın.
- Şarj cihazını delmeyin.



Şarj cihazı, yalnızca kapalı alanda kullanım içindir.



Aletle çalışmaya başlamadan önce bu kılavuzu okuyun.



127 °C



Çevre ısısı çok yükselir ise şarj cihazı otomatik olarak kapanır. Termik kesici sadece bir defa çalışır ve sonrasında tamamen değiştirilmesi gerekmektedir.

Elektrik güvenliği



Şarj cihazınız çift yalıtımlıdır; Bu yüzden hiçbir topraklama kablosuna gerek yoktur. Her zaman şebeke geriliminin aletin üretim etiketinde belirtilmiş değerlere uyup uymadığını kontrol edin. Şarj cihazını kesinlikle normal bir elektrik fişi ile değiştirmeye kalkışmayın.

- Elektrik kablosu hasarlı ise, bir tehlike oluşmasını önlemek için üretici ya da yetkili STANLEY Servis Merkezi tarafından değiştirilmelidir.

ÖZELLİKLER

Bu alet, aşağıdaki özelliklerin bir kısmını veya tümünü içermektedir.

1. Değişken hız ayarlı tetik
2. İleri/geri sürgüsü
3. Mod seçici/tork ayarlama bileziği
4. Mandren
5. Vites mandalı
6. Matkap/tornavida ucu yuvası
7. Akü
8. LED aydınlatma
9. Akü şarj göstergesi
10. Kemer klipsi

Şekil A

11. Şarj cihazı
12. Şarj ışığı

Montaj

Uyarı! Montajdan önce aküyü aletten çıkartın.

Akünün takılması ve çıkartılması (Şekil B)

- Aküyü (7) takmak için alet üzerindeki yuvası ile aynı hizaya getirin. Aküyü yuvaya geçirin ve yerine oturana kadar itin.
- Aküyü çıkartmak için çıkartma düğmesine (13) basın ve aynı anda akü yuvasından geri çekin.

Matkap veya tornavida ucunu takmak ve çıkartmak

Bu alet, uçların kolayca değiştirilmesini sağlamak için anahtarsız bir mandren ile donatılmıştır.

- İleri/geri sürgüsünü (2) orta konuma getirerek aleti kilitleyin.
- Bir elle aleti tutarken, diğer elinizle mandreni (4) çevirerek açın.
- Ucu sapını mandrenin içine yerleştirin.
- Bir elle aleti tutarken, diğer elinizle mandreni (4) çevirerek kuvvetli bir şekilde sıkıştırın.

Bu alet, uç yuvasında (6) bir yıldız tornavida ucuyla tedarik edilmektedir.

- Tornavida ucunu uç yuvasından çıkartmak için kaldırarak oyuktan alın.
- Tornavida ucunu yerine koymak için yuvasına sıkıca bastırın.

Kullanımı

Uyarı! Aletin kendi hızında çalışmasına izin verin. Aşırı yüklenmeyin.

Uyarı! Duvar, zemin veya tavanda delik açmadan önce kablo ve boruların konumunu kontrol edin.

Akünün şarj edilmesi (Şekil A)

Akünün, ilk kullanımdan önce ve daha önce kolayca yapılan işler için yeterli güç üretmediği hallerde şarj edilmesi gereklidir. Akü, şarj sırasında ısınabilir; bu normal bir durumdur ve bir sorun olduğuna işaret etmez.

Uyarı! Ortam sıcaklığı 10 °C'den düşük veya 40 °C'den yüksekse aküyü şarj etmeyin. Tavsiye edilen şarj sıcaklığı: yaklaşık 24 °C.

Not: PİL hücre ısısı yaklaşık olarak 0 °C altında veya 40 °C üzerindeyse şarj cihazı aküyü şarj etmeyecektir. Akü şarj cihazında bırakılmalıdır. Şarj cihazı pil hücresi ısısı yukarı çıktığında veya aşağı indiğinde otomatik olarak şarj işlemine başlayacaktır.

- Aküyü (7) şarj etmek için şarj cihazına (11) takın. Akü, şarj cihazına sadece tek yönde takılabilir. Zorlamayın. Akünün şarj cihazına tam yerleştirildiğinden emin olun.
- Şarj adaptörünü fişe takın ve varsa şebeke prizinin düğmesini açık konumuna getirin.

Şarj ışığı (12) yeşil yanıp sönecektir (yavaşça).

Şarj işlemi, şarj ışığı (12) sürekli yeşil yandığında

tamamlanmıştır. Şarj cihazı ve akü sürekli bağlı olarak, LED ışığı yanarak prizde bırakılabilir. Ara sıra, şarj cihazı akünün şarjını tam dolulukta tutmak için şarj edebilir bu durumda LED ışığı yeşil yanıp sönecektir. Akü, prize takılı olan şarj cihazına bağlı olduğu sürece şarj ışığı (12) yanacaktır.

- Şarjı boşalmış aküleri 1 hafta içinde yeniden şarj edin. Akü boş olarak saklandığında ömrü önemli ölçüde azalacaktır.

Aküyü şarj cihazında bırakma

Şarj cihazı ve akü sürekli bağlı olarak, LED ışığı yanarak prizde bırakılabilir. Şarj cihazı aküyü sürekli tam şarjda tutacaktır.

Şarj cihazı hata tanıma sistemi

Eğer şarj cihazı zayıf veya hasarlı bir akü belirlerse, şarj ışığı (12) hızlı bir şekilde kırmızı renkte yanıp sönecektir.

Aşağıdaki talimatlara göre hareket edin:

- Aküyü (7) çıkartıp yeniden takın.
- Eğer şarj ışığı hızlıca kırmızı yanıp sönmeye devam ederse, ikinci aküyü takıp, şarj işleminin doğru çalışıp çalışmadığını kontrol edin.
- Eğer takılan diğer akü şarj ediliyorsa, ilk denenen akü bozulmuştur ve geri dönüşüm için yetkili bir servise iletilmesi gerekir.
- Eğer her iki akü de şarj edilemiyorsa, şarj cihazı test edilmek için yetkili bir servise götürülmelidir

Not: Akünün bozulmuş olduğunu belirlemek 60 dakika sürebilir. Eğer akü çok sıcak ya da soğuksa, LED ışığı birbirini tekrar eder şekilde önce hızlı sonra yavaş şekilde yanıp sönecektir

Dönme yönünün seçilmesi (Şekil C)

Delik açma ve vida sıkma uygulamaları için ileri (saat yönünde) dönmeyi kullanın. Vidaları gevşetmek veya sıkışmış bir matkap ucunu çıkarmak için geri (saatin ters yönünde) dönmeyi kullanın.

- İleri dönmeyi seçmek için ileri/geri sürgüsünü (2) sola itin.
- Geri dönmeyi seçmek için ileri/geri sürgüsünü sağa itin.
- Aleti kilitlemek için ileri/geri sürgüsünü orta konuma getirin.

Çalışma modu veya torkun seçilmesi (Şekil D)

Bu alet, çalışma modunun seçilmesi ve vida sıkma torkunun ayarlanması için bir bilezikle donatılmıştır. Büyük vidalar ve üzerinde çalışılan sert malzemeler küçük vidalara ve yumuşak malzemelere göre daha yüksek bir tork ayarı gerektirir. Bilezik, uygulamanıza uyacak geniş bir ayar aralığına sahiptir.

- Aşap, metal ve plastik delme işlemleri için aa sembolünü işaretle (14) hizalayarak bileziği (3) delme konumuna getirin.
- Vida takma ve sökme işlemleri için bileziği istediğiniz konuma getirin. Henüz uygun ayarı bilmiyorsanız, aşağıda belirtildiği şekilde ilerleyin:
 - Bileziği (3) en düşük tork ayarına getirin.
 - Ardından ilk vidayı sıkın.
 - Kavrama istenen sonuç elde edilmeden düşerse, bilezik ayarını yükselin ve vidayı sıkmaya devam edin. Doğru ayara ulaşına kadar tekrarlayın. Kalan vidalar için de bu ayarı kullanın.

Duvar delme (Şekil D ve E)

- Duvar delme işlemleri için bb sembolünü işaretle (14) hizalayarak bileziği (3) darbeli delme konumuna getirin.
- Vites mandalını (5) aletin önüne doğru kaydırın (2.hız).

Vites mandalı (Şekil E)

- Çelik delme ve vida takma ve sökme uygulamaları için vites mandalını (5) aletin arka kısmına doğru (1. hız) kaydırın.
- Çelik dışında bir maddeyi delme uygulamaları için vites mandalını (5) aletin ön kısmına doğru (2.hız) kaydırın.

Delme/vida takma ve sökme

- İleri geri sürgüsünü (2) kullanarak ileri veya geri yönde dönme fonksiyonunu seçin.
- Aleti açmak için, değişken hız ayarlı tetiğe (1) basın. Aletin hızı, tetiğe ne kadar bastığınıza bağlıdır.
- Aleti kapatmak için, tetiği bırakın.

LED aydınlatma

Tetiğe basıldığında LED aydınlatma (8) otomatik olarak yanar. Tetik kısmen basıldığında ve alet çalışmaya başlamadan önce LED aydınlatma yanacaktır.

Akü şarj göstergesi

Bu alet akü şarj göstergesiyle donatılmıştır. Bu gösterge, kullanım sırasında akü şarj seviyesini görüntülemek için kullanılabilir.

- Akü şarj göstergesinin düğmesine (9) basın.

En uygun kullanım için yararlı tavsiyeler

Delme

- Daima matkap ucuna düz bir çizgide hafif bir baskı uygulayın.
- Matkap ucu, üzerinde çalıştığınız parçanın öbür yüzünden çıkmadan hemen önce alet üzerindeki baskıyı azaltın.
- Parçalanabilecek parçaları desteklemek için ağaç bir takoz kullanın.
- Aşapta büyük çaplı delikler delerken geniş ağızlı uç kullanın.
- Metali delerken HSS matkap uçları kullanın.
- Tuğla ve yumuşak betonda delik delerken beton matkap ucu kullanın.
- Döküm demir ve pirinç dışındaki metalleri delerken bir yağlayıcı kullanın.
- Doğruluğu geliştirmek için, delinecek deliğin ortasına bir merkez zımbası ile çentik atın.

Vida takma ve sökme

- Daima doğru tipte ve boyutta tornavida ucu takın.
- Vidaları sıkmakta zorlanıyorsanız, yağlayıcı olarak az miktarda deterjan veya sabun kullanmayı deneyin.
- Aleti ve tornavida ucunu daima vidaya dik bir çizgide tutun.

Aksesuarlar

Aletinizin performansı kullanılan aksesuara bağlıdır. STANLEY aksesuarları, yüksek kalite standartlarına göre üretilmiş ve aletinizin performansını arttıracak şekilde tasarlanmıştır. Bu aksesuarları kullanarak, aletinizden en iyi verimi alacaksınız.

Bakım

STANLEY aletiniz minimum bakımla uzun bir süre çalışacak şekilde tasarlanmıştır. Kesintisiz olarak memnuniyet verici bir şekilde çalışması gerekli özenin gösterilmesine ve düzenli temizliğe bağlıdır.

Şarj cihazınız, düzenli temizlik dışında herhangi bir bakım gerektirmemektedir.

Uyarı! Herhangi bir bakım çalışmasına başlamadan önce aküyü aletten çıkartınız. Şarj cihazını temizlemeden önce fişten çekin.

- Aletinizdeki ve şarj cihazındaki havalandırma deliklerini yumuşak bir fırça veya kuru bir bezle düzenli olarak temizleyin.
- Motor muhafazasını düzenli olarak nemli bir bezle silin. Aşındırıcı veya çözücü bazlı temizleyiciler kullanmayın.
- Mandreni düzenli olarak tamamen açın ve içindeki tozu dökmek için hafifçe vurun.

Çevrenin korunması



Ayrı olarak atın. Bu ürün, normal evsel atıklarla birlikte atılmamalıdır.

STANLEY ürününüzün değiştirilmesi gerektiğini düşünmeniz veya artık kullanılamaz durumda olması halinde onu, evsel atıklarla birlikte atmayın. Bu ürünü, ayrı olarak toplanacak şekilde atın.



Kullanılmış ürünlerin ve ambalajların ayrı olarak toplanması bu maddelerin geri dönüşüme sokularak yeniden kullanılmasına olanak tanır. Geri dönüşümlü maddelerin tekrar kullanılması çevre kirliliğinin önlenmesine yardımcı olur ve ham madde ihtiyacını azaltır.

Yerel yönetmelikler, elektrikli ürünlerin evlerden toplanıp belediye atık tesislerine aktarılması veya yeni bir ürün satın alırken perakende satıcı tarafından toplanması yönünde hükümler içerebilir.

STANLEY, hizmet ömrünün sonuna ulaşan STANLEY ürünlerinin toplanması ve geri dönüşüme sokulması için bir imkân sunmaktadır. Bu hizmetin avantajlarından faydalanmak için, lütfen, ürününüzü bizim adımıza teslim alacak herhangi bir yetkili servise iade edin.

Bu kılavuzda belirtilen listeden size en yakın yetkili tamir servisinin yerini öğrenebilirsiniz. Ya da, alternatif olarak internet'ten STANLEY yetkili tamir servislerinin listesini ve satış sonrası hizmetlerimizle ilgili tüm bilgiler ve temas bilgilerine aşağıdaki siteden ulaşabilirsiniz.

www.2helpU.com

STDC18LHBK		
Voltaj	V_{DC}	18
Yüksüz hızı	dev/dak	0-400/0-1600
Maks. tork	Nm	51.4
Chuck capacity	mm	13
Maks. delme kapasitesi		
Ahşap	mm	38
Çelik	mm	13
Beton	mm	13
Ağırlık	kg	1.34
Şarj cihazı		
Giriş voltajı	V_{AC}	230
Çıkış voltajı	V_{DC}	18
Çıkış akımı	mA	2
Yaklaşık şarj süresi	dakika	60-120
Akü		
Voltaj		18
Kapasite	Ah	2
Akü tipi		Li-Ion

EN 60745'e göre ses basıncı düzeyi:Ses basıncı (L_{pA}) 88,1 dB(A), belirsizlik (K) 3 dB(A)Akustik güç (L_{WA}) 99,1 dB(A), belirsizlik (K) 3 dB(A)**EN 60745'e göre tespit edilen toplam titreşim değerleri (üç yönün vektör toplamı):**Betonda darbeli delme ($a_{h, ID}$) = 13,1 m/s², belirsizlik (K) 1,5 m/s²Metalde delme ($a_{h, D}$) < 2,5 m/s², belirsizlik (K) 1,5 m/s²Darbesiz vidalama ($a_{h, S}$) < 2,5 m/s², belirsizlik (K) 1,5 m/s²**İki yıl garanti**

Sahip olduğunuz STANLEY ürünü satın alma tarihinden itibaren 24 ay içinde hatalı malzeme veya işçilik nedeniyle bozulursa, STANLEY aşağıdaki şartlara uyulması koşuluyla ücretsiz olarak tüm kusurlu parçaların yenilenmesini veya -kendi inisiyatifine bağlı olarak- satın alınan ürünün değiştirilmesini garanti eder:

- Ürün, hatalı kullanılmamış kullanım kılavuzuna uygun kullanılmıştır;
- Ürün yıpranmamış, hırpalanmamış ve aşınmamıştır;
- Yetkili olmayan kişilerce tamire çalışılmamıştır;
- Satın alma belgesi (fatura) ibraz edilmiştir;
- STANLEY ürünü, tüm orijinal parçaları ile birlikte iade edilmiştir;
- Ürün kiraya verilmemiştir.

Garanti talebinde bulunmak için, lütfen satıcıyla irtibata geçin veya STANLEY katalogunda belirtilen size en yakın STANLEY yetkili satıcı adresini kontrol edin veya ürünün kılavuzunda belirtilen adresteki yerel STANLEY yetkili tamir servisi ile temas kurun. İnternet'ten Stanley yetkili tamir servislerinin listesine ve satış sonrası hizmetlerimizle ilgili tüm bilgilerine aşağıdaki siteden ulaşabilirsiniz: www.stanleytools.com

AT Uygunluk Beyanati
MAKİNE DİREKTİFİ



STDC18LHBK

Stanley, «teknik özellikleri» bölümünde açıklanan bu ürünlerin aşağıda belirtilen yönergelere uygun olduğunu beyan eder:
2006/42/EC, EN 60745-1, EN 60745-2-1

Bu ürünler ayrıca
2014/30/EU ve 2011/65/EU Direktiflerine de uygundur.

Daha fazla bilgi için, lütfen aşağıdaki adresten
Stanley ile irtibata geçin veya kılavuzun arkasına bakın.

Bu belge altında imzası bulunan yetkili, teknik dosyanın derlenmesinden sorumludur ve bu beyanı Stanley adına vermiştir.

R.Laverick
Mühendislik Bölümü Müdürü
STANLEY , Europe, Egide Walschaertsstraat14-18,
2800 Mechelen, Belgium
01.2015

Sanayi ve Ticaret Bakanlığı tebliğince kullanım ömrü 7 yıldır.

Türkiye Distribütörü
STANLEY BLACK&DECKER TURKEY ALET ÜRETİM SAN. TIC. LTD.STI.
Kozyatağı Mh Değirmen Sk. Nida Kule No:18 Kat:6, 34742 Kadıköy İstanbul
Tel : (0216) 665 29 00, Faks : (0216) 665 29 01, E-posta: info-tr@sbdinc.com

Назначение

Ваша аккумуляторная дрель/шуруповерт предназначена для сверления отверстий и заворачивания саморезов в древесине, металле, пластмассе и легком бетоне.

Инструкции по технике безопасности

Общие правила безопасности при работе с электроинструментами



Внимание! Внимательно прочтите все инструкции по безопасности и руководство по эксплуатации. Несоблюдение всех

перечисленных

ниже правил безопасности и инструкций может привести к поражению электрическим током, возникновению пожара и/или получению тяжелой травмы.

Сохраните все инструкции по безопасности и руководство по эксплуатации для их дальнейшего использования. Термин «Электроинструмент» во всех приведенных ниже указаниях относится к Вашему сетевому (с кабелем) или аккумуляторному (беспроводному) электроинструменту.

1. Безопасность рабочего места

- a. **Содержите рабочее место в чистоте и обеспечьте хорошее освещение.** Плохое освещение или беспорядок на рабочем месте может привести к несчастному случаю.
- b. **Не используйте электроинструменты, если есть опасность возгорания или взрыва, например, вблизи легко воспламеняющихся жидкостей, газов или пыли.** В процессе работы электроинструмент создает искровые разряды, которые могут воспалить пыль или горючие пары.
- c. **Во время работы с электроинструментом не подпускайте близко детей или посторонних лиц.** Отвлечение внимания может вызвать у Вас потерю контроля над рабочим процессом.

2. Электробезопасность

- a. **Вилка кабеля электроинструмента должна соответствовать штепсельной розетке. Ни в коем случае не видоизменяйте вилку электрического кабеля. Не используйте соединительные штепсели- переходники, если в силовом кабеле электроинструмента есть провод заземления.** Использование оригинальной вилки кабеля и соответствующей ей штепсельной розетки уменьшает риск поражения электрическим током.

- b. **Во время работы с электроинструментом избегайте физического контакта с заземленными объектами, такими как трубопроводы, радиаторы отопления, электроплиты и холодильники.** Риск поражения электрическим током увеличивается, если Ваше тело заземлено.
- c. **Не используйте электроинструмент под дождем или во влажной среде.** Попадание воды в электроинструмент увеличивает риск поражения электрическим током.
- d. **Бережно обращайтесь с электрическим кабелем. Ни в коем случае не используйте кабель для переноски электроинструмента или для вытягивания его вилки из штепсельной розетки. Не подвергайте электрический кабель воздействию высоких температур и смазочных веществ; держите его в стороне от острых кромок и движущихся частей инструмента.** Поврежденный или запутанный кабель увеличивает риск поражения электрическим током.
- e. **При работе с электроинструментом на открытом воздухе используйте удлинительный кабель, предназначенный для наружных работ.** Использование кабеля, пригодного для работы на открытом воздухе, снижает риск поражения электрическим током.
- f. **При необходимости работы с электроинструментом во влажной среде используйте источник питания, оборудованный устройством защитного отключения (УЗО).** Использование УЗО снижает риск поражения электрическим током.

3. Личная безопасность

- a. **При работе с электроинструментами будьте внимательны, следите за тем что Вы делаете, и руководствуйтесь здравым смыслом. Не используйте электроинструмент, если Вы устали, а также находясь под действием алкоголя или понижающих реакцию лекарственных препаратов и других средств.** Малейшая неосторожность при работе с электроинструментами может привести к серьезной травме.
- b. **При работе используйте средства индивидуальной защиты. Всегда надевайте защитные очки.** Своевременное использование защитного снаряжения, а именно: пылезащитной маски, ботинок на нескользящей подошве, защитного шлема или противошумовых наушников, значительно снизит риск получения травмы.

- c. **Не допускайте непреднамеренного запуска.** Перед тем, как подключить электроинструмент к сети и/или аккумулятору, поднять или перенести его, убедитесь, что выключатель находится в положении «выключено». Не переносите электроинструмент с нажатой кнопкой выключателя и не подключайте к сетевой розетке электроинструмент, выключатель которого установлен в положение «включено», это может привести к несчастному случаю.
- d. **Перед включением электроинструмента снимите с него все регулировочные или гаечные ключи.** Регулировочный или гаечный ключ, оставленный закрепленным на вращающейся части электроинструмента, может стать причиной тяжелой травмы.
- e. **Работайте в устойчивой позе. Всегда сохраняйте равновесие и устойчивую позу.** Это позволит Вам не потерять контроль при работе с электроинструментом в непредвиденной ситуации.
- f. **Одевайтесь соответствующим образом. Во время работы не надевайте свободную одежду или украшения.** Следите за тем, чтобы Ваши волосы, одежда или перчатки находились в постоянном отдалении от движущихся частей инструмента. Свободная одежда, украшения или длинные волосы могут попасть в движущиеся части инструмента.
- g. **Если электроинструмент снабжен устройством сбора и удаления пыли, убедитесь, что данное устройство подключено и используется надлежащим образом.** Использование устройства пылеудаления значительно снижает риск возникновения несчастного случая, связанного с загрязненностью рабочего пространства.
4. **Использование электроинструментов и технический уход**
- a. **Не перегружайте электроинструмент. Используйте Ваш инструмент по назначению.** Электроинструмент работает надежно и безопасно только при соблюдении параметров, указанных в его технических характеристиках.
- b. **Не используйте электроинструмент, если его выключатель не устанавливается в положение включения или выключения.** Электроинструмент с неисправным выключателем представляет опасность и подлежит ремонту.
- c. **Отключайте электроинструмент от сетевой розетки и/или извлекайте аккумулятор перед регулированием, заменой принадлежностей или при хранении электроинструмента.** Такие меры предосторожности снижают риск случайного включения электроинструмента.
- d. **Храните неиспользуемые электроинструменты в недоступном для детей месте и не позволяйте лицам, не знакомым с электроинструментом или данными инструкциями, работать с электроинструментом.** Электроинструменты представляют опасность в руках неопытных пользователей.
- e. **Регулярно проверяйте исправность электроинструмента.** Проверяйте точность совмещения и легкость перемещения подвижных частей, целостность деталей и любых других элементов электроинструмента, воздействующих на его работу. Не используйте неисправный электроинструмент, пока он не будет полностью отремонтирован. Большинство несчастных случаев являются следствием недостаточного технического ухода за электроинструментом.
- f. **Следите за острой заточкой и чистой режущей принадлежностью.** Принадлежности с острыми кромками позволяют избежать заклинивания и делают работу менее утомительной.
- g. **Используйте электроинструмент, аксессуары и насадки в соответствии с данным Руководством и с учетом рабочих условий и характера будущей работы.** Использование электроинструмента не по назначению может создать опасную ситуацию.
5. **Использование аккумуляторных инструментов и технический уход**
- a. **Заряжайте аккумулятор зарядным устройством указанной производителем марки.** Зарядное устройство, которое подходит к одному типу аккумуляторов, может создать риск возгорания в случае его использования с аккумуляторами другого типа.
- b. **Используйте электроинструменты только с предназначенными для них аккумуляторами.** Использование аккумулятора какой-либо другой марки может привести к возникновению пожара и получению травмы.
- c. **Держите не используемый аккумулятор подальше от металлических предметов, таких как скрепки, монеты, ключи, гвозди, шурупы, и других мелких металлических предметов, которые могут замкнуть контакты аккумулятора.** Короткое замыкание контактов аккумулятора может привести к получению ожогов или возникновению пожара.

d. В критических ситуациях из аккумулятора может вытечь жидкость (электролит); избегайте контакта с кожей. Если жидкость попала на кожу, смойте ее водой. Если жидкость попала в глаза, обращайтесь за медицинской помощью. Жидкость, вытекающая из аккумулятора, может вызвать раздражение или ожоги.

6. Техническое обслуживание

a. **Ремонт Вашего электроинструмента должен производиться только квалифицированными специалистами с использованием идентичных запасных частей.** Это обеспечит безопасность Вашего электроинструмента в дальнейшей эксплуатации.

Дополнительные меры безопасности при работе с электроинструментами



Внимание! Дополнительные меры безопасности при работе дрелями и ударными дрелями

- **При работе ударными дрелями всегда надевайте противозумные наушники.** Воздействие шума может привести к потере слуха.
- **При работе пользуйтесь дополнительными рукоятками, прилагающимися к инструменту.** Потеря контроля над инструментом может привести к тяжелой травме.
- **Держите инструмент за изолированные ручки при выполнении операций, во время которых режущий инструмент может соприкасаться со скрытой проводкой или собственным кабелем.** Контакт режущей принадлежности с находящимся под напряжением проводом делает не покрытые изоляцией металлические части электроинструмента «живыми», что создает опасность поражения оператора электрическим током.
- **Держите инструмент за изолированные ручки при выполнении операций, во время которых крепежная деталь может соприкасаться со скрытой проводкой.** Контакт крепежных элементов с находящимся под напряжением проводом делает не покрытые изоляцией металлические части электроинструмента «живыми», что создает опасность поражения оператора электрическим током.
- **Используйте струбцины или другие приспособления для фиксации обрабатываемой детали, устанавливая их только на неподвижной поверхности.** Если держать обрабатываемую деталь руками или с упором в собственное тело, то можно потерять контроль над инструментом или

обрабатываемой деталью.

- Прежде чем сверлить отверстия в стенах, полах или потолках, проверьте наличие электропроводки и трубопроводов.
- Не дотрагивайтесь до наконечника сверла сразу же после окончания сверления, так как он может быть горячим.
- Использование инструмента физически или умственно неполноценными людьми, а также детьми и неопытными лицами допускается только под контролем ответственного за их безопасность лица. Не позволяйте детям играть с электроинструментом.
- Назначение инструмента описывается в данном руководстве по эксплуатации. Использование любых принадлежностей или приспособлений, а также выполнение данным инструментом любых видов работ, не рекомендованных данным руководством по эксплуатации, может привести к несчастному случаю и/или повреждению личного имущества.

Остаточные риски

При работе с данным инструментом возможно возникновение дополнительных остаточных рисков, которые не вошли в описанные здесь правила техники безопасности. Эти риски могут возникнуть при неправильном или про- должительном использовании изделия и т.п.

Несмотря на соблюдение соответствующих инструкций по технике безопасности и использование предохранительных устройств, некоторые остаточные риски невозможно полностью исключить. К ним относятся:

- Травмы в результате касания вращающихся/двигающихся частей инструмента.
- Риск получения травмы во время смены деталей инструмента, ножей или насадок.
- Риск получения травмы, связанный с продолжительным использованием инструмента. При использовании инструмента в течение продолжительного периода времени делайте регулярные перерывы в работе.
- Ухудшение слуха.
- Ущерб здоровью в результате вдыхания пыли в процессе работы с инструментом (например, при обработке древесины, в особенности, дуба, бука и ДВП).

Вибрация

Значения уровня вибрации, указанные в технических характеристиках инструмента и декларации соответствия, были измерены в соответствии со стандартным методом определения вибрационного воздействия согласно EN60745 и могут использоваться при сравнении характеристик различных инструментов. Приведенные значения уровня вибрации могут также использоваться для предварительной оценки величины вибрационного воздействия.

Внимание! Значения вибрационного воздействия при работе с электроинструментом зависят от вида работ, выполняемых данным инструментом, и могут отличаться от заявленных значений. Уровень вибрации может превышать заявленное значение.

При оценке степени вибрационного воздействия для определения необходимых защитных мер (2002/44/EC) для людей, использующих в процессе работы электроинструменты, необходимо принимать во внимание действительные условия использования электроинструмента, учитывая все составляющие рабочего цикла, в том числе, время, когда инструмент находится в выключенном состоянии, время, когда он работает без нагрузки, а также время его запуска и отключения.

Маркировка инструмента

На инструменте имеются следующие знаки:



Внимание! Полное ознакомление с руководством по эксплуатации снизит риск получения травмы.

Положение даты штрих-кода

Дата кода, который также включает год изготовления, печатается на корпусе.

Пример:

2014 XX JN
Год изготовления

Дополнительные меры безопасности при работе с аккумуляторами и зарядными устройствами Аккумуляторы

- Ни в коем случае не пытайтесь разобрать аккумулятор.
- Не погружайте аккумулятор в воду.
- Не храните в местах, где температура может превысить 40 °C.
- Заряжайте аккумулятор только при температуре окружающей среды в пределах 10°C - 40°C.
- Заряжайте только зарядными устройствами, входящими в комплект поставки электроинструмента.

- Утилизируйте отработанные аккумуляторы, следуя инструкциям раздела «Защита окружающей среды».



Ни в коем случае не пытайтесь заряжать поврежденный аккумулятор!

Зарядные устройства

- Используйте Ваше зарядное устройство STANLEY только для зарядки аккумулятора электроинструмента, в комплект поставки которого он входит. Аккумуляторы других марок могут взорваться, что приведет к получению травмы или повреждению электроинструмента.
- Ни в коем случае не пытайтесь зарядить батарейки питания.
- Немедленно заменяйте поврежденный сетевой кабель.
- Не погружайте зарядное устройство в воду.
- Не разбирайте зарядное устройство.
- Не используйте зарядное устройство в качестве объекта для проведения испытаний.



Зарядное устройство предназначено только для использования внутри помещений.



Перед началом работы внимательно прочтите руководство по эксплуатации.



127°C



Зарядное устройство автоматически выключается, если температура окружающей среды становится слишком высокой.

Термовыключатель срабатывает только один раз, после чего его требуется полностью заменить

Электробезопасность



Данный инструмент защищен двойной изоляцией, что исключает потребность в заземляющем проводе. Следите за напряжением электрической сети, оно должно соответствовать величине, обозначенной на информационной табличке электроинструмента.

- Во избежание несчастного случая, замена поврежденного кабеля питания должна производиться только на заводе-изготовителе или в авторизованном сервисном центре Stanley.

Составные части

Ваш электроинструмент может содержать все или некоторые из перечисленных ниже составных частей:

1. Клавиша пускового выключателя с регулировкой скорости
2. Переключатель направления вращения (реверса)

3. Муфта выбора режима работы/установки крутящего момента
4. Зажимной патрон
5. Переключатель скоростей
6. Держатель насадок
7. Аккумулятор
8. Светодиодная подсветка
9. Индикатор состояния заряда
10. Крепление для ремня

Рис. А

11. Зарядное устройство
12. Индикатор зарядки

Сборка

Внимание! Перед сборкой извлеките из инструмента аккумулятор.

Установка и извлечение аккумулятора (Рис. В)

- Чтобы вставить аккумулятор (7), совместите его с приёмным гнездом на инструменте. Вдвиньте аккумулятор в приёмное гнездо и нажимайте на него, пока он не зафиксируется на месте.
- Для извлечения аккумулятора нажмите на отпирающую кнопку (13), одновременно вынимая аккумулятор из приёмного гнезда.

Установка и снятие сверла или отвёрточной насадки

Данный инструмент оснащён быстрозажимным патроном, позволяющим легко и быстро производить смену сверл и отвёрточных насадок.

- Заблокируйте инструмент, передвинув переключатель реверса (2) в среднее положение.
- Раскройте патрон, одной рукой поворачивая патрон (4), а другой рукой удерживая инструмент.
- Вставьте в патрон хвостовик насадки.
- Надежно затяните патрон, одной рукой заворачивая патрон (4), другой рукой удерживая инструмент.

Данная дрель поставляется с двухсторонней отвёрточной насадкой, находящейся в держателе (6).

- Для извлечения отвёрточной насадки, вытяните её из гнезда держателя.
- Для размещения отвёрточной насадки, вдавите её в гнездо держателя.

Эксплуатация

Внимание! Не форсируйте рабочий процесс. Избегайте перегрузки инструмента.

Внимание! Прежде чем сверлить отверстия в стенах, полах или потолках, проверьте наличие электропроводки и трубопроводов

Зарядка аккумулятора (Рис. А)

Аккумулятор нуждается в зарядке перед первым использованием и если он не обеспечивает достаточную мощность для работ, которые ранее выполнялись легко и быстро. В процессе зарядки аккумулятор может слегка нагреться. Это нормально, и не указывает на наличие какой-либо проблемы.

Внимание! Не заряжайте аккумулятор при температуре окружающей среды ниже 10 °С или выше 40 °С. Рекомендуемая температура зарядки: приблизительно 24 °С.

Примечание: Зарядное устройство не будет заряжать аккумулятор, если температура его элемента ниже 0°С или выше 40°С. Оставьте аккумулятор в зарядном устройстве, и по мере того, как температура элемента приблизится к оптимальной, зарядка аккумулятора начнется автоматически.

- Чтобы зарядить аккумулятор (7), вставьте его в зарядное устройство (11). Аккумулятор можно вставить в зарядное устройство только в одном-единственном положении. Не прилагайте чрезмерные усилия. Убедитесь, что аккумулятор полностью вставлен в зарядное устройство.
- Подсоедините зарядное устройство к сетевой розетке и включите его.

Индикатор зарядки (12) начнет мигать зеленым светом (медленно). По завершении зарядки индикатор (12) перейдет в режим непрерывного свечения зеленым светом. Аккумулятор может оставаться в зарядном устройстве при горящем индикаторе в течение неограниченного периода времени. Время от времени индикатор будет мигать зеленым светом, означая завершение зарядки аккумулятора. Индикатор зарядки (12) будет гореть все время, пока в подключенном к сети зарядном устройстве будет находиться аккумулятор.

- Разряженные аккумуляторы заряжайте не позднее одной недели. Срок службы аккумулятора, содержащегося в разряженном состоянии, значительно уменьшается.

Оставление аккумулятора в зарядном устройстве

Аккумулятор может оставаться в зарядном устройстве при горящем индикаторе в течение неограниченного периода времени. Зарядное устройство сохранит аккумулятор полностью заряженным и готовым к работе.

Выявление неисправностей зарядным устройством

При фиксации неисправности самого зарядного устройства или аккумулятора, индикатор зарядки (12) начнет мигать красным светом в ускоренном режиме. Выполните следующие действия:

- Извлеките и повторно вставьте аккумулятор (7) в зарядное устройство.
- Если индикатор продолжает часто мигать красным светом, вставьте другой аккумулятор, чтобы убедиться, что процесс зарядки проходит в правильном режиме.
- Если сменный аккумулятор заряжается правильно, это означает, что первоначальный аккумулятор повреждён и должен быть сдан в сервисный центр на утилизацию.
- Если при установке сменного аккумулятора наблюдается то же частое мигание, что и при установке первоначального аккумулятора, отнесите зарядное устройство в сервисный центр для тестирования.

Примечание: На определение неисправности аккумулятора может понадобиться приблизительно 60 минут. Если аккумулятор слишком охлаждён или слишком перегрет, индикатор зарядки будет чередовать короткие и длинные мигания красным светом

Выбор направления вращения (Рис. С)

Выполняйте сверление и заворачивание саморезов, установив направление вращения вперед (по часовой стрелке). Для выкручивания саморезов или извлечения заклинившего сверла, устанавливайте реверс (вращение против часовой стрелки).

- Для установки вращения вперед сдвиньте переключатель направления вращения (2) влево.
- Для установки реверса сдвиньте переключатель направления вращения вправо.
- Для блокировки электроинструмента, установите переключатель реверса в среднее положение.

Выбор режима работы или крутящего момента (Рис. D)

Данная дрель оборудована муфтой для установки режима работы и крутящего момента при заворачивании саморезов. Большие шурупы и твердые обрабатываемые заготовки требуют большего крутящего момента, чем маленькие шурупы и заготовки из мягких материалов. Муфта имеет большой диапазон установок, что позволяет с достаточной точностью выбирать необходимый режим работы для каждой отдельной операции.

- Для сверления древесины, металла и пластмасс, установите муфту (3) на позицию сверления, совместив символ aa с меткой (14).
- Для заворачивания саморезов, установите муфту в нужное положение. Если Вы еще не достаточно овладели процессом регулирования, поступайте следующим образом:
 - Установите муфту (3) на позицию минимального крутящего момента.
 - Заверните первый шуруп.
 - Если муфта немедленно пробуксовывает, установите муфту регулировки на большую величину крутящего момента и продолжайте заворачивание. Повторяйте это действие, пока не будет определена правильная величина крутящего момента. Используйте эту величину при заворачивании последующих шурупов.

Сверление в кирпичной кладке (Рис. D и E)

- Для сверления стеновых материалов, установите муфту (3) на позицию сверления с ударом, совместив символ bb с меткой (14).
- Передвиньте вперед переключатель скоростей (5) (2-я скорость).

Переключатель скоростей (Рис. E)

- Для сверления стали и заворачивания саморезов передвиньте переключатель скоростей (5) назад (1-я скорость).
- Для сверления прочих материалов, кроме стали, передвиньте переключатель скоростей (5) вперед (2-я скорость).

Сверление/Заворачивание

- Выберите направление вращения при помощи переключателя (2).
- Чтобы включить инструмент, нажмите на клавишу пускового выключателя (1). Скорость инструмента зависит от глубины нажатия на курковый выключатель.
- Чтобы выключить инструмент, отпустите курковый выключатель.

Светодиодная подсветка

При нажатии на клавишу выключателя автоматически загорается светодиодная подсветка (8). Светодиодная подсветка загорится при частичном нажатии на клавишу выключателя, до того, как инструмент начнет работу.

Индикатор состояния заряда

Инструмент оснащён индикатором состояния заряда аккумулятора. Индикатор используется для отображения текущего уровня заряда аккумулятора во время работы.

- Нажмите на кнопку индикатора состояния заряда (9).

Рекомендации по оптимальному использованию

Сверление

- Всегда прикладывайте давление по прямой линии со сверлом.
- На выходе сверла из просверливаемой заготовки, постепенно уменьшайте прилагаемое к сверлу усилие.
- Если заготовка может расколоться, подложите под неё деревянный брусок.
- Для высверливания отверстий крупного диаметра в древесине используйте долотчатые сверла.
- Для сверления в металле используйте сверла из быстрорежущей стали (HSS).
- Для сверления стеновых материалов используйте буры для камня.
- При сверлении металла, кроме чугуна и латуни, используйте смазочно-охлаждающие жидкости.
- Разметьте место сверления с помощью кернера, чтобы гарантировать точность расположения отверстия.

Заворачивание

- Всегда используйте отвёрточную насадку соответствующего типа и размера.
- Если саморезы заворачиваются с трудом, попробуйте нанести небольшое количество мощного средства или мыла в качестве смазки.
- Всегда держите инструмент и отвёрточную насадку по прямой линии с винтом.

Дополнительные принадлежности

Производительность Вашего электроинструмента напрямую зависит от используемых принадлежностей. Принадлежности STANLEY изготовлены в соответствии с самыми высокими стандартами качества и способны увеличить производительность Вашего электроинструмента. Используя эти принадлежности, Вы достигнете наилучших результатов в работе.

Техническое обслуживание

Ваш инструмент Stanley рассчитан на работу в течение продолжительного времени при минимальном техническом обслуживании. Срок службы и надёжность инструмента увеличивается при правильном уходе и регулярной чистке. Ваше зарядное устройство не требует никакого дополнительного технического обслуживания, кроме регулярной чистки.

Внимание! Перед любыми видами работ по техническому обслуживанию вынимайте из инструмента аккумулятор. Перед чисткой зарядного устройства отключите его от источника питания.

- Регулярно очищайте вентиляционные отверстия инструмента и зарядного устройства мягкой щёткой или сухой тканью.
- Регулярно очищайте корпус двигателя влажной тканью. Не используйте абразивные чистящие средства, а также чистящие средства на основе растворителей. Регулярно раскрывайте патрон и вытряхивайте из него всю накопившуюся пыль.

Защита окружающей среды



Раздельный сбор. Данное изделие нельзя утилизировать вместе с обычными бытовыми отходами.

Если однажды Вы захотите заменить Ваш электроинструмент STANLEY или Вы больше в нем не нуждаетесь, не выбрасывайте его вместе с бытовыми отходами. Отнесите изделие в специальный приемный пункт.



Раздельный сбор изделий с истекшим сроком службы и их упаковок позволяет пускать их в переработку и повторно использовать.

Использование переработанных материалов помогает защищать окружающую среду от загрязнения и снижает расход сырьевых материалов.

Местное законодательство может обеспечить сбор старых электроинструментов отдельно от бытового мусора на муниципальных свалках отходов, или Вы можете сдавать их в торговом предприятии при покупке нового изделия.

Фирма STANLEY обеспечивает прием и переработку отслуживших свой срок изделий STANLEY. Чтобы воспользоваться этой услугой, Вы можете сдать Ваше изделие в любой авторизованный сервисный центр, который собирает их по нашему поручению. Вы можете узнать место нахождения Вашего ближайшего авторизованного сервисного центра, обратившись в Ваш местный офис STANLEY по адресу, указанному в данном руководстве по эксплуатации. Кроме того, список авторизованных сервисных центров STANLEY и полную информацию о нашем послепродажном обслуживании и контактах Вы можете найти в интернете по адресу: www.2helpU.com

Технические характеристики

STDC18LHVK		
Напряжение	Влост. Тока	18
Число оборотов без нагрузки	об./мин	0-400/0-1600
Максимальный крутящий момент	Nm	51.4
Патрон	мм	13
Максимальный диаметр сверления		
Дерево	мм	38
Металл	мм	13
бетон	мм	13
Вес	кг	1.34
Напряжение		
Напряжение питания	Вперем. тока	230
Output Voltage	Вперем. тока	18
Current	мА	2
Approx. charge time	минут	60-120
Аккумулятор		
Напряжение	Влост. Тока	18
Емкость	Ач	2
Тип		Li-Ion

2 ГОДА ГАРАНТИИ

При повреждении продукта STANLEY в течение 24 месяцев со дня покупки, произошедшего вследствие дефекта материалов или производственного брака, STANLEY гарантирует замену всех неисправных частей без взимания платы или, по нашему усмотрению, бесплатную замену самого инструмента, при условии, что:

- Продукт использовался без нарушения правил эксплуатации в соответствии с руководством по эксплуатации;
- Продукт пришел в негодность вследствие нормального износа;
- Ремонт продукта не производился посторонними лицами;
- Имеется подтверждение факта совершения покупки.
- Продукт STANLEY возвращен в полной комплектации и с наличием всех оригинальных составных частей.
- Продукт не сдавался напрокат

Если Вы хотите подать заявку на гарантийное обслуживание, обратитесь к Вашему продавцу, в один из авторизованных сервисных центров STANLEY, список которых приведен в каталоге продукции STANLEY, или в ближайший сервисный центр STANLEY по адресу, указанному на упаковке продукта или в данном руководстве по эксплуатации. Список авторизованных сервисных центров STANLEY и полную информацию о нашем послепродажном обслуживании Вы можете найти в интернете по адресу: www.stanleytools.com

STANLEY

Гарантийные условия

Уважаемый покупатель!

1. Поздравляем Вас с покупкой высококачественного изделия STANLEY и выражаем признательность за Ваш выбор.
2. При покупке изделия требуйте проверки его комплектности и исправности в Вашем присутствии, инструкцию по эксплуатации и заполненный гарантийный талон на русском языке.
В гарантийном талоне должны быть внесены: модель, дата продажи, серийный номер, дата производства инструмента; название, печать и подпись торговой организации. При отсутствии у Вас правильно заполненного гарантийного талона, а также несоответствия указанных в нем данных мы будем вынуждены отклонить Ваши претензии по качеству данного изделия.
3. Во избежание недоразумений убедительно просим Вас перед началом работы с изделием внимательно ознакомиться с инструкцией по его эксплуатации. Правовой основой настоящих гарантийных условий является действующее Законодательство. Гарантийный срок на данное изделие составляет 24 месяца и исчисляется со дня продажи. В случае устранения недостатков изделия, гарантийный срок продлевается на период его нахождения в ремонте. Срок службы изделия составляет 5 лет со дня продажи.
4. В случае возникновения каких-либо проблем в процессе эксплуатации изделия рекомендуем Вам обращаться только в уполномоченные сервисные центры STANLEY, адреса и телефоны которых Вы сможете найти в гарантийном талоне, на сайте www.2helpU.com или узнать в магазине. Наши сервисные станции - это не только квалифицированный ремонт, но и широкий ассортимент запчастей и принадлежностей.
5. Производитель рекомендует проводить периодическую проверку и техническое обслуживание изделия в уполномоченных сервисных центрах.



Изготовитель

Блэк энд Деккер Холдингс ГмбХ
Германия, 65510, Идштайн,
ул. Блэк энд Деккер, 40

6. Наши гарантийные обязательства распространяются только на неисправности, выявленные в течение гарантийного срока и вызванные дефектами производства и/или материалов.
7. **Гарантийные условия не распространяются на неисправности изделия, возникшие в результате:**
 - 7.1. Несоблюдения пользователем предписаний инструкции по эксплуатации изделия, применения изделия не по назначению, неправильного хранения, использования принадлежностей, расходных материалов и запчастей, не предусмотренных производителем.
 - 7.2. Механического повреждения (скопы, трещины и разрушения) внутренних и внешних деталей изделия, основных и вспомогательных рукояток, сетевого электрического кабеля, вызванного внешним ударным или любым иным воздействием
 - 7.3. Попадания в вентиляционные отверстия и проникновение внутрь изделия посторонних предметов, материалов или веществ, не являющихся отходами, сопровождающими применение изделия по назначению, такими как: стружка, опилки, песок, и пр.
 - 7.4. Воздействий на изделие неблагоприятных атмосферных и иных внешних факторов, таких как дождь, снег, повышенная влажность, нагрев, агрессивные среды, несоответствие параметров питающей электросети, указанных на инструменте.
 - 7.5. Стихийного бедствия. Повреждение или утрата изделия, связанное с непредвиденными бедствиями, стихийными явлениями, в том числе вследствие действия непреодолимой силы (пожар, молния, потоп и другие природные явления), а так же вследствие перепадов напряжения в электросети и другими причинами, которые находятся вне контроля производителя.
8. **Гарантийные условия не распространяются:**
 - 8.1. На инструменты, подвергавшиеся вскрытию, ремонту или модификации вне уполномоченного сервисного центра.
 - 8.2. На детали и узлы, имеющие следы естественного износа, такие как:
приводные ремни и колеса, угольные щетки, смазка, подшипники, зубчатое зацепление редукторов, резиновые уплотнения, сальники, направляющие ролики, муфты, выключатели, бойки, толкатели, стволы, и т.п.
 - 8.3. На сменные части: патроны, цанги, зажимные гайки и фланцы, фильтры, аккумуляторные батареи, ножи, шлифовальные подошвы, цепи, звездочки, пильные шины, защитные кожухи, пилки, абразивы, пильные и абразивные диски, фрезы, сверла, буры и т.п.
 - 8.4. На неисправности, возникшие в результате перегрузки инструмента (как механической, так и электрической), повлекшей выход из строя одновременно двух и более деталей и узлов, таких как: ротора и статора, обеих обмоток статора, ведомой и ведущей шестерни редуктора или других узлов и деталей. К безусловным признакам перегрузки изделия относятся, помимо прочих: появление цветов побелости, деформация или оплавление деталей и узлов изделия, потемнение или обугливание изоляции проводов электродвигателя под воздействием высокой температуры.

Область застосування

Електричний дріль призначений для свердлення отворів в деревині, металі, пластику та стінах з м'якого каменя або цегли, а також для використання в якості викрутки.

Інструкції з техніки безпеки

Загальні правила безпеки для електричного інструменту



Попередження! Перед використанням інструменту уважно прочитайте всі попередження та інструкції. Невиконання попереджень та інструкцій, наведених нижче, може призвести до ураження електричним струмом, пожежі та/або серйозних травм.

Збережіть всі попередження та інструкції для використання в майбутньому. Термін „електричний інструмент“, в усіх попередженнях стосується використовуваних вами інструментів, що працюють від мережі енергоспоживання (з використанням електричного кабелю) або акумуляторів (без кабелю).

1. Безпека робочої зони

- a. **Тримайте робочу зону чистою та добре освітленою.** Неупорядковані та темні робочі зони збільшують ймовірність нещасного випадку.
- b. **Не використовуйте електричні інструменти у вибухонебезпечній атмосфері, наприклад, в присутності вогнебезпечних рідин, газів та пилу.** Електричні інструменти створюють іскри, що можуть запалити пил або випаровування.
- c. **Тримайте дітей та сторонніх подалі під час використання інструменту.** Відвернення уваги може призвести до втрати контролю.

2. Електрична безпека

- a. **Вилка електричного інструменту має відповідати розетці. Ніколи ніяким чином не змінюйте вилку. Не використовуйте адаптерів із заземленими електричними інструментами.** Немодифіковані вилки та розетки, що підходять до них, зменшують ризик ураження електричним струмом.
- b. **Уникайте контакту тіла з заземленими поверхнями, такими як труби, радіатори, плити та холодильники.** Якщо Ваше тіло заземлене, збільшується ризик ураження електричним струмом.
- c. **Не залишайте електричні інструменти під дощем або в умовах підвищеної вологості.** Вода, що потрапляє в електричний інструмент, підвищує ризик ураження електричним струмом.

- d. **Не використовуйте кабель живлення не за призначенням. Ніколи не використовуйте шнур для перенесення, витягування та відключення від розетки живлення електричного інструменту.** Тримайте шнур подалі від високих температур, мастила, гострих предметів та рухомих деталей. Пошкоджені або перекручені шнури підвищують ризик ураження електричним струмом.
- e. **При використанні електричного інструменту на вулиці, використовуйте подовжувачий шнур, що підходить для використання на вулиці.** Використання шнура, що підходить для вулиці, знижує ризик ураження електричним струмом.
- f. **Якщо неможливо уникнути використання електричного інструменту в умовах підвищеної вологості, використовуйте живлення, захищене пристроєм залишкового струму (RCD).** Використання RCD знижує ризик ураження електричним струмом.

3. Особиста безпека

- a. **Будьте в стані готовності, дивіться, що ви робите, та використовуйте загальний глузд, коли ви працюєте з електричним інструментом. Не використовуйте електричний інструмент, коли ви втомлені або знаходитесь під впливом наркотичних речовин, алкоголю або ліків.** Втрата уваги при роботі з електричними інструментами може призвести до серйозних травм.
- b. **Використовуйте особисті засоби безпеки. Завжди використовуйте засоби захисту очей.** Засоби безпеки, такі як протипилова маска, неслизькі безпечні чоботи, твердий капелюх та засоби захисту слухового апарату, які використані для відповідних умов, зменшують ймовірність особистих травм.
- c. **Уникнення випадкового запуску. Переконайтесь в тому, що вимикач знаходиться в позиції Вилк. Перед підключенням до джерела живлення та/або акумулятора, переміщенням або перенесенням пристрою.** Перенос електричних інструментів, не відпускаючи пальця з вимикача, або ввімкнення електричного інструменту з перемикачем в позиції „Ввімкнено“ може призвести до нещасного випадку.
- d. **Зніміть всі налаштувальні ключі або гайкові ключі перед тим, як вмикати електричний інструмент.** Гайковий ключ, що залишився прикріпленим до якоїсь деталі електричного пристрою, що обертається, може призвести до травм.
- e. **Не перенапружуйтеся. Завжди утримуйте правильну постановку ніг і рівновагу.** Це дає вам змогу краще контролювати інструмент в неочікуваних ситуаціях.

- f. **Вдягайтесь відповідним чином. Не вдягайте вільний одяг чи прикраси. Тримайте ваше волосся, одяг та рукавички подалі від рухомих деталей.** Вільний одяг, прикраси або довге волосся може зачепитися за рухомі деталі.
- g. **Якщо передбачені пристрої для підключення до засобів виділення та збирання пилу, переконайтеся, що вони правильно підключені та використовуються.** Використання таких пристроїв зменшує ризик виникнення небезпечних ситуацій, що пов'язані з потраплянням пилу.
4. **Використання та догляд за електричним інструментом**
- a. **Не використовуйте надмірні зусилля при роботі з інструментом. Використовуйте відповідний електричний інструмент для вашої задачі.** Правильно обраний інструмент виконає завдання краще та безпечніше за умов, для яких він був розроблений.
- b. **Не використовуйте інструмент, вмикач якого не вмикає та не вимикає його.** Будь-який електричний інструмент, який не може управлятися вмикачем, є небезпечним і має бути відремontований.
- c. **Відключіть вилку від джерела живлення перед тим, як робити будь-які налаштування, зміни додаткового обладнання чи перед зберіганням інструменту.** Ці профілактичні заходи зменшують ризик випадкового запуску електричного інструменту.
- d. **Бережіть вимкнені електричні інструменти від дітей та не дозволяйте особам, що не знайомі з електричним інструментом або цими інструкціями використовувати електричний інструмент.** Електричні інструменти є небезпечними, якщо вони використовуються некваліфікованими користувачами.
- e. **Технічне обслуговування електричних інструментів. Перевіряйте на відсутність вирівнювання або заїдання рухомих деталей, ушкоджених частин та інших умов, що можуть впливати на роботу електричного інструменту.** Якщо є ушкодження, відремontуйте електричний інструмент перед використанням. Багато нещасних випадків є результатом того, що інструмент не пройшов відповідного технічного обслуговування.
- f. **Тримайте ріжучі інструменти гострими та чистими.** Правильно доглянуті ріжучі інструменти з гострими ріжучими кромками мають меншу ймовірність заїдання, та ними легше керувати.
- g. **Використовуйте електричний інструмент, додаткові інструменти та деталі інструменту тощо у відповідності до цих інструкцій та**
- відповідно до даного типу електричних інструментів, зважаючи на умови використання та роботу, яка має бути виконана. Використання електричних інструментів не за призначенням може призвести до виникнення небезпечних ситуацій.
5. **Використання електроінструмента з живленням від акумулятора та догляд за ним**
- a. **Для зарядження акумулятора використовуйте тільки зарядний пристрій, рекомендований виробником.** Зарядний пристрій, який підходить до одного типу акумуляторів, може створити ризик пожежі при використанні з акумулятором іншого типу.
- b. **Використовуйте з електроінструментом виключно ті акумулятори, які призначені до застосування саме з ним.** Використання будь-яких інших акумуляторів може створити ризик травматизму та пожежі.
- c. **Поблизу акумулятора, який тимчасово не використовуються, не повинно бути сторонніх металевих предметів на зразок канцелярських скріпок, монет, ключів, цвяхів, гвинтів або інших дрібних виробів з металу, які можуть спричинити коротке замикання виводів акумулятора.** Коротке замикання виводів акумулятора може спричинити вибух або пожежу.
- d. **Уникайте контакту з рідиною, яка за невідповідних умов використання може витікати з акумулятора.** Якщо ця рідина випадково потрапила на шкіру, її необхідно змити водою. Якщо ця рідина потрапила в очі, необхідно звернутися до лікаря. Рідина, яка витікла з акумулятора, може спричинити подразнення та опіки.
6. **Обслуговування**
- a. **Надавайте електричний інструмент для обслуговування кваліфікованим спеціалістом з ремонту та використовуйте тільки ідентичні замінні деталі.** Це забезпечить безпеку електричного пристрою, що обслуговується.

Додаткові правила безпеки при використанні електроінструмента



Попередження! Додаткові вимоги техніки безпеки при використанні звичайного дрילה та дрילה з ударним механізмом

- Під час роботи з дрилем, який має ударний механізм, необхідно застосовувати засоби захисту органів слуху. Вплив шуму може спричинити втрату слуху.

- Використовуйте додаткові ручки, які входять до комплекту інструмента. Втрата контролю над інструментом може спричинити травми.
- При виконанні робіт, під час яких існує небезпека контакту ріжучих пругів свердла з прихованою електропроводкою або кабелем живлення самого інструмента, тримайте дріль тільки за призначені для цього місця з ізолюваною поверхнею. При контакті ріжучих пругів свердла з дротом, по якому протікає струм, металеві деталі дриллю можуть опинитися під напругою і спричинити ураження людини електричним струмом.
- При виконанні робіт з гвинтами або шурупами, під час яких існує небезпека контакту цих кріпильних деталей з прихованою електропроводкою, тримайте дріль тільки за призначені для цього місця з ізолюваною поверхнею. При контакті кріпильних деталей з дротом, по якому протікає струм, металеві деталі дриллю можуть опинитися під напругою і спричинити ураження людини електричним струмом.
- Деталь, яка обробляється, має бути зафіксована у лещатах або іншим відповідним способом закріплена на надійній основі. Утримування деталі, яка обробляється, рукою або притискання її до тіла є ненадійним і може призвести до неконтрольованої ситуації.
- Перед тим, як свердлити отвори у стінах, підлогах та стелі, перевірте відсутність електропроводки та труб.
- Не торкайтеся одразу після свердлення робочої частини свердла, тому що вона може мати високу температуру.
- Цей інструмент не призначений для використання особами з обмеженими фізичними можливостями (зокрема дітьми), а також особами з порушенням органів чуття, обмеженими розумовими здібностями, або такими, які мають недостатній досвід та знання, за винятком ситуацій, коли вони працюють під наглядом іншої особи, відповідальної за їхню безпеку, або отримали від такої особи відповідні інструкції щодо використання електроінструмента. Не дозволяйте дітям гратися з електроінструментом.
- У цьому посібнику користувача описані варіанти використання за призначенням. Недотримання рекомендацій цього посібника користувача під час використання аксесуарів, приладдя або виконання будь-якої роботи з цим інструментом може бути причиною травматизму та / або пошкодження майна.

Залишкові ризики

При використанні інструменту можуть виникнути додаткові залишкові ризики, які можуть бути не внесені до попереджень щодо техніки безпеки цього

керівництва. Ці ризики можуть виникнути як результат неправильного використання, тривалого використання, тощо.

Незважаючи на виконання всіх відповідних правил техніки безпеки та використання пристроїв безпеки, неможливо уникнути деяких залишкових ризиків. Сюди належать:

- Травми через контакт з деталями, що рухаються/обертаються.
- Травми при заміні деталей, пильних полотен або аксесуарів.
- Травми через занадто тривале використання інструменту. При використанні будь-якого інструменту протягом тривалого періоду часу не забувайте робити регулярні перерви.
- Порушення слуху.
- Небезпека для здоров'я через вдихання пилу, що утворюється при використанні інструменту (наприклад, при роботі з деревом, особливо з дубом, березою та ДВП)

Вібрація

Значення вібрації, вказані в технічних даних та в декларації про відповідність виміряні з дотриманням стандартних методів тестування, наданих в стандарті EN 60745, та їх можна використовувати для порівняння одного інструменту з іншим. Задекларовані значення вібрації можна також використовувати для попередньої оцінки впливу вібрації.

Попередження! Значення вібрації під час використання інструменту може відрізнятись від задекларованого в залежності від способів використання інструменту. Рівень вібрації може перевищувати вказані значення.

При оцінці впливу вібрації для визначення заходів безпеки за вимогами 2002/44/ЕС, щоб захистити людей, що регулярно використовують інструменти в роботі, необхідно враховувати реальні умови та способи використання інструменту, включаючи врахування всіх періодів робочого циклу, наприклад, часу, коли інструмент вимкнено та коли він знаходиться в режимі очікування, а також часу реальної роботи інструменту.

Позначки та написи на інструменті

На інструменті є подані нижче піктограми:



Попередження! Користувач має прочитати цей посібник, це сприяє зменшенню ризику травматизму.

Положення дати штрих-коду

Дата коду, який також включає рік виготовлення, друкується на корпусі.

Приклад:

2014 XX JN
Рік виготовлення

Додаткові інструкції з техніки безпеки при використанні акумуляторів та зарядних пристроїв

Акумулятори

- За будь-яких обставин забороняється здійснювати спроби відкрити акумулятор.
- Не допускайте контакту акумулятора з водою.
- Не тримайте акумулятори в місцях, де температура може перевищувати 40 °C.
- Під час зарядження акумулятора температура навколишнього середовища має бути від 10 °C до 40 °C.
- Для зарядження акумулятора використовуйте лише зарядний пристрій, який входить до комплекту інструмента.
- При утилізації акумуляторів дотримуйтесь інструкцій, наведених у розділі „Захист навколишнього середовища“.



Не намагайтеся заряджати пошкоджені акумулятори.

Зарядні пристрої

- Використовуйте зарядний пристрій лише для зарядки акумулятора, який встановлений у електроінструменті, до комплекту якого цей зарядний пристрій входить. Інші акумулятори можуть вибухнути, спричинивши травми та пошкодження.
- Ніколи не намагайтесь заряджати батареї одноразового використання.
- Пошкоджені кабелі живлення необхідно замінювати негайно.
- Не допускайте потрапляння води на зарядний пристрій.
- Не відкривайте зарядний пристрій.
- Не зондуйте зарядний пристрій.



Цей зарядний пристрій призначений лише для використання в приміщеннях.



Перед використанням прочитайте цей посібник користувача.



127°C

Зарядний пристрій автоматично відключається, якщо температура навколишнього середовища

стає занадто високою. Тепловий вимикач спрацює лише один раз, після чого його необхідно повністю замінити.

Електрична безпека



Цей інструмент має подвійну ізоляцію; тому заземлення не є необхідним. Завжди перевіряйте, що джерело живлення відповідає напрузі, яка вказана на табличці з паспортними даними.

- Якщо шнур живлення пошкоджений, його необхідно замінити у виробника або в офіційному сервісному центрі Stanley для уникнення небезпеки.

Деталі

Цей інструмент має деякі чи всі деталі з нижче вказаних. Мал. Обкладинка

1. Перемикач змінної швидкості або двошвидкісний перемикач Вкл./викл.
2. Перемикач вперед/назад
3. Селектор режиму / хомут налаштування обертаючого моменту
4. Затискний патрон
5. Перемикач швидкості
6. Тримач насадок
7. Батарей
8. Лампа освітлення робочої ділянки
9. Індикатор рівня зарядки батареї
10. Поясна кліпса – тримач інструменту

Мал. А

11. Зарядний пристрій
12. Індикатор зарядного пристрою

Зборка

Попередження! Перед зборкою витягніть батарею з інструменту.

Встановлення та видалення батареї (мал. В)

- Щоб встановити акумулятор (7), вирівняйте його по відсіку в інструменті. Вставте батарею у відсік та натисніть на неї, доки вона не встане на місце.
- Щоб витягнути акумулятор, натисніть на кнопку звільнення акумулятору (13), витягаючи при цьому акумулятор з відсіку.

Встановлення та знімання свердла або вставок викрутки (мал. Е)

Попередження! Спочатку вийміть батарею з інструменту. Цей інструмент оснащений затискним патроном, що не вимагає використання ключа, для простоти встановлення біт.

- Заблокуйте інструмент, встановивши перемикач вперед/назад (2) в центральну позицію.
- Відкрийте патрон (4), повертаючи його передню частину однією рукою та утримуючи задню частину другою рукою.
- Вставте хвостовик свердла в патрон (4). Добре затягніть патрон, повертаючи його передню частину однією рукою та утримуючи задню частину другою рукою.

Увага! Не форсуйте робочий процес. Уникайте перевантаження електроінструменту.

Увага! Перш ніж свердлити отвори в стінах, підлогах або стелях, перевірте наявність електропроводки і трубопроводів

Експлуатація Зарядка батареї

Батарею необхідно зарядити перед першим використанням та, коли інструмент надає недостатню потужності при виконанні завдань, які раніше виконувались легко. Батарея може стати теплою під час зарядки; це є нормою і не є показником проблеми.

Попередження! Не заряджайте батарею при температурі навколишнього середовища нижче 4 °C або вище 40 °C. Рекомендована температура зарядки: приблиз. 24 °C.

Використання зарядного пристрою

- Щоб зарядити акумулятор (7), витягніть його з інструменту та надіньте на нього гніздо зарядного пристрою (11).
- Ввімкніть зарядний пристрій в розетку.
- Час зарядки акумулятору становить 60 хвилин.
- Зарядний індикатор (12) буде спалахувати зеленим світлом (мигдаль). Процес зарядки буде закінчено, коли зарядний індикатор (12) буде горіти зеленим світлом постійно.
- Заряджайте зняті акумуляторні батареї у продовж 1 тижня. Строк праці акумулятору буде значно зменшена якщо акумулятор буде зберігатися в розрядженому стані. Зарядний пристрій та батарею можна залишити на любий час з світячи індикатором. Світлодіод може з часом змінювати інтенсивність (світити прямо чи мигати), оскільки зарядний пристрій інколи поповнює заряд батареї. Зарядний індикатор (12) буде світлитись, поки батарея встановлена у зарядний пристрій, а воно, у свою чергу, підключено до мережі.

Діагностика акумулятора за допомогою зарядного пристрою

Якщо зарядний пристрій виявить слабку або пошкоджену батарею, то зарядний індикатор (12) спалахне червоним світлом і блиматиме. В цьому випадку дійте таким чином:

- Переставте батарею (7).
- Якщо зарядний індикатор продовжує спалахувати червоним світлом, використовуйте іншу батарею, щоб визначити, чи працює зарядний пристрій належним чином.
- Якщо інша батарея заряджає правильно, перша батарея дефектна і має бути повернена в сервісний центр переробки.
- Якщо нова батарея дає ту ж саму ознаку як перша батарею, візьміть зарядний пристрій, який буде перевірено в уповноваженому сервісному центрі.

Примітка: може потрібно до 60 хвилин, щоб визначити, що батарея дефектна. Якщо батарея буде дуже гарячішою або дуже холодною, то світлодіод по черзі блиматиме червоним світлом (швидко / повільно).

Вибір напрямку обертання (мал. С)

Для свердління та закручування шурупів використовуйте обертання вперед (за годинниковою стрілкою). Для ослаблення шурупів та знімання затиснених свердел використовуйте зворотне (проти годинникової стрілки) обертання.

- Щоб обрати обертання вперед, натисніть на перемикач вперед/назад (2) вліво.
- Щоб обрати обертання назад, натисніть на перемикач вперед/назад вправо.
- Щоб заблокувати інструмент, пересуньте ручку перемикача в центральне положення.

Вибір режиму роботи або обертаючого моменту (мал. D)

Цей інструмент оснащено хомутом для вибору робочого режиму та встановлення обертаючого моменту для затягування гвинтів. Великі шурупи та тверді матеріали вимагають більшого обертаючого моменту, ніж малі шурупи та більш м'які матеріали. Хомут має широкий діапазон налаштувань для відповідності кожній задачі.

- Для свердління дерева, металу та пластмаси, встановіть хомут (3) в положення для свердління, вирівнявши символ з поміткою (14).
- Для використання викрутки встановіть хомут в бажане положення. Якщо ви не знаєте, яка настройка вам потрібна, зробіть наступне:

- Встановіть хомут (3) на найнижче значення обертаючого моменту.
- Закріпіть перший шуруп.
- Якщо ви почуєте тріск до отримання бажаного результату, зробіть значення обертаючого моменту більшим та продовжуйте закручувати шуруп. Повторюйте процедуру, доки ви не досягнете правильної настройки. Використовуйте цю настройку для інших шурупів.

Свердлення кам'яних або цегляних стін (мал. D та E)

- Для свердлення кам'яних або цегляних стін оберіть за допомогою втулки (3) режим ударного свердлення, розташувавши позначку проти стрілки.
- Перемістіть повзунковий ступінчастий перемикач швидкості обертання (5) в напрямку передньої частини інструмента (2-га передача).

Повзунковий ступінчастий перемикач швидкості обертання (мал. E)

- Для свердлення сталі та для роботи з викруткою встановіть повзунковий ступінчастий перемикач швидкості обертання (5) у заднє положення (1-ша передача).
- Для свердлення отворів у інших матеріалах крім сталі встановіть регулятор швидкості обертання (5) у переднє положення (2-га передача).

Свердлення / використання викрутки

- Встановіть необхідний напрямок обертання за допомогою повзункового перемикача (2).
- Щоб ввімкнути інструмент, натисніть на кнопку плавного регулювання швидкості обертання (1). Швидкість обертання регулюється силою тиску на кнопку.
- Щоб вимкнути інструмент, відпустіть кнопку плавного регулювання швидкості.

Робота з підсвіткою (світлодіод)

Світлодіодна підсвітка (8) активується автоматично, коли пускова кнопка є нажатою. Світлодіодна підсвітка почне світитися навіть коли пускова кнопка буде частково нажатою. Відключення підсвітки має відбуватися автоматично через деякий час після Отклучение подсветки произойдет автоматически через некоторое время после припинення натиснення на пускову клавішу.

Індикатор стану заряду

Інструмент оснащений індикатором стану заряду (9). Для його використання, в цілях, щоб показати поточний рівень звинувачення в батареї під час експлуатації, необхідно натискувати кнопку індикатора стану заряду.

Примітки для оптимального використання Свердління

- Завжди децю натискайте на інструмент, спрямовуючи силу по прямій лінії зі свердлом.
- Безпосередньо перед тим, як кінець свердла з'явиться з іншої сторони заготовки, зменшіть тиск на інструмент.
- Використовуйте дерев'яну планку для захисту заготовки, яка може розколотися.
- Використовуйте біти з долотоподібною голівкою при свердлінні отворів великого діаметру в дереві.
- Використовуйте біти зі швидкорізальної сталі для свердління металу.
- Використовуйте тонкостінні алмазні біти для свердління м'якої кам'яної кладки.
- Використовуйте мастила при свердлінні металів, крім чавуну та міді.
- Зробіть помітку, використовуючи кернер, біля центру отвору, що буде просвердлений, щоб поліпшити точність.

Використання викрутки

- Завжди використовуйте правильний тип та розмір викрутки-вставки.
- Якщо шурупи важко затягуються, спробуйте застосувати невелику кількість мючою рідини чи мила в якості мастила.
- Завжди тримайте інструмент та викруткувставку по прямій лінії з шурупом

Витратні матеріали

Продуктивність роботи інструменту залежить від витратних матеріалів, які Ви використовуєте. Витратні матеріали виробництва фірм STANLEY розроблені з дотриманням високих стандартів якості та створені для підвищення ефективності використання вашого інструменту. Використовуючи ці матеріали, Ви отримаєте максимум ефективності від вашого інструменту.

Технічне обслуговування

Дриль Stanley призначений для роботи протягом довгого часу з мінімальним обсягом технічного обслуговування.

Тривала нормальна робота інструмента залежить від правильного догляду за ним та очищення. Зарядний пристрій не вимагає технічного обслуговування, його лише необхідно регулярно очищувати.

Попередження! Перед виконанням будь-якого обслуговування необхідно виїняти з інструмента акумулятор. Перед очищенням зарядного пристрою його необхідно відключити від розетки.

- Регулярно очищуйте вентиляційні прорізи за допомогою м'якої щітки або сухої ганчірки. Регулярно очищуйте корпус електродвигуна вологою ганчіркою. Не використовуйте абразивні очищувачі та засоби, що містять розчинники.
- Регулярно відкривайте затискний патрон та струшуйте його, щоб видалити пил з середини.

Захист навколишнього середовища



Окреме збирання. Цей продукт не можна викидати разом зі звичайним побутовим сміттям.

Якщо якось ви вирішите, що ваш виріб фірми STANLEY має бути замінено, або він вам більше не потрібний, не викидайте його на смітник побутового сміття. Зробіть цей виріб доступним для спеціального збирання.

Окремий збір використаних виробів та упаковок дозволяє повторно переробляти та використовувати матеріали. Переробка повторно



використовуваних матеріалів допомагає

попередити забруднення навколишнього середовища та зменшує потребу в сировині.

Місцеві законодавчі акти можуть передбачати окремий збір електричного обладнання в муніципальних місцях для збору сміття або продавцями при покупці нового обладнання.

Компанія STANLEY має можливість для збору та переробки продуктів власного виробництва після закінчення їхнього терміну служби. Щоб скористатися цією послугою, поверніть виріб компанії в офіційний сервісний центр, які збирають відпрацьовані продукти за наш рахунок.

Ви можете знайти місцезнаходження найближчого до Вас сервісного центру, зв'язавшись з місцевим офісом компанії STANLEY за адресою, вказаною в цих інструкціях. Крім того, список офіційних сервісних центрів компанії STANLEY з усіма подробицями нашого післяпродажного обслуговування та контактною інформацією міститься в Інтернеті за адресою: www.2helpU.com

Технічні дані

		STDC18LHVK
Напруга	Впост. Струму	18
Швидкість обертання в режимі без навантаження		об. / хв. 0-400/0-1600
Макс. Крутильний момент		Нм 51.4
Найбільший діаметр свердла, яке можна затиснути у патроні		мм 13
Максимальна глибина свердління		
Деревина		мм 38
Сталь		мм 13
Бетон		мм 13
Вага		кг 1.34
Зарядний пристрій		
Вхідна напруга		Взмінн. струму 230
Вихідна напруга		Впост. струму 18
Струм		мА 2
Орієнтовний час зарядження		хвилин 60-120
Акумулятор		
Напруга		Впост. Струму 18
Ємність		Ампер-годин 2
Туре		Li-Ion

Два роки повної гарантії

Якщо ваш продукт STANLEY виходить з ладу із-за дефектних матеріалів або виготовлення впродовж 24 місяців з дати купівлі, STANLEY гарантує заміну усіх несправних деталей безкоштовно або - на власний розсуд - заміну продукту безкоштовно за умови, що:

- Продукт використовувався правильно, його експлуатація проводилася строго відповідно до інструкції з експлуатації.
- Продукт піддавався звичайному зносу;
- Ремонт не проводився сторонніми особами;
- Представлені документи, що підтверджують купівлю.
- Продукт STANLEY повертається в повному комплекті з усіма оригінальними компонентами

Якщо ви хочете зробити заявку, зв'яжіться з продавцем або з'ясуйте місце знаходження вашого найближчого авторизованого сервісного агента Stanley в каталозі Stanley або зверніться в місцеве представництво Stanley Black & Decker за адресою, вказаною в цьому посібнику. Список авторизованих сервісних агентів Stanley і повну інформацію про наше післяпродажне обслуговування можна знайти в Інтернеті за адресою: www.2helpu.com

STANLEY

Гарантійні умови

Шановний покупець!

1. Вітаємо Вас з покупкою високоякісного виробу STANLEY і висловлюємо вдячність за Ваш вибір.
2. При покупці виробу вимагайте перевірки його комплекtnості і справності у Вашій присутності, інструкцію з експлуатації та заповнений гарантійний талон українською мовою
В гарантійному талоні повинні бути внесені: модель, дата продажу, серійний номер, дата виробництва інструменту; назва, печатка і підпис торгової організації. За відсутності у Вас правильно заповненого гарантійного талону, а також при невідповідності зазначених у ньому даних ми будемо змушені відхилити Ваші претензії щодо якості даного виробу.
3. Щоб уникнути непорозуміння, переконливо просимо Вас перед початком роботи з виробом уважно ознайомитися з інструкцією з його експлуатації. Правовою основою справжніх гарантійних умов є чинне Законодавство. Гарантійний термін на даний виріб складає 24 місяці і обчислюється з дня продажу. У разі усунення недоліків виробу, гарантійний строк продовжується на період його перебування в ремонті. Термін служби виробу становить 5 років з дня продажу.
4. У разі виникнення будь-яких проблем у процесі експлуатації виробу рекомендуємо Вам звертатися тільки в уповноважені сервісні центри STANLEY, адреси та телефони яких Ви зможете знайти в гарантійному талоні, на сайті www.2helpU.com або дізнатися в магазині. Наші сервісні станції - це не тільки кваліфікований ремонт, але і широкий асортимент запчастин і аксесуарів.
5. Виробник рекомендує проводити періодичну перевірку і технічне обслуговування виробу в уповноважених сервісних центрах.
6. Наші гарантійні зобов'язання поширюються тільки на несправності, виявлені протягом гарантійного терміну і викликані дефектами виробництва та \ або матеріалів.
7. Гарантійні умови не поширюються на несправності виробу, що виникли в результаті:
 - 7.1 Недотримання користувачем приписів інструкції з експлуатації виробу, застосування виробу не за призначенням, неправильного зберігання, використання приладдя, витратних матеріалів і запчастин, що не передбачені виробником.
 - 7.2 Механічного пошкодження (відколи, тріщини і руйнування) внутрішніх і зовнішніх деталей виробу, основних і допоміжних рукояток, мережевого кабелю, що викликані зовнішнім ударним або будь-яким іншим впливом

- 7.3 Потрапляння у вентиляційні отвори та проникнення всередину виробу сторонніх предметів, матеріалів або речовин, що не є відходами, які супроводжують застосування виробу за призначенням, такими як: стружка, тирса, пісок, та ін.
- 7.4 Впливу на виріб несприятливих атмосферних і інших зовнішніх факторів, таких як дощ, сніг, підвищена вологість, нагрівання, агресивні середовища, невідповідність параметрів електромережі, що зазначені на інструменті.
- 7.5 Стихійного лиха. Пошкодження або втрати виробу, що пов'язані з непередбаченими лихами, стихійними явищами, у тому числі внаслідок дії непереборної сили (пожежа, блискавка, потоп і інші природні явища), а також внаслідок перепадів напруги в електромережі та іншими причинами, які знаходяться поза контролем виробника.
8. Гарантійні умови не поширюються:
 - 8.1 На інструменти, що піддавались розкриттю, ремонту або модифікації поза уповноваженим сервісним центром.
 - 8.2 На деталі, вузли та матеріали, що мають сліди природного зносу, такі як: приводні ремені і колеса, вугільні шітки, мастило, підшипники, зубчасті зчеплення редукторів, гумові ущільнення, сальники, направляючі ролики, муфти, вимикачі, бойки, штовхачі, стволи тощо.
 - 8.3 На змінні частини: патрони, цанги, затискні гайки і фланці, фільтри, акумуляторні батареї, ножі, шліфувальні підшви, ланцюги, зірочки, пильні шини, захисні кожухи, пилки, абразиви, пильні і абразивні диски, фрези, свердла, бури тощо
 - 8.4 На несправності, що виникли в результаті переваантаження інструменту (як механічного, так і електричного), що спричинили вихід з ладу одночасно двох і більше деталей і вузлів, таких як: ротора і статора, обох обмоток статора, веденої і ведучої шестерень редуктора або інших вузлів і деталей. До безумовних ознак переваантаження виробу відносяться, крім інших: поява кольорів мінливості, деформація або оплавлення деталей і вузлів виробу, потемніння або обвуглювання ізоляції проводів електродвигуна під впливом високої температури.



Виробник:
"Stanley Black & Decker Deutschland GmbH" Black-&-Decker Str.40, D-65510 Idstein, Німеччина

