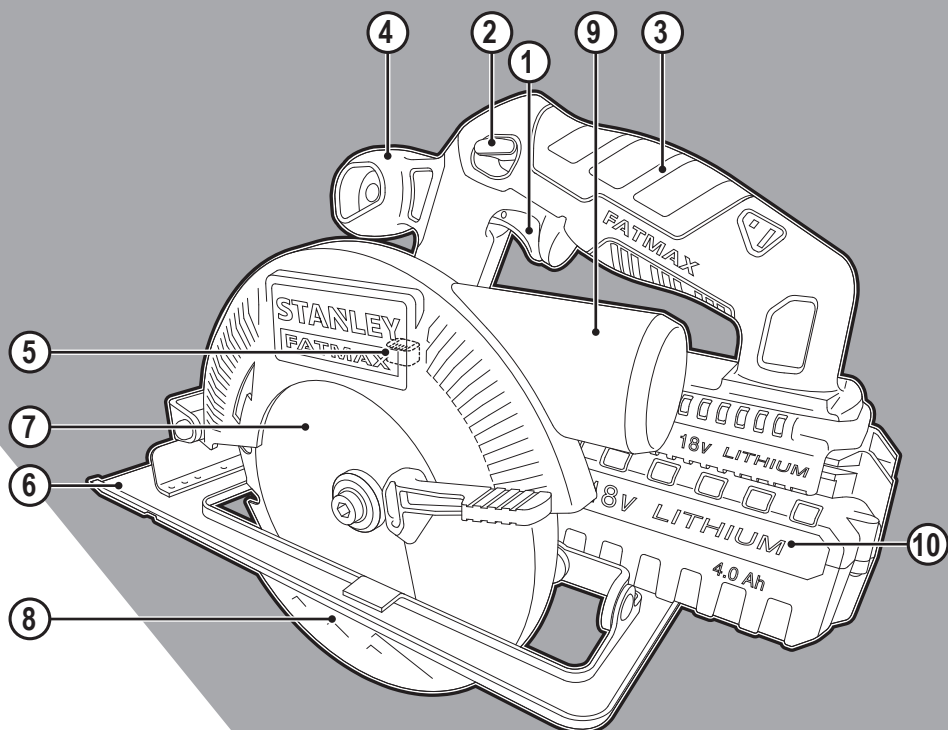


STANLEY®

FATMAX®



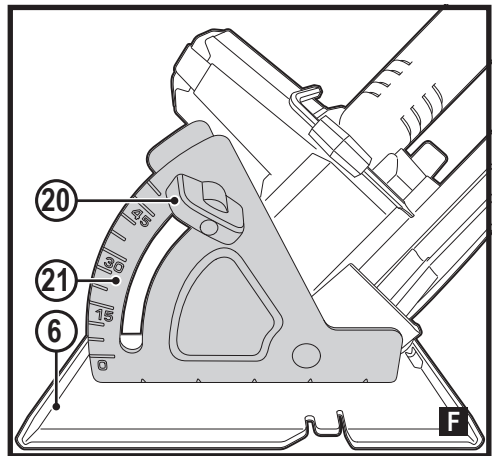
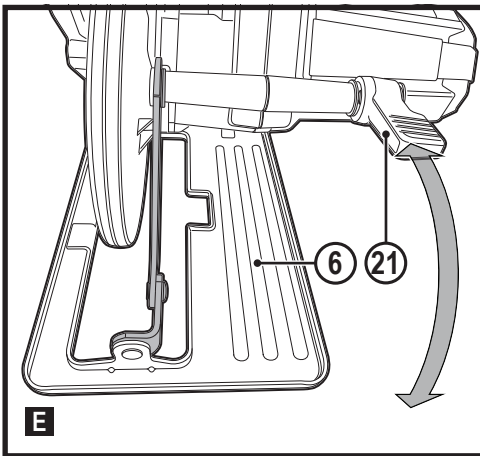
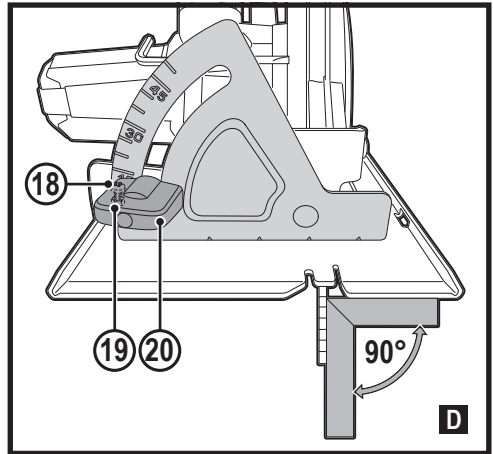
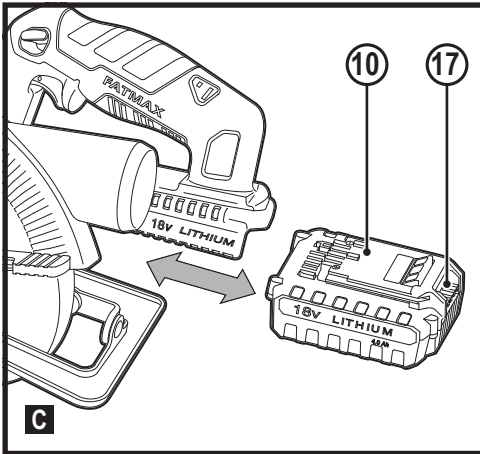
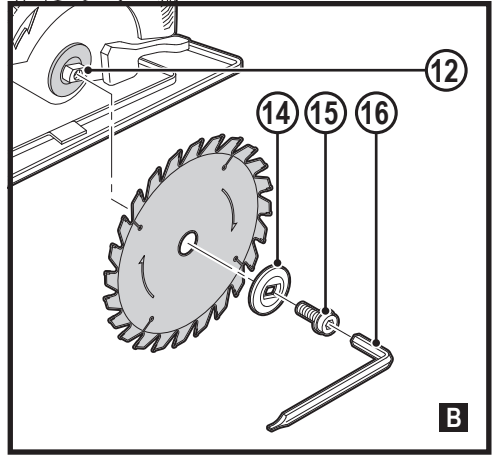
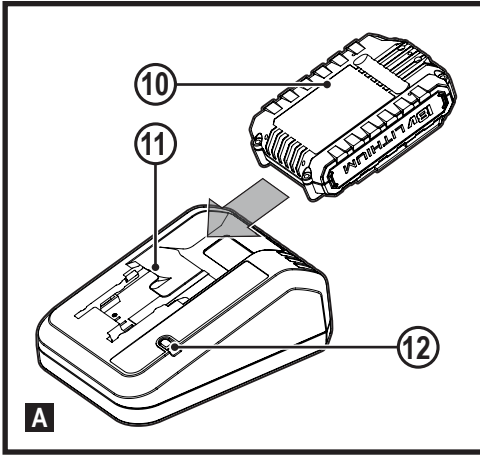
www.stanley.eu

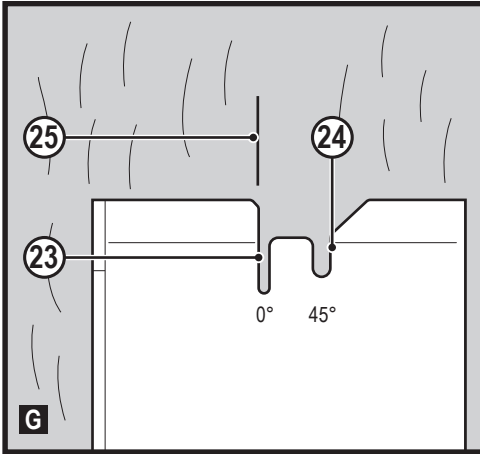
FMC660

English (***original instructions***) 4

Русский (*перевод с оригинала инструкции*) 11

Українська (*переклад з оригінальної інструкції*) 22





- c. **Do not expose power tools to rain or wet conditions.** Water entering a power tool will increase the risk of electric shock.
- d. **Do not abuse the cord. Never use the cord for carrying, pulling or unplugging the power tool. Keep cord away from heat, oil, sharp edges or moving parts.** Damaged or entangled cords increase the risk of electric shock.
- e. **When operating a power tool outdoors, use an extension cord suitable for outdoor use.** Use of a cord suitable for outdoor use reduces the risk of electric shock.
- f. **If operating a power tool in a damp location is unavoidable, use a residual current device (RCD) protected supply.** Use of an RCD reduces the risk of electric shock.

3. Personal safety

- a. **Stay alert, watch what you are doing and use common sense when operating a power tool. Do not use a power tool while you are tired or under the influence of drugs, alcohol or medication.** A moment of inattention while operating power tools may result in serious personal injury.
 - b. **Use personal protective equipment. Always wear eye protection.** Protective equipment such as dust mask, non-skid safety shoes, hard hat, or hearing protection used for appropriate conditions will reduce personal injuries.
 - c. **Prevent unintentional starting. Ensure the switch is in the off-position before connecting to power source and/or battery pack, picking up or carrying the tool.** Carrying power tools with your finger on the switch or energising power tools that have the switch on invites accidents.
 - d. **Remove any adjusting key or wrench before turning the power tool on.** A wrench or a key left attached to a rotating part of the power tool may result in personal injury.
 - e. **Do not overreach. Keep proper footing and balance at all times.** This enables better control of the power tool in unexpected situations.
 - f. **Dress properly. Do not wear loose clothing or jewellery. Keep your hair, clothing and gloves away from moving parts.** Loose clothes, jewellery or long hair can be caught in moving parts.
 - g. **If devices are provided for the connection of dust extraction and collection facilities, ensure these are connected and properly used.** Use of dust collection can reduce dust-related hazards.
- ### 4. Power tool use and care
- a. **Do not force the power tool. Use the correct power tool for your application.** The correct power tool will do the job better and safer at the rate for which it was designed.

Intended use

Your STANLEY FATMAX FMC660 saw has been designed for sawing wood and wood products. This tool is intended for professional and private, non professional users.

Safety instructions

General power tool safety warnings



Warning! Read all safety warnings and all instructions. Failure to follow the warnings and instructions listed below may result in electric shock, fire and/or serious injury.

Save all warnings and instructions for future reference.

The term "power tool" in all of the warnings listed below refers to your mains operated (corded) power tool or battery operated (cordless) power tool.

1. Work area safety

- a. **Keep work area clean and well lit.** Cluttered or dark areas invite accidents.
- b. **Do not operate power tools in explosive atmospheres, such as in the presence of flammable liquids, gases or dust.** Power tools create sparks which may ignite the dust or fumes.
- c. **Keep children and bystanders away while operating a power tool.** Distractions can cause you to lose control.

2. Electrical safety

- a. **Power tool plugs must match the outlet. Never modify the plug in any way. Do not use any adapter plugs with earthed (grounded) power tools.** Unmodified plugs and matching outlets will reduce risk of electric shock.
- b. **Avoid body contact with earthed or grounded surfaces such as pipes, radiators, ranges and refrigerators.** There is an increased risk of electric shock if your body is earthed or grounded.

- b. **Do not use the power tool if the switch does not turn it on and off.** Any power tool that cannot be controlled with the switch is dangerous and must be repaired.
 - c. **Disconnect the plug from the power source and/or the battery pack from the power tool before making any adjustments, changing accessories, or storing power tools.** Such preventive safety measures reduce the risk of starting the power tool accidentally.
 - d. **Store idle power tools out of the reach of children and do not allow persons unfamiliar with the power tool or these instructions to operate the power tool.** Power tools are dangerous in the hands of untrained users.
 - e. **Maintain power tools.** Check for misalignment or binding of moving parts, breakage of parts and any other condition that may affect the power tools operation. If damaged, have the power tool repaired before use. Many accidents are caused by poorly maintained power tools.
 - f. **Keep cutting tools sharp and clean.** Properly maintained cutting tools with sharp cutting edges are less likely to bind and are easier to control.
 - g. **Use the power tool, accessories and tool bits etc. in accordance with these instructions, taking into account the working conditions and the work to be performed.** Use of the power tool for operations different from those intended could result in a hazardous situation.
5. **Battery tool use and care**
 - a. **Recharge only with the charger specified by the manufacturer.** A charger that is suitable for one type of battery pack may create a risk of fire when used with another battery pack.
 - b. **Use power tools only with specifically designated battery packs.** Use of any other battery packs may create a risk of injury and fire.
 - c. **When battery pack is not in use, keep it away from other metal objects, like paper clips, coins, keys, nails, screws, or other small metal objects, that can make a connection from one terminal to another.** Shorting the battery terminals together may cause burns or a fire.
 - d. **Under abusive conditions, liquid may be ejected from the battery; avoid contact. If contact accidentally occurs, flush with water. If liquid contacts eyes, additionally seek medical help.** Liquid ejected from the battery may cause irritation or burns.
 6. **Service**
 - a. **Have your power tool serviced by a qualified repair person using only identical replacement parts.** This will ensure that the safety of the power tool is maintained.

Additional power tool safety warnings



Warning! Additional safety warnings all saws

Cutting procedures

- a. **DANGER! Keep hands away from cutting area and the blade. Keep your second hand on auxiliary handle, or motor housing. If both hands are holding the saw, they cannot be cut by the blade.**
- b. **Do not reach underneath the workpiece.** The guard cannot protect you from the blade below the workpiece.
- c. **Adjust the cutting depth to the thickness of the workpiece.** Less than a full tooth of the blade teeth should be visible below the workpiece.
- d. **Never hold piece being cut in your hands or across your leg. Secure the workpiece to a stable platform.** It is important to support the work properly to minimize body exposure, blade binding, or loss of control.
- e. **Hold the power tool by insulated gripping surfaces only, when performing an operation where the cutting tool may contact hidden wiring.** Contact with a "live" wire will also make exposed metal parts of the power tool "live" and could give the operator an electric shock.
- f. **When ripping, always use a rip fence or straight edge guide.** This improves the accuracy of cut and reduces the chance of blade binding.
- g. **Always use blades with correct size and shape (diamond versus round) of arbour holes.** Blades that do not match the mounting hardware of the saw will run eccentrically, causing loss of control.
- h. **Never use damaged or incorrect blade washers or bolt.** The blade washers and bolt were specially designed for your saw, for optimum performance and safety of operation.

Further safety instructions for all saws

Kickback causes and related warnings

- ◆ kickback is a sudden reaction to a pinched, bound or misaligned saw blade, causing an uncontrolled saw to lift up and out of the workpiece toward the operator;
- ◆ when the blade is pinched or bound tightly by the kerf closing down, the blade stalls and the motor reaction drives the unit rapidly back toward the operator;
- ◆ if the blade becomes twisted or misaligned in the cut, the teeth at the back edge of the blade can dig into the top surface of the wood causing the blade to climb out of the kerf and jump back toward the operator.

Kickback is the result of saw misuse and/or incorrect operating procedures or conditions and can be avoided by taking proper precautions as given below.

- a. **Maintain a firm grip with both hands on the saw and position your arms to resist kickback forces. Position your body to either side of the blade, but not in line with the blade.** Kickback could cause the saw to jump backwards, but kickback forces can be controlled by the operator, if proper precautions are taken.
- b. **When blade is binding, or when interrupting a cut for any reason, release the trigger and hold the saw motionless in the material until the blade comes to a complete stop. Never attempt to remove the saw from the work or pull the saw backward while the blade is in motion or kickback may occur.** Investigate and take corrective actions to eliminate the cause of blade binding.
- c. **When restarting a saw in the workpiece, centre the saw blade in the kerf and check that saw teeth are not engaged into the material.** If saw blade is binding, it may walk up or kickback from the workpiece as the saw is restarted.
- d. **Support large panels to minimise the risk of blade pinching and kickback.** Large panels tend to sag under their own weight. Supports must be placed under the panel on both sides, near the line of cut and near the edge of the panel.
- e. **Do not use dull or damaged blades.** Unsharpened or improperly set blades produce narrow kerf causing excessive friction, blade binding and kickback.
- f. **Blade depth and bevel adjusting locking levers must be tight and secure before making cut.** If blade adjustment shifts while cutting, it may cause binding and kickback.
- g. **Use extra caution when sawing into existing walls or other blind areas.** The protruding blade may cut objects that can cause kickback.

Lower guard function

- a. **Check lower guard for proper closing before each use. Do not operate the saw if lower guard does not move freely and close instantly. Never clamp or tie the lower guard into the open position.** If saw is accidentally dropped, lower guard may be bent. Raise the lower guard with the retracting handle and make sure it moves freely and does not touch the blade or any other part, in all angles and depths of cut.
- b. **Check the operation of the lower guard spring. If the guard and the spring are not operating properly, they must be serviced before use.** Lower guard may operate sluggishly due to damaged parts, gummy deposits, or a build-up of debris.
- c. **Lower guard may be retracted manually only for special cuts such as "plunge cuts" and "compound cuts".** Raise lower guard by retracting handle and as soon as blade enters the material, the lower guard must be released.

For all other sawing, the lower guard should operate automatically.

- d. **Always observe that the lower guard is covering the blade before placing saw down on bench or floor.** An unprotected, coasting blade will cause the saw to walk backwards, cutting whatever is in its path. Be aware of the time it takes for the blade to stop after switch is released.

Residual risks

Additional residual risks may arise when using the tool which may not be included in the enclosed safety warnings. These risks can arise from misuse, prolonged use etc.

Even with the application of the relevant safety regulations and the implementation of safety devices, certain residual risks can not be avoided. These include:

- ◆ Injuries caused by touching any rotating/moving parts.
- ◆ Injuries caused when changing any parts, blades or accessories.
- ◆ Injuries caused by prolonged use of a tool. When using any tool for prolonged periods ensure you take regular breaks.
- ◆ Impairment of hearing.
- ◆ Health hazards caused by breathing dust developed when using your tool (example:- working with wood, especially oak, beech and MDF.)

Saw blades

- ◆ Do not use blades of larger or smaller diameter than recommended. For the proper blade rating refer to the technical data. Use only the blades specified in this manual, complying with EN 847-1.
- ◆ **Warning!** Never use abrasive wheels

Safety of others

- ◆ This appliance is not intended for use by persons (including children) with reduced physical, sensory or mental capabilities, or lack of experience and knowledge, unless they have been given supervision or instruction concerning use of the appliance by a person responsible for their safety.
- ◆ Children should be supervised to ensure that they do not play with the appliance.

Vibration

The declared vibration emission values stated in the technical data and the declaration of conformity have been measured in accordance with a standard test method provided by EN 60745 and may be used for comparing one tool with another. The declared vibration emission value may also be used in a preliminary assessment of exposure.

Warning! The vibration emission value during actual use of the power tool can differ from the declared value depending on the ways in which the tool is used.

The vibration level may increase above the level stated. When assessing vibration exposure to determine safety measures required by 2002/44/EC to protect persons regularly using power tools in employment, an estimation of vibration exposure should consider, the actual conditions of use and the way the tool is used, including taking account of all parts of the operating cycle such as the times when the tool is switched off and when it is running idle in addition to the trigger time.

Labels on tool

The following symbols are shown on the tool along with the date code:



Warning! To reduce the risk of injury, the user must read the instruction manual.

Additional safety instructions for batteries and chargers

Batteries

- ◆ Never attempt to open for any reason.
- ◆ Do not expose the battery to water.
- ◆ Do not store in locations where the temperature may exceed 40 °C.
- ◆ Charge only at ambient temperatures between 10 °C and 40 °C.
- ◆ Charge only using the charger provided with the tool.
- ◆ When disposing of batteries, follow the instructions given in the section "Protecting the environment".



Do not attempt to charge damaged batteries.

Chargers

- ◆ Use your Stanley Fatmax charger only to charge the battery in the tool with which it was supplied. Other batteries could burst, causing personal injury and damage.
- ◆ Never attempt to charge non-rechargeable batteries.
- ◆ Have defective cords replaced immediately.
- ◆ Do not expose the charger to water.
- ◆ Do not open the charger.
- ◆ Do not probe the charger.



The charger is intended for indoor use only.



Read the instruction manual before use.

Electrical safety



Your charger is double insulated; therefore no earth wire is required. Always check that the mains voltage corresponds to the voltage on the rating plate. Never attempt to replace the charger unit with a regular mains plug.

- ◆ If the supply cord is damaged, it must be replaced by the manufacturer or an authorised STANLEY FATMAX Service Centre in order to avoid a hazard.

Features

This tool includes some or all of the following features.

1. On/off switch
2. Lock-off button
3. Main handle
4. Secondary handle
5. Spindle lock button
6. Shoe
7. Saw blade
8. Saw blade guard
9. Saw dust outlet
10. Battery
11. Charger

Assembly

Warning! Before assembly, remove the battery from the tool and make sure that the saw blade has stopped. Used saw blades may be hot.

Removing and fitting a saw blade (fig. B)

Removing

- ◆ Keep the spindle lock button (5) depressed and rotate the blade until the spindle lock engages.
- ◆ Loosen and remove the blade retaining screw (15) by turning it clockwise using the Allen key (16) supplied.
- ◆ Remove the outer washer (14).
- ◆ Remove the saw blade (7).

Fitting

- ◆ Place the saw blade onto the inner flange (13), making sure that the arrow on the blade points in the same direction as the arrow on the tool.
- ◆ Fit the outer washer (14) on the spindle, with the raised part pointing away from the saw blade.
- ◆ Insert the blade retaining screw (15) into the hole.
- ◆ Keep the spindle lock button (5) depressed.
- ◆ Securely tighten the blade retaining screw by turning it counterclockwise using the Allen key (16) supplied.

Fitting and removing the battery (fig. C)

- ◆ To fit the battery (10), line it up with the receptacle on the tool. Slide the battery into the receptacle and push until the battery snaps into place.
- ◆ To remove the battery, push the release buttons (17) while at the same time pulling the battery out of the receptacle.

Use

Warning! Let the tool work at its own pace. Do not overload. This tool can be used in the right hand or the left hand.

Charging the battery (fig. A)

The battery needs to be charged before first use and whenever it fails to produce sufficient power on jobs that were easily done before. The battery may become warm while charging; this is normal and does not indicate a problem.

Warning! Do not charge the battery at ambient temperatures below 10 °C or above 40 °C. Recommended charging temperature: approx. 24 °C.

Note: The charger will not charge a battery if the cell temperature is below approximately 10 °C or above 40 °C.

The battery should be left in the charger and the charger will begin to charge automatically when the cell temperature warms up or cools down.

- ◆ To charge the battery (10), insert it into the charger (11). The battery will only fit into the charger in one way. Do not force. Be sure that the battery is fully seated in the charger.
- ◆ Plug in the charger and switch on at the mains.

The charging indicator (12) will blink.

The charge is complete when the charging indicator (12) switches to continuously on. The charger and the battery can be left connected indefinitely. The LED will switch on as the charger occasionally tops up the battery charge.

- ◆ Charge discharged batteries within 1 week. Battery life will be greatly diminished if stored in a discharged state.

Leaving the battery in the charger

The charger and battery pack can be left connected with the LED glowing indefinitely. The charger will keep the battery pack fresh and fully charged.

Charger diagnostics

If the charger detects a weak or damaged battery, the charging indicator (12) will flash red at a fast rate. Proceed as follows:

- ◆ Re-insert the battery (10).
- ◆ If the charging indicators continues flashing red at a fast rate, use a different battery to determine if the charging process works properly.
- ◆ If the replaced battery charges correctly, the original battery is defective and should be returned to a service centre for recycling.
- ◆ If the new battery gives the same indication as the original battery, take the charger to be tested at an authorised services centre.

Note: It may take as long as 30 minutes to determine that the battery is defective. If the battery is too hot or too cold, the LED will alternately blink red, fast and slow, one flash at each speed and repeat.

Adjusting the sawing angle (fig. D)

Use a square to check that the angle between the saw blade and the shoe is 90°. If the angle does not measure 90° adjust as follows:

- ◆ Loosen the locking knob (20) to unlock the saw shoe.
- ◆ Loosen the locknut (19) on the adjusting screw (18).
- ◆ Screw the adjusting screw in or out to achieve a 90° angle.
- ◆ Retighten the locknut.
- ◆ Tighten the locking knob to lock the saw shoe in place.

Adjusting the depth of cut (fig. E)

The depth of cut should be set according to the thickness of the workpiece. It should exceed the thickness by approx. 2 mm.

- ◆ Loosen the knob (21) to unlock the saw shoe.
- ◆ Move the saw shoe (6) into the desired position.
- ◆ Tighten the knob to lock the saw shoe in place.

Adjusting the bevel angle (fig. F)

This tool can be set to bevel angles between 0° and 45°.

- ◆ Loosen the locking knob (20) to unlock the saw shoe.
- ◆ Move the saw shoe (6) into the desired position. The corresponding bevel angle can be read from the scale (22).
- ◆ Tighten the locking knob to lock the saw shoe in place.

Switching on and off

- ◆ To switch the tool on, press down the lock-off button (2) and squeeze the on/off switch (1).
- ◆ To switch the tool off, release the on/off switch.

Sawing

Always hold the tool with both hands.

- ◆ Let the blade run freely for a few seconds before starting the cut.
- ◆ Apply only a gentle pressure to the tool while performing the cut.
- ◆ Work with the shoe pressed against the workpiece.

Note: Take care not to allow the blade tips to overheat.

Using the sight guide (fig. G)

The tool is equipped with a sight guide for straight cutting (23) and for 45° bevel cutting (24).

- ◆ Align the left edge of the guides (23) or (24) with the cutting line (25).
- ◆ Keep the sight guide aligned with the cutting line while sawing.
- ◆ Work with the shoe pressed against the workpiece.

Dust extraction

An adaptor is required to connect a vacuum cleaner or dust extractor to the tool.

- ◆ Insert the dust extraction adaptor into the saw dust outlet (9).
- ◆ Connect the vacuum cleaner hose to the adaptor.

Hints for optimum use

- ◆ Always use the appropriate type of saw blade for the workpiece material and type of cut.
- ◆ Always hold the tool with both hands.

- ◆ Let the blade run freely for a few seconds before starting the cut.
- ◆ Apply only a gentle pressure to the tool while performing the cut.
- ◆ Work with the shoe pressed against the workpiece.
- ◆ As some splintering along the line of cut on the top side of the workpiece cannot be avoided, cut on the side where splintering is acceptable.
- ◆ Where splintering is to be minimised, e.g. when cutting laminates, clamp a piece of plywood onto the top of the workpiece.
- ◆ Support large panels to minimize the risk of blade pinching and kickback. Large panels tend to sag under their own weight.
- ◆ Supports must be placed under the panel on both sides, near the line of cut and near the edge of the panel being cut.
- ◆ Never hold piece being cut in your hands or across your leg.
- ◆ Secure the workpiece to a stable platform using clamps. It is important to support the work properly to minimize body exposure, blade binding, or loss of control.

Accessories

The performance of your tool depends on the accessory used. Stanley Fat Max accessories are engineered to high quality standards and designed to enhance the performance of your tool. By using these accessories you will get the very best from your tool.

Maintenance

Your tool has been designed to operate over a long period of time with a minimum of maintenance. Continuous satisfactory operation depends upon proper tool care and regular cleaning.

Warning! Before performing any maintenance, switch off and unplug the tool.

- ◆ Regularly clean the ventilation slots in your tool and charger using a soft brush or dry cloth.
- ◆ Regularly clean the motor housing using a damp cloth. Do not use any abrasive or solvent-based cleaner.

Mains plug replacement (U.K. & Ireland only)

If a new mains plug needs to be fitted:

- ◆ Safely dispose of the old plug.
- ◆ Connect the brown lead to the live terminal in the new plug.
- ◆ Connect the blue lead to the neutral terminal.

Warning! No connection is to be made to the earth terminal. Follow the fitting instructions supplied with good quality plugs. Recommended fuse: 5 A.

Protecting the environment



Separate collection. Products and batteries marked with this symbol must not be disposed of with normal household waste.

Products and batteries contain materials that can be recovered or recycled reducing the demand for raw materials. Please recycle electrical products and batteries according to local provisions. Further information is available at www.2helpU.com

Technical data

| | | FMC660 (Type 1) |
|-------------------------------|-------------------|-----------------|
| Input Voltage | V _{dc} | 18 |
| No-load speed | min ⁻¹ | 0 - 4000 |
| Max depth of cut | mm | 54 |
| Max depth of cut at 45° bevel | mm | 45 |
| Blade diameter | mm | 165 |
| Blade bore | mm | 16 |
| Blade tip width | mm | 2.0 |
| Weight | kg | 3.4 |

| | | 905765** typ. 1 |
|---------------------|-----------------|-----------------|
| Input Voltage | V _{AC} | 220 - 240 |
| Output Voltage | V _{DC} | 20 (Max) |
| Current | A | 2 |
| Approx. charge time | min | 120 |

| | | FMC688L |
|----------|-----------------|---------|
| Voltage | V _{dc} | 18 |
| Capacity | Ah | 4.0 |
| Type | | Li-Ion |

| |
|--|
| L _{PA} (sound pressure) 79 dB(A), Uncertainty (K) 3 dB(A) |
| L _{WA} (sound power) 90 dB(A), Uncertainty (K) 3 dB(A) |
| Vibration total values (triaux vector sum) according to EN 60745: |
| Cutting wood (a _{h,W}) 2.4 m/s ² , uncertainty (K) 1.5 m/s ² |

EC declaration of conformity

MACHINERY DIRECTIVE



Cordless Jigsaw - FMC650

Stanley Europe declares that these products described under "technical data" are in compliance with:
2006/42/EC, EN 60745-1, EN 60745-2-11
These products also comply with Directive 2004/108/EC and 2011/65/EU. For more information, please contact Stanley Europe at the following address or refer to the back of the manual.

The undersigned is responsible for compilation of the technical file and makes this declaration on behalf of Stanley Europe.



Ed Higgins
Director – Consumer Power Tools
Stanley Europe, Egide Walschaertsstraat14-18,
2800 Mechelen, Belgium
19/05/2020

Guarantee

Stanley Europe is confident of the quality of its products and offers consumers a 12 month guarantee from the date of purchase. This guarantee is in addition to and in no way prejudices your statutory rights. The guarantee is valid within the territories of the Member States of the European Union and the European Free Trade Area.

To claim on the guarantee, the claim must be in accordance with STANLEY FATMAX Terms and Conditions and you will need to submit proof of purchase to the seller or an authorised repair agent. Terms and conditions of the Stanley Europe 1 year guarantee and the location of your nearest authorised repair agent can be obtained on the Internet at www.2helpU.com, or by contacting your local Stanley Europe office at the address indicated in this manual.

Please visit our website www.stanley.eu/3 to register your new STANLEY FATMAX product and receive updates on new products and special offers.

Назначение

Дисковая пила STANLEY FATMAX FMC660 предназначена для пиления древесины и изделий из древесины. Данный инструмент предназначен для профессионального использования, а также для бытового использования частными пользователями.

Правила техники безопасности

Общие правила безопасности при работе с электроинструментом



Внимание! Полностью прочтите инструкции по технике безопасности и все руководства по эксплуатации. Несоблюдение представленных ниже предупреждений и инструкций может привести к поражению электрическим током, возгоранию и/или тяжелым травмам.

Сохраните все инструкции для последующего обращения к ним. Термин «электроинструмент» во всех приведенных ниже предупреждениях относится к питаемому от электросети (проводному) или от аккумуляторных батарей (беспроводному) электроинструменту.

1. **Безопасность на рабочем месте**
 - a. **Содержите рабочее место в чистоте и обеспечьте его хорошую освещенность.** Плохое освещение или беспорядок на рабочем месте может привести к несчастному случаю.
 - b. **Не используйте электроинструмент во взрывоопасной атмосфере, например, при наличии горючих жидкостей, газов или пыли.** Искры, которые появляются при работе электроинструмента, могут привести к воспламенению пыли или паров.
 - c. **Не разрешайте детям и посторонним лицам находиться рядом с вами при работе с электроинструментом.** Отвлекаясь от работы, вы можете потерять контроль над инструментом.
 2. **Электробезопасность**
 - a. **Сетевые вилки электроинструмента должны соответствовать розеткам. Никогда не меняйте вилку инструмента. Запрещается использовать переходники к вилкам для электроинструментов с заземлением.** Использование оригинальных штепсельных вилок, соответствующих типу сетевой розетки, снижает риск поражения электрическим током.
 - b. **Следует избегать контакта с заземленными поверхностями, такими как трубы, радиаторы, батареи и холодильники.** Если вы будете заземлены, увеличивается риск поражения электрическим током.
 - c. **Не допускайте нахождения электроинструментов под дождем или в условиях повышенной влажности.** При попадании воды в электроинструмент риск поражения электротоком возрастает.
 - d. **Бережно обращайтесь с кабелем питания. Никогда не используйте кабель для переноски инструмента, не тяните за него, пытайтесь отключить инструмент от сети.** Держите кабель подальше от источников тепла, масла, острых углов или движущихся предметов. Поврежденный или запутанный кабель питания повышает риск поражения электротоком.
 - e. **При работе с электроинструментом вне помещения необходимо пользоваться удлинителем, соответствующим условиям.** Использование кабеля питания, предназначенного для использования вне помещения, снижает риск поражения электрическим током.
 - f. **При необходимости эксплуатации электроинструмента в местах с повышенной влажностью используйте устройство защиты от токов замыкания на землю (УЗО).** Использование УЗО сокращает риск поражения электрическим током.
3. **Обеспечение индивидуальной безопасности**
 - a. **При работе с электроинструментом сохраняйте бдительность, следите за своими действиями и пользуйтесь здравым смыслом. Не работайте с электроинструментом, если вы устали, находитесь в состоянии наркотического, алкогольного опьянения или под воздействием лекарственных препаратов.** Невнимательность при работе с электроинструментом может привести к серьезным телесным повреждениям.
 - b. **Используйте средства индивидуальной защиты. Всегда используйте защитные очки.** Средства защиты, такие как пылезащитная маска, обувь на нескользящей подошве, каска и защитные наушники, используемые при работе, уменьшают риск получения травм.
 - c. **Примите меры для предотвращения случайного включения. Перед тем как подключить электроинструмент к сети и/или аккумуляторной батарее, возьмите инструмент или перенесите его на другое место, убедитесь в том, что выключатель находится в положении «Выкл.».** Если при переноске электроинструмента он подключен к сети, и при этом ваш палец находится на выключателе, это может стать причиной несчастных случаев.
 - d. **Уберите все регулировочные или гаечные ключи перед включением электроинструмента.** Ключ, оставленный на вращающейся части

электроинструмента, может привести к травме.

- e. Не пытайтесь дотянуться до слишком удаленных поверхностей. Всегда твердо стойте на ногах, сохраняя равновесие. Это позволит лучше контролировать электроинструмент в непредвиденных ситуациях.
 - f. Надевайте подходящую одежду. Избегайте носить свободную одежду и ювелирные украшения. Следите за тем, чтобы волосы, одежда и перчатки не попадали под движущиеся детали. Возможно наматывание свободной одежды, ювелирных изделий и длинных волос на движущиеся детали.
 - g. При наличии устройств для подключения оборудования для удаления и сбора пыли необходимо обеспечить правильность их подключения и эксплуатации. Использование устройства для пылеудаления сокращает риски, связанные с пылью.
- 4. Эксплуатация электроинструмента и уход за ним**
- a. Избегайте чрезмерной нагрузки электроинструмента. Используйте электроинструмент в соответствии с назначением. Правильно подобранный электроинструмент выполнит работу более эффективно и безопасно при стандартной нагрузке.
 - b. Не используйте электроинструмент, если не работает его выключатель. Любой электроинструмент, управлять выключением и включением которого невозможно, опасен, и его необходимо отремонтировать.
 - c. Перед выполнением любой регулировки, заменой дополнительных принадлежностей или хранением электроинструмента отключите инструмент от сети или извлеките батарею из инструмента. Такие превентивные меры безопасности сокращают риск случайного включения электроинструмента.
 - d. Храните электроинструмент в недоступном для детей месте и не позволяйте работать с инструментом людям, не имеющим соответствующих навыков работы с такого рода инструментами. Электроинструмент представляет опасность в руках неопытных пользователей.
 - e. Проводите обслуживание электроинструментов. Проверьте движущиеся детали на точность совмещения или заклинивание, поломку либо какие-либо другие условия, которые могут повлиять на эксплуатацию электроинструмента. В случае обнаружения повреждений, прежде чем приступить к эксплуатации электроинструмента, его нужно отремонтировать. Большинство несчастных случаев происходит из-за электроинструментов, которые не обслуживаются

должным образом.

- f. Необходимо содержать режущий инструмент в остро заточенном и чистом состоянии. Вероятность заклинивания инструмента, за которым следят должным образом и который хорошо заточен, значительно меньше, а работать с ним легче.
 - g. Используйте данный электроинструмент, а также дополнительные принадлежности и насадки в соответствии с данными инструкциями и с учетом условий и специфики работы. Использование электроинструмента для выполнения операций, для которых он не предназначен, может привести к созданию опасных ситуаций.
- 5. Использование аккумуляторных электроинструментов и уход за ними**
- a. Используйте для зарядки аккумуляторной батареи только указанное производителем зарядное устройство. Использование зарядного устройства определенного типа для зарядки других батарей может привести к возгоранию.
 - b. Используйте для электроинструмента только батареи указанного типа. Использование других аккумуляторных батарей может стать причиной травмы и возгорания.
 - c. Избегайте попадания внутрь батареи скрепок, монет, ключей, гвоздей, болтов или других мелких металлических предметов, которые могут вызывать замыкание ее контактов. Короткое замыкание контактов батареи может привести к возгоранию или получению ожогов.
 - d. При повреждении батареи, из нее может вытечь электролит; избегайте контакта с ним. При случайном контакте с электролитом смойте его водой. При попадании электролита в глаза обратитесь за медицинской помощью. Жидкость, находящаяся внутри батареи, может вызвать раздражение или ожоги.
- 6. Сервисное обслуживание**
- a. Обслуживание электроинструмента должно выполняться только квалифицированным техническим персоналом. Это позволит обеспечить безопасность обслуживаемого электроинструмента.

Дополнительные правила безопасности при работе с электроинструментом



Внимание! Дополнительные инструкции по технике безопасности для всех пил

Порядок распиливания

- a. **ОПАСНО! Держите руки на расстоянии от области распила и диска. Держите вторую руку на дополнительной рукоятке или на корпусе двигателя. Если пила удерживается обеими руками, вероятность их пореза диском исключается.**
- b. **Не держите руки под обрабатываемой деталью.** Кожа не защищает руки от касания диска под обрабатываемой деталью.
- c. **Отрегулируйте глубину пиления в соответствии с толщиной обрабатываемой детали.** Под заготовкой должно быть видно менее полной высоты зубца диска.
- d. **Никогда не удерживайте разрезаемую деталь в руках или прижав ее к ноге. Зафиксируйте заготовку на неподвижной опоре.** Необходимо надлежащим образом закрепить обрабатываемую деталь для снижения риска получения травмы, заклинивания диска или потери контроля.
- e. **Удерживайте инструменты только за изолированные ручки при выполнении работ, во время которых имеется вероятность контакта инструмента со скрытой электропроводкой.** Контакт с проводом под напряжением приводит к подаче напряжения на соприкасающиеся с ним металлические детали электроинструмента и к поражению оператора электрическим током.
- f. **Во время продольной распиловки обязательно используйте продольную направляющую или направляющую для кромки.** Это повышает точность распила и снижает вероятность заклинивания диска.
- g. **Всегда используйте диски с посадочными отверстиями соответствующего размера и формы (ромбовидные или круглые).** Диски, которые не соответствуют крепежным приспособлениям пилы, будут вращаться несимметрично относительно центра, что может привести к потере управления.
- h. **Ни в коем случае не используйте поврежденные или несоответствующие зажимные кольца или болты для дисков.** Зажимные кольца и болты для дисков были разработаны специально для данной пилы с целью обеспечения оптимальной производительности и безопасности во время работы.

Дальнейшие инструкции для всех пил

Причины обратного удара и меры по его предотвращению

- ◆ отдача представляет собой внезапную реакцию на защемление, застревание или смещение пильного диска, что приводит к неконтролируемому подъему пилы из заготовки в направлении оператора;

- ◆ если диск зажимается или застревает в пропиле, он останавливается, а реакция электродвигателя приводит к тому, что инструмент быстро смещается в направлении оператора;
- ◆ если диск перекашивается или смещается в пропиле, зубья на его задней кромке могут войти в верхнюю часть деревянной детали, что приведет к выходу диска из пропила и его скачку в направлении оператора.

Отдача является результатом использования пилы не по назначению и/или неправильных действий оператора и условий работы, и ее можно избежать, соблюдая следующие меры безопасности.

- a. **Прочно удерживайте пилу обеими руками таким образом, чтобы иметь возможность погасить энергию отдачи.** Ваше тело должно находиться сбоку от пильного диска, а не на одной прямой с ним. Отдача может привести к скачку пилы назад, но оператор может гасить эту энергию, при условии соблюдения надлежащих мер.
- b. **В случае заклинивания диска или в случае прекращения распиловки по любой причине, отпустите пусковой выключатель и удерживайте пилу неподвижно в заготовке до полной остановки диска. Никогда не пытайтесь вытащить пилу из обрабатываемой детали или потянуть пилу назад во время вращения диска, это может привести к отдаче.** Выясните причину и примите надлежащие меры по устранению причины заклинивания диска.
- c. **При перезапуске пилы в детали центрируйте пильный диск в пропиле и убедитесь в том, что зубья пилы не касаются материала.** Если диск заклинило, он может подскочить вверх или ударить назад при повторном запуске пилы.
- d. **Поддерживайте большие панели для снижения риска защемления или заклинивания диска.** Большие заготовки имеют тенденцию прогибаться под тяжестью собственного веса. Опору нужно поставить под обе стороны панели, около линии разреза и около края панели.
- e. **Не используйте тупые или поврежденные диски.** Тупые или неправильно разведенные диски образуют узкий пропилок, что приводит к повышенному трению, заклиниванию диска и образованию отдачи.
- f. **Рычаги настройки глубины пропила и установки угла наклона перед началом работы должны быть затянуты и зафиксированы.** В случае сбоя регулировки диска во время работы может произойти заклинивание и отдача.
- g. **Соблюдайте повышенную осторожность при выполнении врезного пиления стен или в других слепых зонах.** Выступающий диск может встречаться с предметами, которые могут привести к образованию

отдачи.

Нижний защитный кожух

а. Перед каждым использованием проверяйте, правильно ли закрыт нижний защитный кожух. Не используйте пилу, если нижний защитный кожух не перемещается свободно и не закрывает диск постоянно. Никогда не зажимайте и не подвязывайте нижний защитный кожух в открытом положении. При падении пилы нижний защитный кожух может погнуться. Поднимите нижний защитный кожух при помощи стягивающей рукоятки и убедитесь в том, что кожух перемещается свободно и не соприкасается с диском или другими деталями при любых углах и глубине распила.

б. Проверьте функционирование и состояние возвратной пружины нижнего защитного кожуха. Если защитный кожух и пружина не работают должным образом, перед использованием пыли необходимо устранить неисправности. Нижний защитный кожух может перемещаться замедленно из-за повреждения деталей, отложения клейких веществ или скопления мусора.

в. Нижний защитный кожух может быть втянут вручную только при выполнении специальных разрезов, например, для врезных и комбинированных распилов. Поднимите нижний защитный кожух при помощи стягивающей рукоятки, а когда диск соприкоснется с материалом, опустите нижний защитный кожух.

Для всех других типов распила нижний защитный кожух должен работать в автоматическом режиме.

д. Всегда следите за тем, чтобы нижний защитный кожух закрывал диск, прежде чем класть пилу на верстак или на пол. Незащищенный пыльный диск во время выбега приведет к смещению пилы назад и пилению всех находящихся на траектории движения предметов. Помните, что после отпущения выключателя требуется некоторое время для полной остановки диска.

Остаточные риски

При работе с данным инструментом возможно возникновение дополнительных остаточных рисков, которые не вошли в описанные здесь правила техники безопасности. Эти риски могут возникнуть при неправильном или продолжительном использовании изделия и т. п.

Несмотря на соблюдение соответствующих инструкций по технике безопасности и использование предохранительных устройств, некоторые остаточные риски невозможно полностью исключить. К ним относятся:

- ♦ Травмы в результате касания вращающихся/движущихся частей.

- ♦ Травмы, которые могут произойти в результате смены деталей, лезвий или дополнительных принадлежностей.
- ♦ Травмы, связанные с продолжительным использованием инструмента. При использовании любого инструмента в течение продолжительного периода времени, не забывайте делать перерывы.
- ♦ Ухудшение слуха.
- ♦ Ущерб здоровью в результате вдыхания пыли в процессе работы с инструментом (например, при обработке древесины, в особенности, дуба, бука и МДФ)

Пыльные диски

- ♦ Не используйте диски меньшего или большего диаметра по сравнению с рекомендованными. Размеры дисков см. в разделе «Технические характеристики». Используйте только те диски, что указаны в данном руководстве, соответствующие стандарту EN 847-1.
- ♦ **Внимание!** Использование абразивных кругов запрещено

Безопасность окружающих

- ♦ Данный инструмент не предназначен для использования лицами (включая детей) с ограниченными физическими, сенсорными или ментальными возможностями, а также лицами без достаточного опыта и знаний, если только они не делают этого под руководством лица, имеющего соответствующий опыт и отвечающего за их безопасность.
- ♦ Не позволяйте детям играть с данным инструментом.

Вибрация

Заявленные значения вибрации указанные в технических спецификациях и заявлении о соответствии были измерены в соответствии с стандартным методом тестирования EN 60745 и могут быть использованы для сравнения инструментов. Заявленное значение эмиссии вибрации также может использоваться при предварительной оценке ее воздействия.

Внимание! Значение эмиссии вибрации в каждом конкретном случае применения электроинструмента может отличаться от заявленного в зависимости от того, каким образом используется инструмент. Уровень вибрации может быть выше заявленного. При оценке уровня вибрации для определения степени безопасности, предусмотренного 2002/44/ЕС для защиты людей, регулярно пользующихся электроинструментом при работе, нужно принимать во внимание уровень вибрации, реальные условия использования и способ использования инструмента, а также учитывать все этапы цикла работы – когда инструмент выключается, когда он работает на холостом ходу, а также время переключения с одного режима на другой.

Условные обозначения на инструменте

Помимо кода даты на инструменте имеются следующие знаки:



Внимание! Во избежание риска получения травм, прочтите руководство по эксплуатации.

Дополнительные меры безопасности при работе с аккумуляторными батареями и зарядными устройствами

Аккумуляторные батареи

- ◆ Никогда не пытайтесь разобрать аккумуляторные батареи.
- ◆ Не подвергайте аккумуляторные батареи воздействию воды.
- ◆ Не оставляйте в местах, где температура превышает 40 °С.
- ◆ Заряжайте только при температуре от 10 °С до 40 °С.
- ◆ Заряжайте аккумуляторные батареи только с зарядным устройством, которое прилагается к инструменту.
- ◆ При утилизации батарей следуйте инструкциям, указанным в разделе «Защита окружающей среды».



Не пытайтесь заряжать поврежденные аккумуляторные батареи.

Зарядные устройства

- ◆ Используйте зарядное устройство Stanley Fatmax только для зарядки аккумуляторной батареи того инструмента, с которым оно поставлялось. Использование аккумуляторных батарей другого типа может привести к взрыву, травмам и повреждениям.
- ◆ Не пытайтесь заряжать одноразовые батареи.
- ◆ Немедленно заменяйте поврежденный кабель питания.
- ◆ Не подвергайте зарядное устройство воздействию воды.
- ◆ Не вскрывайте зарядное устройство.
- ◆ Не разбирайте зарядное устройство.



Зарядное устройство можно использовать только в помещении.



Перед началом работы прочтите руководство по эксплуатации.

Электробезопасность



Ваше зарядное устройство имеет двойную изоляцию, поэтому не требует заземления. Необходимо обязательно убедиться в том, что напряжение источника питания соответствует указанному на паспортной табличке устройства. Никогда не пытайтесь заменить зарядное устройство обычной сетевой розеткой.

- ◆ При повреждении кабеля питания, во избежание рисков, замените его у производителя или в официальном сервисном центре STANLEY FATMAX.

Составные части

Данный инструмент может содержать все или некоторые из перечисленных ниже составных частей.

1. Клавиша пускового выключателя
2. Кнопка блокировки пускового выключателя
3. Основная рукоятка
4. Дополнительная рукоятка
5. Кнопка блокировки шпинделя
6. Подошва
7. Пильный диск
8. Защитный кожух пильного диска
9. Выпускное отверстие пылеотвода
10. Аккумуляторная батарея
11. Зарядное устройство

Сборка

Внимание! Перед сборкой снимите аккумуляторную батарею с инструмента и убедитесь, что пильный диск установлен. Диск после работы может сильно нагреваться.

Снятие и установка пильного диска (Рис. В)

Снятие

- ◆ Нажмите на кнопку блокировки шпинделя (5) и поворачивайте диск, пока шпиндель не заблокируется.
- ◆ Ослабьте и выверните винт крепления диска (15), поворачивая его по часовой стрелке с помощью ключа (16), входящего в комплект поставки.
- ◆ Снимите внешнюю шайбу (14).
- ◆ Снимите пильный диск (7).

Установка

- ◆ Установите пильный диск на внутренний фланец (13) и убедитесь, что стрелка на диске направлена в том же направлении, что и стрелка на инструменте.
- ◆ Установите внешнюю шайбу (14) на шпиндель таким образом, чтобы подтянутая часть была направлена от пильного диска.
- ◆ Вставьте винт крепления диска (15) в отверстие.
- ◆ Продолжайте удерживать кнопку блокировки шпинделя (5).

- ◆ Надежно затяните винт крепления диска, поворачивая его против часовой стрелки с помощью ключа (16), входящего в комплект поставки.

Установка и снятие аккумуляторной батареи (Рис. С)

- ◆ Для установки аккумуляторной батареи (10) совместите ее с приемным гнездом на инструменте. Вставьте аккумуляторную батарею в гнездо и надавите на нее, чтобы она встала на место.
- ◆ Чтобы извлечь батарею, нажмите на опирающиеся кнопки (17), одновременно вытягивая батарею из гнезда.

Использование

Внимание! Инструмент должен работать в обычном режиме. Избегайте перегрузок.

Данным инструментом можно управлять как правой, так и левой рукой.

Зарядка аккумуляторной батареи (Рис. А)

Аккумуляторную батарею нужно заряжать перед первым использованием и каждый раз, когда заряда недостаточно для выполняемых работ. Во время зарядки аккумуляторная батарея нагревается. Это нормальная ситуация, которая не указывает на неисправность.

Внимание! Не заряжайте батарею при температуре окружающей среды ниже 10 °С или выше 40 °С. Рекомендуемая температура при зарядке: приблизительно 24 °С.

Примечание: Зарядное устройство не будет заряжать аккумулятор, если температура элемента ниже 10 °С или выше 40 °С.

Аккумуляторную батарею нужно оставить в зарядном устройстве; зарядка начнется автоматически, когда температура элемента аккумуляторной батареи выровняется до нормальных значений.

- ◆ Вставьте батарею (10) в зарядное устройство (11) для выполнения зарядки. Аккумуляторная батарея устанавливается в зарядное устройство только одним способом. Не прилагайте чрезмерные усилия. Проследите, чтобы батарея полностью вошла в зарядное устройство.
- ◆ Подключите зарядное устройство к сети и включите его.

Начнет мигать индикатор зарядки (12).

Зарядка завершена, если индикатор зарядки (12) будет непрерывно гореть. Зарядное устройство и аккумуляторную батарею можно оставить подключенными на неопределенное время. Светодиод будет включаться по мере периодической полной зарядки зарядным устройством.

- ◆ Заряжайте разряженные батареи 1 раз в неделю. Срок службы аккумуляторной батареи значительно уменьшается, если ее хранить в разряженном состоянии.

Хранение аккумуляторной батареи в зарядном устройстве

Зарядное устройство и аккумуляторную батарею можно оставить подключенными к сети с горящим светодиодным индикатором. Зарядное устройство будет поддерживать полную зарядку аккумуляторной батареи.

Диагностика зарядного устройства

При фиксировании неисправности самого зарядного устройства или аккумулятора, индикатор зарядки (12) начнет мигать красным светом в ускоренном режиме.

Выполните следующие действия:

- ◆ Извлеките и повторно вставьте батарею (10).
- ◆ Если индикатор продолжает часто мигать красным светом, вставьте другую аккумуляторную батарею, чтобы убедиться, что процесс зарядки проходит в правильном режиме.
- ◆ Если сменная аккумуляторная батарея заряжается правильно, это означает, что первоначальная аккумуляторная батарея повреждена и должна быть сдана в сервисный центр на утилизацию.
- ◆ Если при установке сменной батареи наблюдается то же частое мигание, что и при установке первоначальной батареи, отнесите зарядное устройство в сервисный центр для тестирования.

Примечание: На определение неисправности аккумуляторной батареи может понадобиться приблизительно 30 минут. Если аккумуляторная батарея очень горячая или очень холодная, красный светодиод будет попеременно мигать быстро и медленно.

Регулировка угла пиления (Рис. D)

Воспользуйтесь угольником и убедитесь, что угол между пильным диском и подошвой составляет 90°. Если угол не равен 90°, отрегулируйте его следующим образом:

- ◆ Ослабьте ручку блокировки (20), чтобы разблокировать подошву.
- ◆ Ослабьте контргайку (19) на регулировочном винте (18).
- ◆ Для установки угла 90° поворачивайте регулировочный винт в одном или другом направлении.
- ◆ Затяните контргайку.
- ◆ Затяните ручку блокировки, чтобы зафиксировать подошву.

Регулировка глубины распила (Рис. E)

Глубина распила устанавливается в зависимости от толщины заготовки. Она должна превышать толщину приблизительно на 2 мм.

- ◆ Ослабьте ручку (21), чтобы разблокировать подошву.
- ◆ Переместите подошву (6) в нужное положение.
- ◆ Затяните ручку, чтобы зафиксировать подошву.

Регулировка угла наклона (Рис. F)

С помощью данного инструмента можно выполнять пиление с наклоном 0° и 45°.

- ◆ Ослабьте ручку блокировки (20), чтобы разблокировать подошву.
- ◆ Переместите подошву (6) в нужное положение. Соответствующий угол наклона отображается на шкале (22).
- ◆ Затяните ручку блокировки, чтобы зафиксировать подошву.

Включение и выключение

- ◆ Чтобы включить инструмент, нажмите кнопку блокировки (2) и нажмите на пусковой выключатель (1).
- ◆ Чтобы выключить инструмент, отпустите выключатель.

Пиление

Всегда держите инструмент обеими руками.

- ◆ Прежде чем приступить к резке, дайте пиле поработать несколько секунд без нагрузки.
- ◆ Не применяйте чрезмерное давление к инструменту во время выполнения резки.
- ◆ По возможности, прижимайте подошву к заготовке.

Примечание: Не позволяйте зубьям диска перегреваться.

Использование визуальной направляющей (Рис. G)

Инструмент оснащен визуальной направляющей для выполнения прямолинейного распила (23) и распила с наклоном 45° (24).

- ◆ Совместите левую кромку направляющей (23) или (24) с линией распила (25).
- ◆ Держите визуальную направляющую на линии пиления во время распила.
- ◆ По возможности, прижимайте подошву к заготовке.

Пылеудаление

Для подсоединения пылесоса к инструменту необходимо наличие переходника.

- ◆ Вставьте переходник на выпускное отверстие пылеотвода (9).
- ◆ Подсоедините шланг пылесоса к переходнику.

Советы по оптимальному использованию

- ◆ Всегда используйте диски соответствующего типа для разных заготовок и типов распила.
- ◆ Всегда держите инструмент обеими руками.
- ◆ Прежде чем приступить к резке, дайте пиле поработать несколько секунд без нагрузки.
- ◆ Не применяйте чрезмерное давление к инструменту во время выполнения резки.
- ◆ По возможности, прижимайте подошву к заготовке.
- ◆ Поскольку полностью избежать расщепления вдоль линии пиления невозможно, выполняйте пиление с той

стороны, где это допустимо.

- ◆ В местах, где расщепление необходимо свести к минимуму, например, при пилении ламинированных материалов, прижмите лист фанеры к верхней поверхности заготовки.
- ◆ Поддерживайте большие панели для снижения риска защемления или заклинивания диска. Большие заготовки имеют тенденцию прогибаться под тяжестью собственного веса.
- ◆ Опору нужно поставить под обе стороны панели, около линии разреза и около края разрезаемой панели.
- ◆ Никогда не удерживайте разрезаемую деталь в руках или прижав ее к ноге.
- ◆ Зафиксируйте обрабатываемую деталь на неподвижной опоре с помощью зажимов. Необходимо надлежащим образом закрепить обрабатываемую деталь для снижения риска получения травмы, заклинивания диска или потери контроля.

Дополнительные принадлежности

Производительность вашего инструмента напрямую зависит от используемых принадлежностей.

Принадлежности Stanley Fat Max изготовлены в соответствии с самыми высокими стандартами качества и способны увеличить производительность вашего инструмента. Используя эти принадлежности, вы достигнете наилучших результатов в работе.

Техническое обслуживание

Ваш инструмент имеет длительный срок эксплуатации и требует минимальных затрат на техобслуживание. Срок службы и надежность инструмента увеличивается при правильном уходе и регулярной чистке.

Внимание! Перед выполнением обслуживания выключите инструмент и отключите его от сети.

- ◆ Регулярно очищайте вентиляционные отверстия и зарядное устройство с помощью мягкой щетки или сухой тканевой салфетки.
- ◆ Регулярно очищайте корпус двигателя с помощью влажной салфетки.
Не используйте никакие абразивные чистящие средства или средства на основе растворителей.

Замена штепсельной вилки (только для Великобритании и Ирландии)

В случае необходимости установки новой вилки:

- ◆ Осторожно снимите старую вилку.
- ◆ Подсоедините коричневый провод к терминалу фазы в новой вилке.
- ◆ Подсоедините синий провод к нулевому терминалу.

Внимание! Заземления не требуется. Соблюдайте инструкции по установке вилок высокого качества. Рекомендованный предохранитель: 5 А.

Защита окружающей среды



Раздельный сбор. Изделия и аккумуляторные батареи с данным символом на маркировке запрещается утилизировать с обычными бытовыми отходами.

Изделия и аккумуляторные батареи содержат материалы, которые могут быть извлечены или переработаны, снижая потребность в исходном сырье.

Пожалуйста, утилизируйте электрические изделия и аккумуляторные батареи в соответствии с местными нормами. Дополнительная информация доступна по адресу www.2helpU.com

Технические характеристики

| FMC660 (Тип 1) | | |
|---------------------------------------|-------------------------|----------|
| Входное напряжение | $V_{\text{пост. тока}}$ | 18 |
| Скорость без нагрузки | мин.^{-1} | 0 - 4000 |
| Максимальная глубина распила | мм | 54 |
| Макс. глубина распила при наклоне 45° | мм | 45 |
| Диаметр диска | мм | 165 |
| Диаметр посадочного отверстия | мм | 16 |
| Ширина зубьев диска | мм | 2,0 |
| Вес | кг | 3,4 |

| Зарядное устройство 905765** тип 1 | | |
|------------------------------------|--------------------------|------------|
| Входное напряжение | $V_{\text{перем. тока}}$ | 220-240 |
| Выходное напряжение | $V_{\text{пост. тока}}$ | 20 (Макс.) |
| Ток | А | 2 |
| Приблизительное время зарядки | мин. | 120 |

| Аккумуляторная батарея FMC688L | | |
|--------------------------------|-------------------------|----------------|
| Напряжение | $V_{\text{пост. тока}}$ | 18 |
| Емкость | Ач | 4,0 |
| Тип | | Ионно-литиевая |

| |
|---|
| $L_{\text{РА}}$ (звуковое давление) 79 дБ(А), Погрешность (К) 3 дБ(А) |
| L_{WA} (акустическая мощность) 90 дБ(А), Погрешность (К) 3 дБ(А) |
| Сумма величин вибрации (сумма векторов по трем осям), измеренных в соответствии со стандартом EN 60745: |
| Распил древесины ($a_{\text{R, W}}$) 2,4 м/с ² , погрешность (К) 1,5 м/с ² |

Заявление о соответствии нормам ЕС

ДИРЕКТИВА ПО МЕХАНИЧЕСКОМУ ОБОРУДОВАНИЮ



Аккумуляторный лобзик - FMC650

Stanley Europe заявляет, что продукция, описанная в разделе «Технические характеристики» соответствует: 2006/42/ЕС, EN 60745-1, EN 60745-2-11

Эти изделия также соответствуют Директивам 2004/108/EU и 2011/65/EU. За дополнительной информацией обращайтесь в компанию Stanley Europe по адресу, указанному ниже или приведенному на задней стороне обложки руководства.

Нижеподписавшийся несет ответственность за составление технической документации и составил данную декларацию по поручению компании Stanley Europe.

Эд Хиггинс

Директор отдела потребительских электроинструментов
Stanley Europe, Egide Walschaertsstraat 14-18,
2800 Mechelen, Бельгия
19/05/2020

Гарантия

Компания Stanley Europe с уверенностью в качестве своей продукции предлагает клиентам гарантию на 12 месяцев с момента покупки. Данная гарантия является дополнительной и ни в коей мере не направлена на ущемление Ваших юридических прав. Гарантия действует на территории стран-участниц ЕС и в Европейской зоне свободной торговли.

Чтобы подать заявку по гарантии, заявка должна соответствовать положениям и условиям STANLEY FATMAX, кроме того, вам потребуется предъявить продавцу или авторизованному специалисту по ремонту подтверждение покупки. Положения и условия 1-летней гарантии Stanley Europe и местонахождение ближайшего авторизованного специалиста по ремонту можно узнать через Интернет по адресу www.2helpU.com, или связавшись с местным представительством Stanley Europe по адресу, указанному в данном руководстве.

Посетите наш веб-сайт www.stanley.eu/3, чтобы зарегистрировать свое новое изделие STANLEY FATMAX и получать информацию о новинках и специальных предложениях.



Приложение к руководству по эксплуатации электрооборудования для определения месяца производства по номеру текущей календарной недели года

Электрооборудование торговых марок "Dewalt", "Stanley", "Stanley FatMAX", "BLACK+DECKER".

Директивы 2014/30/EU ЕВРОПЕЙСКОГО ПАРЛАМЕНТА И СОВЕТА от 26 февраля 2014 г. "О гармонизации законодательства Государств-членов ЕС в области электромагнитной совместимости", 2006/42/ЕС ЕВРОПЕЙСКОГО ПАРЛАМЕНТА И СОВЕТА от 17 мая 2006 г. "О машинах и оборудовании"; 2014/35/EU ЕВРОПЕЙСКОГО ПАРЛАМЕНТА И СОВЕТА от 26 февраля 2014 г. "О гармонизации законодательства государств-членов в области размещения на рынке электрооборудования, предназначенного для использования в определенных пределах напряжения". Серийный выпуск.

ТОВАР СЕРТИФИЦИРОВАН

Орган по сертификации "РОСТЕСТ- Москва", Адрес: 119049, г. Москва, улица Житная, д. 14, стр. 1; 117418, Москва, Нахимовский просп., 31 (фактический), Телефон: (499) 1292311, (495) 6682893, Факс: (495) 6682893, E-mail: office@rostest.ru
Изготовитель: Изготовитель: Блэк энд Декер Холдингс ГмбХ, Германия, 65510, Идштайн, ул. Блэк энд Декер, 40, тел. +496126212790.

Уполномоченное изготовителем юр.лицо:

ООО "Стэджи Блэк энд Декер", 117485, город Москва, улица Обручева, дом 30/1, строение 2
Телефон: +7 (495) 258-3981, факс: +7 (495) 258-3984, E-mail: info@dewalt.com
Сведения о импортере указаны в сопроводительной документации и/или на упаковке

Хранение.

Необходимо хранить в сухом месте, вдали от источников повышенных температур и воздействия солнечных лучей. При хранении необходимо избегать резкого перепада температур. Хранение без упаковки не допускается

Срок службы.

Срок службы изделия составляет 5 лет. Не рекомендуется к эксплуатации по истечении 5 лет хранения с даты изготовления без предварительной проверки.

Дата изготовления (код даты) указана на корпусе инструмента. Код даты, который также включает год изготовления, отштампован на поверхности корпуса изделия.

Пример:

2014 46 XX, где 2014 — год изготовления, 46 — неделя изготовления. Определить месяц изготовления по указанной неделе изготовления можно согласно приведенной ниже таблице.

Транспортировка.

Категорически не допускается падение и любые механические воздействия на упаковку при транспортировке.
При разгрузке/погрузке не допускается использование любого вида техники, работающей по принципу зажима упаковки.

Перечень критических отказов, возможные ошибочные действия персонала.

Не допускается эксплуатация изделия:

- При появлении дыма из корпуса изделия
- При поврежденном и/или оголенном сетевом кабеле
- при повреждении корпуса изделия, защитного кожуха, рукоятки
- при попадании жидкости в корпус
- при возникновении сильной вибрации
- при возникновении сильного искрения внутри корпуса

Критерии предельных состояний.

- При поврежденном и/или оголенном сетевом кабеле
- при повреждении корпуса изделия

| Месяц | Январь | Февраль | Март | Апрель | Май | Июнь | Июль | Август | Сентябрь | Октябрь | Ноябрь | Декабрь | Год производства |
|--------|--------|---------|------|--------|-----|------|------|--------|----------|---------|--------|---------|------------------|
| Неделя | 1 | 5 | 9 | 14 | 18 | 23 | 27 | 31 | 36 | 40 | 44 | 49 | 2018 |
| | 2 | 6 | 10 | 15 | 19 | 24 | 28 | 32 | 37 | 41 | 45 | 50 | |
| | 3 | 7 | 11 | 16 | 20 | 25 | 29 | 33 | 38 | 42 | 46 | 51 | |
| | 4 | 8 | 12 | 17 | 21 | 26 | 30 | 34 | 39 | 43 | 47 | 52 | |
| | | | 13 | | 22 | | | 35 | | | 48 | | |
| Неделя | 1 | 6 | 10 | 14 | 18 | 23 | 27 | 31 | 36 | 40 | 45 | 49 | 2019 |
| | 2 | 7 | 11 | 15 | 19 | 24 | 28 | 32 | 37 | 41 | 46 | 50 | |
| | 3 | 8 | 12 | 16 | 20 | 25 | 29 | 33 | 38 | 42 | 47 | 51 | |
| | 4 | 9 | 13 | 17 | 21 | 26 | 30 | 34 | 39 | 43 | 48 | 52 | |
| | 5 | | | | | 22 | | | 35 | | 44 | | |
| Неделя | 1 | 6 | 10 | 14 | 19 | 23 | 27 | 32 | 36 | 40 | 45 | 49 | 2020 |
| | 2 | 7 | 11 | 15 | 20 | 24 | 28 | 33 | 37 | 41 | 46 | 50 | |
| | 3 | 8 | 12 | 16 | 21 | 25 | 29 | 34 | 38 | 42 | 47 | 51 | |
| | 4 | 9 | 13 | 17 | 22 | 26 | 30 | 35 | 39 | 43 | 48 | 52 | |
| | 5 | | | | 18 | | 31 | | | 44 | | | |
| Неделя | 2 | 6 | 10 | 14 | 19 | 23 | 27 | 32 | 36 | 41 | 45 | 49 | 2021 |
| | 3 | 7 | 11 | 15 | 20 | 24 | 28 | 33 | 37 | 42 | 46 | 50 | |
| | 4 | 8 | 12 | 16 | 21 | 25 | 29 | 34 | 38 | 43 | 47 | 51 | |
| | 5 | 9 | 13 | 17 | 22 | 26 | 30 | 35 | 39 | 44 | 48 | 52 | |
| | | | | 18 | | | 31 | | 40 | | | 1 | |
| Неделя | 2 | 6 | 10 | 15 | 19 | 23 | 28 | 32 | 36 | 41 | 45 | 49 | 2022 |
| | 3 | 7 | 11 | 16 | 20 | 24 | 29 | 33 | 37 | 42 | 46 | 50 | |
| | 4 | 8 | 12 | 17 | 21 | 25 | 30 | 34 | 38 | 43 | 47 | 51 | |
| | 5 | 9 | 13 | 18 | 22 | 26 | 31 | 35 | 39 | 44 | 48 | 52 | |
| | | | 14 | | | 27 | | | 40 | | | 1 | |

STANLEY**ГАРАНТИЙНЫЙ ТАЛОН****2 ГОДА
ГАРАНТИИ**

1. Поздравляем Вас с покупкой высококачественного изделия STANLEY и выражаем признательность за Ваш выбор.
2. При покупке изделия требуйте проверки его комплектности и исправности в Вашем присутствии, инструкцию по эксплуатации и заполненный Гарантийный талон на русском языке. В гарантийном талоне должны быть внесены: модель, дата продажи, серийный номер, дата производства инструмента; название, печать и подпись торговой организации. При отсутствии у Вас правильно заполненного Гарантийного талона, а также несоответствия указанных в нем данных, мы будем вынуждены отклонить Ваши претензии по качеству данного изделия.
3. Во избежание недоразумений, убедительно просим Вас перед началом работы с изделием внимательно ознакомиться с инструкцией по его эксплуатации. Правовой основой настоящих гарантийных условий является действующее Законодательство. Гарантийный срок на данное изделие составляет 24 месяцев и исчисляется со дня продажи. В случае устранения недостатков изделия, гарантийный срок продлевается на период его нахождения в ремонте. Срок службы изделия составляет 5 лет со дня продажи.
4. В случае возникновения каких-либо проблем в процессе эксплуатации изделия рекомендуем Вам обращаться только в уполномоченные сервисные центры STANLEY, адреса и телефоны которых Вы сможете найти на сайте www.2helpU.com или узнать в магазине. Наши сервисные станции - это не только квалифицированный ремонт, но и широкий ассортимент запчастей и принадлежностей.
5. Производитель рекомендует проводить периодическую проверку и техническое обслуживание изделия в уполномоченных сервисных центрах.
6. Наши гарантийные обязательства распространяются только на неисправности, выявленные в течение гарантийного срока и вызванные дефектами производства и / или материалов.
7. Гарантийные условия не распространяются на неисправности изделия, возникшие в результате:
 - 7.1. Несоблюдения пользователем предписаний инструкции по эксплуатации изделия, применения изделия не по назначению, неправильного хранения, использования принадлежностей, расходных материалов и запчастей, не предусмотренных производителем.
 - 7.2. Механического повреждения (сколы, трещины и разрушения) внутренних и внешних деталей изделия, основных и вспомогательных рукояток, сетевого электрического кабеля, вызванного внешним ударным или любым иным воздействием.
 - 7.3. Попадания в вентиляционные отверстия и проникновение внутрь изделия посторонних предметов, материалов или веществ, не являющихся отходами, сопровождающим применение изделия по назначению, такими как: стружка, опилки, песок, и пр.
 - 7.4. Воздействия на изделие неблагоприятных атмосферных и иных внешних факторов, таких как дождь, снег, повышенная влажность, нагрев, агрессивные среды, несоответствие параметров питающей электросети, указанных на инструменте.
 - 7.5. Стихийного бедствия. Повреждение или утрата изделия, связанное с непредвиденными бедствиями, стихийными явлениями, в том числе вследствие действия непреодолимой силы (пожар, молния, потоп и другие природные явления), а также вследствие перепадов напряжения в электросети и других причин, которые находятся вне контроля производителя.
8. Гарантийные условия не распространяются:
 - 8.1. На инструменты, подвергавшиеся вскрытию, ремонту или модификации вне уполномоченного сервисного центра.
 - 8.2. На детали и узлы, имеющие следы естественного износа, такие как: приводные ремни и колеса, угловые щетки, смазка, подшипники, зубчатое зацепление редукторов, резиновые уплотнения, сальники, направляющие ролики, муфты сцепления, бойки, толкатели, стволы, и т.п.
 - 8.3. На сменные и расходные части: цанги, зажимные гайки и фланцы, фильтры, ножи, шлифовальные подошвы, цепи, звездочки, пыльные шины, защитные кожухи, пилки, абразивы, пыльные и абразивные диски, фрезы, сверла, буры и т.п.
 - 8.4. На неисправности, возникшие в результате перегрузки инструмента (как механической, так и электрической), повлекшей выход из строя одновременно двух и более деталей и узлов, таких как ротора и статора, обеих обмоток статора, ведомой и ведущей шестерни редуктора или других узлов и деталей. К безусловным признакам перегрузки изделия относятся, помимо прочего: появление цветов побежалости, деформация или оплавление деталей и узлов изделия, потемнение или обугливание изоляции проводов электродвигателя под воздействием высокой температуры.

Товар получен в исправном состоянии, без видимых повреждений, в полной комплектации, проверен в моем присутствии, претензий по качеству товара не имею. С условиями гарантийного обслуживания ознакомлен и согласен.

Ф. И. О. и подпись покупателя _____

Уважаемые клиенты, наша сеть авторизованных сервисных центров постоянно расширяется. Актуальную информацию об обслуживании в интересующем вас городе вы можете узнать на сайте

www.2helpU.com

Информация об инструменте

| | |
|--------------------------|--|
| Наименование инструмента | |
| Модель | |
| Наименование продавца | |
| Дата продажи | |

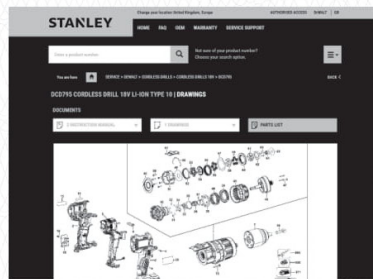
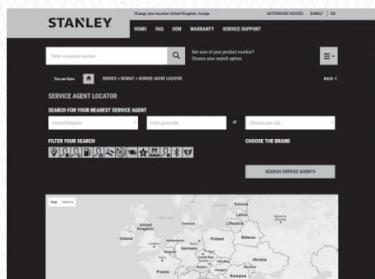
Серийный номер / Дата производства

| | |
|---------------------|--|
| Инструмент | |
| Зарядное устройство | |
| Аккумулятор 1 | |
| Аккумулятор 2 | |

М.П.
Продавца

На сайте www.2helpU.com доступны следующие функции:

- Список авторизованных сервисных центров
- Удобный поиск ближайшего сервисного центра
- Руководство по эксплуатации
- Технические характеристики
- Список деталей и запасных частей
- Схема сборки инструмента



Также данную информацию вы можете
получить, позвонив по телефону:
8(800) 1000 876

ОТМЕТКА О ПРОВЕДЕНИИ СЕРВИСНОГО ОБСЛУЖИВАНИЯ

| №1 | №2 | №3 | №4 |
|------------------------------------|------------------------------------|------------------------------------|------------------------------------|
| № заказа | № заказа | № заказа | № заказа |
| Дата поступления | Дата поступления | Дата поступления | Дата поступления |
| Дата ремонта | Дата ремонта | Дата ремонта | Дата ремонта |
| Печать и подпись сервисного центра | Печать и подпись сервисного центра | Печать и подпись сервисного центра | Печать и подпись сервисного центра |

Сфера застосування

Ваша дискова пила STANLEY FATMAX FMC660 розроблена для розпилювання дерева та виробів з деревини. Цей пристрій призначений для професійного використання, а також для приватних непрофесійних користувачів.

Інструкції з техніки безпеки

Загальні правила безпеки для електричного інструмента



Увага! Прочитайте всі попередження та інструкції. Невиконання наведених нижче попереджень та інструкцій може призвести до ураження електричним струмом, пожежі та/або серйозних травм.

Збережіть всі попередження та інструкції для використання в майбутньому. Термін «електричний інструмент» в усіх попередженнях, перерахованих нижче, стосується використовуваних вами інструментів, що працюють від мережі енергоспоживання (з використанням електричного кабелю) або батарей (без кабелю).

1. Безпека робочої зони

- a. **Тримайте робочу зону чистою та добре освітленою.** Невпорядковані й темні робочі зони збільшують імовірність нещасного випадку.
- b. **Не використовуйте електричні інструменти у вибухонебезпечній атмосфері, наприклад у присутності займих рідин, газів та пилу.** Електричні інструменти створюють іскри, що можуть запалити пил або випаровування.
- c. **Тримайте дітей та сторонніх подалі під час використання інструмента.** Відвернення уваги може призвести до втрати контролю.

2. Електрична безпека

- a. **Вилка електричного інструмента має відповідати розетці. Ніколи жодним чином не змінюйте вилку. Не використовуйте адаптери з заземленими електричними інструментами.** Немодифіковані вилки та розетки, що відповідають їм, зменшують ризик ураження електричним струмом.
- b. **Уникайте контакту тіла із заземленими поверхнями, такими як труби, радіатори, плити та холодильники.** Якщо ваше тіло заземлене, збільшується ризик ураження електричним струмом.
- c. **Не залишайте електричні інструменти під дощем або за умов підвищеної вологості.** Вода, що потрапляє в електричний інструмент, підвищує ризик ураження електричним струмом.
- d. **Не використовуйте кабель живлення не за призначенням. Ніколи не переносьте, не тягніть та не відключайте електричний інструмент від**

розетки живлення за допомогою шнура.

Тримайте шнур подалі від високих температур, мастила, гострих предметів та рухомих деталей.

Пошкоджені або перекручені шнури підвищують ризик ураження електричним струмом.

- e. **Під час експлуатації електричного інструмента на вулиці використовуйте подовжувальний шнур, що призначений для використання поза приміщеннями.** Використання шнура, що призначений для використання поза приміщеннями, знижує ризик ураження електричним струмом.
 - f. **Якщо неможливо уникнути використання електричного інструмента за умов підвищеної вологості, використовуйте джерело живлення, захищене пристроєм з керуванням диференціальним струмом (RCD).** Використання RCD знижує ризик ураження електричним струмом.
- ### 3. Особиста безпека
- a. **Будьте в стані готовності, дивіться, що ви робите, та будьте розсудливі, працюючи з електричним інструментом. Не використовуйте електричний інструмент, коли ви втомлені або знаходитесь під впливом наркотичних речовин, алкоголю або ліків.** Втрата уваги під час роботи з електричним інструментами може призвести до серйозних травм.
 - b. **Використовуйте особисті засоби безпеки. Завжди використовуйте засоби захисту очей.** Засоби безпеки, такі як протипилова маска, нековзкі безпечні черевики, захисний шолом та засоби захисту слухового апарату, які використані для відповідних умов, зменшують імовірність особистих травм.
 - c. **Уникайте випадкового запуску. Переконайтесь в тому, що перемикач знаходиться в позиції Вимк., перш ніж підключати інструмент до джерела живлення та/або акумулятора, перемішувати або переносити.** Якщо ви переносите інструмент, тримаючи палець на перемикачі, або підключаєте живлення з перемикачем в позиції Увімк., це може призвести до нещасного випадку.
 - d. **Зніміть всі налаштувальні ключі або гайкові ключі перед вмиканням електричного інструмента.** Гайковий ключ, що залишився прикріпленим до якоїсь деталі електричного пристрою, що обертається, може призвести до травм.
 - e. **Не перенапружуйтеся. Завжди утримуйте правильну постановку ніг і рівновагу.** Це дає вам змогу краще контролювати інструмент в непередбачуваних ситуаціях.
 - f. **Вдягайте відповідний одяг. Не вдягайте вільний одяг або прикраси. Тримайте ваше волосся, одяг та рукавички подалі від рухомих деталей.** Вільний одяг, прикраси або довге волосся можуть зачепитися

за рухоми деталі.

- g. Якщо передбачені пристрої для підключення до засобів виділення та збирання пилу, переконайтеся, що вони правильно підключені та використовуються. Використання таких пристроїв зменшує ризик виникнення небезпечних ситуацій, що пов'язані з потраплянням пилу.
4. Використання електричного інструмента та догляд за ним
 - a. Не застосовуйте надмірні зусилля під час роботи з інструментом. Використовуйте електричний інструмент, який відповідає завданню, що виконується. Правильно обраний інструмент виконає завдання краще та безпечніше за умов, для яких він був розроблений.
 - b. Не використовуйте інструмент, вмикач якого не вмикає та не вимикає його. Будь-який електричний інструмент, який не може управлятися вмикачем, є небезпечним і має бути відремонтований.
 - c. Відключіть вилку від джерела живлення та/або зніміть акумуляторний блок з електричного інструмента перед тим, як робити будь-які налаштування, змінювати додаткове обладнання чи зберігати електричні інструменти. Ці профілактичні заходи зменшують ризик випадкового запуску електричного інструмента.
 - d. Зберігайте вимкнені електричні інструменти подалі від дітей та не дозволяйте особам, що не знайомі з електричним інструментом або цими інструкціями, використовувати електричний інструмент. Електричні інструменти є небезпечними, якщо вони використовуються некваліфікованими користувачами.
 - e. Технічне обслуговування електричних інструментів.
Перевіряйте несумісність або заїдання рухомих деталей, наявність ушкоджених частин та інших умов, що можуть впливати на роботу електричного інструмента. Якщо є пошкодження, відремонтуйте електричний інструмент перед використанням. Багато нещасних випадків є результатом того, що інструмент не пройшов відповідного технічного обслуговування.
 - f. Тримайте ріжучі інструменти гострими та чистими. Правильно доглянуті ріжучі інструменти з гострими ріжучими кромками мають меншу ймовірність заїдання, та ними легше керувати.
 - g. Використовуйте електричний інструмент, приладдя та деталі інструмента тощо у відповідності до цих інструкцій, зважаючи на умови використання та роботу, яка має бути виконана. Використання електричних інструментів не за призначенням може призвести до виникнення

небезпечних ситуацій.

5. Використання та догляд за інструментом, що працює від батареї
 - a. Заряджайте інструмент лише за допомогою зарядного пристрою, що вказаний виробником. Зарядний пристрій, що може використовуватись з одним типом батарей, може призвести до пожежі, коли використовується з іншим комплектом батарей.
 - b. Використовуйте електричні інструменти лише зі спеціально розробленими комплектами батарей. Використання інших комплектів батарей може призвести до травм або пожежі.
 - c. Коли комплект батарей не використовується, зберігайте його подалі від таких металевих предметів, як скріпки, монети, ключі, цвяхи, гвинти або інші невеликі предмети, що можуть призвести до замикання двох контактів. Зімкнення терміналів батареї може призвести до вибуху або пожежі.
 - d. За невідповідних умов використання рідина може витікати з батареї, уникайте контакту з цією рідиною. Якщо контакт таки стався, промийте забруднену ділянку водою. Якщо рідина потрапила в очі, промийте водою та зверніться до лікаря. Рідина, що витікає з батареї, може призвести до подразнень та опіків.
6. Обслуговування
 - a. Передавайте електричний інструмент для обслуговування кваліфікованим спеціалістам з ремонту та використовуйте тільки ідентичні замінні деталі. Це забезпечить безпеку електричного пристрою.

Додаткові правила безпеки для електричного інструмента



Увага! Додаткові попередження з техніки безпеки для усіх моделей пил

Процедура різання

- a. **НЕБЕЗПЕЧНО!** Тримайте руки подалі від зони різання та пильного диска. Тримайте другу руку на додатковій ручці або корпусі електродвигуна. Якщо обидві руки тримають пилу, ви не поріжетеся диском.
- b. Не підставляйте руку під заготовку. Захисний кожух не зможе захистити ваші руки від диска, якщо вони знаходяться під заготовкою.
- c. Налаштуйте глибину розрізу відповідно до товщини заготовки. Необхідно, щоб частина зубця диска, яка виступає з-під заготовки, була меншою за його повну висоту.

- d. Ніколи не тримайте заготовку, що розрізується, у руках або на колінах. Закріпіть заготовку на стійкій платформі. Необхідно добре закріпити заготовку, щоб звести до мінімуму можливість контакту з тілом, заїдання леза або втрати контролю.
- e. Тримайте інструмент за ізольовану поверхню при виконанні операцій, коли ріжучі приладдя можуть торкнутися схованої проводки. У разі контакту різальних елементів з дротом під напругою може з'явитися напруга в металевих деталях інструмента, що може призвести до ураження оператора електричним струмом.
- f. Під час поздовжнього розпилювання використовуйте поздовжній шаблон або напрямний кутик. Це дасть можливість підвищити точність розрізу та зменшити можливість заїдання диска.
- g. Завжди використовуйте пильні диски відповідного розміру та з правильною формою отворів оправлення (ромбоподібні або круглі). Пильні диски, що не відповідають крипілним пристосуванням пили, обертаються несиметрично відносно центру, що може призвести до втрати контролю.
- h. Ніколи не використовуйте пошкоджені або невідповідні шайби та болти для кріплення пильного диска. Шайби та болти пильного диска були розроблені спеціально для вашої пили для оптимальної та безпечної роботи.

Додаткові інструкції з техніки безпеки для пили

Причини віддачі та відповідні попередження

- ◆ віддача — це раптова реакція на затискання, заїдання або розрегулювання пильного диска, що спричиняє рух неконтрольованої пили вгору в напрямку від заготовки до оператора;
- ◆ якщо пильний диск заїло або затиснуло під час розрізання, він зупиняється, а електродвигун спричиняє швидкий рух пристрою назад на оператора;
- ◆ якщо пильний диск викривлюється або займає неправильне положення в розрізі, зубці на задньому кінці диска можуть вийти з пропили на поверхню заготовки, що призведе до підстрибування пильного диска в напрямку до оператора.

Віддача є результатом невірної використання та/або некоректної роботи або невідповідних умов роботи, яких можна уникнути, уживаючи відповідних заходів, наведених нижче.

- a. Тримайте пилу міцно обома руками та розташуйте руки так, щоб можна було створити опір силам віддачі. Розташуйте тіло з одного боку диска, але не на одній лінії з диском. Віддача може призвести до відстрибування пили назад, але сили віддачі

можуть бути під контролем оператора, якщо будуть вжиті відповідні заходи.

- b. Якщо пильне полотно затиснене або необхідно перервати розпилювання за якоїсь причини, відпустіть вмикач та утримуйте пилу нерухомо, доки пильне полотно повністю не зупиниться. Ніколи не намагайтесь витягнути пилу з пропили, тому що може виникнути віддача. Проаналізуйте та вживайте необхідних заходів для уникнення затиснення полотна.
- c. Під час поновлення розпилювання заготовки вирівняйте пильний диск у пропили та переконайтесь в тому, що зубці не входять у зчеплення з матеріалом. Якщо пильне полотно затиснене, воно може піднятися та може виникнути віддача під час поновлення роботи пили.
- d. Закріпліть великі панелі для зменшення ризику затиснення диска та віддачі. Великі панелі можуть прогинатися під власною вагою. Опори необхідно розташувати під панеллю з обох боків, біля лінії розтину та біля краю панелі.
- e. Не використовуйте тупі та пошкоджені пильні диски. Незагострені та невірні встановлені пильні диски утворюють вузький пропили, що призводить до надмірного тертя, затиснення диска та віддачі.
- f. Перед розпилюванням необхідно міцно та надійно зафіксувати стопорні важелі глибини розрізання та кута нахилу диска. Якщо налаштування пильного полотна зсуваються під час розпилювання, може виникнути затиснення або віддача.
- g. Будьте особливо уважні при виконанні розрізів несучих стін або інших місць, де не видно, що знаходиться під поверхнею. Пильний диск може натрапити на предмет, що спричинить віддачу.

Функція нижнього захисного кожуха

- a. Перед використанням перевірте, щоб нижній захисний кожух був зафіксований відповідним чином. Не використовуйте пилу, якщо нижній захисний кожух не рухається вільно та не фіксується відразу ж. Ніколи не затискайте та не підв'язуйте нижній захисний кожух у відкритому положенні. Якщо пила випадково впаде, нижній захисний кожух може погнутися. Підніміть нижній захисний кожух за допомогою зворотної ручки та переконайтесь, що він вільно рухається і не торкається пильного диска та інших деталей в жодному з напрямків та за будь-якої глибини розпилювання.
- b. Перевірте роботу пружини нижнього захисного кожуха. Якщо захисний кожух або пружина працюють невірні, то перед використанням їх необхідно відремонтувати. Нижній захисний кожух

може працювати повільно через пошкоджені деталі, залишки гуми або іншого сміття.

с. Можна відвести нижній захисний кожух вручну лише для спеціальних розрізів, наприклад для «заглибних розрізів» та «складних розрізів».

Підніміть нижній захисний кожух за допомогою ручки для відведення, а тільки-но полотно ввійде в матеріал, нижній захисний кожух необхідно відпустити.

Для всіх інших видів розпилювання нижній захисний кожух працює автоматично.

d. Не забувайте стежити за тим, щоб нижній захисний кожух накривав пильний диск перед тим, як покласти пилу на верстак або підлогу. Незахищений диск може рухатись за інерцією у зворотному напрямку та порізати будь-що на своєму шляху. Пам'ятайте про час, необхідний для зупинки пильного диска після відпускання перемикача.

Залишкові ризики

Під час використання інструмента можуть виникнути додаткові залишкові ризики, які не внесені до попереджень щодо техніки безпеки в цьому посібнику. Ці ризики можуть виникнути як результат неправильного використання, тривалого використання тощо.

Незважаючи на виконання всіх відповідних правил техніки безпеки та використання захисних пристроїв, неможливо уникнути деяких залишкових ризиків. Сюди належать:

- ◆ Травми через контакт з деталями, що рухаються/обертаються.
- ◆ Травми під час заміни деталей, пильних дисків або аксесуарів.
- ◆ Травми через занадто тривале використання інструменту. Під час використання будь-якого інструменту протягом тривалого періоду часу не забувайте робити регулярні перерви.
- ◆ Порушення слуху.
- ◆ Небезпека для здоров'я через вдихання пилу, що утворюється під час використання інструменту (наприклад, при роботі з деревом, особливо з дубом, буком та ДВП).

Пильні диски

- ◆ Не використовуйте пильні диски більшого або меншого діаметру, ніж рекомендовано. Зверніться до технічних даних, щоб дізнатися, який диск вам потрібен. Використовуйте лише диски, що вказані в цьому посібнику та відповідають стандарту EN 847-1.
- ◆ **Увага!** Ніколи не використовуйте абразивні диски

Безпека оточення

- ◆ Цей пристрій не призначений для використання особами (включаючи дітей) із зниженими фізичними, сенсорними або розумовими можливостями або особами, яким бракує досвіду або знань за винятком випадків,

коли такі особи працюють під наглядом або отримали інструкції щодо використання пристрою від особи, яка несе відповідальність за їх безпеку.

- ◆ Уважно слідкуйте за тим, щоб діти не гралися з пристроєм.

Вібрація

Значення вібрації, вказані в технічних даних та в декларації про відповідність виміряні з дотриманням стандартних методів тестування, наданих в EN 60745, та їх можна використовувати для порівняння одного інструменту з іншим. Задекларовані значення вібрації можна також використовувати для попереднього оцінювання впливу вібрації.

Увага! Значення вібрації під час використання інструмента може відрізнитися від задекларованого в залежності від способів використання інструмента.

Рівень вібрації може перевищувати вказані значення. Оцінюючи вплив вібрації для визначення заходів безпеки за вимогами 2002/44/EC, щоб захистити людей, які регулярно використовують інструменти в роботі, необхідно враховувати реальні умови та способи використання інструмента, у тому числі всі періоди робочого циклу, наприклад час, коли інструмент вимкнено та коли він працює в режимі холодного ходу, а також час, потрібний для запуску інструмента.

Написи на інструменті

Наведені нижче символи нанесені на інструмент разом в кодом дати:



Увага! Щоб зменшити ризик травм, користувач повинен прочитати посібник з експлуатації.

Додаткові інструкції з техніки безпеки для батарей та зарядних пристроїв

Батареї

- ◆ Ніколи не намагайтесь відкривати батарею.
- ◆ Не занурюйте батарею у воду.
- ◆ Не зберігайте у місцях, де температура може перевищувати 40 °C.
- ◆ Заряджайте лише за температури навколишнього середовища між 10 °C та 40 °C.
- ◆ Заряджайте лише за допомогою зарядного пристрою, що надається з інструментом.
- ◆ При утилізації батарей дотримуйтесь інструкцій, наведених у розділі «Захист навколишнього середовища».



Не заряджайте пошкоджені батареї.

Зарядні пристрої

- ◆ Використовуйте зарядний пристрій Stanley FatMax для зарядки батарей лише того інструмента, з яким він був

у комплекті. Інші батареї можуть вибухнути, спричинивши травми та пошкодження.

- ◆ Ніколи не намагайтесь заряджати батареї, що не підлягають зарядці.
- ◆ Негайно замінійте пошкоджений дріт живлення.
- ◆ Уникайте контакту зарядного пристрою з водою.
- ◆ Не відкривайте корпус зарядного пристрою.
- ◆ Не розбирайте зарядний пристрій.



Зарядний пристрій призначений лише для використання в приміщенні.



Прочитайте інструкції цього посібника перед використанням.

Електрична безпека



Зарядний пристрій має подвійну ізоляцію, тому заземлення непотрібне. Завжди перевіряйте відповідність джерела живлення напрузі, що вказана на табличці з паспортними даними. Ніколи не намагайтесь замінити зарядний пристрій звичайним мережним штепселем.

- ◆ Якщо силовий кабель пошкоджений, його необхідно замінити у виробника або в офіційному сервісному центрі Stanley FATMAX для уникнення небезпеки.

Компоненти

Цей пристрій оснащено всіма або кількома з указаних нижче компонентів.

1. Вимикач
2. Кнопка блокування
3. Основна ручка
4. Додаткова ручка
5. Кнопка блокування шпindelя
6. Опорна пластина
7. Пильне полотно
8. Захисний кожух пильного диска
9. Отвір для викидання тирси
10. Акумулятор
11. Зарядний пристрій

Монтаж

Увага! Перед збиранням від'єднайте батарею від інструмента та переконайтесь, що пильний диск зупинився.

Пильні диски, що використовувались, можуть бути гарячими.

Встановлення та знімання пильного диска (рис. В)

Знімання

- ◆ Натисніть та утримуйте кнопку блокування шпindelя (5) та обертайте диск доти, поки не спрацює замок шпindelя.

- ◆ Відкрутіть та вийміть фіксувальний гвинт пильного диска (15), повертаючи його проти годинникової стрілки за допомогою шестигранного ключа (16).
- ◆ Зніміть зовнішню шайбу (14).
- ◆ Зніміть пильне полотно (7).

Встановлення

- ◆ Розташуйте пильне полотно на внутрішньому фланці (13), перевіривши, що стрілка на пильному полотні вказує в ту саму сторону, що й стрілка на інструменті.
- ◆ Встановіть зовнішню шайбу (14) на шпindelю так, щоб піднята частина була направлена від пильного полотна.
- ◆ Вставте стопорний гвинт пильного полотна (15) в отвір.
- ◆ Тримайте кнопку блокування шпindelя (5) натисненою.
- ◆ Надійно затягніть фіксувальний гвинт пильного диска, повертаючи його проти годинникової стрілки за допомогою шестигранного ключа (16) з комплекту.

Встановлення та знімання батареї (рис. С)

- ◆ Щоб установити батарею (10), вирівняйте її відносно відповідного відсіку в інструменті. Встановіть батарею у відсік та натисніть, щоб батарея стала на місце.
- ◆ Щоб виїняти акумулятор, натисніть на кнопки фіксації (17), одночасно виштовхуючи акумулятор з відсіку.

Використання

Увага! Інструмент повинен працювати з рекомендованою швидкістю. Не перевантажуйте його.

Цим інструментом можна працювати як правою, так і лівою рукою.

Встановлення батареї (рис. А)

Необхідно зарядити батарею перед першим використанням, а також коли вона не може забезпечити достатню потужність для виконання завдань, які легко виконувались раніше. Батарея може стати теплою під час зарядки: це нормально та не є показником проблеми.

Увага! Не заряджайте батарею за температури навколишнього середовища нижче 10 °C або вище 40 °C. Рекомендована температура зарядки: приблизно 24 °C.

Примітка. Зарядний пристрій не заряджає батарею, якщо її температура нижче приблизно 10 °C або вище 40 °C.

Батарею потрібно залишити у зарядному пристрої, який автоматично почне її заряджати, коли температура батареї підніметься або зменшиться.

- ◆ Для заряджання батареї (10) вставте її в зарядний пристрій (11). Батарею можна вставити в зарядний пристрій лише одним способом. Не прикладайте силу. Переконайтесь, що батарея вставлена в зарядний пристрій до кінця.
- ◆ Включіть зарядний пристрій у розетку мережі живлення.

Індикатор зарядки (12) почне блимати.

Зарядження завершено, коли індикатор (12) починає горіти постійно. Батарею можна залишати підключеною до зарядного пристрою на необмежений час. Індикатор буде увімкнений, коли зарядний пристрій підзаряджатиме батарею до необхідного рівня.

- ◆ Не тримайте батареї розрядженими більше 1 тижня. Термін служби батареї значно зменшується, якщо вона зберігається у незарядженому стані.

Залишення батареї в зарядному пристрої

Батареї можна залишити в зарядному пристрої на необмежений час з індикатором, який працює. Зарядний пристрій буде підтримувати батарею у повністю зарядженому стані.

Діагностика зарядного пристрою

Якщо зарядний пристрій виявляє слабку або пошкоджену батарею, індикатор зарядження (12) буде часто блимати червоним. Виконайте описані далі дії:

- ◆ Витягніть та вставте батарею знов (10).
- ◆ Якщо індикатор зарядження продовжує швидко блимати червоним, візьміть іншу батарею, щоб перевірити, чи правильно відбувається процес зарядження.
- ◆ Якщо інша батарея заряджається правильно, це означає, що оригінальна батарея пошкоджена, і її потрібно повернути до сервісного центру на переробку.
- ◆ Якщо нова батарея поводить себе так само, як і оригінальна, віднесіть зарядний пристрій на перевірку в один з авторизованих сервісних центрів.

Примітка. Потрібно до 30 хвилин, щоб визначити, що батарея пошкоджена. Якщо батарея занадто гаряча або холодна, індикатор буде по чергово миготіти швидко та повільно червоним (одне миготіння з кожною швидкістю, а потім повтор).

Регулювання кута розпилу (рис. D)

Скористуйтеся трикутником з прямим кутом, щоб перевірити, що кут між пильним полотном та підшовою становить 90°. Якщо кут становить не 90°, налаштуйте його наступним чином:

- ◆ Відпустіть ручку-фіксатор (20) для розблокування підшови пили.
- ◆ Відпустіть стопорну гайку (19) на регулювальному гвинті (18).
- ◆ Вкрутіть регулювальний гвинт або викрутіть його, щоб досягти кут 90°.
- ◆ Затягніть стопорну гайку.
- ◆ Затягніть ручку-фіксатор для блокування підшови пили у потрібному положенні.

Регулювання глибини різання (рис. E)

Глибина різання встановлюється відповідно до товщини заготовки. Вона має перевищувати товщину при бл. на 2 мм.

- ◆ Послабте фіксатор (21) для розблокування підшови пили.
- ◆ Установіть підшошу пили (6) у необхідне положення.
- ◆ Затягніть фіксатор для блокування підшови пили у потрібному положенні.

Регулювання кута нахилу (рис. F)

Інструмент передбачає регулювання кута нахилу в діапазоні 0° та 45°.

- ◆ Відпустіть ручку-фіксатор (20) для розблокування підшови пили.
- ◆ Установіть підшошу пили (6) у необхідне положення. Відповідний кут вертикального відхилення можна побачити на шкалі (22).
- ◆ Затягніть ручку-фіксатор для блокування підшови пили у потрібному положенні.

Увімкнення та вимкнення

- ◆ Щоб увімкнути інструмент, натисніть кнопку блокування у вимкненому положенні (2) та натисніть перемикач Увімк./Вимк. (1).
- ◆ Щоб вимкнути інструмент, відпустіть перемикач вперед/назад.

Розпилювання

Завжди тримайте інструмент обома руками

- ◆ Диск має спочатку просто попрацювати перед початком різання.
- ◆ Застосовуйте лише м'який тиск на інструмент при розпилюванні.
- ◆ Притискайте підшошу пили до поверхні заготовки.

Примітка. Стежте, щоб край пильного диска не перегрівався.

Використання напрямної (рис. G)

Інструмент оснащено напрямною для виконання прямого різання (23) та для різання під кутом 45° (24).

- ◆ Вирівняйте лівий край напрямних (23) або (24) з лінією розрізу (25).
- ◆ При різанні напрямна має знаходитись на одній лінії з лінією розрізу.
- ◆ Притискайте підшошу пили до поверхні заготовки.

Видалення пилу

Для підключення пилососу або пристрою для видалення пилу до інструменту необхідний адаптер.

- ◆ Вставте адаптер пристрою для видалення пилу до отвору для викидання тирси (9).
- ◆ Під'єднайте до адаптера шланг пилососу.

Підказки для оптимального використання

- ◆ Завжди використовуйте відповідні пильні диски залежно від матеріалу заготовки й типу розрізу.
- ◆ Завжди тримайте інструмент обома руками
- ◆ Диск має спочатку просто попрацювати перед початком різання.

- ◆ Застосовуйте лише м'який тиск на інструмент при розпилюванні.
- ◆ Притискайте підшву пили до поверхні заготовки.
- ◆ Оскільки певна кількість відколів по лінії відрізу з верхнього боку заготовки є неминучою, пиляйте з того боку, для якого наявність відколів є допустимою.
- ◆ У випадках коли відколи слід звести до мінімуму, наприклад під час розпилювання ламінатів, прикладіть та зафіксуйте лист фанери зверху заготовки.
- ◆ Закріплюйте великі панелі для зменшення ризику затиснення диска та віддачі. Великі панелі можуть прогинатися під власною вагою.
- ◆ Опори необхідно розташувати під панеллю з обох боків, біля лінії розтину та біля краю панелі, що розрізується.
- ◆ Ніколи не тримайте заготовку, що розрізується, у руках або на колінах.
- ◆ Закріпіть заготовку на стійкій платформі, використовуючи затискачі. Необхідно добре закріпити заготовку, щоб звести до мінімуму можливість контакту з тілом, заїдання леза або втрати контролю.

Приладдя

Продуктивність роботи інструмента залежить від приладдя, яке ви використовуєте.

Витратні матеріали виробництва компанії Stanley Fat Max розроблені з дотриманням високих стандартів якості та створені для підвищення ефективності використання вашого інструмента. Використовуючи це обладнання, ви отримаєте максимум ефективності від вашого інструменту.

Технічне обслуговування

Ваш інструмент призначено для роботи протягом довгого часу з мінімальним обслуговуванням. Тривала задовільна робота приладдя залежить від належного обслуговування приладу та регулярного його очищення.

Увага! Перед проведенням технічного обслуговування вимкніть інструмент та від'єднайте його від розетки.

- ◆ Регулярно очищуйте вентиляційні отвори інструменту та зарядного пристрою, використовуючи м'яку щітку або суху тканину.
- ◆ Регулярно очищуйте корпус двигуна вологою тканиною.
Не використовуйте абразивні очищувачі та засоби, що містять розчинники.

Заміна шнура живлення (тільки для Великобританії та Ірландії)

Якщо потрібно встановити нову вилку, виконайте кілька дій.

- ◆ Зніміть стару вилку та утилізуйте її, дотримуючись правил техніки безпеки.
- ◆ Приєднайте коричневий провідник до активного виходу нової вилки.

- ◆ Приєднайте блакитний провідник до нейтрального виходу.

Увага! Жоден провід не повинен бути підключений до клеми заземлення. Дотримуйтеся інструкцій щодо встановлення, які постачаються з якісними вилками. Плавкий запобіжник, що рекомендується: 5 А.

Захист навколишнього середовища



Роздільний збір. Пристрої та батареї, позначені цим символом, не можна викидати зі звичайним побутовим сміттям.

Пристрої та батареї містять матеріали, які можна відновити та переробити, що зменшить потребу у сировині. Будь ласка, віддавайте електричні інструменти та батареї на переробку відповідно до місцевих постанов. Більш детальну інформацію можна отримати на сайті www.2helpU.com

Технічні характеристики

| | | FMC660 (тип 1) |
|--|-----------------------------|----------------|
| Вхідна напруга | V _{пост.} (струму) | 18 |
| Швидкість без навантаження | хв. ⁻¹ | 0 - 4000 |
| Максимальна глибина розрізу | мм | 54 |
| Максимальна глибина розрізу під кутом нахилу 45° | мм | 45 |
| Діаметр пильного диска | мм | 165 |
| Діаметр отвору диска | мм | 16 |
| Товщина різальної кромки диска | мм | 2,0 |
| Маса | кг | 3,4 |

| Зарядний пристрій | | 905765** тип 1 |
|-----------------------------------|-----------------------------|----------------|
| Вхідна напруга | V _{AC} | 220 - 240 |
| Вихідна напруга | V _{пост.} (струму) | 20 (макс.) |
| Струм | A | 2 |
| Приблизний час першого зарядження | хв. | 120 |

| Акумулятор | | FMC688L |
|------------|------------------|-------------|
| Напруга | V (пост. струму) | 18 |
| Ємність | ам-пер-го-дин | 4,0 |
| Тип | | Літій-іонна |

| |
|--|
| L_{pA} (звуковий тиск) 79 дБ(A), похибка (K) 3 дБ(A) |
| L_{WA} (звукова потужність) 90 дБ(A), похибка (K) 3 дБ(A) |
| Загальні значення вібрації (векторна сума трьох векторів) згідно з EN 60745: |
| Розрізання дощок ($a_{h,v}$) 2,4 м/с ² , похибка (K) 1,5 м/с ² |

Декларація про відповідність нормам ЄС

ДИРЕКТИВА ДЛЯ МЕХАНІЧНОГО ОБЛАДНАННЯ



Акумуляторна лобзикова пила – FMC650

Компанія Stanley Europe заявляє, що продукти, описані у розділі «Технічні дані» відповідають вимогам:

2006/42/EC, EN 60745-1, EN 60745-2-11

Ці продукти також відповідають Директиві 2004/108/EC і 2011/65/EU. Для отримання додаткової інформації, будь ласка, зверніться до компанії Stanley Europe за наведеною нижче адресою або прочитайте інформацію на зворотному боці цього посібника.

Особа, яка підписалася нижче, несе відповідальність за упорядкування файлу технічних характеристик та робить цю заяву від компанії Stanley Europe.

Ед Хігінс

Директор з побутових електроінструментів
Stanley Europe, Egide Walschaertsstraat 14-18,
2800 Mechelen, Бельгія
19/05/2020

Гарантія

Компанія Stanley Europe впевнена в якості своєї продукції та пропонує споживачам гарантію тривалістю 12 місяців з дати покупки. Ця гарантія доповнює і жодним чином не обмежує ваші законні права. Ця гарантія є чинною на території країн-членів Європейського Союзу та в європейській зоні вільної торгівлі.

Позив за гарантією повинен відповідати умовам компанії Stanley FATMAX, при цьому вам необхідно буде надати доказ покупки продавцю або спеціалісту офіційного сервісного центру. Умови 1-річної гарантії компанії Stanley Europe та місцезнаходження найближчого сервісного центру можна дізнатися в інтернеті на сайті www.2helpU.com або звернутися до місцевого представництва компанії Stanley Europe за адресою, вказаною у цьому керівництві.

Відвідайте наш сайт www.stanley.eu/3, щоб зареєструвати свій новий продукт STANLEY FATMAX та отримувати інформацію про нові продукти та спеціальні пропозиції.



Виробник:

"Stanley Black & Decker Deutschland GmbH" Black-&-Decker Str.40, D-65510 Idstein, Німеччина

STANLEY

ГАРАНТІЙНИЙ ТАЛОН

**2 РОКИ
ГАРАНТІЇ**

- Вітаємо Вас з покупкою високоякісного виробу Stanley і висловлюємо вдячність за Ваш вибір.
- При покупці виробу вимагайте перевірки його комплектності і справності у Вашій присутності, інструкцію з експлуатації та заповнений гарантійний талон українською мовою. В гарантійному талоні повинні бути внесені: модель, дата продажу, серійний номер, дата виробництва інструменту; назва, печатка і підпис торгової організації. За відсутності у Вас правильно заповненого гарантійного талону, а також при невідповідності зазначених у ньому даних ми будемо змушені відхилити Ваші претензії щодо якості даного виробу.
- Щоб уникнути непорозумінь, переконливо просимо Вас перед початком роботи з виробом уважно ознайомитися з інструкцією з його експлуатації. Правовою основою справжніх гарантійних умов є чинне Законодавство. Гарантійний термін на даний виріб складає 24 місяці і обчислюється з дня продажу. У разі усунення недоліків виробу, гарантійний строк продовжується на період його перебування в ремонті. Термін служби виробу становить 5 років з дня продажу.
- У разі виникнення будь-яких проблем у процесі експлуатації виробу рекомендуємо Вам звертатися тільки в уповноважені сервісні центри Stanley, адреси та телефони яких Ви зможете знайти в гарантійному талоні, на сайті www.2helpU.com або дізнатися в магазині. Наші сервісні станції - це не тільки кваліфікований ремонт, але і широкий асортимент запчастин і аксесуарів.
- Виробник рекомендує проводити періодичну перевірку і технічне обслуговування виробу в уповноважених сервісних центрах.
- Наші гарантійні зобов'язання поширюються тільки на несправності, виявлені протягом гарантійного терміну і викликані дефектами виробництва та \ або матеріалів.
- Гарантійні умови не поширюються на несправності виробу, що виникли в результаті:
 - Недотримання користувачем приписів інструкції з експлуатації виробу, застосування виробу не за призначенням, неправильного зберігання, використання приладдя, витратних матеріалів і запчастин, що не передбачені виробником.
 - Механічного пошкодження (відколю, тріщини і руйнування) внутрішніх і зовнішніх деталей виробу, основних і допоміжних рукояток, мережевого кабелю, що викликані зовнішнім ударним або будь-яким іншим впливом
 - Потраплення у вентиляційні отвори та проникнення всередину виробу сторонніх предметів, матеріалів або речовин, що не є відходами, які супроводжують застосування виробу за призначенням, такими як: стружка, тирса, пісок, та ін.
 - Впливу на виріб несприятливих атмосферних і інших зовнішніх факторів, таких як дощ, сніг, підвищена вологість, нагрівання, агресивні середовища, невідповідність параметрів електромережі, що зазначені на інструменті.
 - Стихійного лиха. Пошкодження або втрати виробу, що пов'язані з непередбаченими лихами, стихійними явищами, у тому числі внаслідок дії неперервної сили (пожежа, блискавка, потоп і інші природні явища), а також внаслідок перепадів напруги в електромережі та іншими причинами, які знаходяться поза контролем виробника.
- Гарантійні умови не поширюються:
 - На інструменти, що піддавались розкриттю, ремонту або модифікації поза уповноваженим сервісним центром.
 - На деталі, вузли та матеріали, що мають сліди природного зносу, такі як: приводні ремені і колеса, вугільні щітки, мастило, підшипники, зубчасті зчеплення редукторів, гумові ущільнення, сальники, направляючі ролики, муфти, вимикачі, бойки, штовхачі, стовпи тощо.
 - На змінні частини: патрони, цанги, затискні гайки і фланці, фільтри, ножі, шліфувальні підшови, ланцюги, зірочки, пильні шини, захисні кошуки, пилки, абразиви, пильні і абразивні диски, фрези, свердла, бури тощо
 - На несправності, що виникли в результаті перевантаження інструменту (як механічного, так і електричного), що спричинили вихід з ладу одночасно двох і більше деталей і вузлів, таких як: ротора і статора, обох обмоток статора, веденої і ведучої шестерні редуктора або інших вузлів і деталей. До безумовних ознак перевантаження виробу відносяться, крім інших: поява кольорів мільниці, деформація або оплавлення деталей і вузлів виробу, потемніння або обуглювання ізоляції проводів електродровуна під впливом високої температури.

Товар отриманий в справному стані, без видимих ушкоджень, в повній комплектації, перевірений у моїй присутності, претензій щодо якості товару не маю. З умовами гарантійного обслуговування ознайомлений і згоден.

П. І. Б. та підпис власника _____

Шановні клієнти, наша мережа авторизованих сервісних центрів постійно розширюється. Актуальну інформацію про обслуговування в місті, що цікавить вас, ви можете дізнатися на сайті

www.2helpU.com

Редакція ВК/12-12-2018

Інформація про інструмент

| | |
|--------------------------|--|
| Найменування інструменту | |
| Модель | |
| Найменування продавця | |
| Дата продажу | |

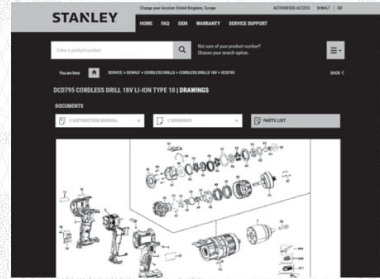
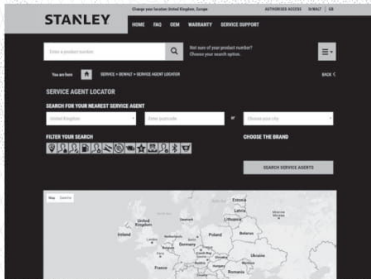
М.П.
Продавця

Серійний номер/Дата виробництва

| | |
|-------------------|--|
| Інструмент | |
| Зарядний пристрій | |
| Акумулятор 1 | |
| Акумулятор 2 | |

На сайті www.2helpU.com доступні наступні функції:

- Список авторизованих сервісних центрів
- Зручний пошук найближчого сервісного центру
- Керівництво з експлуатації
- Технічні характеристики
- Список деталей і запасних частин
- Схема складання інструменту



Також дану інформацію ви можете отримати, зателефонувавши за номером: **0 (800) 211 521** в Україні

ВІДІТКА ПРО ПРОВЕДЕННЯ СЕРВІСНОГО ОБСЛУГОВУВАННЯ

| №1 | №2 | №3 | №4 |
|------------------------------------|------------------------------------|------------------------------------|------------------------------------|
| № замовлення | № замовлення | № замовлення | № замовлення |
| Дата прийому | Дата прийому | Дата прийому | Дата прийому |
| Дата ремонту | Дата ремонту | Дата ремонту | Дата ремонту |
| Печатка і підпис сервісного центру | Печатка і підпис сервісного центру | Печатка і підпис сервісного центру | Печатка і підпис сервісного центру |

