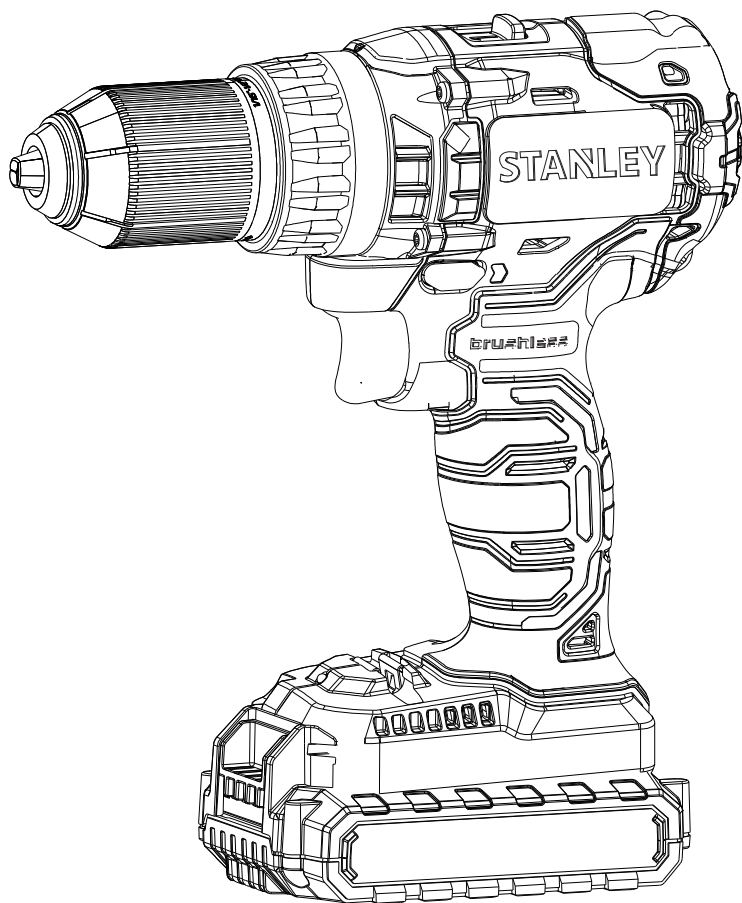
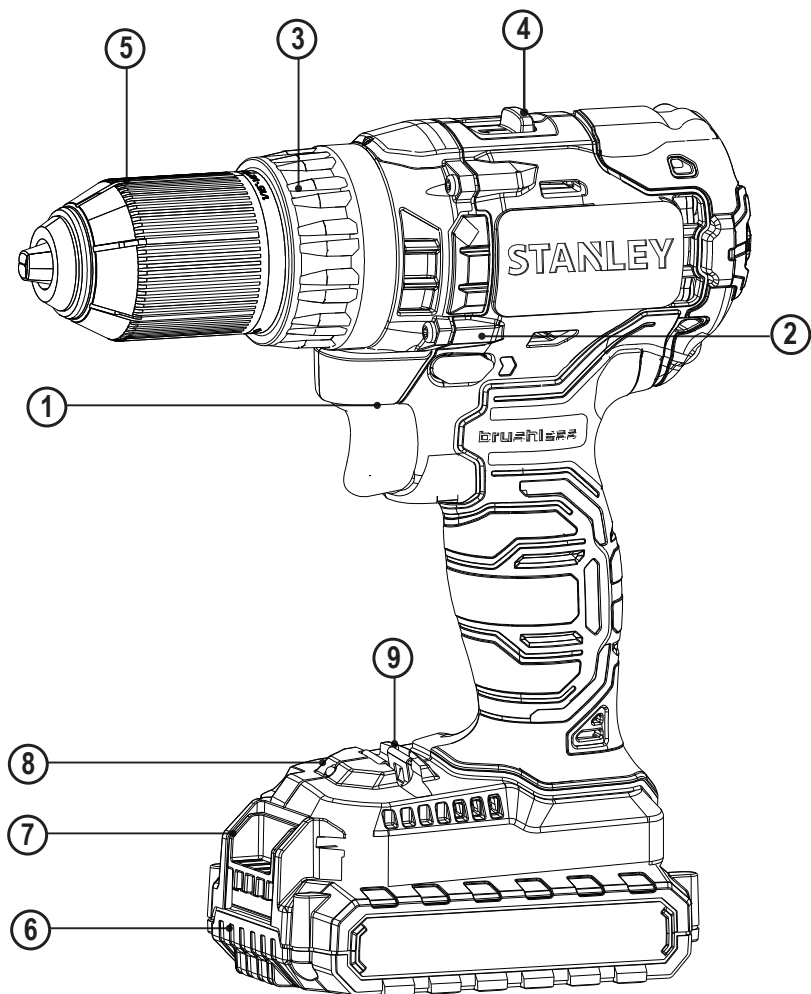


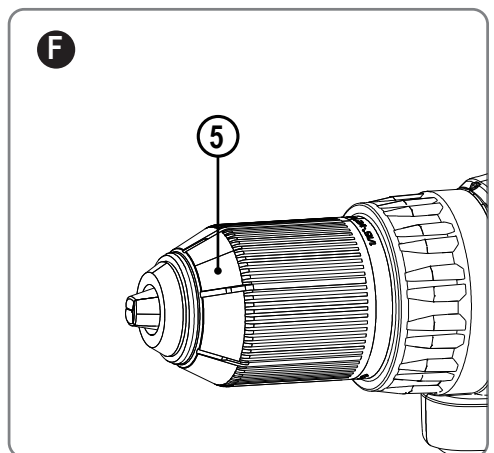
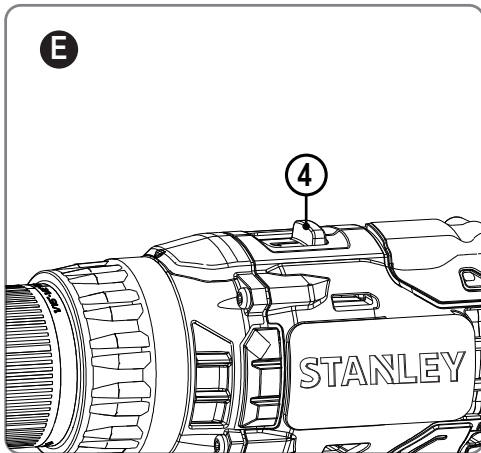
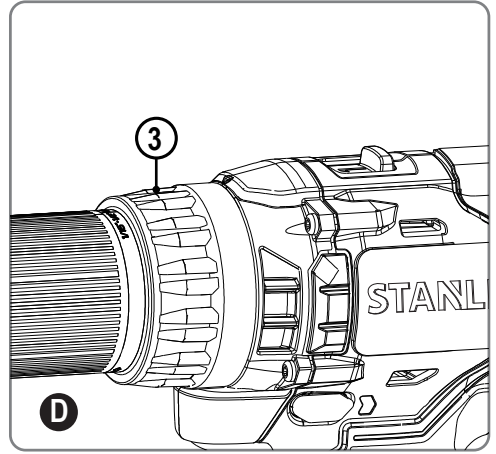
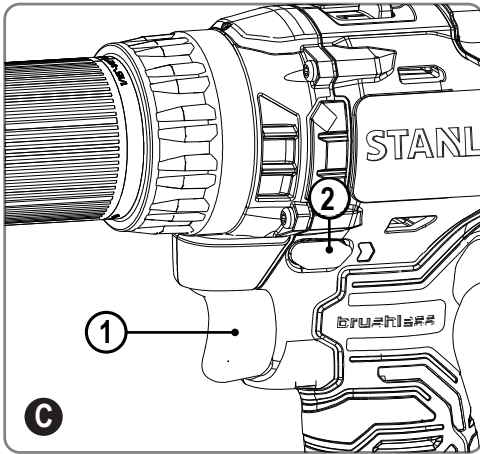
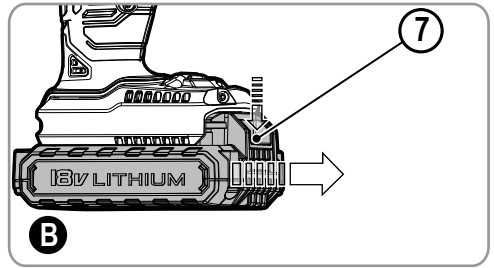
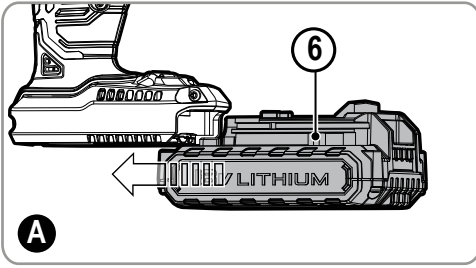
STANLEY®



SBD20

English	Page	04
Turkish	Page	11
Russian	Page	19
Ukrainian	Page	28





Intended use

Your Stanley SBD20 drill/screwdriver has been designed for screwdriving applications and for drilling in wood, metal and plastics. This tool is intended for professional use.

SAFETY INSTRUCTIONS

General power tool safety warnings



Warning! Read all safety warnings and all instructions. Failure to follow the warnings and instructions listed below may result in electric

shock, fire and/or serious injury.

Save all warnings and instructions for future reference.

The term "power tool" in all of the warnings listed below refers to your mains operated (corded) power tool or battery operated (cordless) power tool.

1. **Work area safety**
 - a. **Keep work area clean and well lit.** Cluttered or dark areas invite accidents.
 - b. **Do not operate power tools in explosive atmospheres, such as in the presence of flammable liquids, gases or dust.** Power tools create sparks which may ignite the dust or fumes.
 - c. **Keep children and bystanders away while operating a power tool.** Distractions can cause you to lose control.
2. **Electrical safety**
 - a. **Power tool plugs must match the outlet. Never modify the plug in any way. Do not use any adapter plugs with earthed (grounded) power tools.** Unmodified plugs and matching outlets will reduce risk of electric shock.
 - b. **Avoid body contact with earthed or grounded surfaces such as pipes, radiators, ranges and refrigerators.** There is an increased risk of electric shock if your body is earthed or grounded.
 - c. **Do not expose power tools to rain or wet conditions.** Water entering a power tool will increase the risk of electric shock.
 - d. **Do not abuse the cord. Never use the cord for carrying, pulling or unplugging the power tool. Keep cord away from heat, oil, sharp edges or moving parts.** Damaged or entangled cords increase the risk of electric shock.
 - e. **When operating a power tool outdoors, use an extension cord suitable for outdoor use.** Use of a cord suitable for outdoor use reduces the risk of electric shock.
 - f. **If operating a power tool in a damp location is unavoidable, use a residual current device (RCD) protected supply.** Use of an RCD reduces the risk of electric shock.
3. **Personal safety**
 - a. **Stay alert, watch what you are doing and use common sense when operating a power tool. Do not use a power tool while you are tired or under the influence of drugs, alcohol or medication.** A moment of inattention while operating power tools may result in serious personal injury.
 - b. **Use personal protective equipment. Always wear eye protection.** Protective equipment such as dust mask, non-skid safety shoes, hard hat, or hearing protection used for appropriate conditions will reduce personal injuries.
 - c. **Prevent unintentional starting. Ensure the switch is in the off-position before connecting to power source and/or battery pack, picking up or carrying the tool.** Carrying power tools with your finger on the switch or energising power tools that have the switch on invites accidents.
 - d. **Remove any adjusting key or wrench before turning the power tool on.** A wrench or a key left attached to a rotating part of the power tool may result in personal injury.
 - e. **Do not overreach. Keep proper footing and balance at all times.** This enables better control of the power tool in unexpected situations.
 - f. **Dress properly. Do not wear loose clothing or jewellery. Keep your hair, clothing and gloves away from moving parts.** Loose clothes, jewellery or long hair can be caught in moving parts.
 - g. **If devices are provided for the connection of dust extraction and collection facilities, ensure these are connected and properly used.** Use of dust collection can reduce dust-related hazards.
4. **Power tool use and care**
 - a. **Do not force the power tool. Use the correct power tool for your application.** The correct power tool will do the job better and safer at the rate for which it was designed.
 - b. **Do not use the power tool if the switch does not turn it on and off.** Any power tool that cannot be controlled with the switch is dangerous and must be repaired.
 - c. **Disconnect the plug from the power source and/or the battery pack from the power tool before making any adjustments, changing accessories, or storing power tools.** Such preventive safety measures reduce the risk of starting the power tool accidentally.
 - d. **Store idle power tools out of the reach of children and do not allow persons unfamiliar with the power tool or these instructions to operate the power tool.** Power tools are dangerous in the hands of untrained users.

- e. **Maintain power tools. Check for misalignment or binding of moving parts, breakage of parts and any other condition that may affect the power tools operation. If damaged, have the power tool repaired before use.** Many accidents are caused by poorly maintained power tools.
- f. **Keep cutting tools sharp and clean.** Properly maintained cutting tools with sharp cutting edges are less likely to bind and are easier to control.
- g. **Use the power tool, accessories and tool bits etc. in accordance with these instructions, taking into account the working conditions and the work to be performed.** Use of the power tool for operations different from those intended could result in a hazardous situation.

5. Battery tool use and care

- a. **Recharge only with the charger specified by the manufacturer.** A charger that is suitable for one type of battery pack may create a risk of fire when used with another battery pack.
- b. **Use power tools only with specifically designated battery packs.** Use of any other battery packs may create a risk of injury and fire.
- c. **When battery pack is not in use, keep it away from other metal objects, like paper clips, coins, keys, nails, screws, or other small metal objects, that can make a connection from one terminal to another.** Shorting the battery terminals together may cause burns or a fire.
- d. **Under abusive conditions, liquid may be ejected from the battery; avoid contact. If contact accidentally occurs, flush with water. If liquid contacts eyes, additionally seek medical help.** Liquid ejected from the battery may cause irritation or burns.

6. Service

- a. **Have your power tool serviced by a qualified repair person using only identical replacement parts.** This will ensure that the safety of the power tool is maintained.

ADDITIONAL POWER TOOL SAFETY WARNINGS



Warning! Additional safety warnings for drills/screwdrivers

- **Wear ear protectors when impact drilling.** Exposure to noise can cause hearing loss.
- **Use auxiliary handles supplied with the tool.** Loss of control can cause personal injury.
- **Hold power tool by insulated gripping surfaces when performing an operation where the cutting accessory**

may contact hidden wiring. Cutting accessory contacting a "live" wire may make exposed metal parts of the power tool "live" and could give the operator an electric shock.

- **Hold power tool by insulated gripping surfaces, when performing an operation where the fastener may contact hidden wiring.** Fasteners contacting a "live" wire may make exposed metal parts of the power tool "live" and could give the operator an electric shock.
- **Use clamps or another practical way to secure and support the workpiece to a stable platform.** Holding the work by hand or against your body leaves it unstable and may lead to loss of control.
- Before drilling into walls, floors or ceilings, check for the location of wiring and pipes.
- Avoid touching the tip of a drill bit just after drilling, as it may be hot.
- The intended use is described in this instruction manual. The use of any accessory or attachment or performance of any operation with this tool other than those recommended in this instruction manual may present a risk of personal injury and/or damage to property.

SAFETY OF OTHERS

- This tool is not intended for use by persons (including children) with reduced physical, sensory or mental capabilities, or lack of experience and knowledge, unless they have been given supervision or instruction concerning use of the tool by a person responsible for their safety.
- Children should be supervised to ensure that they do not play with the appliance.

Residual risks

Additional residual risks may arise when using the tool which may not be included in the enclosed safety warnings. These risks can arise from misuse, prolonged use etc.

Even with the application of the relevant safety regulations and the implementation of safety devices, certain residual risks can not be avoided. These include:

- Injuries caused by touching any rotating/moving parts.
- Injuries caused when changing any parts, blades or accessories.
- Injuries caused by prolonged use of a tool. When using any tool for prolonged periods ensure you take regular breaks.
- Impairment of hearing.
- Health hazards caused by breathing dust developed when using your tool (example:- working with wood, especially oak, beech and MDF.)

LABELS ON TOOL

The following symbols are shown on the tool along with the date code:



Warning! To reduce the risk of injury, the user must read the instruction manual.



Always wear safety goggles



Always wear safety hearing protection

POSITION OF DATE CODE

The Date Code, which also includes the year of manufacture, is printed into the housing.

Example:

2017 XX JN
Year of manufacturing

Additional safety instructions for batteries and chargers

Batteries

- Never attempt to open for any reason.
- Do not expose the battery to water.
- Do not store in locations where the temperature may exceed 40 °C.
- Charge only at ambient temperatures between 10 °C and 40 °C.
- Charge only using the charger provided with the tool.
- When disposing of batteries, follow the instructions given in the section "Protecting the environment".



Do not attempt to charge damaged batteries.

Chargers

- Use your Stanley charger only to charge the battery in the tool with which it was supplied. Other batteries could burst, causing personal injury and damage.
- Never attempt to charge non-rechargeable batteries.
- Have defective cords replaced immediately.
- Do not expose the charger to water.
- Do not open the charger.
- Do not probe the charger.



The charger is intended for indoor use only.



Read the instruction manual before use.

Electrical safety



Your charger is double insulated; therefore no earth wire is required. Always check that the mains voltage corresponds to the voltage on the rating plate. Never attempt to replace the charger unit with a regular mains plug.

- If the supply cord is damaged, it must be replaced by the manufacturer or an authorised Stanley Service Centre in order to avoid a hazard.

FEATURES

This appliance includes some or all of the following features.

1. Trigger Switch
2. Forward/Reverse Button
3. Torque Adjust Collar
4. Dual Range Gear Selector
5. Keyless Chuck
6. Battery
7. Battery Release Button
8. LED Work Light
9. Bit Tip Holder

Use

Warning! Let the tool work at its own pace. Do not overload.

CHARGING THE BATTERY

The battery needs to be charged before first use and whenever it fails to produce sufficient power on jobs that were easily done before. The battery may become warm while charging; this is normal and does not indicate a problem.

Warning! Do not charge the battery at ambient temperatures below 10 °C or above 40 °C. Recommended charging temperature: approx. 24 °C.

Note: The charger will not charge a battery if the cell temperature is below approximately 10 °C or above 40 °C.

The battery should be left in the charger and the charger will begin to charge automatically when the cell temperature warms up or cools down.

- Plug the charger into an appropriate outlet before inserting the battery pack.
- Insert the battery pack into the charger.



The green LED will flash indicating that the battery is being charged.



The completion of charge is indicated by the green LED remaining on continuously.

The pack is fully charged and may be used at this time or left in the charger.

Warning! Recharge discharged batteries as soon as possible after use or battery life may be greatly diminished.

overheating or deep discharge. The tool will automatically turn off if the Electronic Protection System engages. If this occurs, place the Li-Ion battery on the charger until it is fully charged.

Charger diagnostics

This charger is designed to detect certain problems that can arise with the battery packs or the power source. Problems are indicated by one LED flashing in different patterns.

Bad Battery



The charger can detect a weak or damaged battery. The red LED flashes in the pattern indicated on the label. If you see this bad battery blink pattern, do not continue to charge the battery. Return it to a service centre or a collection site for recycling.

Hot/Cold Pack Delay



When the charger detects a battery that is excessively hot or excessively cold, it automatically starts a Hot/Cold Pack delay, suspending charging until the battery has normalised. After this happens, the charger automatically switches to the Pack Charging mode. This feature ensures maximum battery life. The red LED flashes in the pattern indicated on the label when the Hot/Cold pack delay is detected.

Problem Power Line



When the charger is used with some portable power sources such as generators or sources that convert DC to AC, the charger may temporarily suspend operation. The LED flashes in the pattern indicated on the label. This indicates that the power source is out of limits..

Leaving the battery in the charger

The charger and battery pack can be left connected with the LED glowing indefinitely. The charger will keep the battery pack fresh and fully charged.

Li-Ion battery packs only

Li-Ion batteries are designed with an Electronic Protection System that will protect the battery against overloading,

IMPORTANT CHARGING NOTES

- Longest life and best performance can be obtained if the battery pack is charged when the air temperature is between (18°- 24°C). DO NOT charge the battery pack in an air temperature below (+4.5°C), or above (+40.5°C). This is important and will prevent serious damage to the battery pack.
- The charger and battery pack may become warm to touch while charging. This is a normal condition, and does not indicate a problem. To facilitate the cooling of the battery pack after use, avoid placing the charger or battery pack in a warm environment such as in a metal shed, or an uninsulated trailer.
- If the battery pack does not charge properly:
- Check current at receptacle by plugging in a lamp or other appliance.
- Check to see if receptacle is connected to a light switch which turns power off when you turn out the lights.
- Move charger and battery pack to a location where the surrounding air temperature is approximately (18°- 24°C). If charging problems persist, take the tool, battery pack and charger to your local Stanley service center.
- The battery pack should be recharged when it fails to produce sufficient power on jobs which were easily done previously.
- DO NOT CONTINUE to use under these conditions. Follow the charging procedure.
- You may also charge a partially used pack whenever you desire with no adverse affect on the battery pack.

NOTE: Make sure your battery pack (6) is fully charged.

To install the battery pack into the tool - figure A

- Align the battery pack with the rails inside the handle.
- Slide it firmly into place until you hear the lock snap into place.

To remove the battery pack from the tool - figure B

- Press the battery release button (7) and firmly pull the battery pack out of the tool handle.
- Insert battery pack into the charger as described in the charger section of this manual.

To remove the battery pack from the tool - figure B

- Press the battery release button (7) and firmly pull the battery pack out of the tool handle.
- Insert battery pack into the charger as described in the charger section of this manual.

USE

Trigger switch & forward/reverse button - figure C

- The drill is turned ON and OFF by pulling and releasing the trigger switch (1) shown in figure C. The farther the trigger is depressed, the higher the speed of the drill.
- A forward/reverse control button (2) determines the rotational direction of the tool and also serves as a lock off button.
- To select forward rotation, release the trigger switch and depress the forward/reverse control button on the right side of the tool.
- To select reverse, depress the forward/reverse control button on the left side of the tool.
- The center position of the control button locks the tool in the off position. When changing the position of the control button, be sure the trigger is released.

USE

Adjusting torque control - figure D

This tool is fitted with a torque adjustment collar (3) to select the operating mode and to set the torque for tightening screws. Large screws and hard workpiece materials require a higher torque setting than small screws and soft workpiece materials.

- For drilling in wood, metal and plastics, set the collar to the drilling position symbol.
- For screwdriving, set the collar to the desired setting. If you do not yet know the appropriate setting, proceed as follows:
- Set the collar to the lowest torque setting.
- Tighten the first screw.
- If the clutch ratchets before the desired result is achieved, increase the collar setting and continue tightening the screw.
- Repeat until you reach the correct setting.
- Use this setting for the remaining screws.

Dual range switch - figure E

The dual range feature of your drill allows you to shift gears for greater versatility.

- To select low speed, high torque setting (position 1), turn tool off and permit to stop. Slide gear shifter button (4) away from the chuck.
- To select the high speed, low torque setting (position 2), turn tool off and permit to stop. Slide gear shifter button back toward the chuck.

Note: Do not change gears when tool is running. If you are having trouble changing gears, make sure that the dual range gear button is either completely pushed forward or completely pushed back.

Keyless chuck - figure F

Warning! Make certain the battery pack is removed to prevent tool actuation before installing or removing accessories.

To insert a drill bit or other accessory:

- Grasp the chuck (5) and rotate it in the counterclockwise direction, as viewed from the chuck end.
- Insert the bit or other accessory fully into the chuck, and tighten securely by rotating the chuck in the clockwise direction as viewed from the chuck end.

Warning! Do not attempt to tighten or loosen drill bits (or any other accessory) by gripping the front part of the chuck and turning the tool on. Damage to the chuck and personal injury may occur when changing accessories.

Screw driving

- For driving fasteners, the forward/reverse button should be pushed to the left.
- Use reverse (button pushed to the right) for removing fasteners.

Note: When moving from forward to reverse, or vice versa, always release the trigger switch first.

Drilling

- Use sharp drill bits only.
- Support and secure work properly, as instructed in the Safety Instructions.
- Use appropriate and required safety equipment, as instructed in the Safety Instructions.
- Secure and maintain work area, as instructed in the Safety Instructions.
- Run the drill very slowly, using light pressure, until the hole is started enough to keep the drill bit from slipping out of it.
- Apply pressure in a straight line with the bit. Use enough pressure to keep the bit biting but not so much as to stall the motor or deflect the bit.
- Hold the drill firmly with two hands, one hand on the handle, and the other gripping the bottom around the battery area or the auxiliary handle if provided.
- **DO NOT CLICK THE TRIGGER OF A STALLED DRILL OFF AND ON IN AN ATTEMPT TO START IT. DAMAGE TO THE DRILL CAN RESULT.**
- Minimize stalling on breakthrough by reducing pressure and slowly drilling through the last part of the hole.
- Keep the motor running while pulling the bit out of a drilled hole. This will help reduce jamming.
- Make sure switch turns drill on and off.

Drilling in wood

Holes in wood can be made with the same twist drill bits used for metal or with spade bits.

These bits should be sharp and should be pulled out frequently when drilling to clear chips from the flutes.

Drilling in metal

Use a cutting lubricant when drilling metals. The exceptions are cast iron and brass which should be drilled dry. The cutting lubricants that work best are sulphurized cutting oil.

LED work light

When drill is activated by pulling the trigger switch (1), the integrated LED work light (8) will automatically illuminate the work area.

Note: The work light is for lighting the immediate work surface and is not intended to be used as a flashlight.

Bit tip holder

A bit storage slot (9) is built into the base of the tool.

Troubleshooting

Problem	Possible cause	Possible solution
Unit will not start.	Battery pack not installed properly. Battery pack not charged.	Check battery pack installation. Check battery pack charging requirements
Unit starts immediately upon inserting battery	The switch has been left in the "on" position.	The switch must be moved to "off" to prevent the tool from immediately starting when battery is inserted.
Battery pack will not charge.	Battery pack not inserted into charger. Charger not plugged in. Surrounding air temperature too hot or too cold.	Insert battery pack into charger until LED lights. Plug charger into a working outlet. Move charger and battery pack to a surrounding air temperature of above 40 degrees F (45°C) or below 105 degrees F (+40.5°C)
Unit shuts off abruptly.	Battery pack has reached its maximum thermal limit. Out of charge. (To maximize the life of the battery pack it is designed to shut off abruptly when the charge is depleted)	Allow battery pack to cool down. Place on charger and allow to charge.

MAINTENANCE

Your Stanley tool has been designed to operate over a long period of time with a minimum of maintenance. Continuous satisfactory operation depends upon proper tool care and regular cleaning.

Your charger does not require any maintenance apart from regular cleaning.

Warning! Before performing any maintenance on the tool, remove the battery from the tool. Unplug the charger before cleaning it.

- Regularly clean the ventilation slots in your tool and charger using a soft brush or dry cloth.
- Regularly clean the motor housing using a damp cloth. Do not use any abrasive or solvent-based cleaner.
- Regularly open the chuck and tap it to remove any dust from the interior.

PROTECTING THE ENVIRONMENT



Separate collection. This product must not be disposed of with normal household waste.

Should you find one day that your STANLEY product needs replacement, or if it is of no further use to you, do not dispose of it with household waste. Make this product available for separate collection.



STANLEY provides a facility for the collection and recycling of STANLEY products once they have reached the end of their working life. To take advantage of this service please return your product to any authorised repair agent who will collect them on our behalf.

You can check the location of your nearest authorised repair agent by contacting your local STANLEY office at the address indicated in this manual. Alternatively, a list of authorised STANLEY repair agents and full details of our after-sales service and contacts are available on the Internet at: www.2helpU.com.

Batteries



STANLEY batteries can be recharged many times. At the end of their useful life, discard batteries with due care for our environment:

- Run the battery down completely, then remove it from the tool.
- NiCd, NiMH and Li-Ion batteries are recyclable. Take them to any authorized repair agent or a local recycling station.

Notes

STANLEY's policy is one of continuous improvement to our products and as such, we reserve the right to change product specifications without prior notice. Standard equipment and accessories may vary by country. Product specifications may differ by country.

Complete product range may not be available in all countries. Contact your local STANLEY dealers for range availability

TECHNICAL DATA

		SBD20
Voltage	V _{DC}	18V
No-load speed	Min ⁻¹	0-430/0-1700
Max. torque	Nm	55
Chuck capacity	mm	13
Max Drilling capacity		
Steel/wood	mm	13/35
Weight	kg	1.5

EC declaration of conformity
MACHINERY DIRECTIVE



SBD20- Drill / Screwdriver

STANLEY declares that these products described under "technical data" are in compliance with: 2006/42/EC, EN 60745-1:2009 + A11:2010, EN 60745-2-1:2010

These products also comply with Directive 2014/30/EU and 2011/65/EU. For more information, please contact STANLEY at the following address or refer to the back of the manual.

The undersigned is responsible for compilation of the technical file and makes this declaration on behalf of STANLEY.

R.Laverick

Engineering Manager

STANLEY, Europe, Egide Walschaertsstraat14-18,
2800 Mechelen, Belgium
01.2017

Charger		SC201	SC202
Input voltage	V_{AC}	220-240	220-240
Output voltage	V_{DC}	18	18
Current	mA	1000	2000
Approx. charge time	Mins	80-240	40-120

Battery		SB20C	SB20S	SB20D	SB20M
Voltage	V_{AC}	18	18	18	18
Capacity	Ah	1.3	1.5	2.0	4.0
Type		Li-Ion	Li-Ion	Li-Ion	Li-Ion

Level of sound pressure according to EN 60745:	
Sound pressure (L_{pA})	72 dB(A), uncertainty (K) 3 dB(A)
Sound power (L_{WA})	83 dB(A), uncertainty (K) 3 dB(A)

Vibration total values (triax vector sum) according to EN 60745:	
Drilling into metal ($a_{h,D}$)	1.7 m/s ² , uncertainty (K) 1.5 m/s ²
Screwdriving without impact (a_h)	1.0 m/s ² , uncertainty (K) 1.5 m/s ²

Vibration

The declared vibration emission values stated in the technical data and the declaration of conformity have been measured in accordance with a standard test method provided by EN 60745 and may be used for comparing one tool with another. The declared vibration emission value may also be used in a preliminary assessment of exposure.

Warning! The vibration emission value during actual use of the power tool can differ from the declared value depending on the ways in which the tool is used. The vibration level may increase above the level stated.

When assessing vibration exposure to determine safety measures required by 2002/44/EC to protect persons regularly using power tools in employment, an estimation of vibration exposure should consider, the actual conditions of use and the way the tool is used, including taking account of all parts of the operating cycle such as the times when the tool is switched off and when it is running idle in addition to the trigger time.

SERVICE INFORMATION

STANLEY offers a full network of company-owned and authorized service locations. All STANLEY Service Centers are staffed with trained personnel to provide customers with efficient and reliable power tool service. For more information about our authorized service centers and if you need technical advice, repair, or genuine factory replacement parts, contact the STANLEY location nearest you.

TWO YEAR WARRANTY

If your STANLEY product becomes defective due to faulty materials or workmanship within 24 months from the date of purchase, STANLEY guarantees to replace all defective parts free of charge or – at our discretion – replace the unit free of charge provided that:

- The product has not been misused and has been used in accordance with the instruction manual;
- The product has been subject to fair wear and tear;
- Repairs have not been attempted by unauthorized persons;
- Proof of purchase is produced.
- The STANLEY product is returned complete with all original components
- The product hasn't been used for hire purposes

If you wish to make a claim, contact your seller or check the location of your nearest authorised STANLEY repair agent in the STANLEY catalogue or contact your local STANLEY office at the address indicated in this manual. A list of authorised STANLEY repair agents and full details of our after sales service is available on the internet at: www.2helpU.com

Kullanım amacı

Stanley SBD20 matkap/tornavidanız vida takma/sökme uygulamaları ve ahşap, metal ve plastik delme işlemleri için tasarlanmıştır. Bu alet profesyonel kullanım içindir.

GÜVENLİK TALİMATLARI

Genel elektrikli alet güvenlik uyarıları



Uyarı! Bütün güvenlik uyarılarını ve talimatlarını mutlaka okuyun. Aşağıda yer alan uyarılar ve talimatların herhangi birisine uyulmaması elektrik çarpması, yangın ve/veya ciddi yaralanma riskine neden olabilir.

Bütün uyarı ve güvenlik talimatlarını ileride bakmak üzere saklayın. Aşağıda yer alan uyarılardaki «elektrikli alet» terimi şebeke elektrigiyle (kablolu) veya akü/pille (şarjlı) çalışan elektrikli aletinizi ifade etmektedir.

1. Çalışma alanının güvenliği

- Çalışma alanını temiz ve aydınlık tutun.** Karışık veya karanlık alanlar kazaya davetiye çıkarır.
- Elektrikli aletleri, yanıcı sıvılar, gazlar ve tozların bulunduğu yerler gibi yanıcı ortamlarda çalıştırmayın.** Elektrikli aletler, toz veya dumanları ateşleyebilecek kıvılcımlar çıkarır.
- Bir elektrikli aleti çalıştırırken çocuklardan ve etraftaki kişilerden uzak tutun.** Dikkatinizi dağıtıcı şeyler kontrolü kaybetmenize neden olabilir.

2. Elektrik güvenliği

- Elektrikli aletlerin fişleri prizlere uygun olmalıdır. Fiş üzerinde kesinlikle hiçbir değişiklik yapmayın. Topraklı elektrikli aletlerde hiçbir adaptör fişi kullanmayın.** Değiştirilmemiş fişler ve uygun prizler elektrik çarpması riskini azaltacaktır.
- Borular, radyatörler, ocaklar ve buzdolapları gibi topraklanmamış yüzeylerle vücut temasından kaçının.** Vücudunuzun topraklanması halinde yüksek bir elektrik çarpması riski vardır.
- Elektrikli aletleri yağmura maruz bırakmayın veya ıslatmayın.** Elektrikli alete su girmesi elektrik çarpması riskini arttıracaktır.
- Elektrik kablosunu uygun olmayan amaçlarla kullanmayın. Elektrikli aleti kesinlikle kablosundan tutarak taşımayın, çekmeyin veya prizden çıkartmayın.** Kabloyu sıcartan, yağdan, keskin kenarlardan veya hareketli parçalardan uzak tutun. Hasarlı veya dolaşmış kablolar elektrik çarpması riskini artırır.
- Elektrikli bir aleti açık havada çalıştırıyorsanız, açık havada kullanıma uygun bir uzatma kablosu kullanın.** Açık havada kullanıma uygun bir kablonun kullanılması elektrik çarpması riskini azaltır.
- Eğer bir elektrikli aletin nemli bir bölgede**

çalıştırılması zorunluysa, bir artık akım aygıtı (RCD) korumalı bir kaynak kullanın. Bir RCD kullanılması elektrik şoku riskini azaltır.

3. Kişisel güvenlik

- Elektrikli bir aleti kullanırken her zaman dikkatli olun, yaptığınız işe yoğunlaşın ve sağduyulu davranın. Elektrikli bir aleti yorgunken veya ilaç ya da alkolün etkisi altındayken kullanmayın.** Elektrikli aletleri kullanırken bir anlık dikkatsizlik ciddi kişisel yaralanmayla sonuçlanabilir.
- Kişisel koruyucu ekipmanları mutlaka kullanın. Daima koruyucu gözlük takın.** Koşullara uygun toz maskesi, kaymayan güvenli ayakkabıları, baret veya kulaklık gibi koruyucu donanımların kullanılması kişisel yaralanmaları azaltacaktır.
- İstem dışı çalıştırılmasını önleyin. Aleti güç kaynağına ve/veya aküye bağlamadan, yerden kaldırmadan veya taşımadan önce açma/kapama düğmesinin kapalı konumunda olduğundan emin olun.** Aleti, parmağınız tetik üzerinde bulunacak şekilde taşımak veya açık konumdaki elektrikli aletleri elektrik şebekesine bağlamak kazaya davetiye çıkarır.
- Elektrikli aleti açmadan önce tüm ayarlama anahtarlarını çıkartın.** Elektrikli aletin hareketli bir parçasına takılı kalmış bir anahtar kişisel yaralanmaya neden olabilir.
- Ulaşmakta zorlandığınız yerlerde kullanmayın. Daima sağlam ve dengeli basın.** Bu, beklenmedik durumlarda elektrikli aletin daha iyi kontrol edilmesine olanak tanır.
- Uygun şekilde giyinin. Bol elbiseler giymeyin ve takı takmayın. Saçınızı, elbiselerinizi ve eldivenlerinizi hareketli parçalardan uzak tutun.** Bol elbiseler ve takılar veya uzun saç hareketli parçalara takılabilir.
- Eğer kullandığınız üründe toz emme ve toplama özellikleri olan ataşmanlar varsa bunların bağlı olduğundan ve doğru şekilde kullanıldığından emin olun.** Bu toz toplama ataşmanların kullanılması tozla ilgili tehlikeleri azaltabilir.
- Elektrikli aletlerin kullanımı ve bakımı**
- Elektrikli aleti zorlamayın. Uygulamanız için doğru elektrikli aleti kullanın.** Doğru elektrikli alet, belirlendiği kapasite ayarında kullanıldığında daha iyi ve güvenli çalışacaktır.
- Tetik açmıyor ve kapatmıyorsa elektrikli aleti kullanmayın.** Tetikle kontrol edilemeyen tüm elektrikli aletler tehlikelidir ve tamir edilmesi gerekmektedir.
- Herhangi bir ayarlama, aksesuar değişimi veya elektrikli aletlerin saklanması öncesinde fişi güç kaynağından çekin ve/veya aküyü elektrikli aletten ayırın.** Bu tür önleyici güvenlik tedbirleri aletin istem dışı olarak çalıştırılması riskini azaltacaktır.

- d. Elektrikli aleti, çocukların ulaşamayacağı yerlerde saklayın ve elektrikli aleti tanımayan veya bu talimatları bilmeyen kişilerin elektrikli aleti kullanmasına izin vermeyin. Elektrikli aletler, eğitimsiz kullanıcıların elinde tehlikelidir.
- e. Elektrikli aletleri iyi durumda muhafaza edin. Hareketli parçalardaki hizalama hatalarını ve tutuklukları, parçalardaki kırılmalar ve elektrikli aletin çalışmasını etkileyebilecek tüm diğer koşulları kontrol edin. Hasarlı ise, elektrikli aleti kullanmadan önce tamir ettirin. Kazaların çoğu, elektrikli aletlerin bakımının yeterli şekilde yapılmamasından kaynaklanır.
- f. Kesim aletlerini keskin ve temiz tutun. Bakımı uygun şekilde yapılmış keskin kesim uçlu kesim aletlerinin sıkışma ihtimali daha düşüktür ve kontrol edilmesi daha kolaydır.
- g. Elektrikli aleti, aksesuarlarını ve aletin diğer parçalarını kullanırken bu talimatlara mutlaka uyun ve çalışma ortamının koşullarını ve yapılacak işin ne olduğunu göz önünde bulundurun. Elektrikli aletin öngörülen işlemler dışındaki işlemler için kullanılması tehlikeli durumlara neden olabilir.
5. Akü/pille çalışan aletin kullanımı ve bakımı
- a. Sadece üretici tarafından belirtilen şarj cihazı ile şarj edin. Bir akü tipine uygun bir şarj cihazı başka tipte bir aküyü şarj etmek için kullanıldığında yangın riski yaratabilir.
- b. Elektrikli aletleri yalnızca özel olarak tanımlanmış akülerle kullanın. Başka bir akünün kullanılması yaralanma veya yangın riskine yol açabilir.
- c. Akü kullanımda değilken, ataç, bozuk para, anahtar, çivi, vida veya terminaler arasında kontağa neden olabilecek diğer küçük metal nesnelere uzak tutulmalıdır. Akü terminalerinin birbirine kısa devre yapılması yanıklara veya yangına neden olabilir.
- d. Sıra dışı koşullarda sıvı aküden dışarı akabilir, temastan kaçının. Yanlışlıkla cilde temas edilirse su ile yıkayın. Gözle temas durumunda ayrıca doktora başvurun. Aküden sıvı akması ciltte tahriş veya yanmaya neden olabilir.

6. Servis

- a. Elektrikli aletinizi, sadece orijinal yedek parçaların kullanıldığı yetkili servise tamir ettirin. Bu, elektrikli aletin güvenliğinin muhafaza edilmesini sağlayacaktır.

ELEKTRİKLİ EL ALETLERİ İÇİN EK GÜVENLİK TALİMATLARI



Uyarı! Matkaplar/tornavidalar için ek güvenlik talimatları

- Darbeli matkap ile çalışırken kulaklık takın. Yüksek sese maruz kalmak işitme kaybına yol açabilir.
- Aletle birlikte verilmiş olan yardımcı tutma kollarını

kullanın. Kontrol kaybı kişisel yaralanmalara neden olabilir.

- Kesme aksesuarının gizli kablolarla temas edebileceği yerlerde çalışma yaparken elektrikli aleti yalıtımlı kavrama yüzeylerinden tutun. Kesme aksesuarının «akım taşıyan» bir kabloya temas etmesi durumunda elektrikli aletin metal kısımları da «akım taşıyıcı» hale gelecek ve kullanıcının elektrik çarpmasına neden olabilir.
- Bağlantı parçasının gizli kablolarla temas edebileceği yerlerde çalışma yaparken elektrikli aleti yalıtımlı kavrama yüzeylerinden tutun. Bağlantı parçalarının «akım taşıyan» bir kabloya temas etmesi durumunda elektrikli aletin metal kısımları da «akım taşıyıcı» hale gelecek ve kullanıcının elektrik çarpmasına neden olabilir.
- Üzerinde çalıştığınız parçayı sabitlemek ve desteklemek için kelepçeler veya başka pratik yöntemler kullanın. Parçayı elle veya vücudunuza dayamanız dengesiz durmasına neden olacaktır ve aletin kontrolünü kaybetmeniz yol açabilir.
- Duvar, zemin veya tavanda delik açmadan önce kablo ve boruların konumunu kontrol edin.
- Delme işleminin hemen ardından matkap ucuna dokunmaktan kaçının; sıcak olabilir.
- Kullanım amacı bu kullanım kılavuzunda açıklanmıştır. Herhangi bir aksesuarın veya bağlantının ya da işlemin, bu kılavuzda tavsiye edilen şekilden başka bir şekilde kullanılması şahısların yaralanmalarına ve/veya mal kaybına yol açabilir.

DİĞER KİŞİLERİN GÜVENLİĞİ

- Bu alet fiziksel ve zihinsel kapasitesinin yanı sıra algılama gücü azalmış olan veya yeterince deneyim ve bilgisi bulunmayan kişiler (çocuklar dahil) tarafından kullanılmak üzere üretilmemiştir. Bu tür kişiler aleti ancak güvenliklerinden sorumlu bir kişi tarafından cihazın kullanımıyla ilgili talimatların verilmesi veya sürekli kontrol altında tutulması durumunda kullanılabilir.
- Çocuklar, aletle oynamalarını önlemek amacıyla kontrol altında tutulmalıdır.

Diğer tehlikeler

Aletin kullanımıyla ilgili ekte sunulan güvenlik uyarılarına dahil olmayan ilave kalıcı riskler ortaya çıkabilir. Bu riskler, hatalı, uzun süreli kullanım vb. dolayısıyla ortaya çıkabilir.

Emniyet tedbirlerini düzenleyen yönetmeliğin uygulanmasına ve emniyet sağlayıcı aygıtların kullanılmasına rağmen, başka belirli risklerden kaçınılamaz. Bunlar:

- Aletin dönen ve hareket eden parçalarına dokunma sonucu ortaya çıkan yaralanmalar.
- Herhangi bir parçayı, bıçak veya aksesuarı değiştirirken ortaya çıkan yaralanmalar.

- Aletin uzun süreli kullanılması sonucu ortaya çıkan yaralanmalar. Herhangi bir aleti uzun sürelerle kullanacaksanız düzenli olarak çalışmanıza ara verin.
- Duyma bozukluğu.
- Aleti kullanırken ortaya çıkan tozun solunması sonucu ortaya çıkan sağlık sorunları (örnek: ahşapta çalışırken, özellikle meşe, akgürgen ve MDF).

ALET ÜZERİNDEKİ ETİKETLER

Aletin etiketinde tarih kodu ile birlikte aşağıdaki semboller bulunabilir:



Uyarı! Yaralanma riskini en aza indirmek için kullanıcı kullanım talimatlarını mutlaka okumalısınız.



Daima koruyucu gözlük takın



Daima koruyucu kulaklık takın

Tarih kodu konumu

İmalat yılını da içeren Tarih Kodu gövdeye basılıdır.

Örnek:

2017 XX JN

İmalat Yılı

Aküler ve şarj cihazları için ek güvenlik talimatları

Aküler

- Kesinlikle, hiçbir nedenle açmaya çalışmayın.
- Aküyü suya batırmayın.
- Sıcaklığın 40 °C'yi aşabileceği yerlerde saklamayın.
- Sadece 10 °C ila 40 °C arasındaki ortam sıcaklıklarında şarj edin.
- Sadece aletle birlikte verilen şarj cihazını kullanarak şarj edin.
- Aküleri atarken, «Çevrenin korunması» başlıklı bölümdeki talimatlara uyun.



Hasarlı aküleri şarj etmeyi çalışmayın.

Şarj cihazları

- Stanley şarj cihazınızı, yalnızca aletle birlikte verilen aküyü şarj etmek için kullanın. Diğer aküler patlayarak yaralanmanıza veya hasar meydana gelmesine yol açabilir.
- Şarj edilme özelliği olmayan aküleri kesinlikle şarj etmeye çalışmayın.
- Hasarlı kabloların hemen değiştirilmesini sağlayın.
- Şarj cihazını suya batırmayın.
- Şarj cihazını açmayın.

- Şarj cihazını delmeyin.



Şarj cihazı, yalnızca kapalı alanda kullanım içindir.



Aletle çalışmaya başlamadan önce bu kılavuzu okuyun.

Elektrik güvenliği



Şarj cihazınız çift yalıtılıdır. Bu yüzden hiçbir topraklama kablosuna gerek yoktur. Her zaman şebeke geriliminin aletin üretim etiketinde belirlenmiş değerlere uyup uymadığını kontrol edin. Şarj cihazını kesinlikle normal bir elektrik fişi ile değiştirmeye kalkışmayın.

- Elektrik kablosu hasarlı ise, bir tehlike oluşmasını önlemek için üretici ya da yetkili Stanley Servis Merkezi tarafından değiştirilmelidir.

ÖZELLİKLER

Bu alet, aşağıdaki özelliklerin bir kısmını veya tümünü içermektedir.

1. Açma/kapama tetiği
2. İleri/geri kontrol düğmesi
3. Tork ayarlamaya bileziği
4. Vites mandalı
5. Anahtarsız mandren
6. Akü
7. Akü çıkartma düğmesi
8. LED aydınlatma
9. Matkap/tornavida ucu yuvası

Kullanım

Uyarı! Aletin kendi hızında çalışmasına izin verin. Aşırı yüklenmeyin.

AKÜNÜN ŞARJ EDİLMESİ

Akünün, ilk kullanımdan önce ve daha önce kolayca yapılan işler için yeterli güç üretmediği hallerde şarj edilmesi gereklidir. Akü, şarj sırasında ısınabilir; bu normal bir durumdur ve bir sorun olduğuna işaret etmez.

Uyarı! Ortam sıcaklığı 10 °C'den düşük veya 40 °C'den yüksekse aküyü şarj etmeyin. Tavsiye edilen şarj sıcaklığı: yaklaşık 24 °C.

Not: Pil hücre ısısı yaklaşık olarak 10 °C altında veya 40 °C üzerindeyse şarj cihazı aküyü şarj etmeyecektir.

Akü şarj cihazında bırakılmalıdır. Şarj cihazı pil hücresi ısıyı yukarı çıktığında veya aşağı indiğinde otomatik olarak şarj işlemine başlayacaktır.

- Aküyü takmadan önce, şarj cihazının fişini uygun prize takın.
- Aküyü şarj cihazına takın.



Akü şarj olurken yeşil LED ışık yanıp sönecektir.



Yeşil LED ışığın sürekli açık kalması, şarjın tamamlandığını gösterir. Akü tamamen şarj olmuştur ve hemen kullanılabilir veya şarj cihazında bırakılabilir.

Uyarı! Boşalmış aküleri, kullanımdan sonra mümkün olan en kısa sürede şarj edin aksi takdirde akü ömrü önemli ölçüde azalacaktır.

Şarj cihazı hata tanıma sistemi

Bu şarj cihazı akü veya güç kaynağı ile ortaya çıkabilecek bazı problemleri tespit etmek için tasarlanmıştır. Problemler LED ışığın farklı yanıp sönmeye aralıkları tarafından gösterilir.

Hasarlı akü



Şarj cihazı akünün zayıf veya hasarlı olduğunu tespit edebilir. Kırmızı LED ışığı, etikette gösterilen aralıkla yanıp sönecektir. Hasarlı aküyü tespit eden yanıp sönmeye aralığını görünce aküyü şarj etmeye devam etmeyin. Aküyü geri dönüşüm için servis veya toplama merkezine getirin.

Sıcak/soğuk akü gecikmesi



Şarj cihazı bir akünün aşırı sıcak veya aşırı soğuk olduğunu tespit ederse, otomatik olarak Sıcak/Soğuk Akü Gecikmesini başlatır ve akü uygun sıcaklığa ulaşana kadar şarj işlemini durdurur. Şarj cihazı bundan sonra otomatik olarak şarj moduna geçer. Bu özellik maksimum akü ömrü sağlamaktadır. Sıcak/Soğuk Akü Gecikmesi tespit edilirse kırmızı LED ışığı, etikette gösterilen aralıkla yanıp sönecektir.

Elektrik hattında bir sorun var



Şarj cihazı, jeneratörler veya DC'yi AC'ye dönüştüren kaynaklar gibi bazı taşınabilir güç kaynakları ile kullanıldığında, şarj cihazı işlemi geçici olarak durabilir. LED ışığı, etikette gösterilen aralıkla yanıp sönecektir. Bu, güç kaynağının sınırların dışında olduğunu gösterir.

Aküyü şarj cihazında bırakma

Şarj cihazı ve akü sürekli bağlı olarak, LED ışığı yanarak prizde bırakılabilir. Şarj cihazı aküyü sürekli tam şarjda tutacaktır.

Sadece Li-Ion Aküler

Li-Ion aküler, aküyü aşırı yük, aşırı ısınma veya derin deşarja karşı koruyan Elektronik Koruma Sistemli olarak tasarlanmışlardır. Elektronik Koruma Sisteminin devreye

girmesi durumunda alet otomatik olarak kapanır. Bu durumla karşılaşsanız Li-Ion aküyü şarj cihazına yerleştirin ve tam olarak şarj olmasını bekleyin.

ÖNEMLİ ŞARJ ETME NOTLARI

- En uzun akü ömrü ve en iyi akü performansı, akünün 18° - 24°C sıcaklıkta şarj edilmesini sağlar. Sadece +4,5°C ila +40,5 °C arasındaki ortam sıcaklıklarında şarj edin. Bu önemlidir ve aküye ciddi bir zararın verilmesini önler.
- Şarj sırasında şarj cihazı ve akü hafif bir ses çıkartabilir. Bu normal bir durumdur ve bir sorun olduğuna işaret etmez. Kullandıktan sonra akünün soğumasına mümkün kılmak için şarj cihazı veya aküyü bir metal depo veya yalıtımsız bir römork gibi sıcak bir ortama koymayın.
- Akü düzgün bir şekilde şarj edilmeyorsa:
- Prizle bir lamba veya başka bir cihaz takarak akımı kontrol edin.
- Prizin gücü açık kapayan bir açma/kapama düğmesine (duy) bağlı olup olmadığını kontrol edin.
- Şarj cihazını ve aküyü 18 °C ila 24 °C arasındaki ortam sıcaklığına getirin. Sorun devam ederse aleti, şarj cihazını ve aküyü yerel Stanley servis merkezine getirin.
- Akü, daha önce kolayca yapılan işlerde yeterince güç üretemeyecek duruma geldiğinde şarj edilmelidir.
- Bu şartlar altında aküyü kullanmaya DEVAM ETMEYİN. Şarj işlemlerini uygulayın.
- Ayrıca aküye herhangi bir olumsuz etkisi olmadan, kısmen kullanılmış olan aküyü istediğiniz zaman şarj edebilirsiniz.

Akünün alete takılması ve çıkartılması

Uyarı! Açma/kapama tetiğinin çalışmasını önlemek için aküyü takip çıkarmadan önce, aletin tetik kilidi düğmesinin basılı olduğundan emin olun.

NOT: Akünün (6) tamamen şarjlı olduğundan emin olun.

Aküyü alete takma - şekil A

1. Aküyü kolun içindeki raylarla hizalayın.
2. Kilitin yerine oturduğunu duyana kadar yerine doğru sıkıca kaydırın.

Aküyü aletten çıkartma - şekil B

1. Serbest bırakma düğmesine (7) basın ve aküyü sıkıca çekerek aletin kolundan çıkarın.
2. Aküyü bu kılavuzun şarj cihazı kısmında açıklandığı gibi şarj cihazına takın.

KULLANIM

Açma/kapama tetiği ve ileri/geri kontrol düğmesi - Şekil C

- Alet, Şekil C' de gösterildiği gibi açma/kapama tetiğine (1) basarak ve tetiğini bırakarak AÇIK ve KAPALI konuma getirilir.
- Tetiğe daha fazla basıldığında matkap daha hızlı çalışır.
- İleri/geri kontrol düğmesi (2) aletin çalışma yönünü belirler ve ayrıca çalışmayı önleyen bir kilit görevi görür.

- İleri dönmeyi seçmek için tetik düğmesini bırakın ve aletin sağ tarafındaki ileri/geri kontrol düğmesine basın.
- Geri dönmeyi seçmek için aletin sol tarafındaki ileri/geri kontrol düğmesine basın.
- İleri/geri kontrol düğmesi orta konumundayken aleti kapalı konumda kilitlet. İleri/geri kontrol düğmesinin yerini değiştirirken tetiğin serbest bırakıldığından emin olun.

Tork kontrolünün ayarlanması - Şekil D

Bu alet, çalışma modunun seçilmesi ve vida sıkma torkunun ayarlanması için bir tork ayarlama bileziği (3) ile donatılmıştır. Büyük vidalar ve üzerinde çalışılan sert malzemeler küçük vidalara ve yumuşak malzemelere göre daha yüksek bir tork ayarı gerektirir.

- Aşşap, metal ve plastik delme işlemleri için bileziği delme konumu sembolüne getirin.
- Vida takma ve sökme işlemleri için bileziği istediğiniz konuma getirin. Henüz uygun ayarı bilmiyorsanız, aşağıda belirtildiği şekilde ilerleyin:
- Bileziği en düşük tork ayarına getirin.
- Ardından ilk vidayı sıkın.
- Kavrama istenen sonuç elde edilmeden düşerse, bilezik ayarını yükselin ve vidayı sıkmaya devam edin.
- Doğru ayara ulaşıncaya kadar tekrarlayın.
- Kalan vidalar için de bu ayarı kullanın.

Vites mandalı - Şekil E

Aletinizin iki hızlı vites kutusu özelliği ile çok amaçlı kullanım için vitesler arasında geçiş yapmanızı sağlar.

- Düşük vitesi (yüksek tork ayarı, konum 1) seçmek için aleti kapatın ve durmasını bekleyin. Vites mandalını (4) mandrenden uzağa kaydırın.
- Yüksek vitesi (düşük tork ayarı, konum 2) seçmek için aleti kapatın ve durmasını bekleyin. Vites mandalını mandrene doğru kaydırın.

Not: Alet çalışırken vites değiştirmeyin. Vites değiştirirken sorun yaşıyorsanız vites mandalının tamamen ileri veya tamamen geri itildiğinden emin olun.

Anahtarsız mandren - Şekil F

Uyarı! Aletin çalışmasını önlemek için aksesuarları takıp çıkarmadan önce, akünün aletten çıkarıldığından emin olun. Matkap ucu veya diğer aksesuarların takılması:

- Mandrenin arka kısmından görüldüğü şekliyle, mandreni (5) tutun ve saatin ters yönünde çevirin.
- Ucu mandrene sonuna kadar sokun ve mandrenin arka kısmından görüldüğü şekliyle, mandreni çevirerek sağlam bir şekilde sıkın.

Uyarı! Mandrenin ön kısmını tutarak ve aleti çalıştırarak matkap uçları (veya başka bir aksesuarı) sıkmaya veya gevşetmeye kalkışmayın. Aksesuar değiştirme sırasında mandrenin zarar görmesine ve kişisel yaralanmaya neden olabilir.

Vidalama

- Vidaları sıkamak için ileri/geri kontrol düğmesini sola itin.
- Vidaları sökmek için geri dönmeyi kullanın (düğmeyi sağa iterek).

Not: Dönme yönü değiştirirken daima ilk önce açma/kapama tetiğini bırakın.

Delme

- Yalnızca keskin matkap uçlarını kullanın.
- Güvenlik talimatlarında belirtildiği gibi çalışılan parçayı düzgün bir şekilde destekleyin.
- Güvenlik talimatlarında belirtildiği gibi uygun ve gerekli koruyucu ekipmanlarını kullanın.
- Güvenlik talimatlarında belirtildiği gibi çalışma alanını destekleyin ve bakımlı tutun.
- Delik matkap ucu dışarı kaymayacak kadar yeterli boyutuna ulaşıncaya matkabi, haff bir baskı uygulayarak çok yavaş çalıştırın.
- Matkap ucuna düz bir çizgide haff bir baskı uygulayın. Uca yeterli bir baskı uygulayın, ama motor duracak ya da uç sekecek kadar değil.
- Bir el ana kolun, diğer el akü alt kısmını veya eğer varsa yan tutma kolun üzerinde olacak şekilde matkabi iki elinizle sıkıca tutun.
- ANİDEN DURMUŞ VEYA SIKIŞMIŞ MATKABI YENİDEN ÇALIŞTIRMAK İÇİN AÇMA/KAPAMA TETİĞİNE SÜREKLİ BAŞMAYA KALKIŞMAYIN. BU MATKABA ZARAR VEREBİLİR.
- Çalışma parçasını delip geçme aşamasında sıkışmayı en aza indirmek için baskıyı azaltın ve deliğin son kısmını yavaşça delin.
- Ucu açılmış deliğinden çekerken motor çalışmasını sağlayın. Bu sıkışma azaltmaya yardımcı olacaktır.
- Tetik aleti açtığından ve kapattığından emin olun.

Aşşapta delme

Aşşapta delikler metal için kullanılan aynı matkap uçları veya geniş ağızlı aşşap uçları ile delinebilir.

Bu uçlar çok keskin olmalı ve delme sırasında oluklardan talaşların temizlenmesi için sık sık delikten dışarı çıkartılmalıdır.

Metalde delme

Metalleri delerken bir yağlayıcı kullanın. Döküm demir ve piriñç istisna olarak kuruyken delinmelidir. Kükürtlenmiş kesme yağı en uygun yağdır.

LED aydınlatma

Açma/kapama tetiğine (1) basarak matkabi çalıştırınca entegre LED aydınlatma (8) otomatik olarak çalışma alanını aydınlatır.

Not: Bu aydınlatma sadece çalışma alanını aydınlatmak için tasarlanmıştır; fener olarak kullanım için değildir.

Uçların saklanması

Alet tabanında entegre uç yuvası (9) bulunmaktadır.

Arıza giderme

Problem	Olası nedeni	Olası çözüm
Alet çalışmıyor.	Akü doğru bir şekilde takılmamış. Akü boş.	Akünün doğru takıldığını kontrol edin. Akü şarj gerekliliklerini kontrol edin.
Akü takıldıktan hemen sonra alet çalışmaya başlar.	Tetik açık konumda bırakılmış.	Akü takıldıktan hemen sonra aletin çalışmasını engellemek için tetik kapalı konumda olmalıdır.
Akü şarj olmuyor.	Akü şarj cihazına takılmamış. Şarj cihazı güç kaynağına takılı değil. Ortam sıcaklığı çok yüksek veya çok düşük.	Aküyü şarj cihazına LED ışıkları yanacak şekilde takın. Şarj cihazının fişini çalışan bir prize takın. Şarj cihazını ortam sıcaklığı 4,5 °C'den daha yüksek veya 40,5 °C daha düşük olduğu yere götürün.
Alet aniden duruyor.	Akü maksimum ısı sınırına ulaştı. Akü boş. (Akünün çalışma ömrünü uzatmak amacıyla akü, şarj bittiği zaman otomatik olarak aniden kapanma özelliği ile donatılmıştır).	Aküyü şarj cihazına takın ve şarj edin.

BAKIM

Stanley aletinizin minimum bakımla uzun bir süre çalışacak şekilde tasarlanmıştır. Kesintisiz olarak memnuniyet verici bir şekilde çalışması gerekli özenin gösterilmesine ve düzenli temizliğe bağlıdır.

Şarj cihazınız, düzenli temizlik dışında herhangi bir bakım gerektirmemektedir.

Uyarı! Herhangi bir bakım çalışmasına başlamadan önce aküyü aletten çıkartınız. Şarj cihazını temizlemeden önce fişten çekin.

- Aletinizdeki ve şarj cihazındaki havalandırma deliklerini yumuşak bir fırça veya kuru bir bezle düzenli olarak temizleyin.
- Motor muhafazasını düzenli olarak nemli bir bezle silin. Aşındırıcı veya çözücü bazlı temizleyiciler kullanmayın.
- Mandreni düzenli olarak tamamen açın ve içindeki tozu dökmek için hafifçe vurun.

Çevrenin korunması



Ayrı olarak atın. Bu ürün, normal evsel atıklarla birlikte atılmamalıdır.

STANLEY ürününüzün değiştirilmesi gerektiğini düşünmeniz veya artık kullanılamaz durumda olması halinde onu, evsel atıklarla birlikte atmayın. Bu ürünü, ayrı olarak toplanacak şekilde atın.



STANLEY, hizmet ömrünün sonuna ulaşan STANLEY ürünlerinin toplanması ve geri dönüşüme sokulması için bir imkân sunmaktadır. Bu hizmetin avantajlarından faydalanmak için, lütfen, ürününüzü bizim

adımıza teslim alacak herhangi bir yetkili servise iade edin.

Bu kılavuzda belirtilen listeden size en yakın STANLEY yetkili tamir servisinin yerini öğrenebilirsiniz. Ya da, alternatif olarak internet'ten STANLEY yetkili tamir servislerinin listesini ve satış sonrası hizmetlerimizle ilgili tüm bilgiler ve temas bilgilerine aşağıdaki siteden ulaşabilirsiniz. www.2helpU.com

AKÜLER



STANLEY aküleri defalarca yeniden şarj edilebilir. Hizmet ömürlerinin sonunda, aküleri çevremize gerekli özeni göstererek atın:

- Aküyü bitene kadar aleti çalıştırın, sonra aletten çıkartın.
- NiCd, NiMH ve Li-Ion aküler geri dönüşümlüdür. Aküleri yetkili servise veya yerel toplama merkezine teslim edin.

Notlar

STANLEY olarak, ürünlerimizi sürekli iyileştirme politikası uyguladığımızdan, önceden haber vermeden ürün özelliklerini değiştirme hakkını saklı tutarız. Standart ekipman ve aksesuarlar ülkeye göre değişebilir. Ürün özellikleri ülkelere göre farklı olabilir. Komple ürün çeşidi tüm ülkelerde geçerli olmayabilir. Ürün çeşidi durumu hakkında lütfen en yakın STANLEY yetkili servisiyle temas kurun

TEKNİK ÖZELLİKLERİ

	SBD20	
Voltaj	V _{DC}	18
Yüksüz hızı	dev/dak	0-430/0-1700
Maks. tork	Nm	55
Mandren kapasitesi	mm	13
Maks. delme kapasitesi		
Çelik/ahşap	mm	13/35
Ağırlık	kg	1,5

Şarj Cihazı		SC201	SC202
Giri voltajı	V _{AC}	220-240	220-240
Çıkı voltajı	V _{DC}	18	18
Çıkı akımı	mA	1000	2000
Yakla ık arj süresi	dak.	80 - 240	40 - 120

Akü		SB20C	SB20S	SB20D	SB20M
Voltaj	VAC	18	18	18	18
Kapasite	Ah	1,0	1,5	2,0	4,0
Tip		Li-Ion	Li-Ion	Li-Ion	Li-Ion

EN 60745'e göre ses basıncı düzeyi:Ses basıncı (L_{pA}) 72 dB(A), belirsizlik (K) 3 dB(A)Akustik güç (L_{WA}) 83 dB(A), belirsizlik (K) 3 dB(A)**EN 60745'e göre tespit edilen toplam titreşim değerleri (üç yönün vektör toplamı):**Metalde delme ($a_{h,D}$) 1,7 m/s², belirsizlik (K) 1,5 m/s²Darbesiz vidalama (a_{h}) 1,0 m/s², belirsizlik (K) 1,5 m/s²**Titreşim**

Teknik veriler ve uygunluk beyanını içerisinde belirtilen titreşim emisyon değerleri EN60745 tarafından belirlenen standart bir test yöntemine uygun olarak ölçülmektedir ve diğer bir aletle karşılaştırma yaparken kullanılabilir. Beyan edilen titreşim emisyon değeri aynı zamanda maruz kalmanın önceden değerlendirilmesinde de kullanılabilir.

Uyarı! Elektrikli aletin mevcut kullanımı sırasındaki titreşim emisyon değeri, aletin kullanım yöntemine bağlı olarak, beyan edilen değere göre farklılık sergileyebilir. Titreşim düzeyi belirlenen seviyenin üzerinde artış gösterebilir.

İşyerinde düzenli olarak elektrikli alet kullanan çalışanları korumak amacıyla 2002/44/EC tarafından getirilen elektrik güvenliği önlemlerini belirlemek üzere titreşime maruz kalmayı değerlendirirken, çalışma döngüsü içerisinde örneğin aletin kapalı olduğu ve aktif durumda olmasının yanı sıra boşta çalıştığı zamanlar gibi, bütün zaman dilimleri dahil olmak üzere mevcut kullanım durumu ve aletin kullanım şekli göz önünde bulundurularak değerlendirilmelidir.

SERVİS BİLGİLERİ

STANLEY, kendisine ait ve yetkili servisler ile tam bir servis ağı sunmaktadır. Tüm STANLEY Servis Merkezleri müşterilere etkili ve güvenilir elektrikli el aleti hizmeti sunmak için eğitimli personel ile donatılmıştır. Yetkili servis merkezlerimiz hakkında daha fazla bilgi almak istiyorsanız veya teknik danışmanlık, onarım ya da orijinal fabrika yedek parçası ihtiyacınız varsa, size en yakın STANLEY satış noktasına başvurun.

AT Uygunluk Beyanını
MAKİNE DİREKTİFİ**SBD20 – Matkap/Tornavidanız**

STANLEY, «teknik özellikleri» bölümünde açıklanan bu ürünlerin aşağıda belirtilen yönergelere uygun olduğunu beyan eder: 2006/42/EC, EN 60745-1:2009 + A11:2010, EN 60745-2-1:2010

Bu ürünler ayrıca 2014/30/EU ve 2011/65/EU Direktiflerine de uygundur. Daha fazla bilgi için, lütfen aşağıdaki adresten STANLEY ile irtibata geçin veya kılavuzun arkasına bakın.

Bu belge altında imzası bulunan yetkili, teknik dosyanın derlenmesinden sorumludur ve bu beyanı STANLEY adına vermiştir.

R.Laverick

Mühendislik Bölümü Müdürü
STANLEY, Europe, Egide Walschaertsstraat14-18,
2800 Mechelen, Belçika
01.2017

iki yıl garanti

Sahip olduğunuz STANLEY ürünü satın alma tarihinden itibaren 24 ay içinde hatalı malzeme veya işçilik nedeniyle bozulursa, STANLEY aşağıdaki şartlara uyulması koşuluyla ücretsiz olarak tüm kusurlu parçaların yenilenmesini veya -kendi inisiyatifine bağlı olarak- satın alınan ürünün değiştirilmesini garanti eder:

- Ürün, hatalı kullanılmamış kullanım kılavuzuna uygun kullanılmıştır.
- Ürün yıpranmamış, hırpalanmamış ve aşınmamıştır;
- Yetkili olmayan kişilerce tamire çalışılmamıştır.
- Satın alma belgesi (fatura) ibraz edilmiştir;
- STANLEY ürünü, tüm orijinal parçaları ile birlikte iade edilmiştir;
- Ürün kiralama amacıyla kullanılmamıştır.

Garanti talebinde bulunmak için, lütfen satıcıyla irtibata geçin veya STANLEY katalogunda belirtilen size en yakın STANLEY yetkili satıcı adresini kontrol edin veya ürünün kılavuzunda belirtilen adresteki yerel STANLEY yetkili tamir servisi ile temas kurun. İnternet'ten STANLEY yetkili tamir servislerinin listesine ve satış sonrası hizmetlerimizle ilgili tüm bilgilerine aşağıdaki siteden ulaşabilirsiniz: www.2helpU.com

Sanayi ve Ticaret Bakanlığı tebliğince kullanım ömrü 7 yıldır.

Türkiye Distribütörü
STANLEY BLACK&DECKER TURKEY ALET URETİM SAN.
TIC. LTD.STİ.

Kozyatağı Mh Değirmen Sk. Nida Kule

No:18 Kat:6 34742 Kadıköy İstanbul

Tel : (0216) 665 29 00

Faks : (0216) 665 29 01

E-posta: info-tr@sbdinc.com

Назначение

Ваша дрель/винтовёрт STANLEY SBD20 предназначена для сверления отверстий и заворачивания саморезов в древесине, металле и пластике. Данный инструмент предназначен для профессионального использования.

ПРАВИЛА БЕЗОПАСНОСТИ

Общие правила безопасности при работе с электроинструментами



Внимание! Внимательно прочтите все инструкции по безопасности и руководство по эксплуатации. Несоблюдение всех перечисленных ниже правил безопасности и инструкций может привести к поражению электрическим током, возникновению пожара и/или получению тяжёлой травмы.

Сохраните все инструкции по безопасности и руководство по эксплуатации для их дальнейшего использования. Термин «Электроинструмент» во всех приведённых ниже указаниях относится к вашему сетевому (с кабелем) электроинструменту или аккумуляторному (беспроводному) электроинструменту.

1. Безопасность рабочего места

- a. **Содержите рабочее место в чистоте и обеспечьте хорошее освещение.** Плохое освещение или беспорядок на рабочем месте может привести к несчастному случаю.
- b. **Не используйте электроинструменты, если есть опасность возгорания или взрыва, например, вблизи легко воспламеняющихся жидкостей, газов или пыли.** В процессе работы электроинструменты создают искровые разряды, которые могут воспалить пыль или горючие пары.
- c. **Во время работы с электроинструментом не подпускайте близко детей или посторонних лиц.** Отвлечение внимания может вызвать у Вас потерю контроля над рабочим процессом.

2. Электробезопасность

- a. **Вилка кабеля электроинструмента должна соответствовать штепсельной розетке. Ни в коем случае не видоизменяйте вилку электрического кабеля. Не используйте соединительные штепсели-переходники, если в силовом кабеле электроинструмента есть провод заземления.** Использование оригинальной вилки кабеля и соответствующей ей штепсельной розетки уменьшает риск поражения электрическим током.
- b. **Во время работы с электроинструментом избегайте физического контакта с заземлёнными объектами, такими как трубопроводы, радиаторы отопления, электроплиты и холодильники.** Риск поражения электрическим током увеличивается, если Ваше тело заземлено.

- c. **Не используйте электроинструмент под дождём или во влажной среде.** Попадание воды в электроинструмент увеличивает риск поражения электрическим током.
- d. **Бережно обращайтесь с электрическим кабелем. Ни в коем случае не используйте кабель для переноски электроинструмента или для вытягивания его вилки из штепсельной розетки. Не подвергайте электрический кабель воздействию высоких температур и смазочных веществ; держите его в стороне от острых кромок и движущихся частей электроинструмента.** Повреждённый или запутанный кабель увеличивает риск поражения электрическим током.
- e. **При работе с электроинструментом на открытом воздухе используйте удлинительный кабель, предназначенный для наружных работ.** Использование кабеля, пригодного для работы на открытом воздухе, снижает риск поражения электрическим током.
- f. **При необходимости работы с электроинструментом во влажной среде используйте источник питания, оборудованный устройством защитного отключения (УЗО).** Использование УЗО снижает риск поражения электрическим током.

3. Личная безопасность

- a. **При работе с электроинструментами будьте внимательны, следите за тем, что Вы делаете, и руководствуйтесь здравым смыслом. Не используйте электроинструмент, если Вы устали, а также находясь под действием алкоголя или понижающих реакцию лекарственных препаратов и других средств.** Малейшая неосторожность при работе с электроинструментами может привести к серьёзной травме.
- b. **При работе используйте средства индивидуальной защиты. Всегда надевайте защитные очки.** Своевременное использование защитного снаряжения, а именно: пылезащитной маски, ботинок на нескользящей подошве, защитного шлема или противошумовых наушников, значительно снизит риск получения травмы.
- c. **Не допускайте непреднамеренного запуска. Перед тем, как подключить электроинструмент к сети и/или аккумулятору, поднять или перенести его, убедитесь, что выключатель находится в положении «выключено».** Не переносите электроинструмент с нажатым курковым выключателем и не подключайте к сетевой розетке электроинструмент, выключатель которого установлен в положение «включено», это может привести к несчастному случаю.

- d. **Перед включением электроинструмента снимите с него все регулировочные или гаечные ключи.** Регулировочный или гаечный ключ, оставленный закреплённым на вращающейся части электроинструмента, может стать причиной получения тяжёлой травмы.
 - e. **Работайте в устойчивой позе. Всегда твёрдо стойте на ногах, сохраняя равновесие.** Это позволит Вам не потерять контроль при работе электроинструментом в непредвиденной ситуации.
 - f. **Одевайтесь соответствующим образом. Во время работы не надевайте свободную одежду или украшения. Следите за тем, чтобы Ваши волосы, одежда или перчатки находились в постоянном отдалении от движущихся частей инструмента.** Свободная одежда, украшения или длинные волосы могут попасть в движущиеся части инструмента.
 - g. **Если электроинструмент снабжён устройством сбора и удаления пыли, убедитесь, что данное устройство подключено и используется надлежащим образом.** Использование устройства пылеудаления значительно снижает риск возникновения несчастного случая, связанного с запылённостью рабочего пространства.
- 4. Использование электроинструментов и технический уход**
- a. **Не перегружайте электроинструмент. Используйте Ваш инструмент по назначению.** Электроинструмент работает надёжно и безопасно только при соблюдении параметров, указанных в его технических характеристиках.
 - b. **Не используйте электроинструмент, если его выключатель не устанавливается в положение включения или выключения.** Электроинструмент с неисправным выключателем представляет опасность и подлежит ремонту.
 - c. **Отключайте электроинструмент от сетевой розетки и/или извлекайте аккумулятор перед регулировкой, заменой принадлежностей или при хранении электроинструмента.** Такие меры предосторожности снижают риск случайного включения электроинструмента.
 - d. **Храните неиспользуемые электроинструменты в недоступном для детей месте и не позволяйте лицам, не знакомым с электроинструментом или данными инструкциями, работать с электроинструментом.** Электроинструменты представляют опасность в руках неопытных пользователей.
 - e. **Регулярно проверяйте исправность электроинструмента. Проверяйте точность совмещения и легкость перемещения подвижных частей, целостность деталей и любых других элементов электроинструмента, воздействующих на его работу. Не используйте неисправный**

электроинструмент, пока он не будет полностью отремонтирован. Большинство несчастных случаев являются следствием недостаточного технического ухода за электроинструментом.

- f. **Следите за остротой заточки и чистой режущих принадлежностей.** Принадлежности с острыми кромками позволяют избежать заклинивания и делают работу менее утомительной.
 - g. **Используйте электроинструмент, аксессуары и насадки в соответствии с данным Руководством по эксплуатации и с учётом рабочих условий и характера будущей работы.** Использование электроинструмента не по назначению может создать опасную ситуацию.
- 5. Использование аккумуляторных инструментов и технический уход**
- a. **Заряжайте аккумулятор зарядным устройством марки, указанной производителем.** Зарядное устройство, которое подходит к одному типу аккумуляторов, может создать риск возгорания в случае его использования с аккумуляторами другого типа.
 - b. **Используйте электроинструменты только с разработанными специально для них аккумуляторами.** Использование аккумулятора какой-либо другой марки может привести к возникновению пожара и получению травмы.
 - c. **Держите не используемый аккумулятор подальше от металлических предметов, таких как скрепки, монеты, ключи, гвозди, шурупы, и других мелких металлических предметов, которые могут замкнуть контакты аккумулятора.** Короткое замыкание контактов аккумулятора может привести к получению ожогов или возникновению пожара.
 - d. **В критических ситуациях из аккумулятора может вытечь жидкость (электролит); избегайте контакта с кожей. Если жидкость попала на кожу, смойте её водой. Если жидкость попала в глаза, обращайтесь за медицинской помощью. Жидкость, вытекающая из аккумулятора, может вызвать раздражение или ожоги.**
 - b. **Техническое обслуживание**
 - a. **Ремонт Вашего электроинструмента должен производиться только квалифицированными специалистами с использованием идентичных запасных частей.** Это обеспечит безопасность Вашего электроинструмента в дальнейшей эксплуатации.

ДОПОЛНИТЕЛЬНЫЕ МЕРЫ БЕЗОПАСНОСТИ ПРИ РАБОТЕ С ЭЛЕКТРОИНСТРУМЕНТАМИ



Внимание! Дополнительные правила безопасности при работе дрелями/винтовёртами

- При сверлении с ударом всегда надевайте противошумовые наушники. Воздействие шума может привести к потере слуха.
- При работе пользуйтесь дополнительными рукоятками, прилагающимися к инструменту. Потеря контроля над инструментом может привести к получению тяжелой травмы.
- Держите инструмент за изолированные ручки при выполнении операций, во время которых режущий инструмент может соприкасаться со скрытой проводкой. Контакт насадки с находящимися под напряжением проводом делает не покрытые изоляцией металлические части электроинструмента также «живыми», что создаёт опасность поражения оператора электрическим током.
- Держите инструмент за изолированные ручки при выполнении операций, во время которых крепёжный элемент может соприкасаться со скрытой проводкой. Контакт крепёжного элемента с находящимся под напряжением проводом делает не покрытые изоляцией металлические части электроинструмента также «живыми», что создаёт опасность поражения оператора электрическим током.
- Используйте струбцины или другие приспособления для фиксации обрабатываемой детали, устанавливая их только на неподвижной поверхности. Если держать обрабатываемую деталь руками или с упором в собственное тело, то можно потерять контроль над инструментом или обрабатываемой деталью.
- Прежде чем сверлить отверстия в стенах, полах или потолках, проверьте наличие электропроводки и трубопроводов.
- Не дотрагивайтесь до наконечника сверла сразу же после окончания сверления, так как он может быть горячим.
- Назначение инструмента описывается в данном руководстве по эксплуатации.
- Использование любых принадлежностей или приспособлений, а также выполнение данным инструментом любых видов работ, не рекомендованных данным руководством по эксплуатации, может привести к несчастному случаю и/или повреждению личного имущества.

БЕЗОПАСНОСТЬ ПОСТОРОННИХ ЛИЦ

- Данное изделие не может использоваться людьми (включая детей) со сниженными физическими, сенсорными и умственными способностями или при отсутствии необходимого опыта или навыка, за исключением, если они выполняют работу под пристальным взглядом лица, отвечающего за их безопасность.

- Не позволяйте детям играть с инструментом.

Остаточные риски

При работе данным инструментом возможно возникновение дополнительных остаточных рисков, которые не вошли в описанные здесь правила техники безопасности. Эти риски могут возникнуть при неправильном или продолжительном использовании изделия и т.п.

Несмотря на соблюдение соответствующих инструкций по технике безопасности и использование предохранительных устройств, некоторые остаточные риски невозможно полностью исключить. К ним относятся:

- Травмы в результате касания вращающихся/двигающихся частей инструмента.
- Риск получения травмы во время смены деталей или насадок.
- Риск получения травмы, связанный с продолжительным использованием инструмента. При использовании инструмента в течение продолжительного периода времени делайте регулярные перерывы в работе.
- Ухудшение слуха.
- Ущерб здоровью в результате вдыхания пыли в процессе работы с инструментом (например, при обработке древесины, в особенности, дуба, бука и ДВП).

МАРКИРОВКА ИНСТРУМЕНТА

Помимо кода даты на инструменте имеются следующие знаки:



Внимание! Полное ознакомление с руководством по эксплуатации снизит риск получения травмы.



Всегда работайте в защитных очках



Всегда используйте средства защиты слуха

Положение даты штрих-кода

Дата кода, который также включает год изготовления, печатается на корпусе.

Пример:

2017 XX JN

Год изготовления

Дополнительные меры безопасности при работе с аккумуляторами и зарядными устройствами

Аккумуляторы

- Ни в коем случае не пытайтесь разобрать аккумулятор.
- Не погружайте аккумулятор в воду.

- Не храните в местах, где температура может превысить 40 °С.
- Заряжайте аккумулятор только при температуре окружающей среды в пределах 10°C - 40°C.
- Заряжайте только зарядными устройствами, входящими в комплект поставки инструмента.
- Утилизируйте отработанные аккумуляторы, следуя инструкциям раздела «Защита окружающей среды».



Ни в коем случае не пытайтесь заряжать повреждённый аккумулятор!

Зарядные устройства

- Используйте ваше зарядное устройство Stanley только для зарядки аккумулятора инструмента, в комплект поставки которого он входит. Аккумуляторы других марок могут взорваться, что приведёт к получению травмы или повреждению инструмента.
- Ни в коем случае не пытайтесь зарядить непerezаряжаемые аккумуляторы.
- Немедленно заменяйте повреждённый сетевой кабель.
- Не погружайте зарядное устройство в воду.
- Не разбирайте зарядное устройство.
- Не используйте зарядное устройство в качестве объекта для проведения испытаний.



Зарядное устройство предназначено только для использования внутри помещений.



Перед началом работы внимательно прочтите руководство по эксплуатации.

Электробезопасность



Ваше зарядное устройство защищено двойной изоляцией, что исключает потребность в заземляющем проводе. Всегда проверяйте, соответствует ли напряжение, указанное на табличке с техническими параметрами, напряжению электросети. Ни в коем случае не пытайтесь заменить зарядный блок стандартным сетевым штепселем.

- Во избежание несчастного случая, замена повреждённого кабеля питания должна производиться только на заводе-изготовителе или в авторизованном сервисном центре Stanley.

СОСТАВНЫЕ ЧАСТИ

Ваш инструмент может содержать все или некоторые из перечисленных частей:

1. Курковый пусковой выключатель
2. Переключатель направления вращения (реверса)
3. Муфта установки крутящего момента
4. Переключатель скоростей
5. Быстрозажимной патрон
6. Аккумулятор

7. Отпирающая кнопка аккумулятора
8. Светодиодная подсветка
9. Гнездо для хранения насадок

Эксплуатация

Внимание! Не форсируйте рабочий процесс. Избегайте перегрузки инструмента.

ЗАРЯДКА АККУМУЛЯТОРА

Аккумулятор нуждается в зарядке перед первым использованием и если он не обеспечивает достаточную мощность для работ, которые ранее выполнялись легко и быстро. В процессе зарядки аккумулятор может слегка гудеть и нагреваться. Это нормально и не указывает на наличие какой-либо проблемы.

Внимание! Не заряжайте аккумулятор при температуре окружающей среды ниже 10 °С или выше 40 °С. Рекомендуемая температура зарядки: приблизительно 24 °С.

Примечание: Зарядное устройство не будет заряжать аккумулятор, если температура его элементов ниже 10 °С или выше 40 °С.

Аккумулятор должен быть оставлен в зарядном устройстве. При уменьшении или увеличении температуры элементов зарядка начнётся автоматически.

- Перед тем как вставить аккумулятор, подключите вилку зарядного устройства к соответствующей сетевой розетке.
- Вставьте аккумулятор в зарядное устройство.



Начнёт мигать зелёный светодиодный индикатор, оповещая о зарядке аккумулятора.



После завершения зарядки зелёный светодиодный индикатор перейдёт в режим непрерывного свечения. Аккумулятор полностью заряжен, и его можно использовать с инструментом или оставить в зарядном устройстве.

Внимание! По возможности заряжайте разряженные аккумуляторы сразу после использования. Срок службы аккумулятора, содержащегося в разряженном состоянии, значительно уменьшается.

Выявление неисправностей зарядным устройством

Данное зарядное устройство разработано с целью обнаружения некоторых проблем, связанных с работой аккумулятора или источника питания. Оповещение о наличии проблемы производится путём мигания одного светодиода по определённой схеме.

Неисправность аккумулятора

Зарядное устройство способно обнаружить протечку или наличие неисправности аккумулятора. В том случае красный светодиод начнёт мигать по схеме, обозначенной на этикетке. Если Вы видите такое мигание, остановите зарядку аккумулятора. Верните аккумулятор в авторизованный сервисный центр или сдайте в приёмный пункт на переработку.

Пауза для согревания/охлаждения аккумулятора

Если зарядное устройство определит, что аккумулятор чрезмерно охлаждён или нагрет, автоматически иницируется пауза для согревания/охлаждения, в течение которой аккумулятор достигает оптимальной для зарядки температуры. После охлаждения аккумулятора зарядное устройство автоматически переключится в режим зарядки. Данная функция увеличивает максимальный срок службы аккумулятора. При обнаружении охлаждения/нагревания аккумулятора красный светодиод начнёт мигать по схеме, обозначенной на этикетке.

Проблема с линией электропитания

При использовании зарядного устройства с некоторыми переносными источниками питания, например, с генераторами или инверторами, преобразующими постоянный ток в переменный ток, зарядное устройство может временно приостановить свою работу. В этом случае светодиодный индикатор начнёт мигать по схеме, обозначенной на этикетке. Это будет означать, что источник питания находится за пределами допустимых значений.

Оставление аккумулятора в зарядном устройстве

Аккумулятор может оставаться в зарядном устройстве при горящем светодиодном индикаторе в течение неограниченного периода времени. Зарядное устройство сохранит аккумулятор полностью заряженным и готовым к работе.

Только Для Ионно-Литиевых (Li-Ion) Аккумуляторов

Аккумуляторы Li-Ion спроектированы по Электронной Защитной Системе, которая защищает аккумулятор от перегрузки, перегрева или глубокой разрядки. При срабатывании Электронной Защитной Системы инструмент автоматически отключится. Если это произошло, поместите Li-Ion аккумулятор в зарядное устройство до его полной зарядки.

ВАЖНЫЕ ПРИМЕЧАНИЯ К ЗАРЯДКЕ

- Продолжительный срок службы и высокая производительность аккумулятора будет достигнута, если заряжать аккумулятор при температуре воздуха от +18° до +24°C. НЕ ЗАРЯЖАЙТЕ аккумулятор при температуре ниже +4,5°C или выше +40,5°C. Важно соблюдать данное условие, это предотвратит серьёзные повреждения аккумулятора.
- В процессе зарядки зарядное устройство и аккумулятор могут быть тёплыми на ощупь. Это нормальное явление и не указывает на наличие какой-либо неисправности. Для быстрого охлаждения аккумулятора после использования, избегайте размещения зарядного устройства или аккумулятора в тёплых местах, например, под металлическим навесом или в неизолированных автоприцепах.
- Если аккумулятор не заряжается должным образом:
- Проверьте выходной ток штепсельной розетки, подключив к ней лампу или любой другой прибор.
- Убедитесь, что розетка соединена с выключателем освещения и отключается при выключении света.
- Перенесите зарядное устройство и аккумулятор в помещение, где температура воздуха достигает 18°-24°C. Если зарядка всё же не происходит должным образом, отнесите инструмент, аккумулятор и зарядное устройство в авторизованный сервисный центр Stanley.
- Аккумулятор следует подзаряжать, если он не обеспечивает достаточную мощность для работ, которые ранее выполнялись легко и быстро.
- НЕ ИСПОЛЬЗУЙТЕ аккумулятор в данных условиях. Следуйте процедуре зарядки.
- Вы также можете подзаряжать частично использованные аккумуляторы без каких-либо негативных последствий для аккумуляторов.

Установка и извлечение аккумулятора из инструмента

Внимание! Чтобы предотвратить срабатывание пускового выключателя, перед установкой или извлечением аккумулятора убедитесь, что нажата кнопка защиты от непреднамеренного пуска.

ПРИМЕЧАНИЕ: Убедитесь, что аккумулятор (6) полностью заряжен.

Для установки аккумулятора в рукоятку инструмента - рис. А

1. Совместите аккумулятор с бороздками внутри рукоятки инструмента.
2. Вдвигайте аккумулятор в рукоятку, пока не услышите, что замок защёлкнулся на месте.

Для извлечения аккумулятора из инструмента - рис. В

1. Нажмите на отпирающую кнопку (7) и извлеките аккумулятор из рукоятки инструмента.
2. Вставьте аккумулятор в зарядное устройство, как описано в разделе «Зарядное устройство» данного руководства.

ЭКСПЛУАТАЦИЯ

Курковый пусковой выключатель и переключатель направления вращения – Рисунок С

- Данная дрель включается и выключается путём нажатия и отпускания куркового пускового выключателя (1), как показано на Рисунке С. Чем сильнее нажим на курковый выключатель, тем выше скорость инструмента.
- Переключатель направления вращения (2) устанавливает направление вращения инструмента, а также служит кнопкой блокировки.
- Для установки вращения вперёд, отпустите курковый выключатель и нажмите на переключатель направления вращения с правой стороны инструмента.
- Для установки реверса, нажмите на переключатель направления вращения с левой стороны инструмента.
- Кнопка переключателя, установленная в среднее положение, блокирует инструмент в состоянии «выключено». При изменении положения кнопки переключателя не забывайте отпускать курковый выключатель.

ЭКСПЛУАТАЦИЯ

Установка крутящего момента – Рисунок D

Данный инструмент оборудован муфтой установки крутящего момента (3) для выбора режима работы и регулировки крутящего момента при заворачивании саморезов. Крупные саморезы и заготовки из твёрдых материалов нуждаются в более высоком крутящем моменте, чем мелкие саморезы и заготовки из мягких материалов.

- При сверлении в древесине, металле и пластике установите муфту напротив символа режима сверления.
- При заворачивании установите муфту на цифре, соответствующей необходимому для работы крутящему моменту. Если Вы не знаете, какая из настроек в полной мере соответствует выполняемой операции, поступите следующим образом:
- Установите муфту на позицию минимального крутящего момента.
- Заверните первый саморез.
- Если до завершения операции муфта пробуксовывает, увеличьте крутящий момент и продолжите заворачивание.
- Повторяйте это действие, пока не будет определена правильная величина крутящего момента.
- Используйте эту величину при заворачивании остальных саморезов.

Переключатель скоростей – Рисунок E

2-х скоростной редуктор Вашего инструмента позволяет

легко переключаться с одной скорости на другую для максимальной универсальности применения инструмента.

- Для установки низкой скорости/высокого крутящего момента (положение 1) выключите инструмент и дождитесь его полной остановки. Переведите переключатель скоростей (4) в направлении от патрона.
- Для установки высокой скорости/низкого крутящего момента (положение 2) выключите инструмент и дождитесь его полной остановки. Переведите переключатель скоростей назад в направлении патрона.
- Примечание: Не переключайте скорость при работающем инструменте. Если у Вас возникли проблемы при переключении скоростей, убедитесь, что переключатель скоростей полностью переведён вперёд или назад.

Быстрозажимной патрон - Рисунок F

Внимание! Чтобы предотвратить внезапный запуск инструмента, перед установкой или снятием насадок убедитесь, что из инструмента извлечён аккумулятор.

Чтобы вставить сверло или другую насадку:

- Развернув патрон задней стороной к себе, обхватите патрон (5) и поворачивайте его в направлении против часовой стрелки.
- Вставьте хвостовик сверла или другой насадки в патрон до упора. Развернув патрон задней стороной к себе, надёжно затяните патрон, поворачивая его в направлении по часовой стрелке.

Внимание! Не пытайтесь закрепить или ослабить сверло (или какую-либо другую насадку), захватив переднюю часть патрона и одновременно включив инструмент. Это может привести к повреждению патрона и получению травмы при смене насадок.

Заворачивание

- Для заворачивания саморезов полностью вдвиньте переключатель направления вращения влево.
- Для выкручивания саморезов используйте реверс (вдвинув переключатель вправо).

Примечание: При переключении направления вращения всегда сначала отпускайте курковый пусковой выключатель.

Сверление

- Всегда используйте только остро заточенные насадки.
- Поддерживайте и закрепляйте заготовку надлежащим образом, как описано в Инструкциях по технике безопасности.
- Используйте надлежащее и соответствующее защитное оборудование, как описано в Инструкциях по технике безопасности

- Обеспечьте безопасность рабочего места, как описано в Инструкциях по технике безопасности.
- Прилагая лёгкое давление на дрель, очень медленно начните сверление, пока высверливаемое отверстие не будет достаточного размера, чтобы из него не выскользнуло сверло.
- Прилагайте давление по прямой линии со сверлом. Давление должно быть достаточным для равномерного врезания сверла, но не слишком сильным, чтобы не вызвать останов двигателя или отклонение сверла.
- Крепко удерживайте дрель обеими руками, одной рукой обхватив основную рукоятку, другой рукой удерживая нижнюю часть аккумулятора или дополнительную рукоятку, если имеется.
- ПРИ ВНЕЗАПНОМ ОСТАНОВЕ НЕ ПЫТАЙТЕСЬ ЗАПУСТИТЬ ДВИГАТЕЛЬ МНОГОКРАТНЫМ НАЖАТИЕМ НА КУРКОВЫЙ ПУСКОВОЙ ВЫКЛЮЧАТЕЛЬ. ЭТО МОЖЕТ ПРИВЕСТИ К ПОВРЕЖДЕНИЮ ДРЕЛИ.
- Для сведения к минимуму риск внезапного останова ослабьте прилагаемое давление и медленно закончите высверливание отверстия.
- Не выключайте двигатель при извлечении сверла из высверленного отверстия. Это позволит снизить риск заклинивания сверла.
- Убедитесь, что инструмент включается и выключается при нажатии и отпускании пускового выключателя.

Сверление в дереве

Для сверления в дереве можно также использовать спиральные свёрла для металла или перьевые свёрла для сверления древесины.

Данные свёрла должны быть остро заточенными, и во время сверления их следует часто извлекать из отверстия для прочищения канавок от опилок.

Сверление в металле

При сверлении металлов используйте смазочно-охлаждающую жидкость. Исключение составляют чугун и медь, которые нужно сверлить без смазки. Наиболее эффективные смазочные материалы – сульфированная СОЖ.

Светодиодная подсветка

При нажатии на курковый пусковой выключатель (1) автоматически загорится встроенная светодиодная подсветка (8), освещающая рабочую зону.

Примечание: Подсветка служит для освещения рабочей поверхности и не предназначена для использования в качестве фонарика.

Хранение насадок

В основание инструмента встроено гнездо для хранения насадок (9).

Возможные неисправности и способы их устранения

Проблема	Возможная причина	Возможное решение
Инструмент не включается.	Неправильно установлен аккумулятор. Аккумулятор не заряжен.	Проверьте правильность установки аккумулятора. Проверьте состояние заряда аккумулятора
Инструмент немедленно включается при установке аккумулятора.	Пусковой выключатель был оставлен в положении «вкл.».	Для предотвращения запуска инструмента при установке аккумулятора пусковой выключатель должен быть установлен в положение «выкл.».
Аккумулятор не заряжается.	Аккумулятор не вставлен в зарядное устройство. Вилка зарядного устройства не подключена к розетке. Слишком высокая или слишком низкая температура окружающей среды.	Вставьте аккумулятор в зарядное устройство и дождитесь горения светодиодных индикаторов. Вставьте вилку зарядного устройства в рабочую розетку. Перенесите аккумулятор в зарядное устройство в место, где температура окружающей среды не ниже +4,5°C и не выше +40,5°C.
Инструмент внезапно отключается.	Аккумулятор достиг своего максимального теплового предела. Аккумулятор разряжен. (Чтобы максимально продлить срок службы аккумулятора, его конструкция предусматривает автоматическое отключение при чрезмерном истощении заряда).	Дайте аккумулятору полностью остыть. Установите аккумулятор в зарядное устройство и оставьте его заряжаться.

ТЕХНИЧЕСКОЕ ОБСЛУЖИВАНИЕ

Ваш инструмент Stanley рассчитан на работу в течение продолжительного времени при минимальном техническом обслуживании. Срок службы и надёжность инструмента увеличивается при правильном уходе и регулярной чистке.

Ваше зарядное устройство не требует никакого дополнительного технического обслуживания, кроме регулярной чистки.

Внимание! Перед любыми видами работ по техническому обслуживанию извлекайте из инструмента аккумулятор. Перед чисткой зарядного устройства отключите его от источника питания.

- Регулярно очищайте вентиляционные отверстия вашего инструмента и зарядного устройства мягкой щёткой или сухой тканью.

- Регулярно очищайте корпус двигателя влажной тканью. Не используйте абразивные чистящие средства, а также чистящие средства на основе растворителей.
- Регулярно раскрывайте патрон и вытряхивайте из него всю накопившуюся пыль.

Защита окружающей среды



Раздельный сбор. Данное изделие нельзя утилизировать вместе с обычными бытовыми отходами.

Если однажды Вы захотите заменить Ваш электроинструмент STANLEY, или Вы больше в нем не нуждаетесь, не выбрасывайте его вместе с бытовыми отходами. Отнесите изделие в специальный приемный пункт.



Фирма STANLEY обеспечивает прием и переработку отслуживших свой срок изделий STANLEY. Чтобы воспользоваться этой услугой,

Вы можете сдать Ваше изделие в любой авторизованный сервисный центр, который собирает их по нашему поручению. Вы можете узнать место нахождения Вашего

ближайшего авторизованного сервисного центра, обратившись в Ваш местный офис STANLEY по адресу, указанному в данном руководстве по эксплуатации. Кроме того, список авторизованных сервисных центров STANLEY и полную информацию о нашем послепродажном обслуживании и контактах Вы можете найти в интернете по адресу: www.2helpU.com.

Аккумуляторы



Аккумуляторы STANLEY можно подзаряжать неограниченное количество раз. По окончании срока службы утилизируйте отработанные аккумуляторы безопасным для окружающей среды способом:

- Полностью разрядите аккумулятор, затем извлеките его из инструмента.
- Li-Ion, NiCd и NiMH аккумуляторы подлежат переработке. Сдайте их в любой авторизованный сервисный центр или в местный пункт переработки.

Примечания

Политика STANLEY нацелена на постоянное усовершенствование нашей продукции, поэтому фирма оставляет за собой право изменять технические характеристики изделий без предварительного уведомления. Стандартное оборудование и дополнительные принадлежности могут меняться в зависимости от страны продаж. Технические характеристики продуктов могут различаться в

зависимости от страны продаж. Полная линия продуктов присутствует на рынках не всех стран. Для получения информации касательно линии продуктов в Вашей стране обратитесь в ближайший сервисный центр STANLEY

ТЕХНИЧЕСКИЕ ХАРАКТЕРИСТИКИ

SBD20		
Напряжение питания	В пост. тока	18
Скорость без нагрузки	об/мин.	0-430/0-1700
Макс. крутящий момент	Нм	55
Держатель насадок	мм	13
Максимальный диаметр сверления		
Сталь/дерево	мм	13/35
Вес	кг	1,5

Зарядное устройство	SC201	SC202	
Входное напряжение	В перем. тока	220-240	220-240
Выходное напряжение	В пост. тока	18	18
Выходной ток	мА	1000	2000
Приблизительное время зарядки	мин.	80-240	40-120

Аккумулятор	SB20C	SB20S	SB20D	SB20M	
Напряжение питания	В пост. тока	18	18	18	18
Ёмкость	Ач	1,3	1,5	2,0	4,0
Тип		Li-Ion	Li-Ion	Li-Ion	Li-Ion

Информация по техническому обслуживанию

STANLEY имеет обширную сеть принадлежащих компании и авторизованных сервисных центров. В целях предоставления клиентам эффективного и надёжного технического обслуживания электроинструментов во всех сервисных центрах STANLEY работает обученный персонал. За дополнительной информацией о наших авторизованных сервисных центрах, а также, если Вы нуждаетесь в технической консультации, ремонте или покупке оригинальных запасных частей, обратитесь в ближайший к Вам сервисный центр STANLEY.

STANLEY

Гарантийные условия

Уважаемый покупатель!

1. Поздравляем Вас с покупкой высококачественного изделия STANLEY и выражаем признательность за Ваш выбор.
2. При покупке изделия требуйте проверки его комплектности и исправности в Вашем присутствии, инструкцию по эксплуатации и заполненный гарантийный талон на русском языке.
В гарантийном талоне должны быть внесены: модель, дата продажи, серийный номер, дата производства инструмента; название, печать и подпись торговой организации. При отсутствии у Вас правильно заполненного гарантийного талона, а также несоответствия указанных в нем данных мы будем вынуждены отклонить Ваши претензии по качеству данного изделия.
3. Во избежание недоразумений убедительно просим Вас перед началом работы с изделием внимательно ознакомиться с инструкцией по его эксплуатации. Правовой основой настоящих гарантийных условий является действующее Законодательство. Гарантийный срок на данное изделие составляет 24 месяца и исчисляется со дня продажи. В случае устранения недостатков изделия, гарантийный срок продлевается на период его нахождения в ремонте. Срок службы изделия составляет 5 лет со дня продажи.
4. В случае возникновения каких-либо проблем в процессе эксплуатации изделия рекомендуем Вам обращаться только в уполномоченные сервисные центры STANLEY, адреса и телефоны которых Вы сможете найти в гарантийном талоне, на сайте www.2helpU.com или узнать в магазине. Наши сервисные станции - это не только квалифицированный ремонт, но и широкий ассортимент запчастей и принадлежностей.
5. Производитель рекомендует проводить периодическую проверку и техническое обслуживание изделия в уполномоченных сервисных центрах.

EAC

Изготовитель

Блэк энд Деккер Холдингс ГмБХ
Германия, 65510, Идштайн,
ул. Блэк энд Деккер, 40

6. Наши гарантийные обязательства распространяются только на неисправности, выявленные в течение гарантийного срока и вызванные дефектами производства и \ или материалов.
7. **Гарантийные условия не распространяются на неисправности изделия, возникшие в результате:**
 - 7.1. Несоблюдения пользователем предписаний инструкции по эксплуатации изделия, применения изделия не по назначению, неправильного хранения, использования принадлежностей, расходных материалов и запчастей, не предусмотренных производителем.
 - 7.2. Механического повреждения (сколы, трещины и разрушения) внутренних и внешних деталей изделия, основных и вспомогательных рукояток, сетевого электрического кабеля, вызванного внешним ударным или любым иным воздействием
 - 7.3. Попадания в вентиляционные отверстия и проникновение внутрь изделия посторонних предметов, материалов или веществ, не являющихся отходами, сопровождающими применение изделия по назначению, такими как: стружка, опилки, песок, и пр.
 - 7.4. Воздействий на изделие неблагоприятных атмосферных и иных внешних факторов, таких как дождь, снег, повышенная влажность, нагрев, агрессивные среды, несоответствие параметров питающей электросети, указанных на инструменте.
 - 7.5. Стихийного бедствия. Повреждение или утрата изделия, связанное с непредвиденными бедствиями, стихийными явлениями, в том числе вследствие действия непреодолимой силы (пожар, молния, потоп и другие природные явления), а так же вследствие перепадов напряжения в электросети и другими причинами, которые находятся вне контроля производителя.
8. **Гарантийные условия не распространяются:**
 - 8.1. На инструменты, подвергшиеся вскрытию, ремонту или модификации вне уполномоченного сервисного центра.
 - 8.2. На детали и узлы, имеющие следы естественного износа, такие как: приводные ремни и колеса, угольные щетки, смазка, подшипники, зубчатое зацепление редукторов, резиновые уплотнения, сальники, направляющие ролики, муфты, выключатели, бойки, толкатели, стволы, и т.п.
 - 8.3. На сменные части: патроны, цанги, зажимные гайки и фланцы, фильтры, аккумуляторные батареи, ножи, шлифовальные подошвы, цепи, звездочки, пильные шины, защитные кожухи, пилки, абразивы, пильные и абразивные диски, фрезы, сверла, буры и т.п.
 - 8.4. На неисправности, возникшие в результате перегрузки инструмента (как механической, так и электрической), повлекшей выход из строя одновременно двух и более деталей и узлов, таких как: ротора и статора, обеих обмоток статора, ведомой и ведущей шестерни редуктора или других узлов и деталей. К безусловным признакам перегрузки изделия относятся, помимо прочего: появление цветов побежалости, деформация или оплавление деталей и узлов изделия, потемнение или обугливание изоляции проводов электродвигателя под воздействием высокой температуры.

Призначення

Дриль/шурупверт Stanley SBD20 призначений для вкручування шурупів та свердління дерева, металів та пластмас. Інструмент для професійного використання.

Вказівки з техніки безпеки

Загальні вказівки щодо безпечної роботи з електричним інструментом

Наведені нижче визначення описують рівень небезпеки за кожним сигнальним словом. Будь ласка, уважно прочитайте цей посібник та зверніть увагу на наступні знаки.



Увага! Уважно прочитайте всі попереджувальні написи та вказівки з техніки безпеки. Порушення наведених нижче попереджувальних написів і вказівок може призвести до ураження електричним струмом, пожежі та/або серйозних травм.

Зберігайте всі попереджувальні написи та вказівки щодо безпечної роботи для використання в майбутньому. Термін «електричний інструмент», що використовується у всіх застережливих написах та вказівках щодо техніки безпеки, представлених нижче, відноситься до електричного інструменту, що працює від мережі (зі шнуром електроживлення) або від акумуляторної батареї (без шнура живлення).

1. Вказівки з техніки безпеки на робочому місці

- a. **Утримуйте робоче місце в чистоті і добре освітленим.** Безлад або погане освітлення на робочому місці можуть призвести до нещасного випадку.
- b. **Не працюйте з електроінструментом в місці зберігання вибухонебезпечних матеріалів, наприклад, у присутності легкозаймистих рідин, газів або пилу.** Електричні інструменти створюють іскри, що можуть запалити пил або пари.
- c. **Забороняється перебування дітей та сторонніх осіб поблизу працюючого електричного інструменту.** Ви можете відволіктися і втратити контроль за роботою інструменту.

2. Електрична безпека

- a. **Вилка шнура живлення інструмента повинна відповідати мережевій розетці. Забороняється вносити будь-які зміни у вилку шнура живлення. Не використовуйте жодних вилок-перехідників із заземленими (зануленими) електроінструментами.** Відсутність змін у вилках шнурів живлення та відповідність електричних вилок і розеток знижує ризик ураження електричним струмом.
- b. **Не торкайтеся поверхонь заземлених чи**

занулених предметів, наприклад труб, радіаторів, електроплит або холодильників. Заземлення чи занулення тіла підвищує ризик ураження електричним струмом.

- c. **Забороняється піддавати електричні інструменти впливу дощу чи підвищеної вологості.** При попаданні вологи всередину електричного інструмента підвищується ризик ураження електричним струмом.
- d. **Забороняється пошкоджувати шнур живлення. У жодному разі не використовуйте шнур живлення для перенесення чи зміни положення інструмента; не тягніть за шнур, виймаючи вилку з розетки. Не прокладайте шнур живлення поруч із гарячими предметами, мастилом, гострими краями і рухомими деталями.** Пошкодження й заплутування шнурів живлення підвищує ризик ураження електричним струмом.
- e. **Під час роботи з електричним інструментом за межами приміщень використовуйте відповідний подовжувач.** Використання подовжувача, призначеного для роботи поза приміщеннями, знижує ризик ураження електричним струмом.
- f. **Якщо електричним інструментом необхідно користуватися у вологому місці, слід використовувати пристрій захисного відключення (ПЗВ) електричної мережі.** Використання ПЗВ знижує ризик ураження електричним струмом.

3. Безпека персоналу

- a. **Під час роботи з електричним інструментом необхідно бути обачним, слідкувати за виконуваною роботою та керуватися здоровим глуздом. Забороняється працювати з електричним інструментом у стані втоми чи під впливом наркотиків, алкоголю й лікарських препаратів.** Ослаблення уваги навіть на мить може призвести до серйозної травми.
- b. **Використовуйте засоби індивідуального захисту. Завжди користуйтеся засобами захисту очей.** Використання у відповідних умовах засобів індивідуального захисту, наприклад пилозахисної маски, протиковзного захисного взуття, захисної каски або засобів захисту органів слуху, завжди знижує ризик отримання травми.
- c. **Не допускайте ненавмисного вмикання інструмента. Перш ніж підключити джерело живлення та/або акумулятор, піднімати чи переносити інструмент, переконайтеся, що його вимикач переведено у положення «вимкнено».** Якщо тримати палець на вимикачі під час перенесення інструмента чи підключення увімкненого інструмента до мережі, це підвищує ризик нещасного випадку.

- d. **Перш ніж увімкнути електричний інструмент, обов'язково вийміть із нього регульовальний чи гайковий ключ.** Ключ, залишений ключ на обертальній деталі інструмента, може призвести до травмування.
- e. **Не намагайтеся дотягнутися до важкодоступних місць.** Завжди міцно тримайтеся на ногах і зберігайте рівновагу під час роботи. Це дозволяє краще контролювати електричний інструмент у непередбачуваних ситуаціях.
- f. **Одягайте відповідний одяг.** Забороняється одягати вільний одяг або прикраси. Волосся, одяг та рукавиці повинні знаходитися на максимальній відстані від рухомих деталей інструмента. Вільний одяг, прикраси або довге волосся можуть бути захоплені рухомими деталями.
- g. **Якщо встановлені пристрої підключення засобів пиловловлювання та пилозбірників, необхідно перевіряти, щоб вони були підключені та використовувалися належним чином.** Використання цих пристроїв знижує рівень ризику, пов'язаного з пилом.

4. Використання та догляд за електричним інструментом

- a. **Не застосовуйте надмірне зусилля до електричного інструмента.** Використовуйте електричний інструмент тільки за призначенням. Правильно підібраний електроінструмент дозволить виконати роботу краще і безпечніше при швидкості, для якої він був розроблений.
- b. **Забороняється використовувати цей електричний інструмент, якщо не вдається ввімкнути чи вимкнути його вимикачем.** Будь-який електричний інструмент, роботою якого неможливо керувати за допомогою вимикача, є небезпечним, і його обов'язково потрібно відремонтувати.
- c. **Перш ніж регулювати електричний інструмент, замінювати на ньому приладдя чи класти на зберігання, необхідно витягти вилку живлення з розетки та/або зняти з нього акумулятор.** Такий превентивний захід безпеки знижує ризик випадкового увімкнення інструмента.
- d. **Зберігайте електричний інструмент, який в даний момент не використовується, в недоступному для дітей місці та не дозволяйте працювати з інструментом особам, які не знайомі з ним або з цими вказівками.** Електричний інструмент є небезпечним в руках ненавченої людини.
- e. **Підтримуйте інструмент в робочому стані.** Перевіряйте центрування та з'єднання рухомих деталей, наявність пошкоджених деталей та будь-які фактори, які можуть негативно позначитися на роботі електричного інструмента.

У разі виявлення пошкодження електричний інструмент необхідно відремонтувати перед використанням. Багато нещасних випадків трапляється через неналежне технічне обслуговування електричних інструментів.

- f. **Ріжучі інструменти мають бути загостреними й чистими.** Підтримуваний у належному робочому стані ріжучий інструмент з гострими лезами менше застряє, ним легше керувати.
 - g. **Використовуйте електричний інструмент, приладдя, вставні різці і т. п. відповідно до даних вказівок, враховуючи умови експлуатації та роботу, яка має бути виконана.** Використання електричного інструменту не за призначенням може призвести до небезпечної ситуації.
- #### 5. Використання та догляд за акумуляторною батареєю
- a. **Зарядка акумуляторної батареї повинна виконуватися тільки за допомогою того зарядного пристрою, який вказав виробник акумуляторної батареї.** Якщо зарядний пристрій, який підходить для одного типу акумулятора, використовувати для зарядки акумулятора іншого типу, це може призвести до виникнення пожежонебезпечної ситуації.
 - b. **Використовуйте електричний інструмент тільки з конкретно зазначеними акумуляторними батареями.** Використання будь-яких інших акумуляторних батарей підвищує ризик травмування та виникнення пожежонебезпечної ситуації.
 - c. **Якщо акумуляторна батарея не використовується, вона повинна зберігатися окремо від металевих предметів, таких як канцелярські скріпки, монети, ключі, цвяхи, шурупи та інші невеликі металеві предмети, які можуть закоротити клеми батареї.** Коротке замикання акумулятора може призвести до їх вигорання або загоряння акумулятора.
 - d. **В умовах неправильної експлуатації рідкий електроліт може бути викинутий з акумуляторної батареї, тому слід остерігатися контакту з електролітом.** Якщо стався випадковий контакт з рідким електролітом, промийте це місце водою. Якщо рідина потрапила в очі, необхідно також звернутися за медичною допомогою. Контакт з рідиною, викинутою з акумуляторної батареї, може призвести до подразнення або опіків.
 - e. **Обслуговування**
 - a. **Обслуговувати електричний інструмент повинен тільки кваліфікований ремонтний персонал із використанням лише ідентичних запасних частин.** Це забезпечить утримання електричного інструмента у безпечному стані.

ДОДАТКОВІ ЗАСТЕРЕЖЕННЯ З ТЕХНІКИ БЕЗПЕКИ ПРИ РОБОТІ З ЕЛЕКТРИЧНИМ ІНСТРУМЕНТОМ



Увага! Додаткові вказівки щодо безпечної роботи з дрилем/шурупвертом.

- **При роботі з ударними дрелями надягайте засоби захисту органів слуху.** Вплив шуму може призвести до порушення слуху.
- **Використовуйте допоміжні рукоятки, які поставляються разом з інструментом.** Втрата управління інструментом може призвести до травмування.
- **Під час виконання робіт, коли ріжуча деталь електричного інструменту може стикатися з прихованою електропроводкою, інструмент необхідно тримати за діелектричну поверхню.** При контакті ріжучої деталі з проводом під напругою, під напругу можуть потрапити металеві деталі електричного інструменту, внаслідок чого виникає небезпека ураження оператора електричним струмом.
- **Під час виконання робіт, коли кріпильна деталь електричного інструменту може стикатися з прихованою електропроводкою, інструмент необхідно тримати за діелектричну поверхню.** При контакті кріпильної деталі з проводом під напругою, під напругу можуть потрапити металеві деталі електричного інструменту, внаслідок чого виникає небезпека ураження оператора електричним струмом.
- **Для фіксації положення оброблюваної деталі на стійкій основі використовуйте затискачі або інший зручний і практичний спосіб.** Якщо тримати деталь руками або притискати її до тіла, вона буде перебувати в незакріпленому положенні, що може призвести до втрати контролю за роботою інструменту.
- Перед виконанням свердління стін, підлог і стель перевіряйте розташування електропроводки і труб.
- Не торкайтеся наконечника свердла дрилі після свердління, оскільки він може бути гарячим.
- Призначення інструменту описане в цій інструкції з експлуатації. Використання будь-якого приладдя і додаткових пристосувань разом з цим інструментом або використання інструменту в цілях, які не рекомендовані в цій інструкції, може призвести до виникнення ризику травмування персоналу та пошкодження майна.

сенсорними або розумовими здібностями або особами, у яких відсутній необхідний досвід і знання, крім випадків, коли вони знаходяться під наглядом і отримали належні інструкції по роботі з інструментом від особи, відповідальної за їхню безпеку.

- Щоб діти не гралися з інструментом, вони повинні знаходитися під наглядом.

Залишковий ризик

Додатковий залишковий ризик може виникнути у випадках використання інструменту, які можуть бути не враховані в перерахованих вказівках щодо безпечної роботи. Який ризик може виникати при неправильному використанні, тривалому використанні та ін.

Навіть при дотриманні всіх відповідних правил техніки безпеки та використанні захисних пристроїв деякий залишковий ризик все ж залишається. Він включає:

- Травми, отримані при торканні обертових і рухомих деталей.
- Травми, отримані при заміні деталей, ножів та приладдя.
- Травми, отримані внаслідок тривалого використання інструменту. При тривалому використанні інструменту необхідно робити регулярні перерви в роботі.
- Погіршення слуху.
- Шкода для здоров'я, викликана вдиханням пилу, яка з'являється під час роботи інструменту (наприклад, при роботі з деревом, особливо з дубом, буком або ДВП).

НАКЛЕЙКИ НА ІНСТРУМЕНТІ

До поверхні інструменту разом з кодом дати прикріплені наступні графічні зображення:



Увага! Для зниження ризику травмування оператор повинен прочитати цю інструкцію з експлуатації.



Використання для захисту очей



Використання захисту слуху

друкується на корпусі

Дата коду, який також включає рік виготовлення, друкується на корпусі.

Приклад:

2017 XX JN

Рік виготовлення

БЕЗПЕКА ІНШИХ ОСІБ

- Цей інструмент не призначений для використання особами (включаючи дітей) з обмеженими фізичними,

Додаткові вказівки щодо безпечного використання акумуляторних батарей та зарядних пристроїв

Акумуляторні батареї

- Незалежно від причини, ніколи не намагайтеся розкрити акумуляторну батарею.
- Не піддавайте акумулятор дії води.
- Не зберігайте акумуляторні батареї в місцях, де температура повітря може перевищувати 40 °C.
- Зарядку акумуляторної батареї необхідно виконувати при температурі навколишнього повітря в межах від 10 °C до 40 °C.
- Зарядку акумуляторної батареї необхідно виконувати тільки за допомогою зарядного пристрою, що поставляється разом з батареєю.
- Утилізацію акумуляторних батарей необхідно проводити відповідно до вказівок, що містяться в розділі «Захист навколишнього середовища».



Не намагайтеся заряджати пошкоджені акумуляторні батареї.

Зарядні пристрої

- Використовуйте зарядний пристрій Stanley тільки для зарядки акумуляторної батареї для інструменту, з яким вона була поставлена. При зарядці інших акумуляторних батарей може статись вибух, який призведе до травмування людей і пошкодження майна.
- Ніколи не намагайтеся заряджати акумуляторні батареї.
- Пошкоджені електричні шнури необхідно замінювати негайно.
- Не піддавайте зарядний пристрій впливу води.
- Не відкривайте зарядний пристрій.
- Не вимірюйте характеристики зарядного пристрою електричними приладами.



Зарядний пристрій призначений тільки для використання у приміщенні.



Перед його використанням прочитайте інструкцію з експлуатації.

Електрична безпека



Ваш зарядний пристрій має подвійну ізоляцію, і тому дріт заземлення йому не потрібен. Завжди перевіряйте, щоб мережева напруга відповідала значенню, зазначеному в таблиці з паспортними даними. Ніколи не намагайтеся замінити вилку в блоці зарядного пристрою звичайною мережевою вилкою.

- У разі пошкодження кабелю живлення, щоб уникнути виникнення небезпечних ситуацій, його заміну повинен виконати виробник обладнання або

уповноважений сервісний центр Stanley.

ХАРАКТЕРИСТИКИ

Цей побутовий прилад може мати всі або деякі з перерахованих нижче функцій.

1. Пусковий перемикач
2. Перемикач прямого/зворотного напрямку обертання
3. Кільце регулювання крутного моменту
4. Двобічний перемикач швидкостей обертання
5. Безключовий затискний патрон
6. Акумуляторна батарея
7. Кнопка розблокування акумуляторної батареї
8. Світлодіод робочого освітлення
9. Утримувач головок викруток

Використання

Увага! Дайте можливість інструменту працювати із притаманною йому швидкістю.

Не перевантажуйте його.

ЗАРЯДКА АКУМУЛЯТОРНОЇ БАТАРЕЇ

Заряджання акумуляторної батареї необхідно виконувати перед її першим використанням, а також кожного разу, коли вона не в змозі забезпечувати потужність, необхідну для виконання роботи, хоча перед цим така робота виконувалася легко. Під час зарядки акумуляторна батарея може нагріватися; це нормально і не означає наявності проблеми.

Увага! Заборонено заряджати акумуляторну батарею при температурі повітря нижче 10 °C і вище 40 °C. Рекомендована температура повітря для зарядки складає близько 24°C.

Примітка: зарядний пристрій не буде заряджати акумуляторну батарею, якщо температура її елемента становить приблизно нижче 10 °C або вище 40 °C. Акумулятор треба залишити у зарядному пристрої, який автоматично почне виконувати зарядку, коли температура елемента ввійде у вказані межі (підніметься або знизиться).

- Перш ніж вставляти акумуляторну батарею, увімкніть зарядний пристрій в розетку.

- Вставте акумуляторну батарею в зарядний пристрій.



Зелений світлодіодний індикатор почне блимати, що вказує на початок заряджання.



Після завершення заряджання зелений індикатор горить безперервно. Акумуляторна батарея повністю заряджена та готова до використання. Її можна залишити у зарядному пристрої.

Увага! Заряджайте розряджені акумуляторні батареї якомога скоріше, інакше строк служби батареї може суттєво скоротитися.

Діагностика зарядного пристрою

Зарядний пристрій може виявляти деякі несправності акумуляторної батареї або джерела живлення. Ці проблеми позначаються блиманням індикатора у певній послідовності.

Несправна акумуляторна батарея



Зарядний пристрій може визначити слабку або пошкоджену акумуляторну батарею. Червоний світлодіодний індикатор блимає у послідовності, вказаній на рисунку. В цьому випадку заряджати батарею заборонено. Відправте її в сервісний центр або до утилізаційного центру для переробки.

Затримка через перегрів/переохолодження акумуляторної батареї



Якщо зарядний пристрій визначає, що акумуляторна батарея занадто гаряча або холодна, початок заряджання автоматично відкладається, доки температура акумуляторної батареї не нормалізується. Після цього заряджання починається автоматично. Ця функція продовжує строк служби акумуляторної батареї. У разі затримки з а р я д ж а н н я ч е р е з п е р е г р і в / п е р е о х о л о д ж е н н я а к у м у л я т о р н о ї б а т а р е ї ч е р в о н и й с в і т л о д і о д н и й і н д и к а т о р б л и м а є у п о с л і д о в н о с т і, в к а з а н і й н а р и с у н к у.

Проблема з джерелом живлення



Якщо зарядний пристрій підключений до портативного джерела енергії, наприклад, генератора або перетворювача постійного/змінного струму, зарядний пристрій може тимчасово призупинити роботу. Світлодіодний індикатор блимає у послідовності, вказаній на рисунку. Це вказує на те, що струм джерела живлення за межами граничних значень.

Залишення акумуляторної батареї у зарядному пристрої.

Зарядний пристрій та акумуляторну батарею можна залишати з'єднаними на необмежений час з активним світлодіодним індикатором. Зарядний пристрій буде

підтримувати акумуляторну батарею у повністю зарядженому стані.

Тільки Для Літій-Іонних Акумуляторів

Літій-іонні акумулятори містять Систему електронного захисту, яка не допускає їх перевантаження, перегрівання або надто глибокого розрядження. У таких випадках акумулятор буде автоматично відключений цією Системою. Якщо це відбулося, приєднайте літій-іонний акумулятор до пристрою для зарядження і повністю зарядіть його.

ВАЖЛИВІ ПРИМІТКИ ЩОДО ЗАРЯДЖАННЯ

- Для продовження строку служби та досягнення оптимальних експлуатаційних характеристик заряджайте акумуляторну батарею при температурі 18–24 °C. Заборонено заряджати акумуляторну батарею при температурі повітря нижче +4,5 °C і вище +40,5 °C. Це захистить батарею від серйозних пошкоджень.
- В процесі заряджання зарядний пристрій та акумуляторна батарея можуть нагріватися. Це нормальне явище і не означає наявності проблеми. Для кращого охолодження акумуляторної батареї після використання не розміщуйте зарядний пристрій або акумуляторну батарею в теплому середовищі, наприклад, в металевому сараї або причепі без теплоізоляції.
- Якщо акумуляторна батарея не заряджається належним чином:
 - перевірте струм в розетці, підключивши до неї лампу або інший прилад;
 - перевірте, чи з'єднана розетка з вимикачем світла, який відключає живлення, коли ви вимикаєте світло;
 - перемістіть зарядний пристрій і акумулятор в місце, де температура становить приблизно 18–24 °C. d. Якщо проблеми із заряджанням не зникли, відправте інструмент, акумулятор і зарядний пристрій до найближчого сервісного центру Stanley.
- Акумуляторну батарею слід заряджати, коли вона не забезпечує достатню потужність для виконання робіт, на які раніше вистачало потужності.
- НЕ ПРОДОВЖУЙТЕ використовувати акумуляторну батарею в таких умовах. Зарядіть батарею.
- Частково розряджену акумуляторну батарею можна заряджати без негативних наслідків для неї.

Встановлення та зняття акумуляторної батареї з інструменту

Увага! Переконайтеся, що кнопка блокування вимикача задіяна. Це дозволить запобігти вмиканню реле перед зняттям або встановленням акумулятора.

ПРИМІТКА: Впевніться в тому, що акумулятор (б) повністю заряджений.

Приєднання акумулятора до рукоятки інструменту - рис. А

- Поставте акумулятор на направляючі, що знаходяться всередині рукоятки.
- Посуньте акумулятор вперед до упору; коли він стане на місце, Ви повинні почути характерне клацання.

Від'єднання акумулятора від інструменту - рис. В

- Натисніть кнопку вивільнення акумулятора (7) та з силою витягніть акумулятор з рукоятки інструменту.
- В зарядний пристрій акумулятор вставляйте так, як то описано у відповідному розділі цього документа.

ВИКОРИСТАННЯ

Пусковий вимикач та перемикач напрямку обертання – рис. С

- Щоб увімкнути або вимкнути дріль, натисніть та відпустіть пусковий вимикач (1), що показаний на рис. С. Швидкість обертання дрілю збільшується з посиленням натискання на вимикач.
- Перемикач напрямку обертання (2) визначає напрямок обертання, а також виконує функцію кнопки розблокування.
- Щоб вибрати прямий напрямок обертання, відпустіть пусковий вимикач і натисніть перемикач напрямку обертання з правого боку дрілю.
- Щоб вибрати зворотний напрямок обертання, натисніть перемикач напрямку обертання з лівої сторони дрілю.
- Центральне положення кнопки напрямку обертання блокує інструмент у вимкненому положенні. При зміні положення перемикача напрямку обертання необхідно слідкувати за тим, щоб пусковий вимикач був відпущений.

ВИКОРИСТАННЯ

Регулювання сили закручування – рис. D

Цей інструмент оснащений кільцем регулювання крутного моменту (3) для вибору режиму роботи та завдання крутного моменту для затягування шурупів. Для великих шурупів і деталей з твердих матеріалів необхідно збільшувати крутний момент у порівнянні з невеликими шурупами і деталями з м'яких матеріалів.

- Для виконання свердління дерева, металів і пластмас встановіть кільце в положення свердління.
- Для закручування шурупів встановіть необхідне налаштування кільця. Якщо ви ще не знаєте, яке налаштування вам встановити, виконайте такі дії:
- встановіть кільце в положення мінімального крутного моменту;
- закрутіть перший шуруп;
- якщо почнуться переривчасті рухи патрона до того, як шуруп буде повністю закручений, збільште налаштування крутного моменту і продовжуйте закручувати шуруп;

- повторюйте ці дії доти, доки не буде знайдено необхідне налаштування;
- використовуйте це налаштування для закручування інших шурупів.

Двобічний перемикач швидкостей обертання – рис. Е

Цей перемикач дозволяє вибирати швидкість обертання для підвищення функціональності.

- Щоб вибрати низьку швидкість із високим крутним моментом, (положення 1), вимкніть інструмент і дочекайтеся його зупинки. Переведіть перемикач (4) в бік задньої частини інструмента.
- Щоб вибрати високу швидкість із низьким крутним моментом, (положення 2), вимкніть інструмент і дочекайтеся його зупинки. Переведіть перемикач в бік передньої частини інструмента.

Примітка: не перемикайте швидкості під час обертання інструменту. У разі виникнення проблем із перемиканням швидкостей переконайтеся, що перемикач встановлений у крайнє переднє або заднє положення.

Безключовий патрон – рис. F

Увага! Перед установкою або зняттям аксесуарів зніміть акумуляторну батарею.

Щоб встановити свердло або інший аксесуар:

- утримуйте патрон (5) рукою та обертайте його проти годинникової стрілки, якщо дивитися ззаду інструмента;
- вставте свердло або інший аксесуар і затягніть патрон за годинниковою стрілкою, якщо дивитися ззаду інструмента, із зусиллям.

Увага! Не намагайтеся затягнути або послабити свердло (аксесуар) шляхом тримання патрона і вмикання інструмента. Це може призвести до пошкодження патрона та травмування.

Закручування ґвинтів

- Для закручування ґвинтів перемикач напрямків обертання повинен бути натиснутий в ліву сторону.
- Для викручування ґвинтів перемикач напрямків обертання повинен бути натиснутий в ліву сторону (зворотнє обертання).

Примітка: перш ніж задіяти перемикач напрямків обертання, обов'язково відпустіть пусковий вимикач.

Свердління

- Використовуйте лише гострі свердла.
- Забезпечте належну підтримку та фіксацію робочої деталі, як це вказано в Правилах та вказівках з техніки безпеки.
- Використовуйте належне й необхідне захисне обладнання, як це вказано в Правилах та вказівках з техніки безпеки.

- Забезпечте належне обладнання місця виконання робіт, як це вказано в Правилах та вказівках з техніки безпеки.
- Починайте свердління з малих обертів та слабкого натискання, доки отвір не буде розсвердлений достатньо, щоб свердло не вислизало з нього.
- Прикладайте зусилля вздовж осі обертання свердла. Застосуйте достатній тиск для свердління, але не настільки, щоб двигун зупинився або свердло змістилося.
- Тримайте дріль міцно двома руками, однією рукою за ручку, а іншою за задню частину навколо батареї або за допоміжну рукоятку (якщо передбачена).
- **НЕ НАМАГАЙТЕСЯ ЗВІЛЬНИТИ ЗАТИСНЕНЕ СВЕРДЛО ШЛЯХОМ ВИМКАННЯ/ВИМИКАННЯ ДРИЛЮ! ЦЕ МОЖЕ ПРИЗВЕСТИ ДО ПОШКОДЖЕННЯ ДРИЛЮ!**
- Щоб запобігти затисненню свердла наприкінці наскрізного свердління, зменшуйте тиск та швидкість перед виходом свердла з протилежної сторони отвору.
- Не зупиняйте свердло при витяганні його з просвердленого отвору. Це попередить його затискання.
- Переконайтеся, що вимикач вмикає і вимикає дріль.

Свердління деревини

Отвори в деревині можна робити спіральними свердлами для металу або перовими свердлами. Свердла мають бути гострими. Під час свердління свердло слід часто витягати, щоб видалити стружку.

Свердління металу

Використовуйте змащувально-охолоджувальну рідину при свердлінні металів. Виняток становлять чавун і латунь, які слід свердлити сухими. Найкраще застосовувати сульфовані змащувально-охолоджувальні рідини.

Світлодіод робочого освітлення

При натисканні пускового вмикача (1), вбудований світлодіод (8) автоматично вмикається для підсвічування місця виконання робіт.

Примітка: світлодіод призначений для освітлення безпосередньо робочої поверхні і не призначений для використання в якості ліхтарика.

Тримач для насадок

В нижній частині інструмента передбачений тримач для насадок (9).

Пошук та усунення несправностей

Проблема	Можлива причина	Можливі рішення
Інструмент не вмикається.	Акумуляторна батарея встановлена неправильно. Акумуляторна батарея не заряджена.	Перевірити правильність встановлення акумуляторної батареї Перевірити зарядку акумуляторної батареї
Інструмент вмикається відразу після вставляння акумуляторної батареї	Вимикач залишений у положенні «ввімкнено».	Переведіть вимикач у положення «вимкнено», щоб запобігти вмиканню інструменту після встановлення акумуляторної батареї.
Акумуляторна батарея не заряджається.	Акумуляторна батарея не вставлена у зарядний пристрій належним чином. Зарядний пристрій не підключений до джерела живлення. Температура навколишнього середовища занадто висока або занадто низька.	Вставте акумуляторну батарею в зарядний пристрій правильно, щоб засвітився світлодіод. Вставте вилку в розетку, що має струм. Перемістіть зарядний пристрій і акумулятор до приміщення з температурою навколишнього повітря вище 4,5 °C або нижче + 40,5 °C
Інструмент різко вмикається.	Акумуляторна батарея досягла граничної температури. Акумуляторна батарея розряджена. Щоб максимально продовжити термін служби батареї, вона вмикається автоматично при розряджанні.	Дайте акумуляторній батареї висигнути. Зарядьте акумуляторну батарею за допомогою зарядного пристрою.

ТЕХНІЧНЕ ОБСЛУГОВУВАННЯ

Конструкція інструмента Stanley розрахована на роботу протягом тривалого періоду часу з мінімальним технічним обслуговуванням. Належний догляд і регулярне чищення – запорука тривалої задовільної роботи інструмента.

Крім періодичної очистки, ваш зарядний пристрій не вимагає інших операцій технічного обслуговування.

Увага! Перед виконанням будь-яких дій з технічного обслуговування інструменту, дістаньте з нього акумуляторну батарею. Перед проведенням очищення зарядного пристрою вийміть його штепсельну вилку з розетки.

- Регулярно очищуйте вентиляційні прорізи в інструменті і зарядному пристрої за допомогою м'якої щітки або сухої тканини.
- Регулярно очищуйте корпус двигуна за допомогою вологої тканини. Не використовуйте для очищення абразивні матеріали та засоби очищення на основі розчинників.
- Регулярно розкривайте і вибивайте затискний патрон для видалення пилу з його внутрішньої частини.

Захист навколишнього середовища

Окреме збирання. Цей продукт не можна викидати разом зі звичайним побутовим сміттям.

Якщо якимось ви вирішите, що ваш виріб фірми STANLEY має бути замінено, або він вам більше не потрібний, не викидайте його на смітник побутового сміття. Зробіть цей виріб доступним для спеціального збирання.



Компанія STANLEY має можливість для збору та переробки продуктів власного виробництва після закінчення їхнього терміну служби. Щоб скористатися цією послугою, поверніть виріб компанії в офіційний сервісний центр, які збирають відпрацьовані продукти за наш рахунок.

Ви можете знайти місцезнаходження найближчого до Вас сервісного центру, зв'язавшись з місцевим офісом компанії STANLEY за адресою, вказаною в цих інструкціях. Крім того, список офіційних сервісних центрів компанії STANLEY з усіма подробицями нашого післяпродажного обслуговування та контактної інформацією міститься в Інтернеті за адресою: www.2helpU.com

АКУМУЛЯТОРИ

Акумулятори, вироблені компанією «СТЕНЛ» є виробами багаторазового використання. Після того, як термін використання акумулятору закінчився, утилізуйте його з урахуванням вимог щодо охорони оточуючого середовища:

- Повністю розрядіть акумулятор та від'єднайте його від інструменту.
- Нікель-кадмієві, нікель-металгібридні та літій-іонні акумулятори можуть направлятися на переробку. Передавайте їх уповноваженим службам з ремонту або на місцеві пункти переробки.

Примітка

Одним із принципів політики STANLEY є постійне вдосконалення наших продуктів, тому ми залишаємо за собою право змінювати характеристики наших продуктів без попереднього сповіщення. Перелік стандартного та додаткового обладнання може відрізнятися в залежності від країни. Технічні характеристики продукту в різних країнах можуть відрізнятися. Повна лінійка продуктів може бути наявною не у всіх країнах. З питання наявності наших продуктів зверніться до дилерів STANLEY

ТЕХНІЧНІ ДАНІ

		SBD20
Напруга	Впост. Ст.	18 В
Швидкість холостого ходу	Хв-1	0–430/0–1700
Макс. момент обертання	Нм	55
Найбільший діаметр свердла в патроні	мм	13
Найбільший діаметр свердління		
Сталь / дерево	мм	13/35
Вага	кг	1,5

Зарядний пристрій		SC201	SC202
Вхідна напруга	Взм.ст.	220-240	220-240
Вихідна напруга	Впост. ст.	18	18
Струм	мА	1000	2000
Приблиз. час зарядки	хв.	80–240	40-120

Акумуляторна батарея		SB20C	SB20S	SB20D	SB20M
Напруга	Взм.ст.	18	18	18	18
Ємність	А год	1,3	1,5	2,0	4,0
Тип		літій-іонна	літій-іонна	літій-іонна	літій-іонна

ІНФОРМАЦІЯ СТОСОВНО ОБСЛУГОВУВАННЯ

Компанія «СТЕНЛ» має мережу власних сервісних центрів та уповноважених органів з обслуговування інструментів. Всі сервісні організації компанії «СТЕНЛ» укомплектовані кваліфікованим персоналом, який надає покупцям послуги з ефективного та надійного обслуговування електроінструменту. Для того, щоб отримати додаткову інформацію про наші уповноважені сервісні центри, а також, якщо Вам потрібна порада з технічних питань, ремонт або виготовлені нашою компанією запасні частини, зв'яжіться з найближчим представництвом компанії «СТЕНЛ».

STANLEY

Гарантійні умови

Шановний покупець!

1. Вітаємо Вас з покупкою високоякісного виробу STANLEY і висловлюємо вдячність за Ваш вибір.
2. При покупці виробу вимагайте перевірки його комплектності і справності у Вашій присутності, інструкцію з експлуатації та заповнений гарантійний талон українською мовою

В гарантійному талоні повинні бути внесені: модель, дата продажу, серійний номер, дата виробництва інструменту; назва, печатка і підпис торгової організації. За відсутності у Вас правильно заповненого гарантійного талону, а також при невідповідності зазначених у ньому даних ми будемо змушені відхилити Ваші претензії щодо якості даного виробу.

3. Щоб уникнути непорозумінь, переконливо просимо Вас перед початком роботи з виробом уважно ознайомитися з інструкцією з його експлуатації. Правовою основою справжніх гарантійних умов є чинне Законодавство. Гарантійний термін на даний виріб складає 24 місяці і обчислюється з дня продажу. У разі усунення недоліків виробу, гарантійний строк продовжується на період його перебування в ремонті. Термін служби виробу становить 5 років з дня продажу.
4. У разі виникнення будь-яких проблем у процесі експлуатації виробу рекомендуємо Вам звертатися тільки в уповноважені сервісні центри STANLEY, адреси та телефони яких Ви зможете знайти в гарантійному талоні, на сайті www.2helpU.com або дізнатися в магазині. Наші сервісні станції - це не тільки кваліфікований ремонт, але і широкий асортимент запчастин і аксесуарів.
5. Виробник рекомендує проводити періодичну перевірку і технічне обслуговування виробу в уповноважених сервісних центрах.
6. Наші гарантійні зобов'язання поширюються тільки на несправності, виявлені протягом гарантійного терміну і викликані дефектами виробництва та \ або матеріалів.
7. Гарантійні умови не поширюються на несправності виробу, що виникли в результаті:
 - 7.1 Недотримання користувачем приписів інструкції з експлуатації виробу, застосування виробу не за призначенням, неправильного зберігання, використання приладдя, витратних матеріалів і запчастин, що не передбачені виробником.
 - 7.2 Механічного пошкодження (відколю, тріщини і руйнування) внутрішніх і зовнішніх деталей виробу, основних і допоміжних рукояток, мережевого кабелю, що викликані зовнішнім ударним або будь-яким іншим впливом

- 7.3 Потрапляння у вентиляційні отвори та проникнення всередину виробу сторонніх предметів, матеріалів або речовин, що не є відходами, які супроводжують застосування виробу за призначенням, такими як: стружка, тирса, пісок, та ін.
- 7.4 Впливу на виріб несприятливих атмосферних і інших зовнішніх факторів, таких як дощ, сніг, підвищена вологість, нагрівання, агресивні середовища, невідповідність параметрів електромережі, що зазначені на інструменті.
- 7.5 Стихійного лиха. Пошкодження або втрати виробу, що пов'язані з непередбаченими лихами, стихійними явищами, у тому числі внаслідок дії непереборної сили (пожежа, блискавка, потоп і інші природні явища), а також внаслідок перепадів напруги в електромережі та іншими причинами, які знаходяться поза контролем виробника.
8. Гарантійні умови не поширюються:
 - 8.1. На інструменти, що піддавались розкриттю, ремонту або модифікації поза уповноваженим сервісним центром.
 - 8.2. На деталі, вузли та матеріали, що мають сліди природного зносу, такі як: приводні ремені і колеса, вугільні щітки, мастило, підшипники, зубчасті зчеплення редукторів, гумові ущільнення, сальники, направляючі ролики, муфти, вимикачі, бойки, штовхачі, стволу тощо.
 - 8.3. На змінні частини: патрони, цанги, затискові гайки і фланці, фільтри, акумуляторні батареї, ножі, шліфувальні підшви, ланцюги, зірочки, пильні шини, захисні кожухи, пилки, абразиви, пильні і абразивні диски, фрези, свердла, бури тощо
 - 8.4. На несправності, що виникли в результаті перевантаження інструменту (як механічного, так і електричного), що спричинили вихід з ладу одночасно двох і більше деталей і вузлів, таких як: ротора і статора, обох обмоток статора, веденої і ведучої шестерень редуктора або інших вузлів і деталей. До безумовних ознак перевантаження виробу відносяться, крім інших: поява кольорів мінливості, деформація або оплавлення деталей і вузлів виробу, потемніння або обуглювання ізоляції проводів електродвигуна під впливом високої температури.



Виробник:
 "Stanley Black & Decker Deutschland
 GmbH" Black-&-Decker Str.40, D-65110
 Idstein, Німеччина